

# MESSERSCHMITT Bf 109

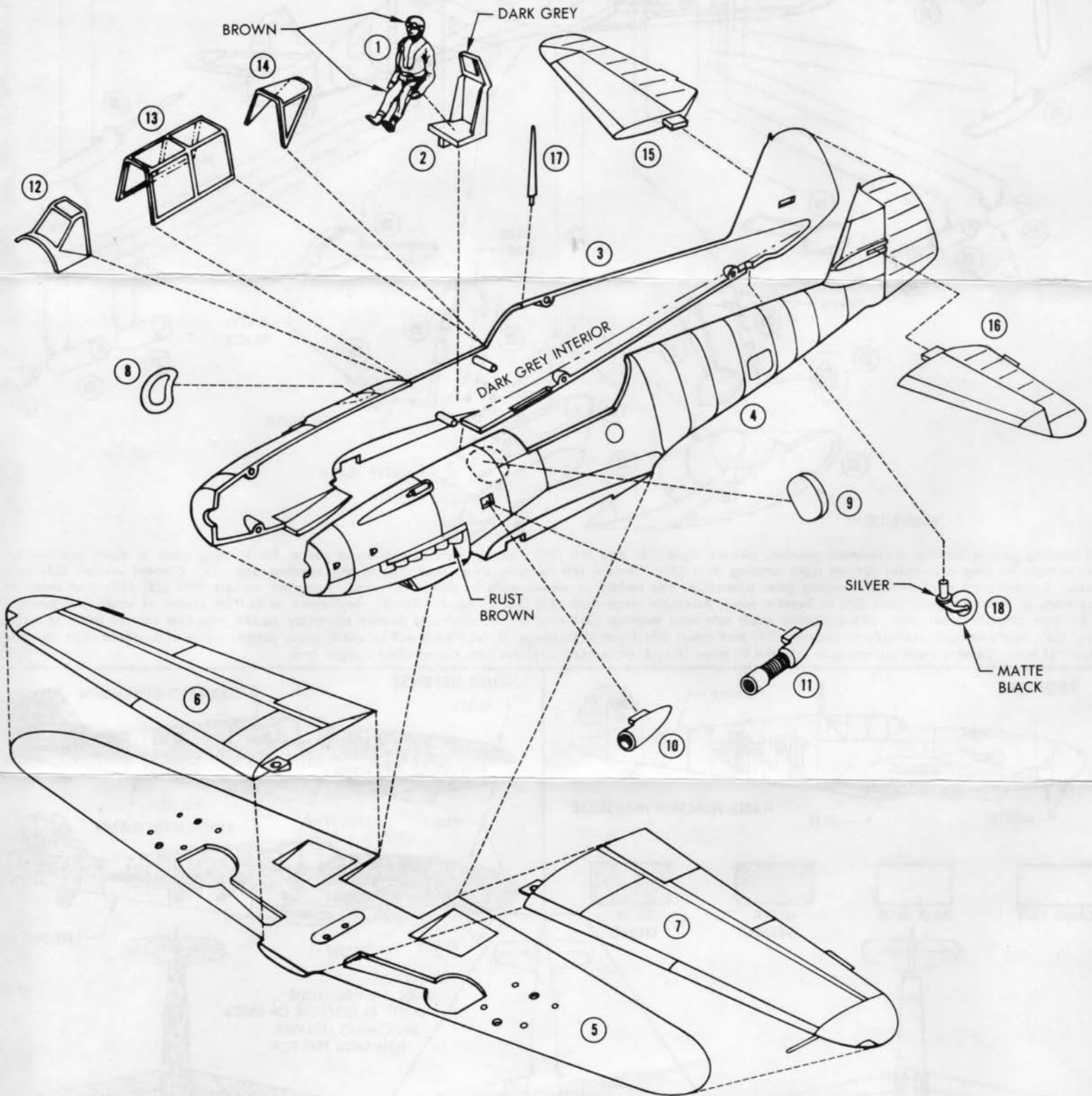
1/72 SCALE

# F OR G GUSTAV

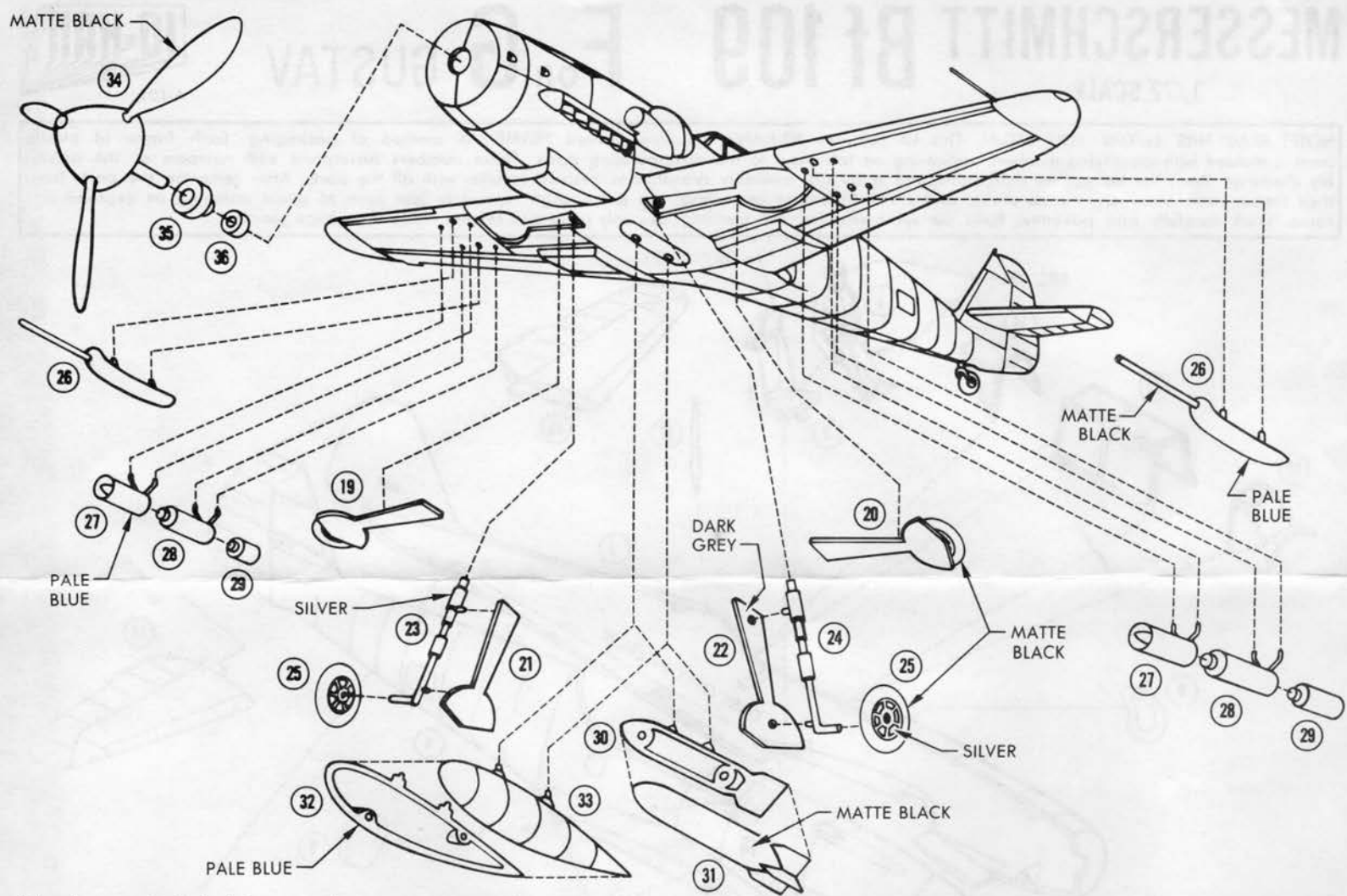


A-101

**NOTE! READ THIS BEFORE YOU BEGIN.** This kit features JO-HAN's exclusive stacked FRAME-PAK method of packaging. Each frame of plastic parts is molded with identifying numbers appearing on tabs next to the corresponding parts. These numbers correspond with numbers on the assembly drawings. Read the instructions thoroughly and study the assembly drawings to become familiar with all the parts. After removing the parts from their frames, trim away any excess plastic and check fit before cementing. Use just enough cement to join parts to avoid smearing on exposed surfaces. Work carefully and patiently. Build up sub-assemblies for painting. Use only paint and cement made for styrene plastic.



Decide whether to build the tropical F version or one of the G home fighter versions. For overall painting suggestions and decal application refer to back side. Cement pilot (1) to seat (2). Let dry. Cement seat in position in fuselage half (3). If model will be mounted on clear stand, open blind slot at bottom of fuselage behind wing location. Cement fuselage halves (3) to (4). Open blind holes in bottom wing half for mounting right and left wing cannons (26) or right and left rocket assemblies (27) (28) (29) or drop tank (32) (33) or bomb (30) (31). Cement right top wing half (6) and left top wing half (7) to bottom wing half (5). Locate and cement wing assembly to bottom of fuselage assembly. If the G version is chosen, cement the gun fairings right (8) and left (9) and air filter (10) in position on fuselage. If building the F version cement the tropical air filter (11) in position. Cement the clear cockpit windshield (12), and clear rear canopy (14) in place. Cement clear hinged cockpit (13) in open or closed position. Apply cement to right stabilizer tab (15) and left stabilizer tab (16) and insert into openings in fuselage. Cement antenna mast (17) in place. Cement tailwheel unit (18) at bottom rear of fuselage.



If landing gear is desired in retracted position, cement right (19) and left (20) landing gear assemblies in place. For landing gear in down position, cement right landing strut cover (21) to right landing strut (23). Cement left landing strut cover (22) to left landing strut (24). Cement wheels (25) unto axles. Cement both right and left landing gear assemblies into sockets in wheel wells in bottom of wing. Assemble drop tank (32) (33) or bomb (30) (31) and insert at bottom center of wing. Slip bearing (35) over propeller (34) shaft. Slip propeller shaft retaining bushing (36) over end of shaft and cement sparingly, so the propeller rotates freely in bearing (35). Apply cement sparingly to bearing (35) and insert into front of fuselage. If clear base will be used, apply proper name of airplane from decal to front of base. Cement clear upright arm into slot in base. Attach or cement airplane onto top of clear upright arm.

