



E-2C Hawkeye French Navy Specials

The Northrop Grumman E-2 Hawkeye is an American all-weather, carrier-capable tactical airborne early warning (AEW) aircraft. This twin-turboprop aircraft was designed and developed during the late 1950s and early 1960s by the Grumman Aircraft Company for the United States Navy as a replacement for the earlier, piston-engined E-1 Tracer, which was rapidly becoming obsolete. The aircraft's performance has been upgraded with the E-2B and E-2C versions, where most of the changes were made to the radar and radio communications due to advances in electronic integrated circuits and other electronics.

The French Naval Aviation (Aeronavale) operates three E-2C Hawkeyes and has been the only operator of the E-2 Hawkeye from an aircraft carrier besides the U.S. Navy. The French nuclear-powered carrier, Charles de Gaulle, currently carries two E-2C Hawkeyes on her combat patrols offshore. The third French E-2C Hawkeye has been upgraded with eight-bladed propellers as part of the NP2000 program. In April 2007, France requested the purchase of an additional aircraft.

The Flottille 4F of the French Navy's Aeronavale was stood up on 2 July 2000 and flies its E-2C Hawkeyes from its naval air station at Lann-Bihoué, deploying to the Charles de Gaulle. They took part in operations in Afghanistan and Libya.

CAUTION

- *Read carefully and fully understand the instructions before commencing assembly.
- *Keep out of reach of children. Children must not be allowed to put any parts in their mouths, or pull plastic bag over their heads.
- *When using adhesives and paints, please make sure not to use them in closed room or near the fire.
- *When assembling this kit, tools including knives are used. Extra care should be taken to avoid injury.

WARNING: CONTAIN SMALL PARTS NOT FOR CHILDREN UNDER 14 YEARS OF AGE.



Drill



Remove



2 Set



Bend



Optional



Decal



Super Glue



Fill Hole



No Cement



Be Careful

TOOLS RECOMMENDED

Cement



Side Cutter



Modeling Knife



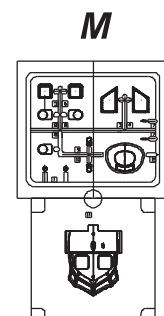
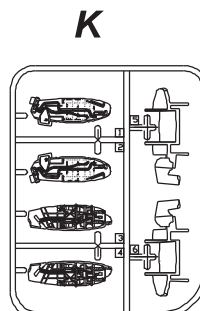
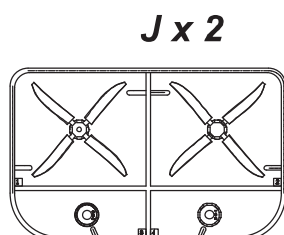
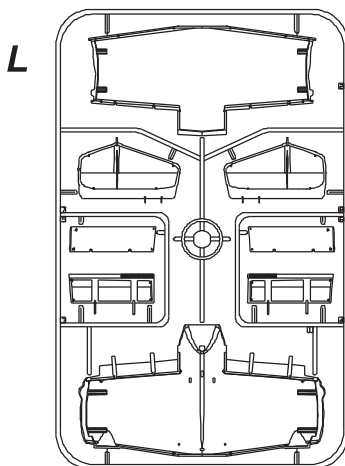
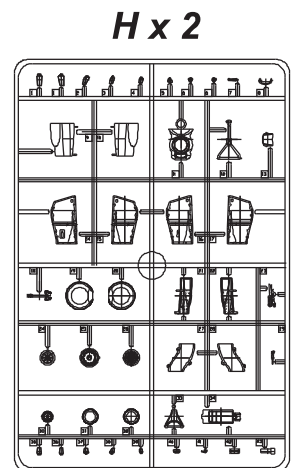
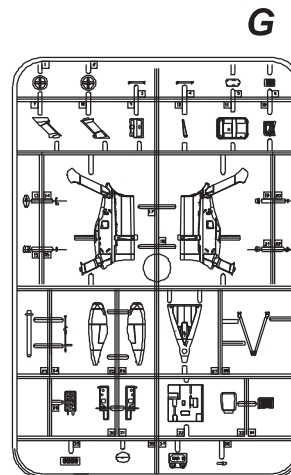
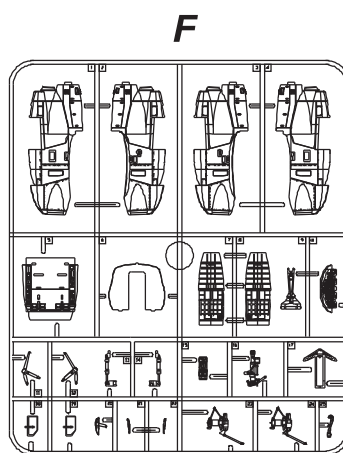
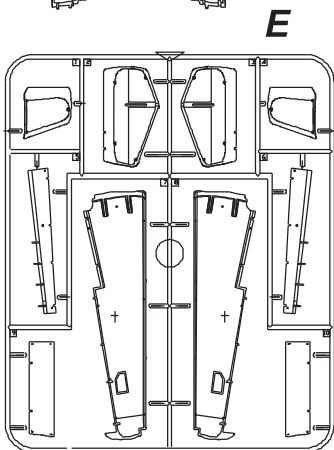
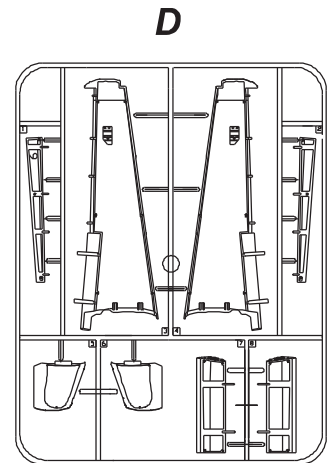
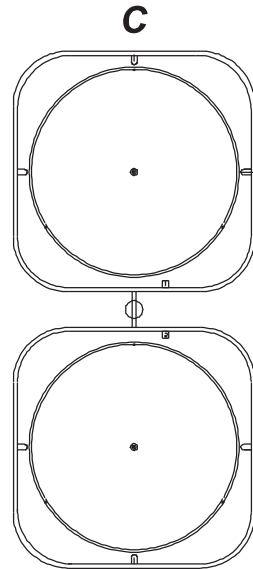
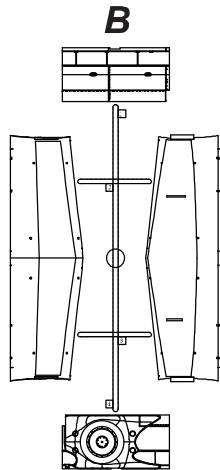
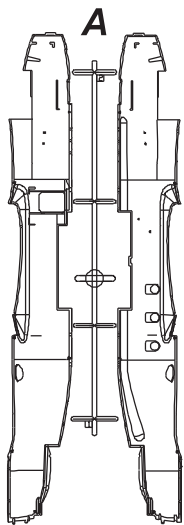
Tweezers



AFTERMARKET SERVICES CARD

When requesting replacement parts, please take or send this form to your local dealer so that the parts required can be correctly identified. Please note that specifications and availability are subject to change without notice. Or visit <http://www.kineticmodel.com> for latest information. For more information, please contact services@kineticmodel.com

Part Code	K48122	Qty	Item	Part Code	K48122	Qty	Item
00-101-001	Main body halves	1	A	03-101-48122		1	Manual
00-101-002	Tail wing halves and lower body covers	1	B	01-101-48122		1	Decal
00-101-003	Radar halves C1	1	C1	For Color Profile, please go to www.kineticmodel.com for download (type the kit# and go for manual/painting guide)			
00-101-004	Radar halves C2	1	C2				
00-101-005	Main wing parts	1	D				
00-101-006	Main wing parts	1	E				
00-101-007	Enigne parts	1	F				
00-101-008	Radar support and body parts G1	1	G				
00-101-009	Wheels, atenna and other small parts	2	H				
00-101-011	Eight bladed propeller	2	J				
00-101-012	Folded wing machanism	1	K				
00-101-013	Main wing middle parts	1	L				
00-101-014	Clear parts	1	M				

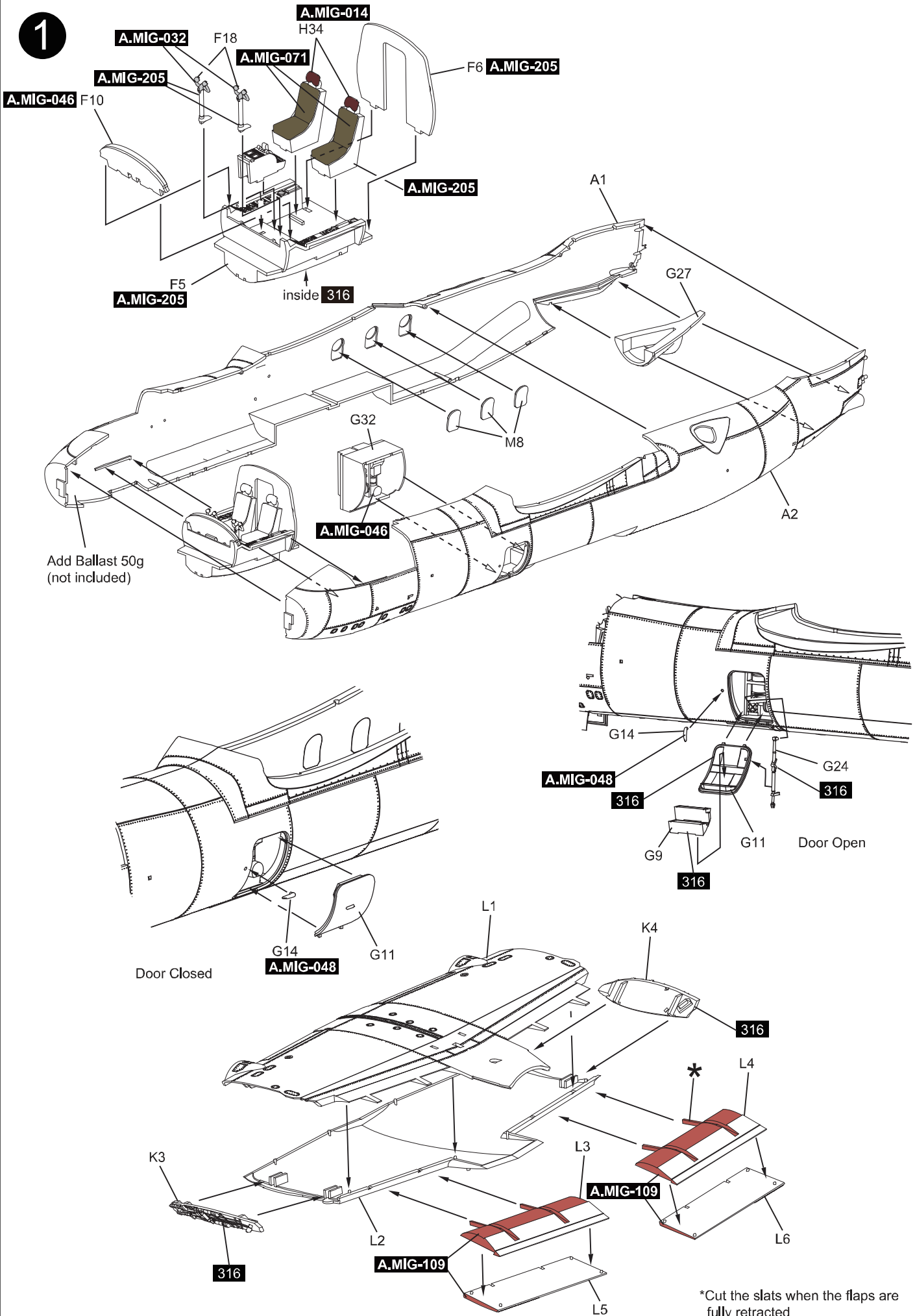




COLOR	AMMO MIG	VALLEJO MODEL COLOR	GSI CREOS MR. COLOR	TAMIYA ENAMEL/ACRYLIC	HUMBROL ENAMEL
RUBBER & TIRES	A.MIG-033	70.306	137	XF-85	-
MATT BLACK	A.MIG-046	71.057	33	XF-1	33
SATIN WHITE	A.MIG-047	70.842	1	X-2	22
YELLOW	A.MIG-048	71.002	4	XF-3	69
RED	A.MIG-049	71.003	3	XF-7	153
FRENCH BLUE	A.MIG-062	70.900	72	XF-18	-
CRYSTAL GREEN	A.MIG-092	70.936	138	X-25	-
CRYSTAL RED	A.MIG-093	70.934	47	X-27	220
BURNT IRON	A.MIG-187	71.073	61	XF-4	-
STEEL	A.MIG-191	70.864	28	-	27003
SILVER	A.MIG-195	71.063	8	X-11	11
RED FS11136	A.MIG-109	-	327	-	-
GARY FS 26231	A.MIG-205	71.051	317	-	27
GARY FS 36440	A.MIG-241	71.121	315	-	-
CRYSTAL SMOKE	A.MIG-095	-	101	-	-
ORANGE	A.MIG-129	71.083	59	-	-
ROTBRAUN	A.MIG-014	71.271	41	XF-64	-
SATIN BLACK	A.MIG-032	70.861	2/92	X-18	21
CRYSTAL ORANGE	A.MIG-097	71.935	49	-	-
KHAKI	A.MIG-071	71.136	55	XF-49	26
SCHWARTZGRUN	A.MIG-232	71.021	18	XF-27	-
FS336270	A.MIG-211	71.275	306	-	126
SEA BLUE	A.MIG-227	71.005	14	XF-50	-
MEDIUM GUNSHIP GARY	A.MIG-204	71.047	305	XF-77	-
WHITE FS17875	-	-	316	-	-

For Color Profile, please go to www.kineticmodel.com for download
(type the kit# and go for manual/painting guide)

1



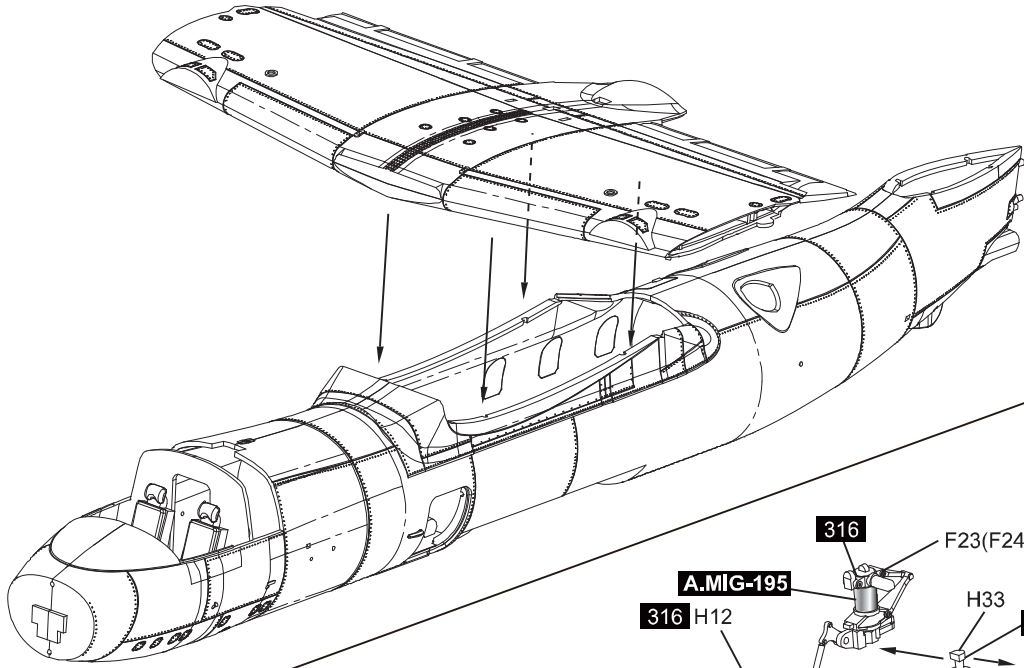
Add Ballast 50g (not included)

Door Closed

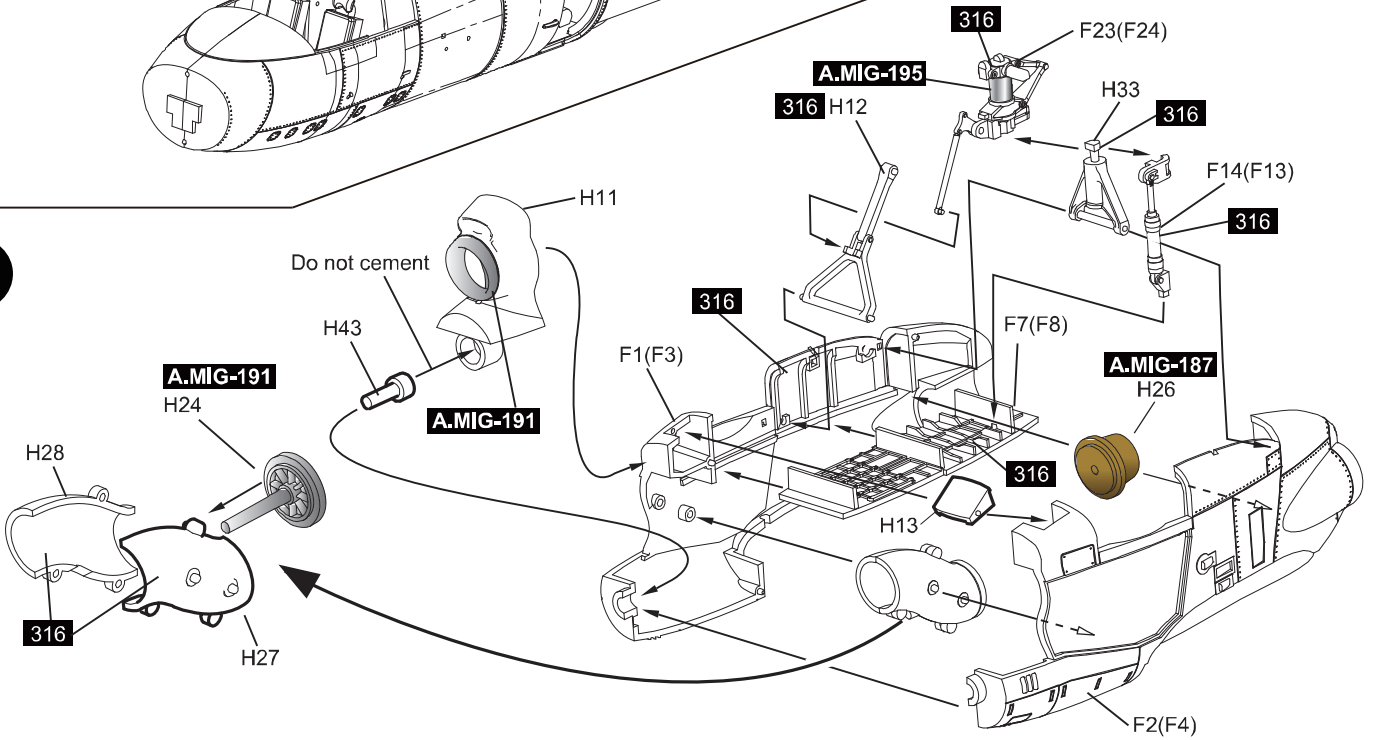
Door Open

*Cut the slats when the flaps are fully retracted

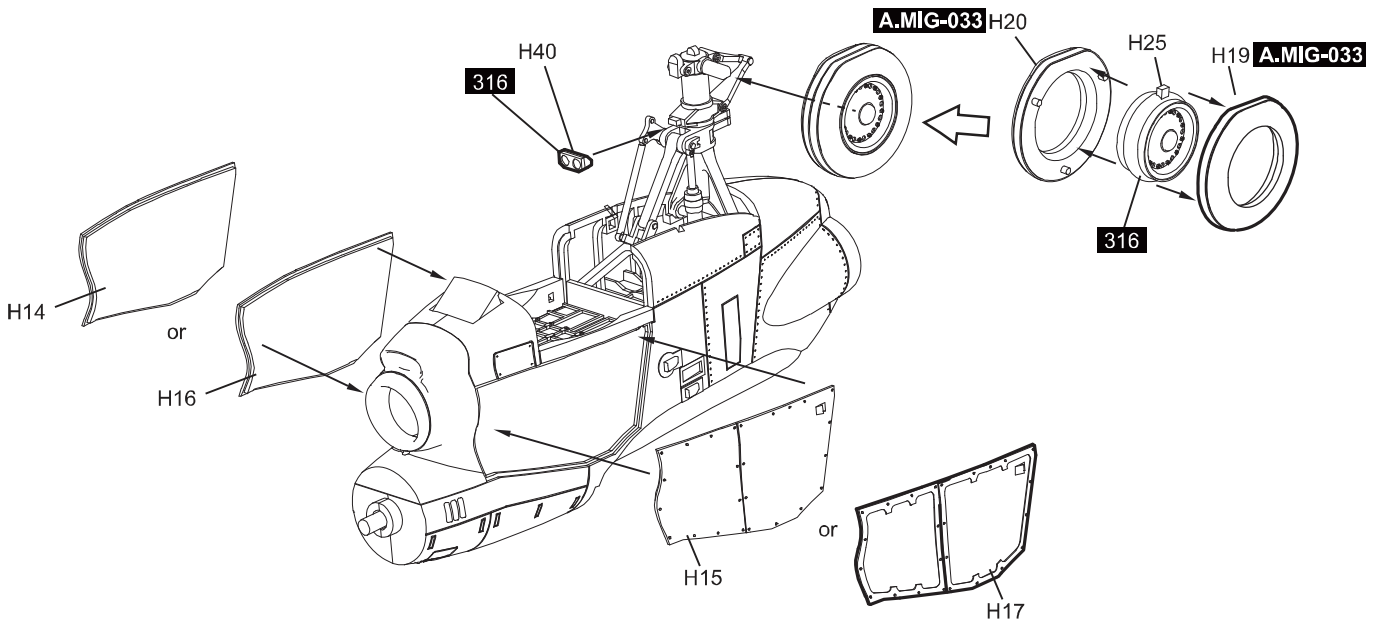
2



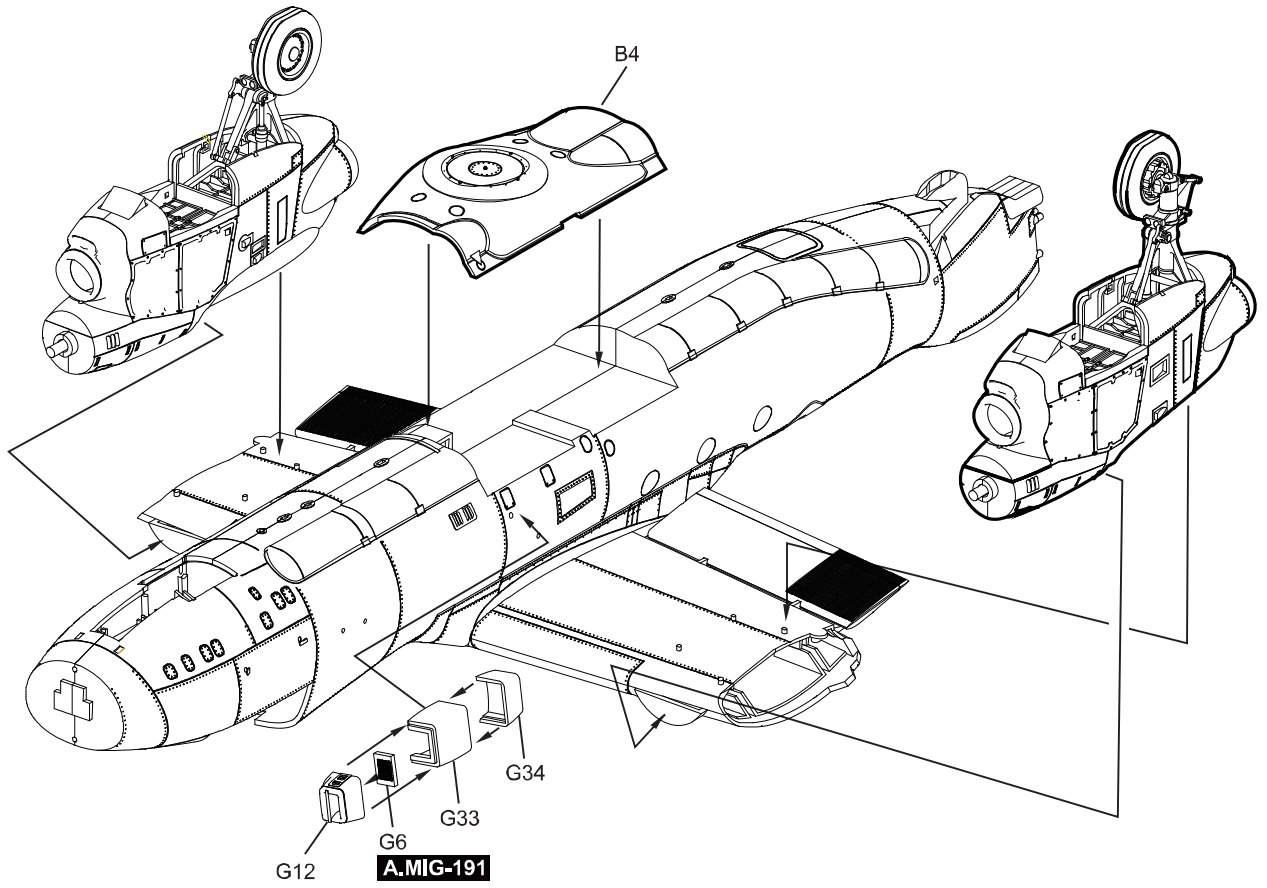
3



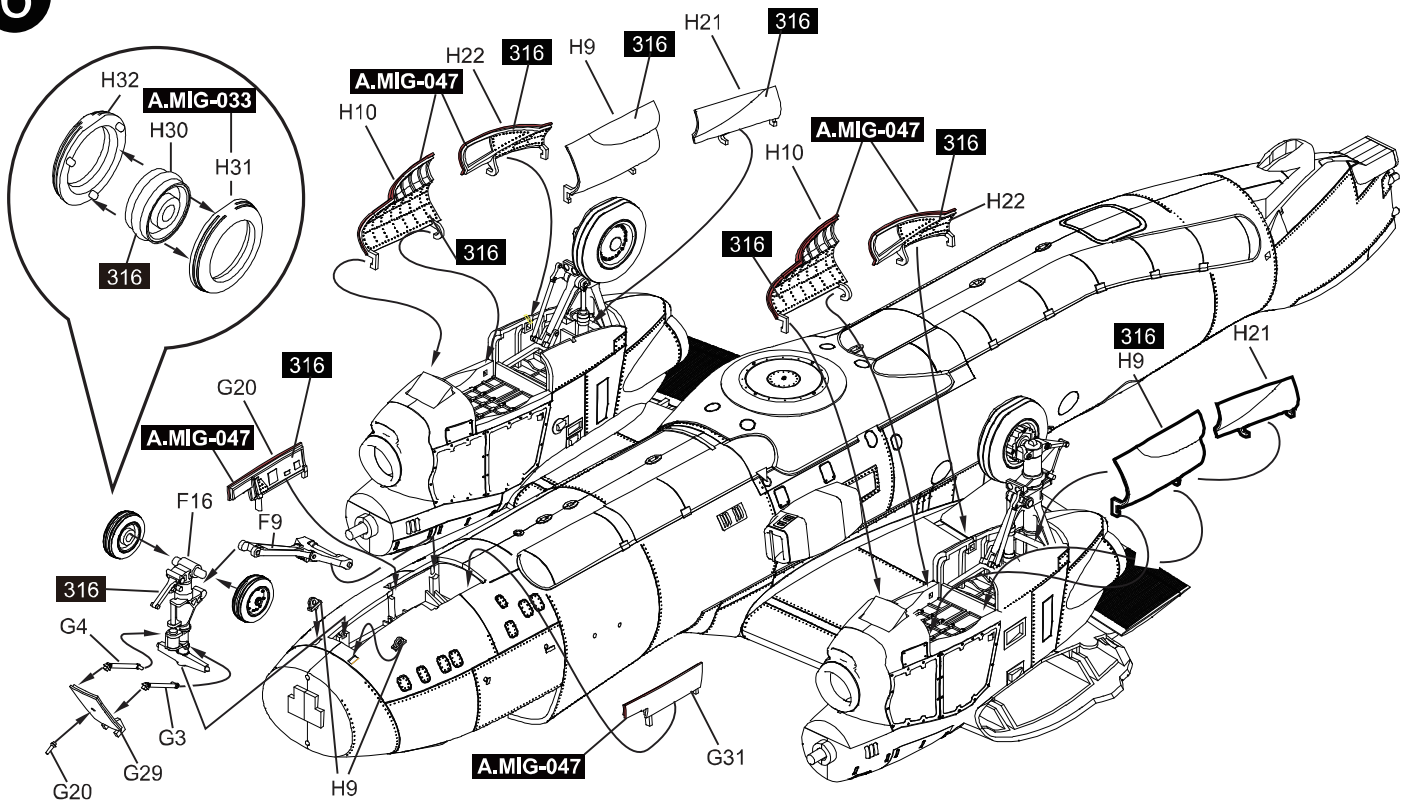
4



5

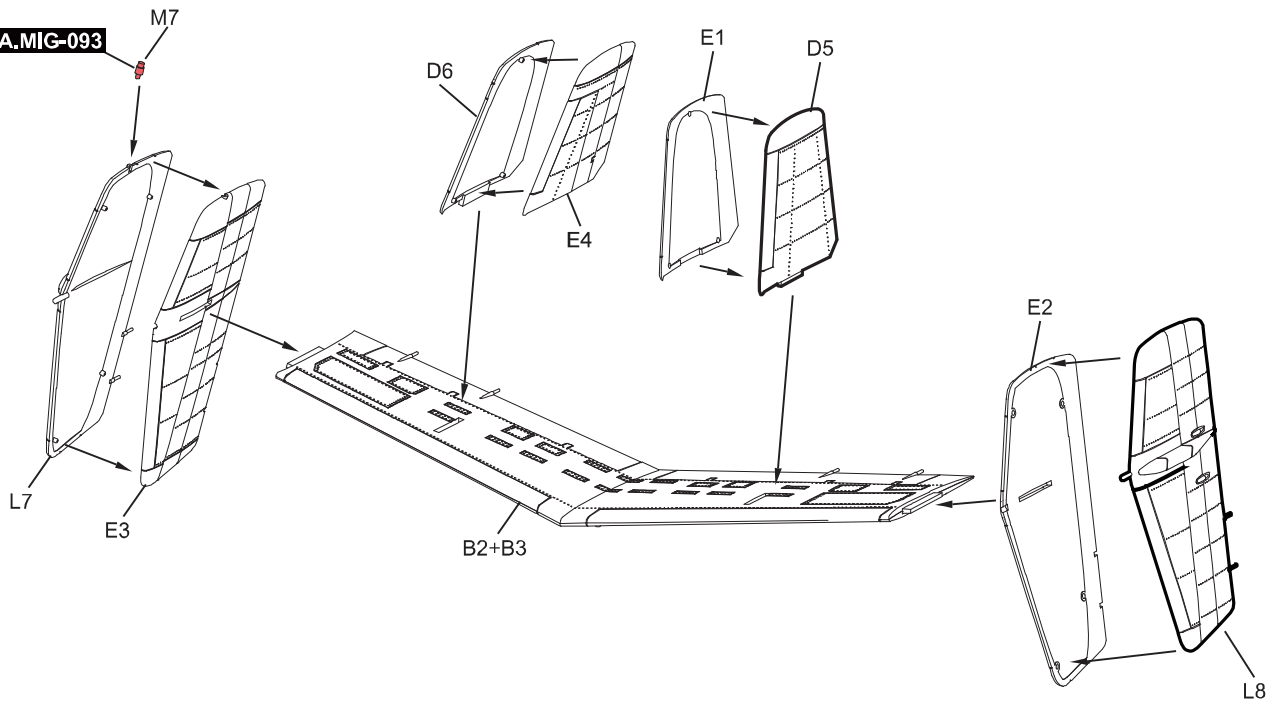


6

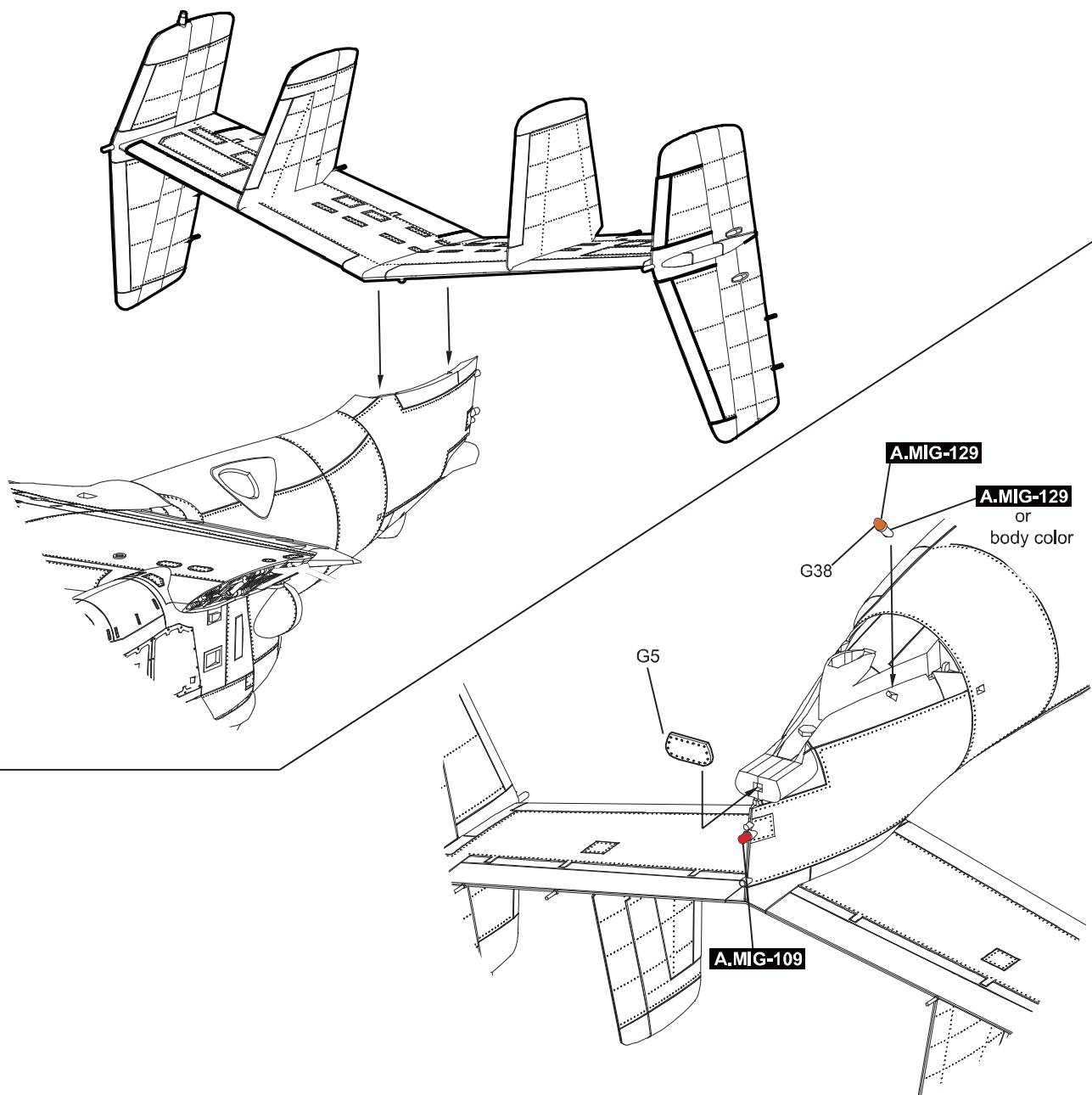


5

A.MIG-093

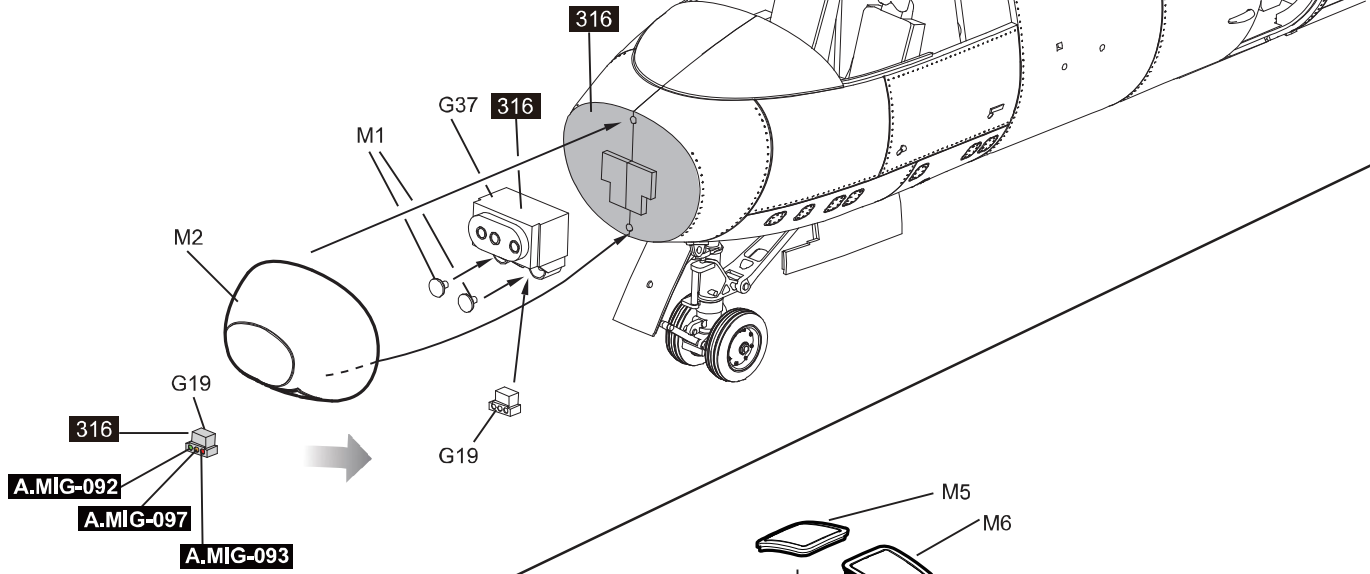


6

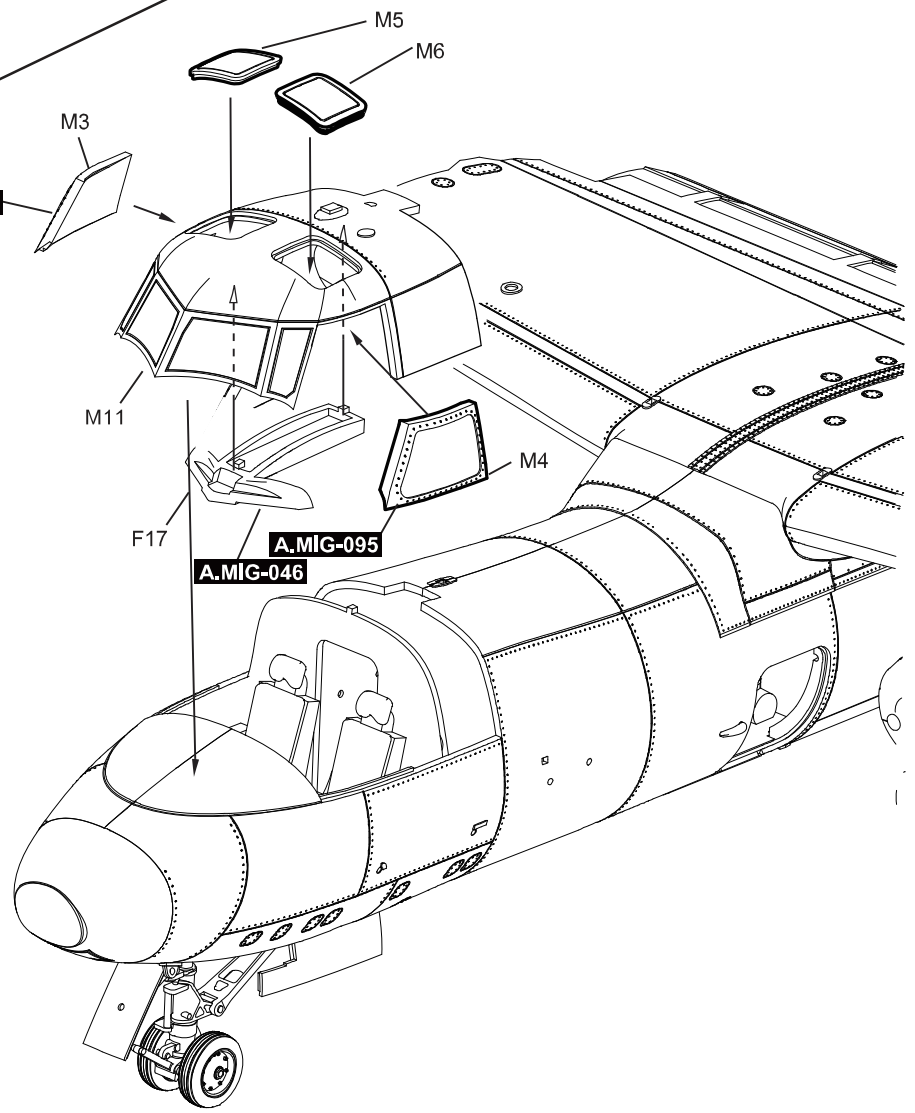
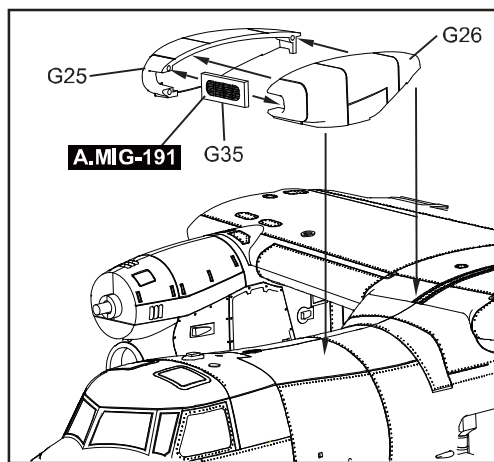


7

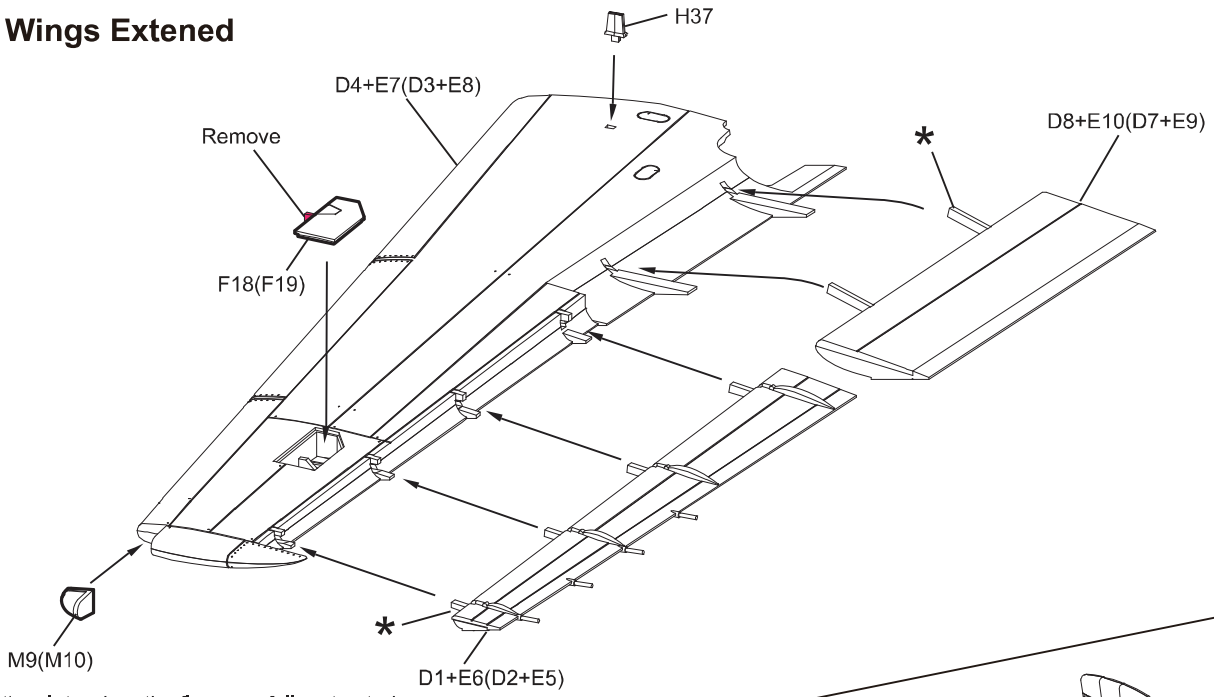
8



9

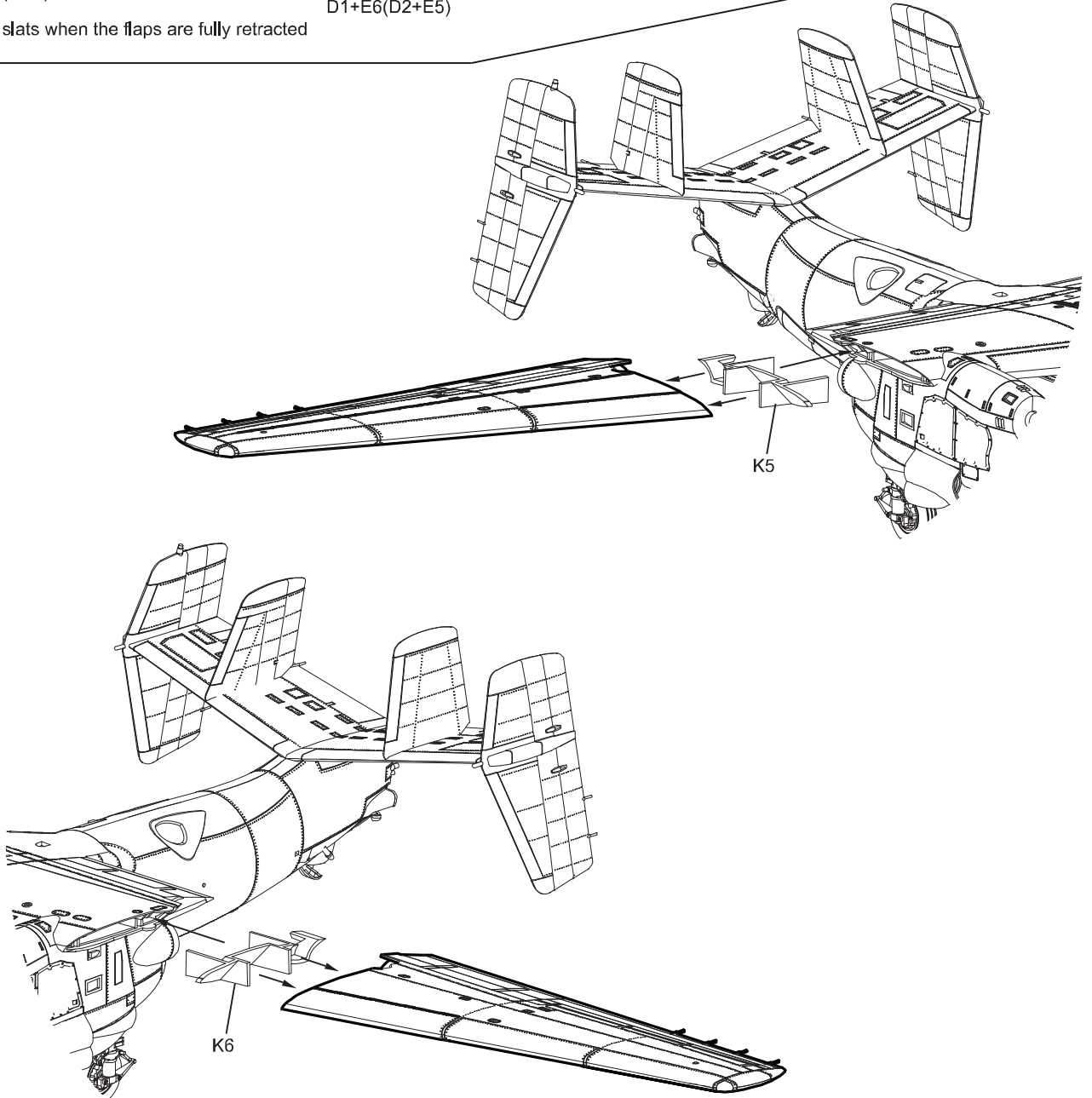


10 Wings Extended

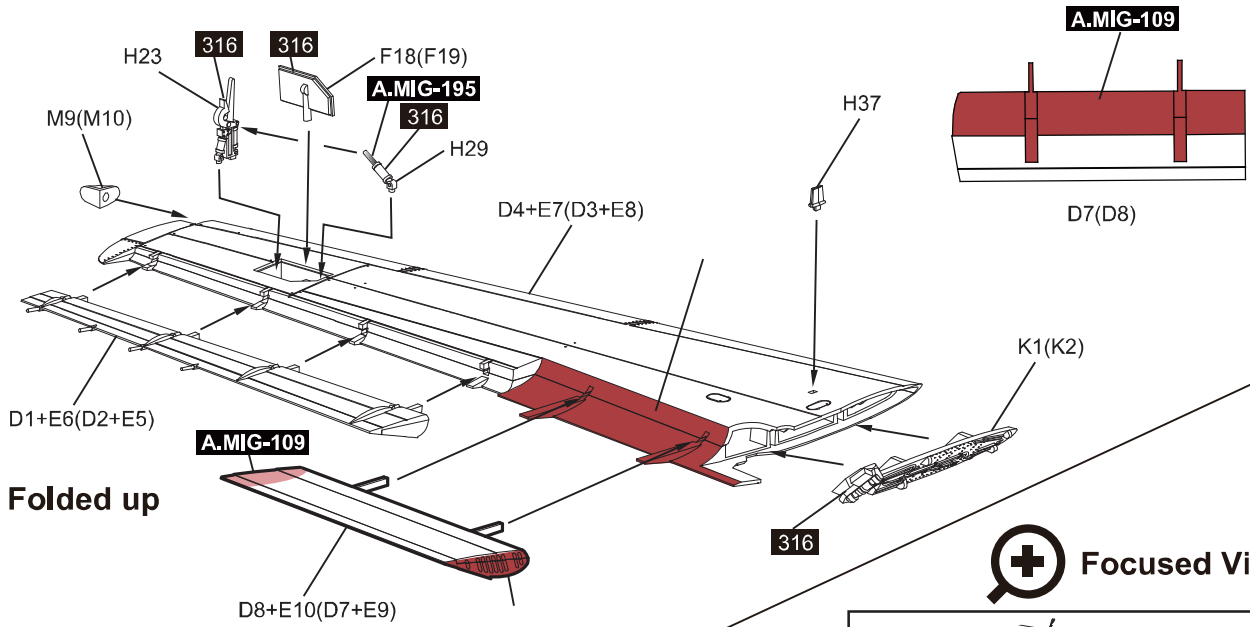


*Cut the slats when the flaps are fully retracted

11



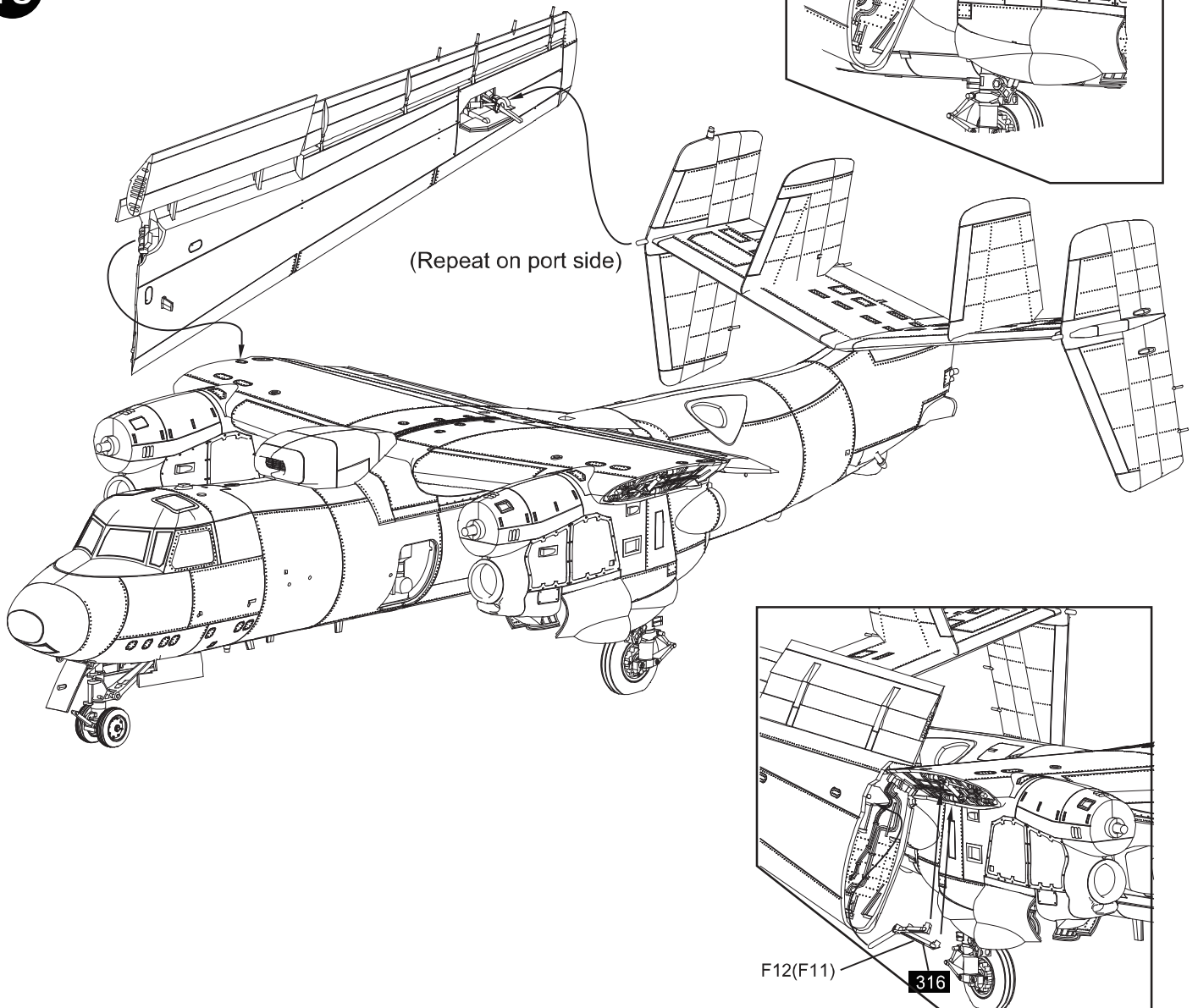
12



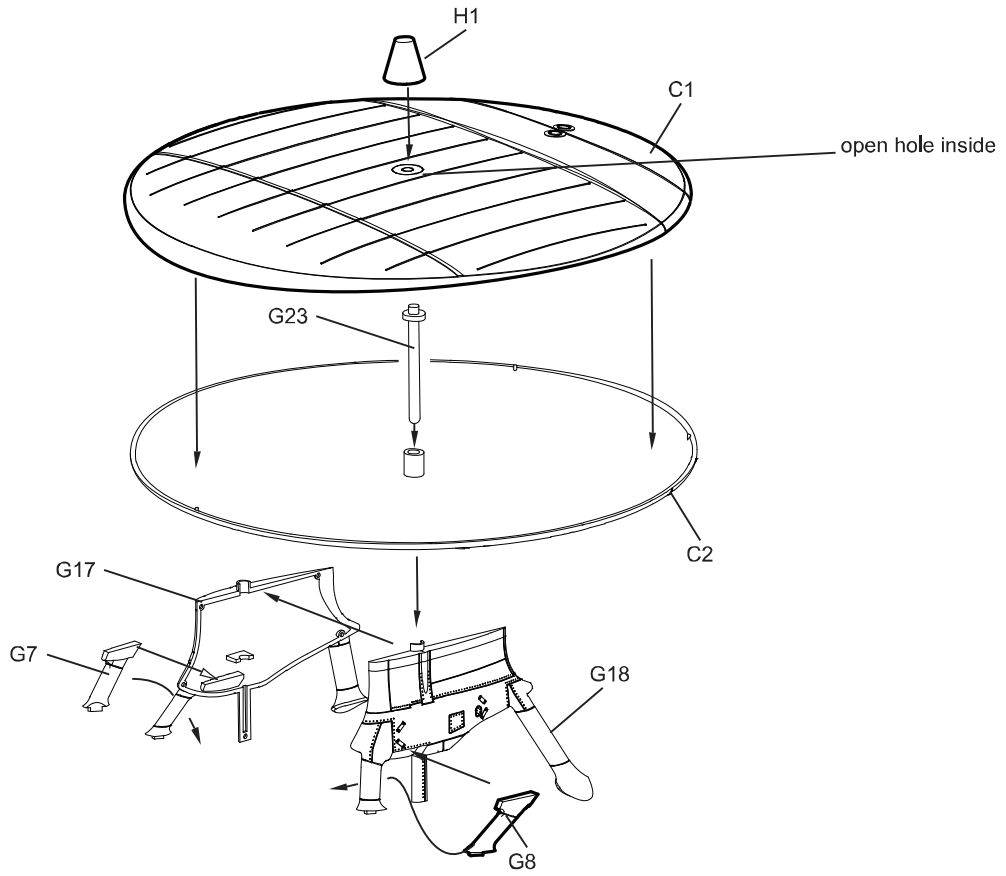
Wings Folded up

+ Focused View

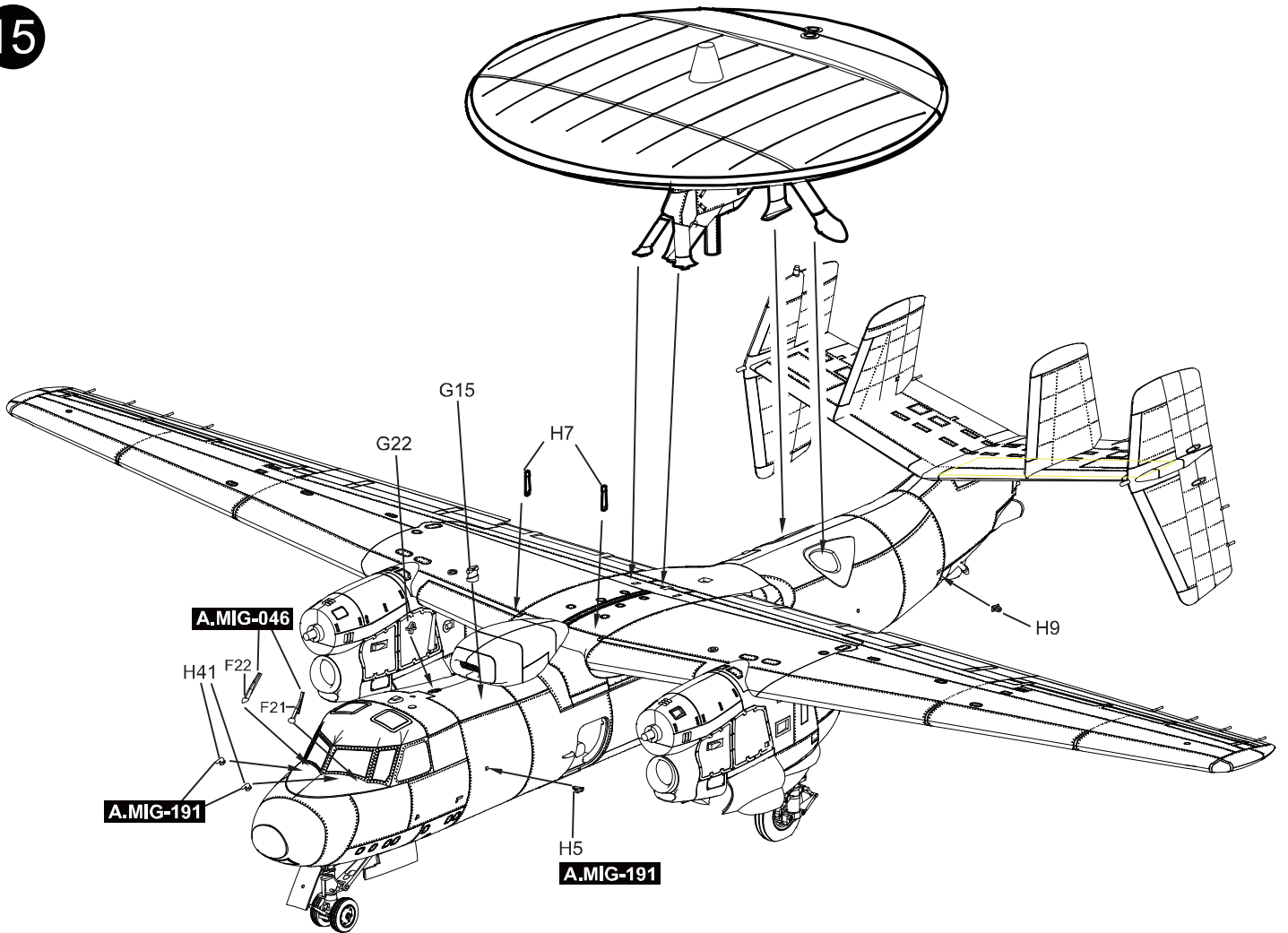
13



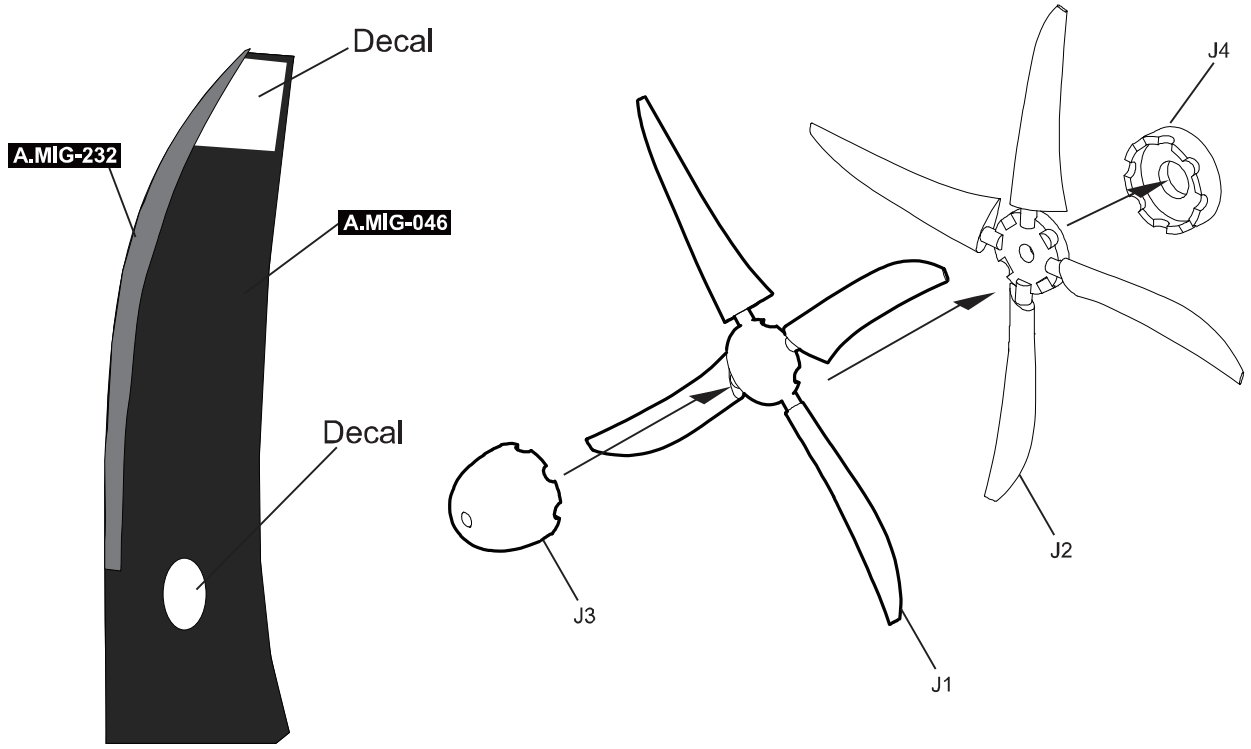
14



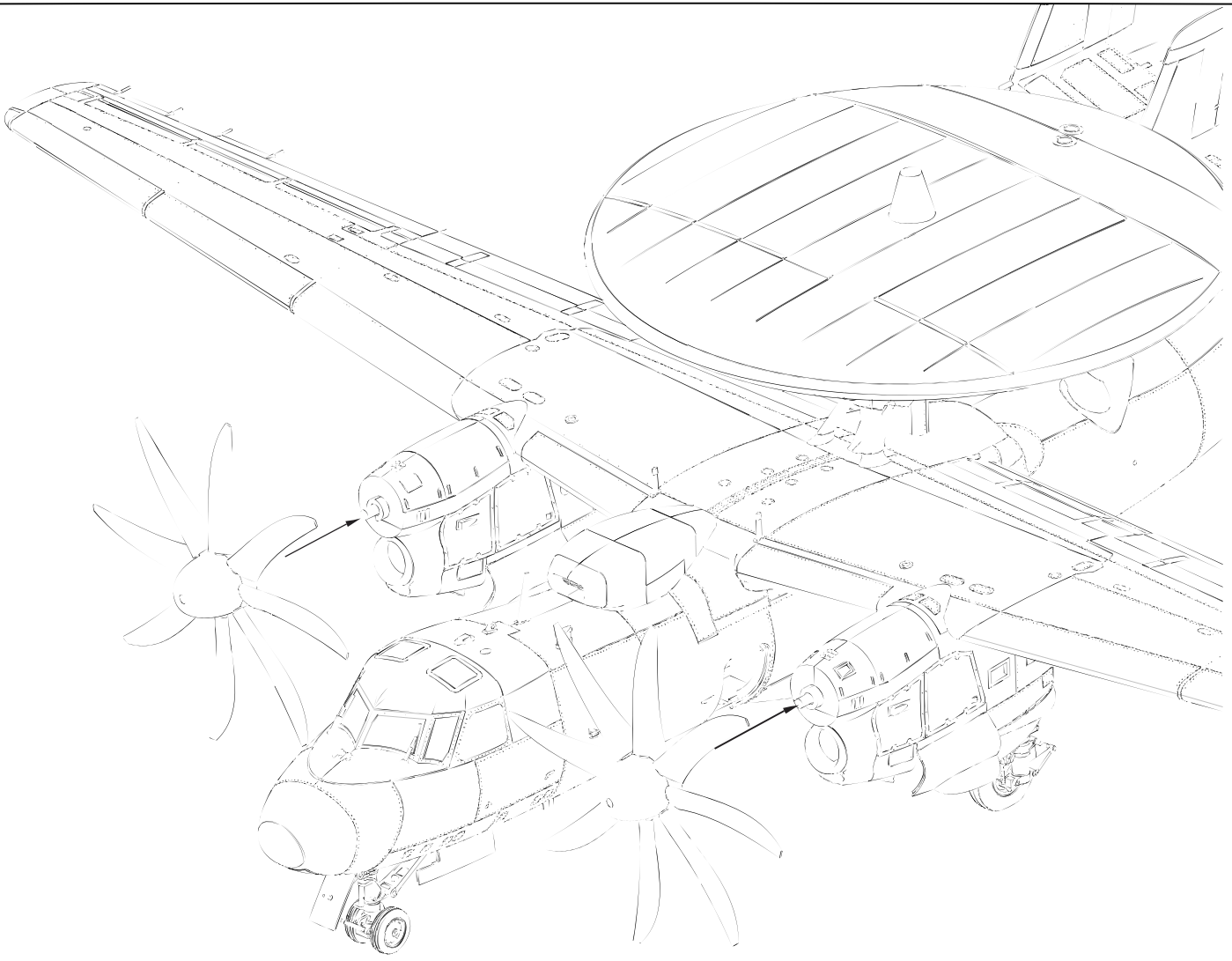
15

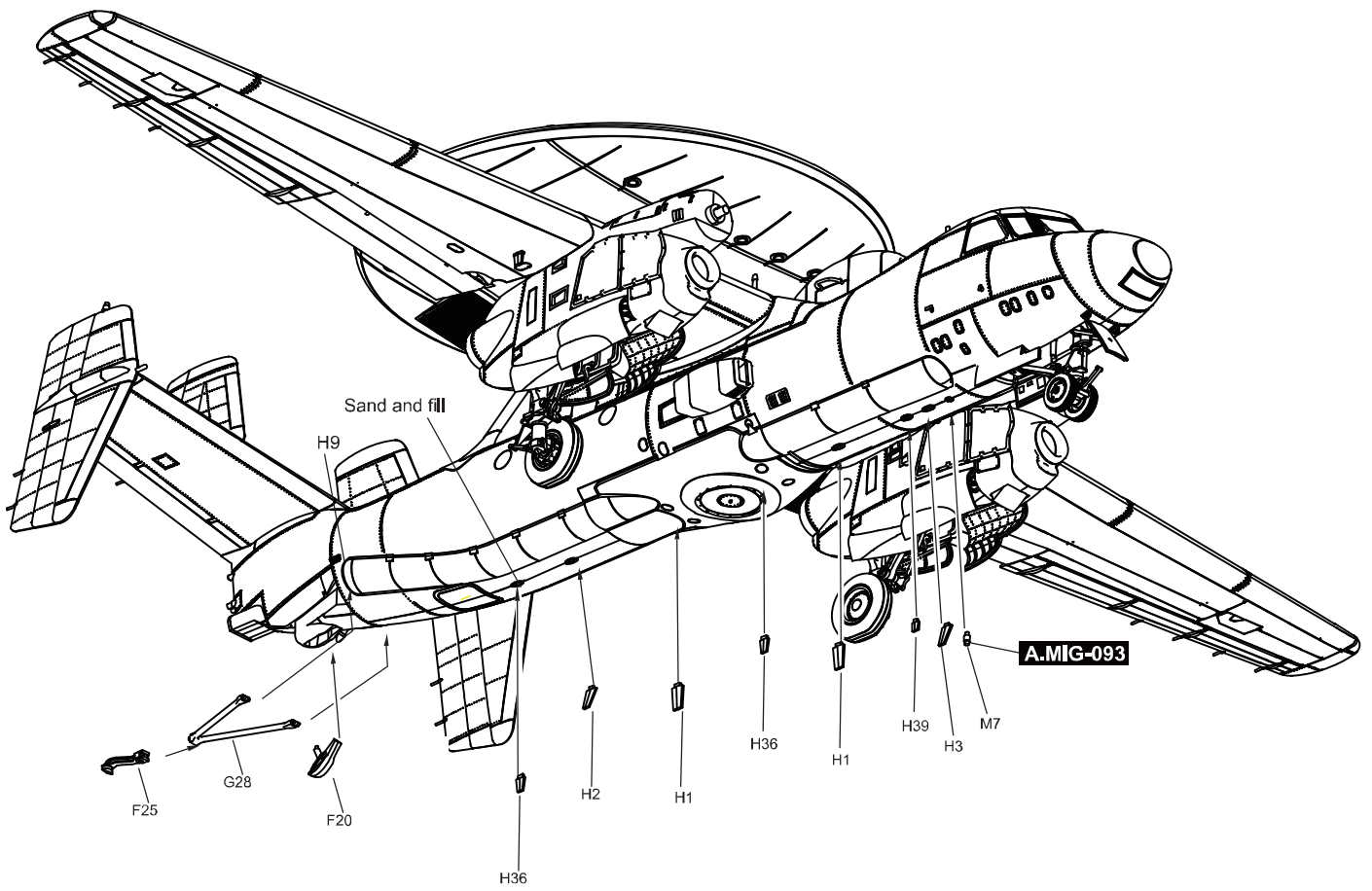


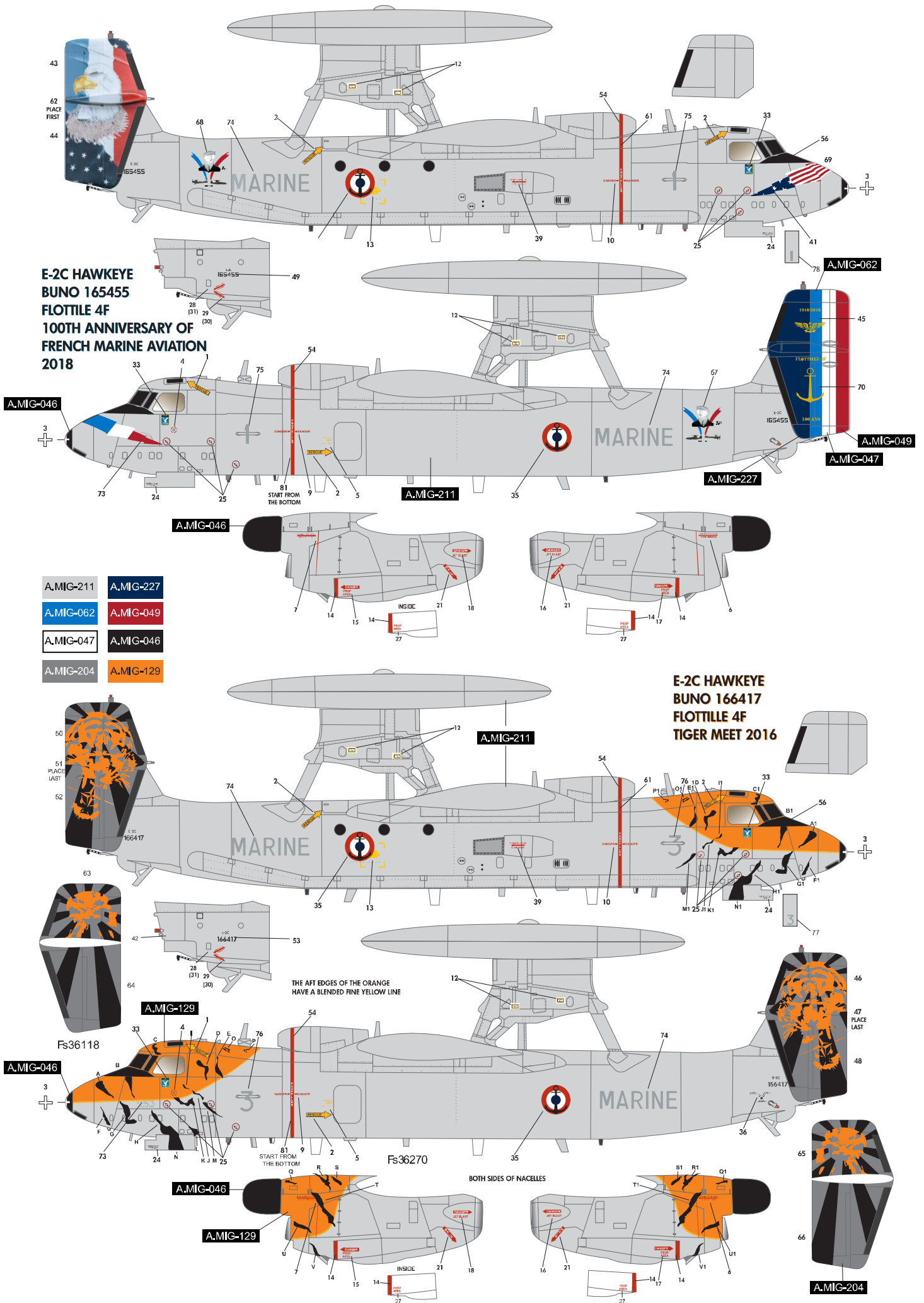
16



17







**E-2C HAWKEYE
BUNO 165455
FLOTILLE 4F
100TH ANNIVERSARY OF
FRENCH MARINE AVIATION
2018**

**E-2C HAWKEYE
BUNO 166417
FLOTILLE 4F
TIGER MEET 2016**

- A.MIG-211
- A.MIG-227
- A.MIG-062
- A.MIG-049
- A.MIG-047
- A.MIG-046
- A.MIG-204
- A.MIG-129

THE AFT EDGES OF THE ORANGE
HAVE A BLENDED FINE YELLOW LINE

BOTH SIDES OF NACELLES

