

Kampfpanzer LEOPARD

1/35 MILITARY MINIATURE

SERIES



Defeated in World War II, Imperial Germany completely collapsed and its territory was divided into two spheres, liberalist and communist. Then in 1955, West Germany was admitted to the Western European Alliance and the West German Defense Forces was re-established as a new member of the NATO powers.

As West Germany is adjacent to the communist sphere, problems on national defense was much thought of. To defend the border-line an armoured unit was established. The German techniques by which the Tiger, Panther and other excellent tanks were produced was suc-

ceeded by this Leopard tank that appeared in 1961 in West Germany. Leopard also has the name of 'Standard Panther'. It was prototyped in 1961 and 1962 and was formally adopted by the West German Army in 1963, prior to the adoption of the French A.M.X. 30. In 1964, the West German Army placed an order for 1,400 of this tank and the first tank, mass produced, was delivered by Krauss Maffei in Munich.

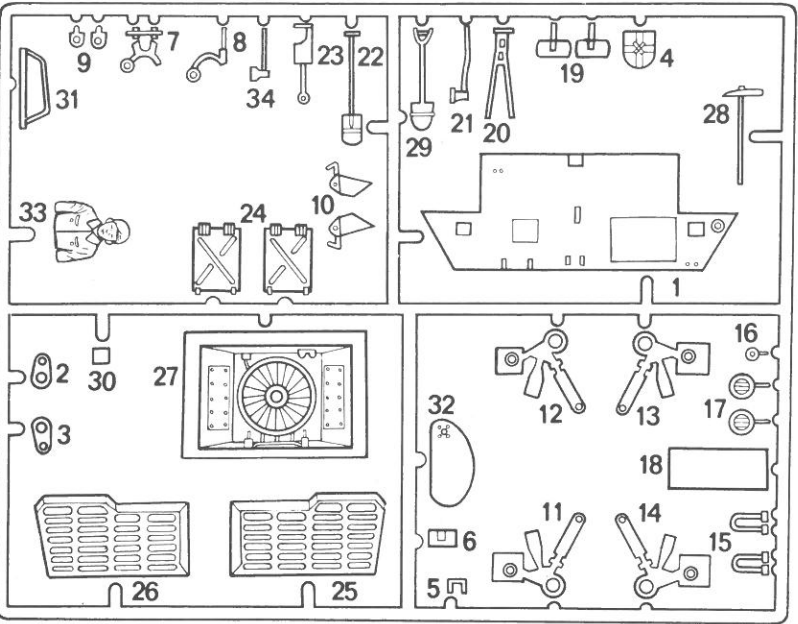
The crew of the tank is four and L7A 1 105mm gun made in Britain is used as its main gun which is common to tanks of the NATO forces and has the same destroying power as that

of the British Centurion, U.S.A. M60 and Swiss PZ 61. Its shooting sight is based on a range finder system and it can shoot a target at a distance of 1,000 meters even at night by simultaneous use of infrared rays. Its engine is a water-cooled, 10 cylinder multi-fuel engine by Mercedes Benz. The maximum high speed is 65km/h. Not only diesel oil but also gasoline and fuel for jet engines can be used. Its chassis and body is water-tight so that it can cross rivers at a depth of 4 meters underwater. Thus, this tank is a modern, excellent maneuverability tank of which importance is attached.



PARTS

A



A

1. Rear Panel
2. Tail Light (left)
3. " (right)
4. Infantry Telephone
5. Rear Hook (A)
6. " (B)
7. Gun Travelling Crutch (A)
8. " (B)
9. " (C)
10. Front Hook
11. Shock Absorber (R.F)
12. " (L.F)
13. " (R.R)
14. " (L.R)
15. Rear Hook (C)
16. Phone
17. Front Light
18. Tool (A)
19. Mirror Driving
20. Wire Cutter
21. Axe
22. Shovel (A)
23. Tool (B)
24. Tool Box
25. Engine compartment Cover (L)
26. " (R)
27. Engine Compartment
28. Sledgehammer
29. Shovel (B)
30. Tool (C)
31. Saw
32. Driver's Door
33. Commander
34. Small Axe

B

1. Gun Barrel (L)
2. " (R)
3. Gun Shield
4. Gun
5. Commander's Hatch (A)
6. " (B)
7. Gunner's Hatch (A)
8. Sighting Periscope
9. Smoke Discharger (L)
10. " (R)
11. "
12. Discharger-door
13. Periscope (L)
14. " (R)
15. Hand Rail
16. Gunners Hatch (B)
17. Hinge
18. Gunners Hatch (C)
19. " (D)
20. Commander's Hatch (C)
21. " (D)
22. Infra-red Searchlight (A)
23. " (B)
24. " (C)
25. " (D)
26. " (E)
27. " (F)
28. " (G)
29. Machine Gun
30. Gun Sight
31. Gun Mount
32. Stowage Box Door
33. Stowage Plate (right)
34. " (left)
35. Tool Case
36. Travel Pack (right)
37. " (left)
38. Antenna

C

1. Lower Hull
2. Upper Turret
3. Lower Turret
4. Upper Hull

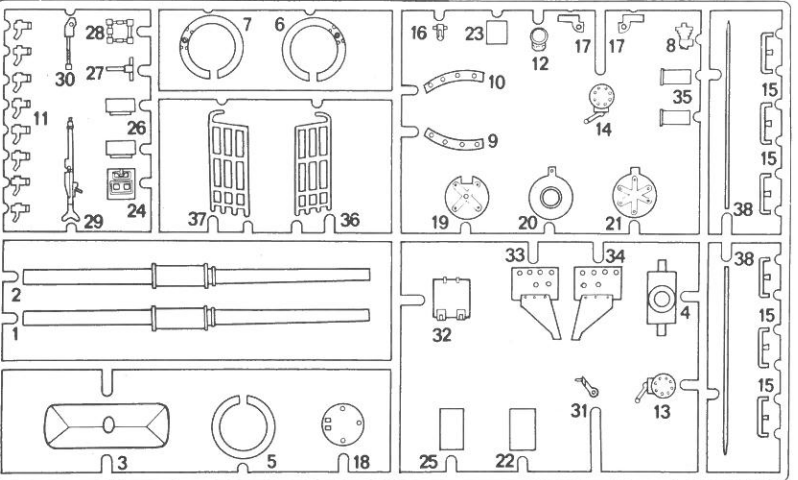
D

1. Front Wheel Cap
2. Road Wheel (A)
3. " (B)
4. Sprocket Wheel Cap
5. Towing Rope
6. Caterpillar

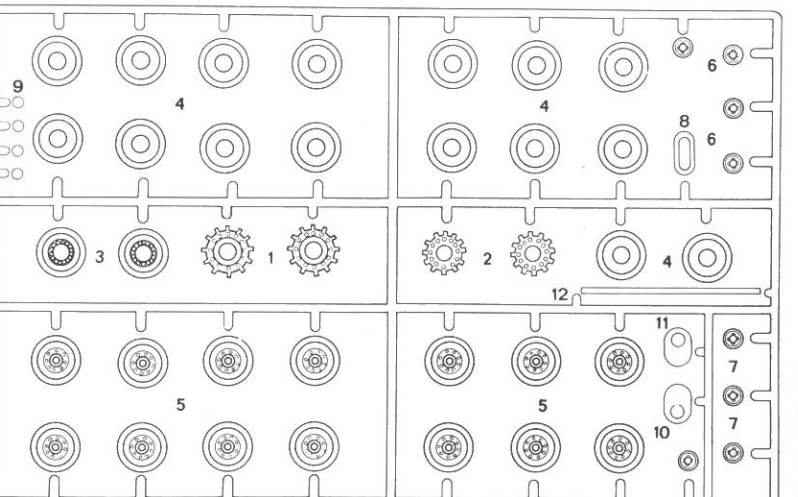
W

1. Drive Sprocket (A)
2. Drive Sprocket (B)
3. Idler Wheel
4. Road Wheel (B)
5. Road Wheel (A)
6. Upper Roller (A)
7. Upper Roller (B)
8. Unnecessary
9. Road Wheel Axle
10. Drive Axle (A)
11. Drive Axle (B)
12. Front Shaft

B



W





★Study the instructions before commencing assembly.

★You will need a sharp knife, a screwdriver, a pair of pliers, and a file.

★Do not break parts A2 to A6 from sprue, but cut off carefully with a sharp knife or a pair of pliers.

★Use glue sparingly. Use only enough to make a good bond. Apply cement to both parts to be joined.

Figure 1 Construction of Rear Panel
Detach parts No's. A1, A2, A3, A4, A5 and A6. Cement parts A2 to A6 as shown. Place No. A7 on locating lug on No. A8 and with a heated screwdriver weld No. A8 over No. A7; be sure this turns easily.

Cement eyelets No. A9 into locations on No. A1 but before these dry locate No. A7 lugs into eyelets-DO NOT CEMENT.

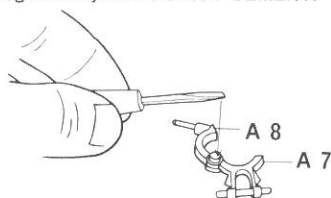


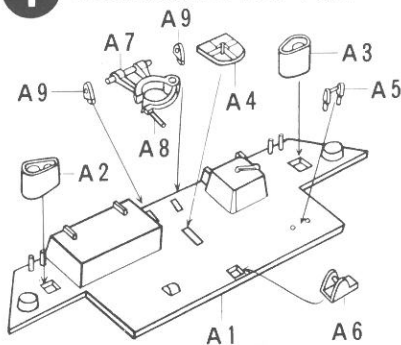
Figure 3 Construction and Fixing of Wheels, A

★Construct each wheel as shown. Two drive sprockets, fourteen road wheels, and two idler wheels are needed in all. When assembled up all wheels, fix each axle (W10, W11, W8, W9) to chassis and each five drive sprockets and five road wheels to the right and left sides.

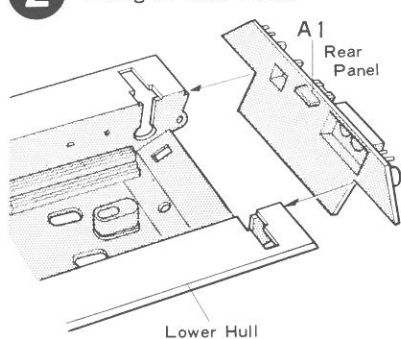
Figure 4 Fixing of Wheels, B
Fix idler wheels, upper rollers (W6, W7) to both right and left sides.
Fix road wheels after cementing shock absorbers (A11, A12, A13, A14) in position.



1 Construction of Rear Panel



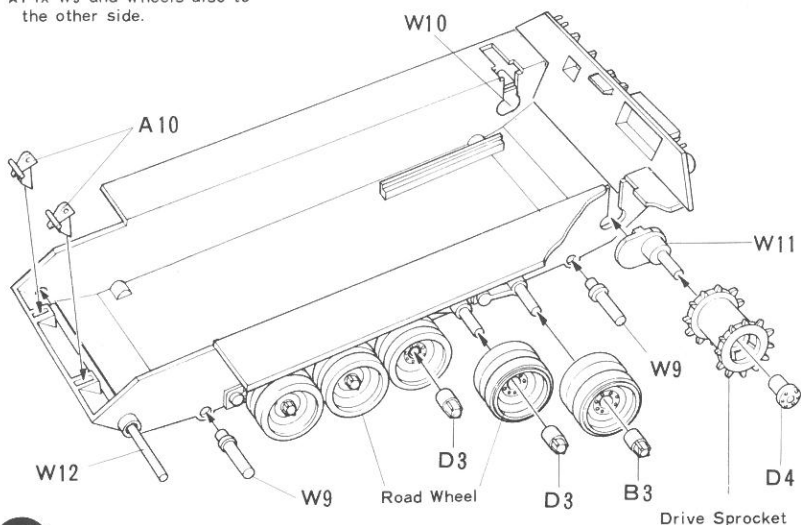
2 Fixing of Rear Panel



3 Construction and Fixing of Wheels, A



★Fix W9 and wheels also to the other side.



4 Fixing of Wheels, B

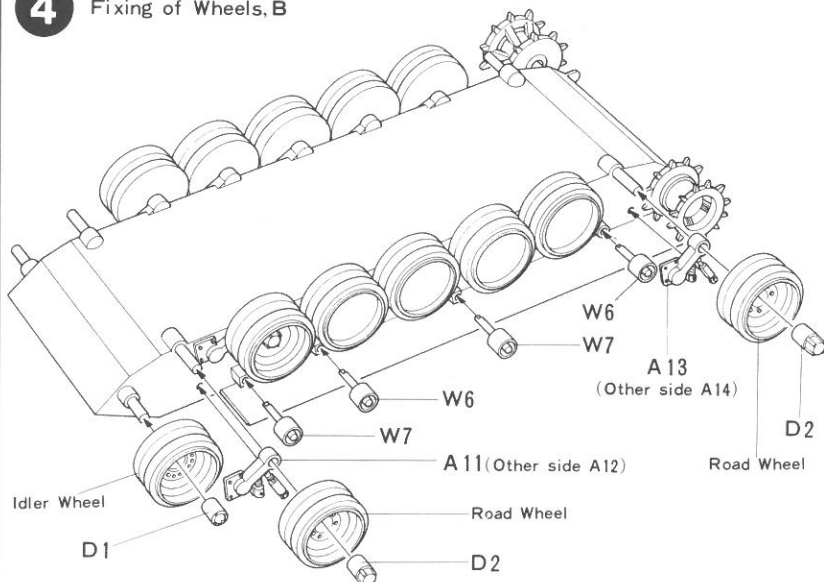


Figure 5 Construction of Gun Barrel Turret Assembly. Place B₁ recesses inside lower turret part No. C3. DO NOT CEMENT. Now cement upper turret part No. C2 to lower turret No. C3. Cement left and right halves of gun barrel No's. B1 and B2. Cement Gun barrel through cover No. B3 onto B4. This whole assembly will allow the gun barrel to elevate.

Figure 6 Fixing of Gun Turret Parts (A) Detach parts No's. B22 to B28 and construct as shown - put to one side to dry. This is for locating on gun barrel cover as shown. Complete turret cementing all parts as shown to respective locating points.

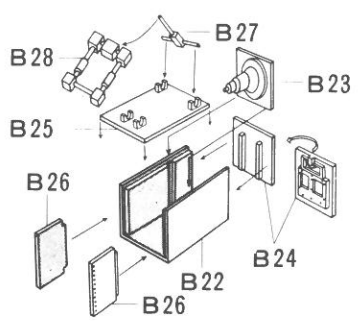
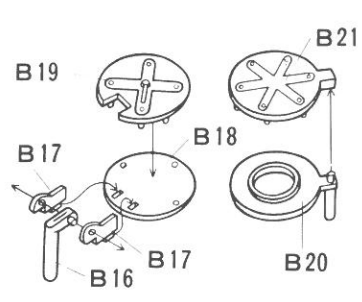
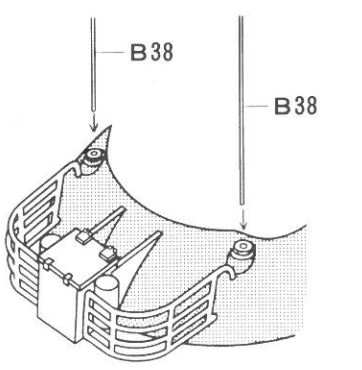


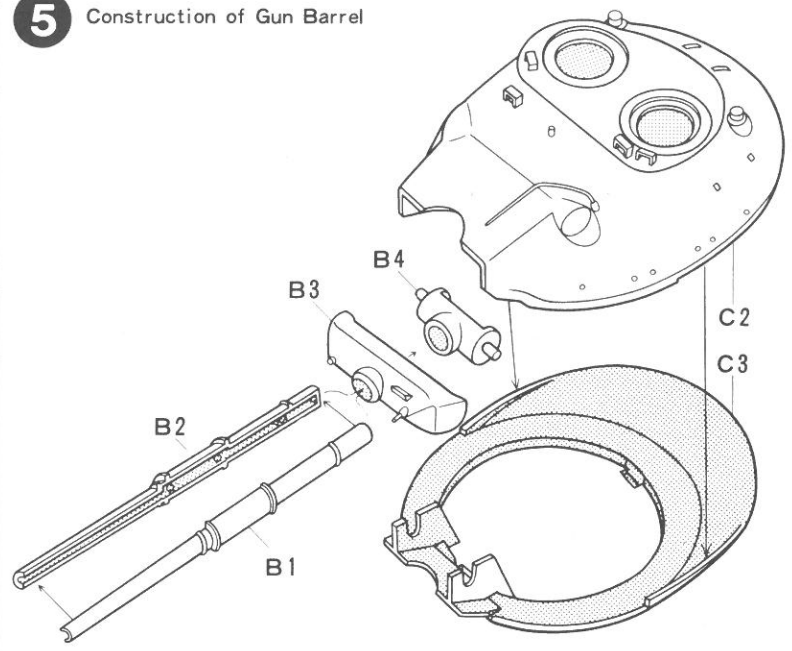
Figure 7 Fixing of Gun Turret Parts (B) Cement all the rest of turret parts, paying particular attention to assemblies in margin. Manhole cover No's. B18 and B19 is hinged and must NOT BE CEMENTED. Put whole turret assembly aside to dry.



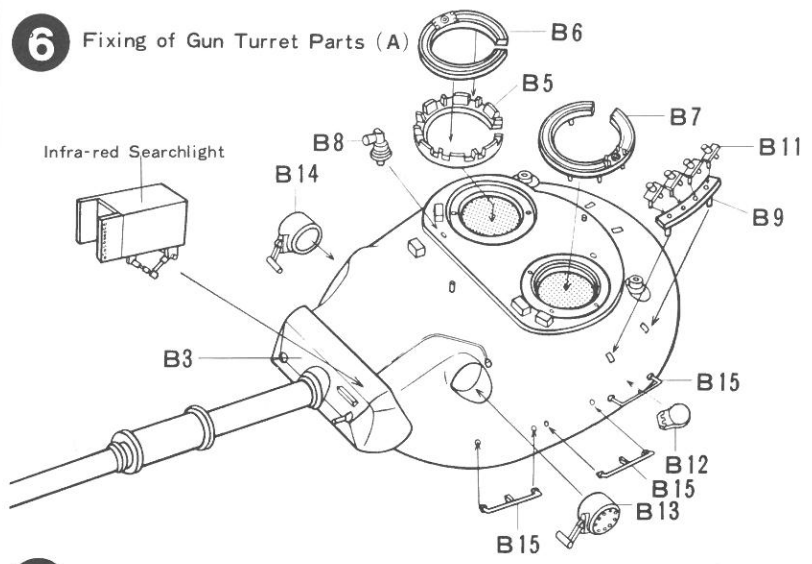
Fixing of Antenna



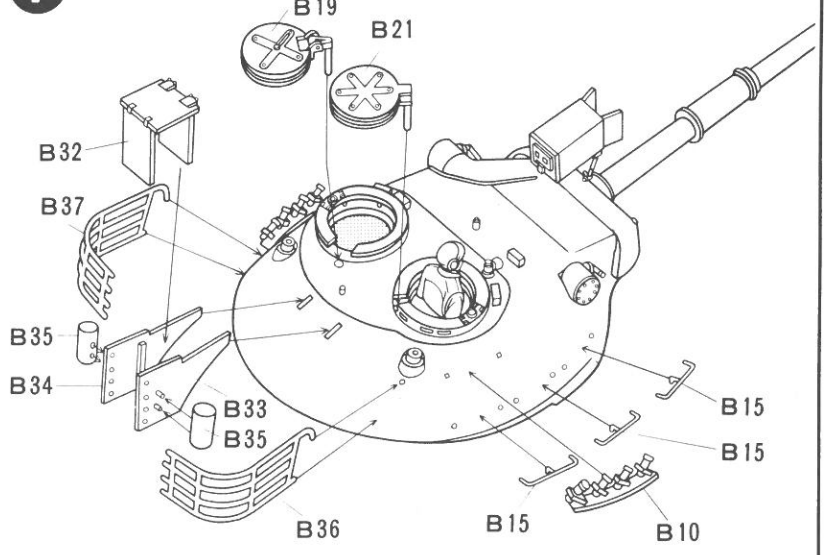
5 Construction of Gun Barrel



6 Fixing of Gun Turret Parts (A)

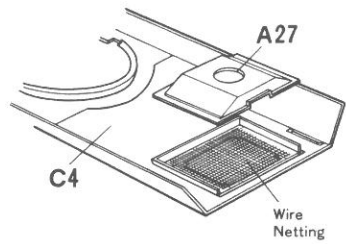


7 Fixing Gun Turret Part (B)

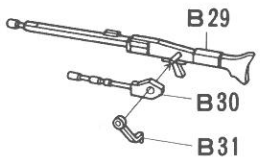


TAMIYA COLOR CATALOGUE
The latest in cars, boats, tanks and ships. Motorized, radio controlled and museum quality models are all shown in full color in Tamiya's latest catalogue. At your nearest hobby supply house.

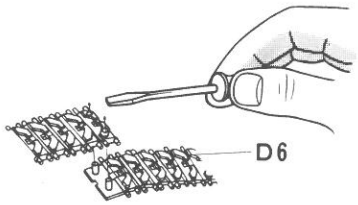
Figure 8 Fixing of Upper Hull Parts. Cement No. A27 to underside of tank body as shown over the top of wire mesh which is cemented to INSIDE of body. Cement all parts as numbered to left and right hand sides of body. Pay particular attention to plan for locating points.



Construction of Machine Gun Carriage Assemble Machine Gun No's. B29, B30 and B31.



Construction of Caterpillar Join tracks No. D6 and weld together using heated acrowdriver. Carefully feed over wheels paying attention to how the tracks lay over drive clogged wheels.



Fixing of Towing Rope

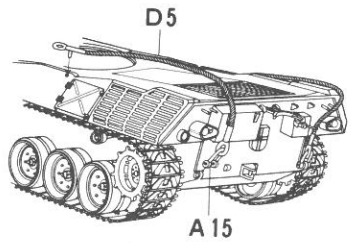
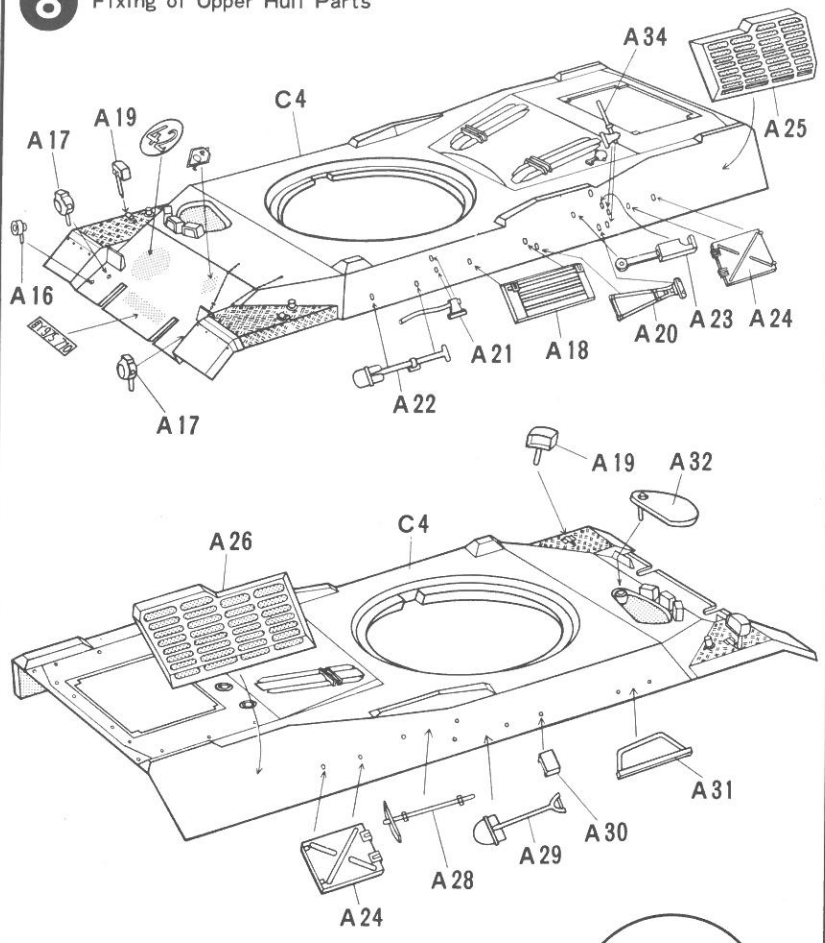


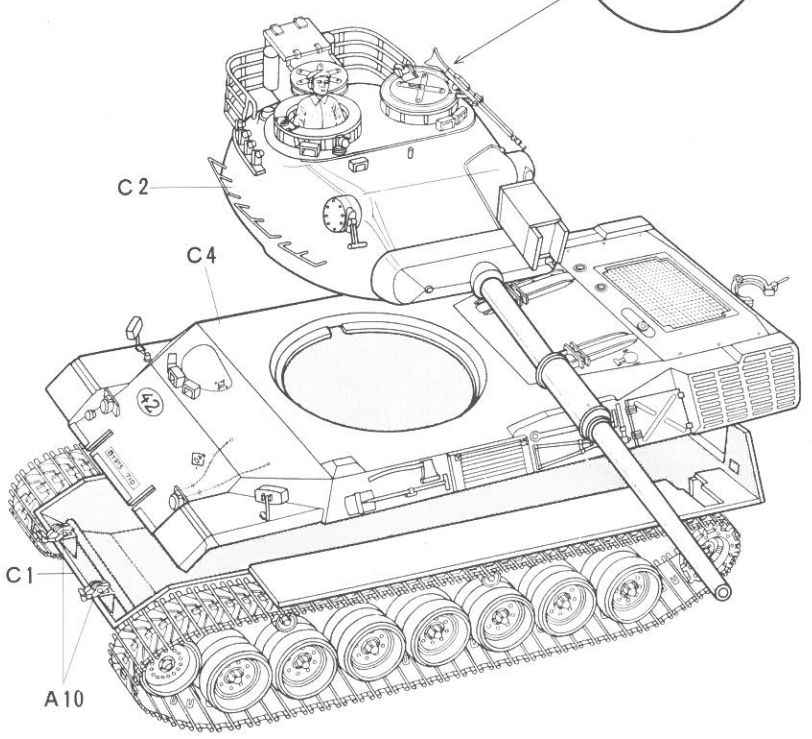
Figure 9 Fixing of Upper and Lower Hull. Place completed body onto chassis, locating recesses on body front into hooks on chassis front assembly should slide easily. Place turret sideways onto top, lugs should locate, turn turret and lugs will hold turret under body rim. Cement machine gun to turret as shown. Locate and cement the two rope hawsers No. D5 to either side of body as shown.

Finally affix transfers as shown on plan.

8 Fixing of Upper Hull Parts



9 Fixing of Upper and Lower Hull



PAINTING



APPLYING DECALS

Standard color of the Leopard tank is olive drab, which can be easily sprayed on.

Paint hand tools on sides of body, rope hawsers and machine gun in silver black. The tail lamp on panel of rear part of chassis should be painted red. As fender cover is made of rubber, paint it matted black for a realistic look.

By following the diagram below, paint the commander dummy using a slender brush.

Apply decals by referring to the diagram in upper right. Soak slide marks in water, then with front side up, slide base sheet off. Apply marks to body and smooth down bubbles under marks with a soft cloth.



The diagram at the right is a comparison of the Leopard tank with those of the various other famous tanks. The white portions are of the Leopard tank and the black ones are of the other respective tanks. You will see that the height of the Leopard tank is lower than any of the tanks. The Leopard tank is made with much care in respect to shellproof effect.

TAMIYA'S AVAILABLE LINE OF PLASTIC 1/35 th SCALE MODEL KITS IS LISTED HERE. MAKE SURE YOU GET THE WHOLE LINE..... START YOUR COLLECTION NOW!

