



1/35 SCALE  
**5127**  
Military Miniature Series

# Pz.Kpfw.IV Ausf.H Late Production

## ASSEMBLY ICONS



OPTIONAL  
选择



CEMENT  
膠水



DO NOT CEMENT  
不使用膠水



INSTANT CEMENT  
瞬間接著劑



BEND  
彎折



MAKE 2  
製作2組



OPEN HOLE  
鑽孔



REMOVE  
切除



BE CAREFUL  
注意



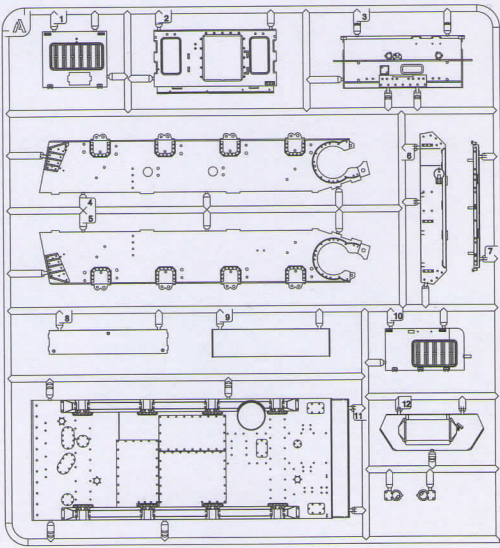
APPLY DECAL  
貼上水貼紙

## CAUTION!

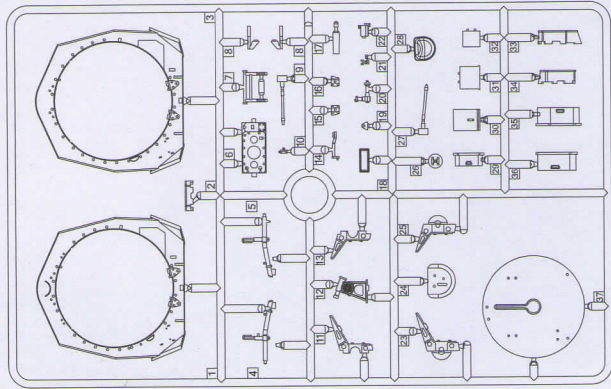
Read carefully and fully understand the instructions before commencing assembly.  
Supervising adult should also read the instructions if a child assembles the model.  
When you used glue or paint, do not use near a naked flame, and use in a well-ventilated room.  
When assembling this kit, tools including knives are used. Extra care should be taken to avoid personal injury.  
Read and follow the instructions supplied with paints and/ or cement. Use plastic cement and paints only.  
Keep out of reach of small children. Children must not be allowed to suck any part, or pull vinyl bag over the head.

在裝配前仔細閱讀說明並完全理解。小孩裝配時需成人看護且需仔細閱讀說明。  
使用膠水和油漆時，應遠離火源並打開窗戶保持空氣流通。  
製作時請格外注意工具刀和零件的鋒利尖銳部分，避免對身體造成傷害。  
在使用膠水和油漆前仔細閱讀注意事項，按照說明正確使用膠水和油漆。  
請將本品放在兒童接觸不到的地方，套件中的塑膠包裝袋會對兒童造成窒息的危險。

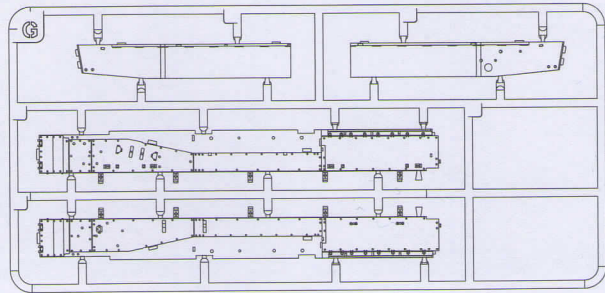
A x 1



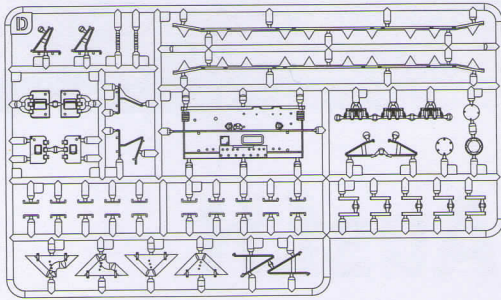
F x 1



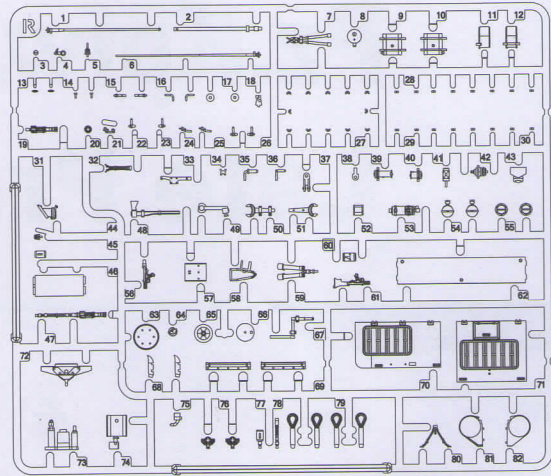
G x 1



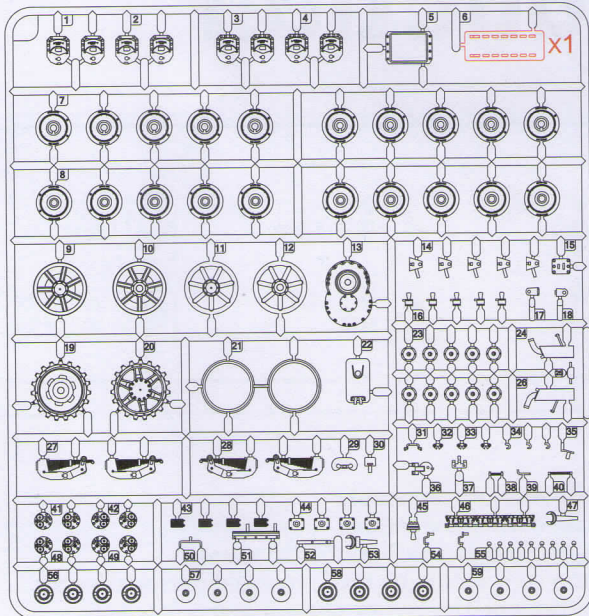
D x 1



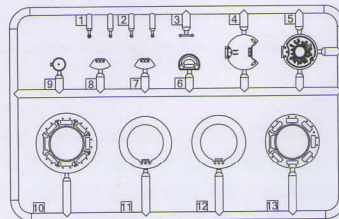
R x 1



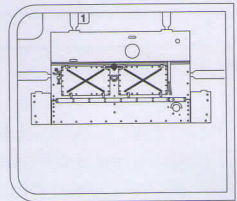
C x 2



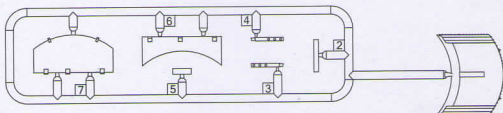
J2 x 1



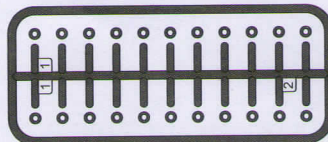
N x 1



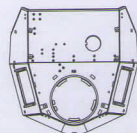
J4 x 1



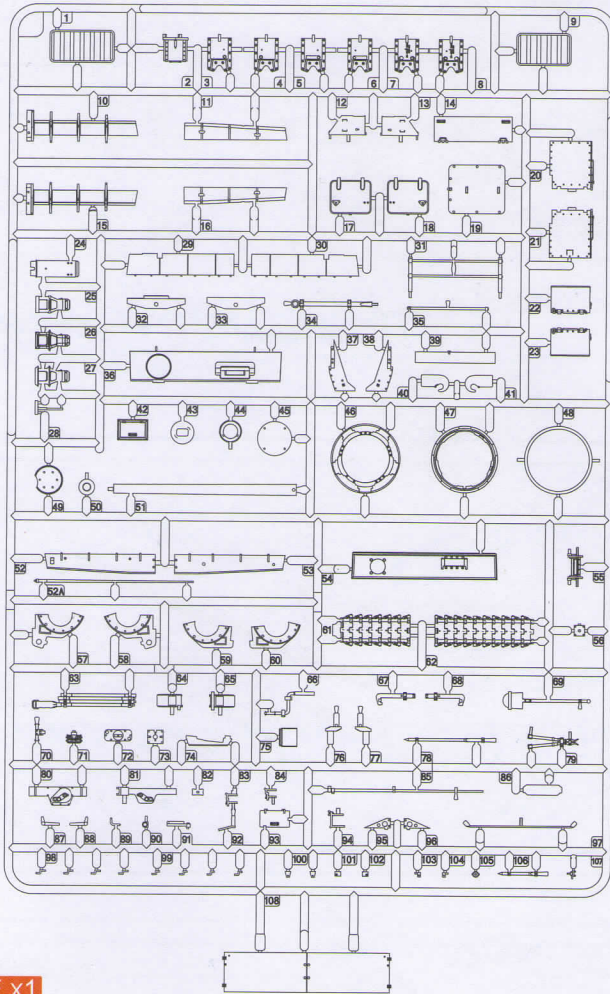
Poly Cap



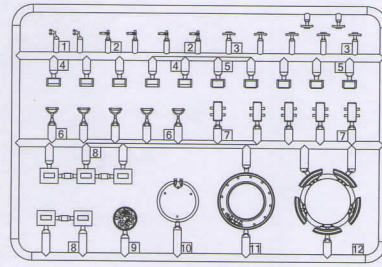
Turret



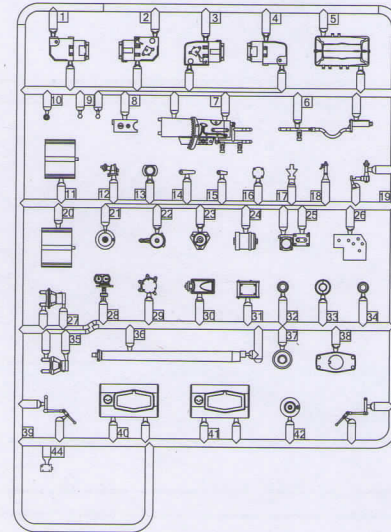
K x1



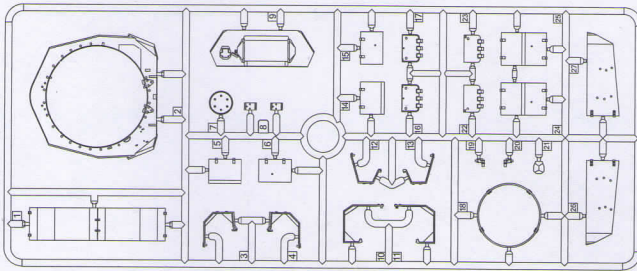
J1 x1



H x1



E x1



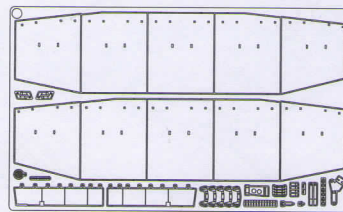
Tracks x12



racks x24



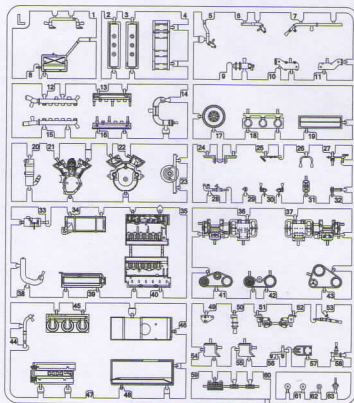
Ya x1



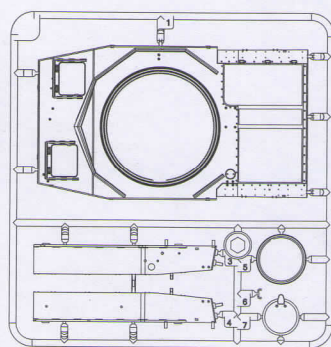
Decal



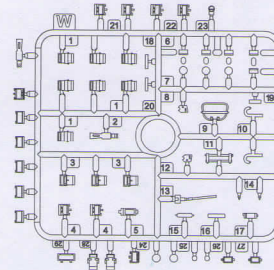
L x1



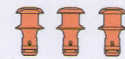
B x1



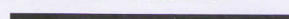
W x1



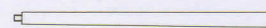
3D printed part  
3D打印件

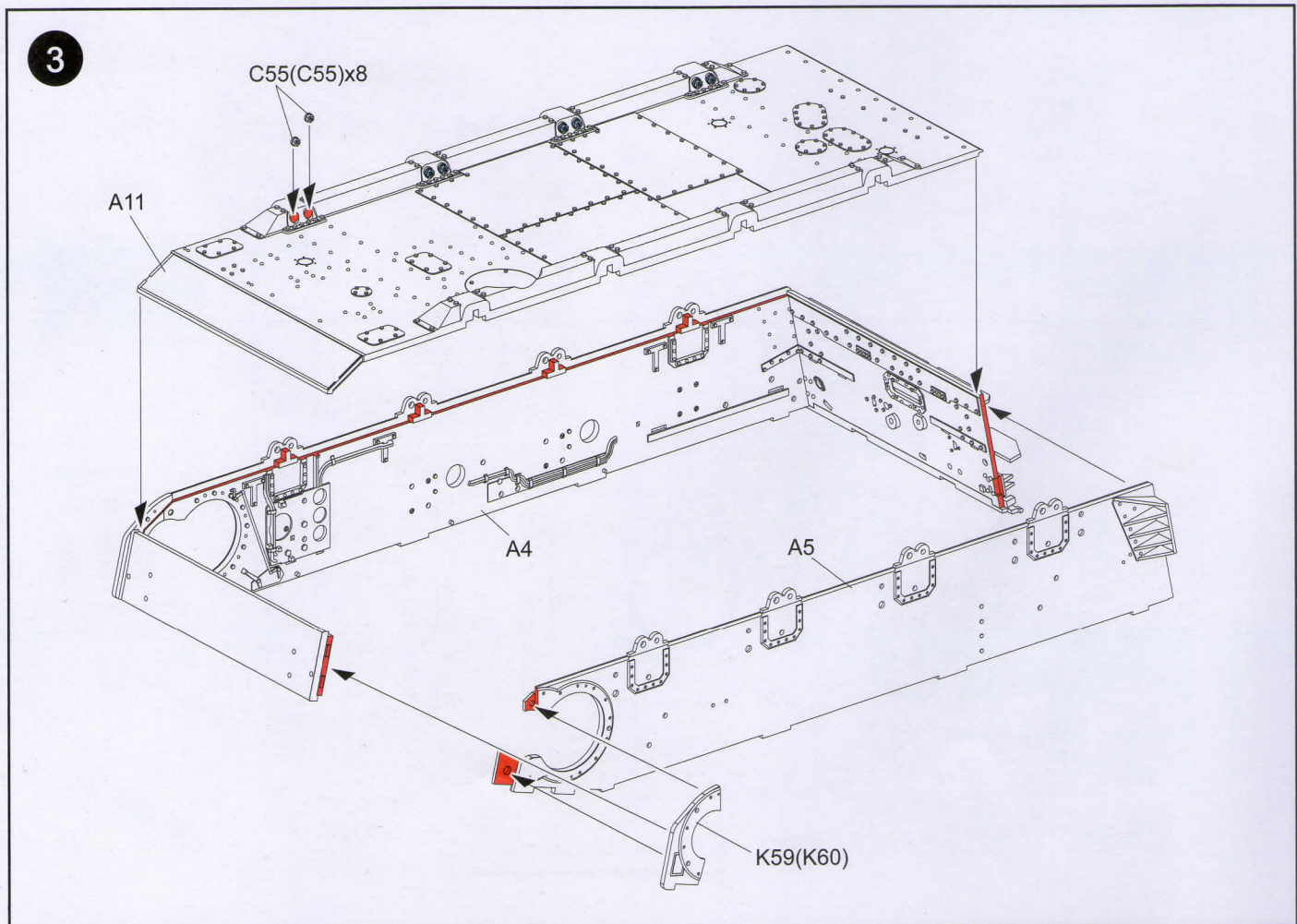
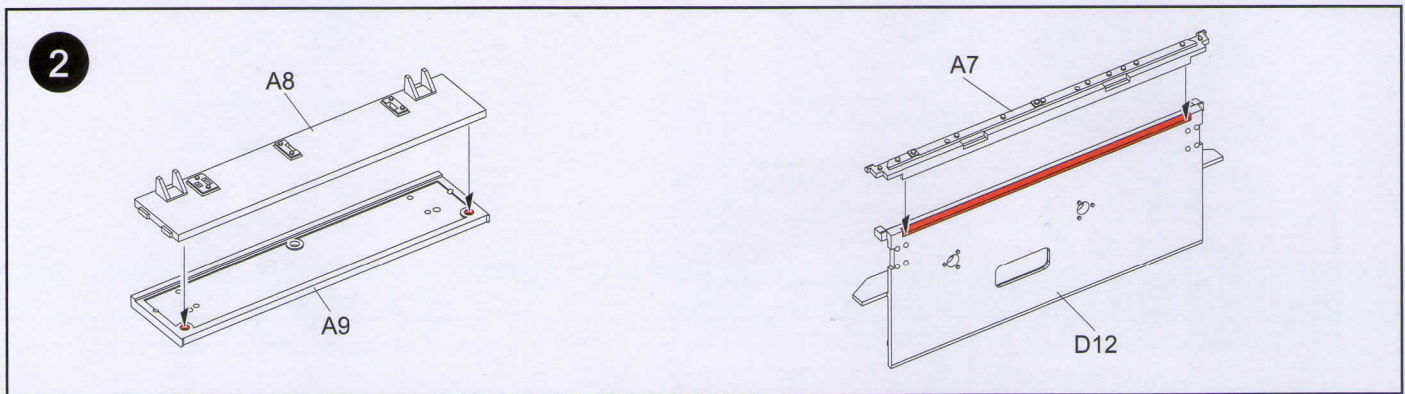
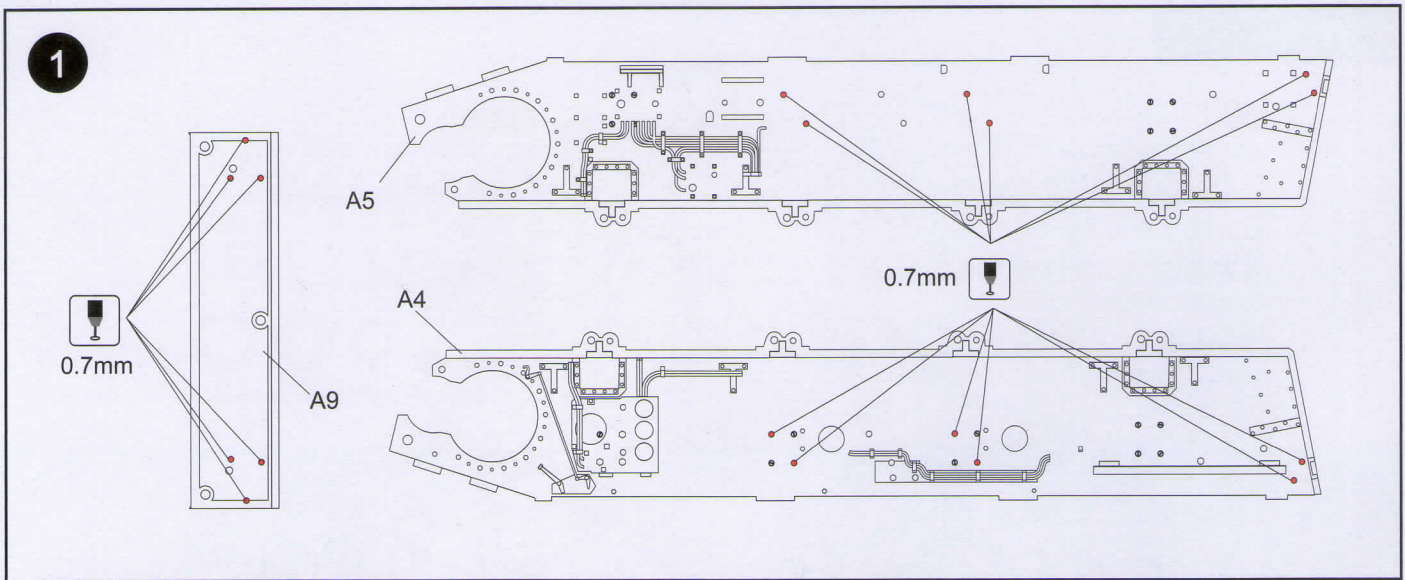


Rope 棉线  
Φ: 0.7 mm L: 300mm

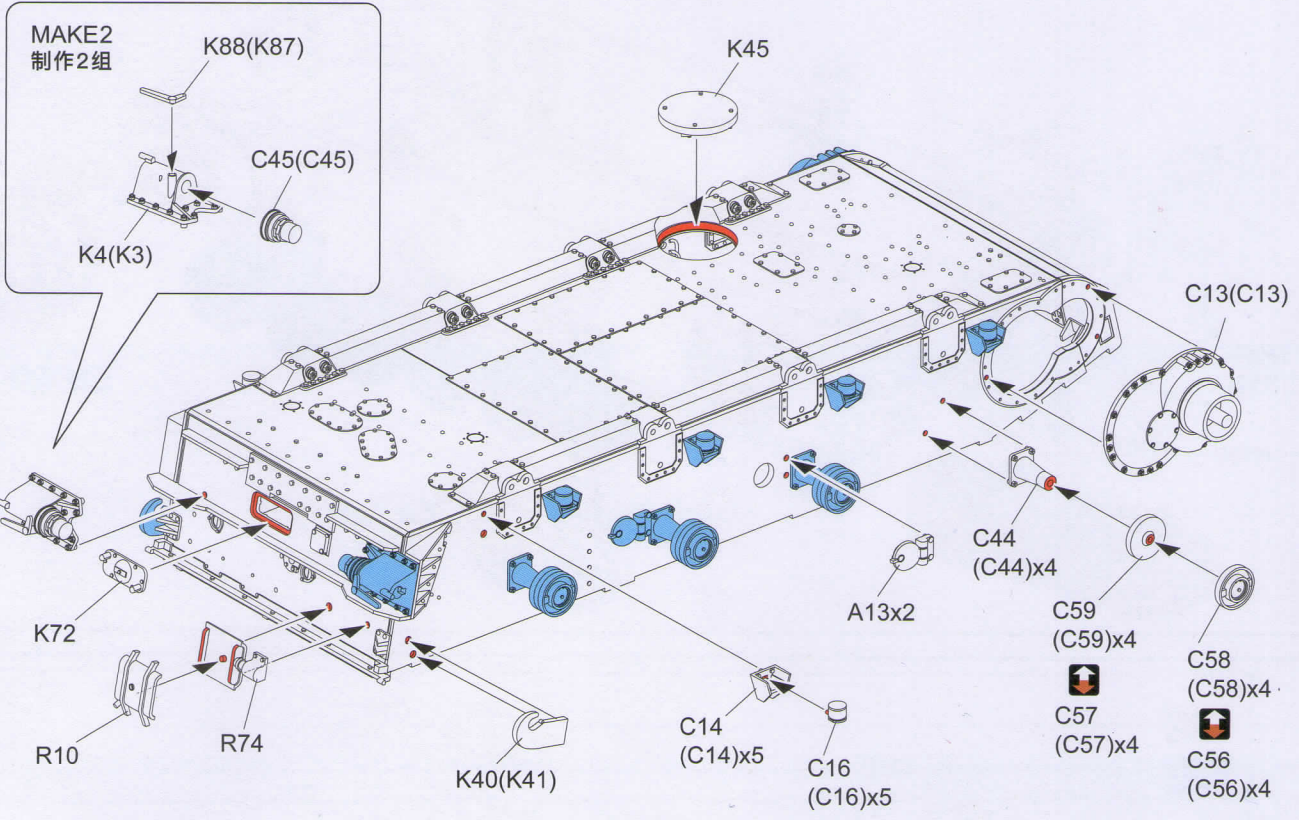


Metal gun  
金属炮管



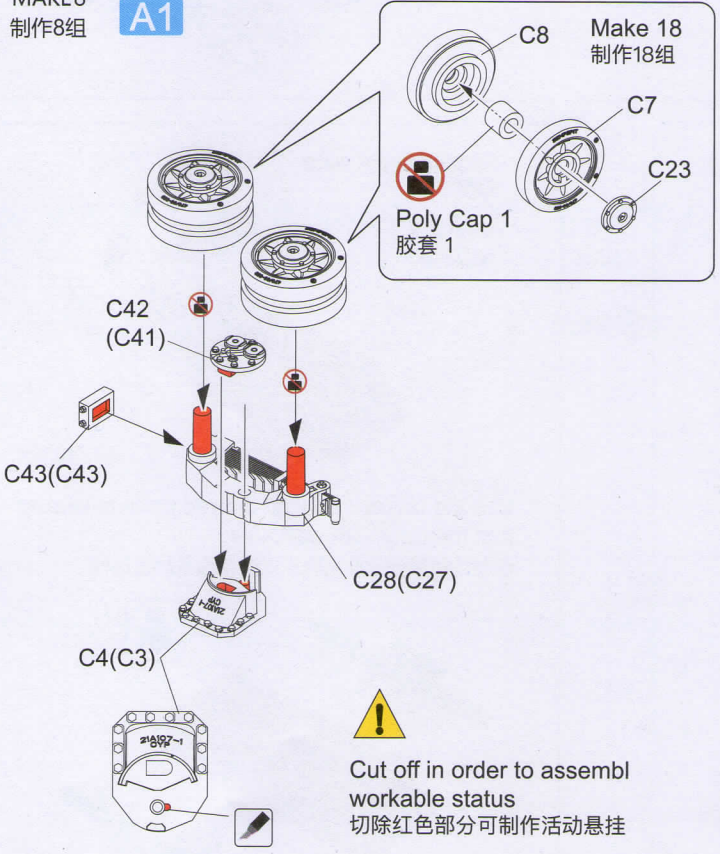


4



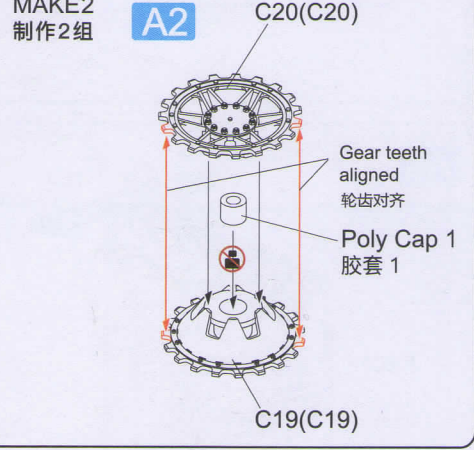
MAKE8  
制作8组

A1

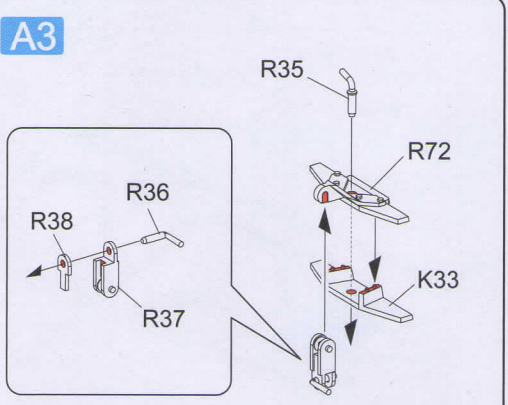


MAKE2  
制作2组

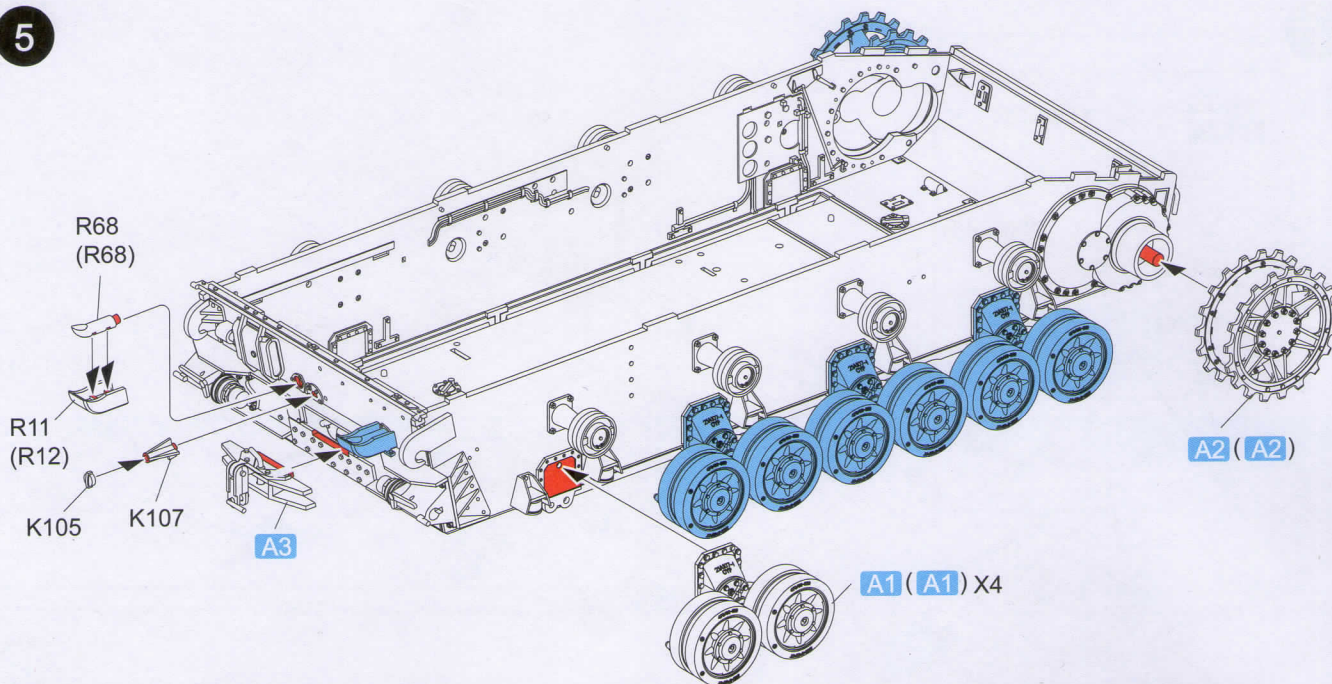
A2



A3

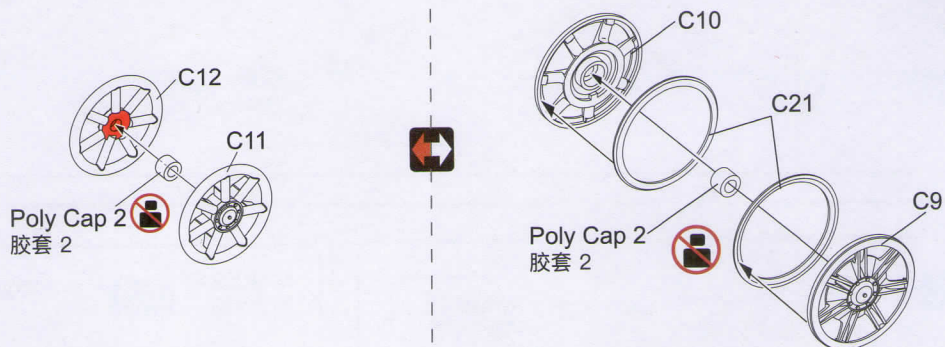


5

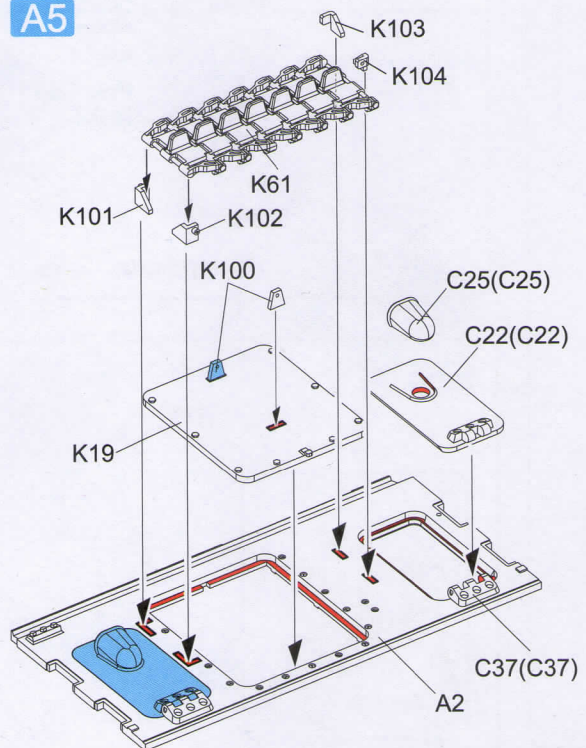


MAKE2  
制作2组

A4

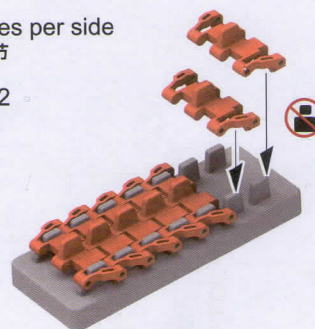


A5

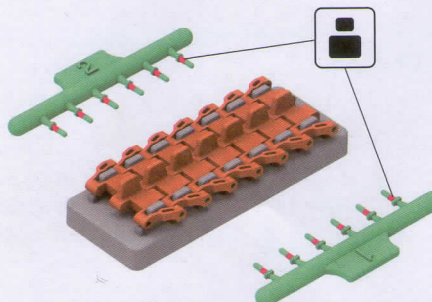


98 pieces per side  
每侧98节

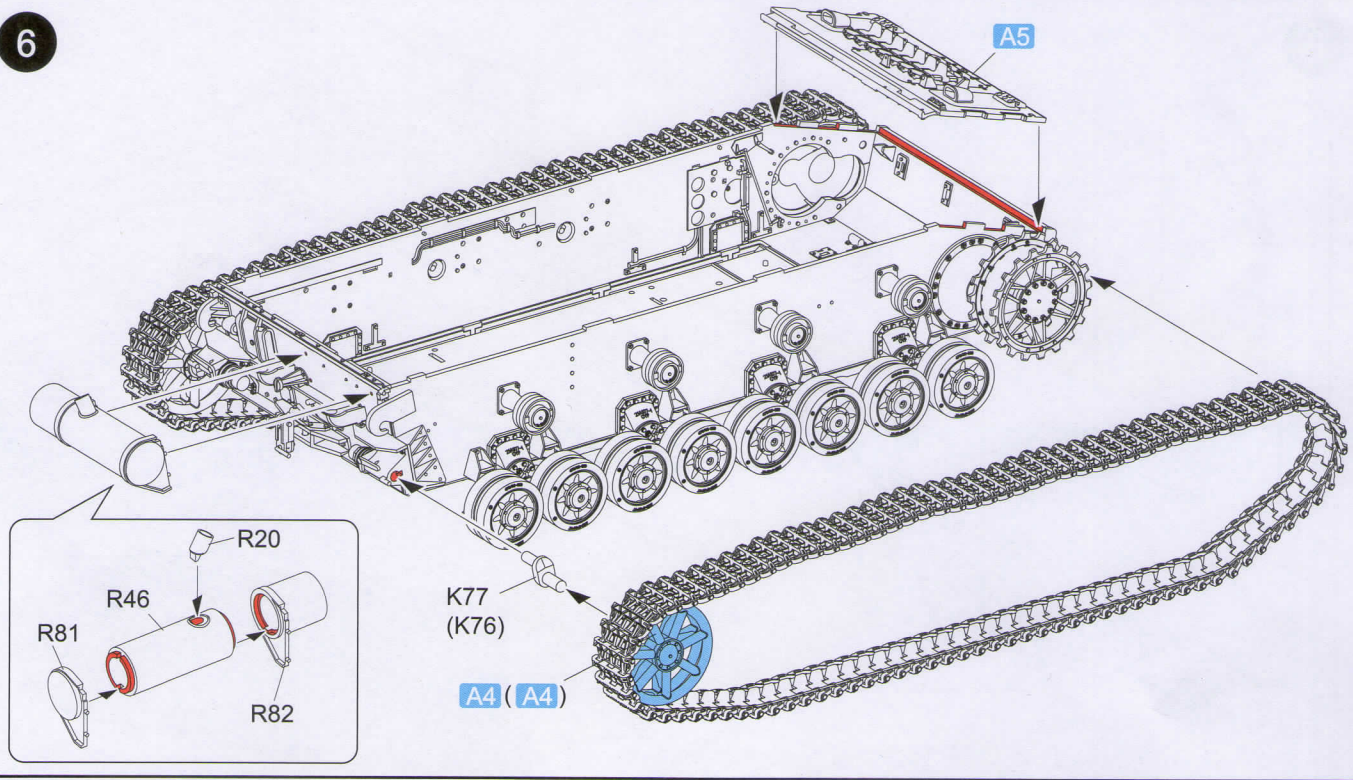
MAKE 2  
制作2组



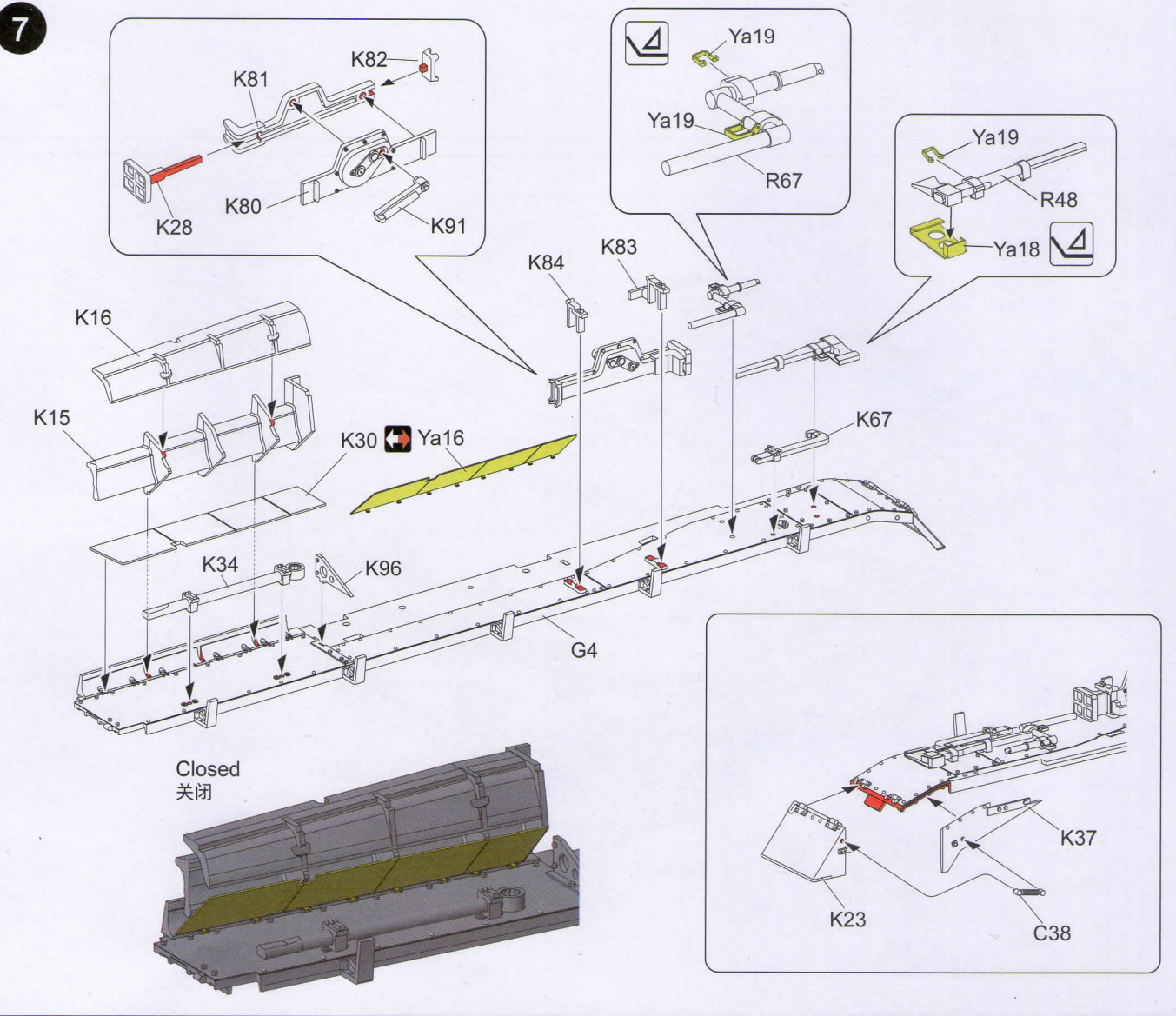
Use the cement only on the red parts to ensure that the track can workable.  
仅在红色部分上使用胶水以确保履带的活动性。



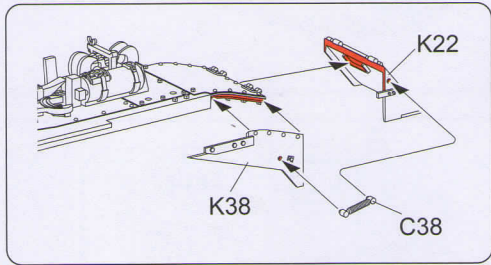
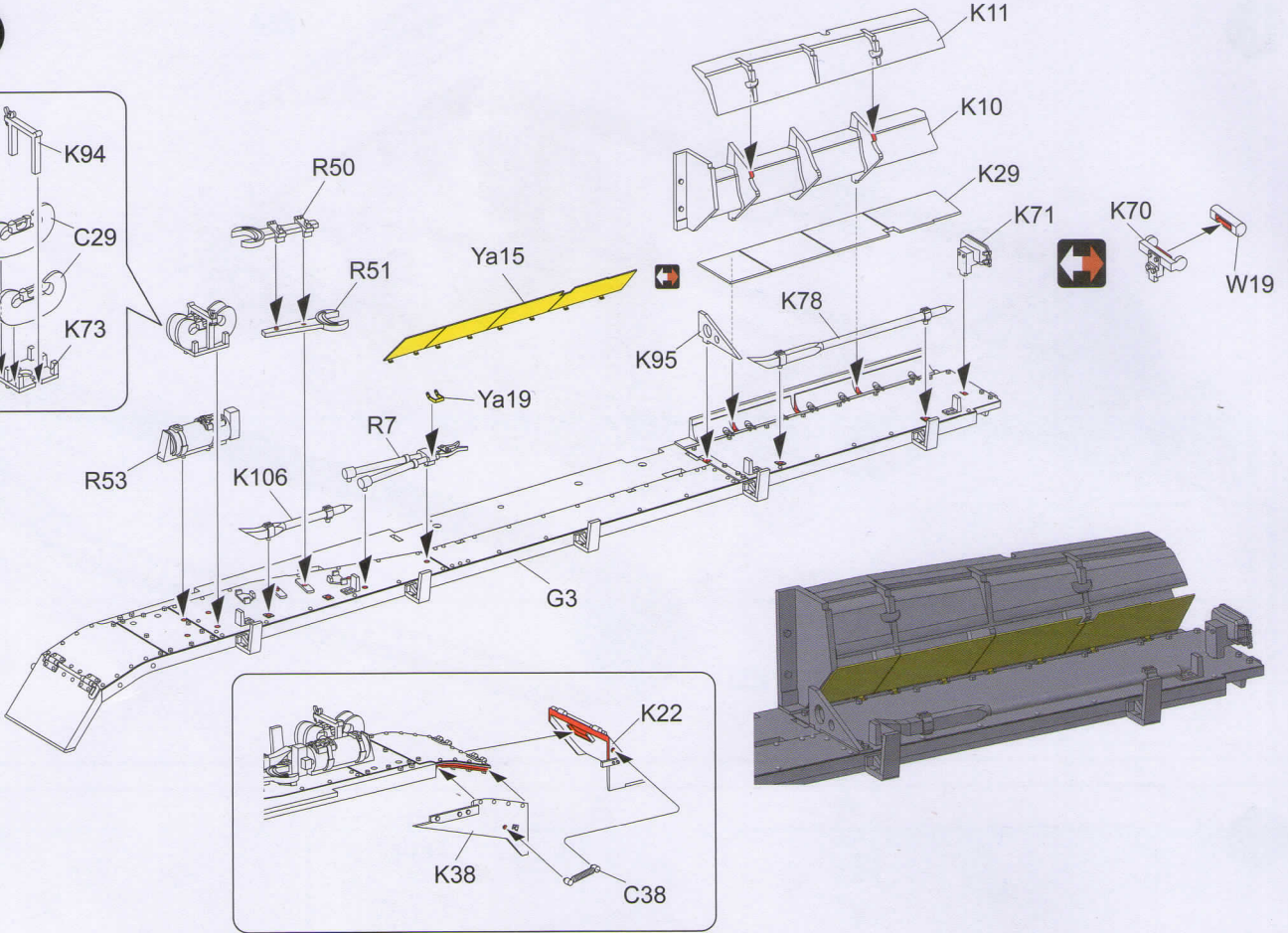
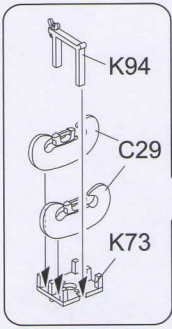
6



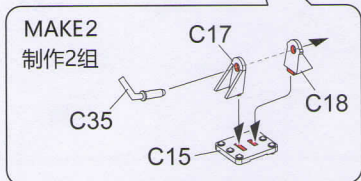
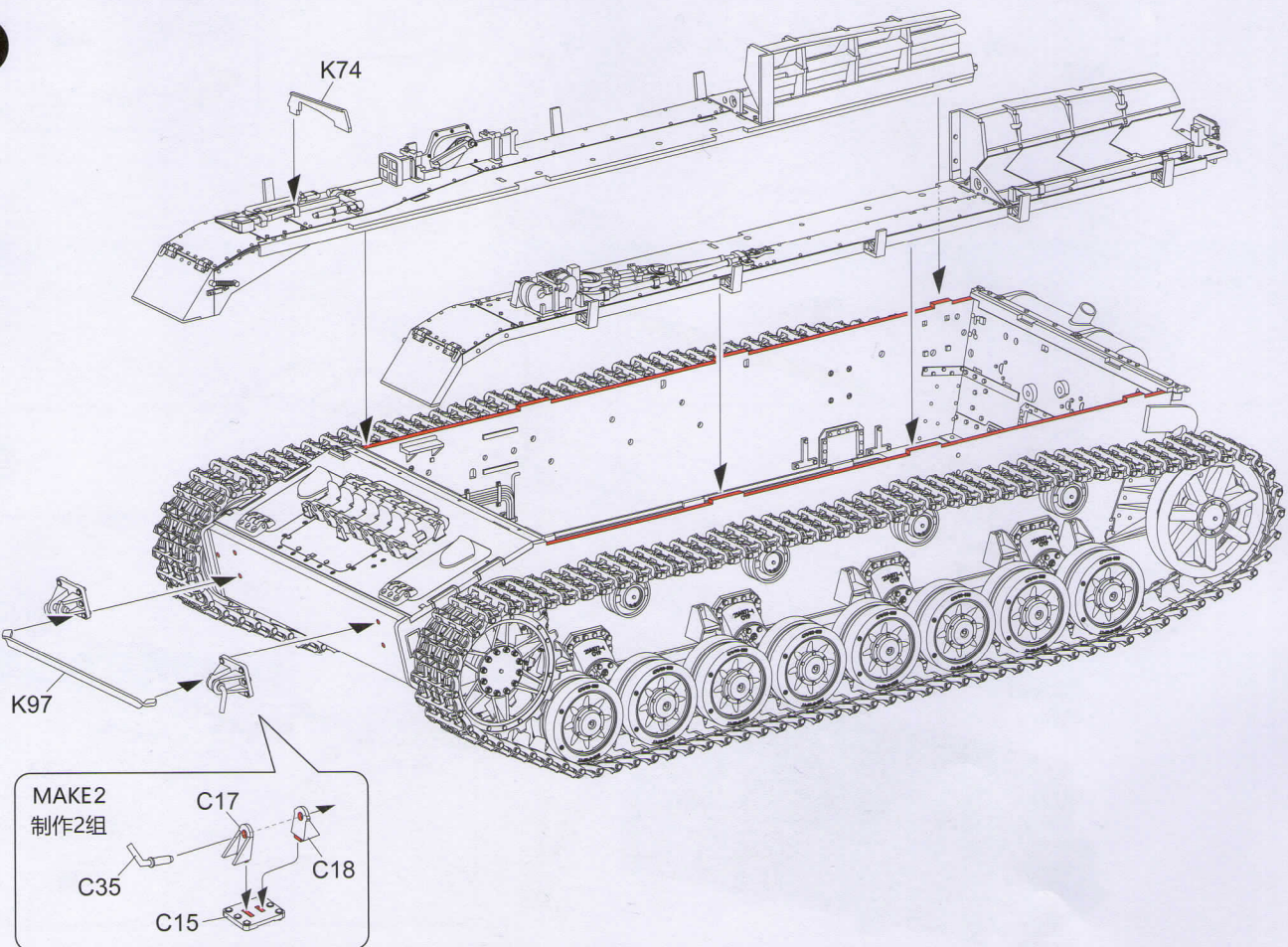
7



8

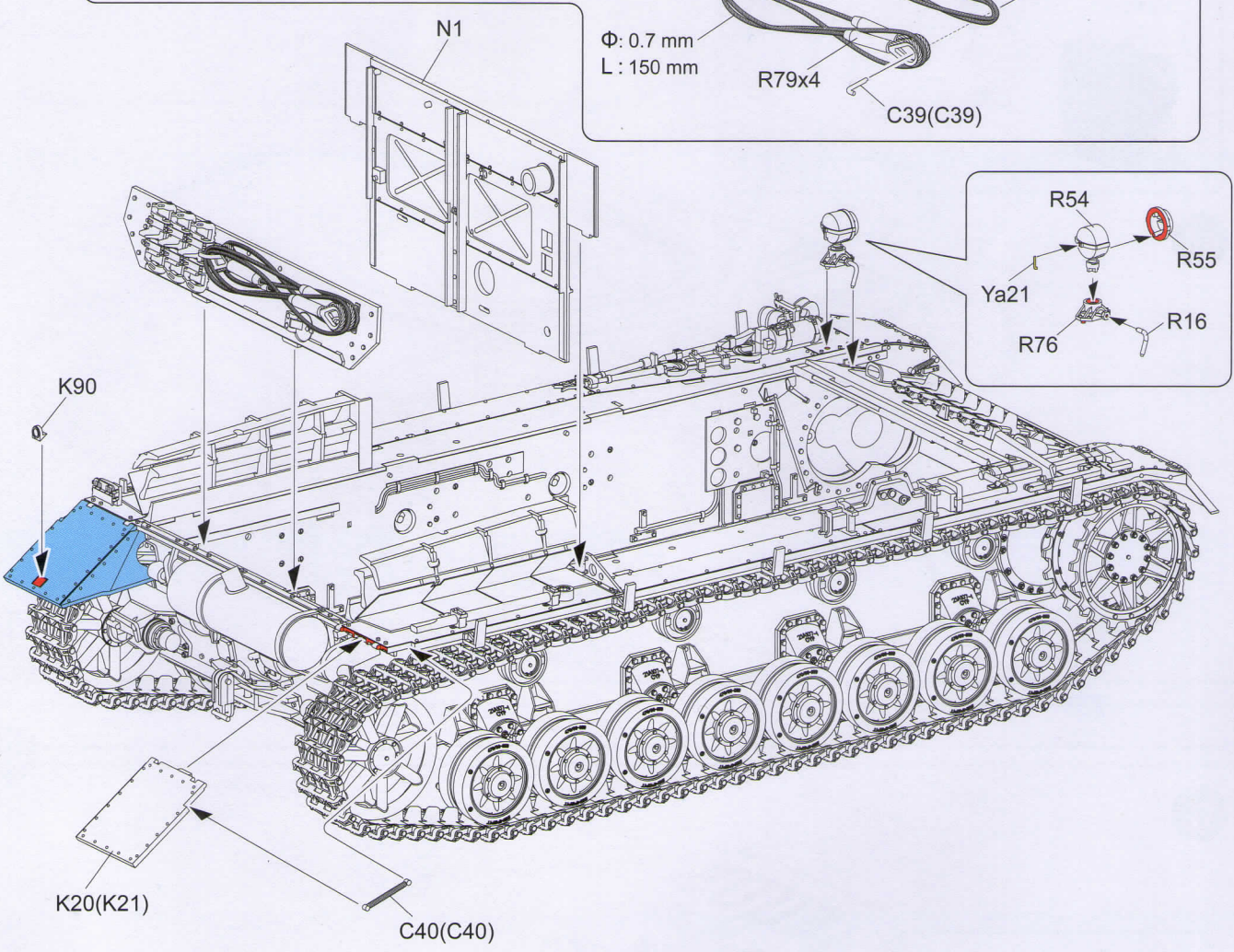
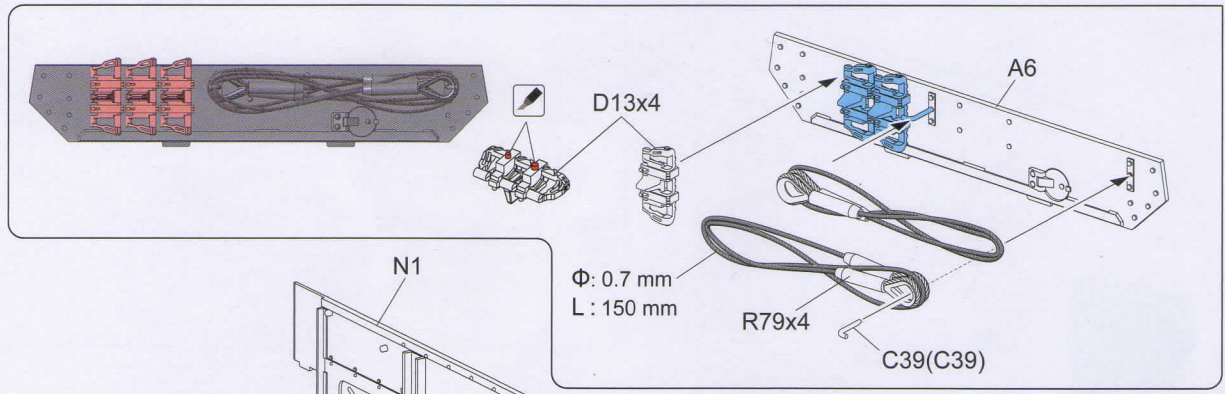


9

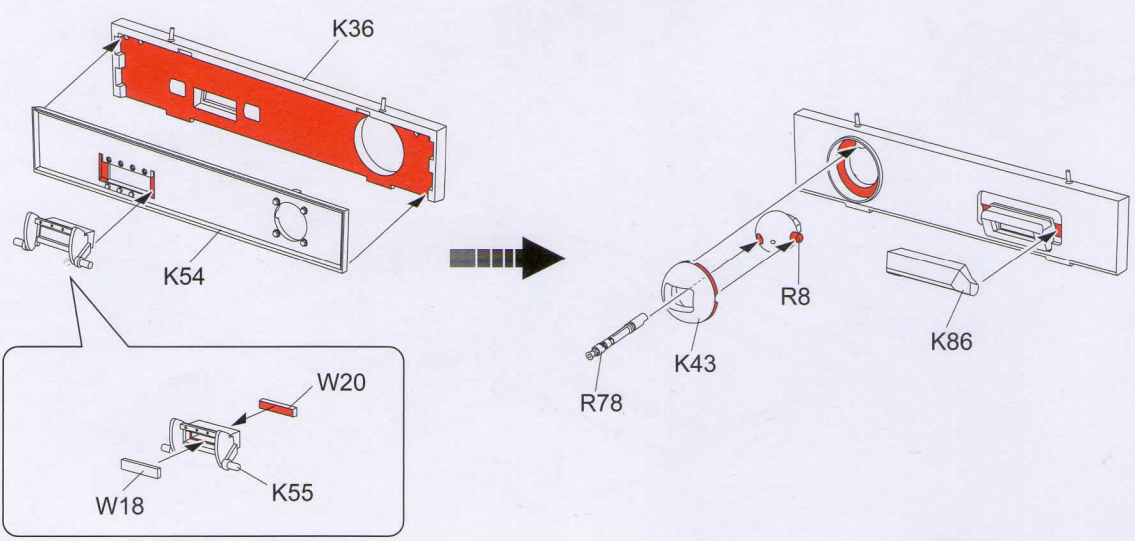


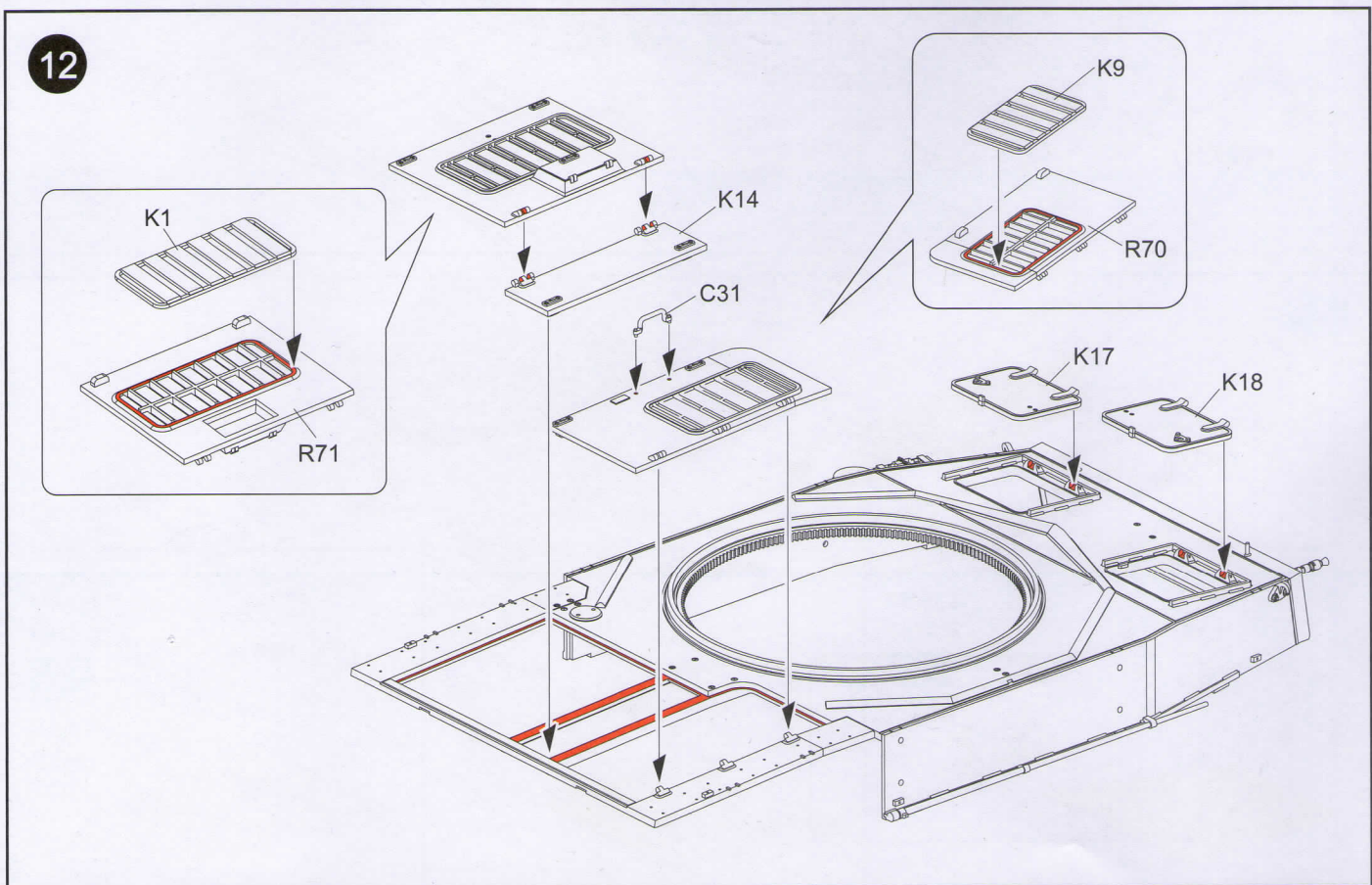
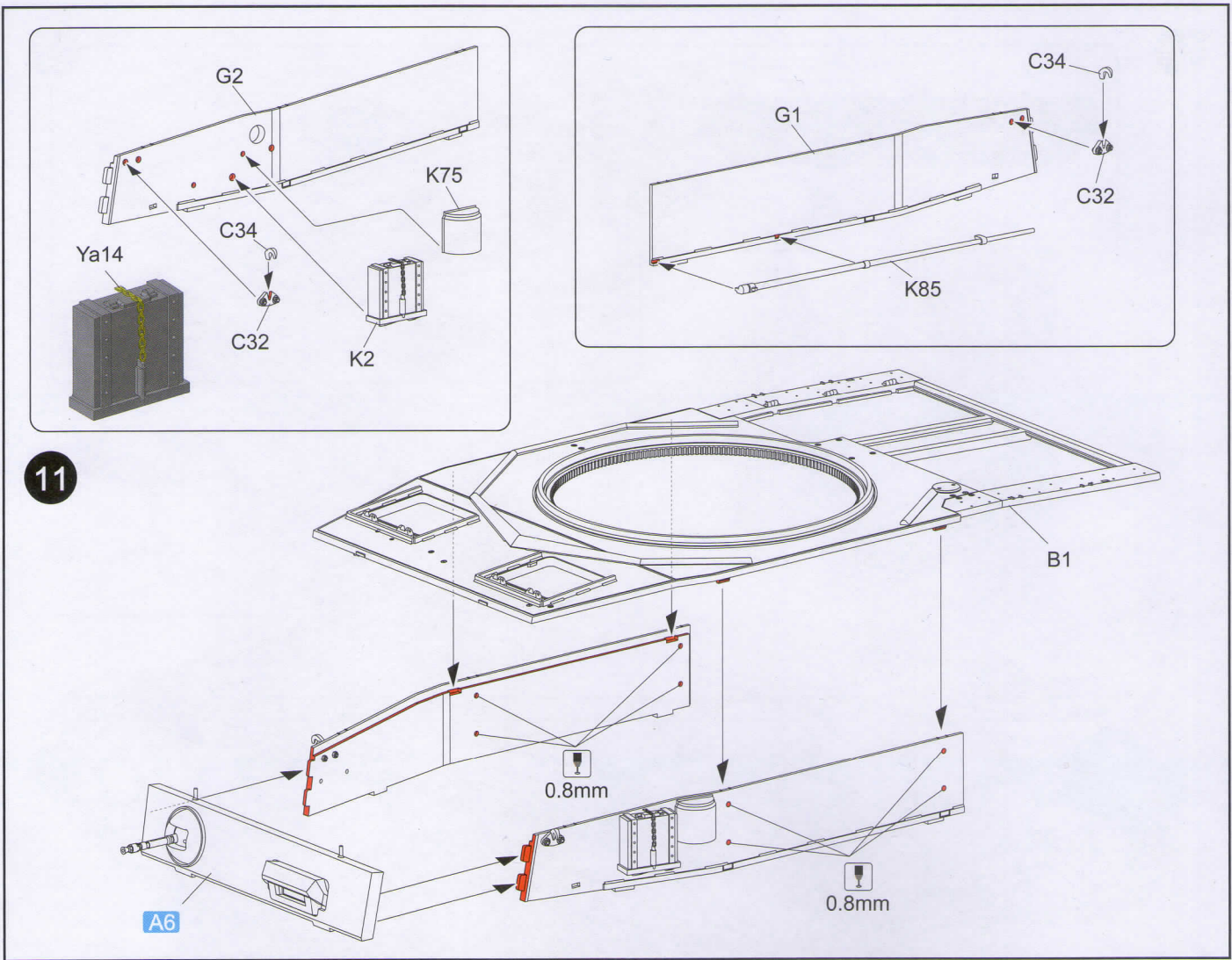


10

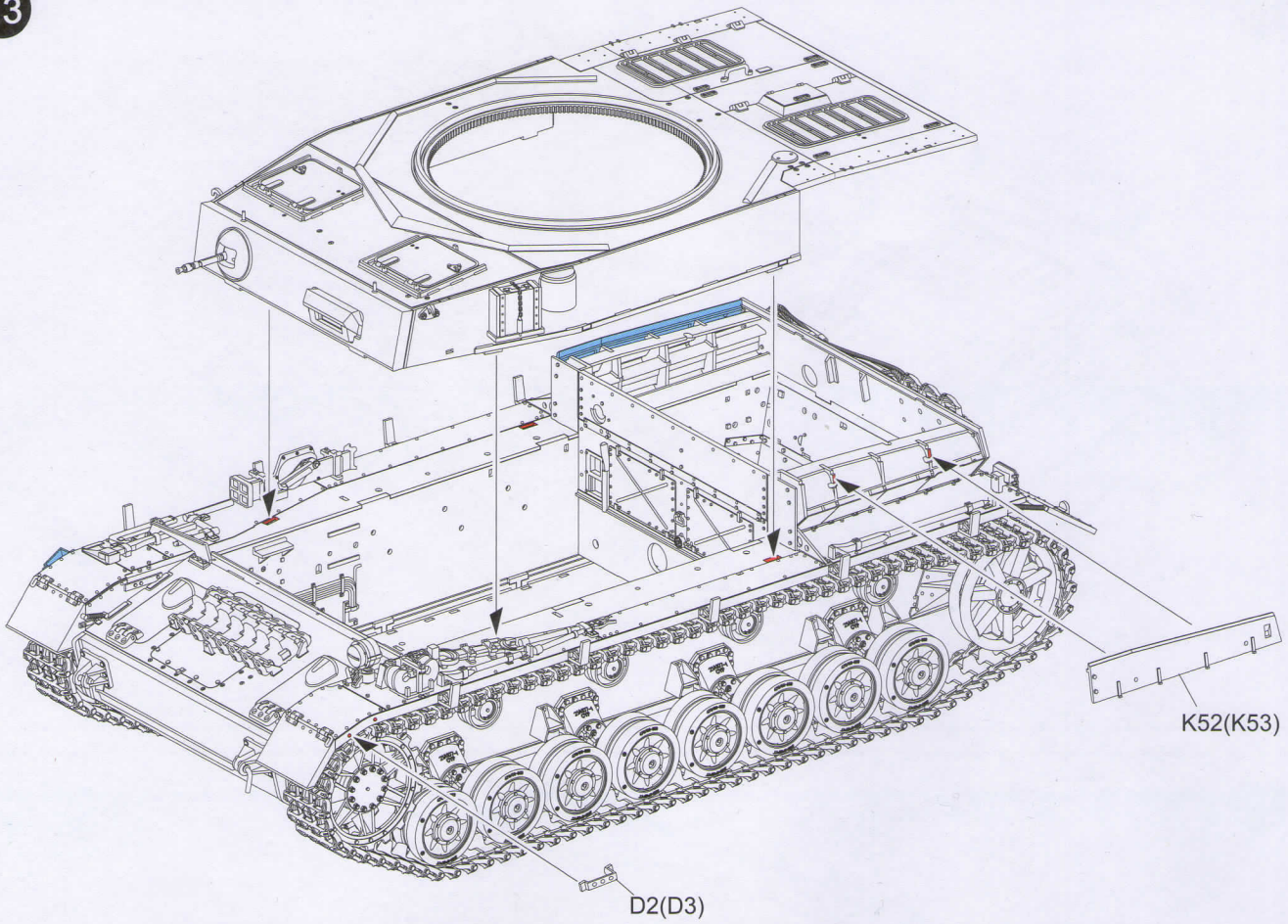


A6

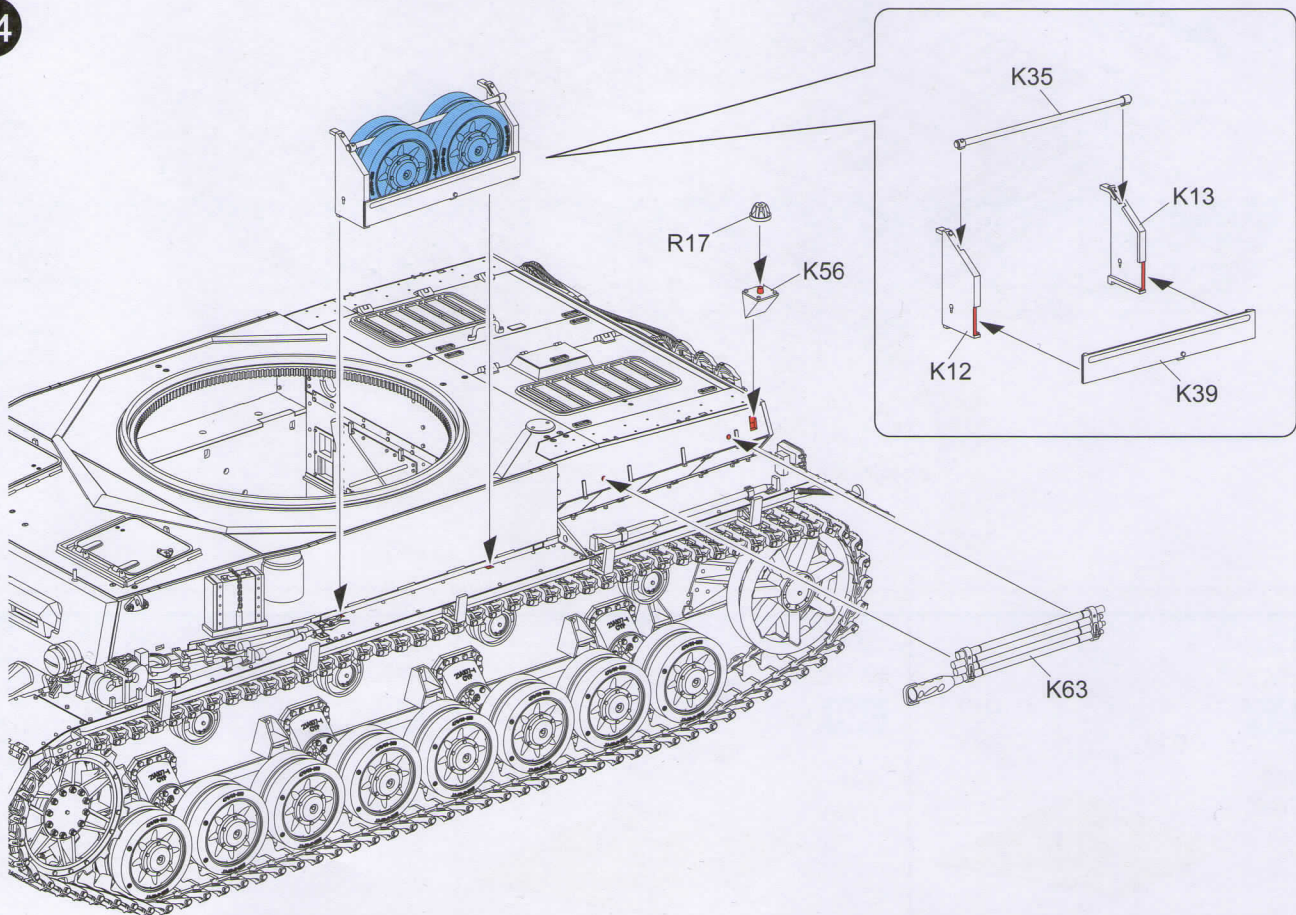




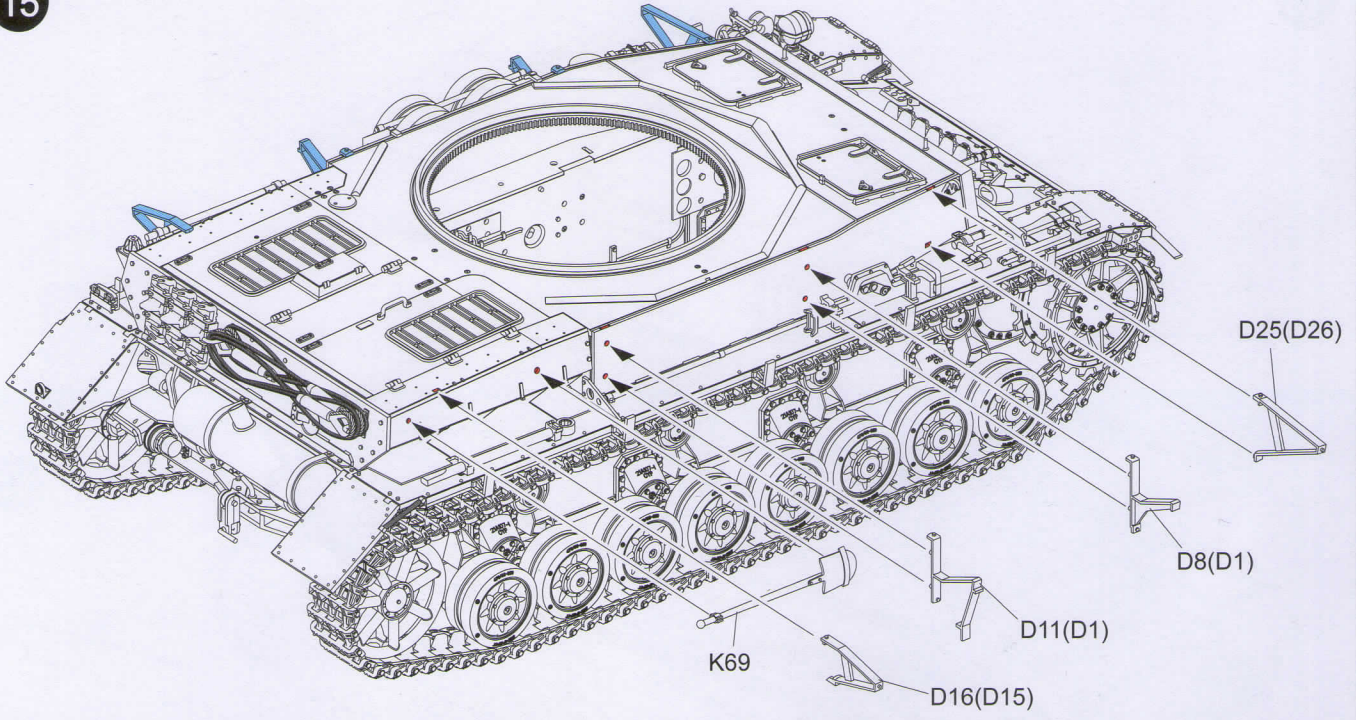
13



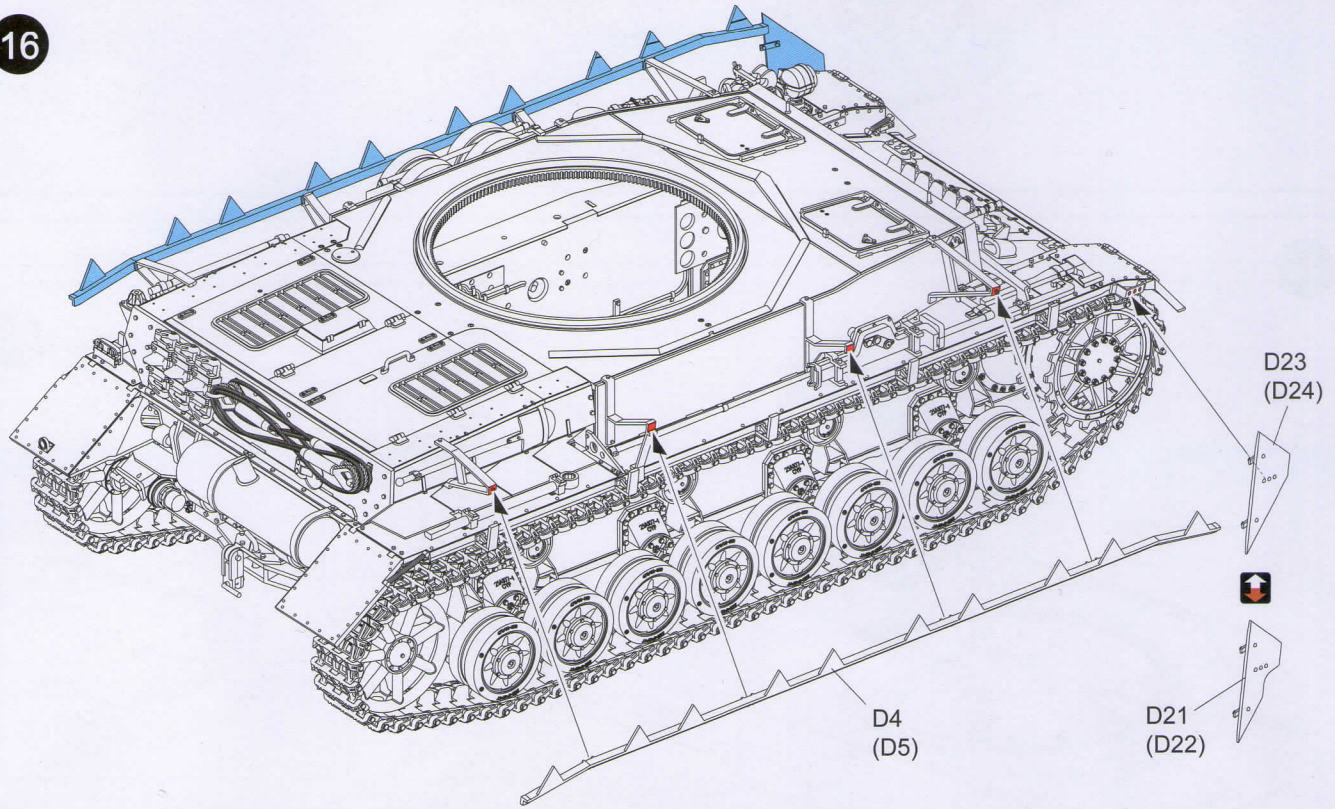
14



15



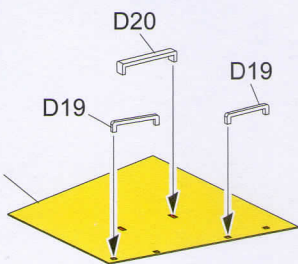
16



MAKE2  
制作2组

**A7**

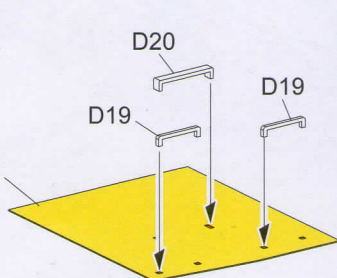
Ya5  
(Ya8)



MAKE2  
制作2组

**A8**

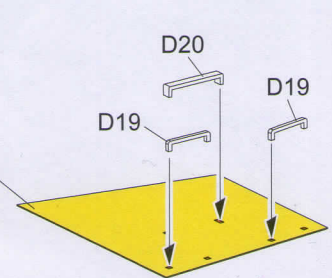
Ya4  
(Ya9)



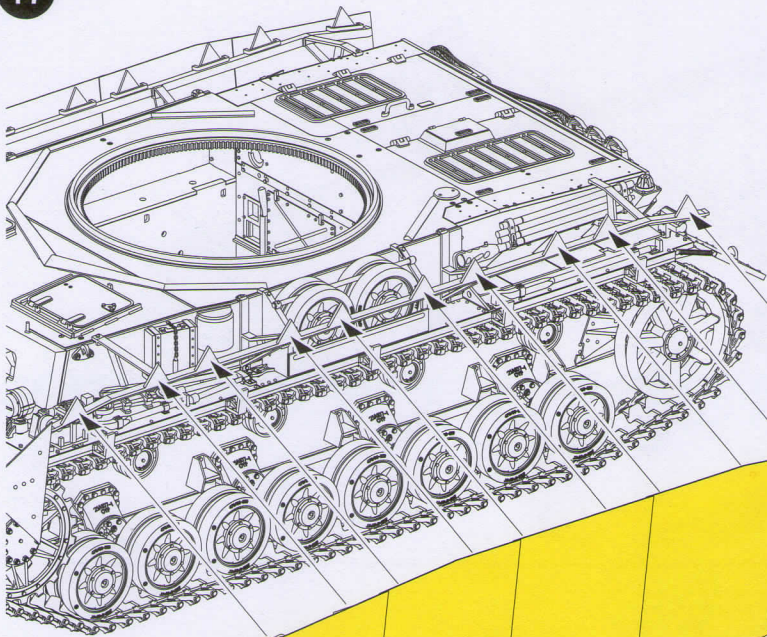
MAKE2  
制作2组

**A9**

Ya3  
(Ya10)



17



A7 (A7)

A8 (A8)

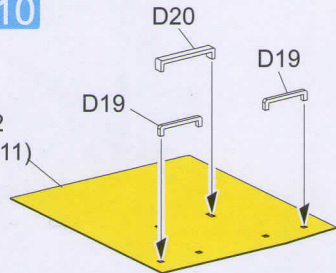
A9 (A9)

A10 (A10)

MAKE2  
制作2组

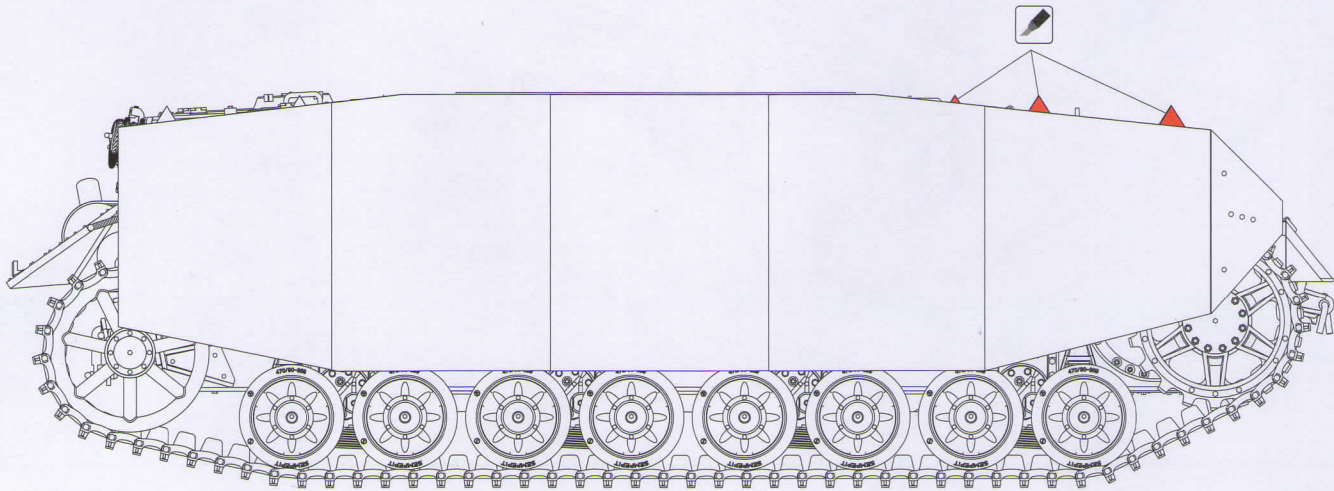
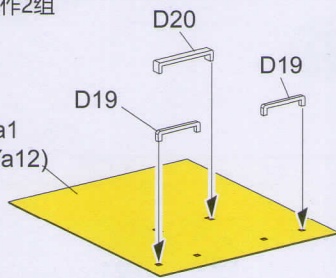
A10

Ya2  
(Ya11)

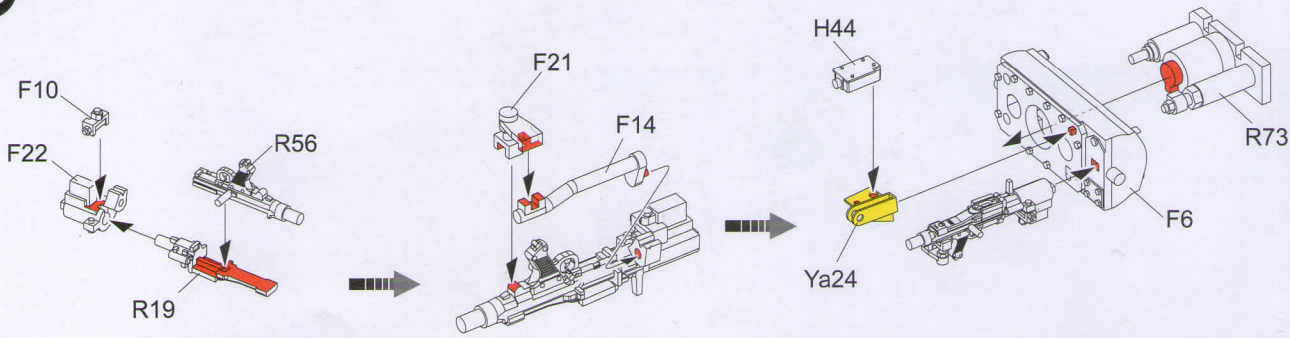


MAKE2  
制作2组

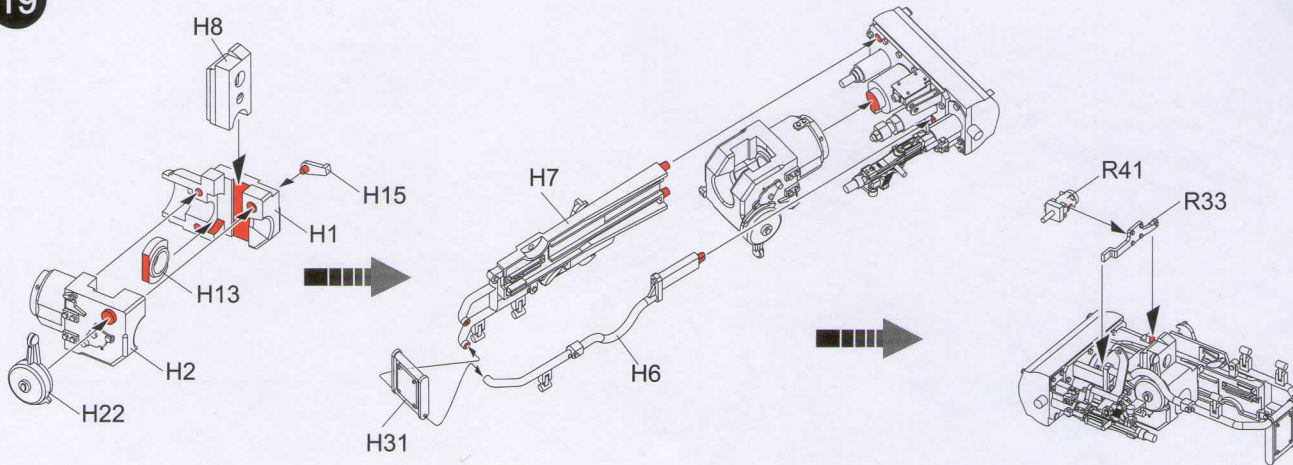
Ya1  
(Ya12)



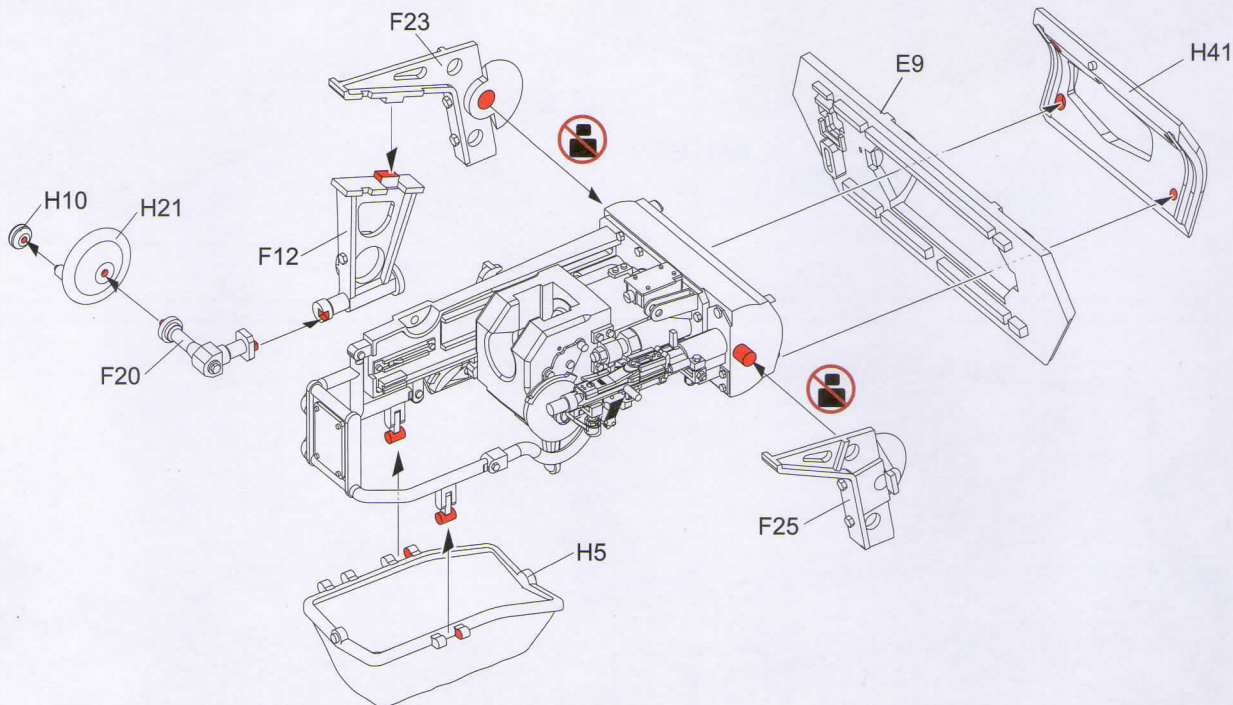
18



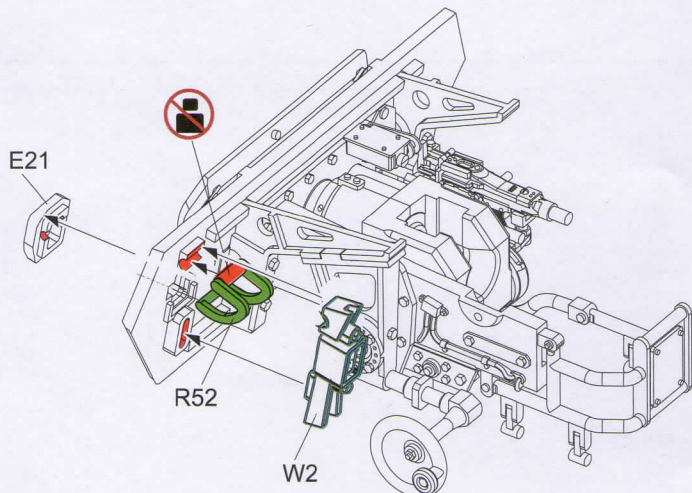
19



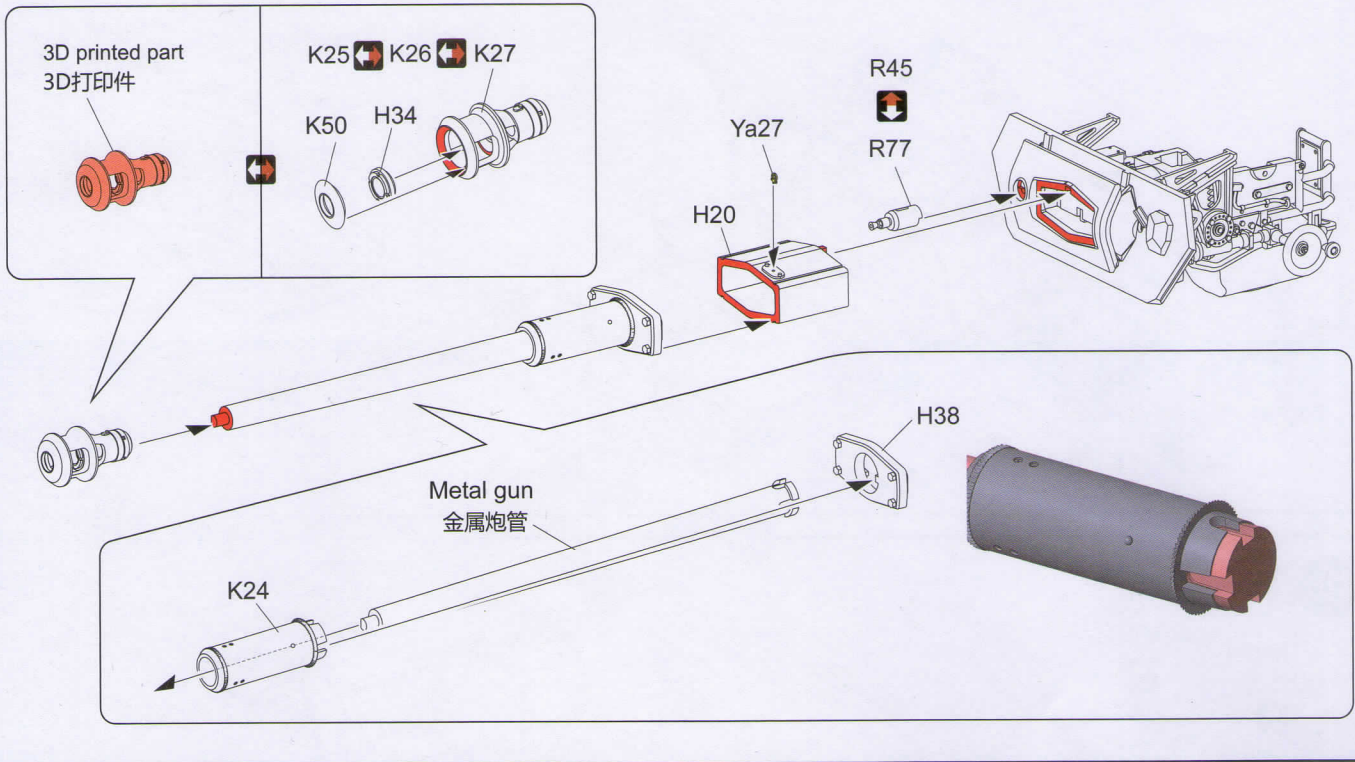
20



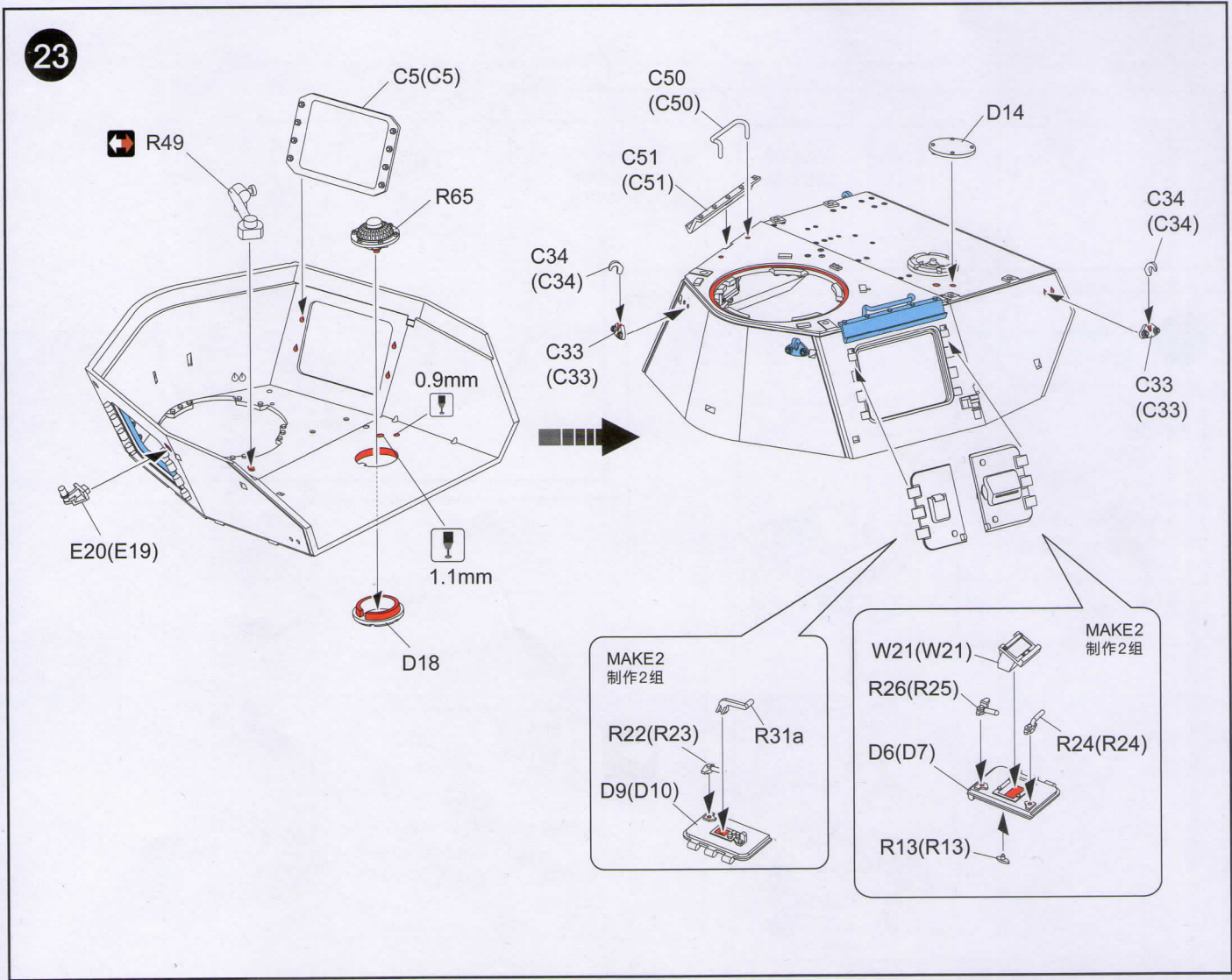
21



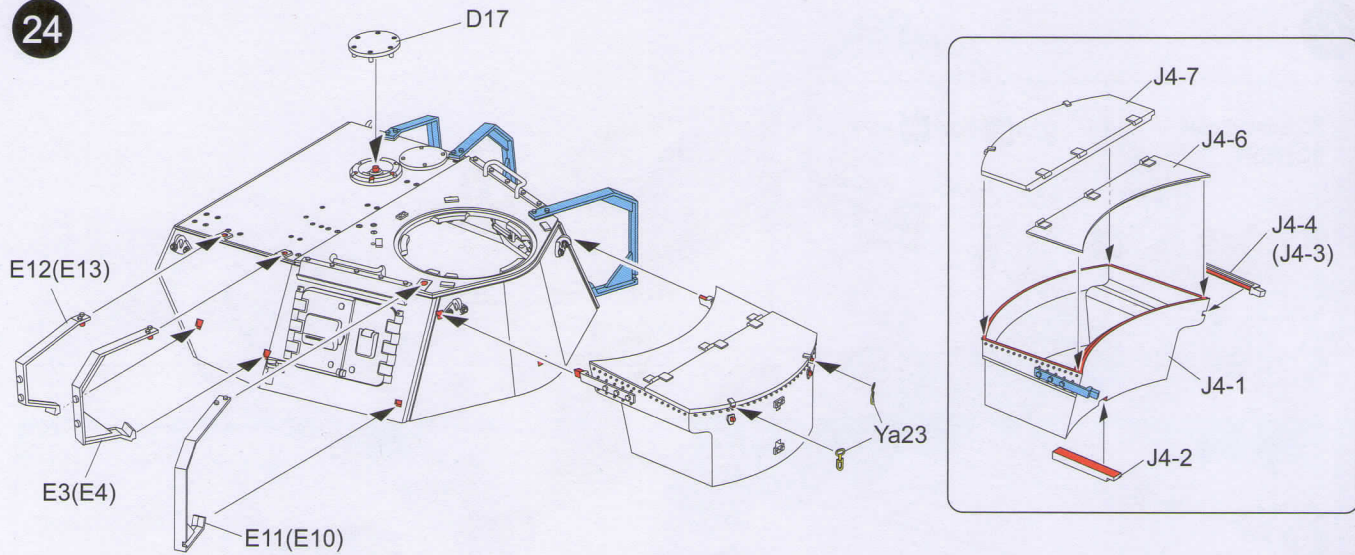
22



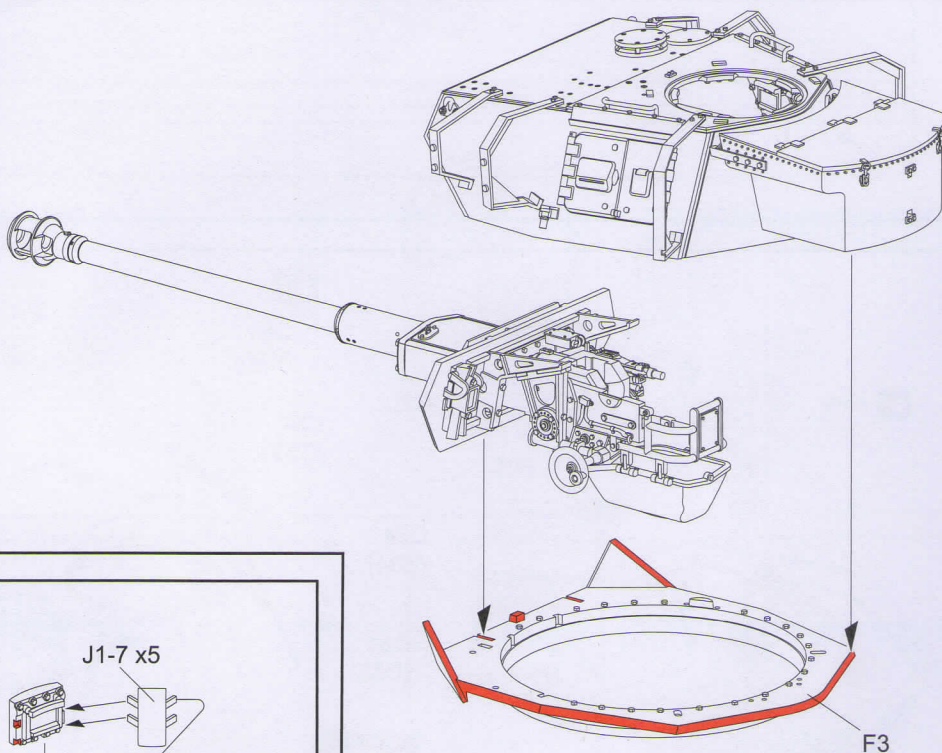
23



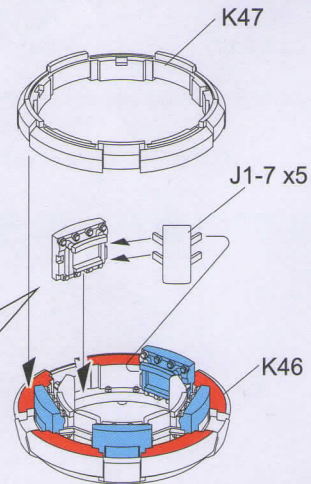
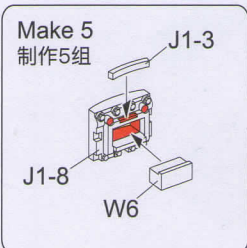
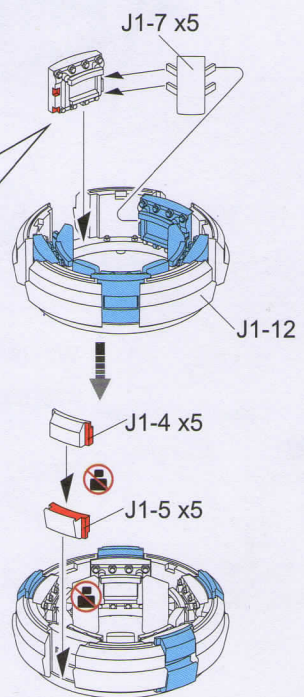
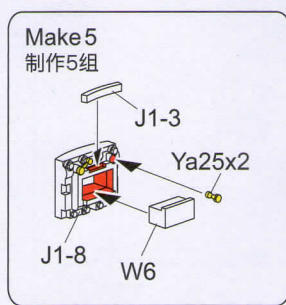
24



25

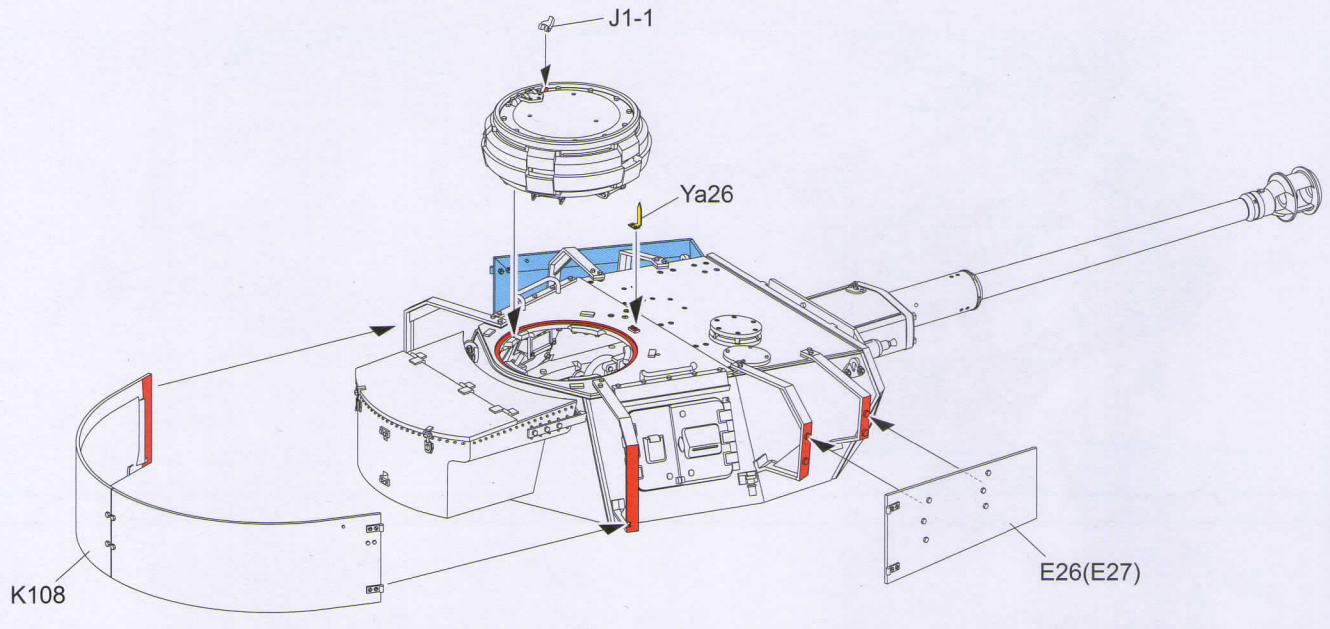
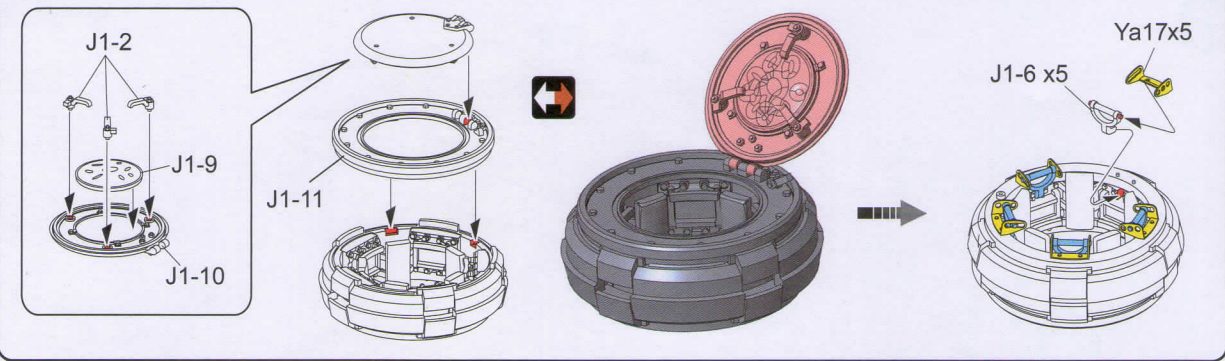


26

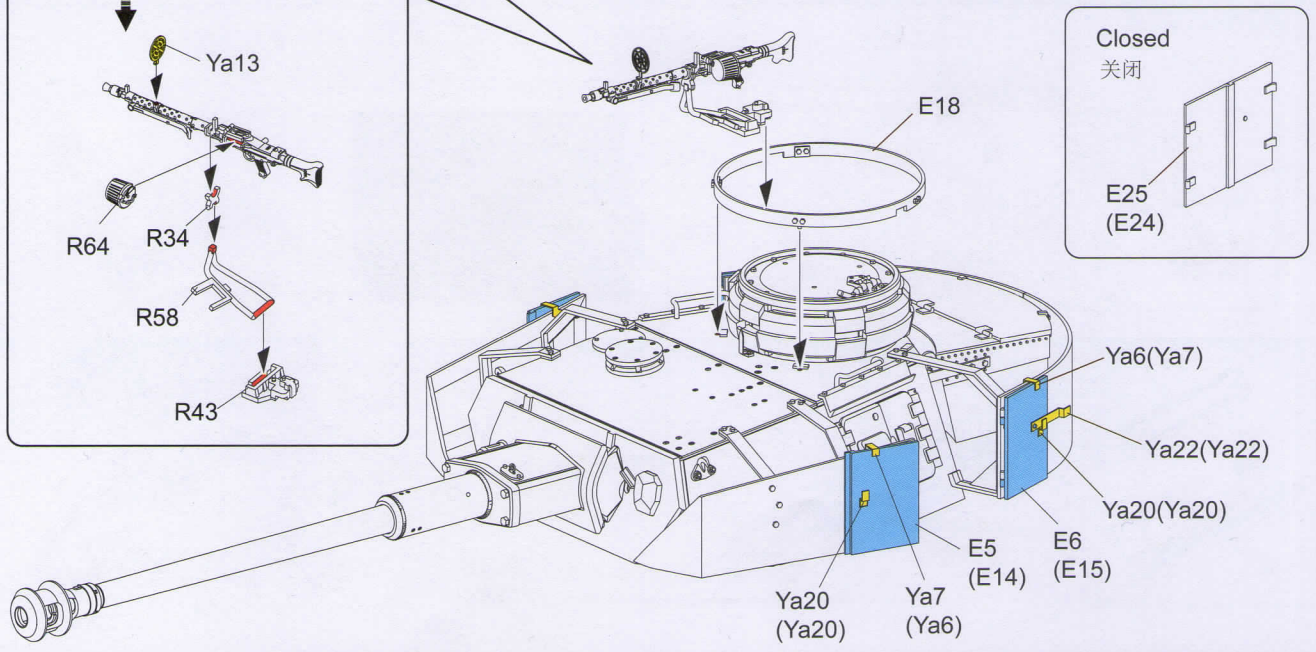
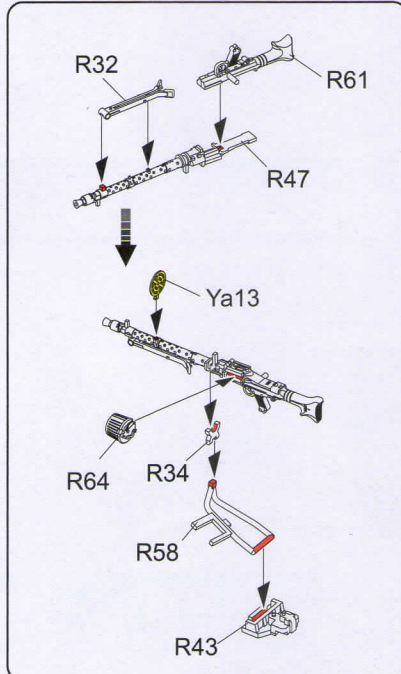


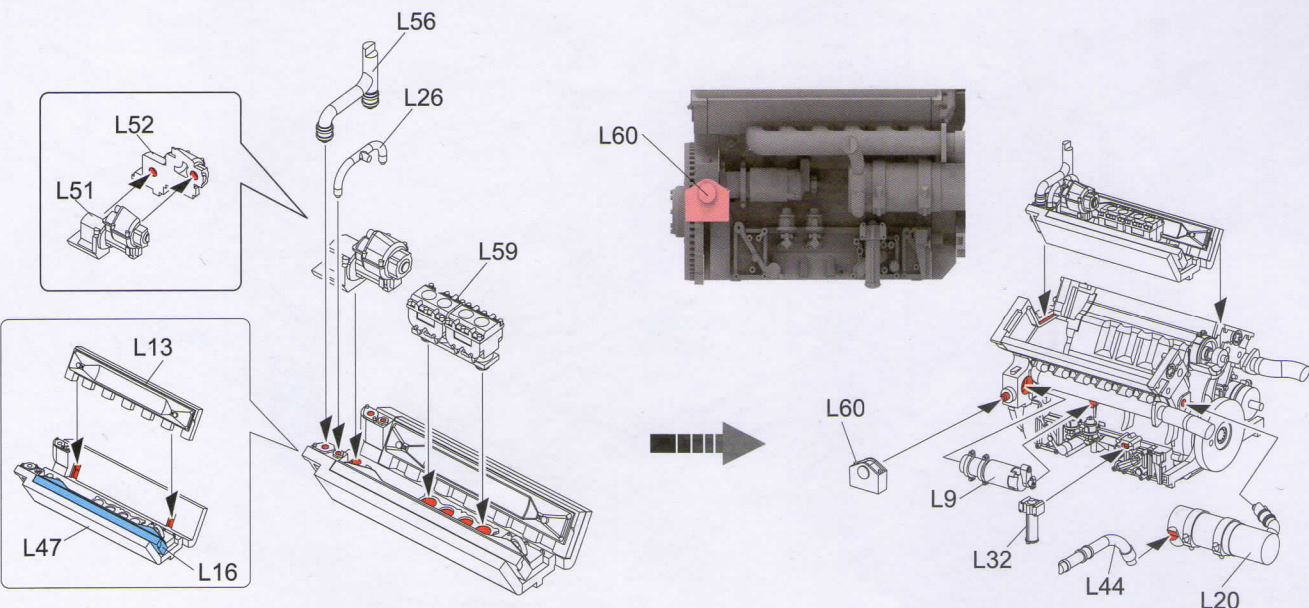
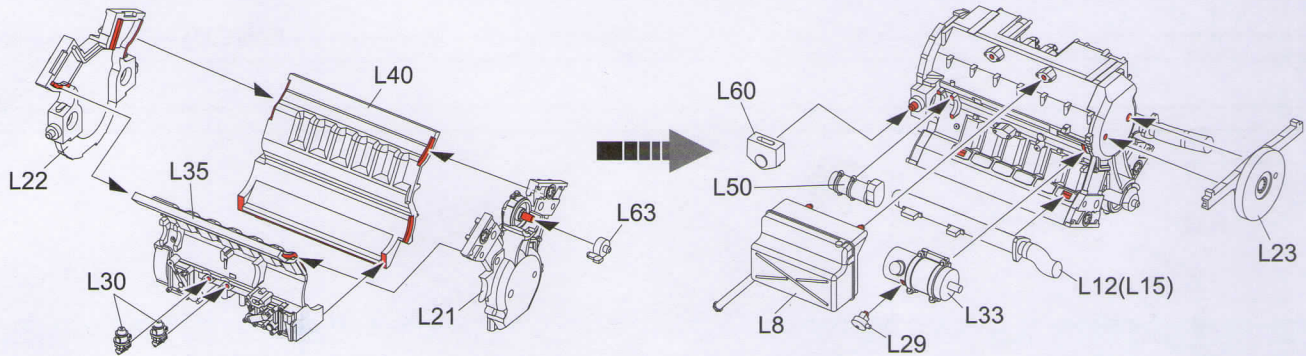
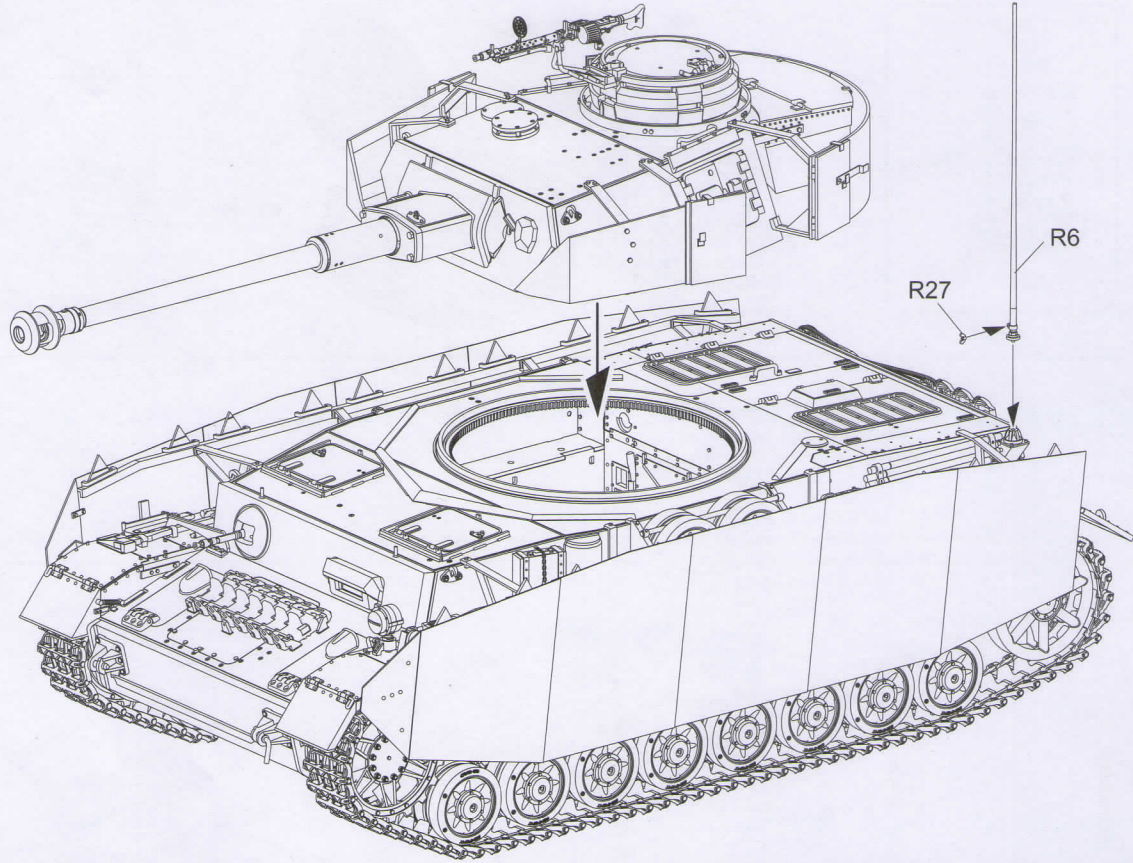


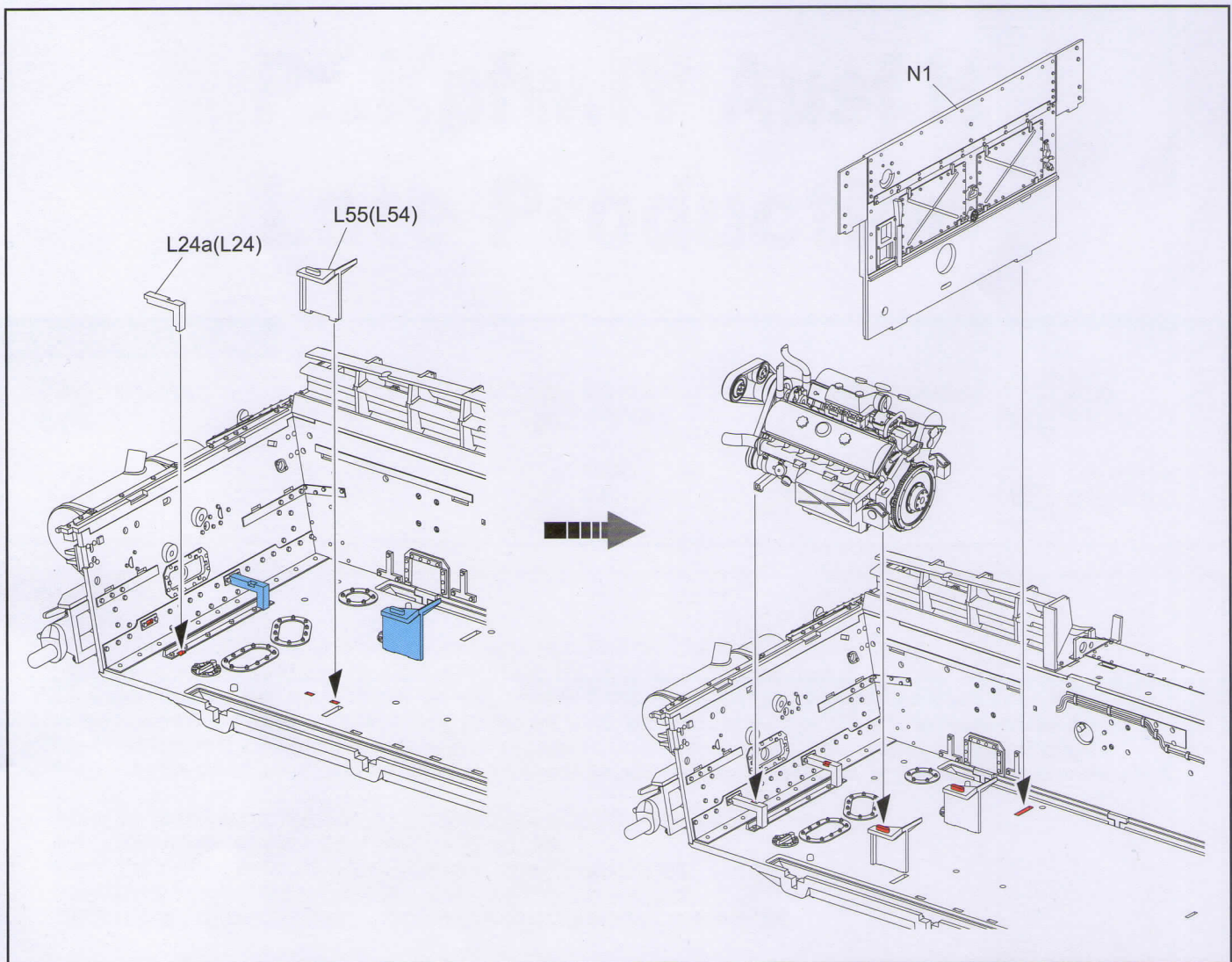
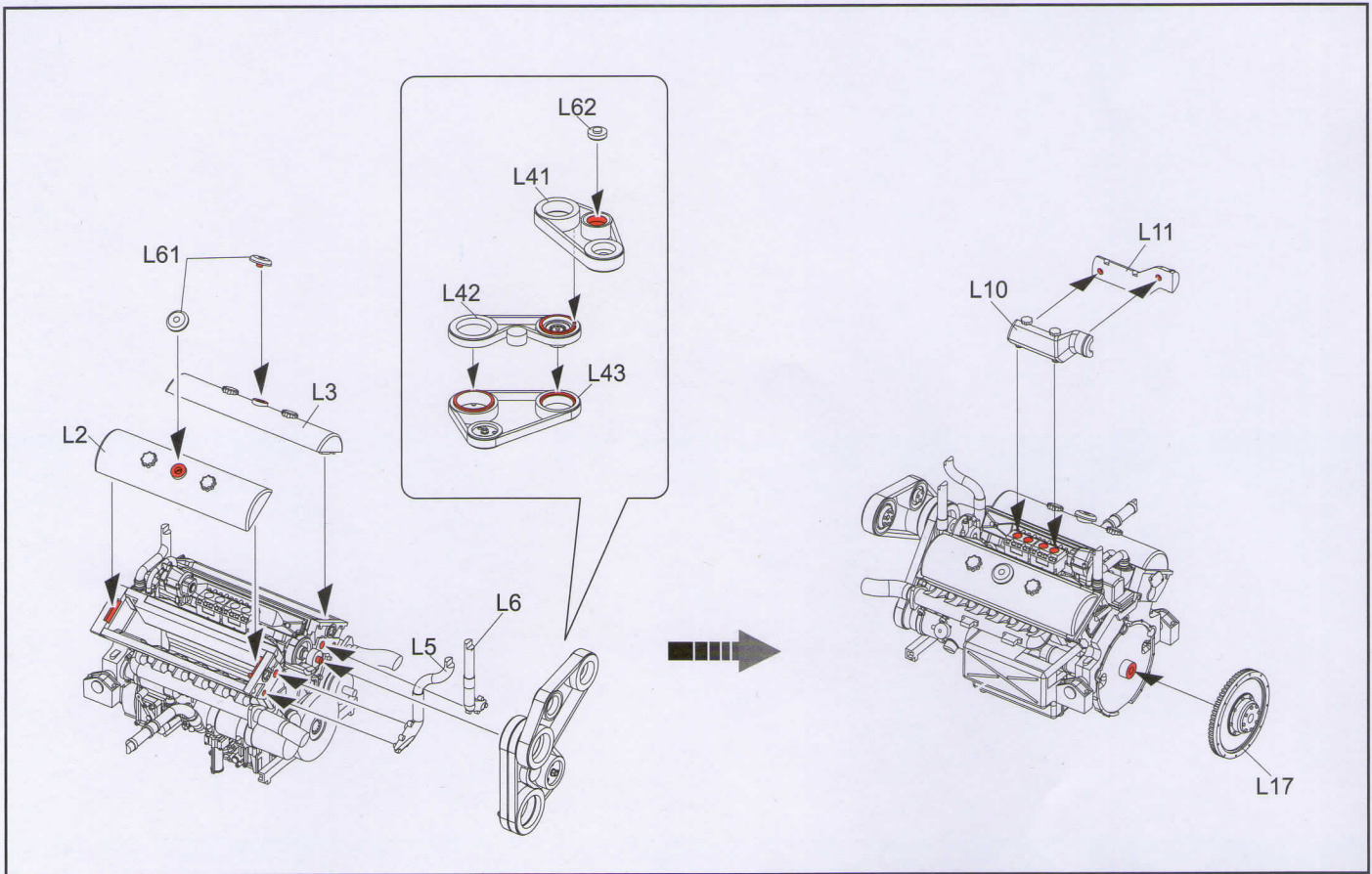
27



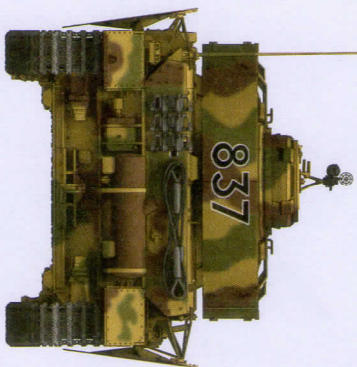
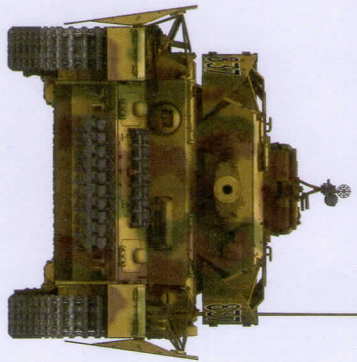
28



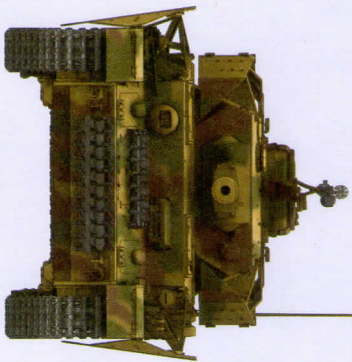




8./PZ.RGT.12, 12.PZ.DIV."HITLERJUGEND", FRANCE 1944



8./PZ.RGT.3, 2.PZ.DIV., NORMANDY 1944



6./PANZERREGIMENT, 2.SS PANZERDIVISION, NO.631, AUGUST 1944 NORMANDY

