

Wolfpack

www.wolfpack-d.com



SH-60/HH-60 Seahawk Tail Folding set for Italeri 1/48

WP48125

**1/48
Scale**

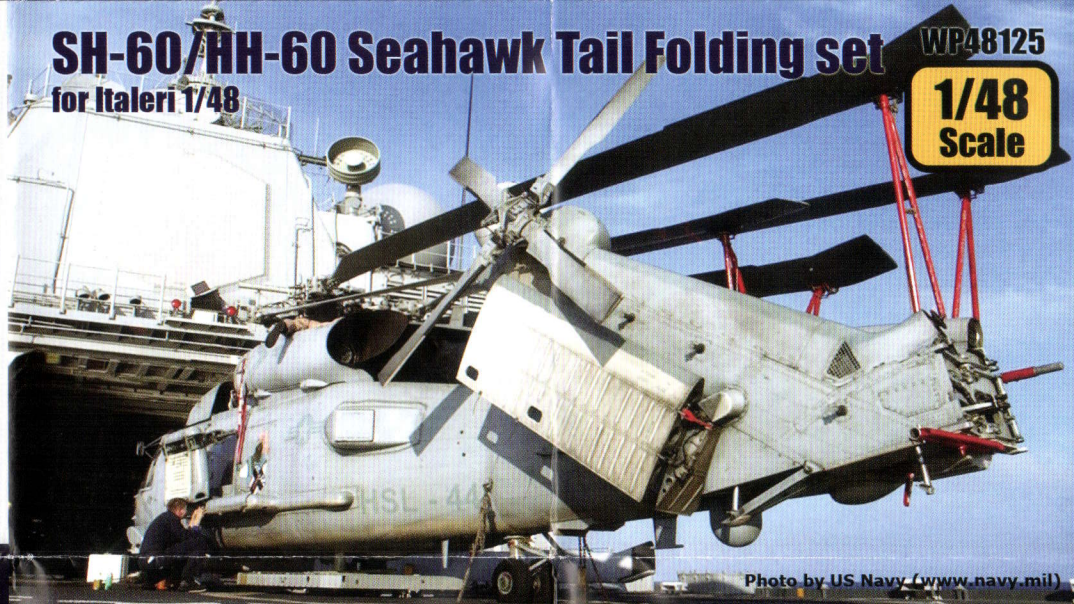
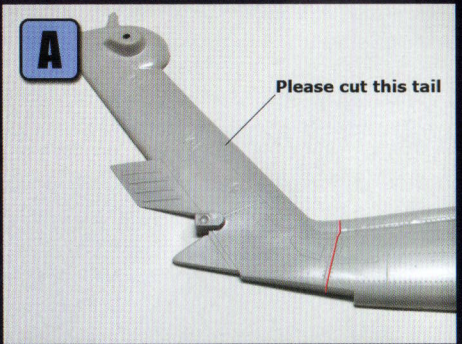
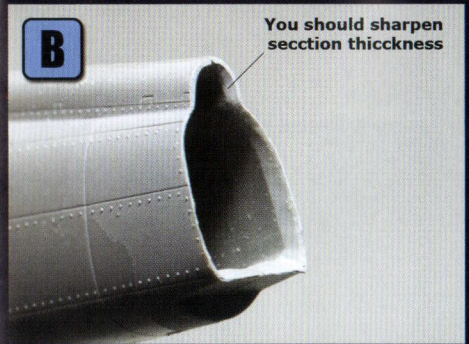


Photo by US Navy (www.navy.mil)

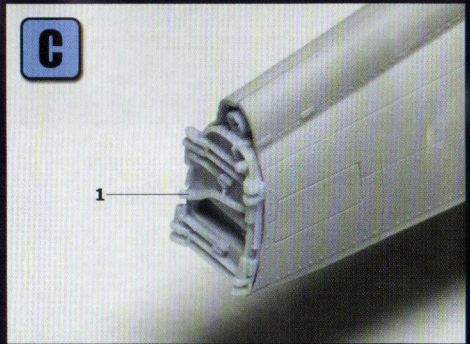
*Total : 6 resin parts



(A) Cutting
Please cut kit's tail wing same as upper photo.

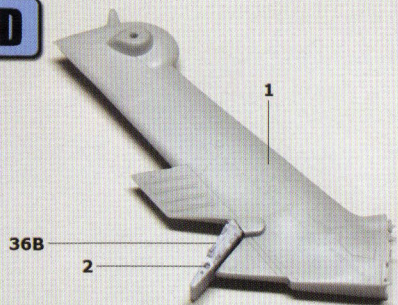


(B) Section thickness



(C) Section frame

*This set is available for Italeri 1/48 and Skunkmodels Workshop.

D**(D) Folding tail****(E) Final assembly**

Finally, you have to install the folding tail.

*** Recommended and suggested kit**

Italeri 1/48 SH-60B Seahawk

Italeri 1/48 HH-60H Seahawk

Skunkmodels Workshop 1/48 HH-60H Seahawk

Skunkmodels Workshop 1/48 HH-60J Jayhawk



Photo by Gustav Jung

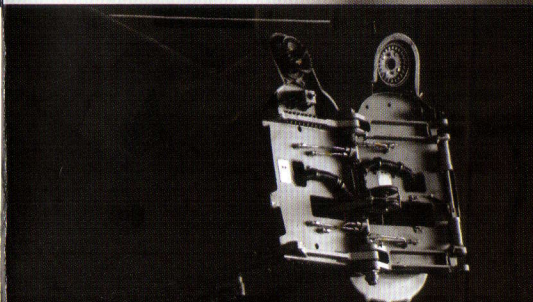
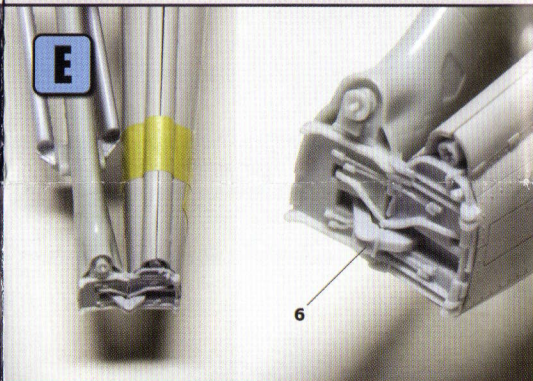
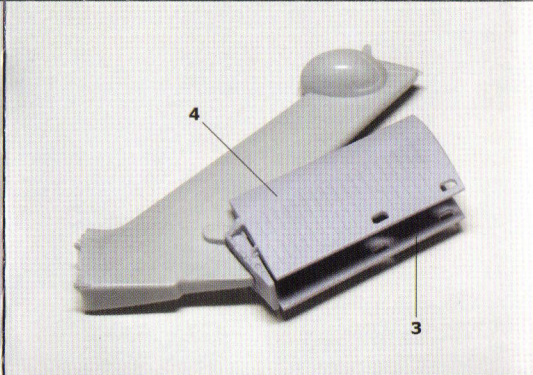


Photo by Andreas Zeitler

WARNING !

- 1. This is not a Toy.**
- 2. Experienced modellers only.**
- 3. Not for age under 10.**
- 4. Don't inhale & eat resin dust.**
- 5. Glue and paint are not included.**

www.wolfpack-d.com

References from

US Navy (www.navy.mil)

Special thanks to

Hobbydecal

Wolfpack-design Copyright(c)2011
 F2, I-dong, Sangroku, Ansan-si, Gyungido,
 426-863, Republic of Korea