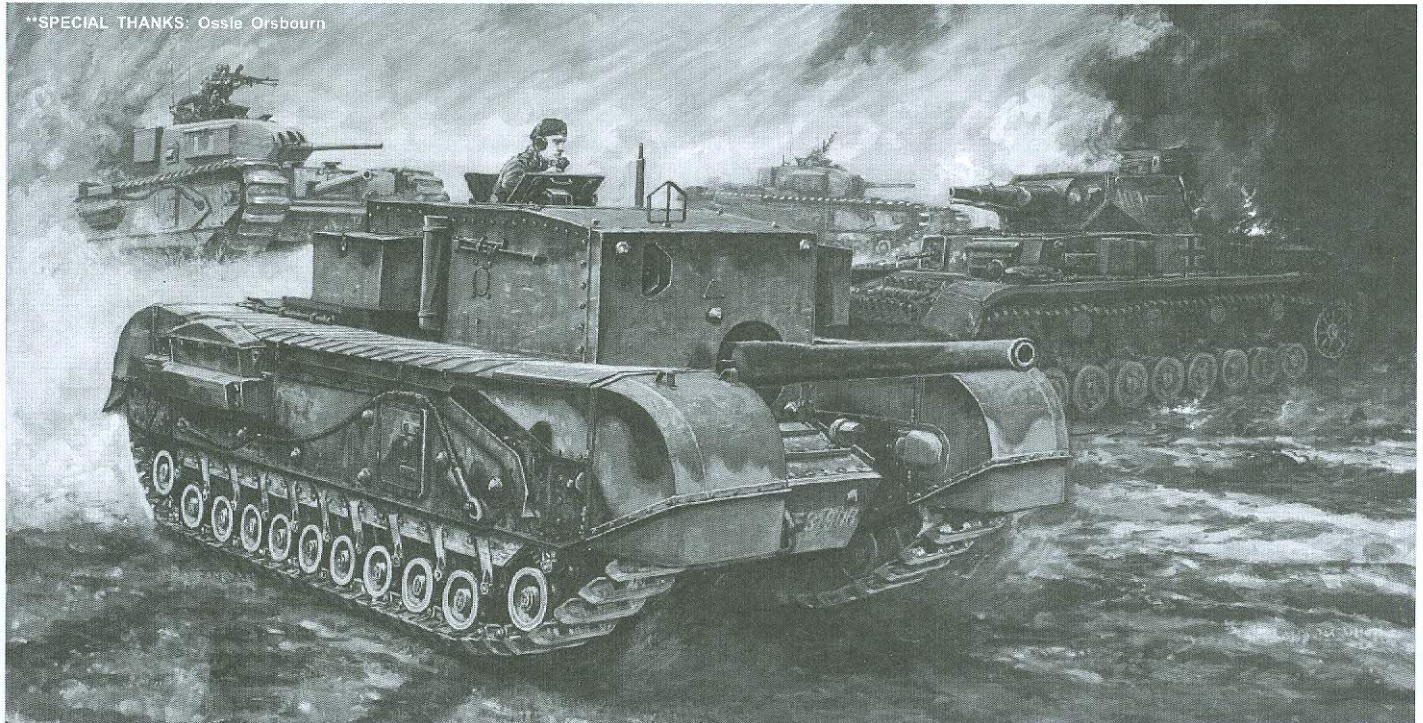




**SPECIAL THANKS: Ossie Orsbourn



As the performance of the British tanks confronting the German Africa Corps in 1941 didn't satisfy the British authority. In the meantime, they received Intelligence indicating that German was developing new heavy tanks. Therefore, the British General Staff demanded the Tanks and Transport committee to investigate the possibilities of mounting bigger caliber guns on the Cruiser Tanks and the Infantry Tanks.

There were two projects. One is the project of the Cruiser Tank, The Tanks and Transport committee chose the Challenger Cruiser Tank (A30), which mounted a 17 pdr on a Cromwell Cruiser Tank chassis that was still under development. The other one is the project of the Infantry Tank. It was designated to use 3 inch AA guns which were disposed by Anti - aircraft divisions in 1938 on the Churchill Infantry Tank chassis.

In The project of the Cruise Tank it was found difficult that lots of modifications were required such as extending the length of hull、width of the fighting compartment and reducing armor for weight lightening.

On the contrary, the project of using the Infantry Tank chassis could be achieved within a short period of time. The wooden model was completed in July 1941. A fixed box fighting compartment was used to mount a 3 inch gun instead of a smaller original turret. The fighting compartment was with protection of 3.5 inches thick armor. The 3 inch gun was positioned on a ball mount on a little bit left to obtain 10 degrees of horizontal angle of fire. It could carry 55 Armour-piercing rounds and 10 high explosive rounds.

It was planned to produce 100 3 inch gun carriers. However, since the chassis of the Churchill tanks were converted to mount turrets with 6 pdr guns. Its order was once cut down to 24 and eventually added to 49. The production commenced in May, 1942 and completed all order in November of the same year.

However, When the Churchill 3 inch gun carriers were completed and delivered, the British Army was irresolute about tactical use of them. They were all used for defense of the British mainland. As the threat of German invasion lowered, most of them were converted to use as mine detonating and training vehicles in 1943 to 1944.

由於在1941年的北非戰役中英國戰車在與德國非洲軍交手的表現未臻理想，再加上取得了德國正在發展重型戰車的情報。於是英國參謀總部要求戰車與運輸委員會調查在巡航戰車與步兵戰車上搭載大口徑火炮的可行性。

在巡航戰車這個項目上，戰車與運輸委員會選擇了利用尚處於研發階段的克倫威爾戰車底盤搭載17磅砲的挑戰者(A30)戰車。另外利用自1938年以來，陸續由防空部隊汰換下來的舊式3吋高射砲，安裝到邱吉爾步兵戰車底盤之上這兩種方案。前者的計劃面臨了延長車體、增加戰鬥室寬度以及為了減輕重量而削減裝甲等大幅度修改工作。相形之下利用步兵戰車底盤的計畫卻可以在短期內完成，1941年7月完成木製模型，邱吉爾戰車捨棄了原本過小的砲塔環，改以固定的箱型戰鬥室來容納3吋砲，戰鬥室具有3.5吋厚的裝甲保護，3吋砲的安裝位置稍偏向左側，藉由球型防盾來獲得左右各5°的射角，能攜帶55發穿甲彈與10發高爆彈。原本打算生產100輛這樣的3吋砲載臺，但在邱吉爾戰車底盤被大量挪用做為搭載六磅砲的砲塔之後，在1941年12月訂單一度被減少至24輛，最後又被追加至49輛，1942年5月開始生產，並在同年11月中完成全部的生產。

英國人對於生產完成的邱吉爾3吋砲載臺在戰術的運用上顯得舉棋不定，因此將它們全數留在英國擔任本土的防衛。在德國入侵的威脅降低之後，其中大部份在1943~44年間被改裝為排雷車或做為訓練之用。

イギリス参謀本部は、1941年の北アフリカ戦線におけるドイツ軍戦車との戦闘を通じて、自軍戦車の性能が劣っていることを痛感、またドイツ軍の新型重戦車開発の情報に接し、戦車委員会に対し、既存の巡航戦車と歩兵戦車に、より大きな砲を搭載することについての調査研究を要求した。

これに対し戦車委員会は、巡航戦車の計画ではクロムウェル戦車の車体に開発中の17ポンド砲を搭載する案を提出し、チャレンジャー(A30)と名づけた。歩兵戦車の計画では、チャーチル戦車の車体に、防空部隊で使用しなくなった3インチ高射砲を搭載することとした。巡航戦車の計画では車体の延長、戦闘室の拡張、重量軽減のための装甲削減といった再設計に多くの時間が必要とされたのに対し、歩兵戦車の場合は、大口徑砲を載せることが容易で開発が短期間に行えた。

1941年7月には、チャーチル戦車の車体にモックアップの戦闘室を載せた試作車が完成した。この“新チャーチル戦車”では、狭い砲塔リングは不採用となり、代りに固定式の四角い戦闘室が据えられた。戦闘室は3.5インチ厚の装甲版に守られ、3インチ砲は正面中心からわずかに左寄りに設置され、左右5度ずつの射角を持っており、車内に55発の徹甲弾、10発のHE弾を搭載していた。チャーチル/ガンキャリアは、最初100輛の生産が計画されたが、もとのチャーチル戦車に従来より大きな6ポンド砲を搭載したタイプが登場したため、生産計画は24輛に削減されてしまったが最終的には49輛が発注され、1942年5月から11月の間に生産された。

しかしイギリス陸軍は、チャーチル/ガンキャリアに関して明確な戦術用法を持たなかったため、この新開発兵器は、すべて本国防衛の予備部隊に配備された。やがてドイツ軍によるイギリス本土侵攻の脅威が薄れると、1943年から1944年にかけてすべてのチャーチル/ガンキャリアは地雷除去車輛や訓練用車輛へと再改造されたのであった。

Illustration: 圖示說明



Method For Applying Decals: 水貼紙使用說明:

1. Clean Model Surface With Wet Cloth.
 2. Cut Out Of Decal Sheet And Dip Them In Water For 15 Seconds.
 3. Place it on proper position on model.
 4. Slide off base paper leaving decals On Model With Wet Finger Tip.
 5. Move Decals To Exact Position, Push Out Excess Water Under Decal With Soft Cotton Cloth.
 6. When Decals Get Dry Then Complete.
1. 將模型表面擦乾淨
 2. 將貼紙剪下泡入清水中約15秒
 3. 將泡濕之貼紙取出置於欲貼處旁
 4. 用指尖輕推貼紙表面使其滑出底紙
 5. 將貼紙調整至適當位置並輕擦拭水份
 6. 待其自然乾燥後即完成

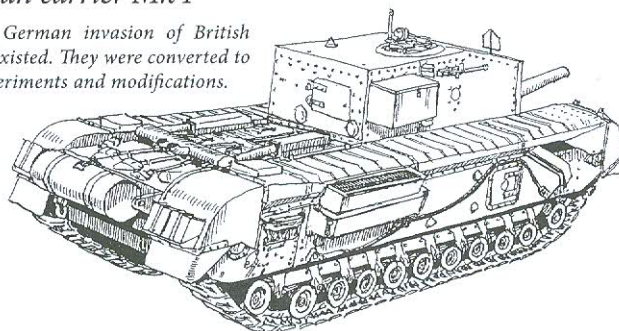
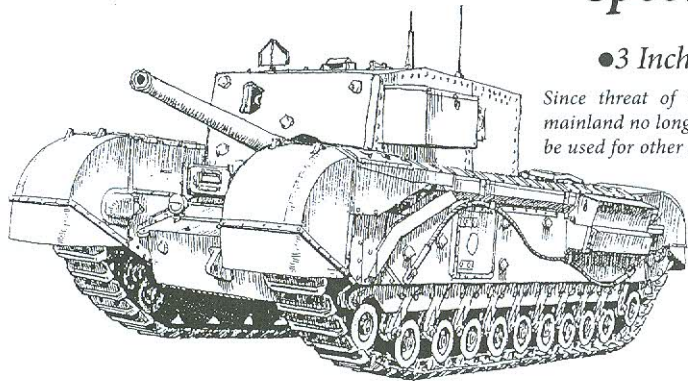
Color list: 塗料表

| Color | Brand | Gunze Sangyo | | | Humbrol | Revell | Life Color |
|--------------------|-------|--------------|-----------|-----------------|---------|--------|-----------------|
| | | Hobby Color | Mr. Color | Mr. Color Spray | | | |
| Khaki green | 卡其綠 | H-80 | C-54 | | | | |
| Sandy Yellow | 沙黃 | H-66 | C-119 | | 168 | | UA020 |
| Steel | 黑鐵 | H-18 | C-28 | J-28 | 53 | 91 | LC76 |
| Tire black | 輪胎黑 | H-77 | C-33+C-62 | | 85 | 302 | LC02 |
| Red | 紅 | H-3 | C-3 | J-3 | 19 | 31 | LC56 |
| Flat white | 消光白 | H-11 | C-62 | J-62 | 34 | 05 | LC01 |
| Red brown | 紅褐 | H-47 | C-41 | J-44 | 160 | 383 | UA085 |
| Brass | 黃銅 | H-9 | C-9 | J-9 | 54 | 92 | LC75 |
| Wood brown | 木棕 | H-37 | C-43 | J-43 | 10 | 81 | UA085/ UA125 |
| Olive drab(2) | 橄欖綠 | H-78 | C-38 | J-38 | 66 | 46 | UA106 |
| Khaki drab FS34088 | 卡其褐 | | | | 159 | | UA221 |
| Dark earth | 深土 | H-72 | C-22 | | 29 | 87 | UA72 |

Special Variants of Churchill tanks

●3 Inch Gun carrier Mk I

Since threat of the German invasion of British mainland no longer existed. They were converted to be used for other experiments and modifications.

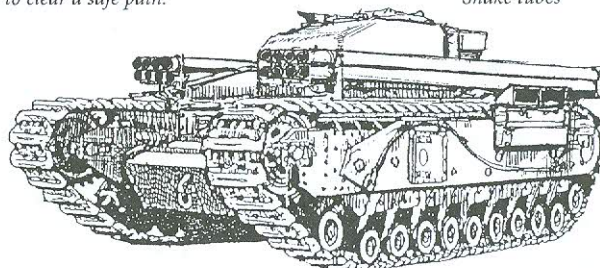
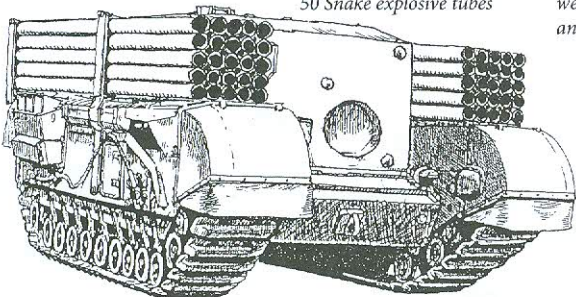


●Churchill Snake

Churchill Snake carried explosive tubes which were delivered to the edge of the mine field and detonated to clear a safe path.

A Churchill snake Mk I which was a Churchill tank modified with 16 Snake tubes

A Conversion of 3 Inch Gun carrier with 50 Snake explosive tubes

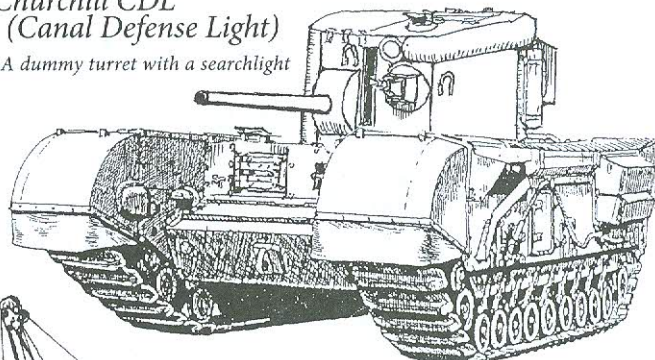
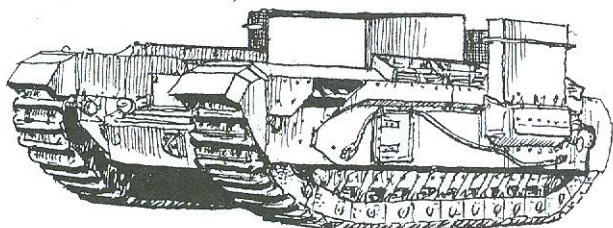


●Churchill BARV

Beach Armoured Recovery vehicle

●Churchill CDL (Canal Defense Light)

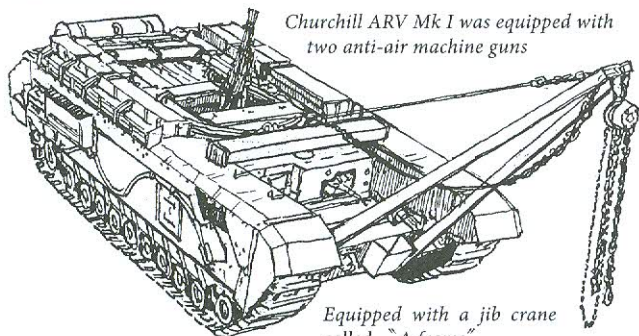
A dummy turret with a searchlight



Armoured Recovery Vehicle used in coastal area

●ARV (Armoured Recovery Vehicle)

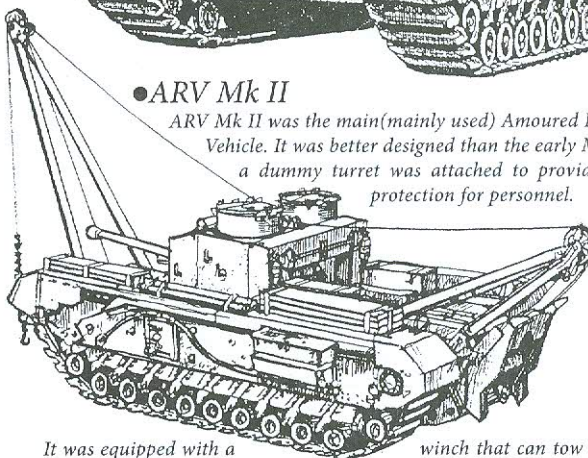
Churchill ARV Mk I was equipped with two anti-air machine guns



Equipped with a jib crane called "A frame"

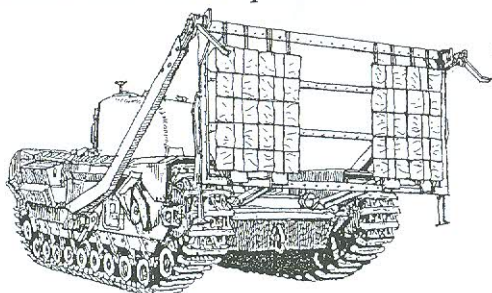
●ARV Mk II

ARV Mk II was the main (mainly used) Armoured Recovery Vehicle. It was better designed than the early Mk I and a dummy turret was attached to provide better protection for personnel.



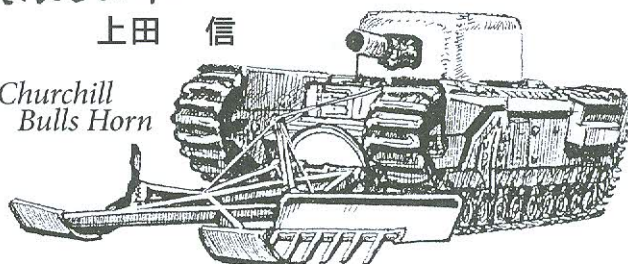
It was equipped with a winch that can tow the weight about 25 tons with an anchor and a jib arm.

●Churchill Onion explosive carrier



Carrying Explosives to demolish coastal bunkers and obstacles

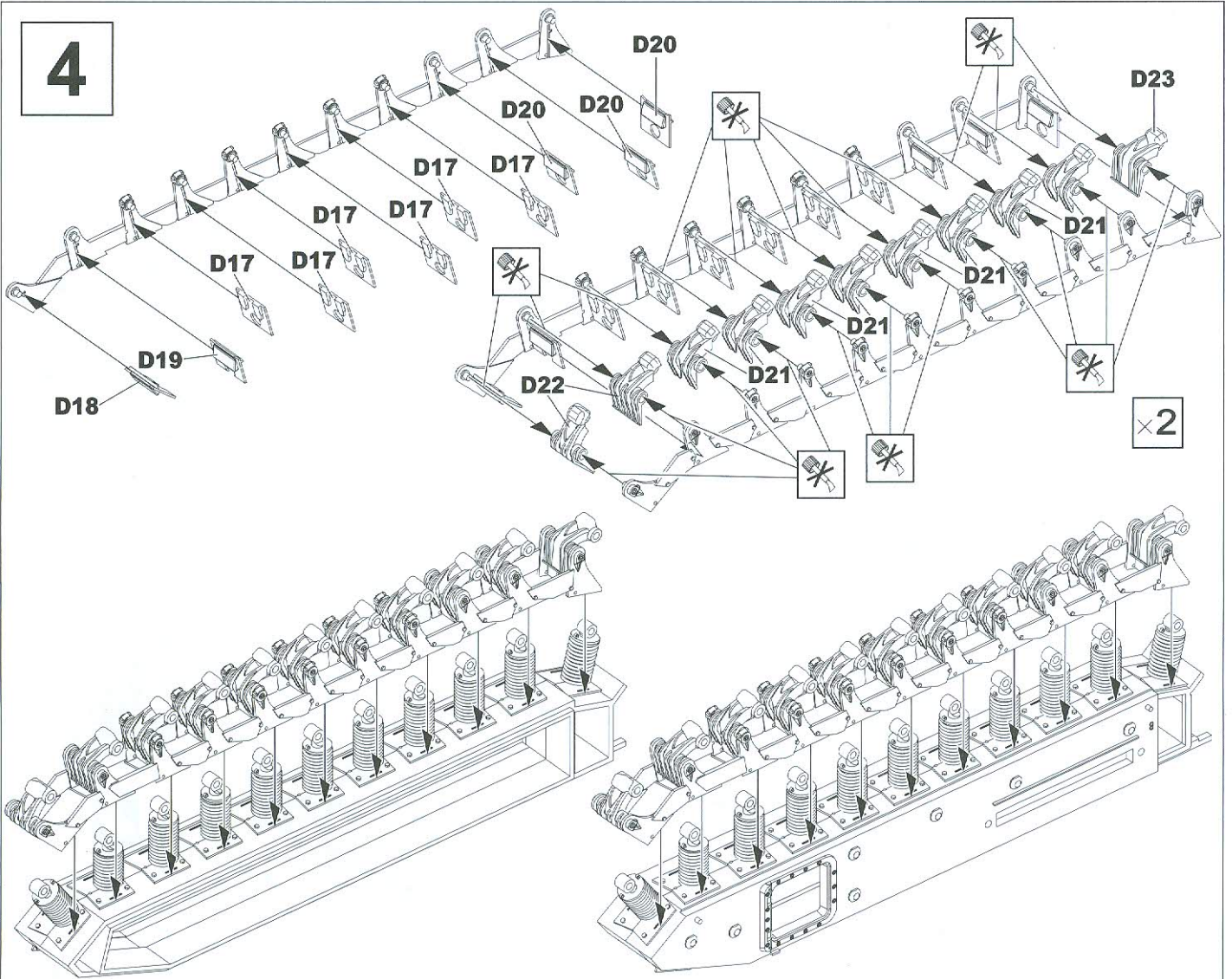
●Churchill Bulls Horn



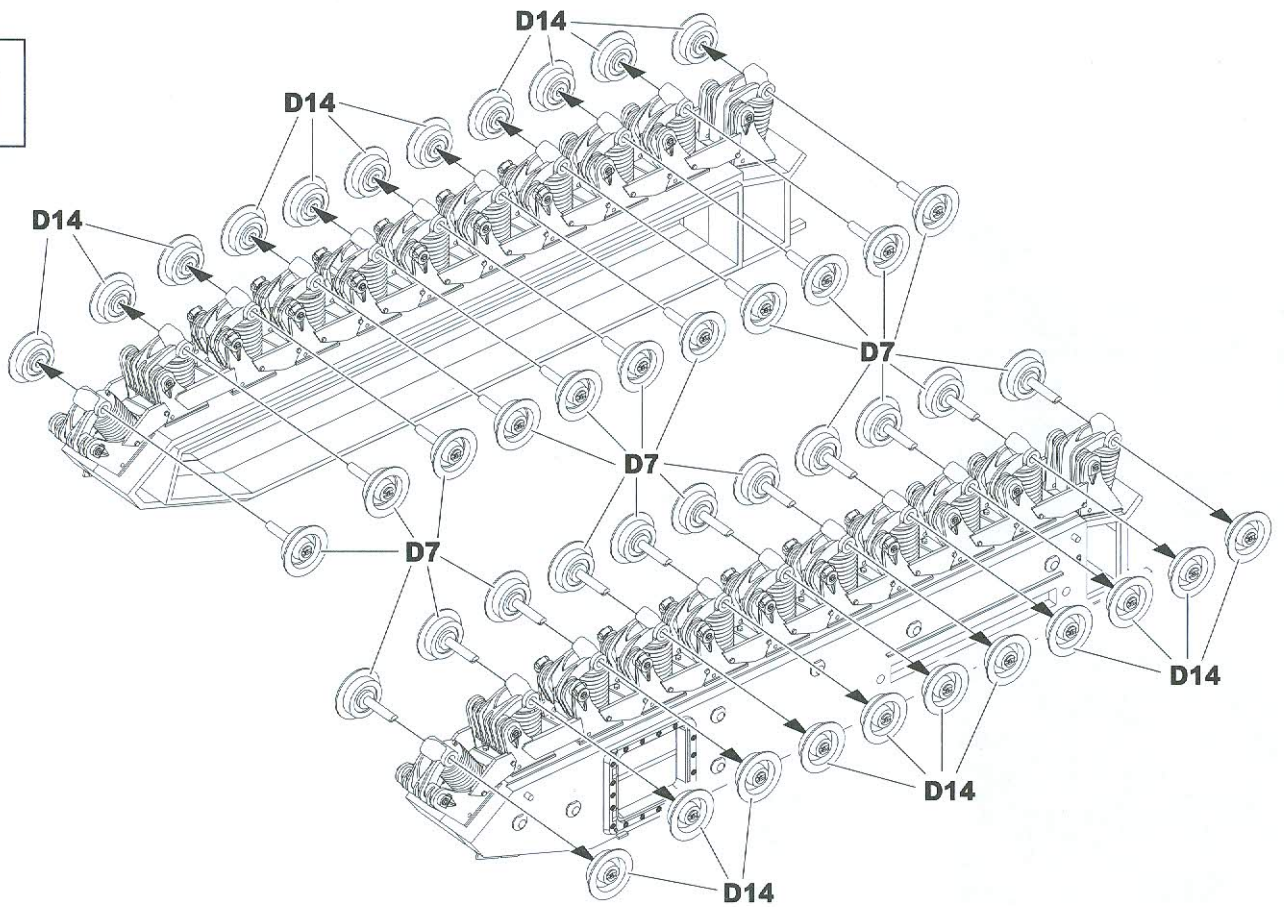
A Churchill AVRE equipped with a mine clearing plough

Shin. ueda
上田 信

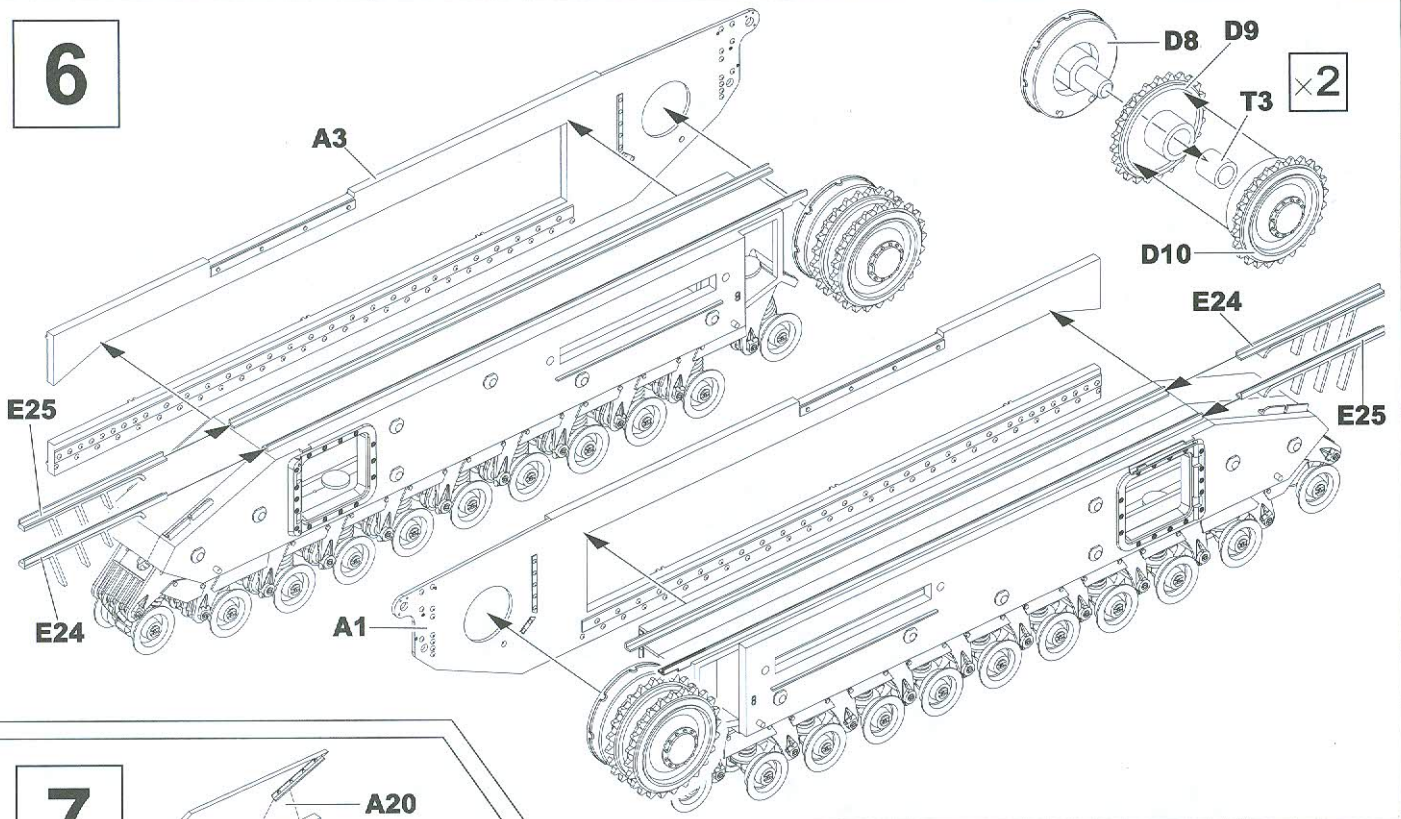
4



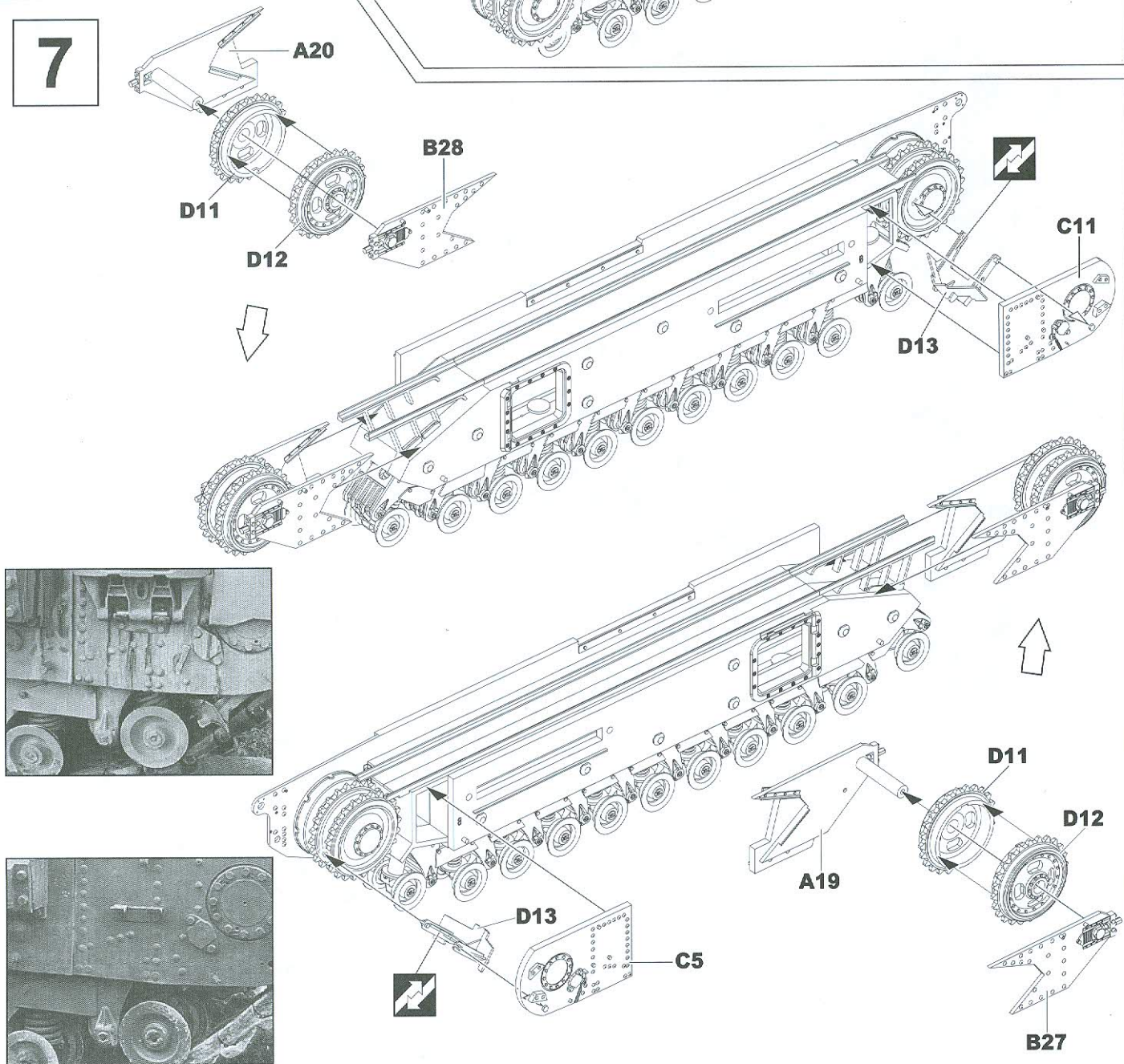
5



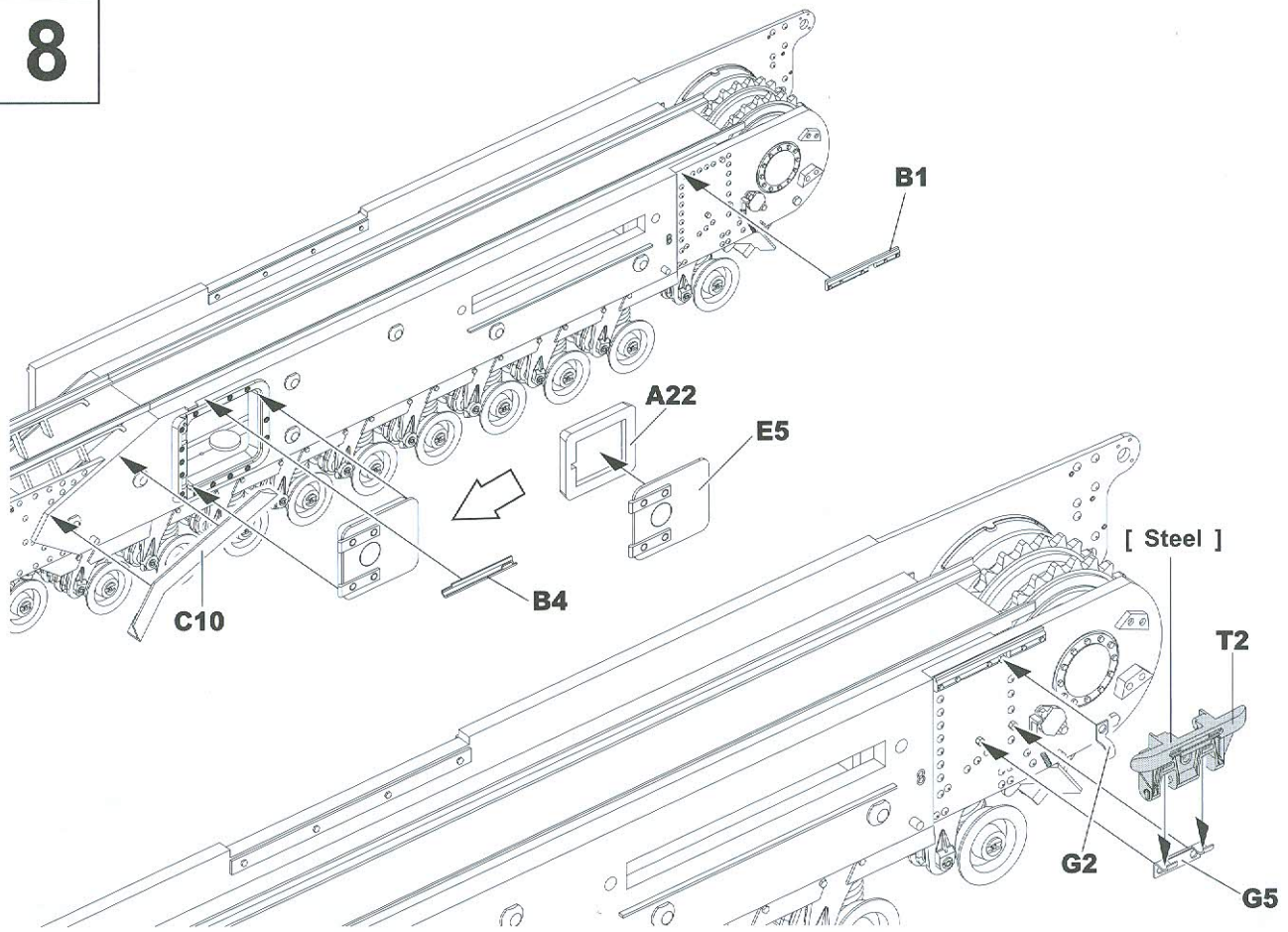
6



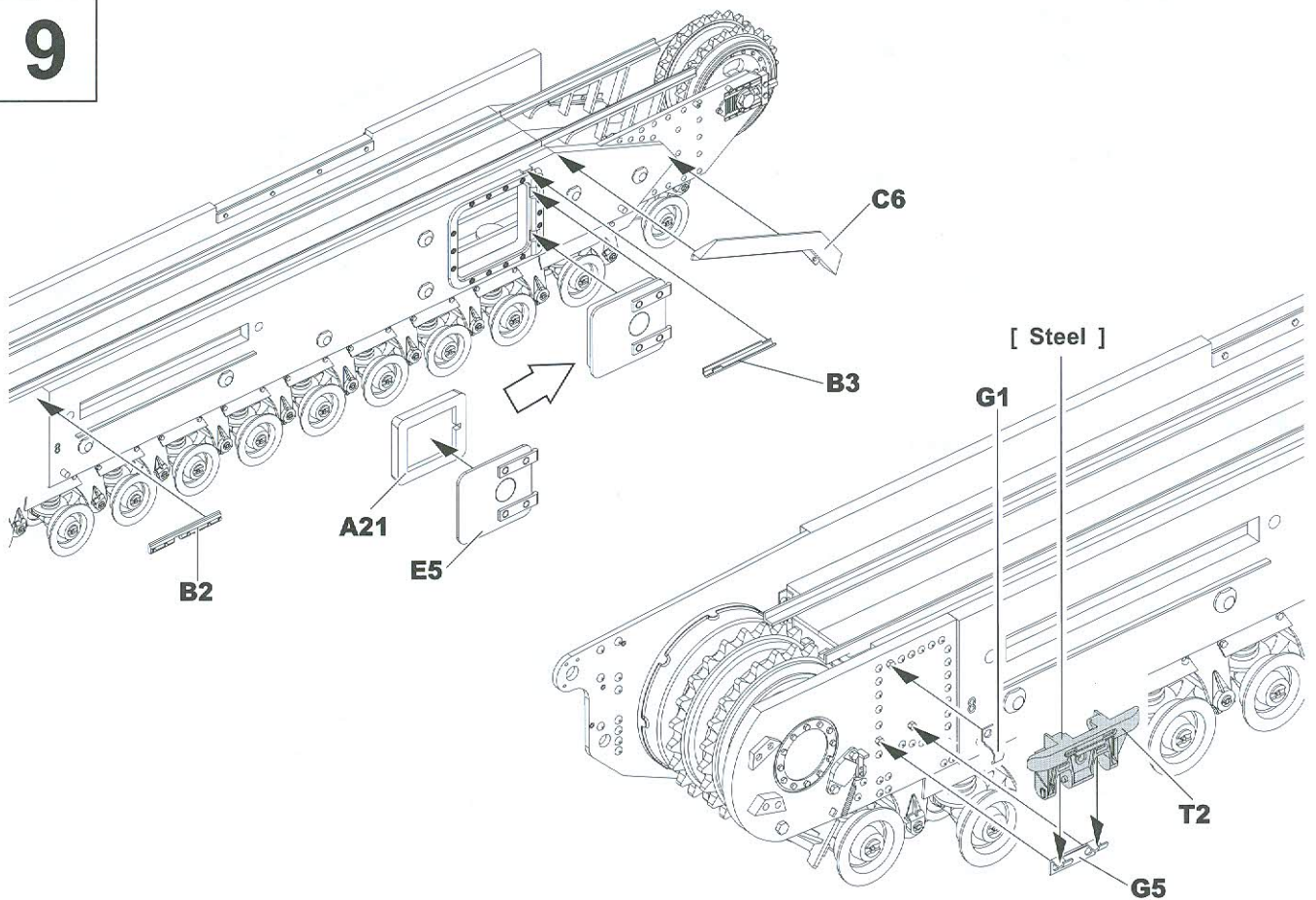
7



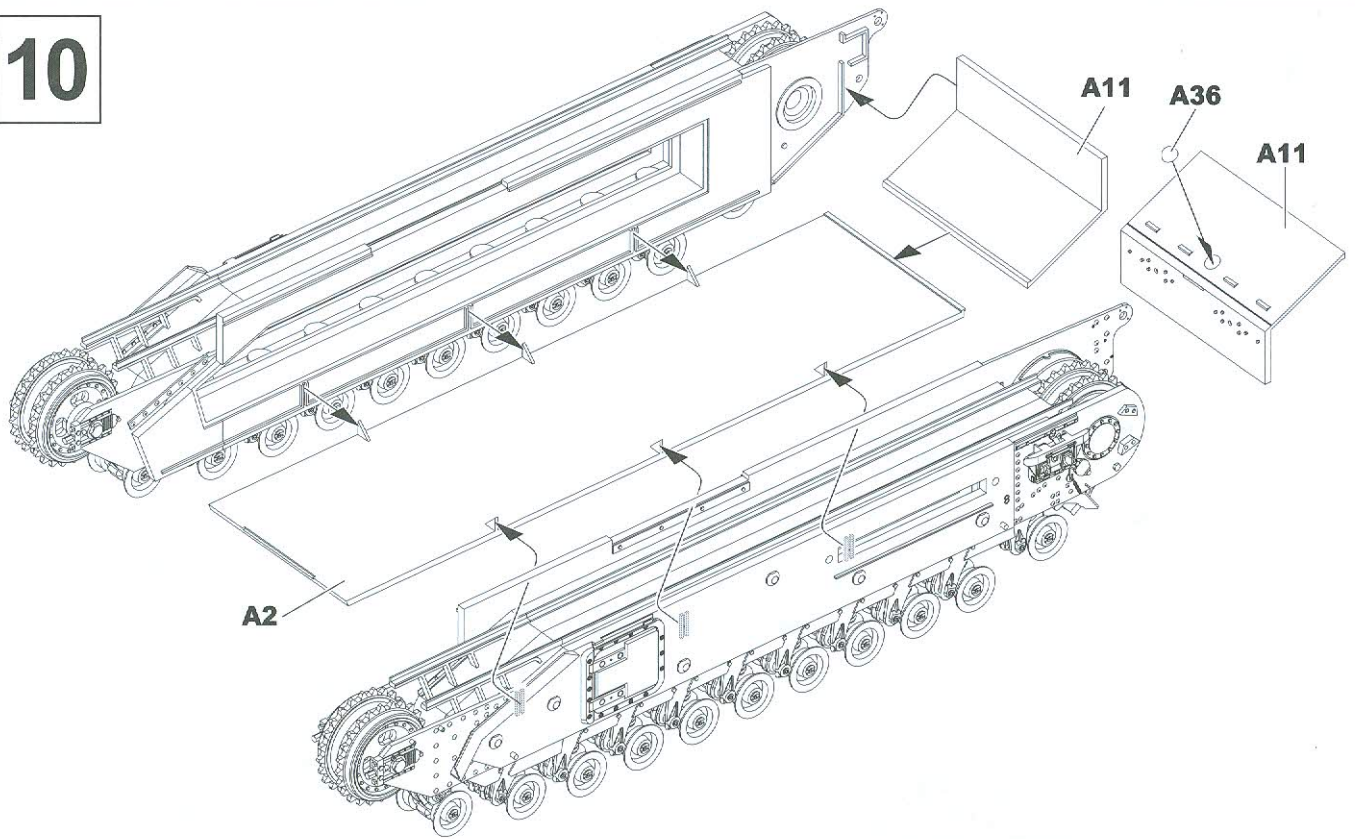
8



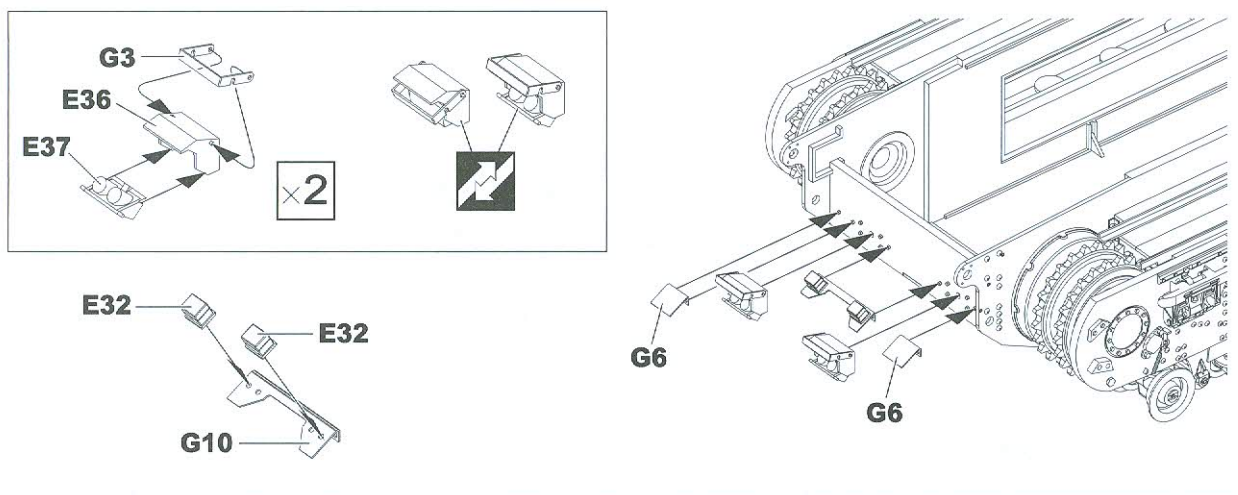
9



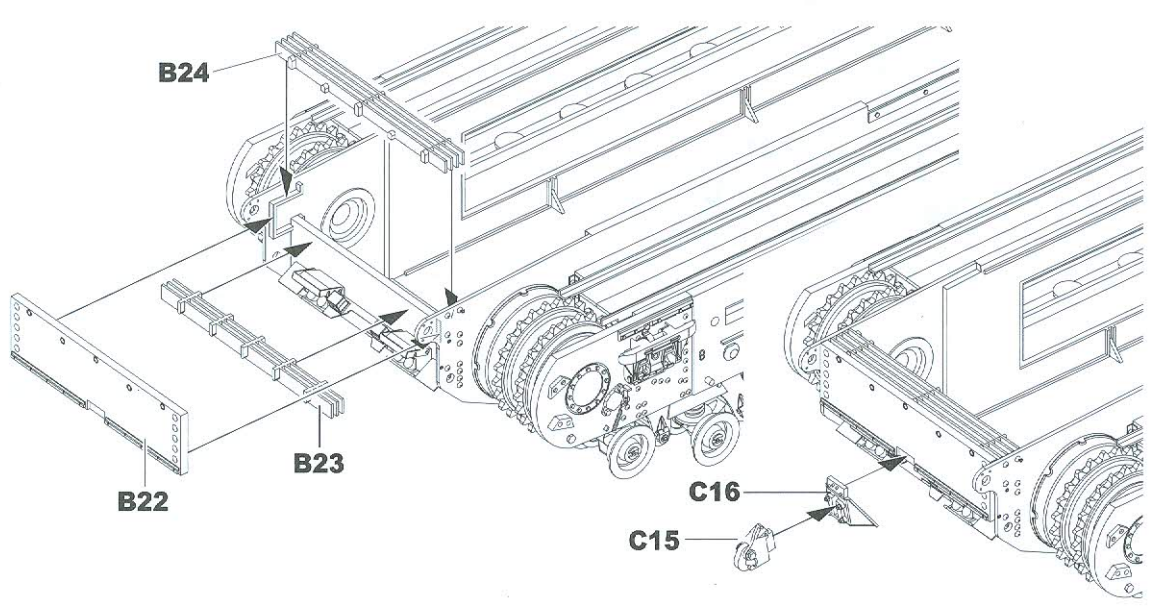
10



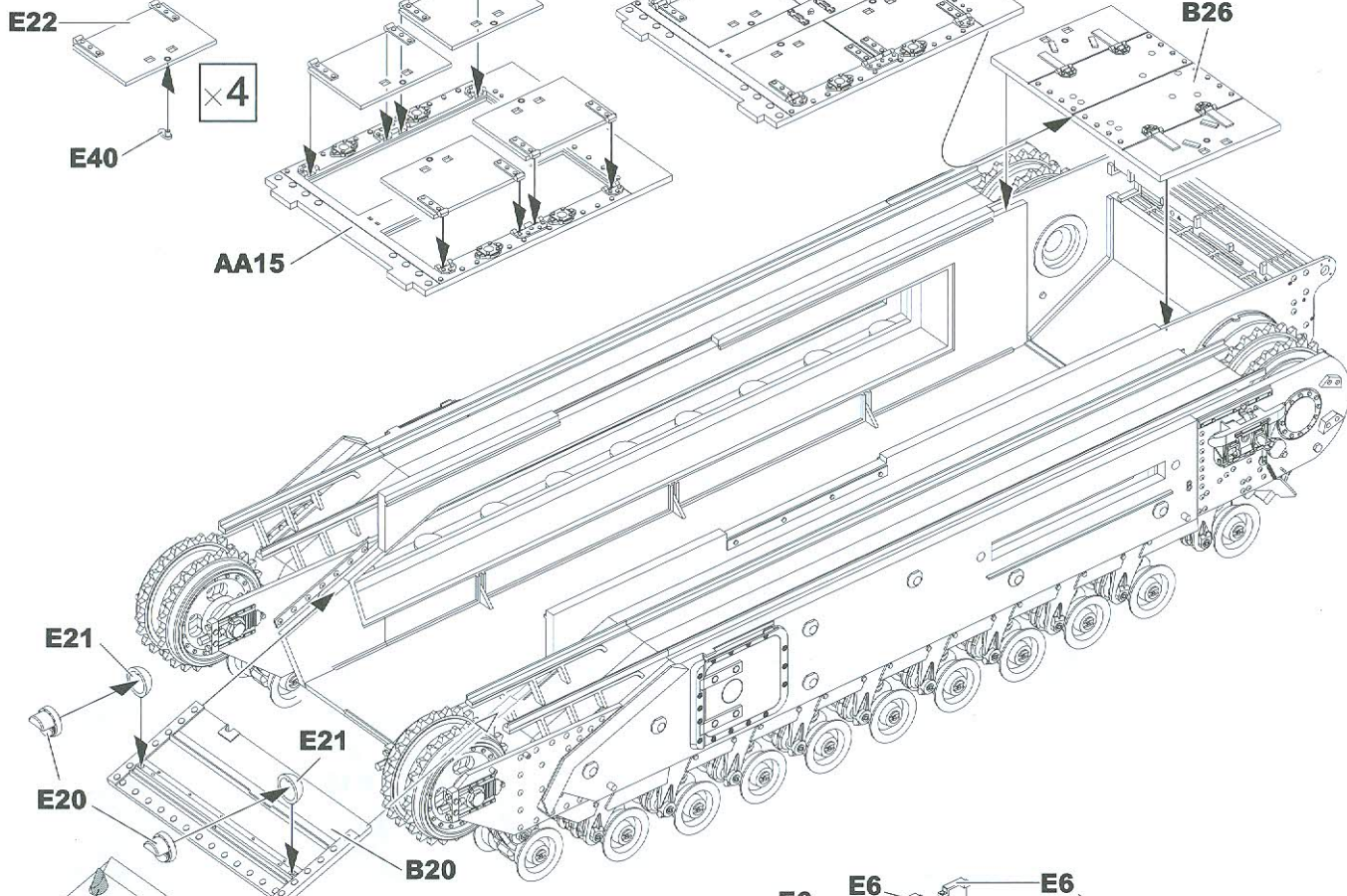
11



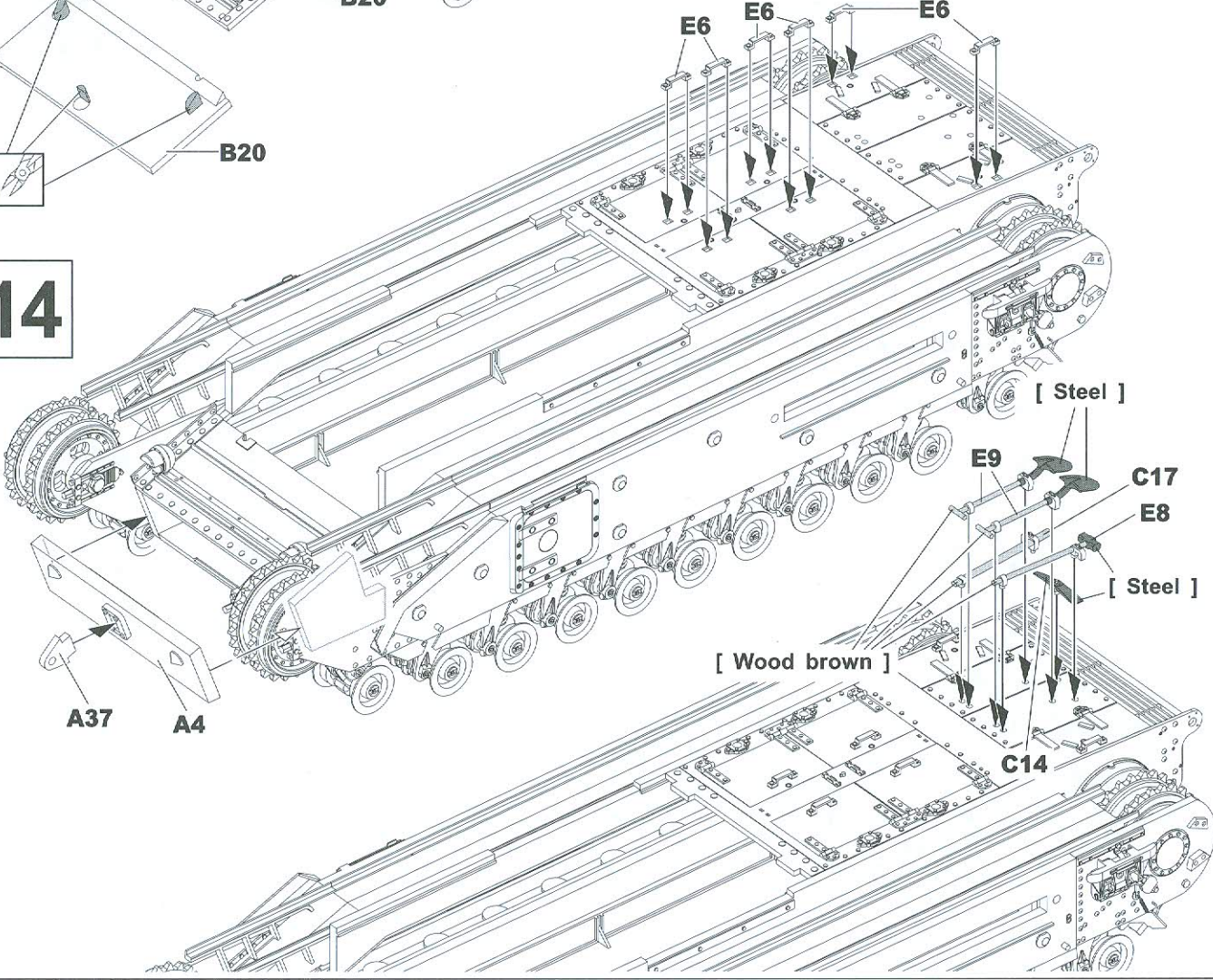
12



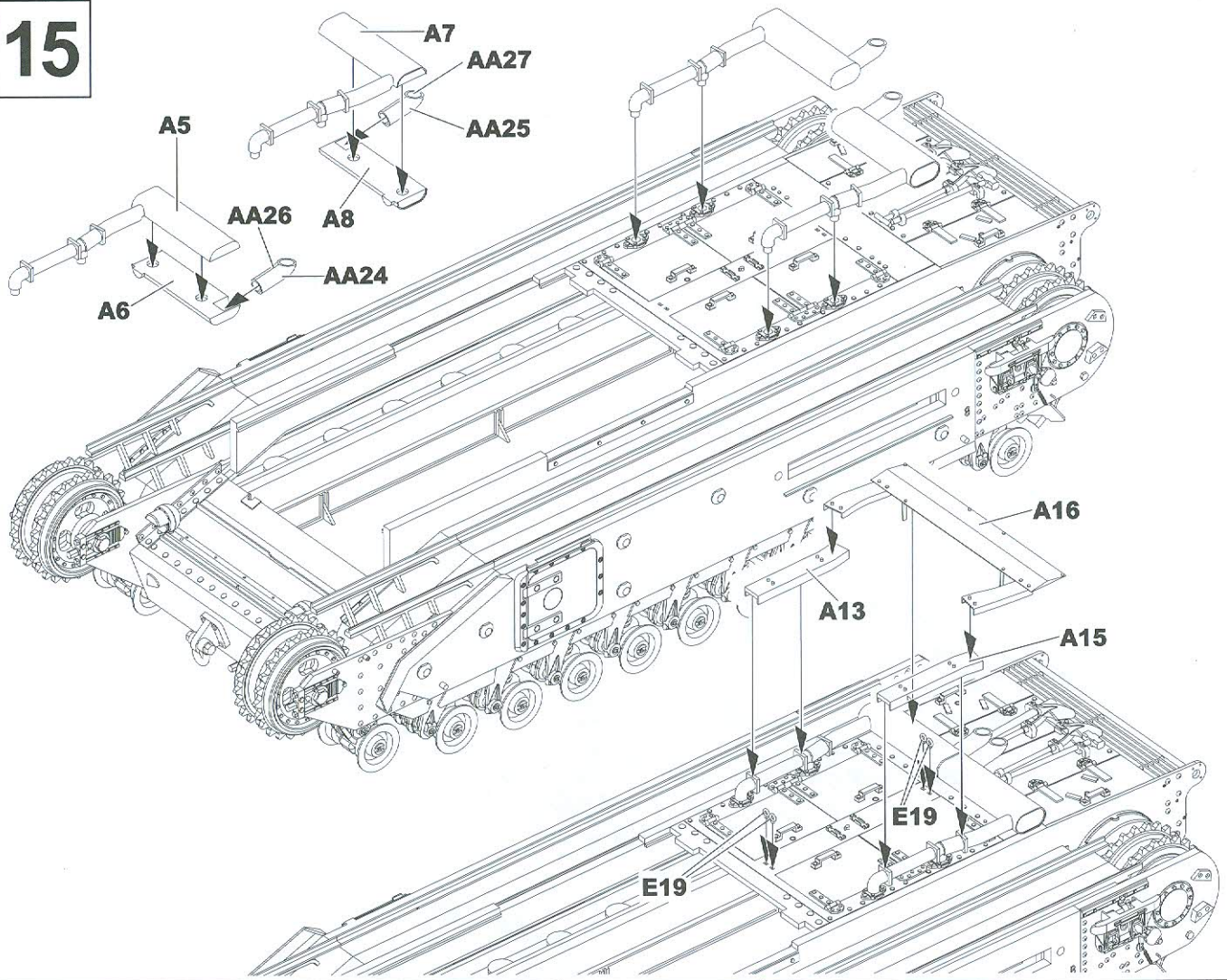
13



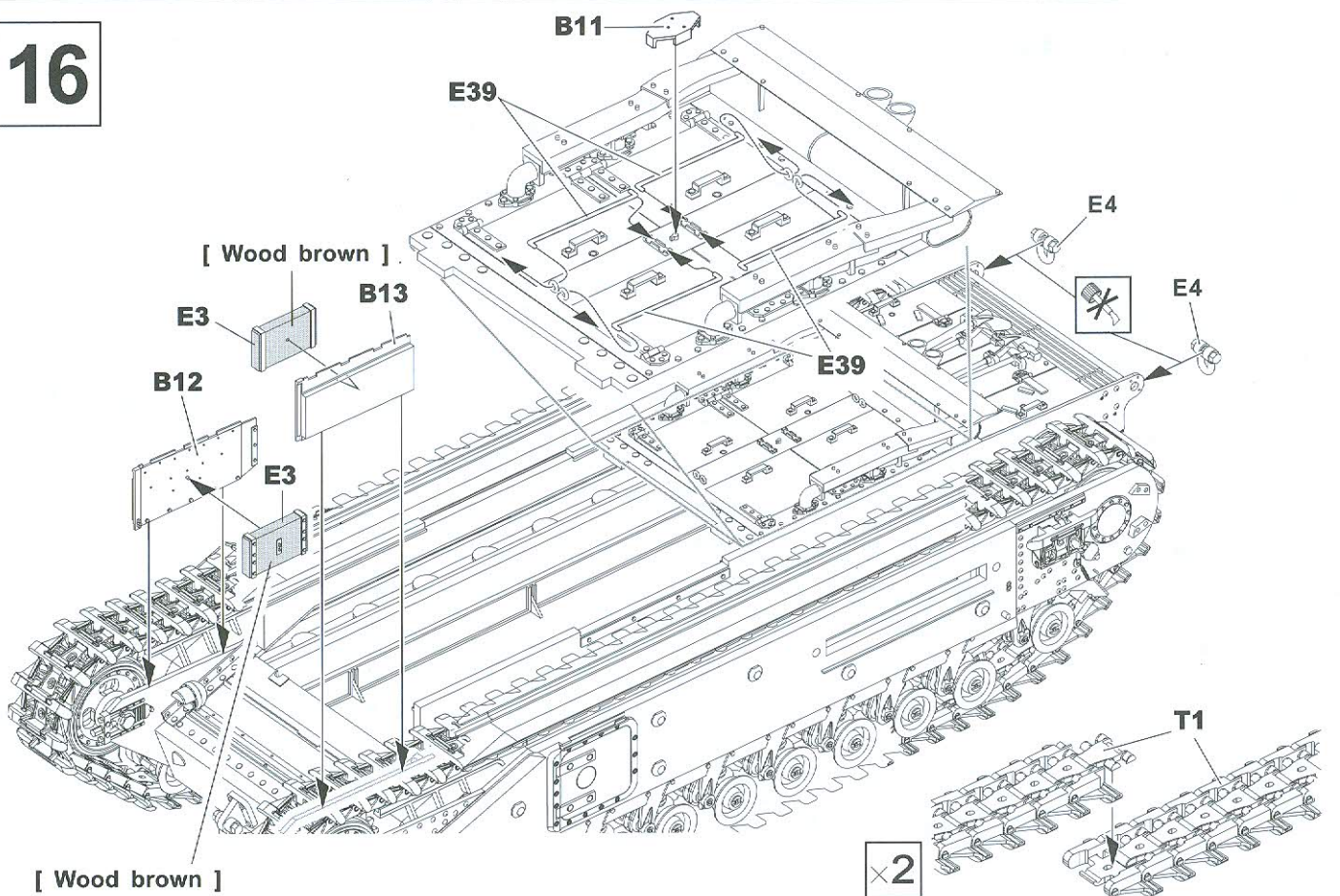
14



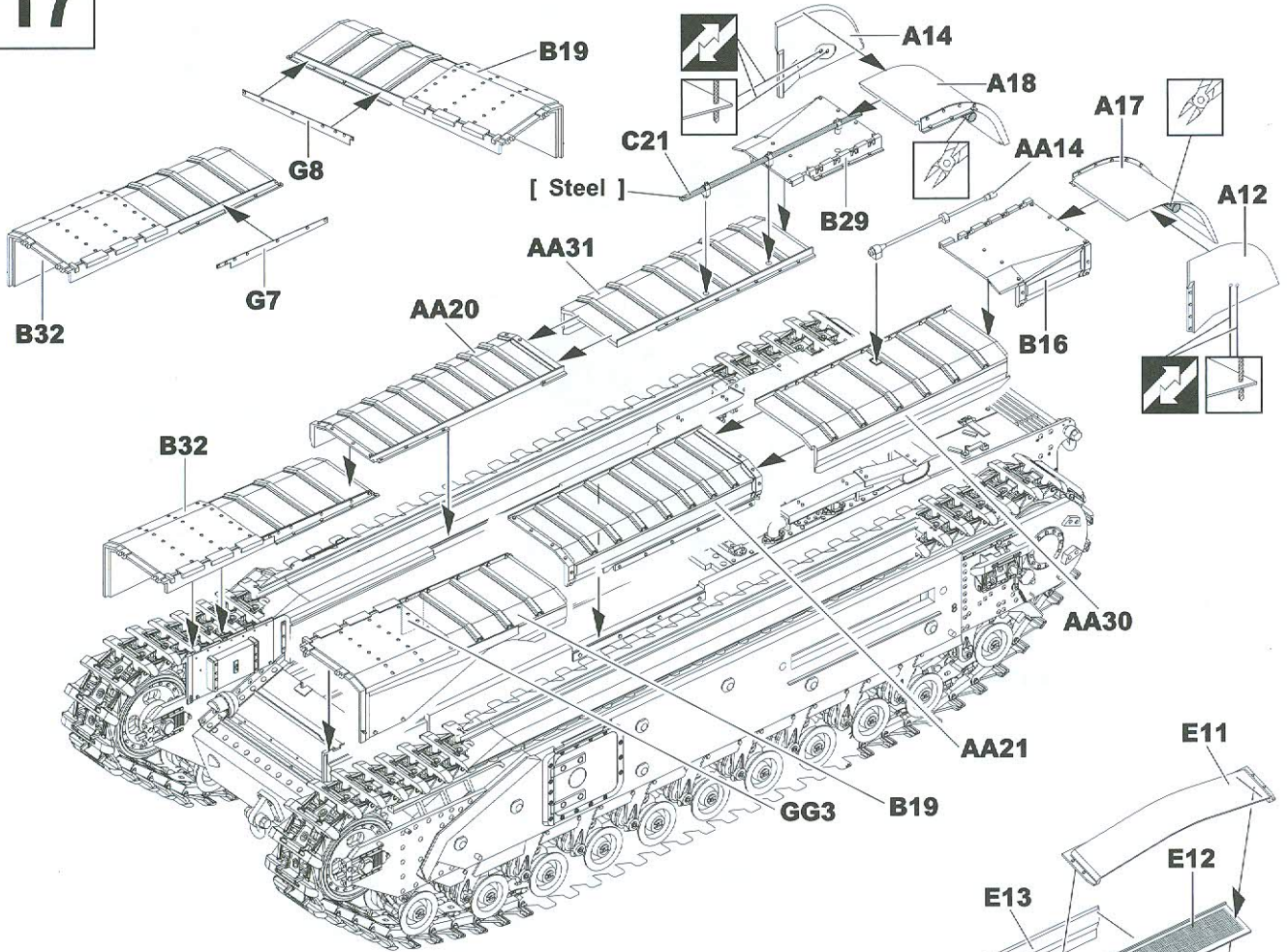
15



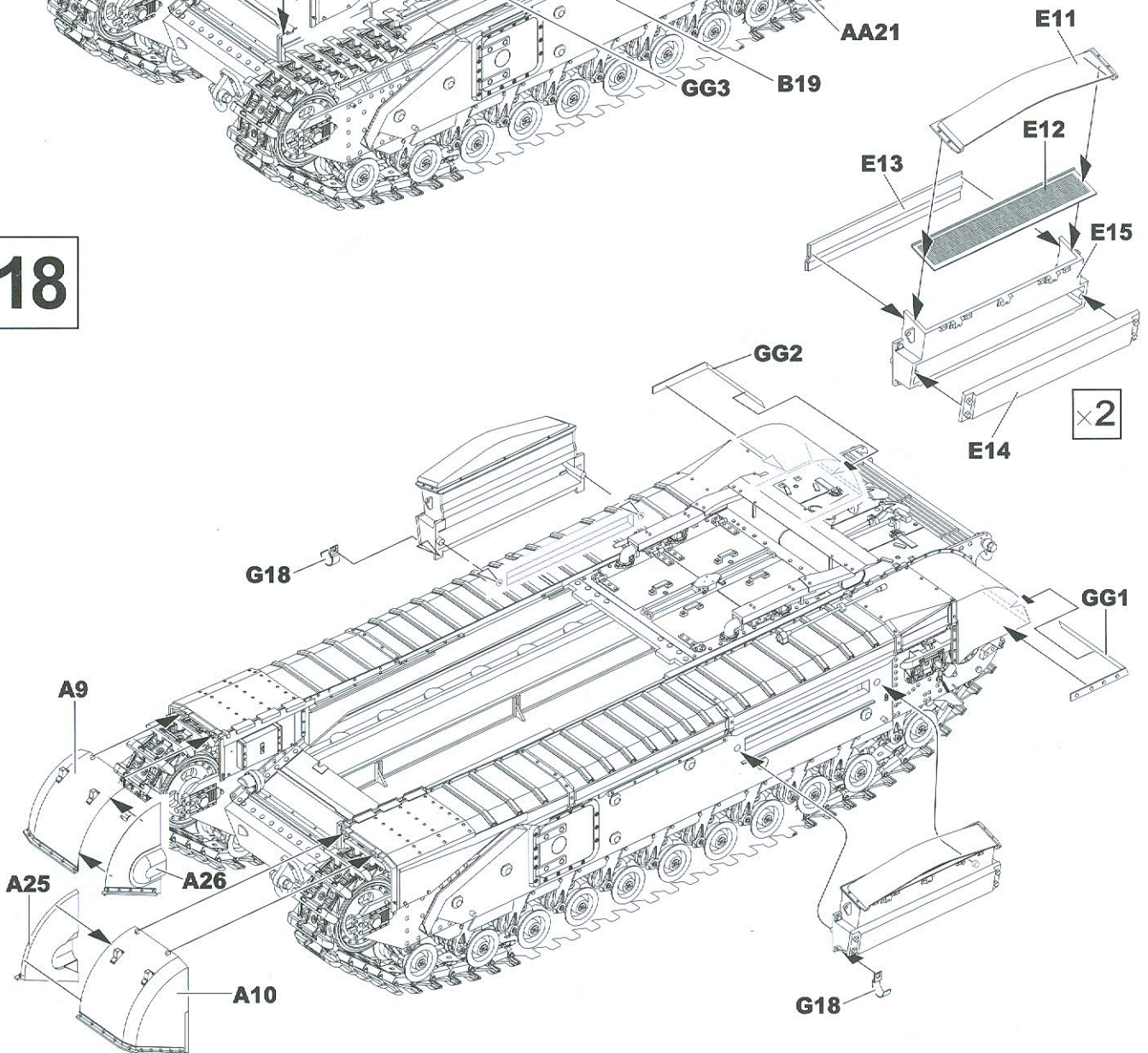
16



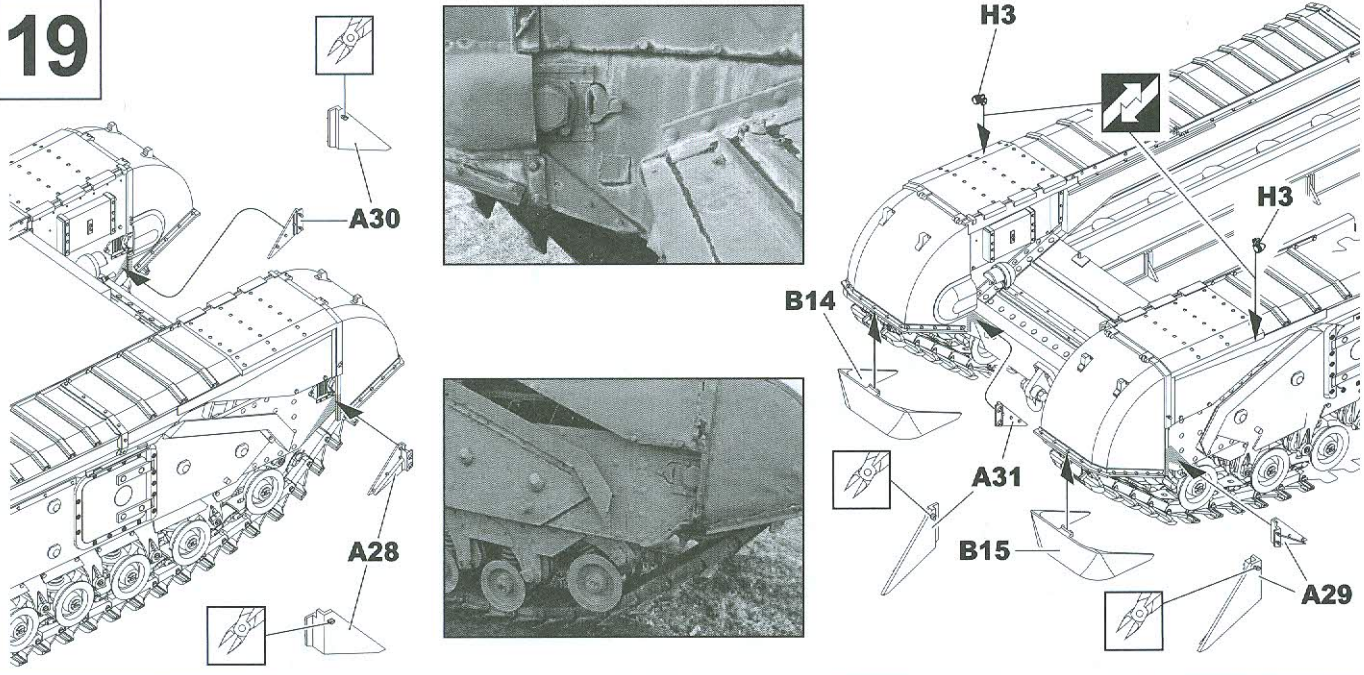
17



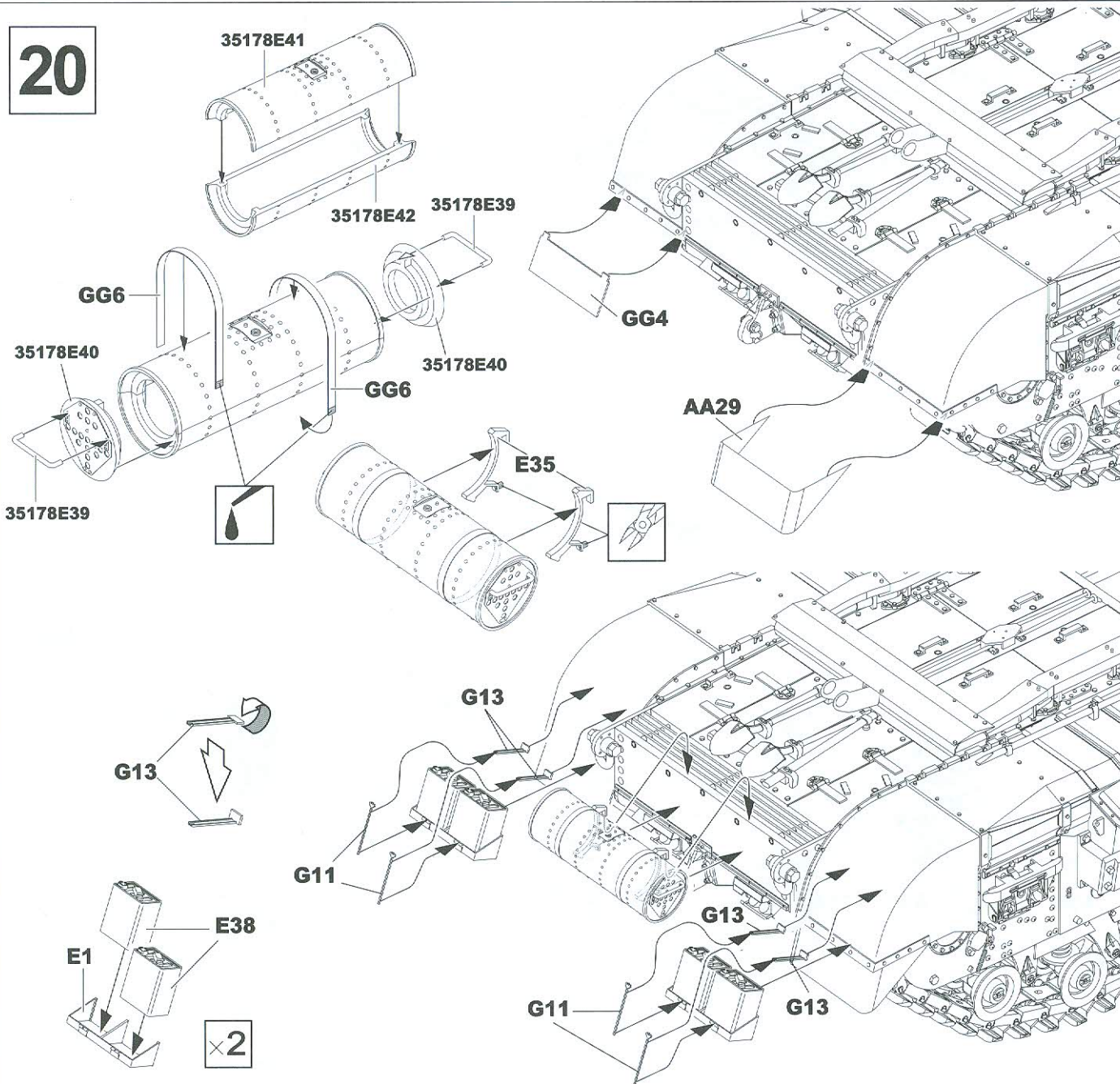
18



19

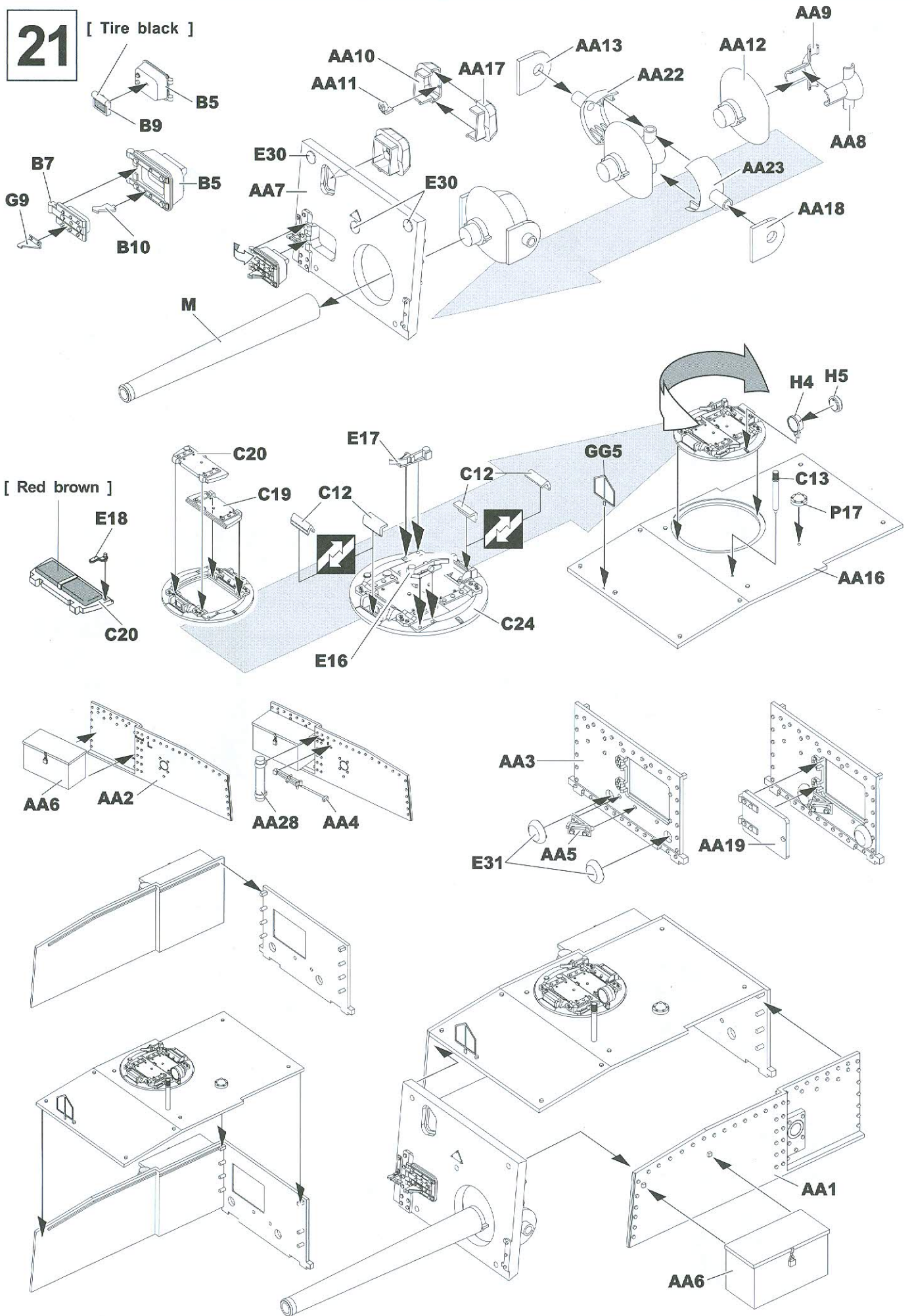


20



21

[Tire black]



22

0mm

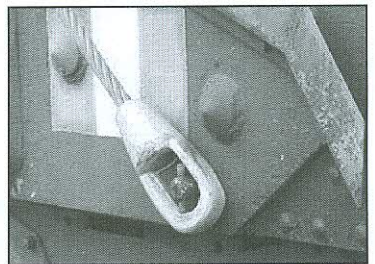
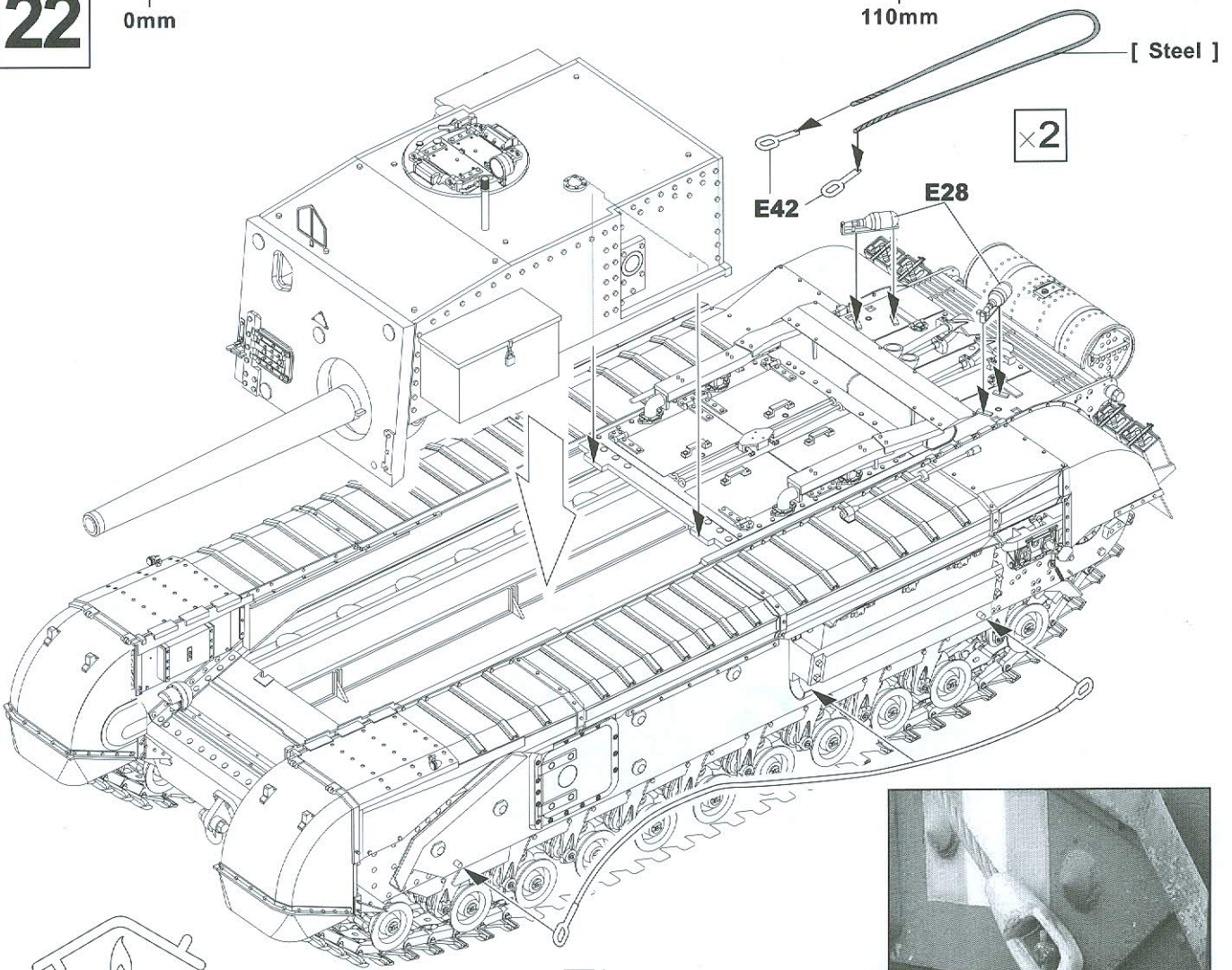
110mm

[Steel]

×2

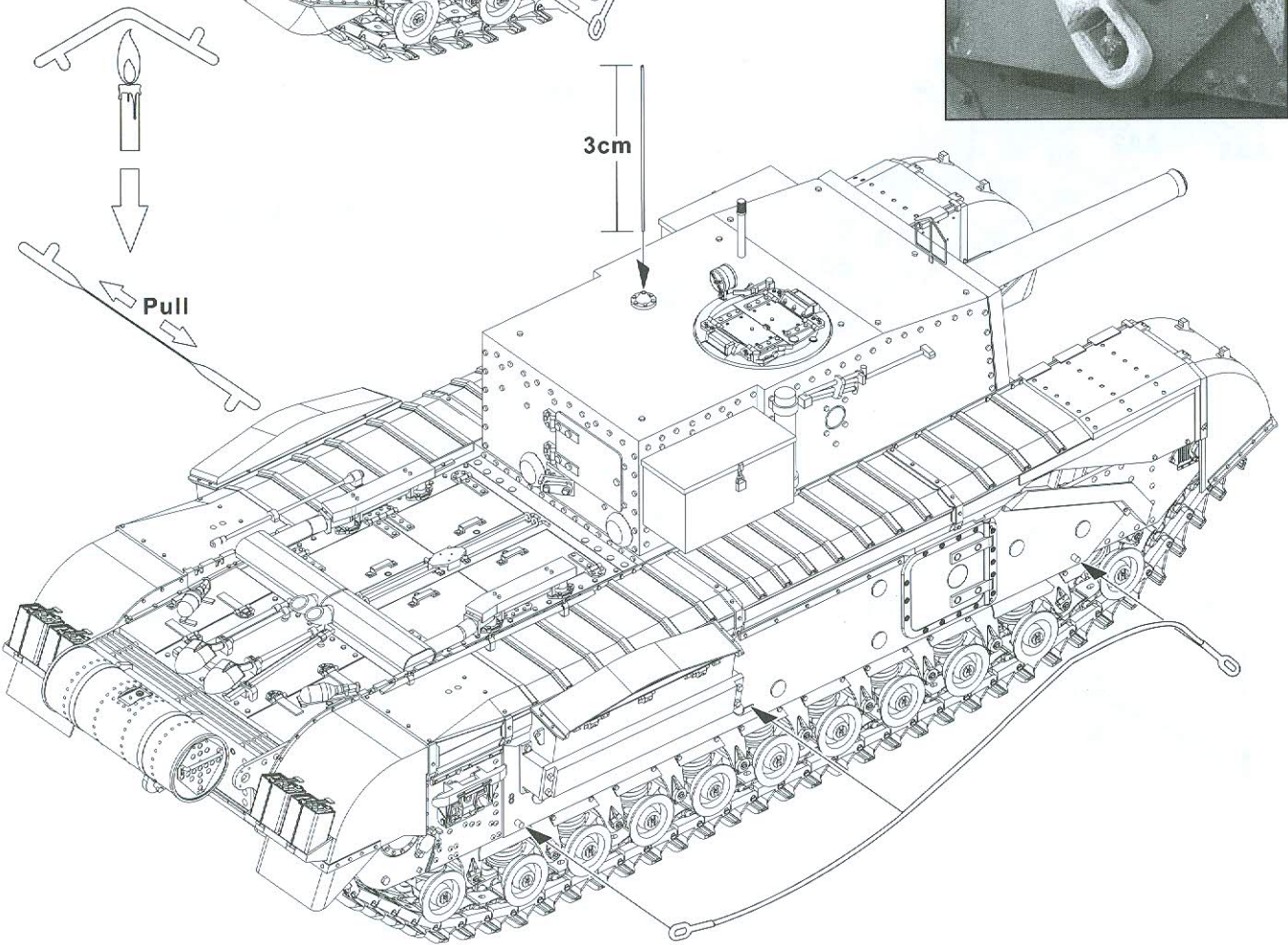
E42

E28

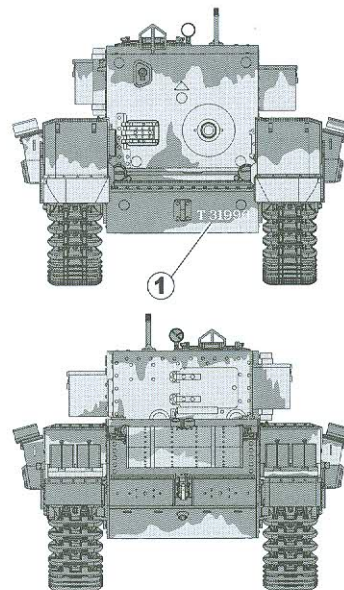
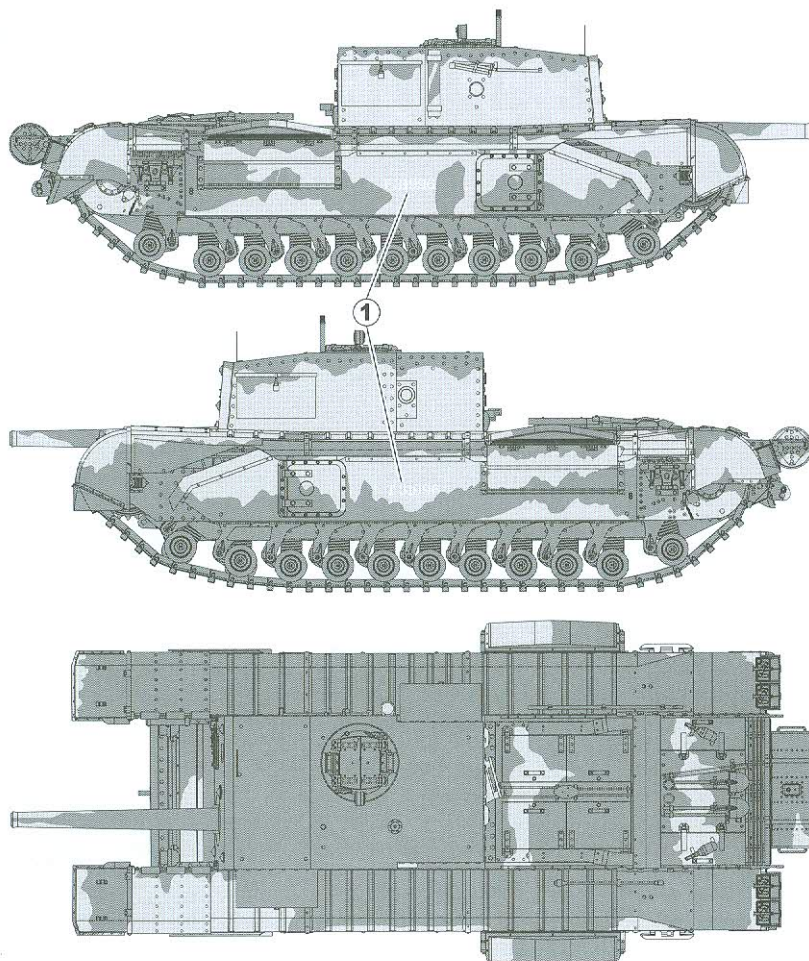


3cm

Pull

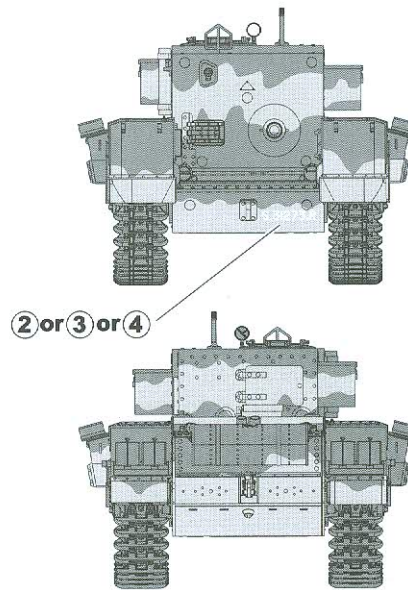
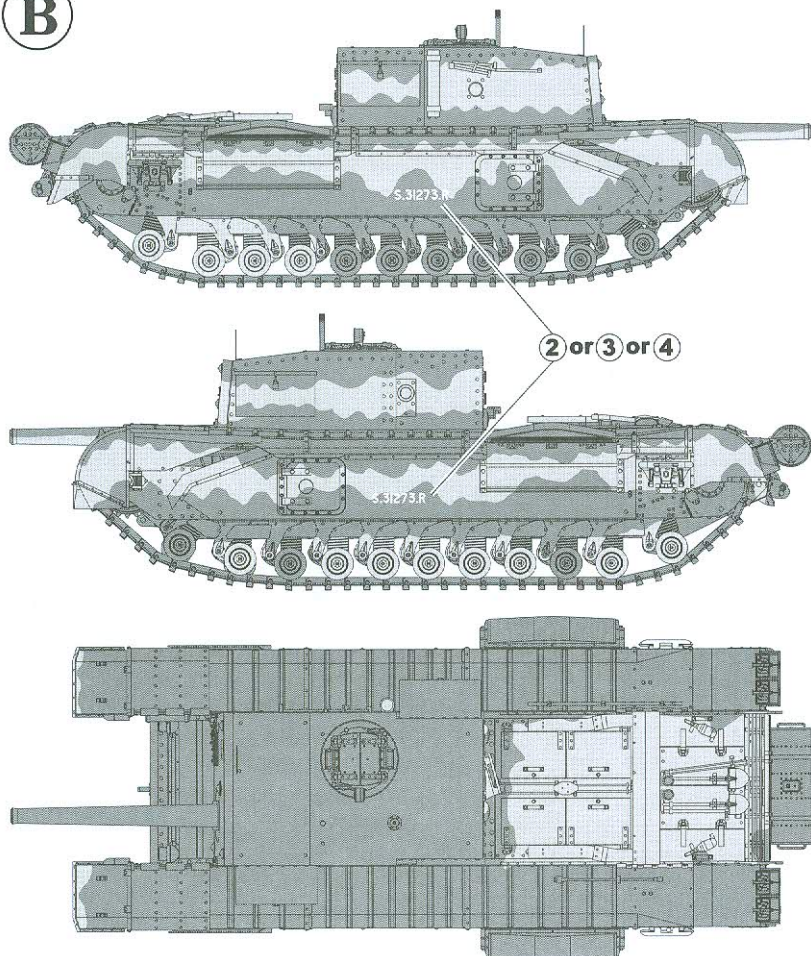


A



-  **Body Color:**
-  Dark earth
 -  Khaki drab FS34088

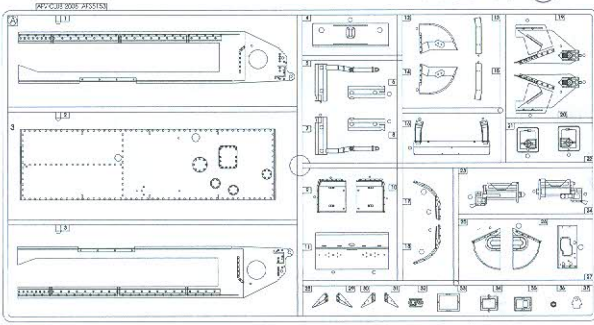
B



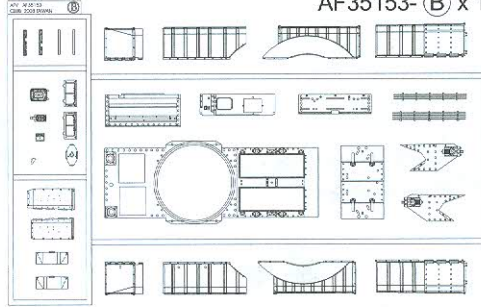
-  **Body Color:**
-  Dark earth
 -  Khaki drab FS34088

PARTS LIST 零件表

AF35153- (A) x 1



AF35153- (B) x 1



AF35153- (G) x 1



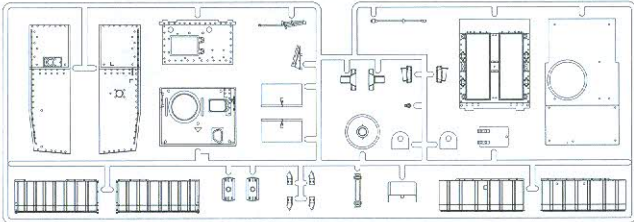
AF35253- (GG) x 1



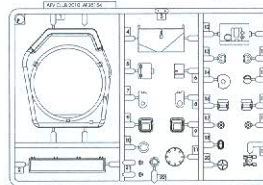
AF35253- (M) x 1



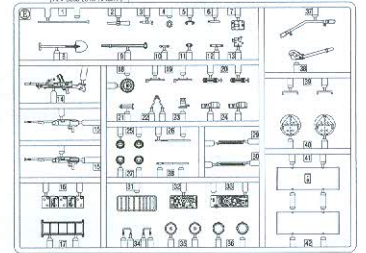
AF35253- (AA) x 1



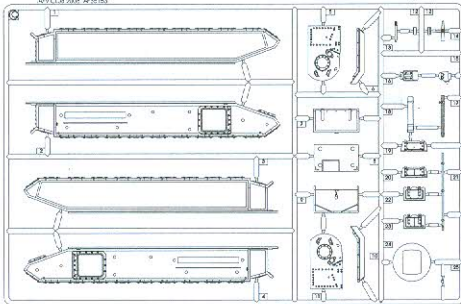
AF35154- (P) x 1



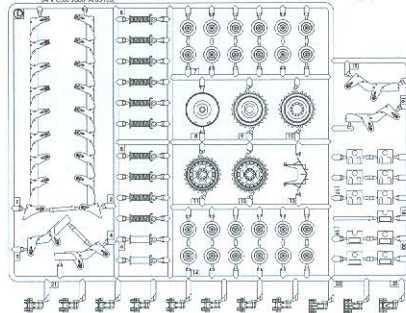
AF35178- (E) x 1



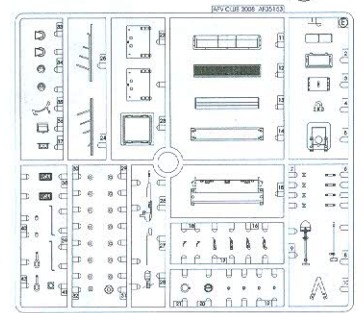
AF35153- (C) x 1



AF35153- (D) x 2



AF35153- (E) x 2



AF35153- (H) x 1

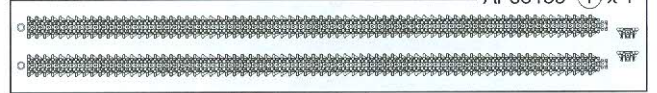


AF35253- (J) x 1

AF35153- (K) x 22



AF35153- (T) x 1



Instructions:

If for some reason, you are not fully satisfied or have questions concerning our product; Please use the form provide, and send it to our nearest representative or mail it directly to our office.

We will deal with that A.S.A.P.



AF35253 Parts Replacement Form

- | | | |
|---|---|---|
| <input type="checkbox"/> AF35153- A PARTS | <input type="checkbox"/> AF35153- G PARTS | <input type="checkbox"/> AF35178- E PARTS |
| <input type="checkbox"/> AF35153- B PARTS | <input type="checkbox"/> AF35153- H PARTS | <input type="checkbox"/> AF35253-AA PARTS |
| <input type="checkbox"/> AF35153- C PARTS | <input type="checkbox"/> AF35153- K PARTS | <input type="checkbox"/> AF35253-GG PARTS |
| <input type="checkbox"/> AF35153- D PARTS | <input type="checkbox"/> AF35153- T PARTS | <input type="checkbox"/> AF35253- J PARTS |
| <input type="checkbox"/> AF35153- E PARTS | <input type="checkbox"/> AF35154- P PARTS | <input type="checkbox"/> AF35253-M PARTS |

Reason for replacement: Missing
 Broken

Signature: _____

限臺灣地區使用 For Taiwanese use only!



AF35253 零件補充申請表

- | | |
|--|----------|
| <input type="checkbox"/> AF35153- A 部品零件 | NT\$ 280 |
| <input type="checkbox"/> AF35153- B 部品零件 | NT\$ 280 |
| <input type="checkbox"/> AF35153- C 部品零件 | NT\$ 240 |
| <input type="checkbox"/> AF35153- D 部品零件 | NT\$ 320 |
| <input type="checkbox"/> AF35153- E 部品零件 | NT\$ 210 |
| <input type="checkbox"/> AF35153- G 部品零件 | NT\$ 180 |
| <input type="checkbox"/> AF35153- H 部品零件 | NT\$ 120 |
| <input type="checkbox"/> AF35153- K 部品零件 | NT\$ 100 |
| <input type="checkbox"/> AF35153- T 部品零件 | NT\$ 280 |
| <input type="checkbox"/> AF35154- P 部品零件 | NT\$ 200 |
| <input type="checkbox"/> AF35178- E 部品零件 | NT\$ 200 |
| <input type="checkbox"/> AF35253-AA 部品零件 | NT\$ 280 |
| <input type="checkbox"/> AF35253-GG 部品零件 | NT\$ 150 |
| <input type="checkbox"/> AF35253- J 部品零件 | NT\$ 180 |
| <input type="checkbox"/> AF35253- M 部品零件 | NT\$ 200 |

+郵寄費 NT\$ 80

(請填)總計NT\$ _____

零件補充原因:(請於 打)

原包裝即 遺失或 毀損,

製作途中 遺失或 毀損,

其他原因 _____

申請人
姓名 地址 電話

總代理 戰鷹企業有限公司收本公司將儘速為您處理。
請將本表與該部品相同金額之郵政匯票一同寄至。