

Messerschmitt Bf 109G-6 (Early)

德国Bf109G-6 战斗机(早期型)

READ BEFORE ASSEMBLY:

- Study and understand these instructions thoroughly before beginning assembly
- When needed, remove photo-etch parts carefully using a modeling knife or photo etch sprue cutter, being careful not to damage or lose small parts.
- Take extra care in handling photo etch parts in order to avoid injury
- Apply instant cement sparingly to photo etch parts where instructed

- Tools recommended(not included in kit):Plastic and instant cements,sprue cutters,long nose pliers,modeling knife, small files, tweezers, pin vise & scissors. Soft cloth and sandpaper will also assist in construction
- Glue and paint are not included in the kit. Use plastic cement and hobby paints only. Color guide for purchasing paint is included in the kit.

装配之前仔细阅读

- 小心用模型锉刀锉平所有零件表面的注射浇口。
- 小心用刀片切下蚀刻片零件，不要遗失小零件。
- 用强力快干胶水粘合蚀刻片零件和金属轴。过量快干胶水使用可能导致可动零件会粘住，小心涂胶。
- 取蚀刻片时应特别注意安全，防止利刃划伤手指。
- 某些零件表面需贴水上贴纸，请选择在装配的同时进行。
- 推荐模型工具(自备)：胶水，水口剪刀，长阻钳，刀片，锉刀，镊子，钳，钻，剪刀，瞬间快干胶。
- 软布同砂纸同时也应该是必备工具。
- 请使用塑料胶水和油漆，模型内不含。

水贴纸的使用:

1. 从水贴纸上剪下印花;
2. 将印花放入温水中浸10秒, 然后放在干净布上;
3. 拿着印花纸板将印花移到模型上;
4. 手指蘸水将印花移到适当的位置;
5. 用软布轻压印花直至水干, 汽泡消失。

DECAL APPLICATION:

1. Cut decals from sheet as needed
2. Dip the decal in warm water for about 10 seconds and then place on soft clean cloth.
3. Hold the decal backing sheet edge and gently slide the decal onto the model in its proper position.

4. While still wet,decal can be adjusted for better fit on model by dampening it gently with your finger.
5. When placed in the proper position,gently press decal down with a soft cloth until excess water and air bubbles are gone.
6. Allow decal to dry completely before handling mode



cyanocrylate glue
使用强力胶



weight
配重



make hole
钻孔



cut / remove
切除



option
选择



no cement
不涂胶水



decal
贴纸

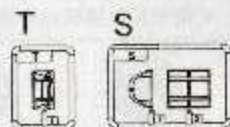
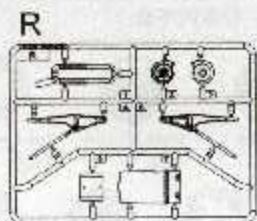
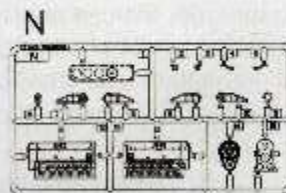
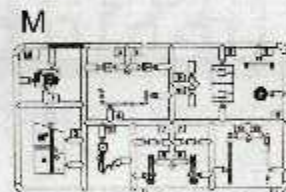
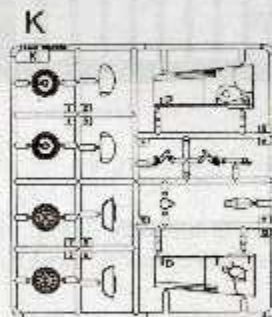
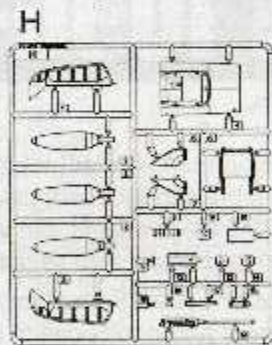
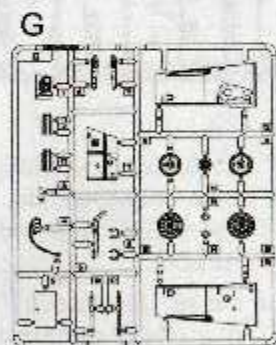
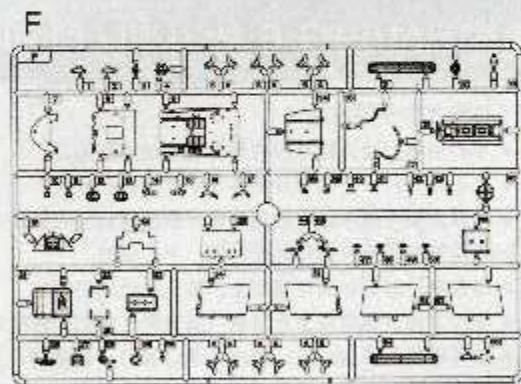
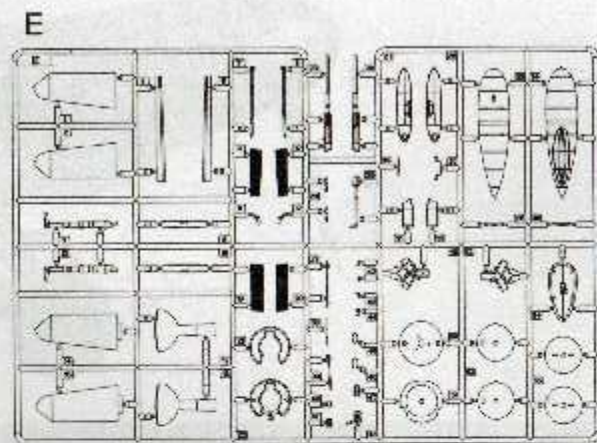
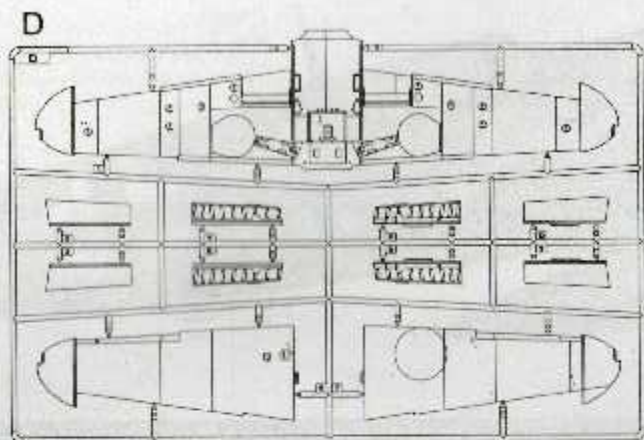
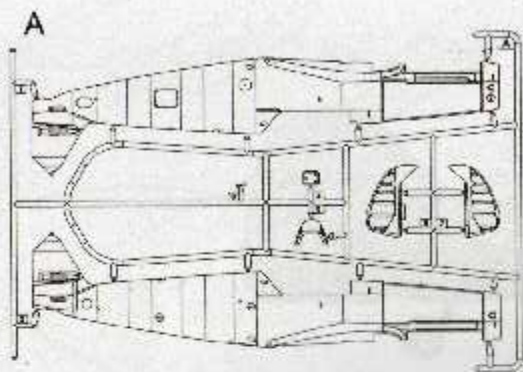


bend
弯曲



file / sand
锉平

部品图
Parts



《主轮胎》 X2
Main tyre



《尾轮胎》
Tail tyre



《蚀刻片》 A
Photo etched part(PE)A



《蚀刻片》 B
Photo etched part(PE)B



不用的零件:
Unused parts:
G1 G2 G4 G5 G6 G7
G8 G10 G11 G12 G14
G15 G16 H8 K4 K6 K11
M5 M6 M7 M9 M10 PE3
PE9 PE18 PE19 PE20
PE21 PE22 PE24 E45 E46
Y6 Y7

《水贴》
Decal

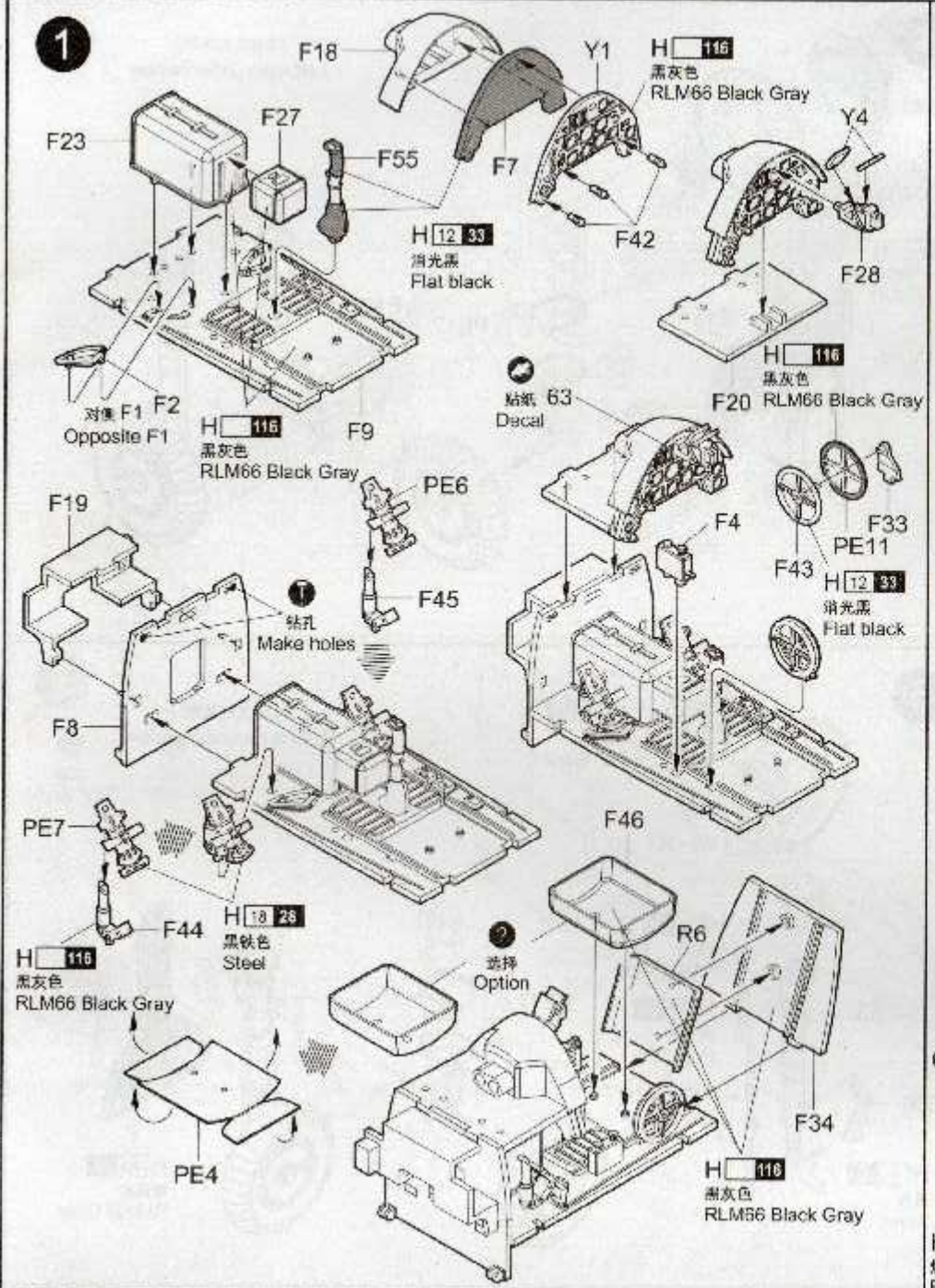


Ⓐ

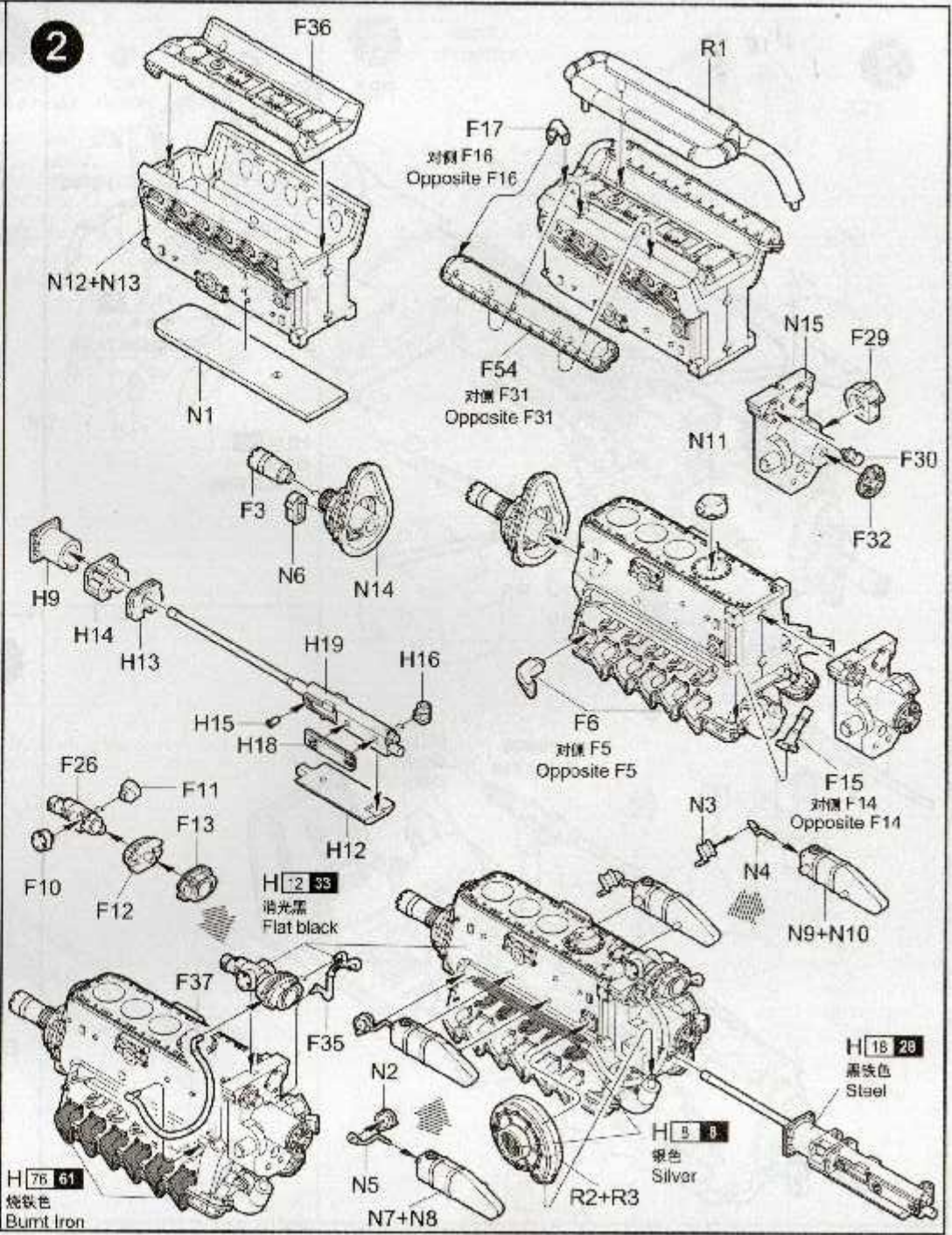


Ⓑ

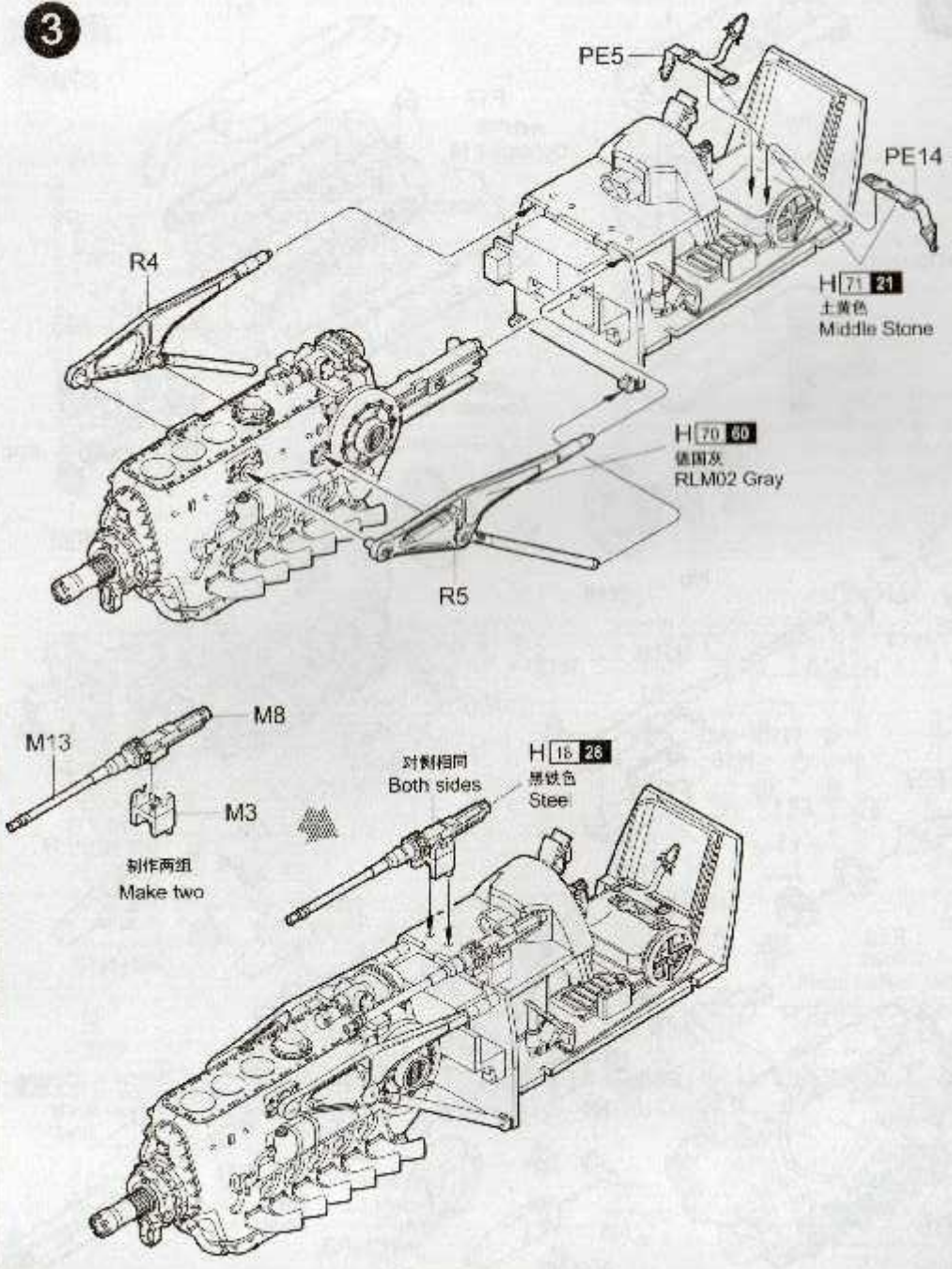
1



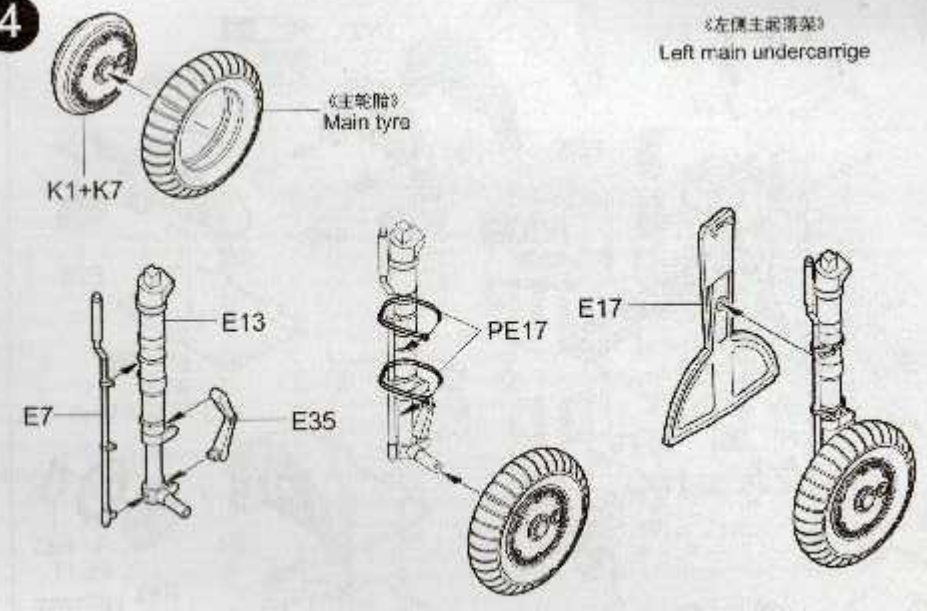
2



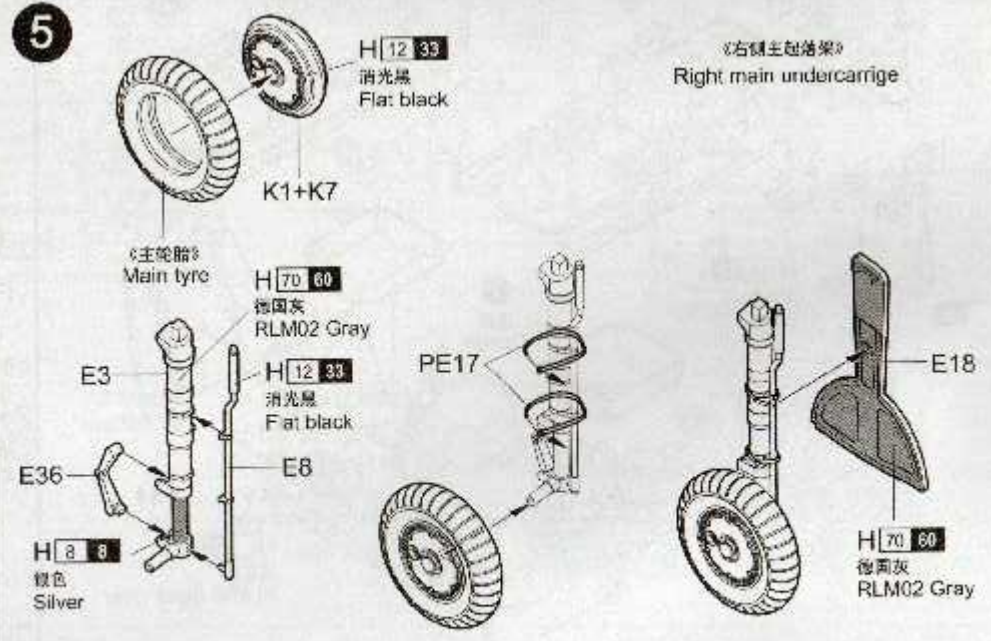
3



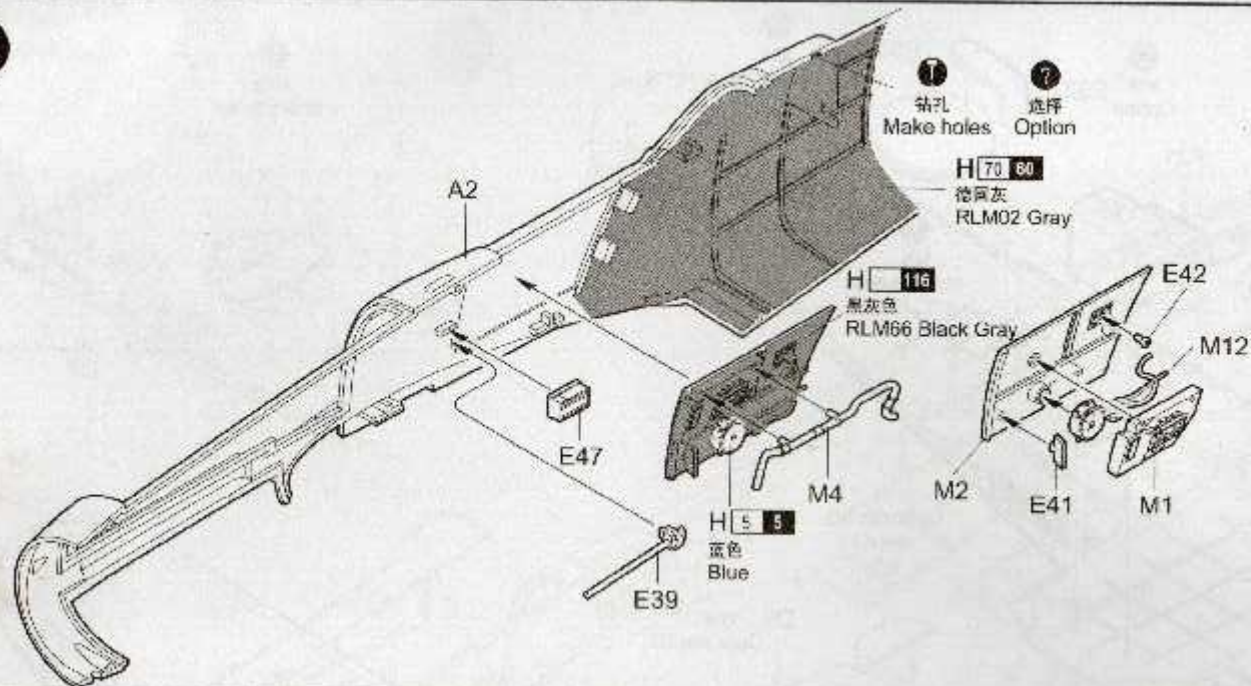
4



5



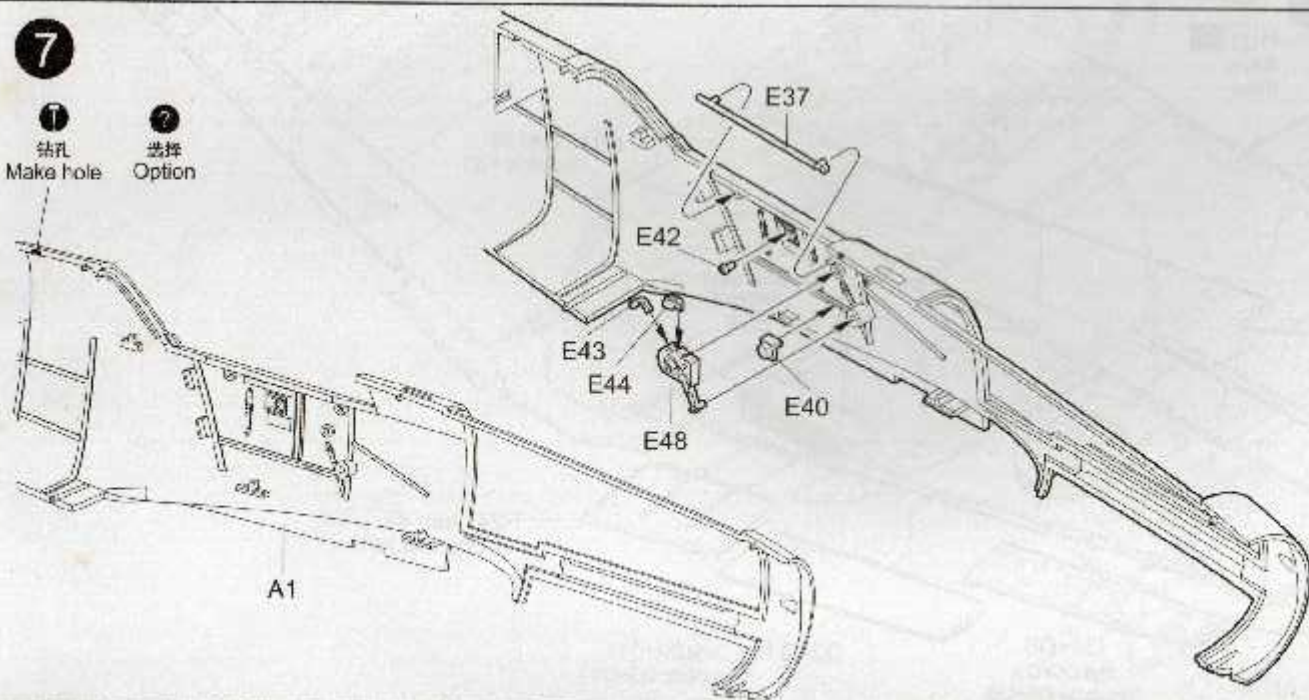
6



7

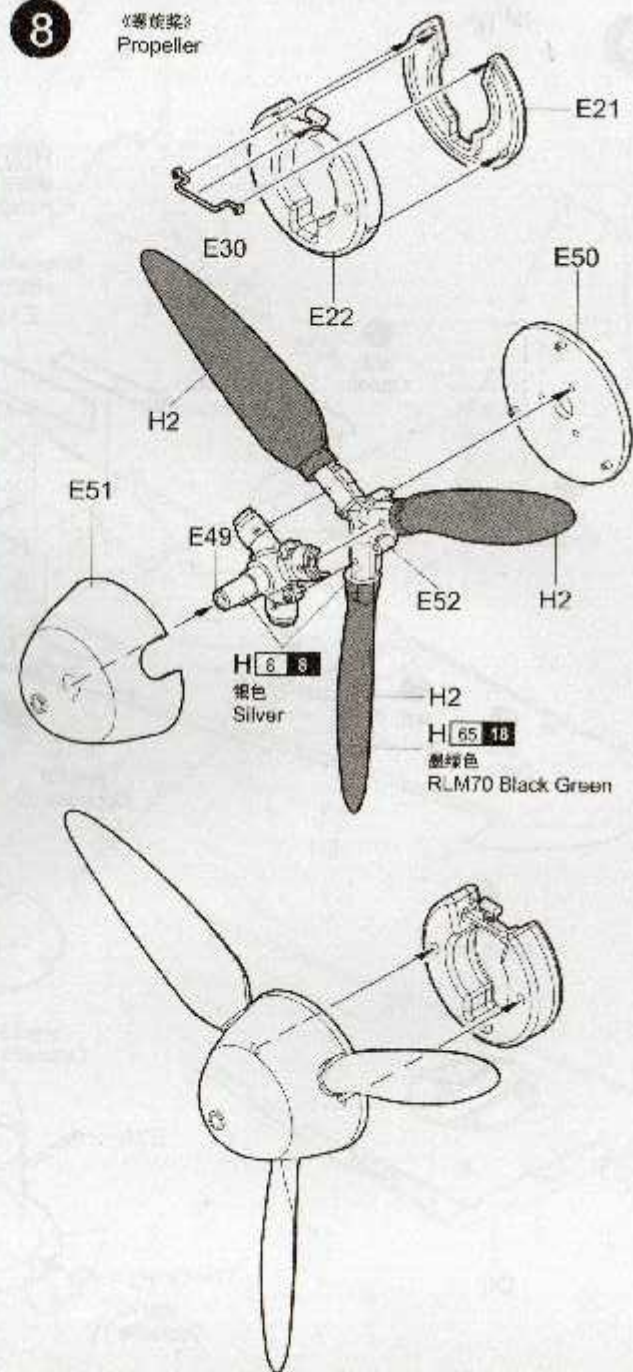
1 钻孔
Make hole

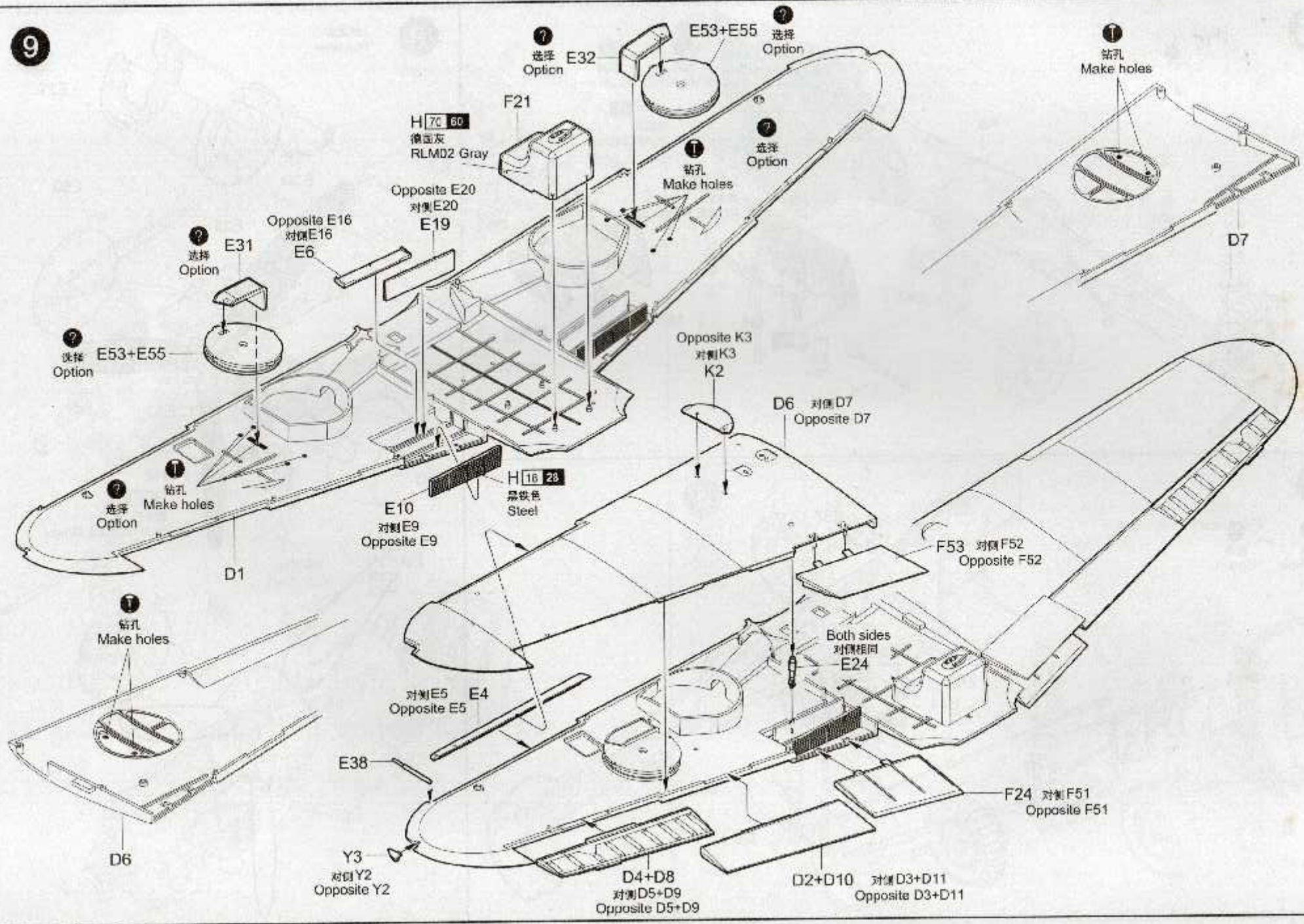
2 选择
Option



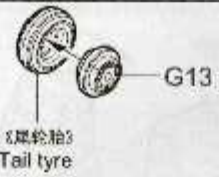
8

《螺旋桨》
Propeller

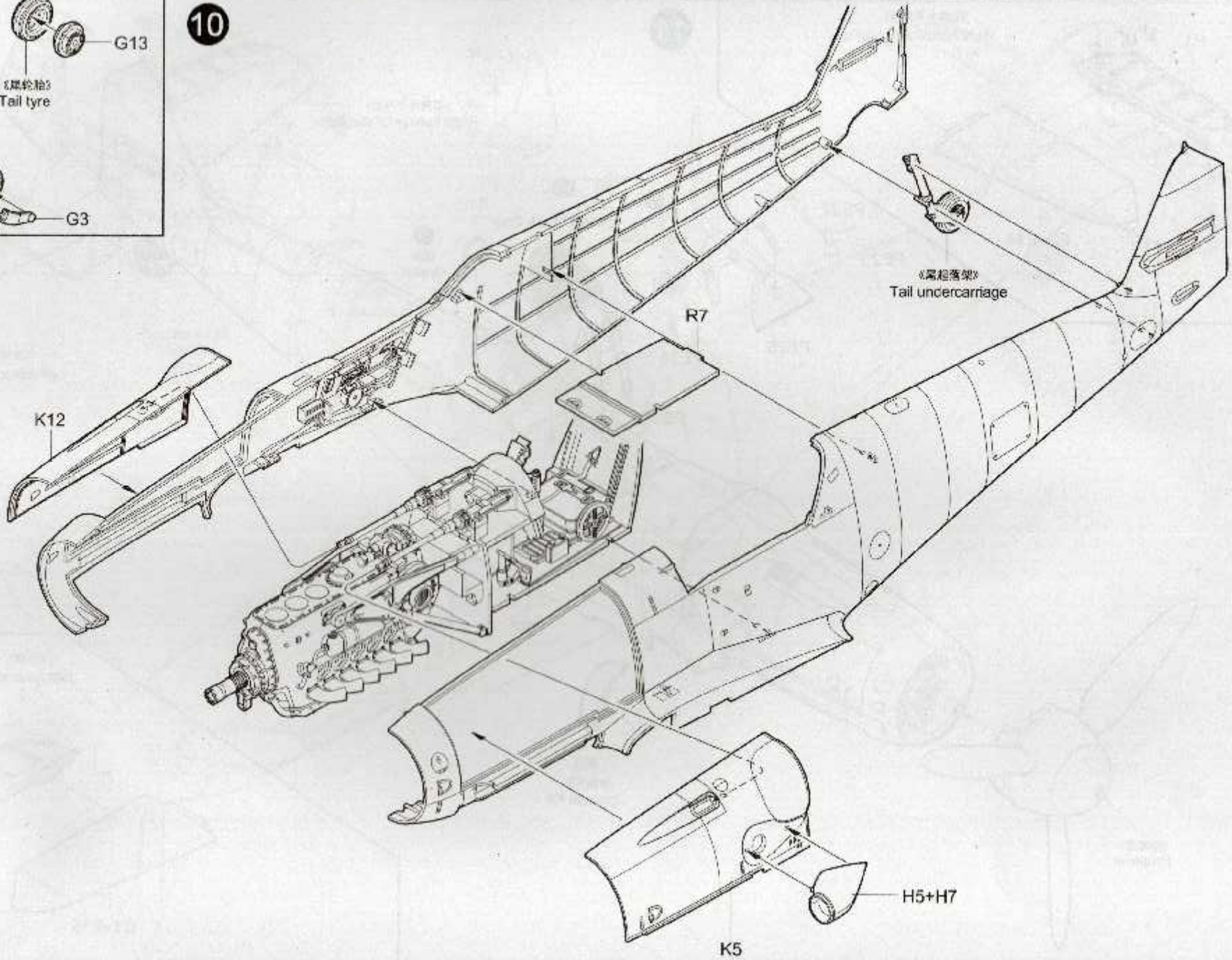
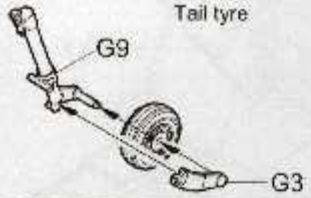




《尾起落架》
Tail undercarriage

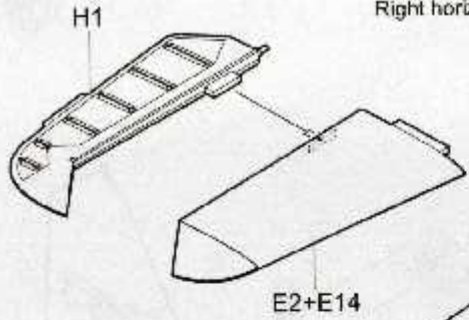


10

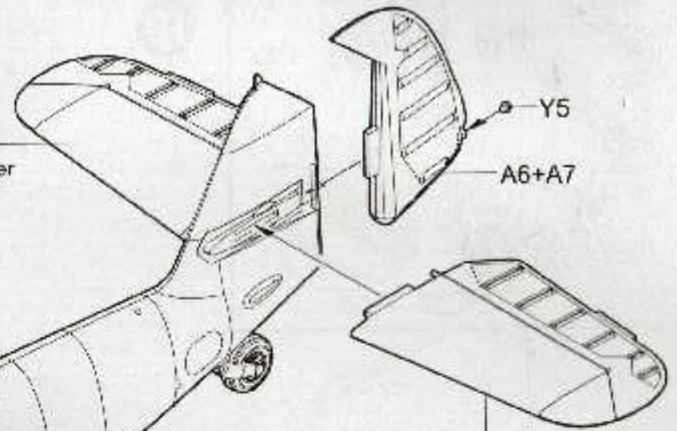


11

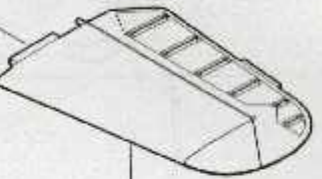
《右侧水平尾翼》
Right horizontal stabilizer



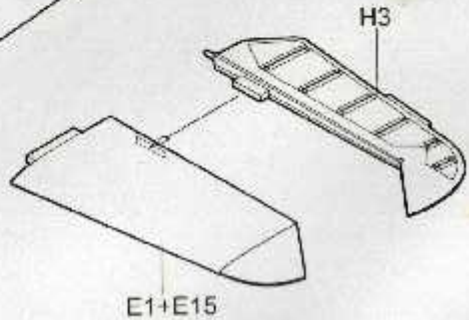
《右侧水平尾翼》
Right horizontal stabilizer



《左侧水平尾翼》
Left horizontal stabilizer



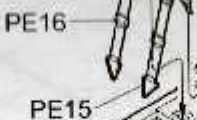
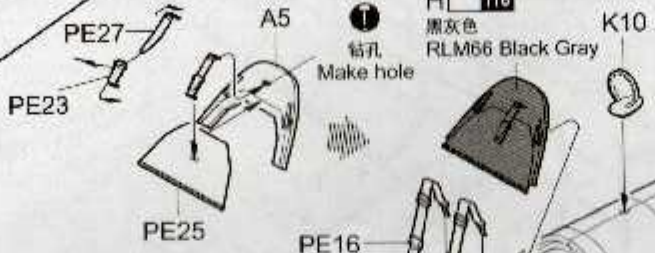
《左侧水平尾翼》
Left horizontal stabilizer



1 钻孔
Make hole

H 116
黑灰色
RLM66 Black Gray

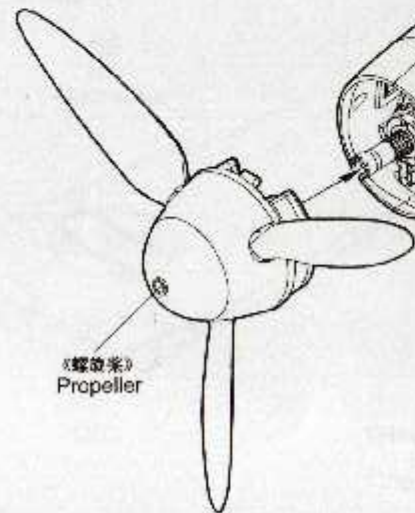
2 选择
Option



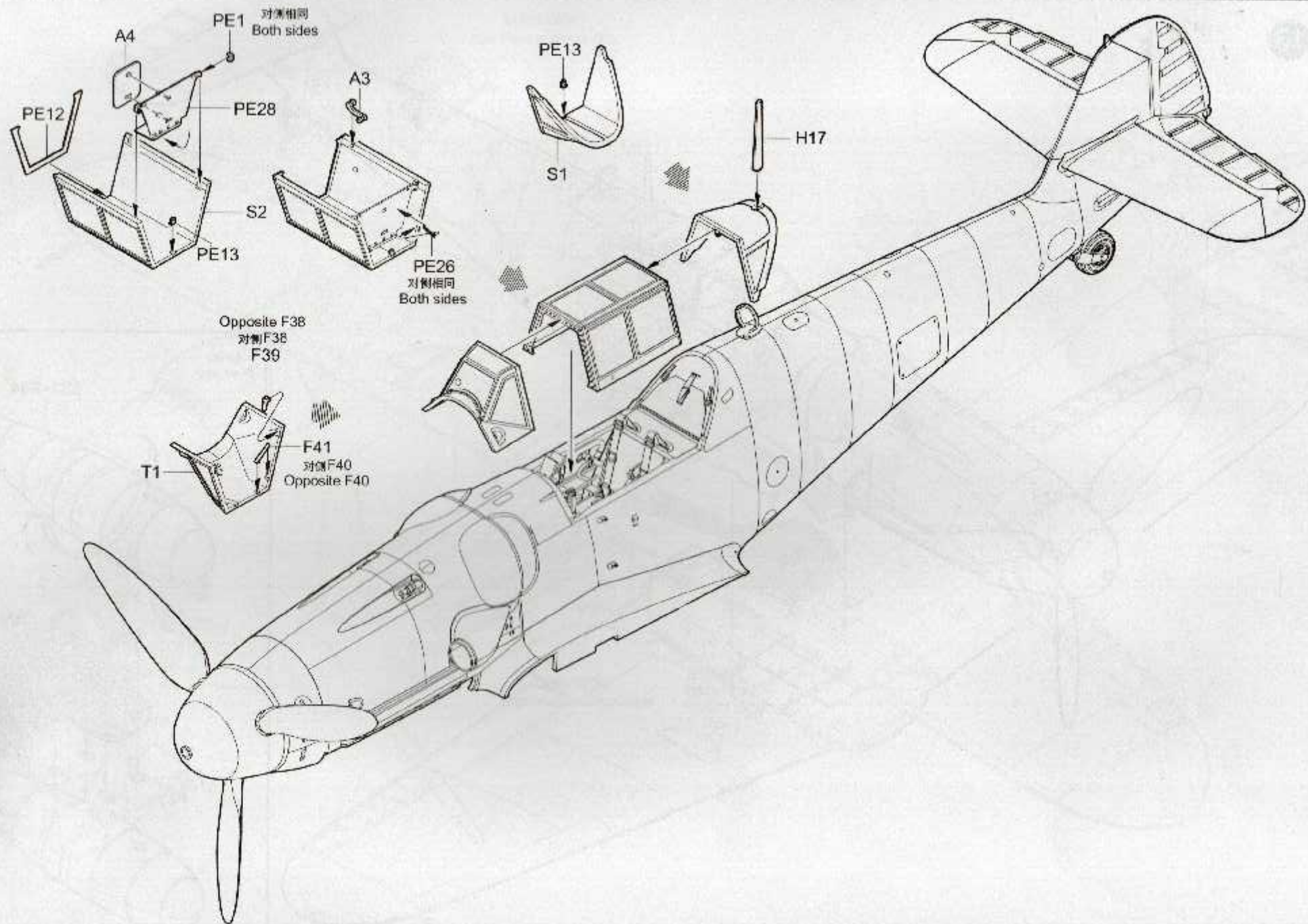
K8
对侧 K9
Opposite K9



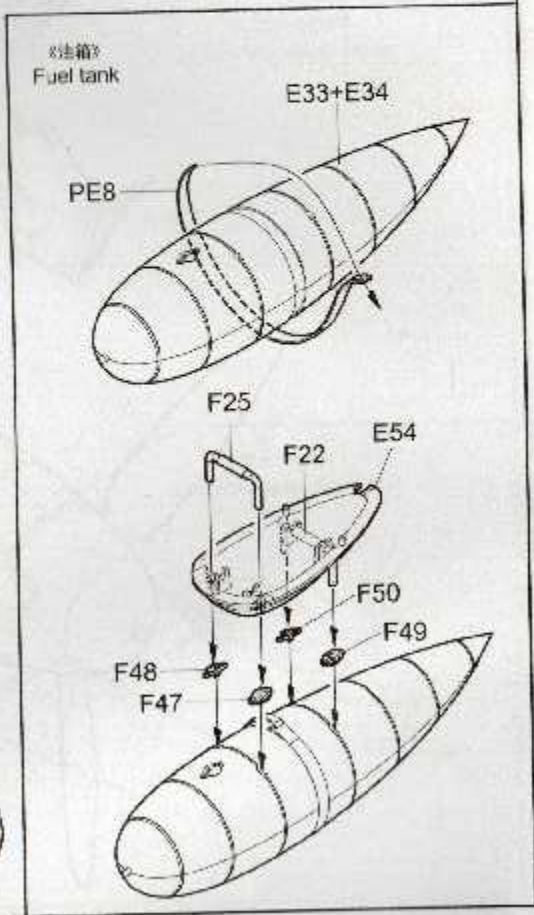
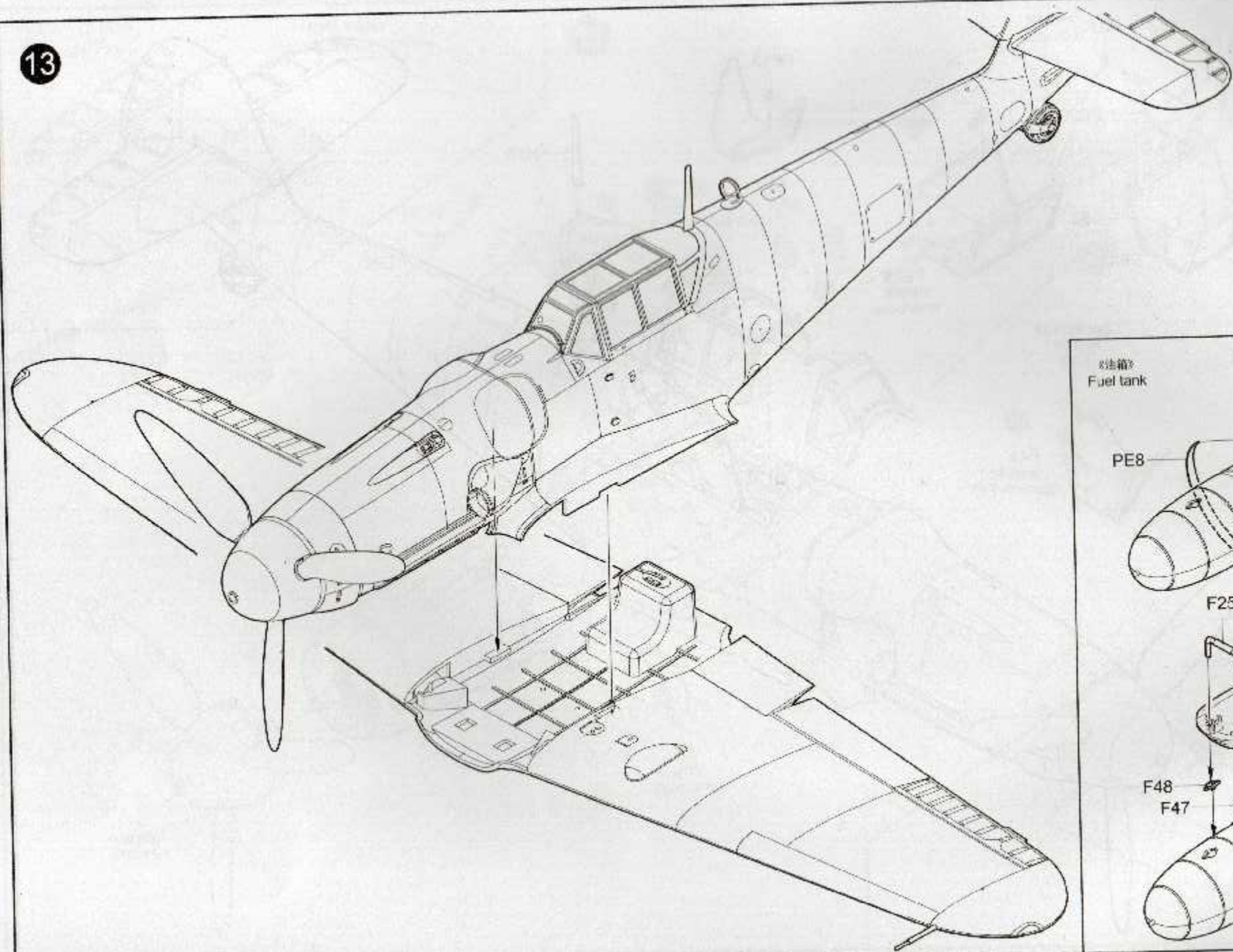
《螺旋桨》
Propeller

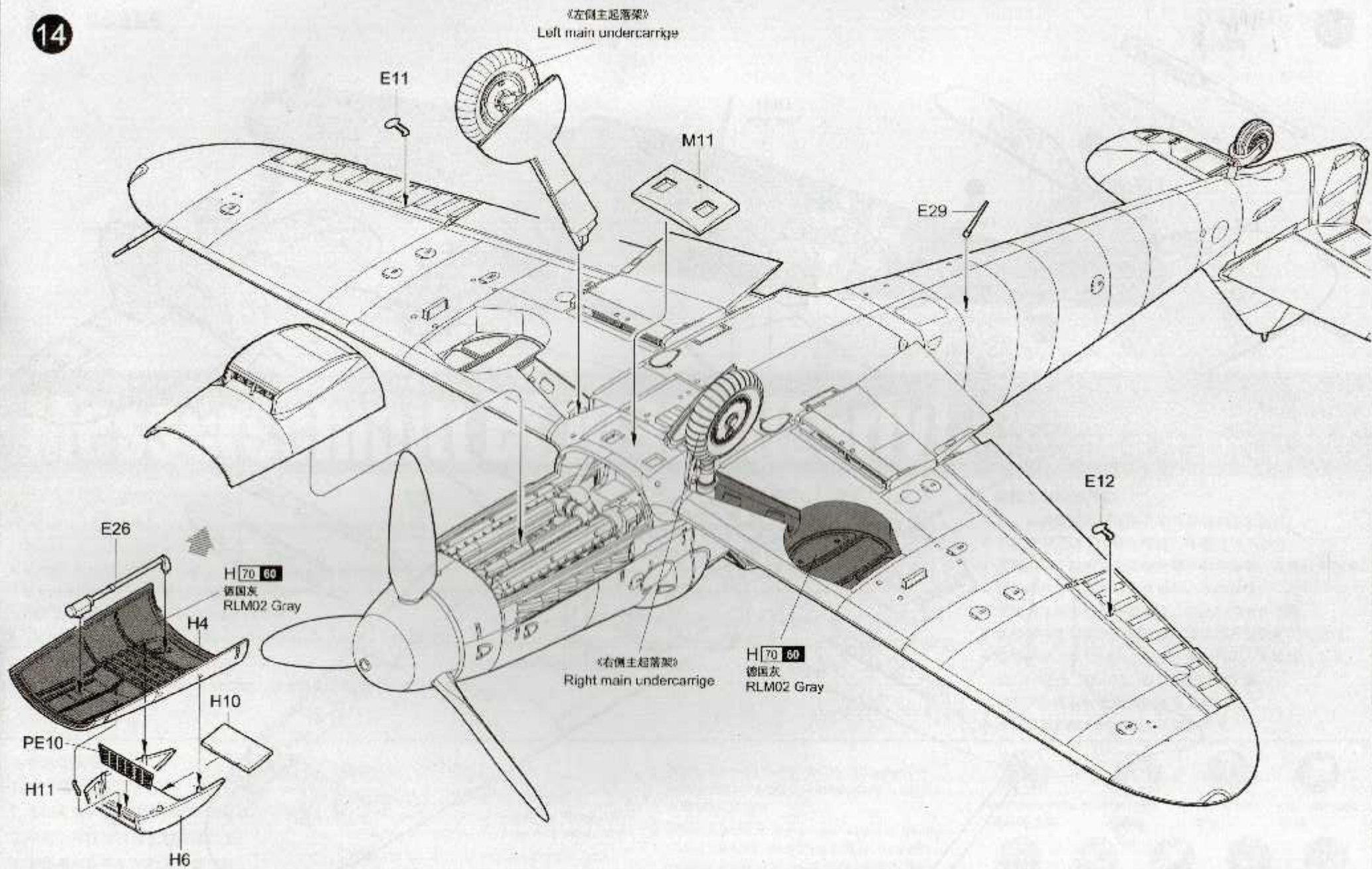


12



13





《左侧主起落架》
Left main undercarriage

E11

M11

E29

E12

E26

H 70 60
德国灰
RLM02 Gray

H4

H10

PE10

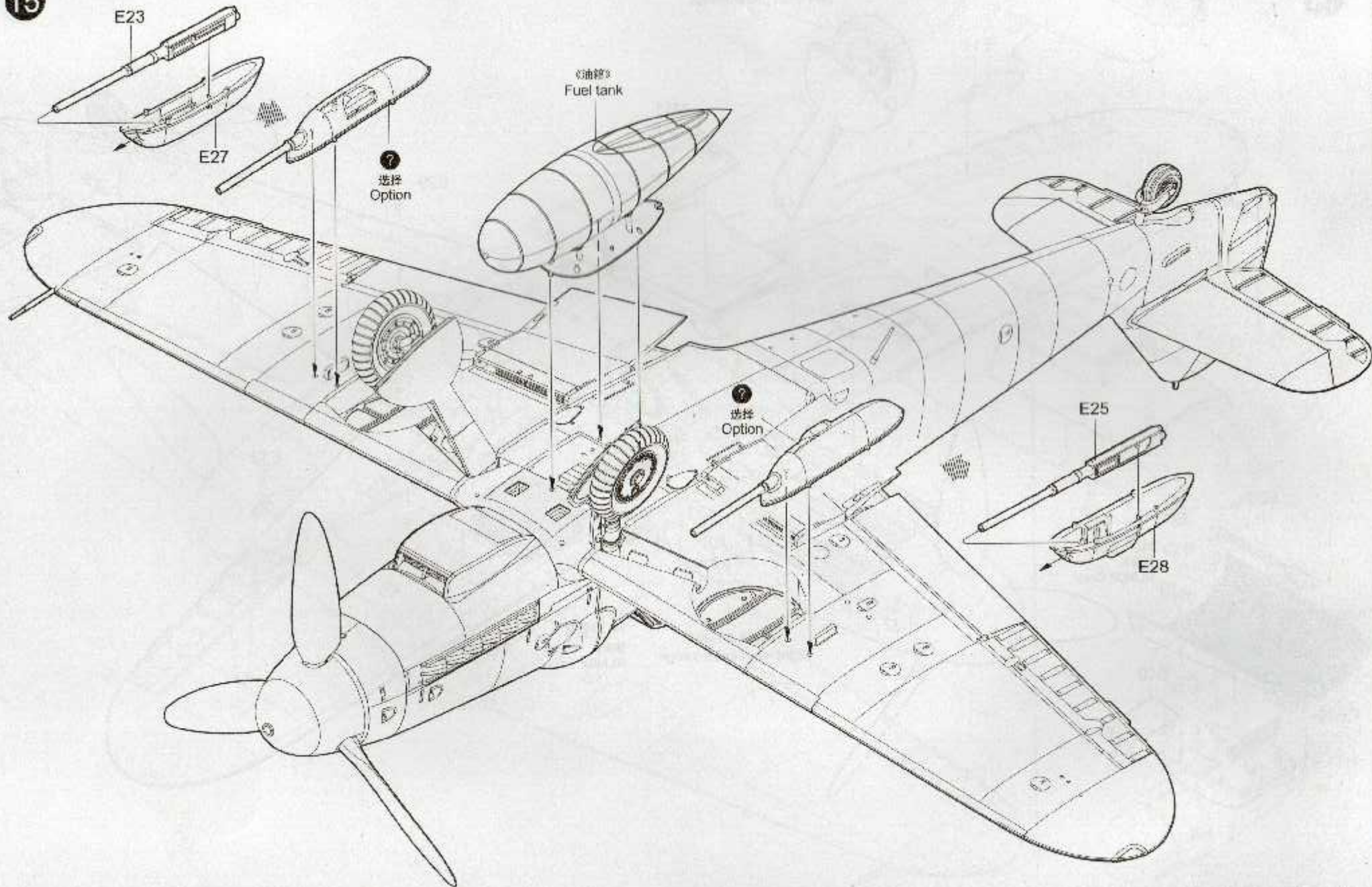
H11

H6

《右侧主起落架》
Right main undercarriage

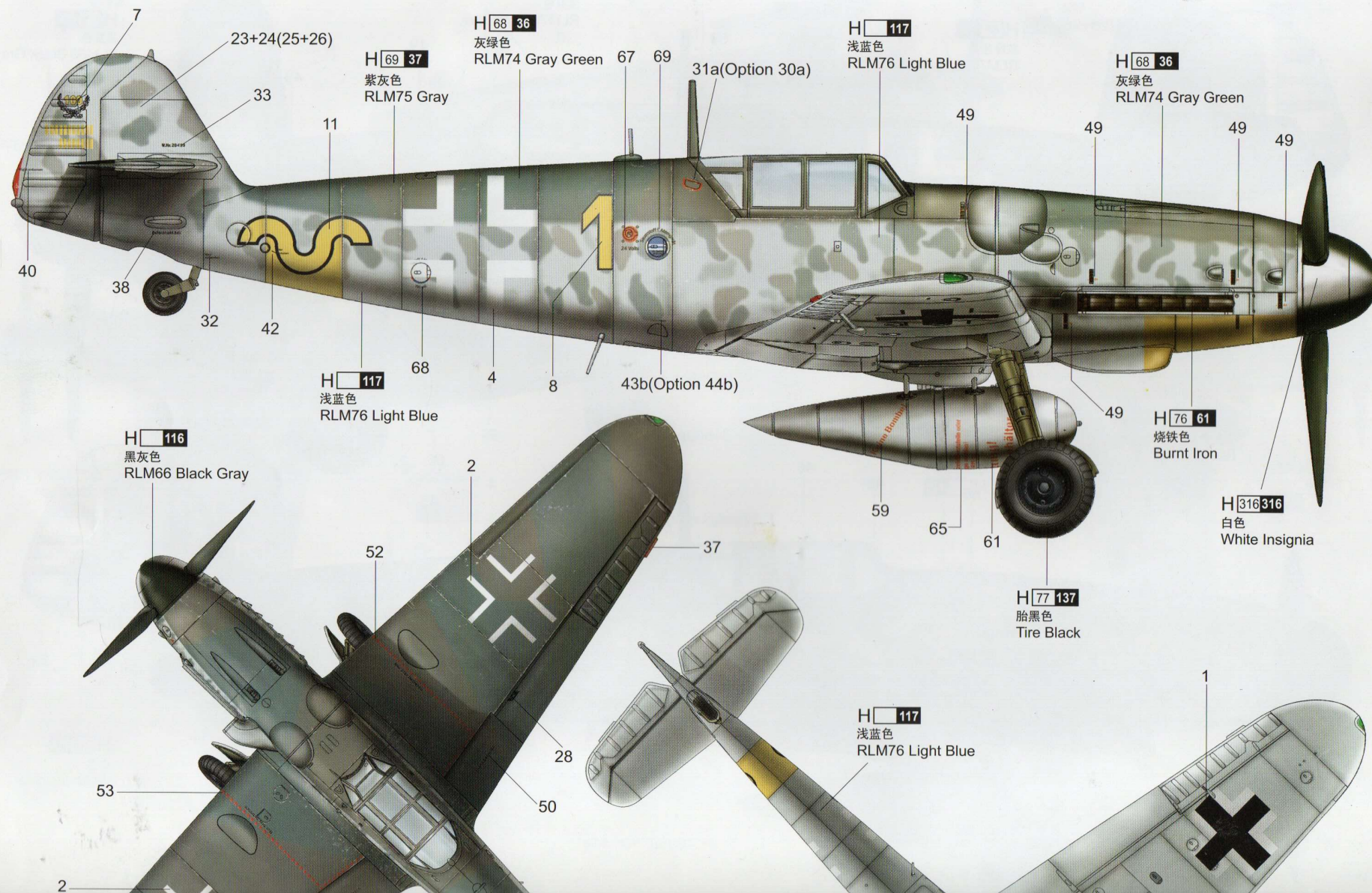
H 70 60
德国灰
RLM02 Gray

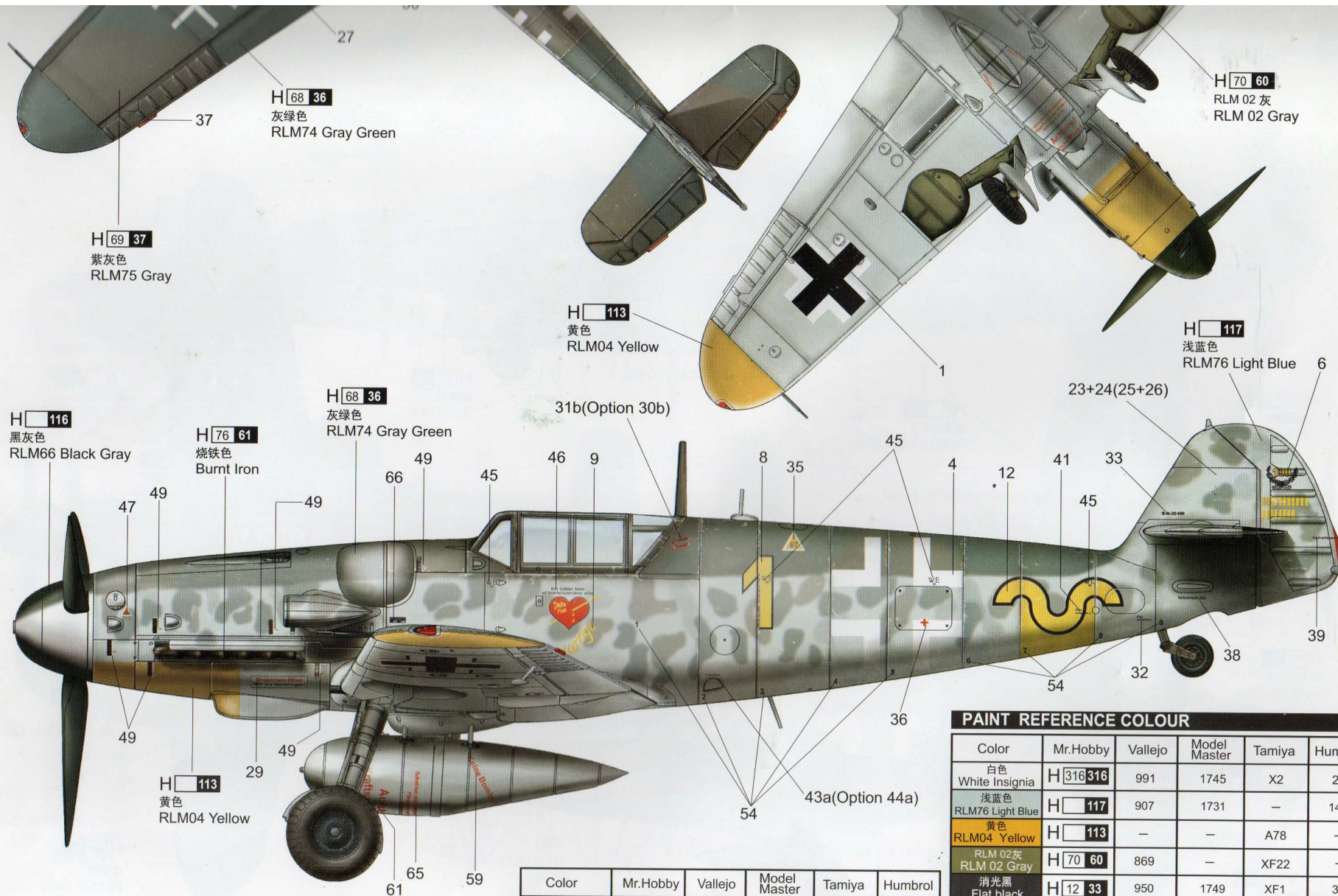
15



涂装同标贴指示 Painting & Marking guide

A Bf109G-6 W.Nr.20499 9/JG52,Russia,October 1943.





H **68 36**
灰绿色
RLM74 Gray Green

H **69 37**
紫灰色
RLM75 Gray

H **70 60**
RLM 02 灰
RLM 02 Gray

H **113**
黄色
RLM04 Yellow

H **117**
浅蓝色
RLM76 Light Blue

H **116**
黑灰色
RLM66 Black Gray

H **76 61**
烧铁色
Burnt Iron

H **68 36**
灰绿色
RLM74 Gray Green

31b(Option 30b)

23+24(25+26)

PAINT REFERENCE COLOUR

Color	Mr.Hobby	Vallejo	Model Master	Tamiya	Humbrol
灰绿色 RLM74 Gray Green	H 68 36	.868	—	XF54	27
紫灰色 RLM75 Gray	H 69 37	—	—	—	—
黑灰色 RLM66 Black Gray	H 116	866	1788	XF24	32

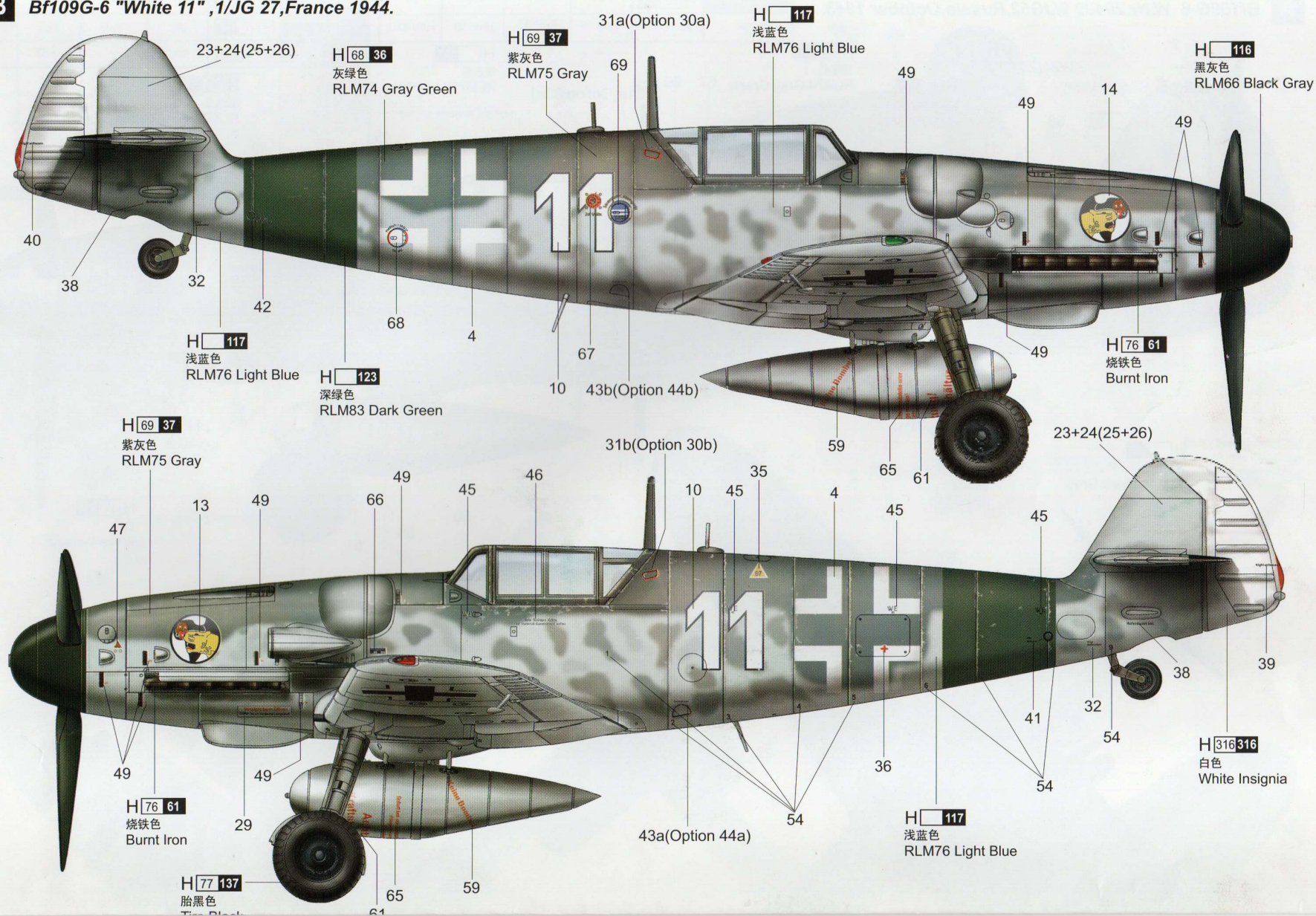
Color	Mr.Hobby	Vallejo	Model Master	Tamiya	Humbrol
白色 White Insignia	H 316 316	991	1745	X2	22
浅蓝色 RLM76 Light Blue	H 117	907	1731	—	146
黄色 RLM04 Yellow	H 113	—	—	A78	—
RLM 02 灰 RLM 02 Gray	H 70 60	869	—	XF22	—
消光黑 Flat black	H 12 33	950	1749	XF1	33
深绿色 RLM83 Dark Green	H 123	892	—	—	—
烧铁色 Burnt Iron	H 76 61	863	1795	X10	53
胎黑色 Tire black	H 77 137	—	—	—	—

H **X** AQUEOUS HOBBY COLOR X Mr. COLOR

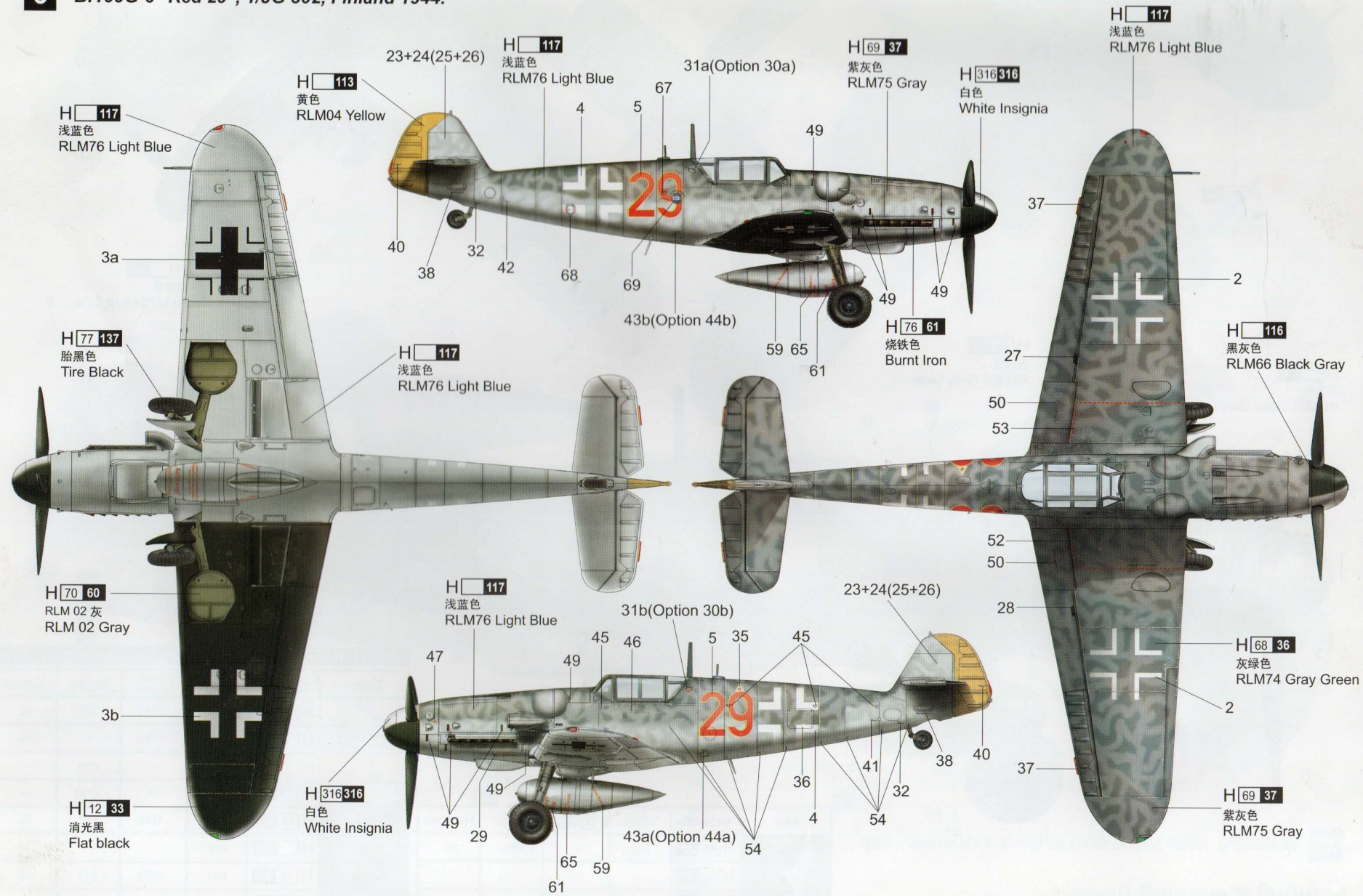
02296 1/32 Messerschmitt Bf 109G-6(Early) **A**

涂装同标贴指示 Painting & Marking guide

B Bf109G-6 "White 11", 1/JG 27, France 1944.



C Bf109G-6 "Red 29", 1/JG 302, Finland 1944.



H [X] AQUEOUS HOBBY COLOR X Mr. COLOR