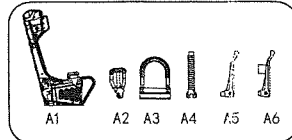




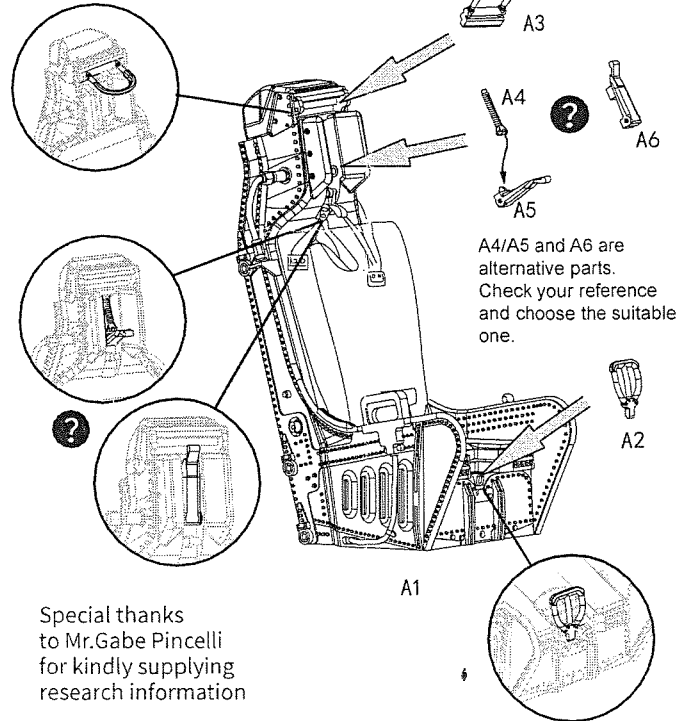
4823

1/48 ESCAPAC 1C-3 Ejection Seat

For A-4 Skyhawk



Dry fit before assembly, then glue the bottom of the seat in proper position.



A4/A5 and A6 are alternative parts. Check your reference and choose the suitable one.

Special thanks to Mr. Gabe Pincelli for kindly supplying research information