

1/35 SCALE  
**5076**  
Military Miniature Series



# Canadian Leopard 2A6M CAN

**WITH WORKABLE TRACK LINKS**

## ASSEMBLY ICONS



OPTIONAL  
选择



CEMENT  
膠水



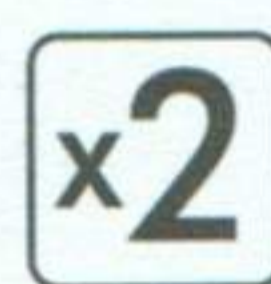
DO NOT CEMENT  
不使用膠水



INSTANT CEMENT  
瞬間接著劑



BEND  
彎折



MAKE 2  
製作2組



OPEN HOLE  
鑽孔



REMOVE  
切除



BE CAREFUL  
注意



APPLY DECAL  
貼上水貼紙

## CAUTION!

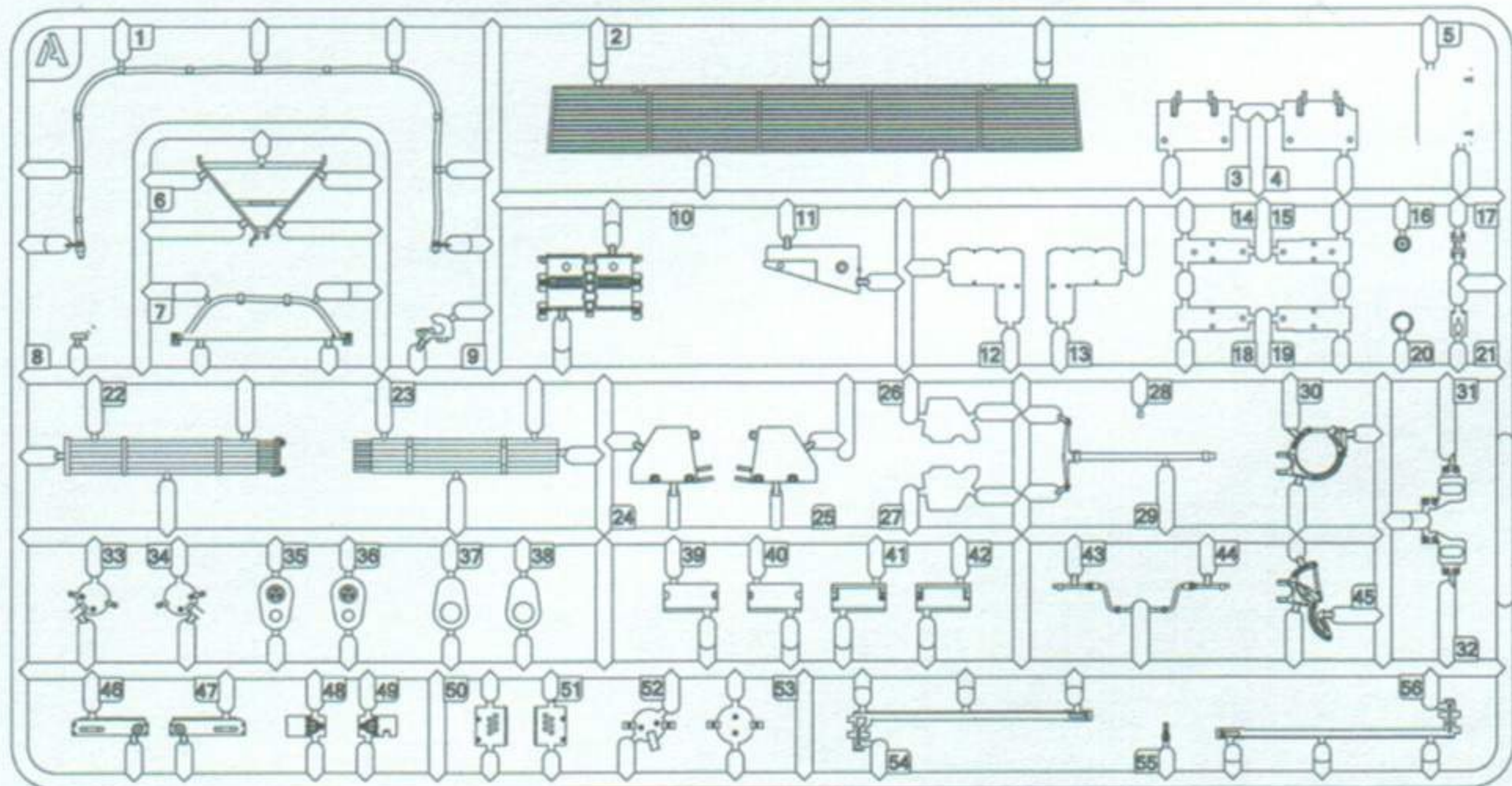
Read carefully and fully understand the instructions before commencing assembly.  
Supervising adult should also read the instructions if a child assembles the model.  
When you used glue or paint, do not use near a naked flame, and use in a well-ventilated room.  
When assembling this kit, tools including knives are used. Extra care should be taken to avoid personal injury.  
Read and follow the instructions supplied with paints and/ or cement. Use plastic cement and paints only.  
Keep out of reach of small children. Children must not be allowed to suck any part, or pull vinyl bag over the head.

在裝配前仔細閱讀說明並完全理解。小孩裝配時需成人看護且需仔細閱讀說明。  
使用膠水和油漆時，應遠離火源並打開窗戶保持空氣流通。  
製作時請格外注意工具刀和零件的鋒利尖銳部分，避免對身體造成傷害。  
在使用膠水和油漆前仔細閱讀注意事項，按照說明正確使用膠水和油漆。  
請將本品放在兒童接觸不到的地方，套件中的塑膠包裝袋會對兒童造成窒息的危險。

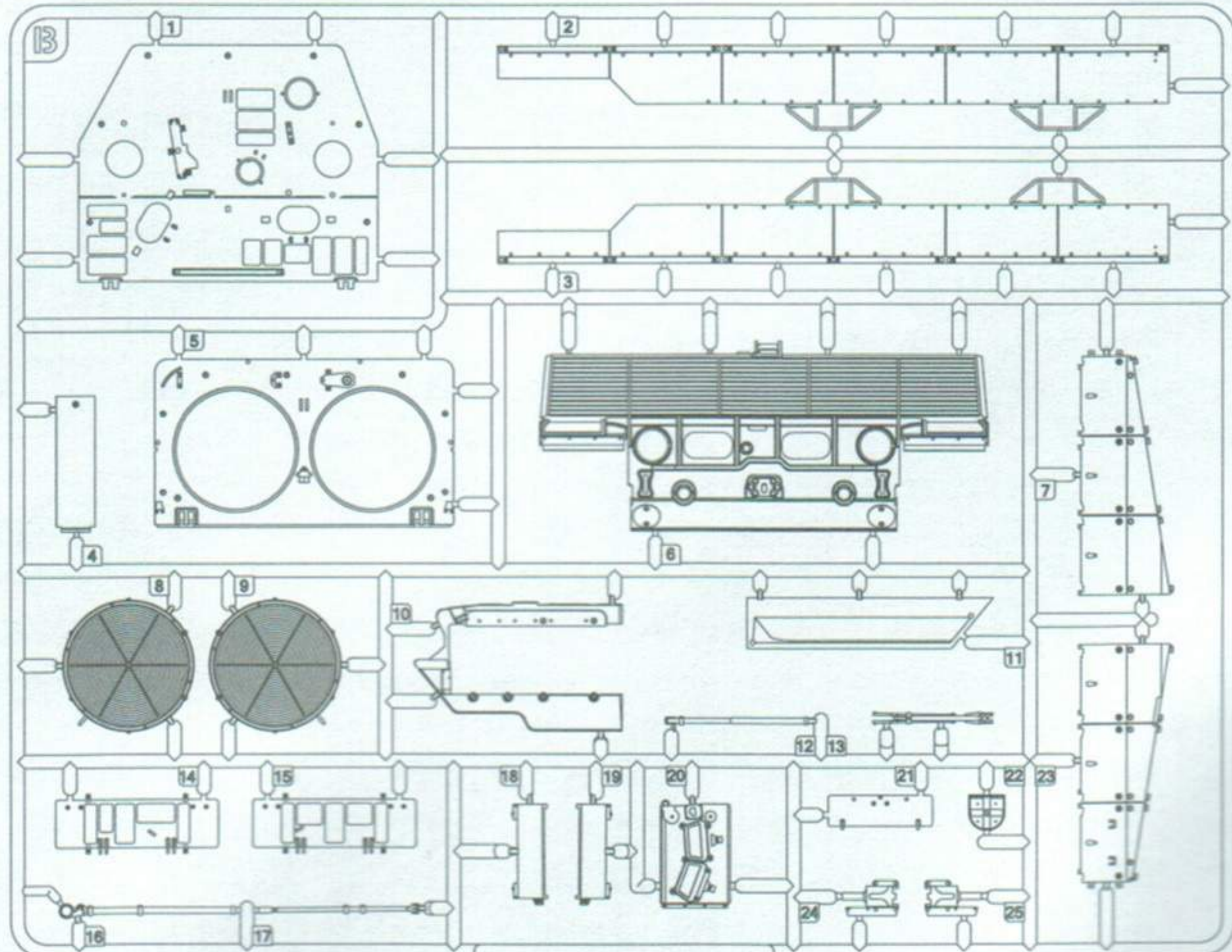
DATTO



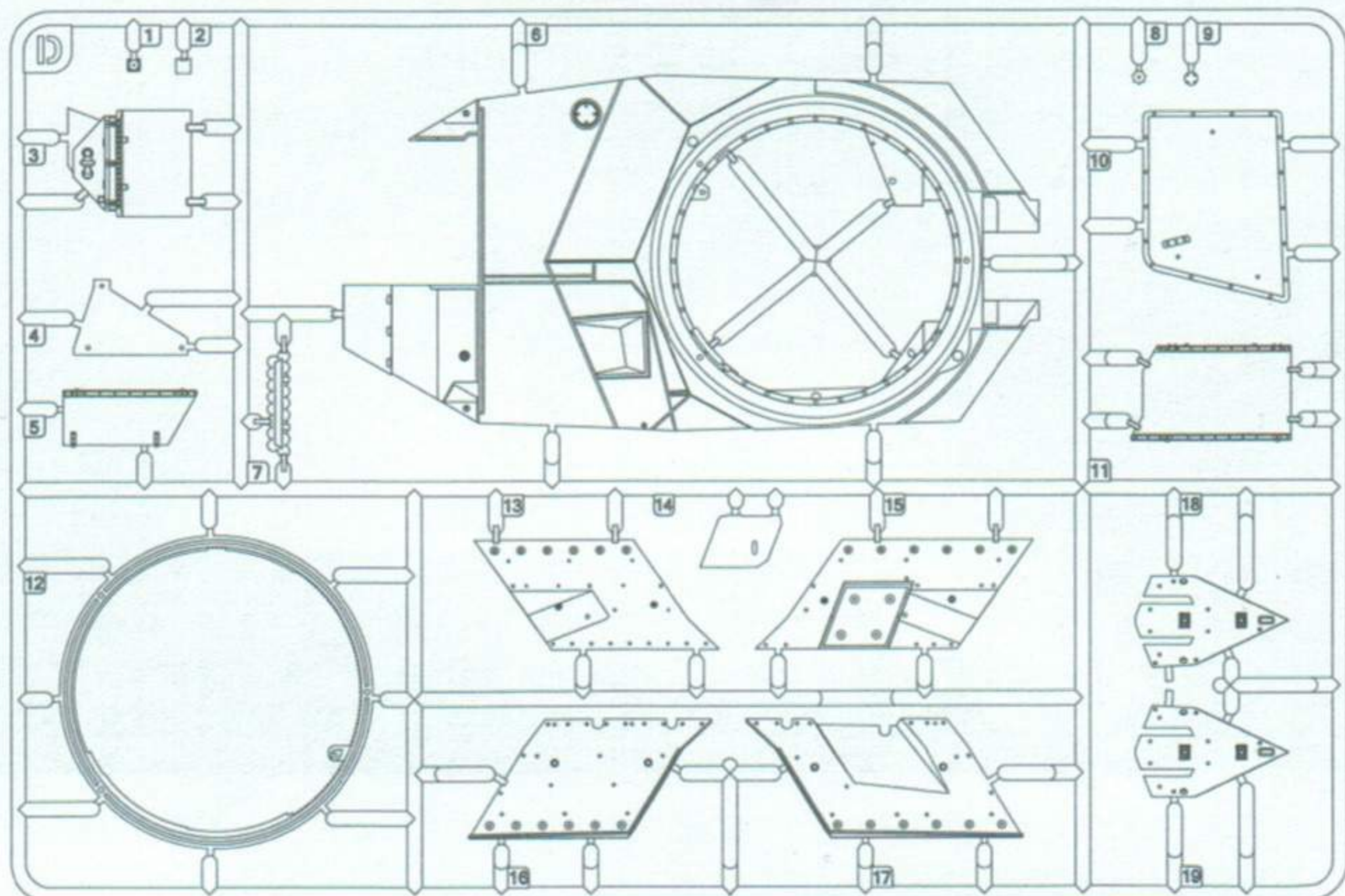
A x 1



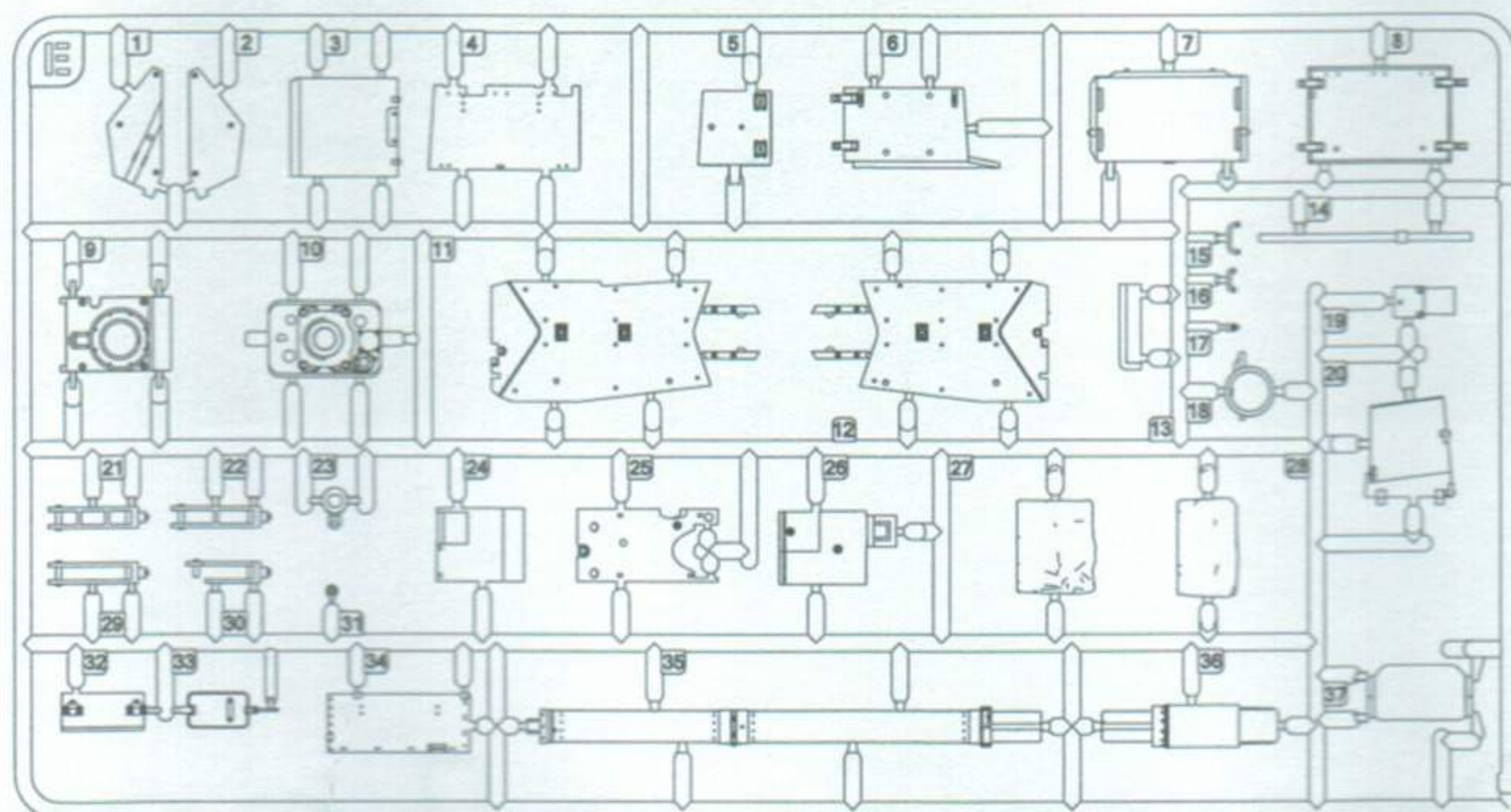
B x 1



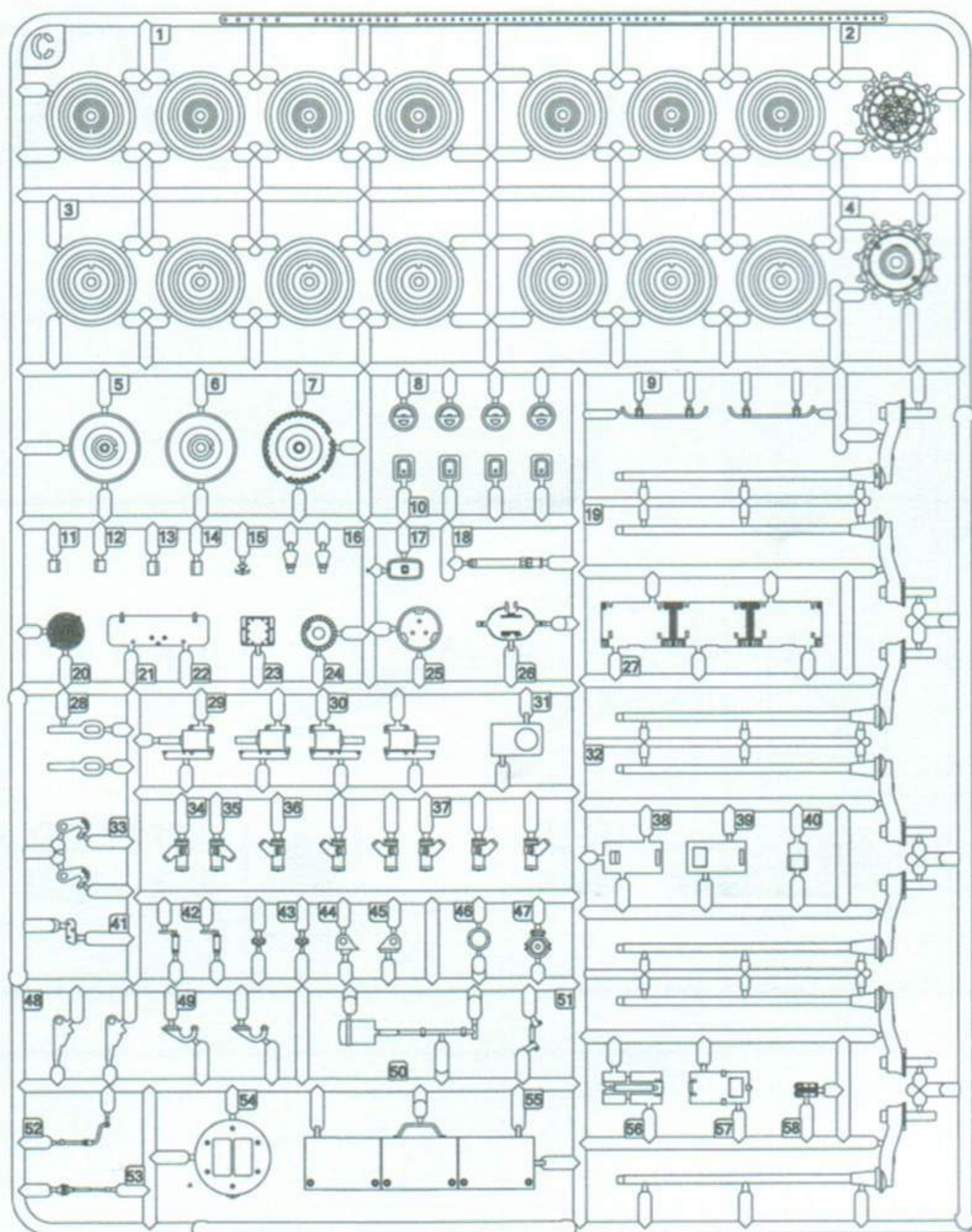
D x 1



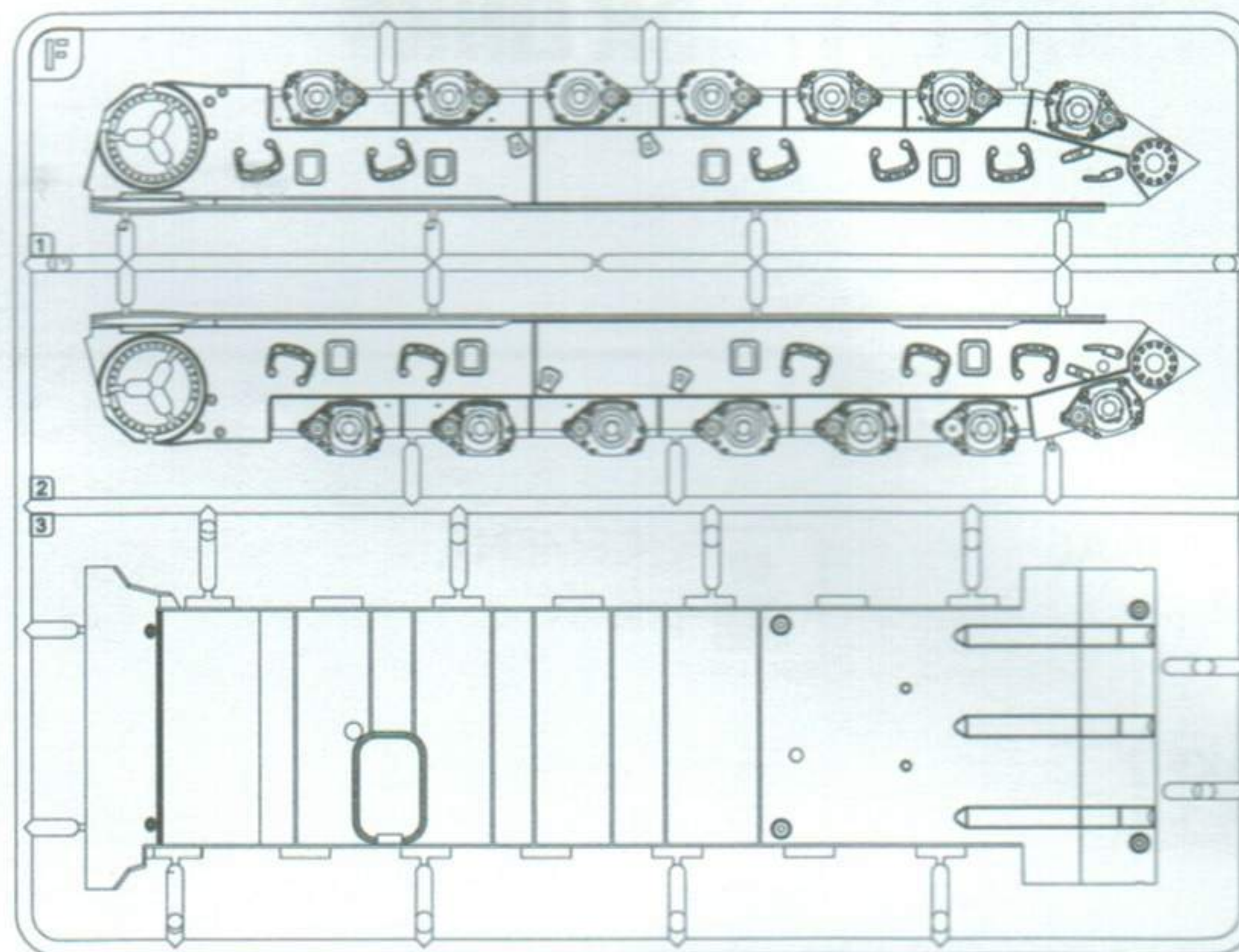
E x 1



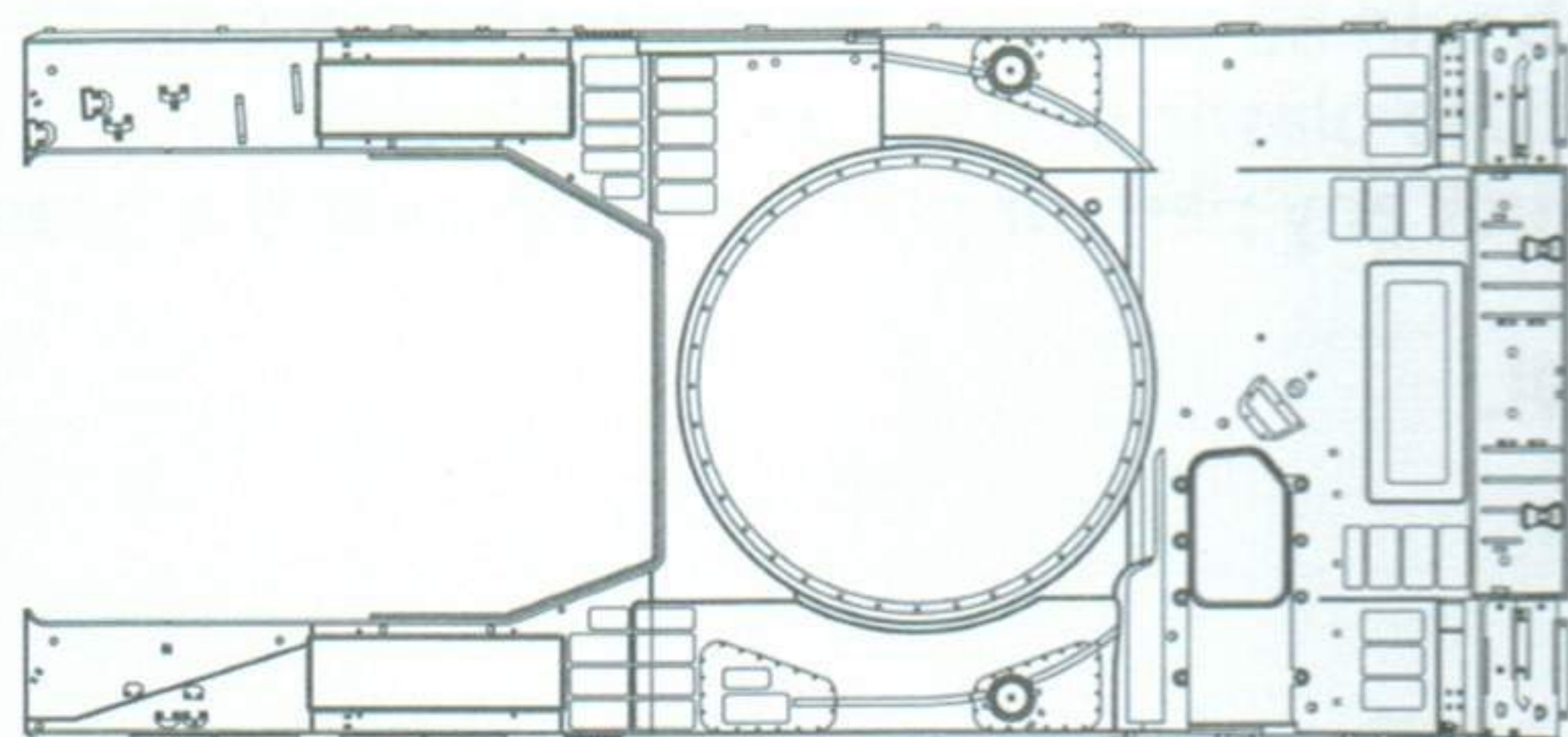
C x 2



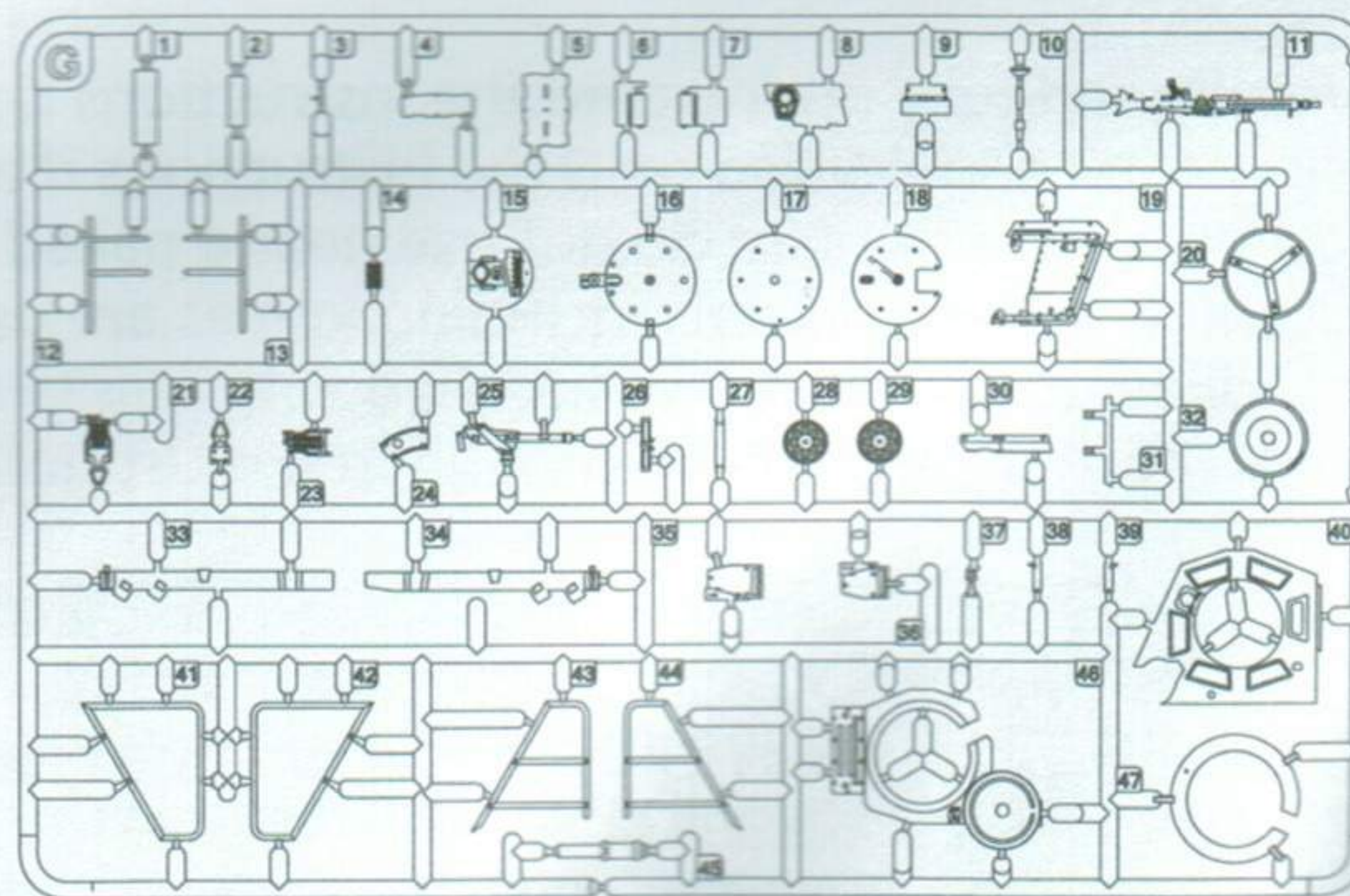
F x 1



UPPER HULL

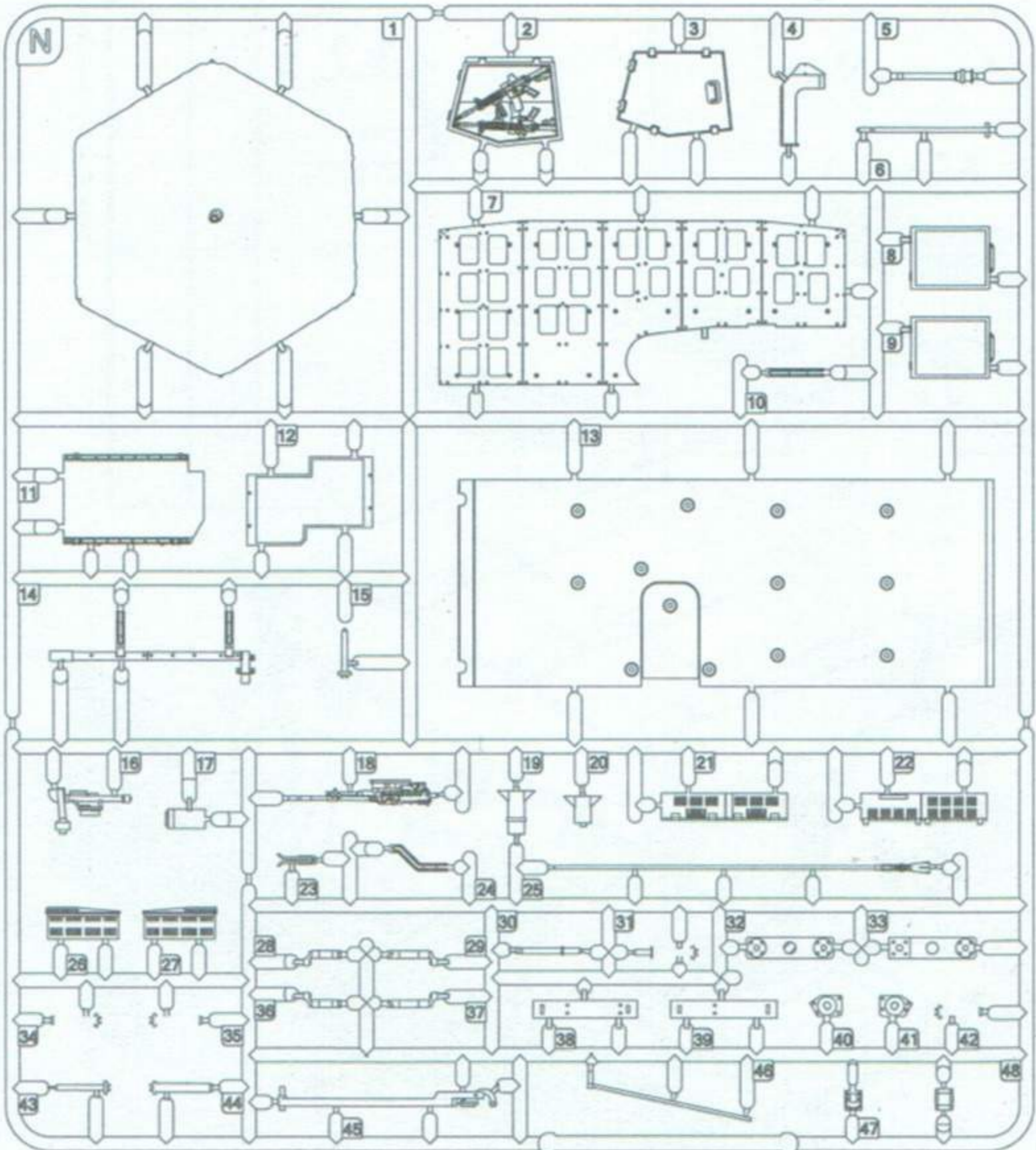


G x 1

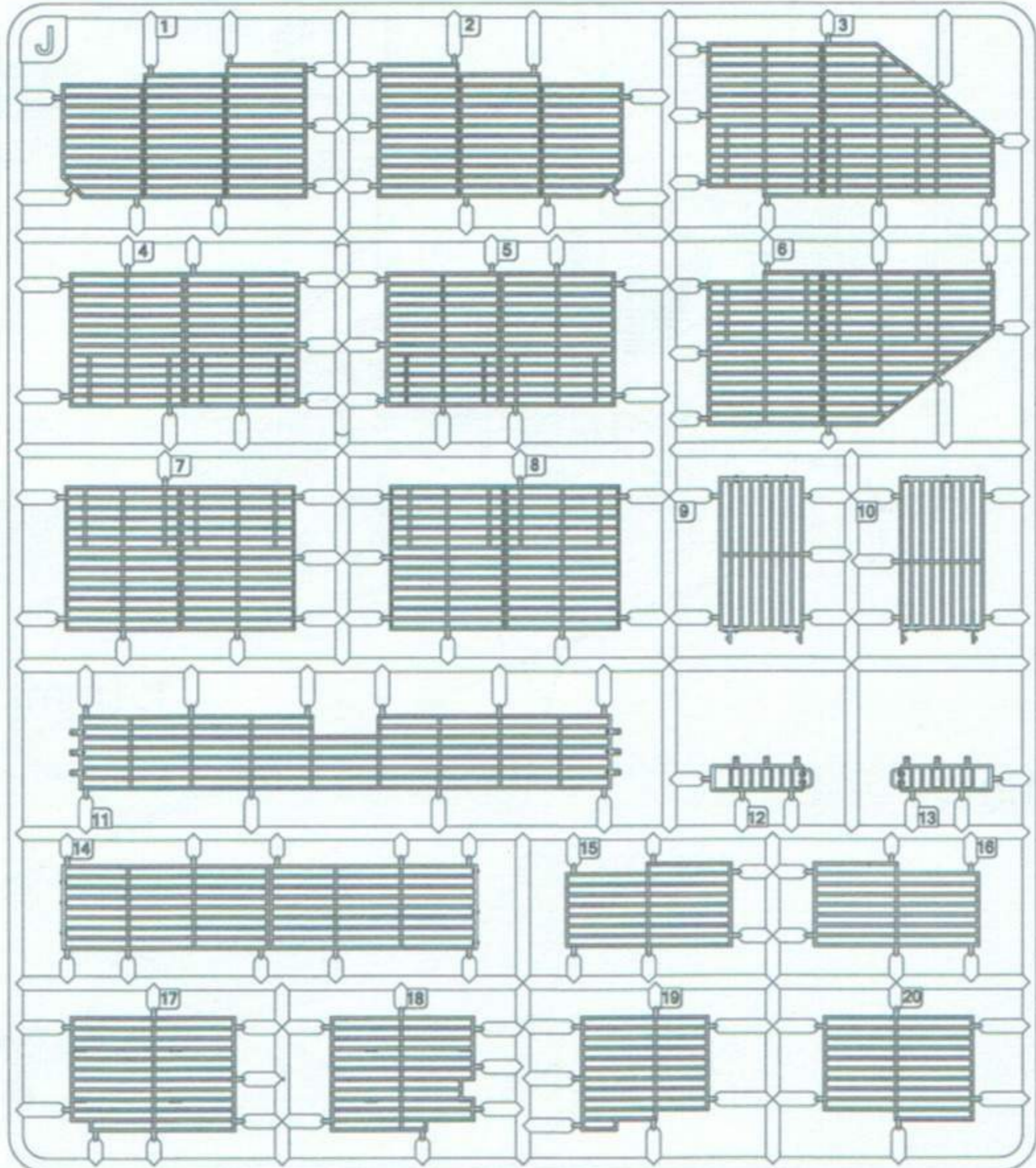




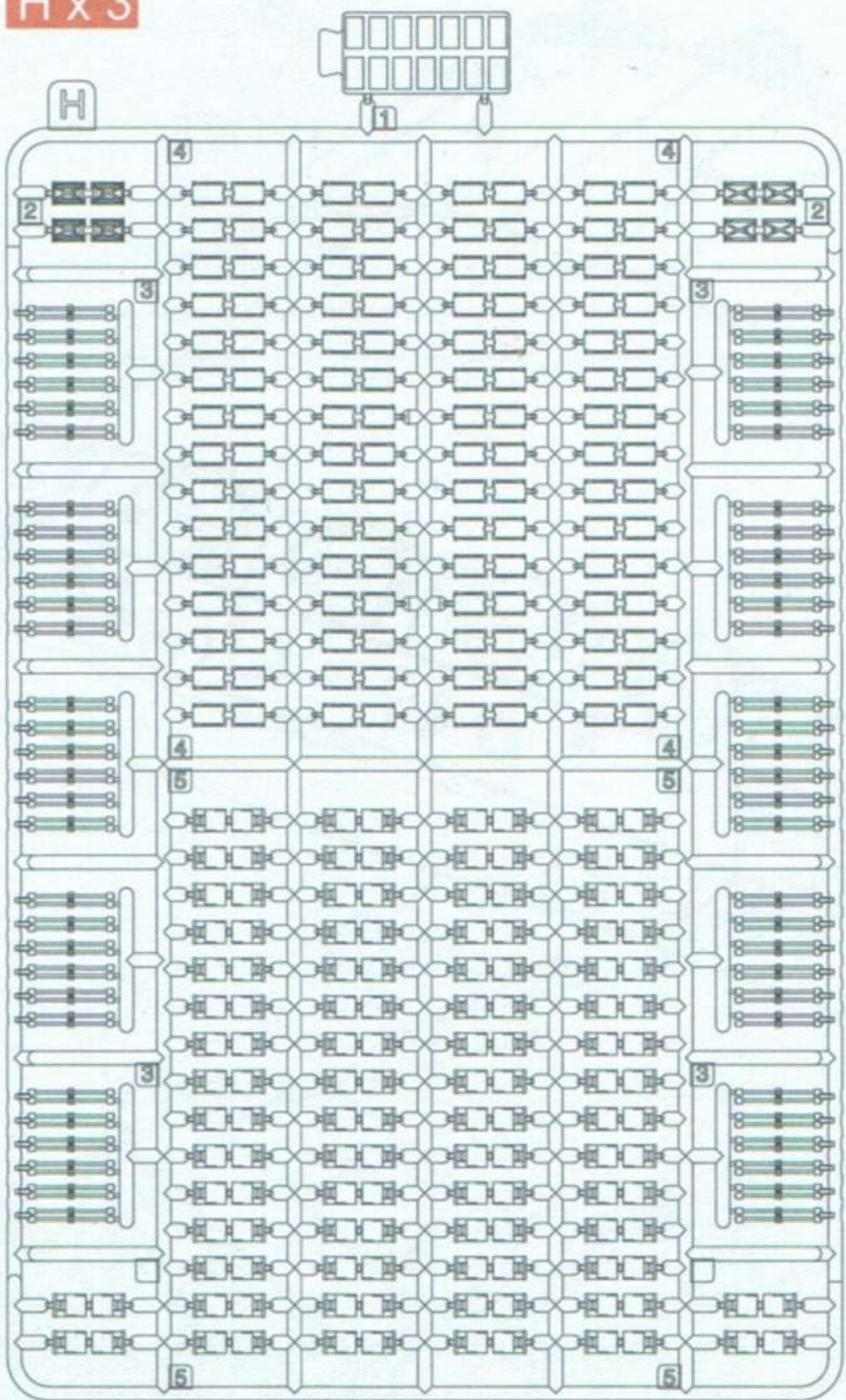
N x 1



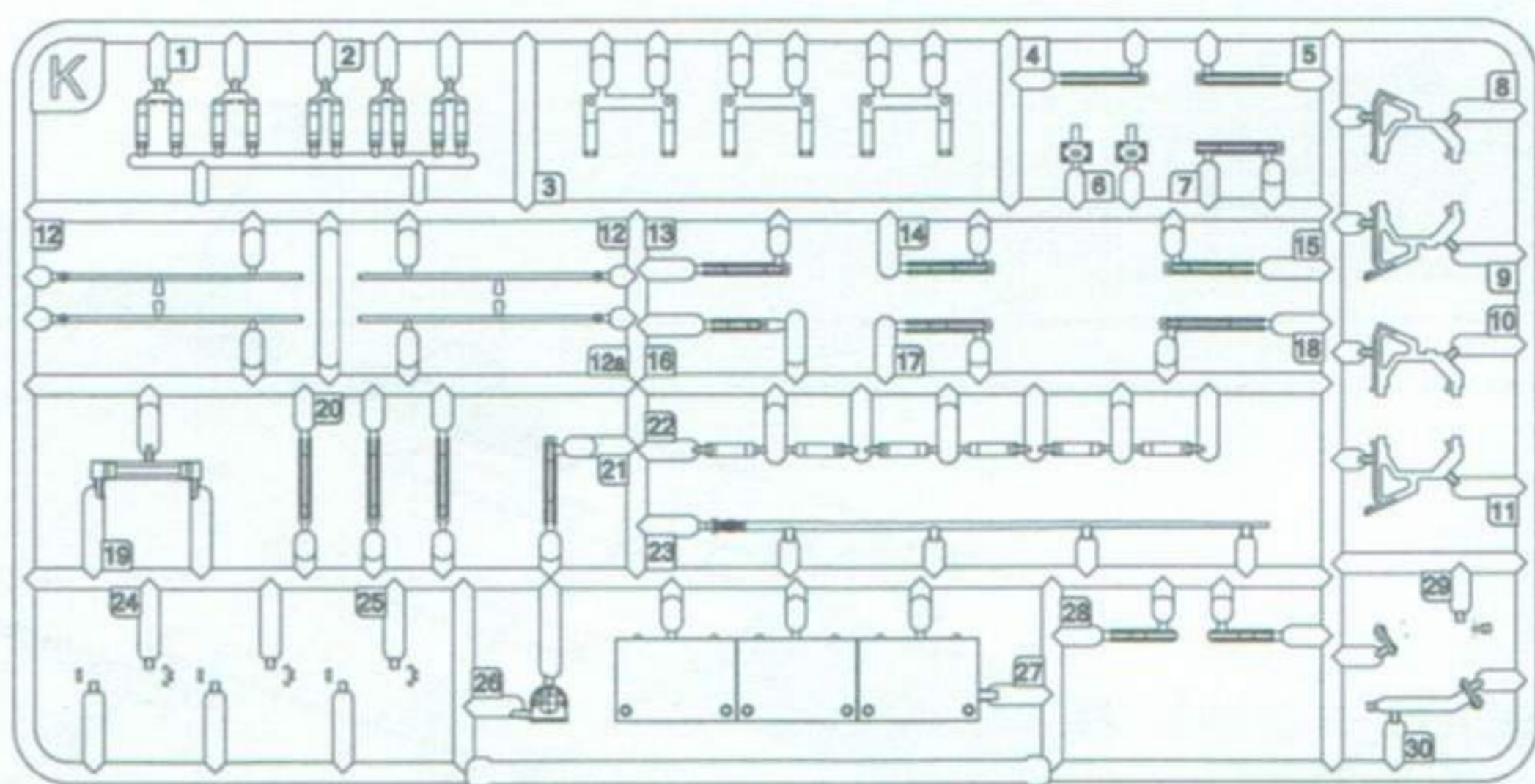
J x 1



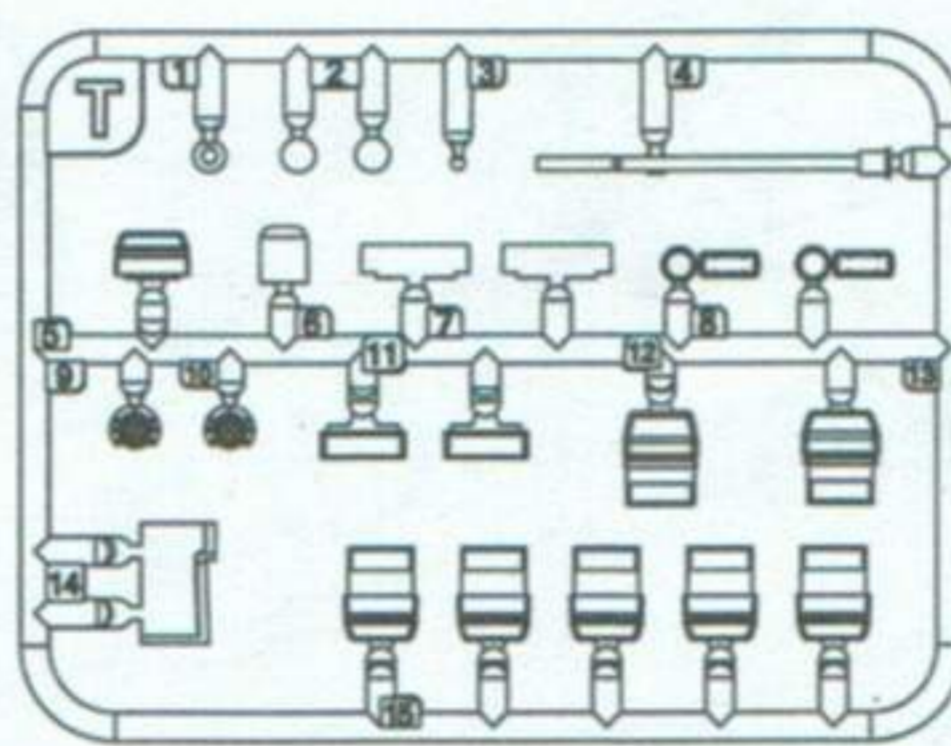
H x 3



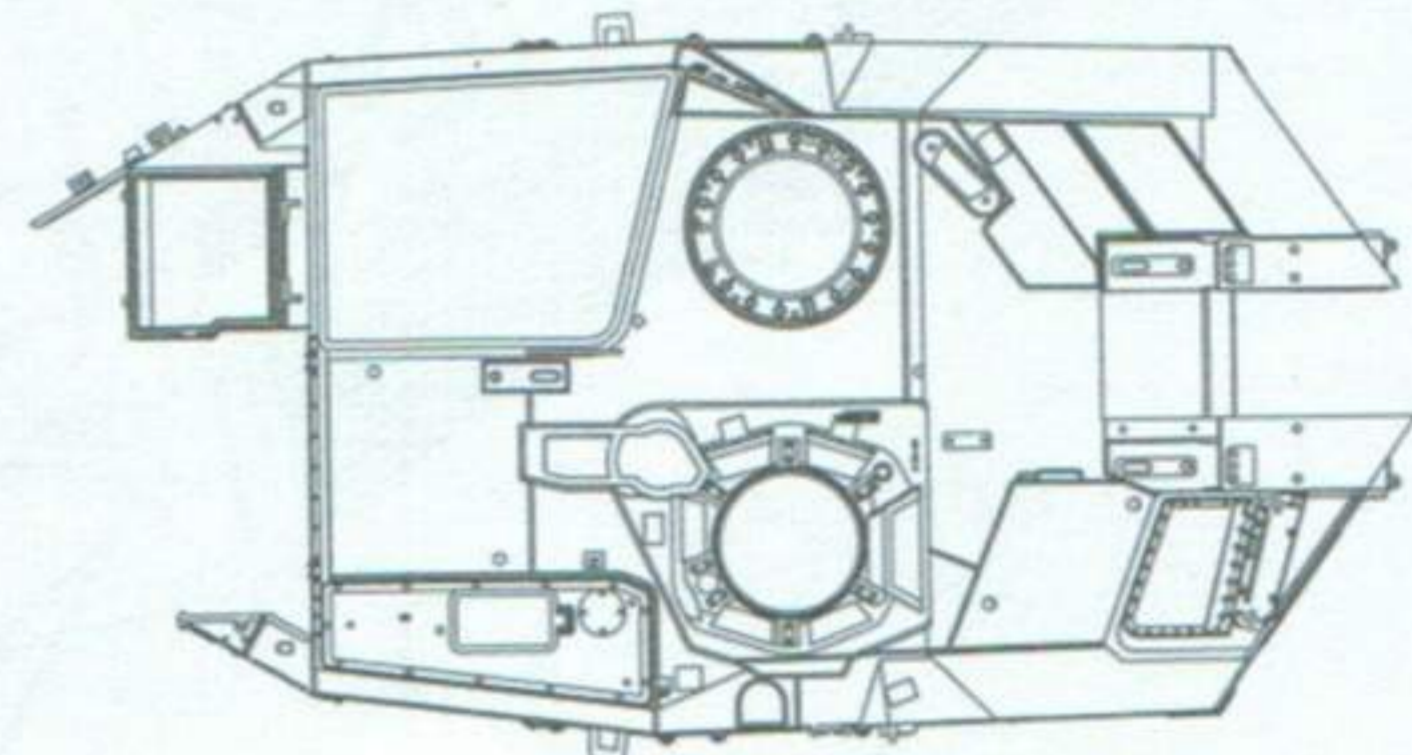
K x 2



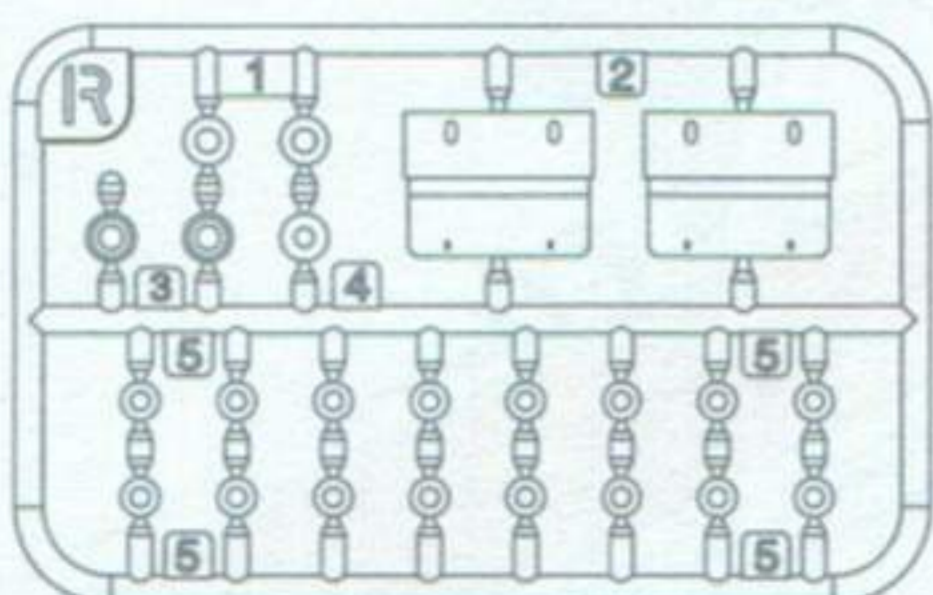
T x 1



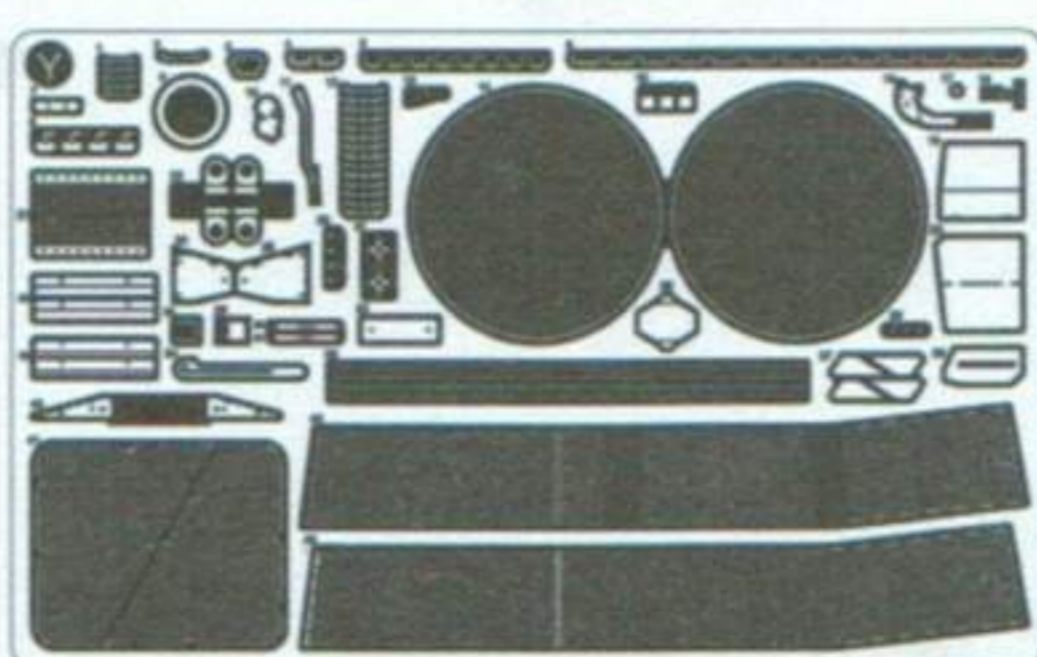
TURRET



R x 1



Y x 1



Cable 450mm

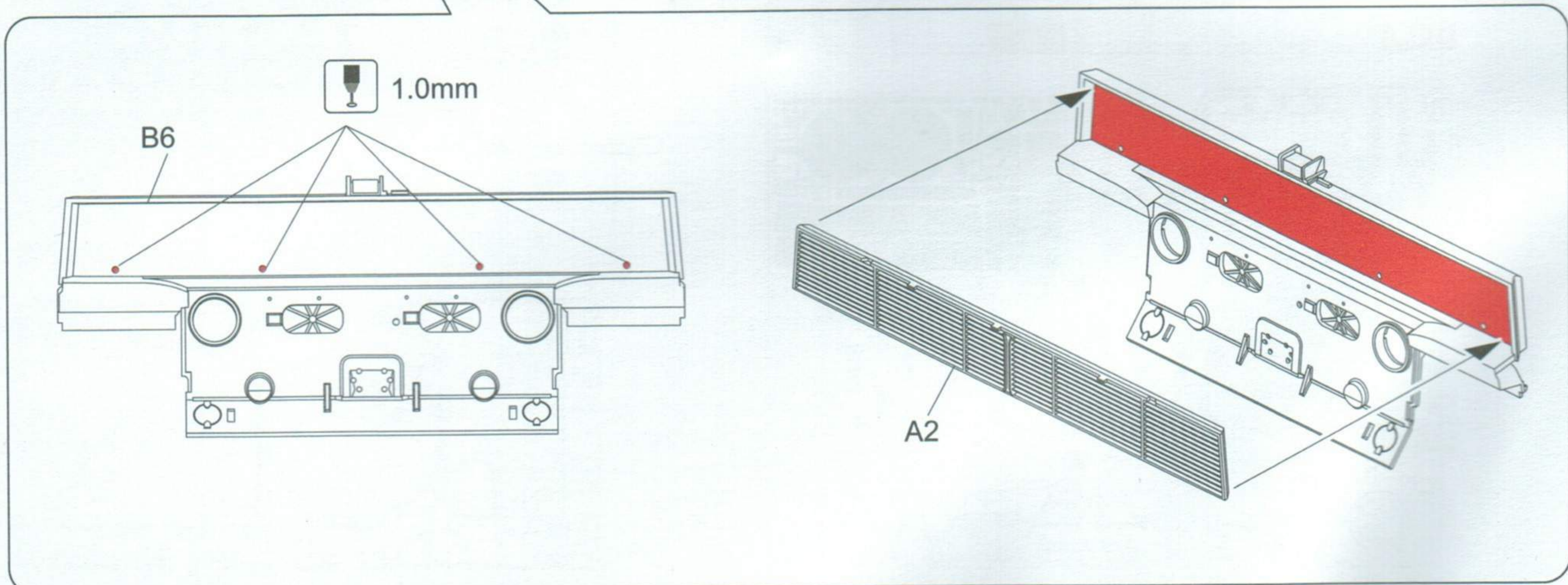
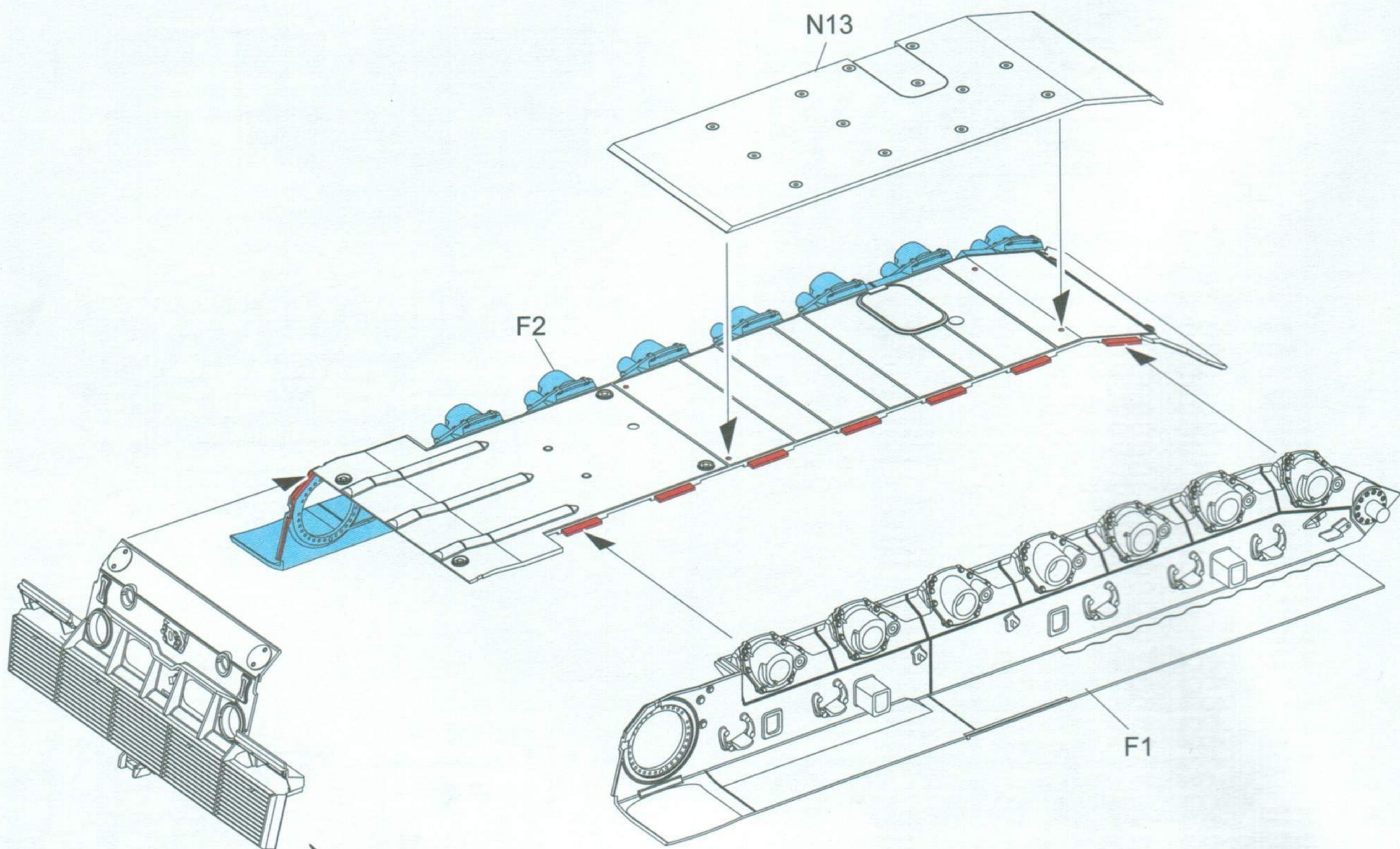
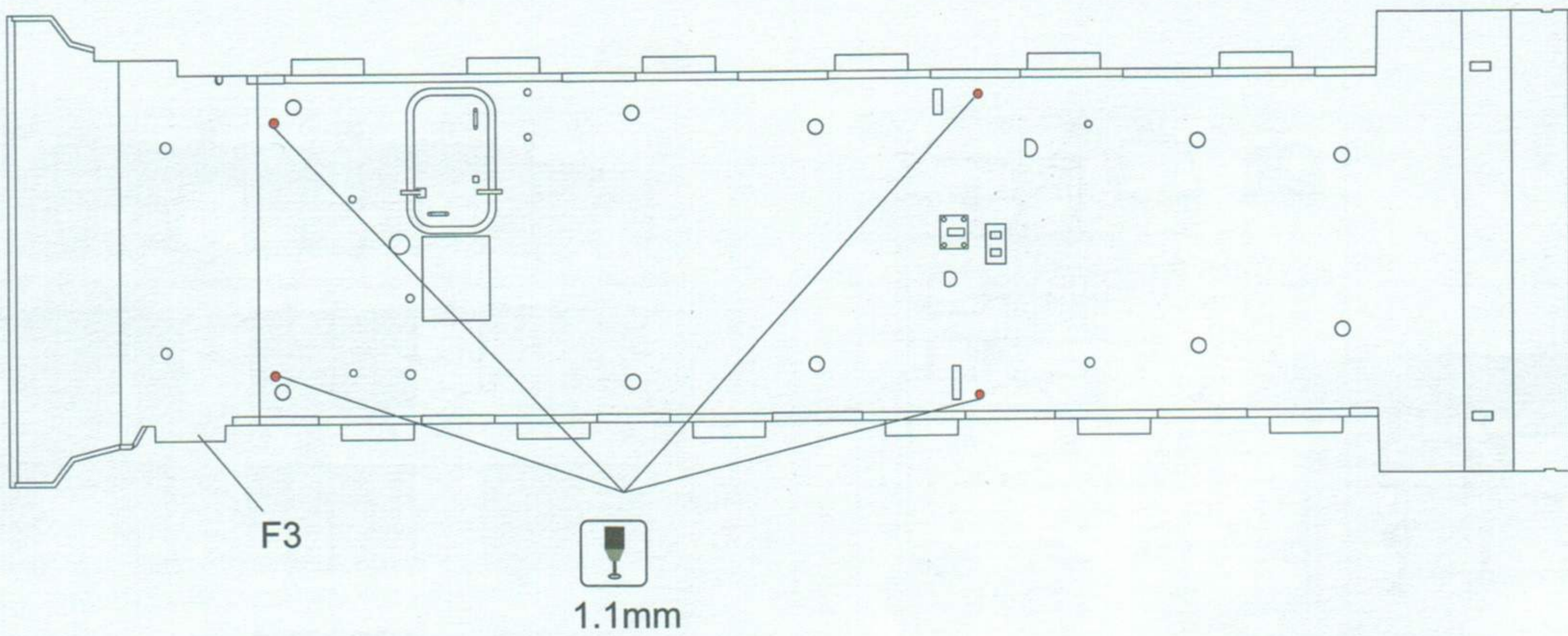


Decal



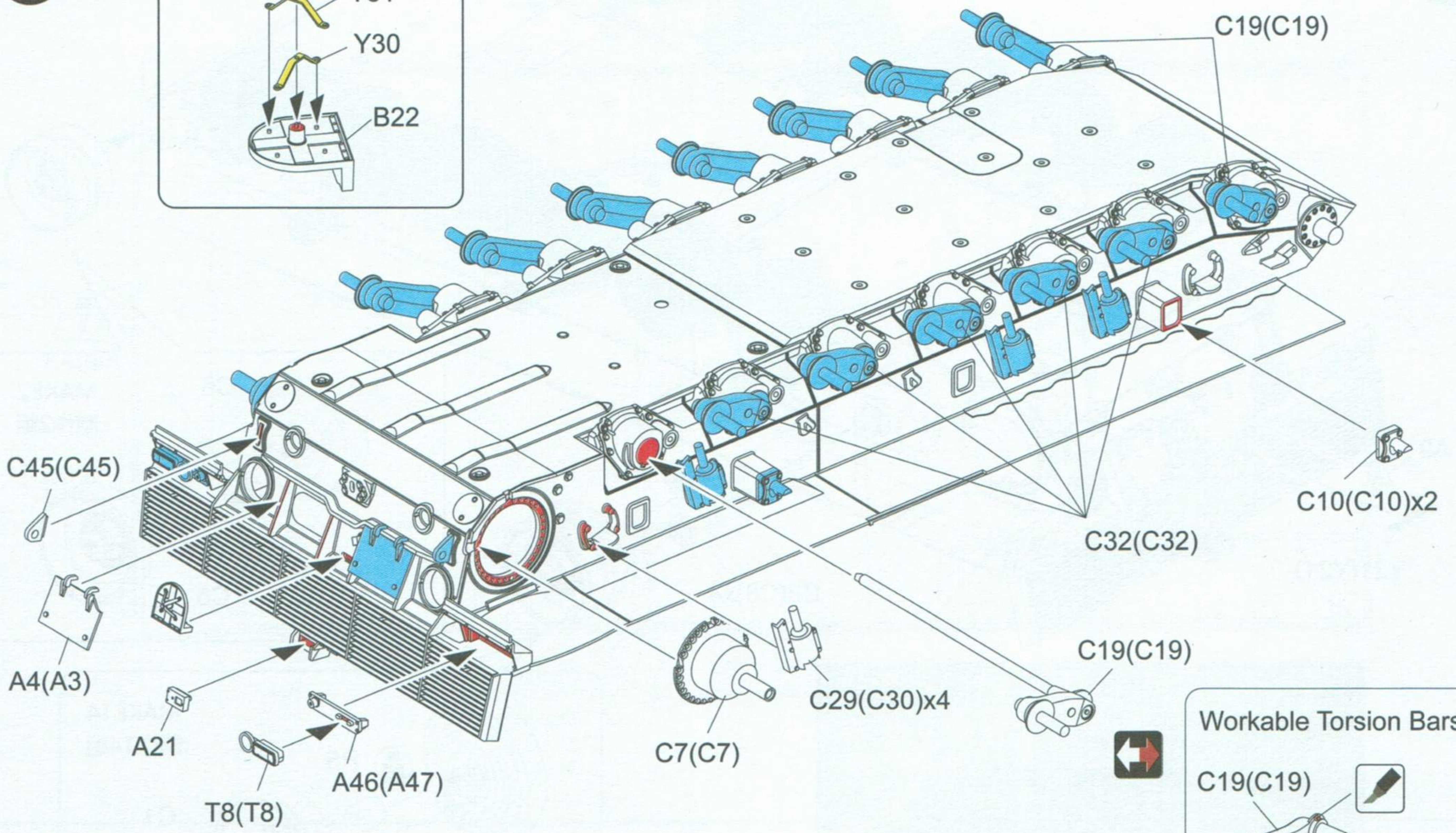
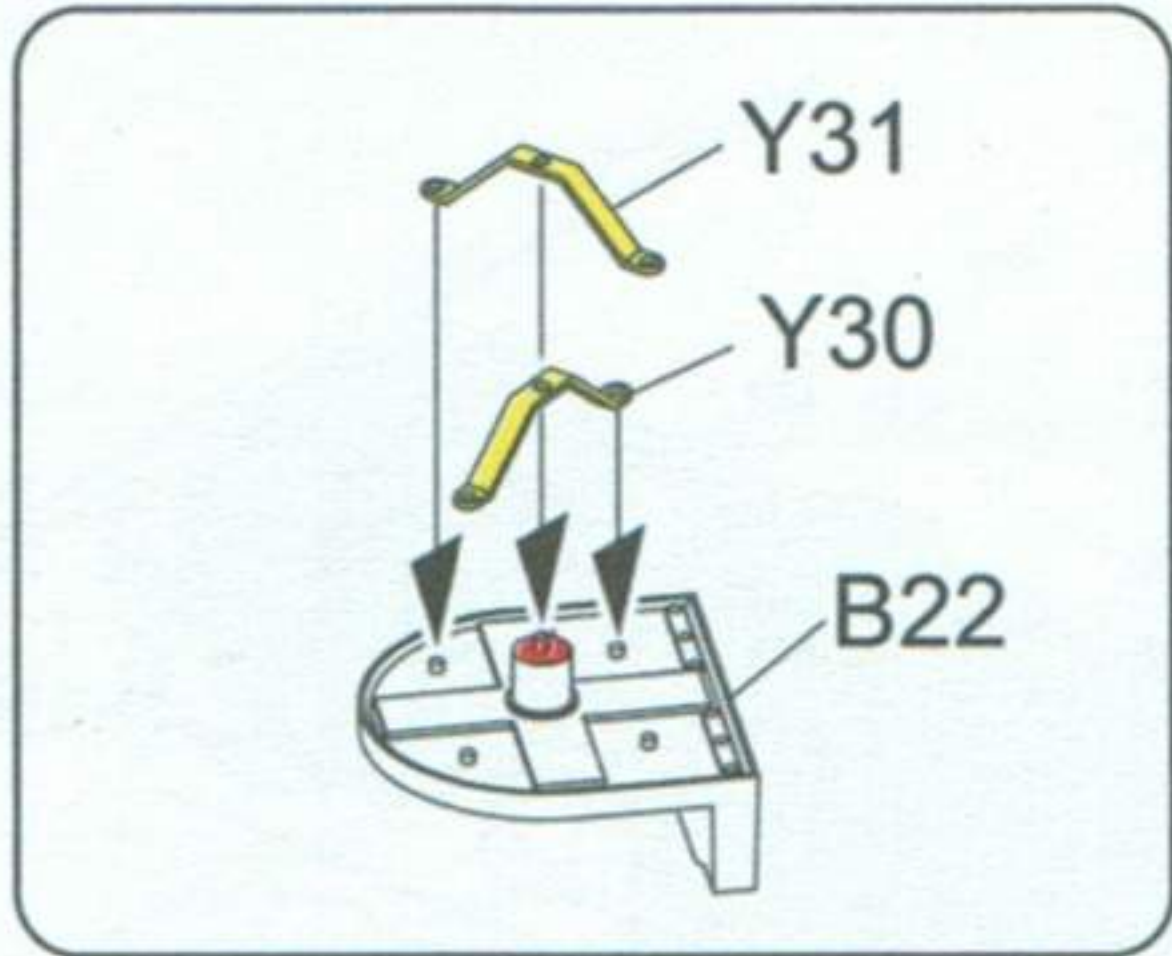


1



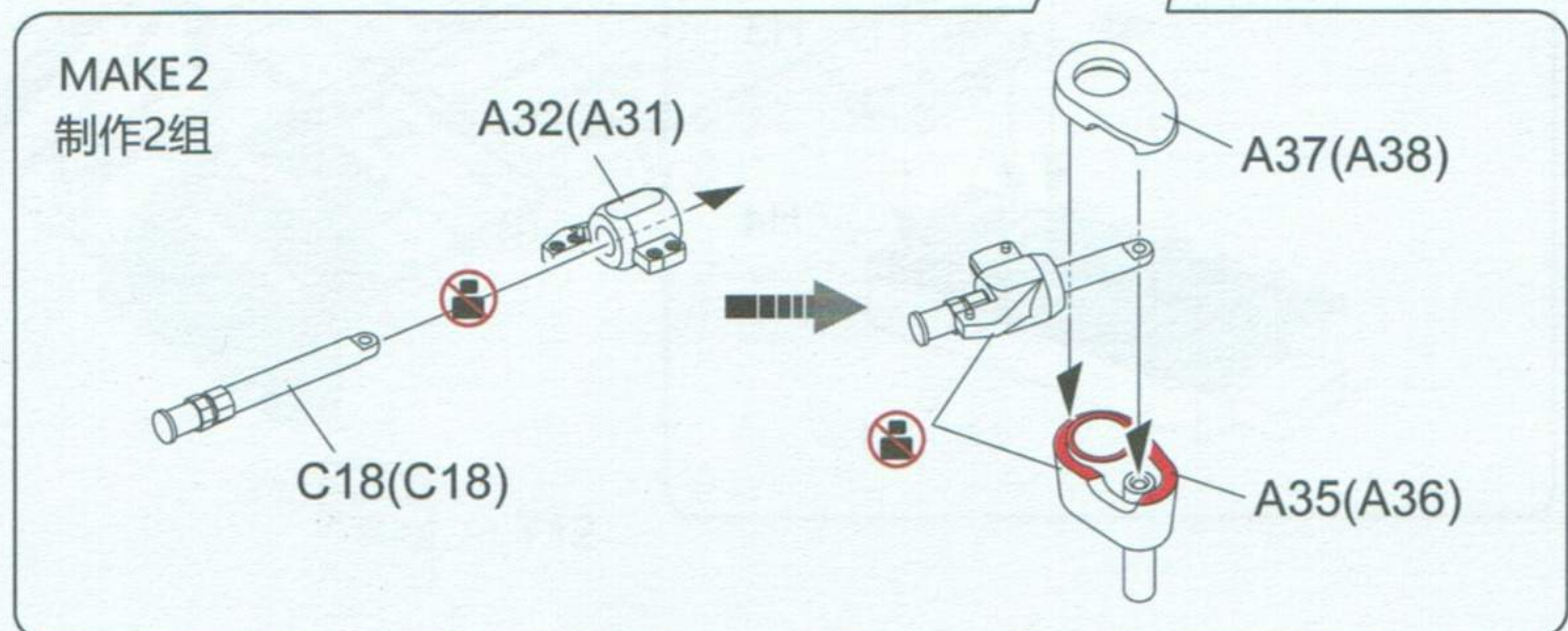
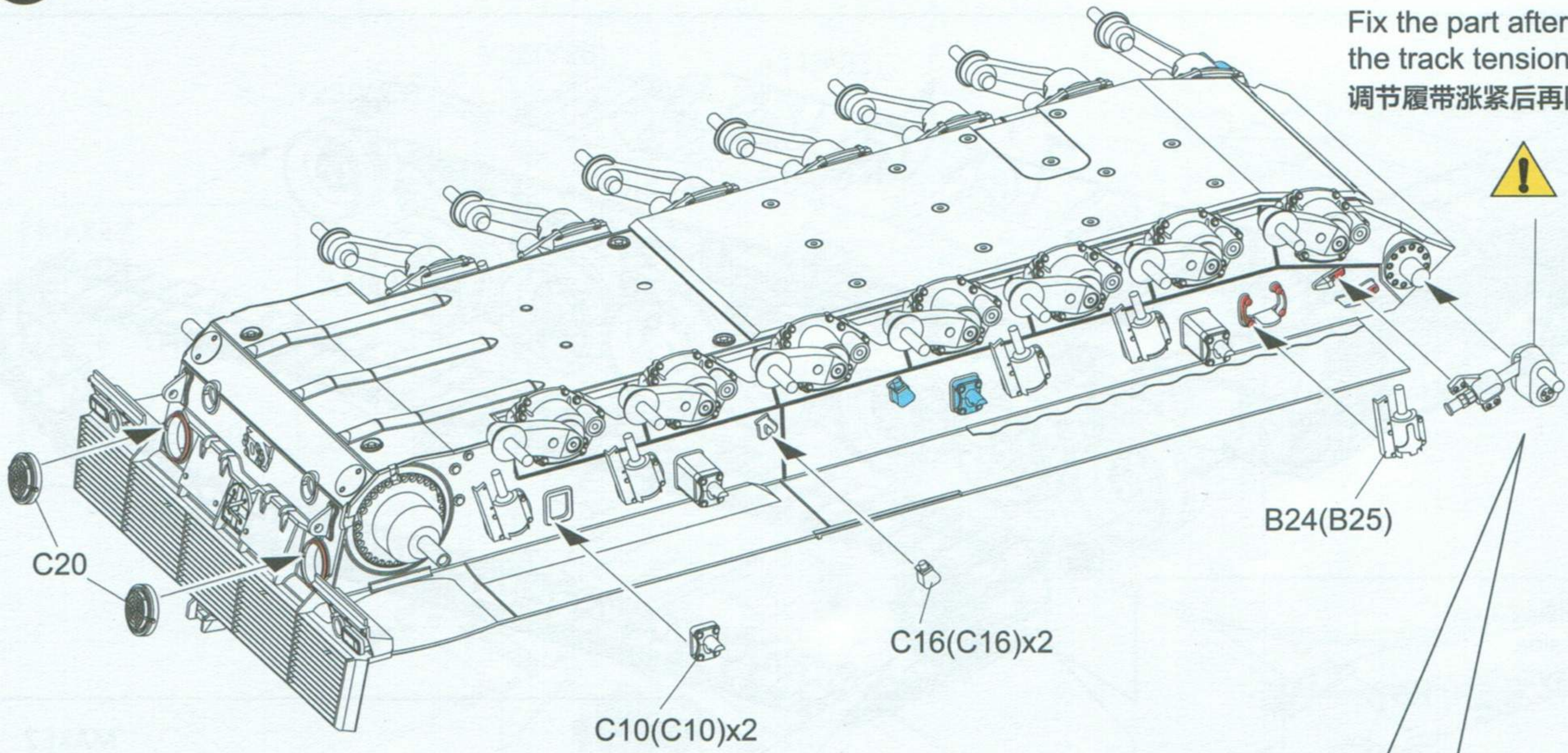


2



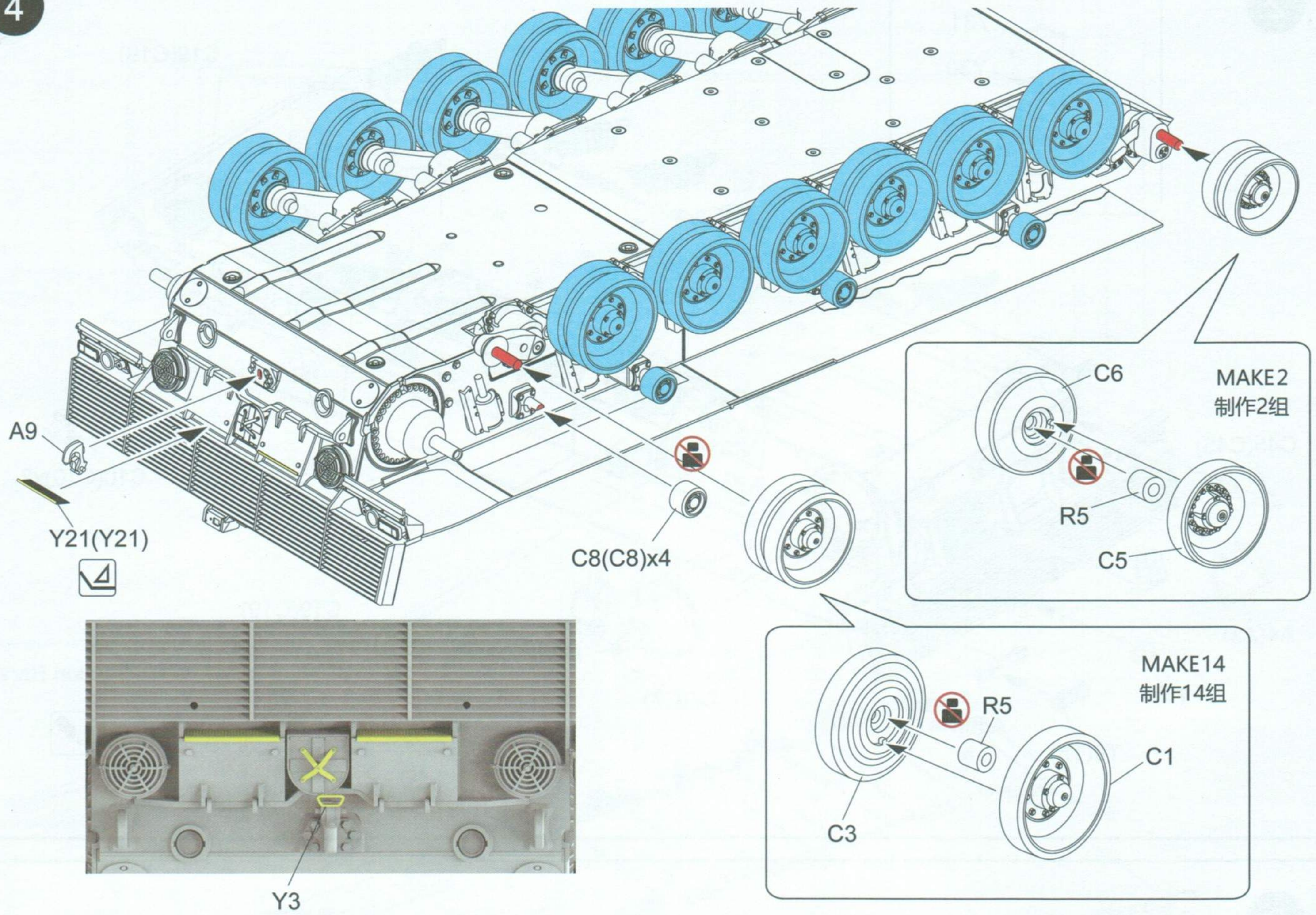
3

Fix the part after adjusting the track tension  
调节履带涨紧后再固定零件

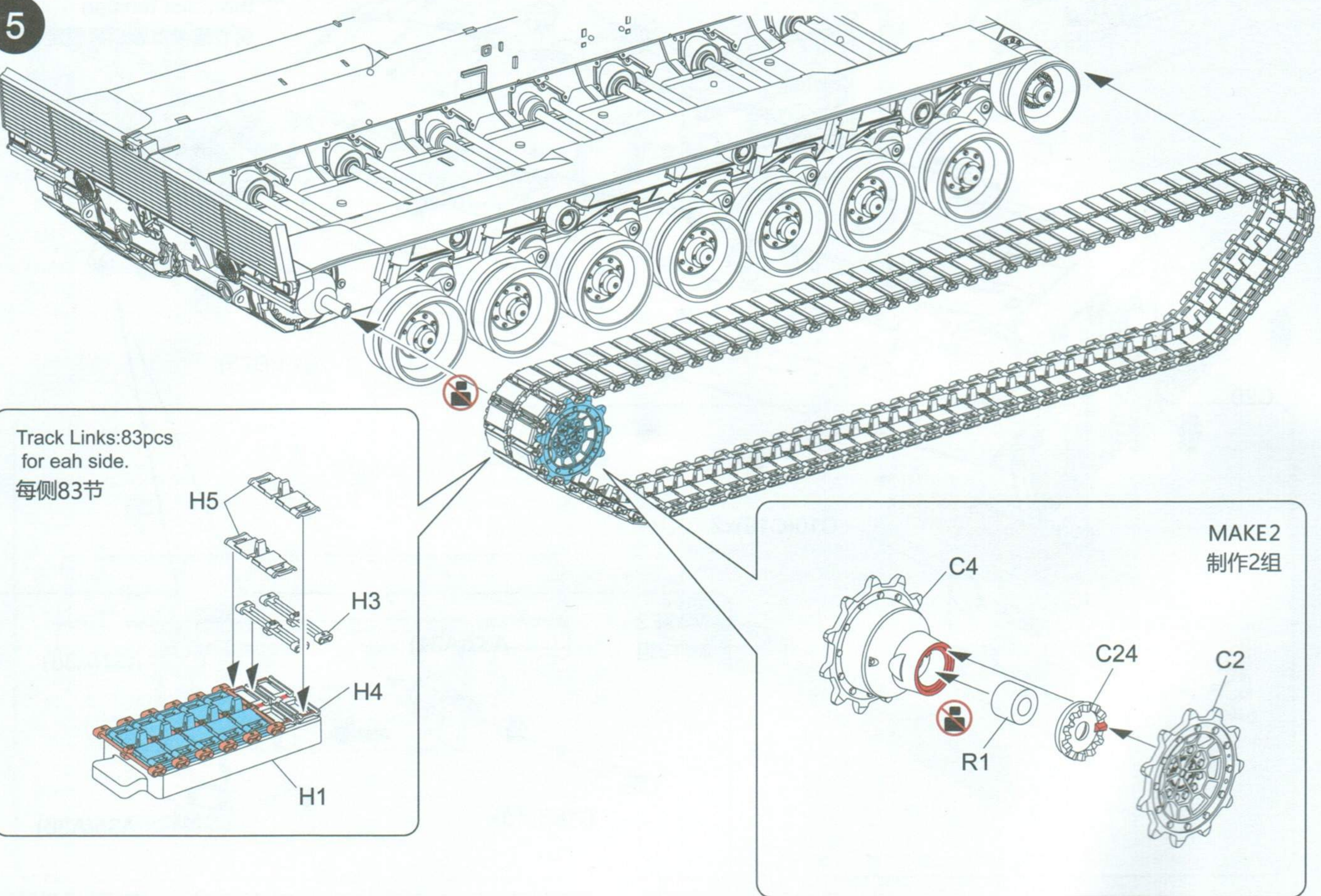




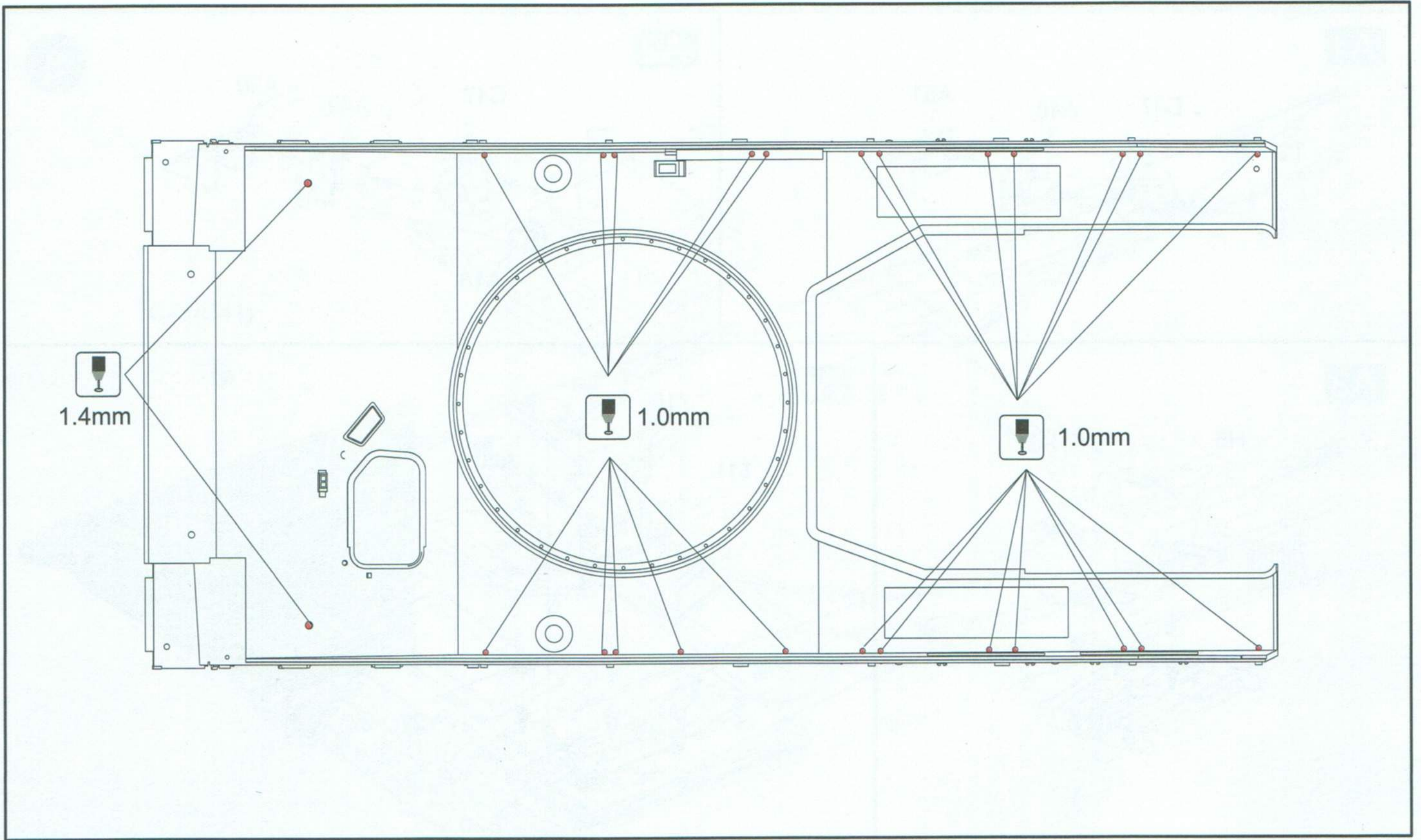
4



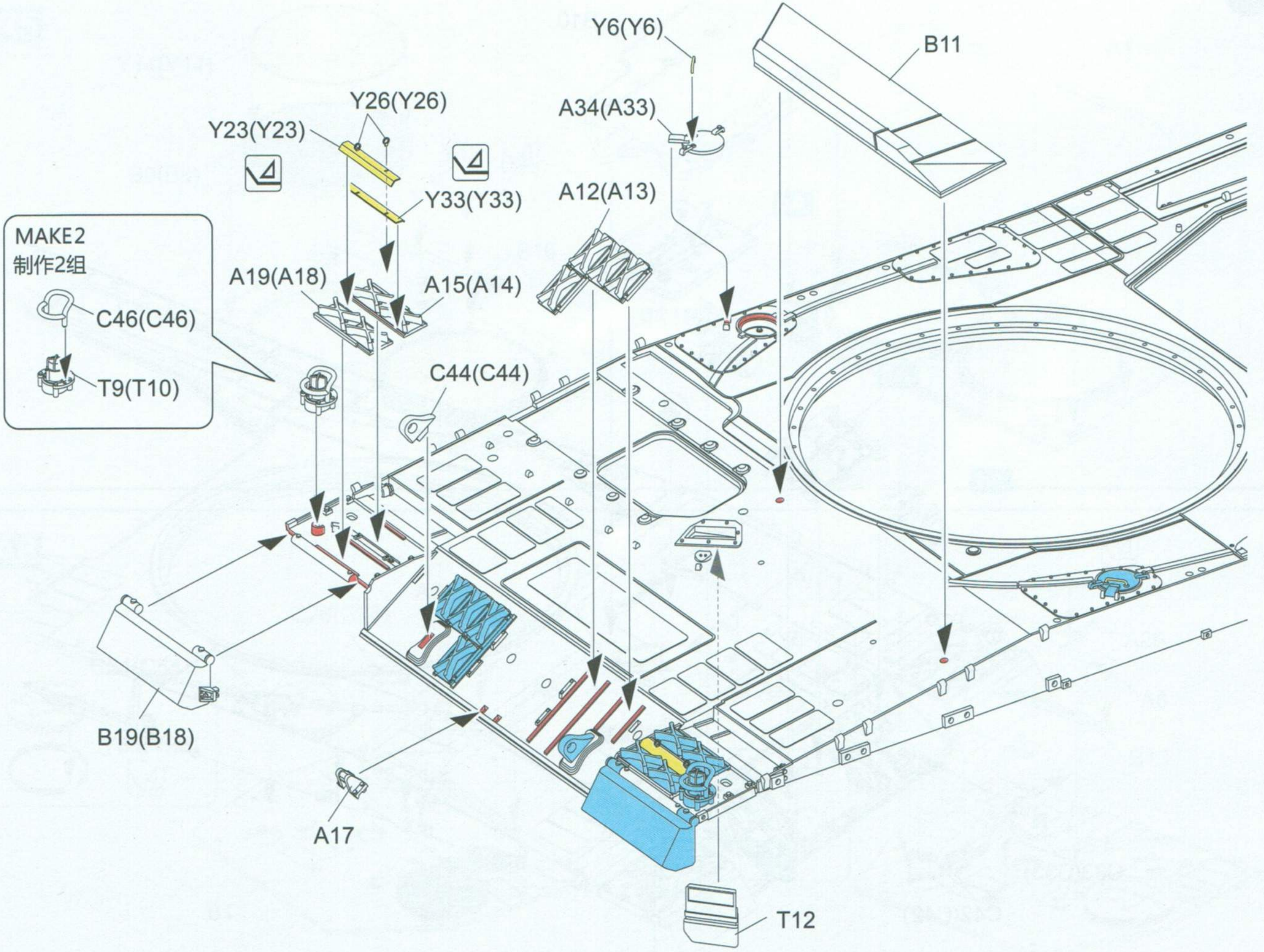
5





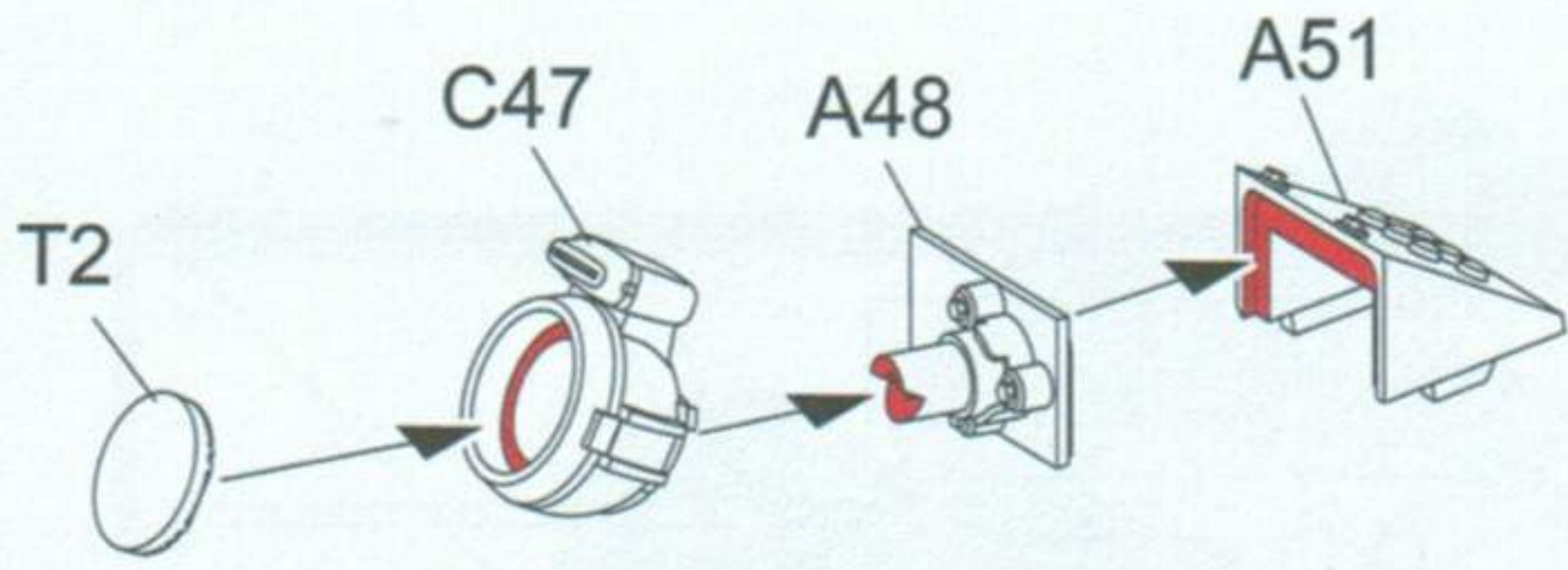


6

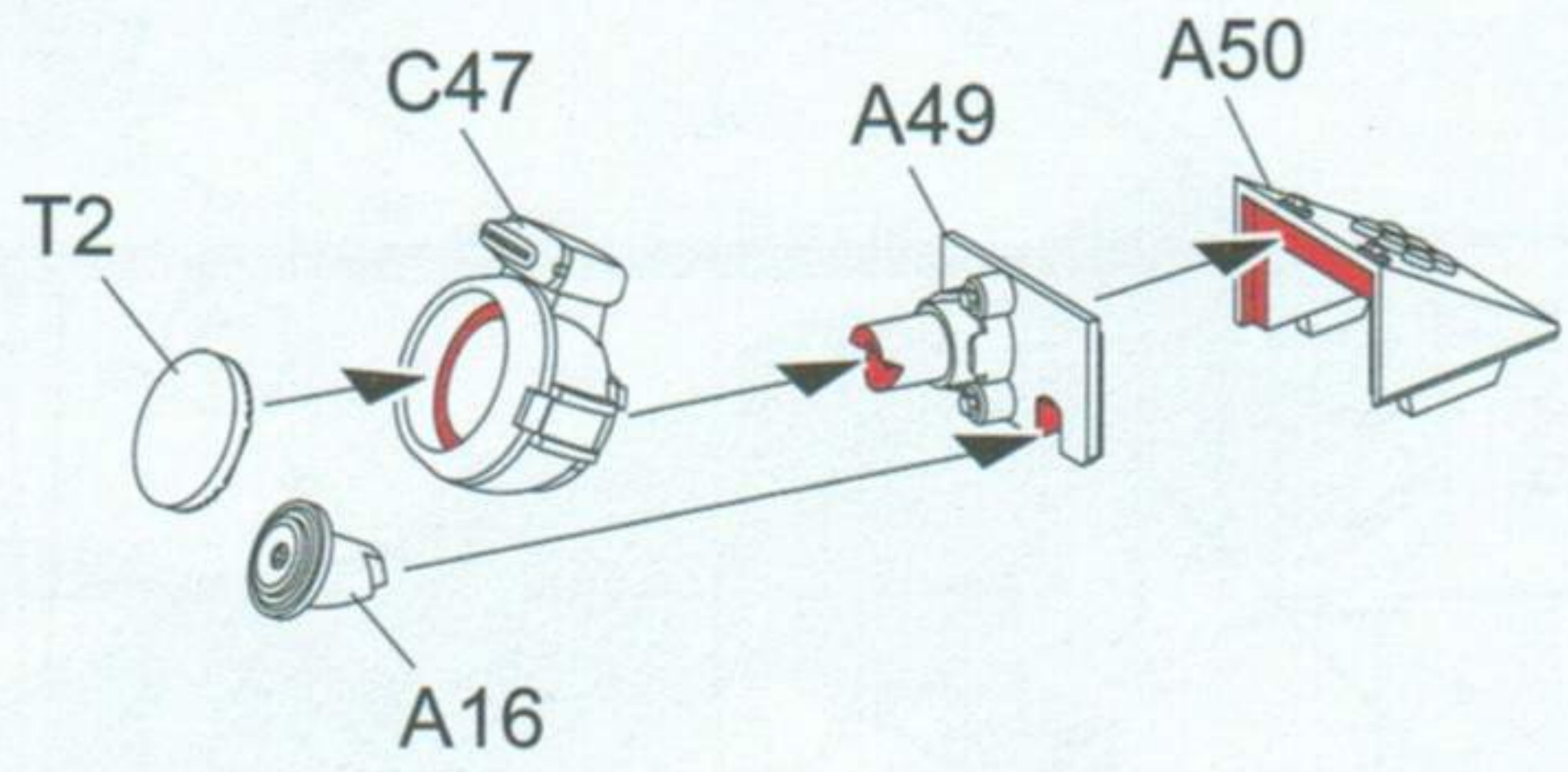




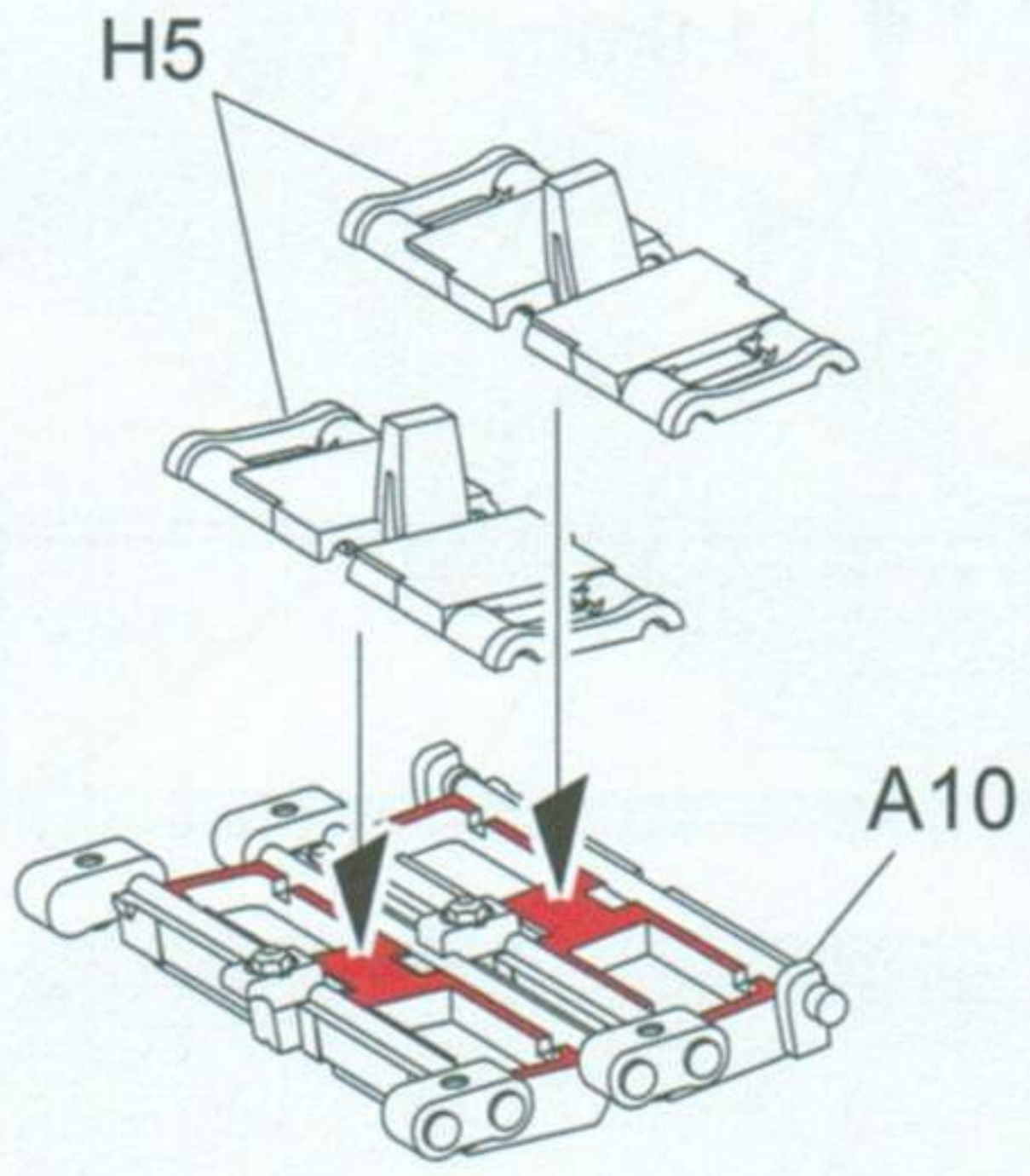
A1



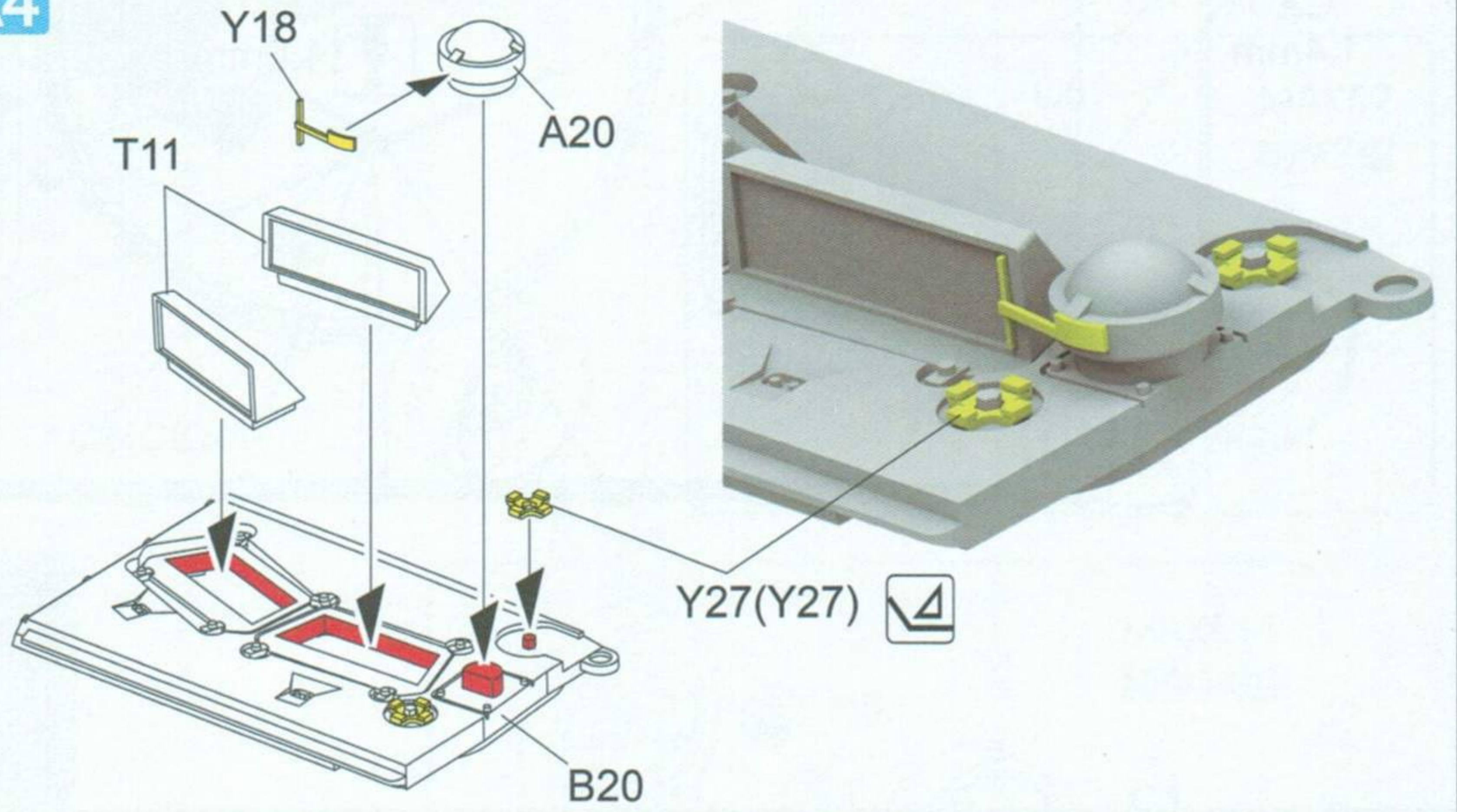
A2



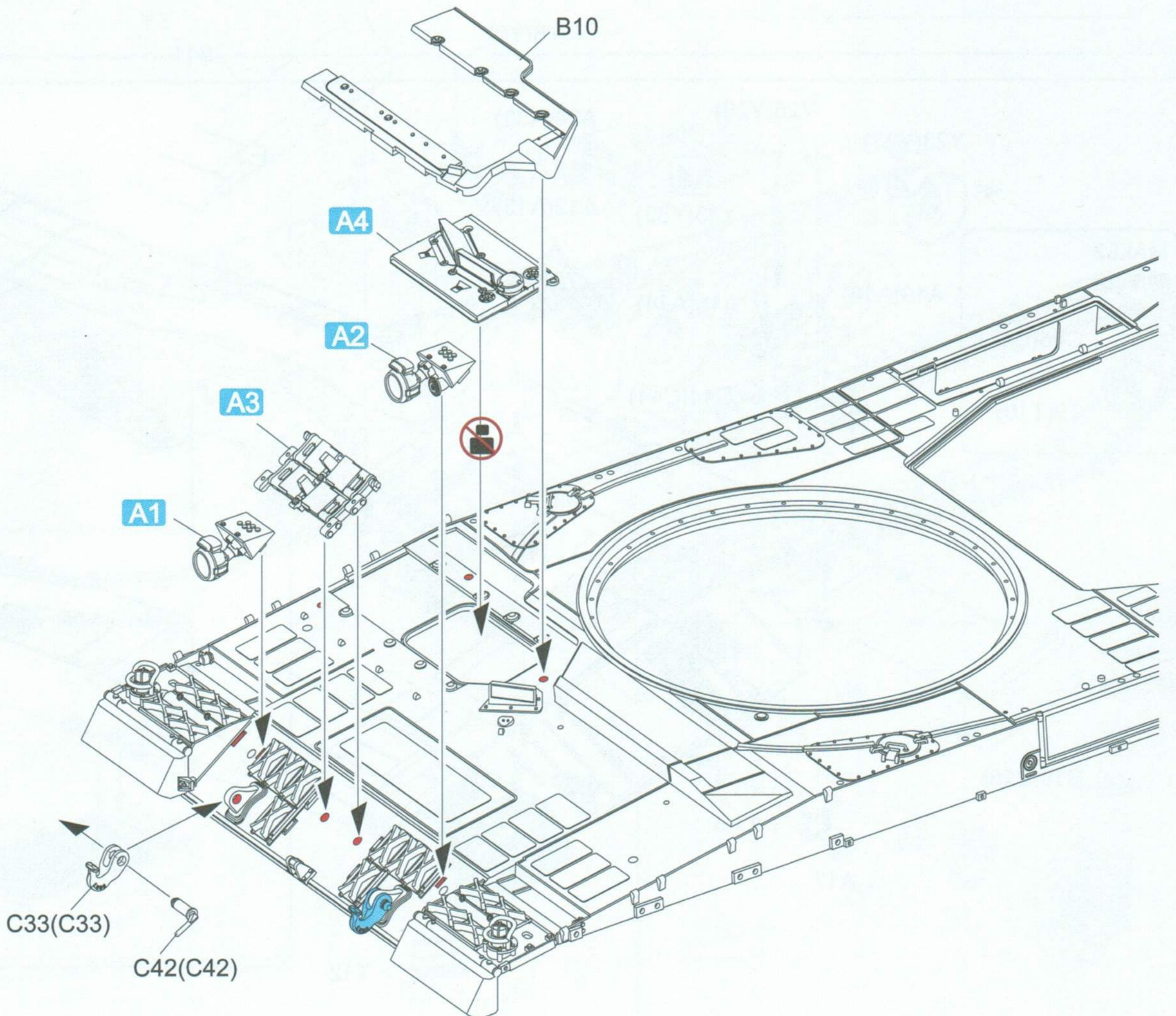
A3



A4

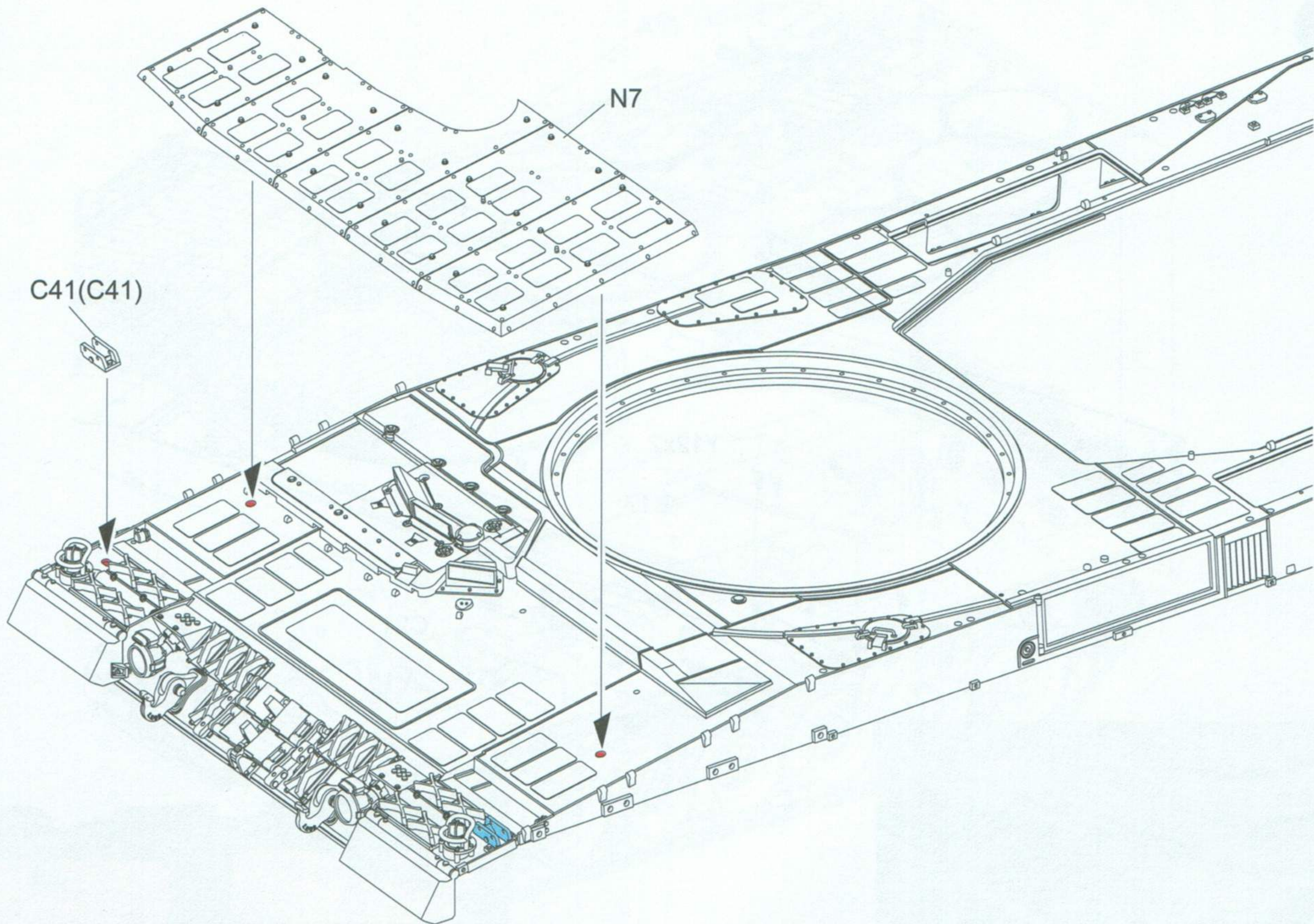


7

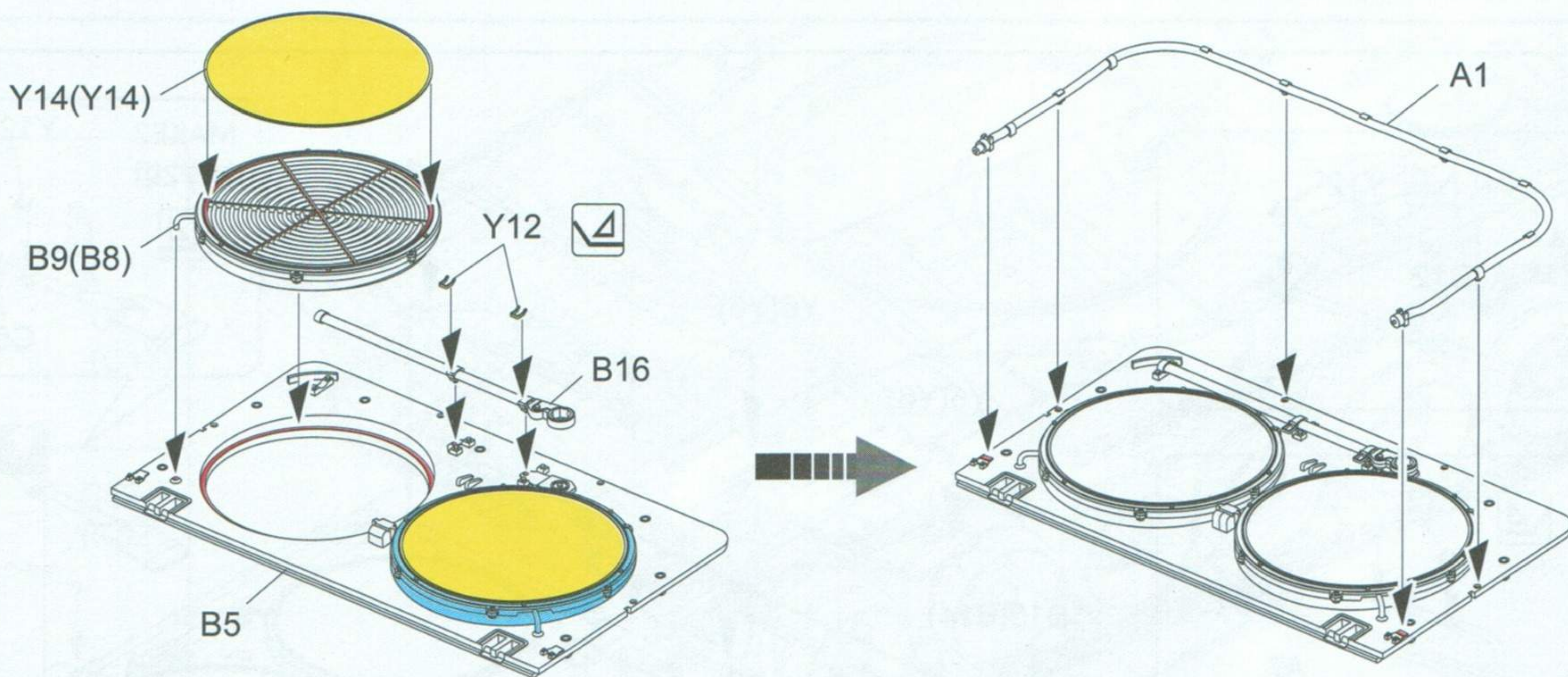




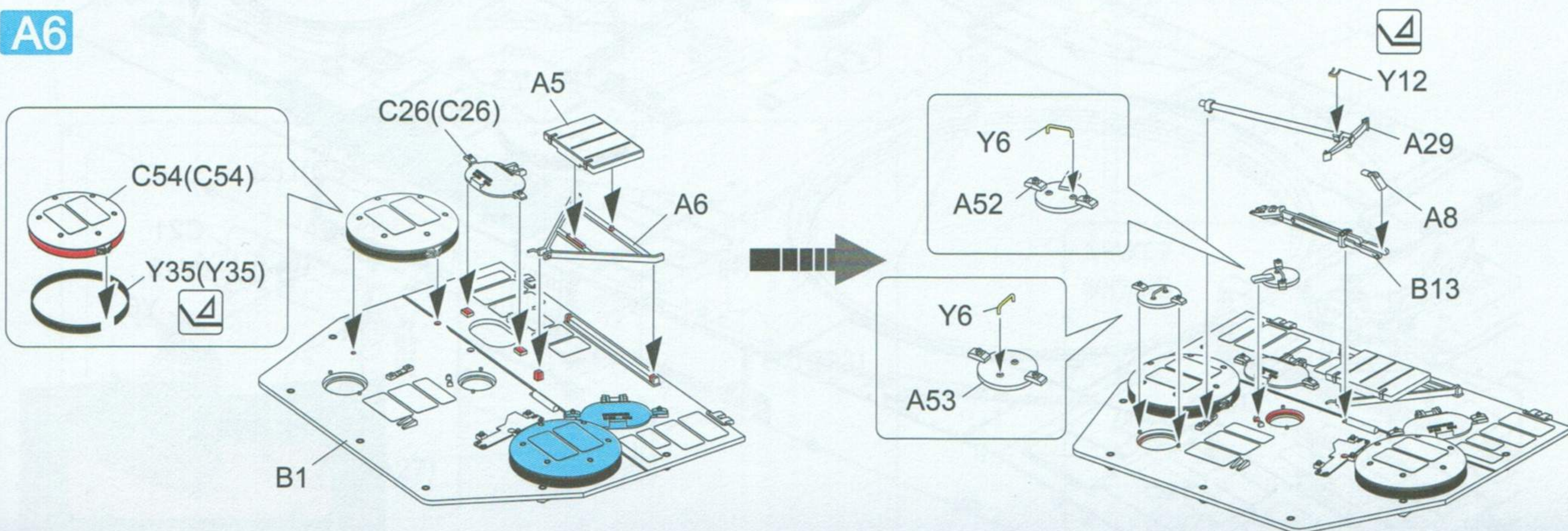
8



A5



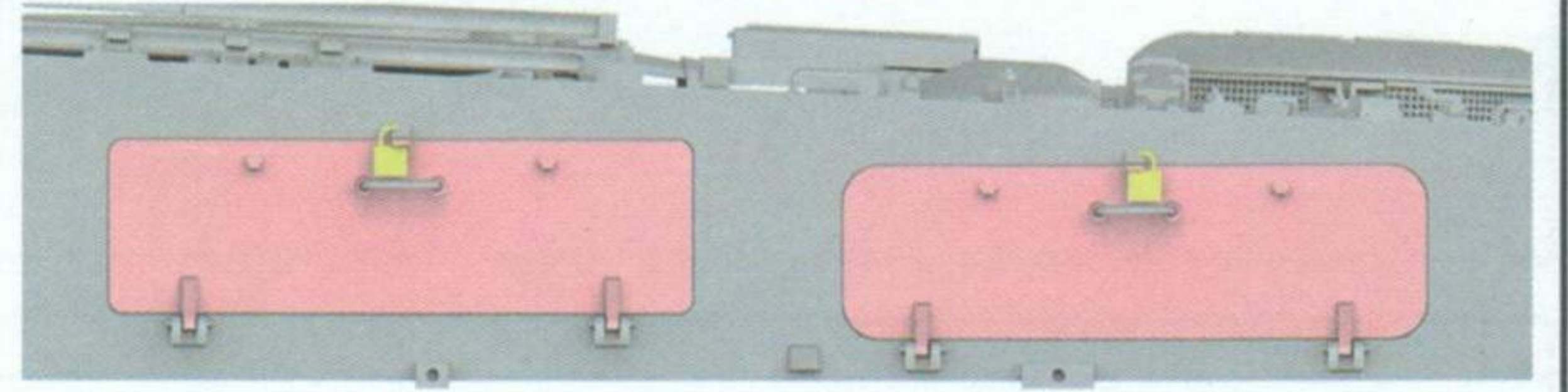
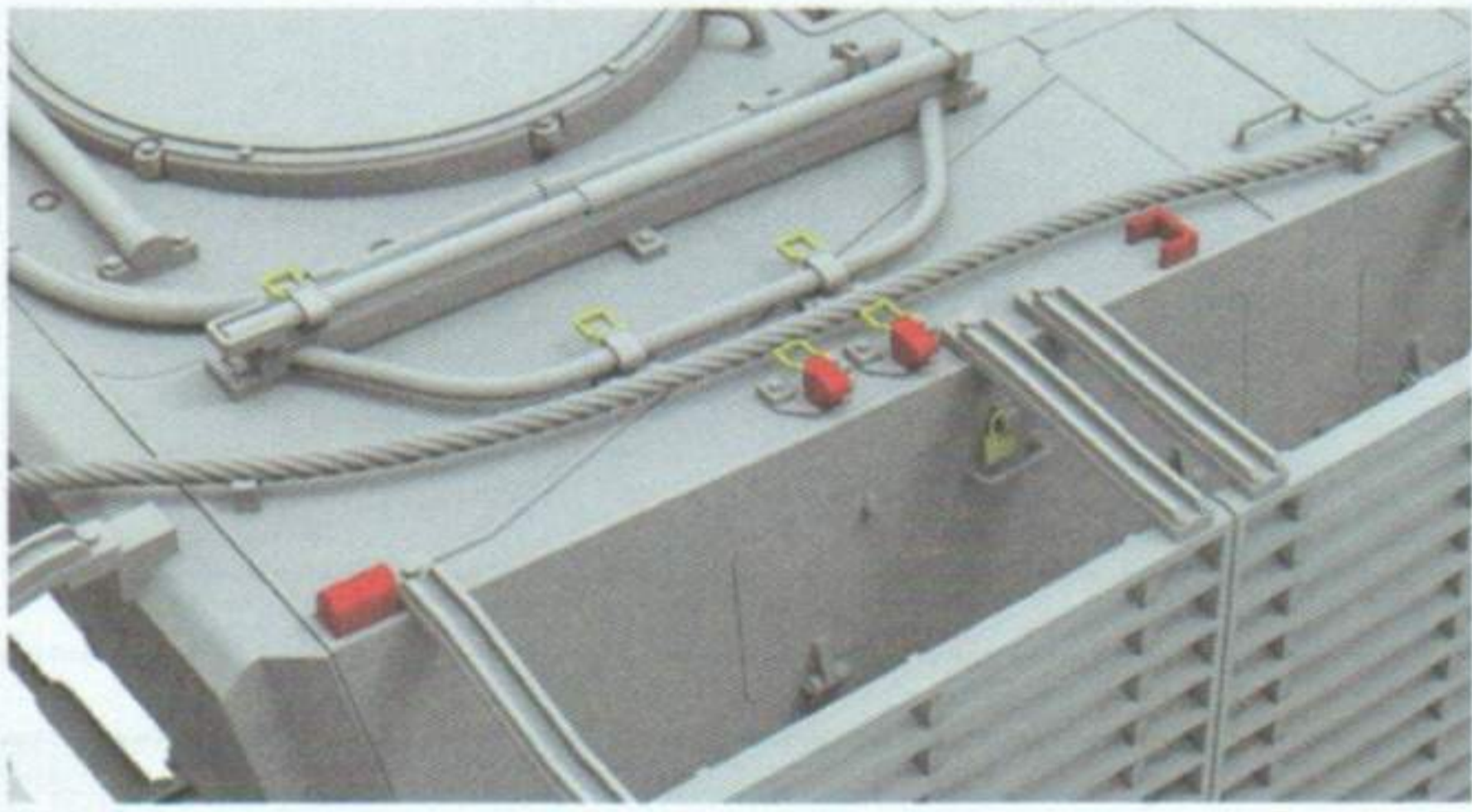
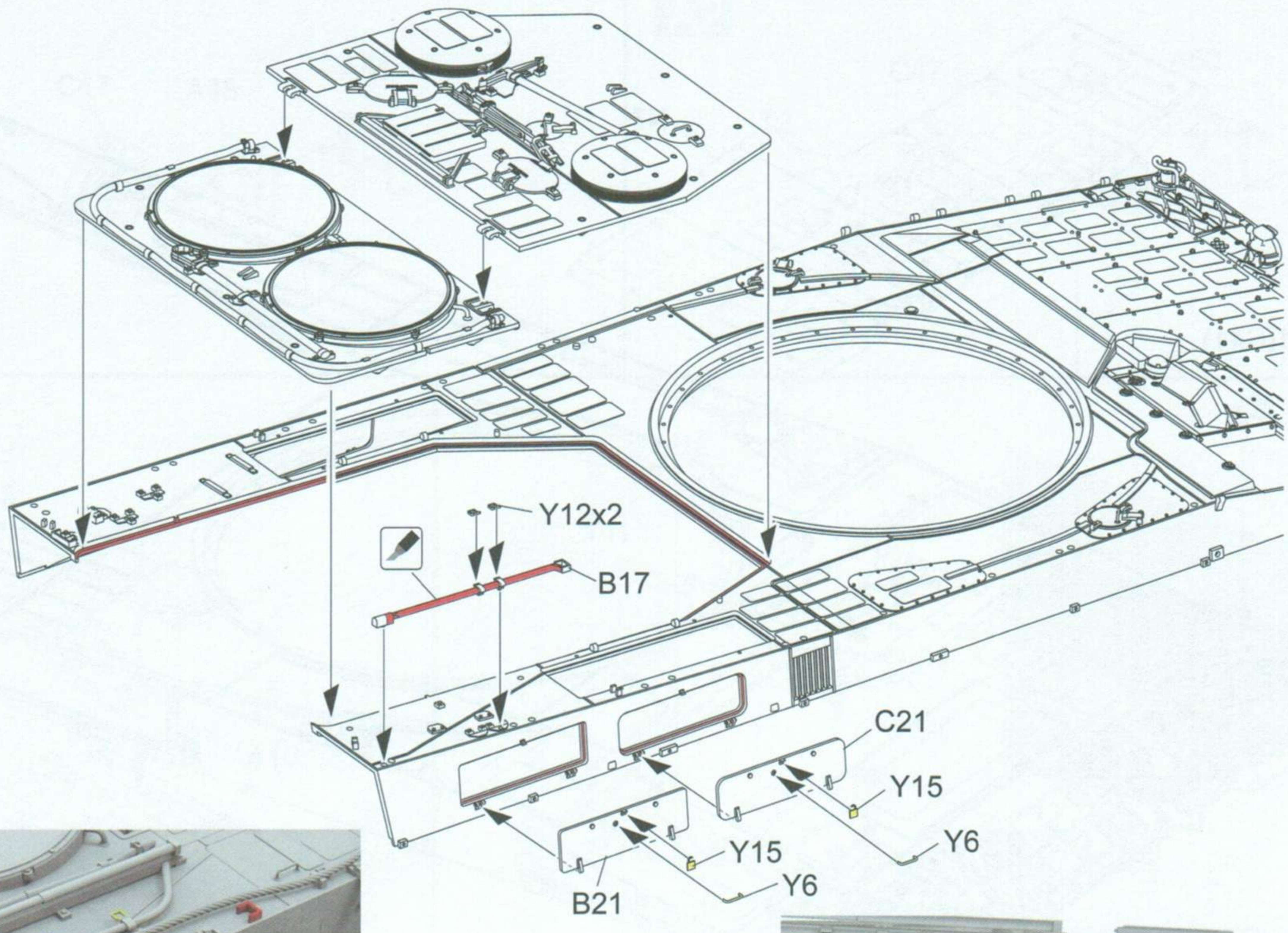
A6



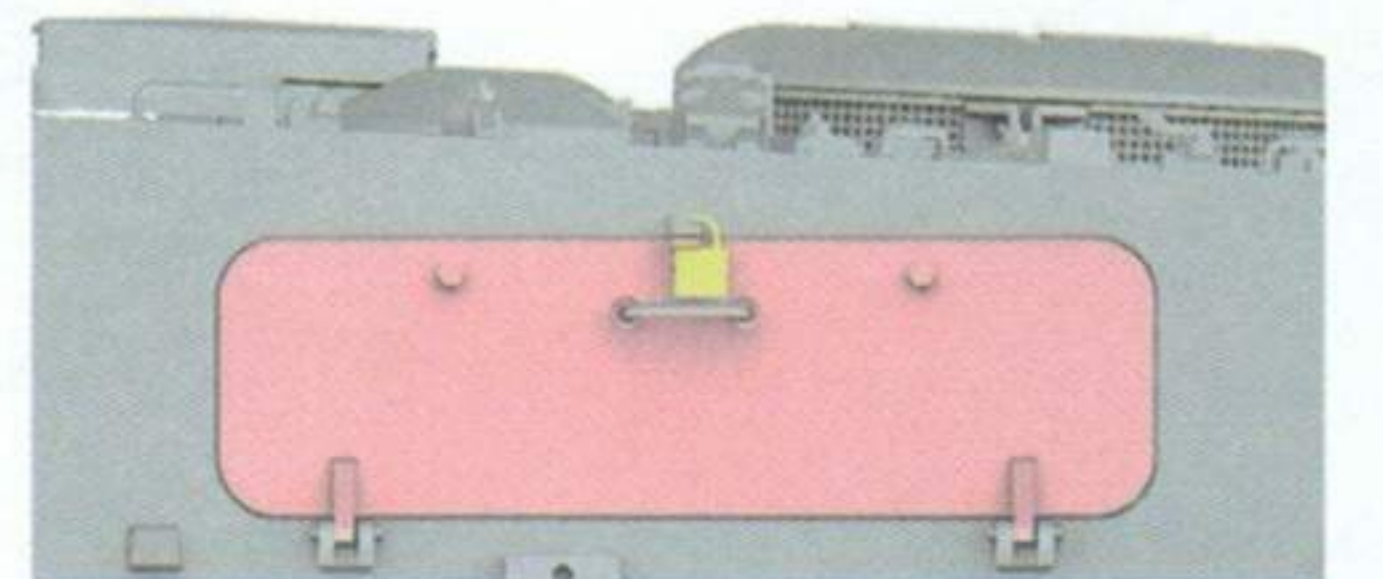
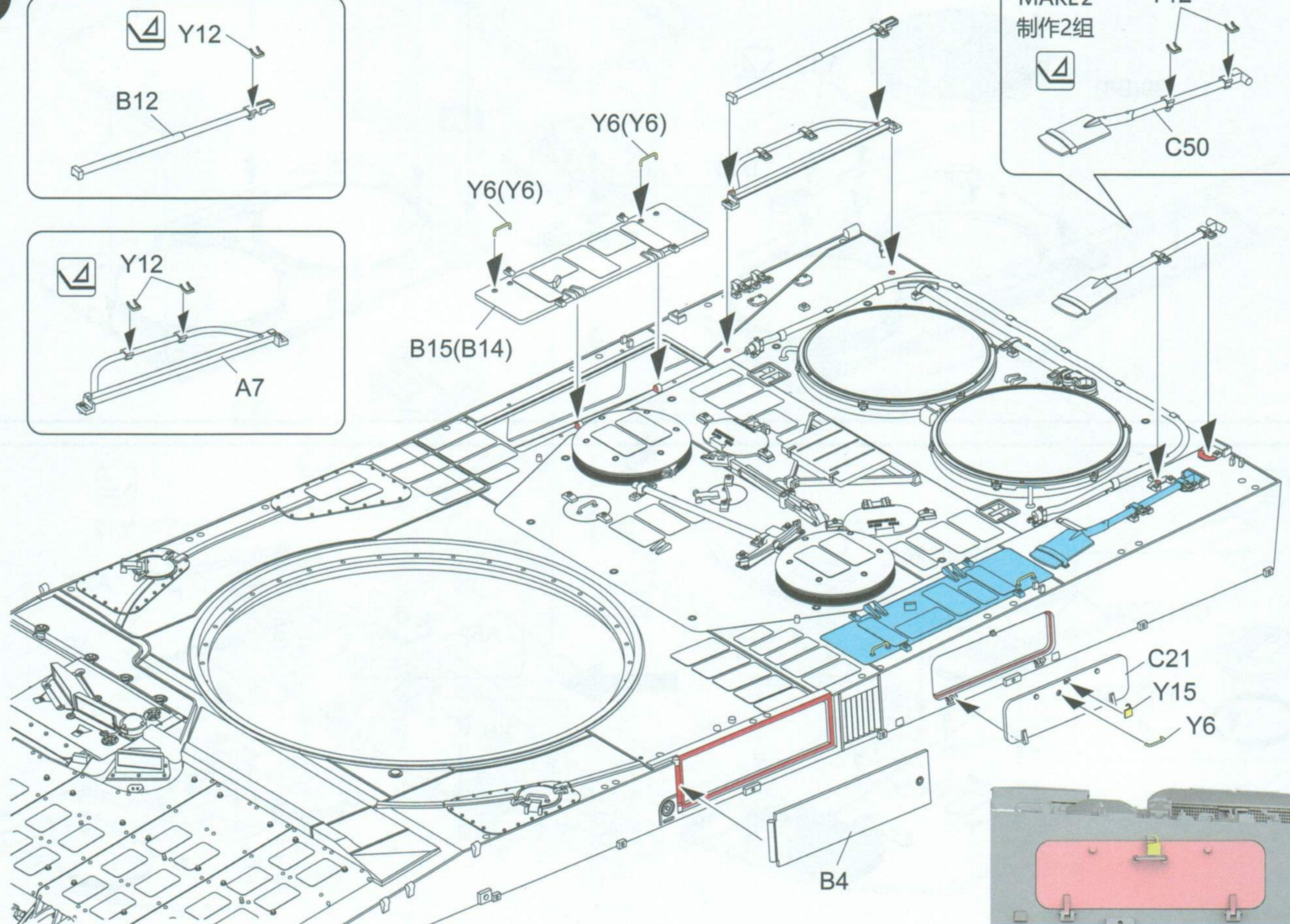
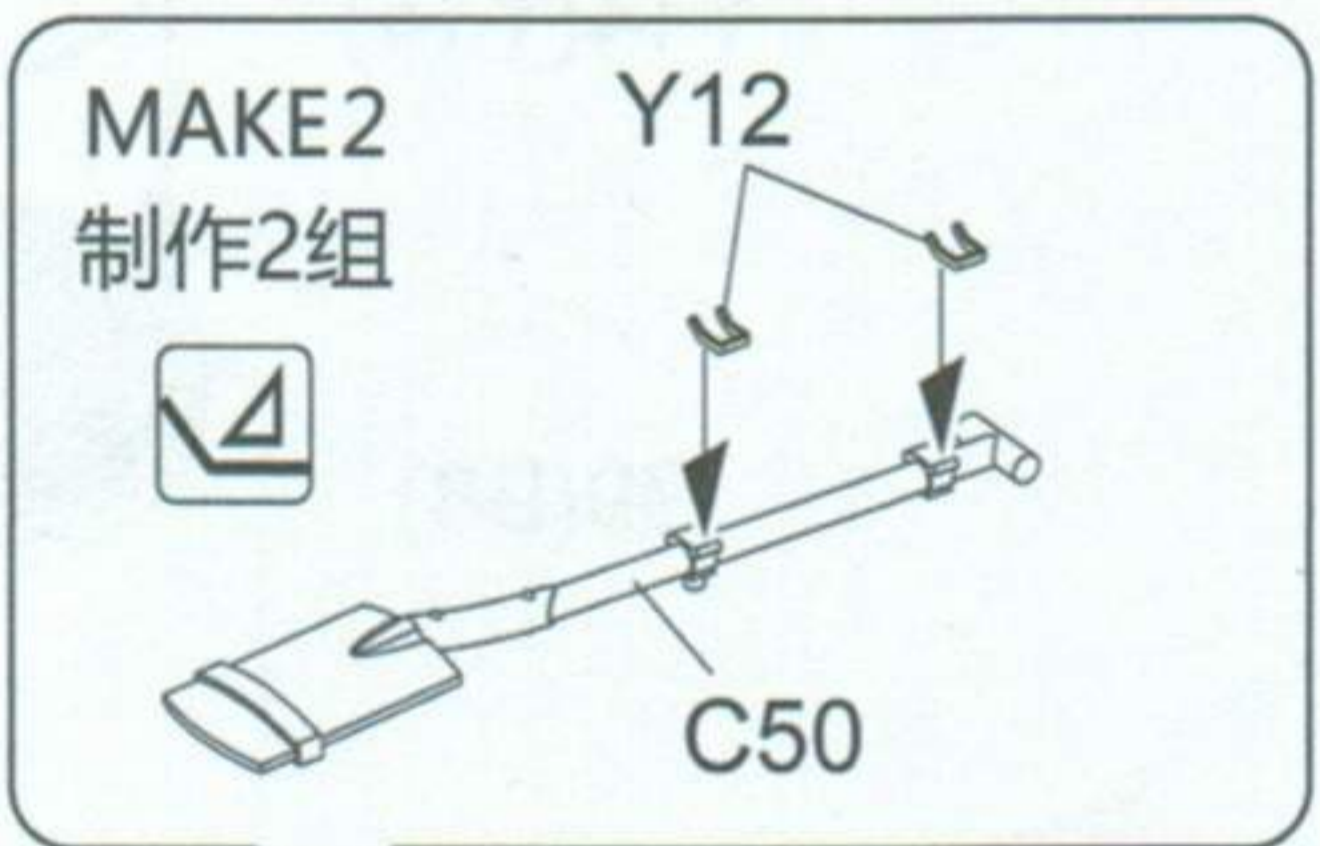
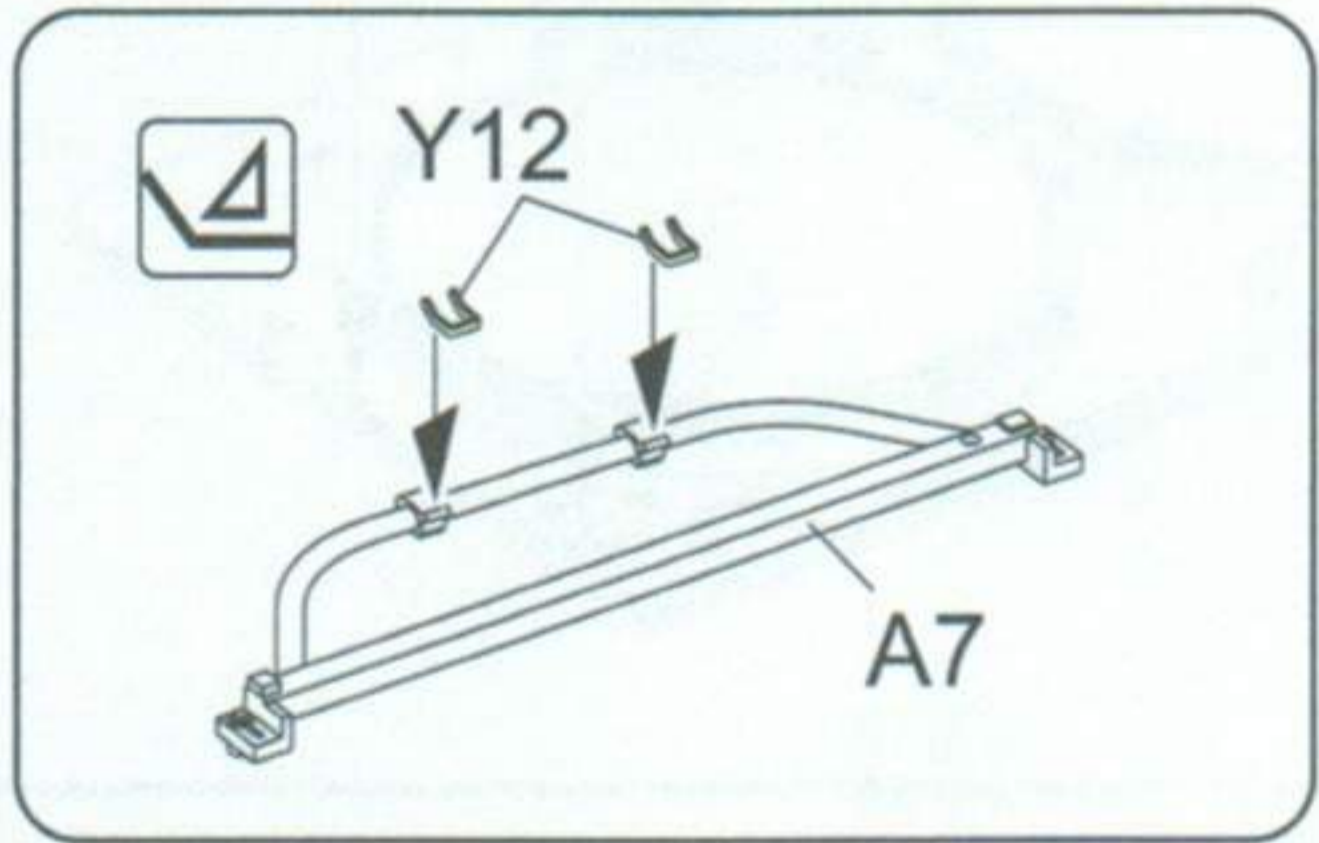
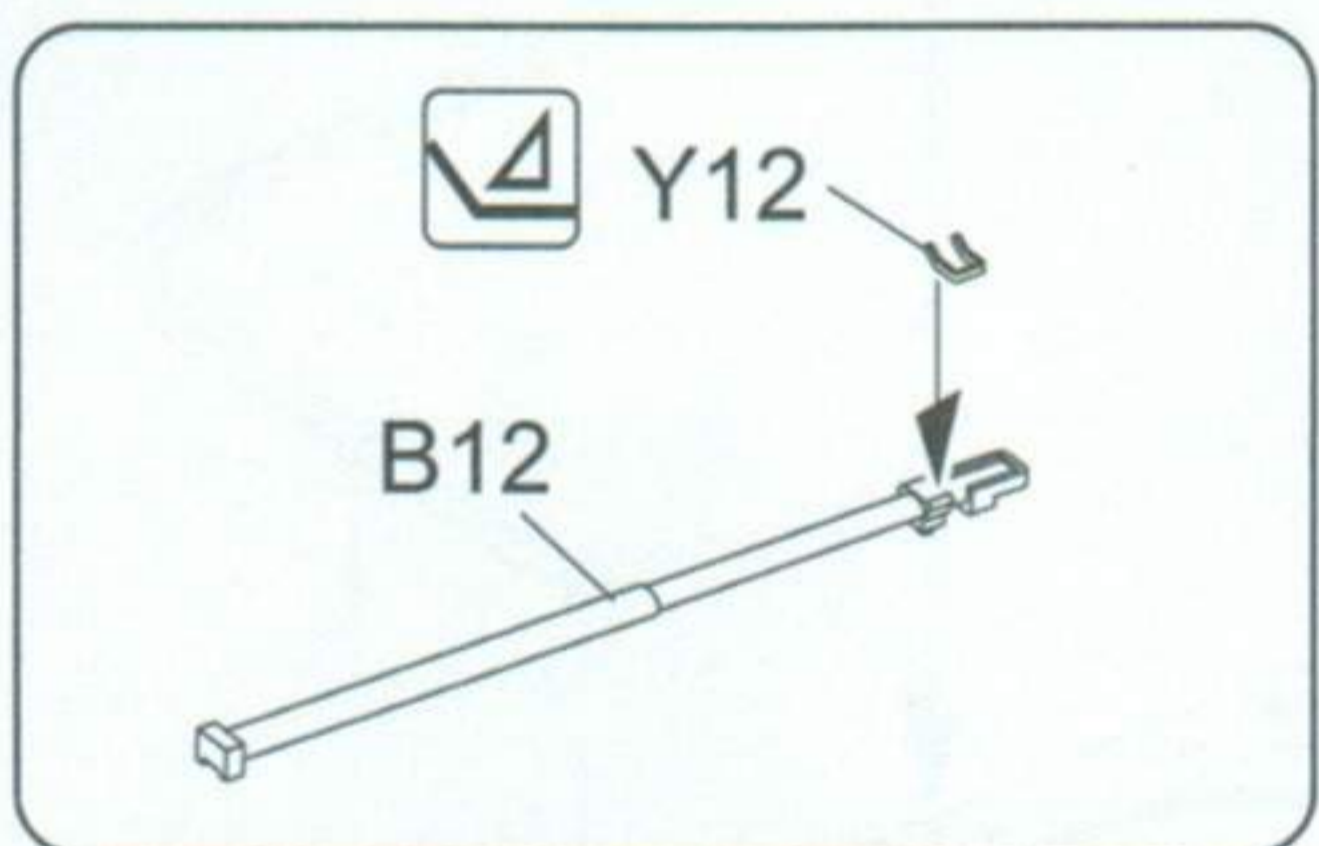
DATTO



9

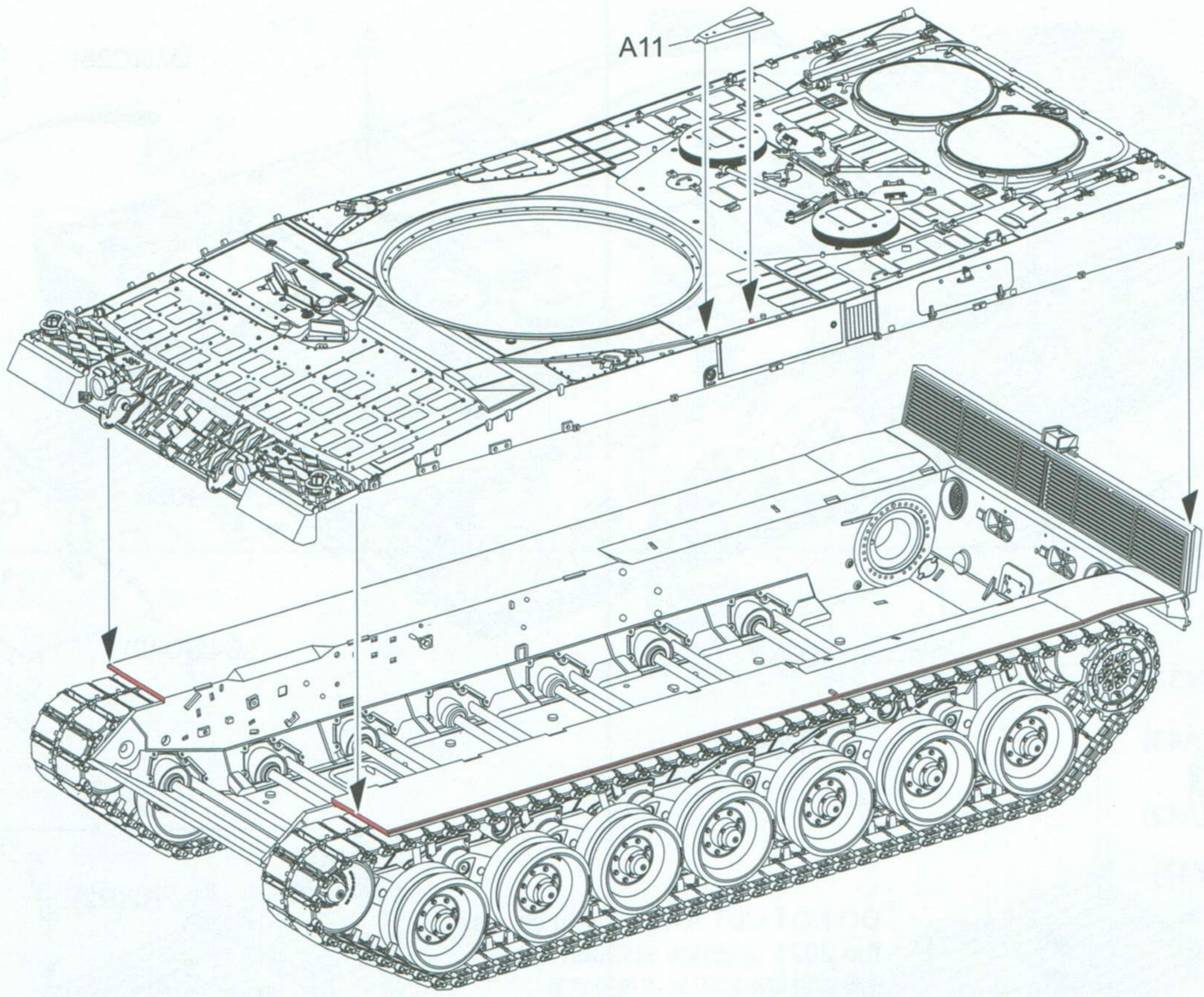


10





11



12

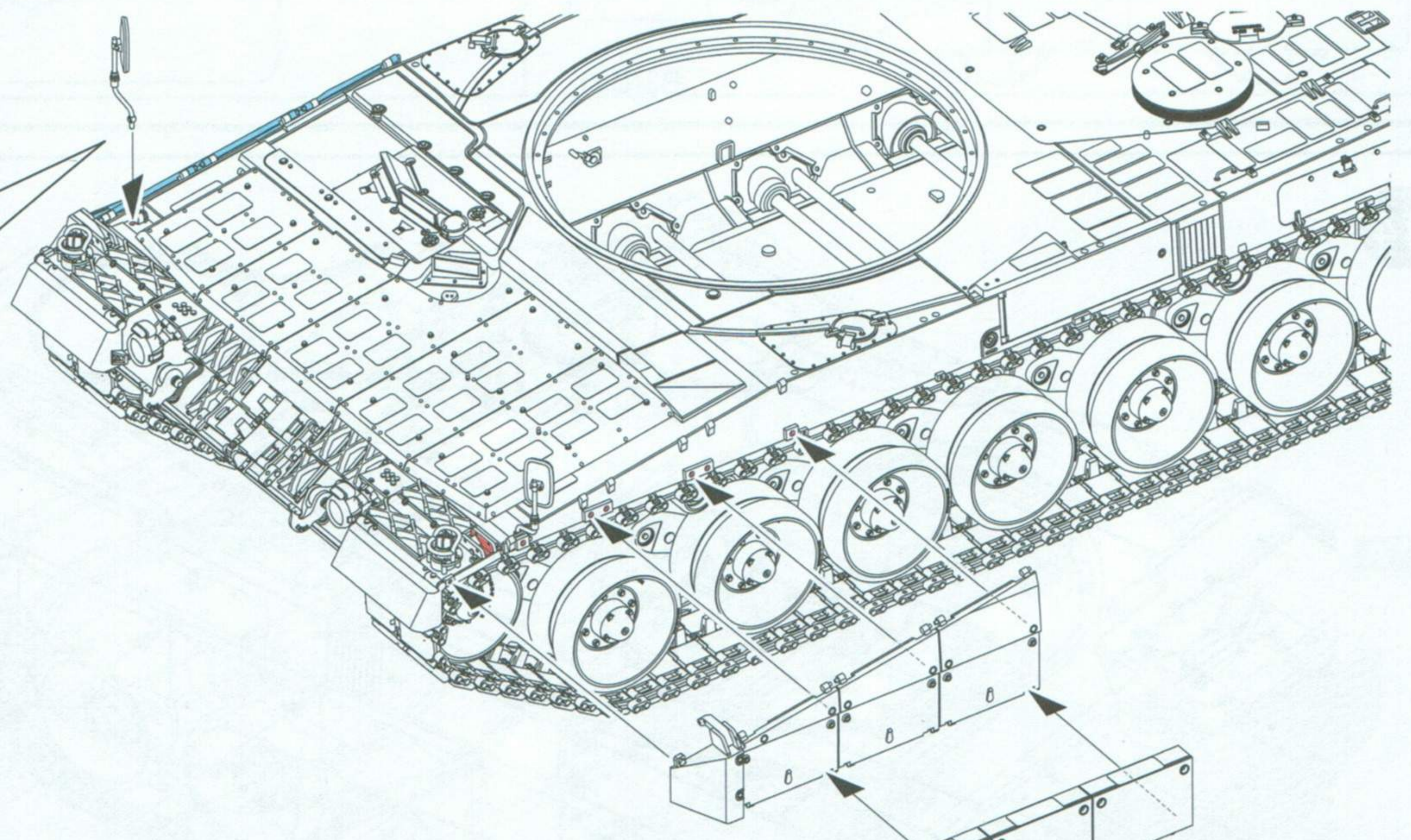
MAKE2  
制作2组

A44 (A43)      C17 (C17)

MAKE2  
制作2组

C52 (C52)

C17 (C17)



C51(C51)

A24(A25)

A26(A27)

MAKE2  
制作2组

B7(B23)

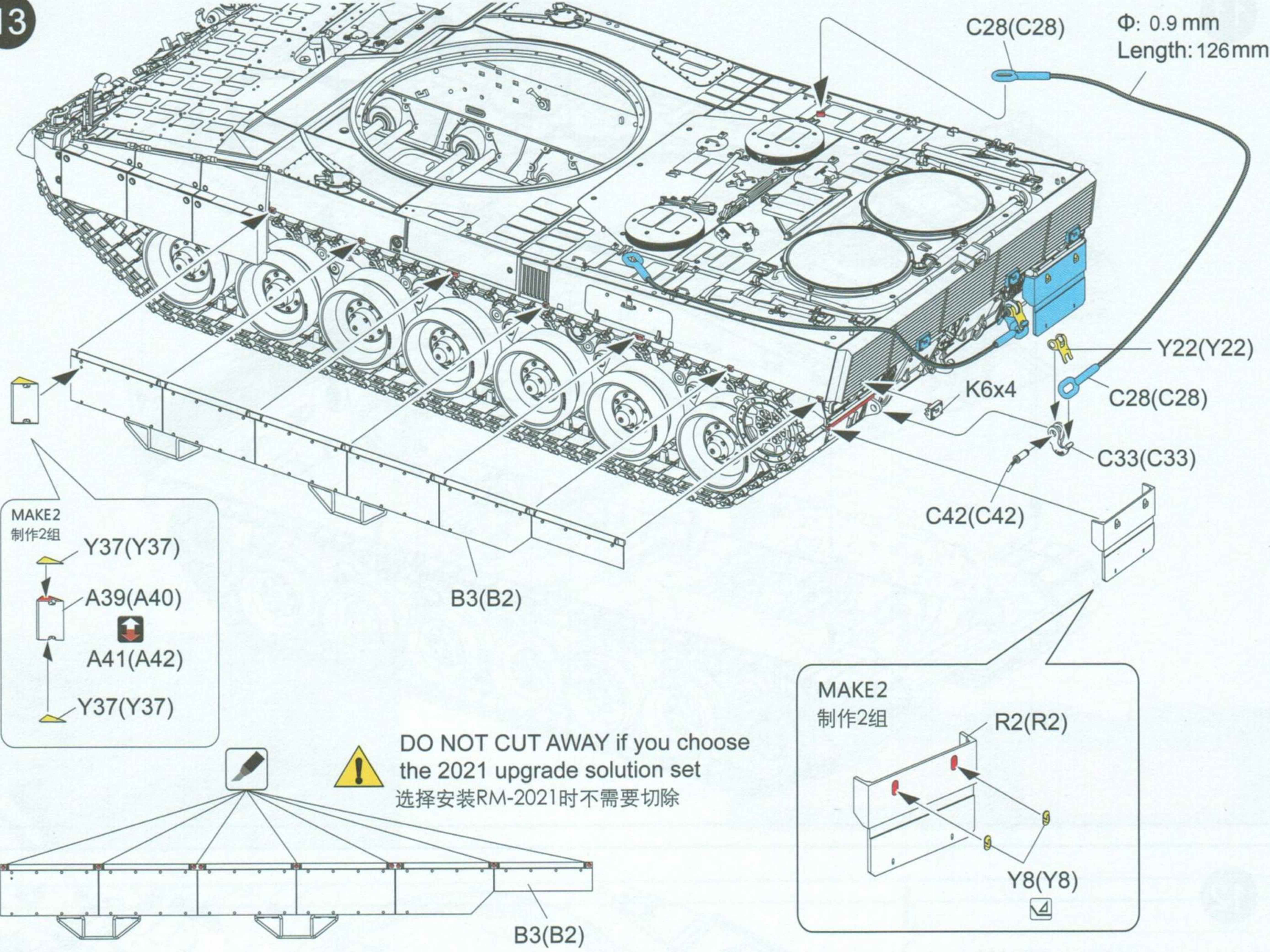
MAKE2  
制作2组

K27 (K27)

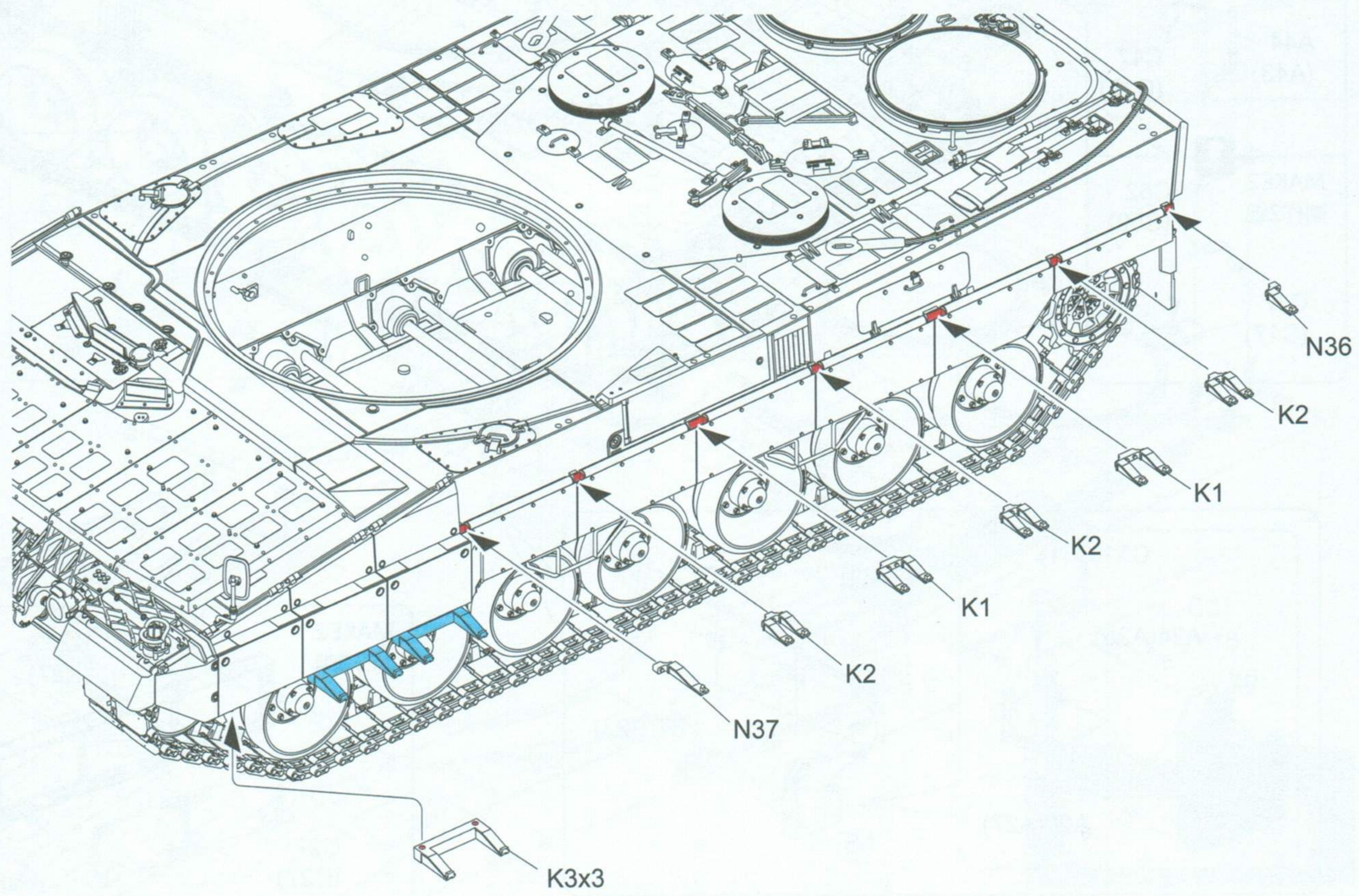
C27 (C27)



13

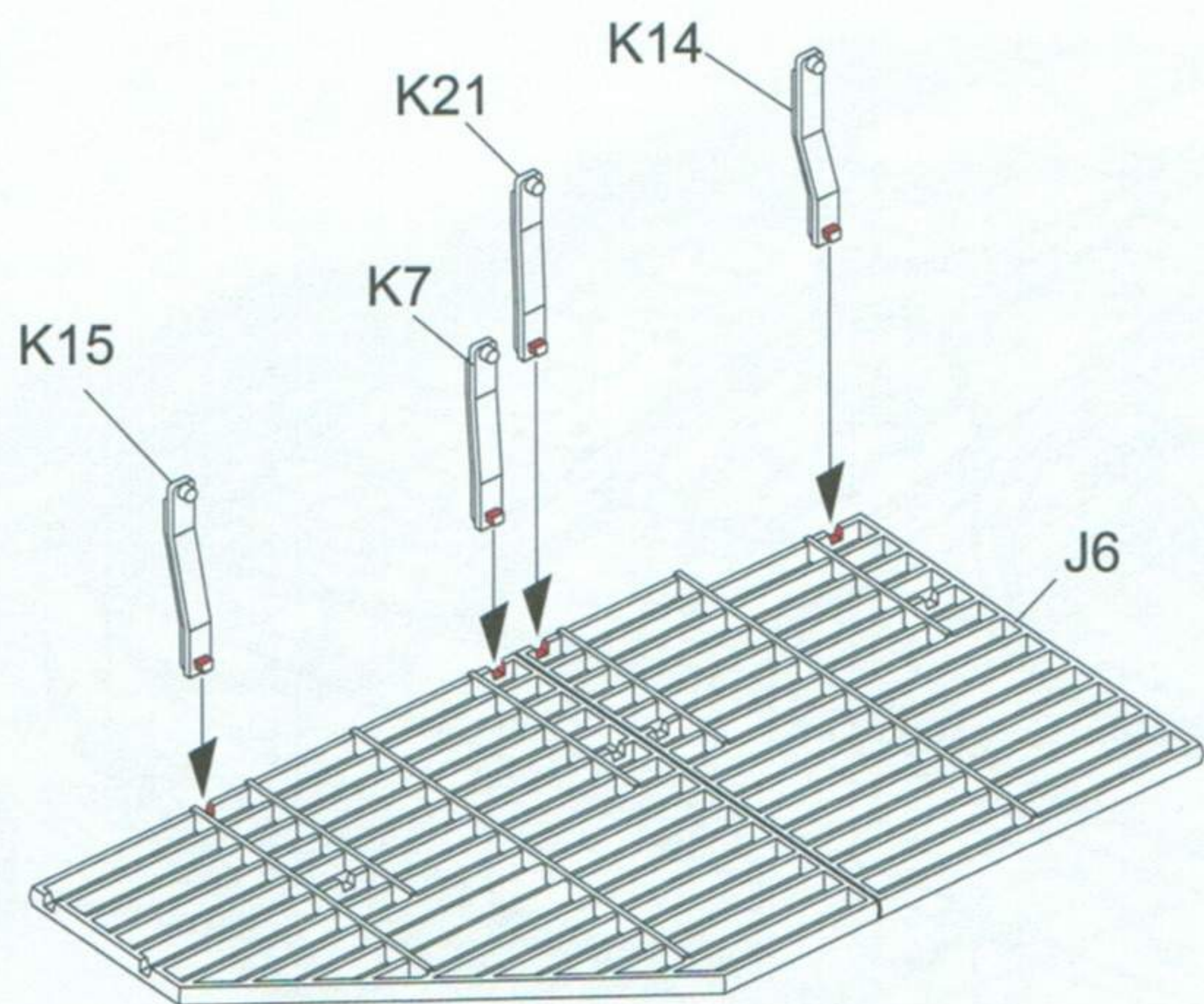


14

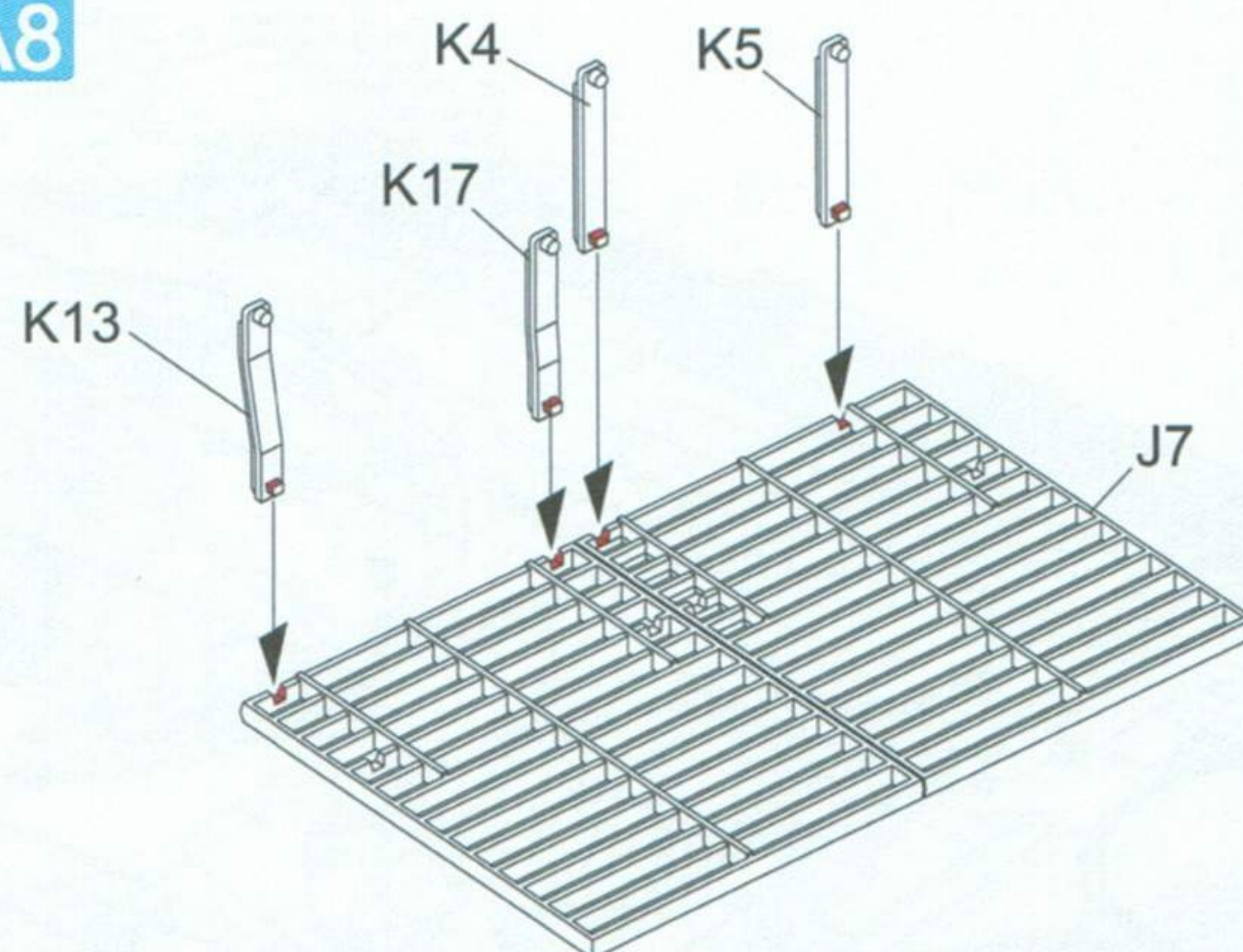




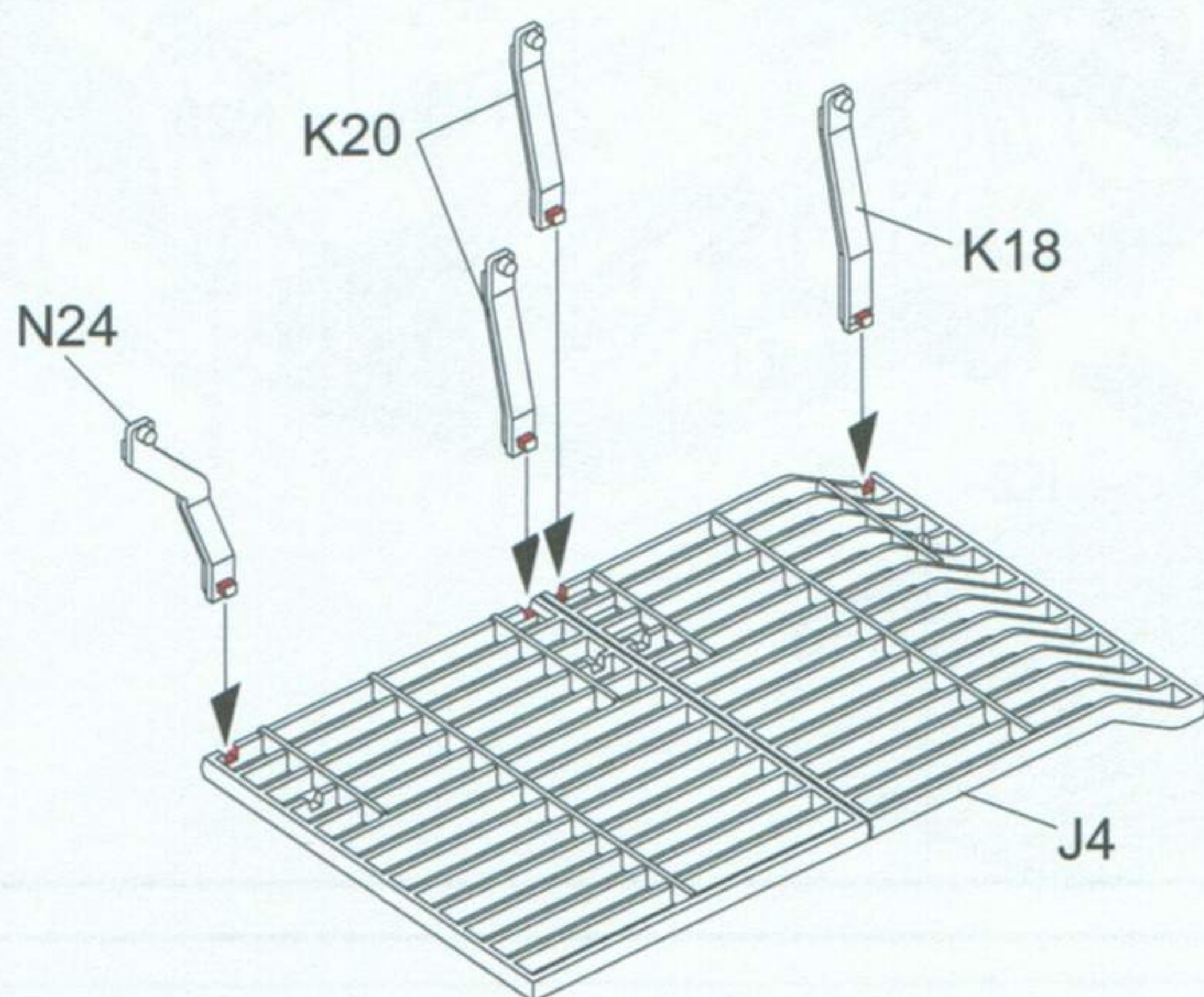
A7



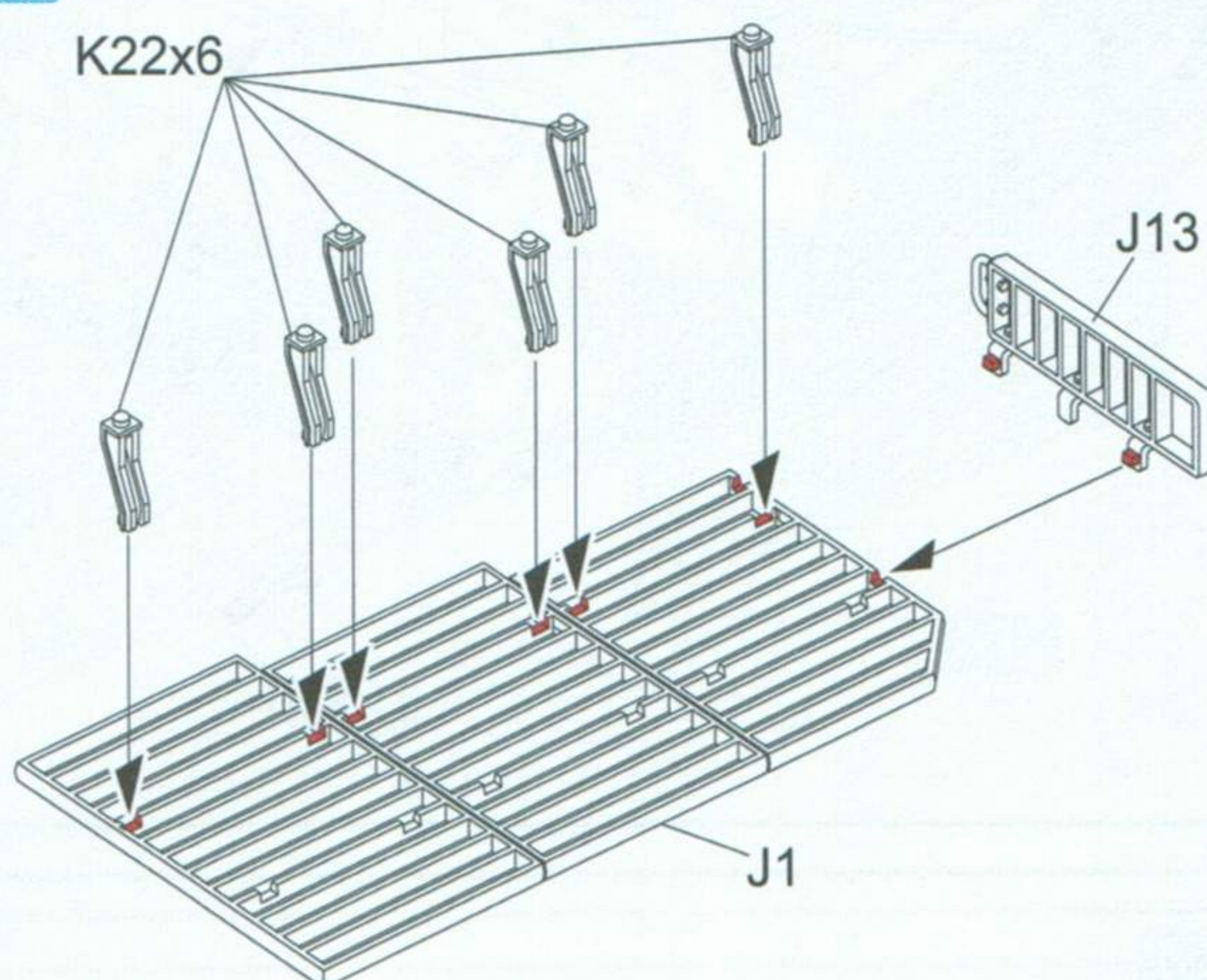
A8



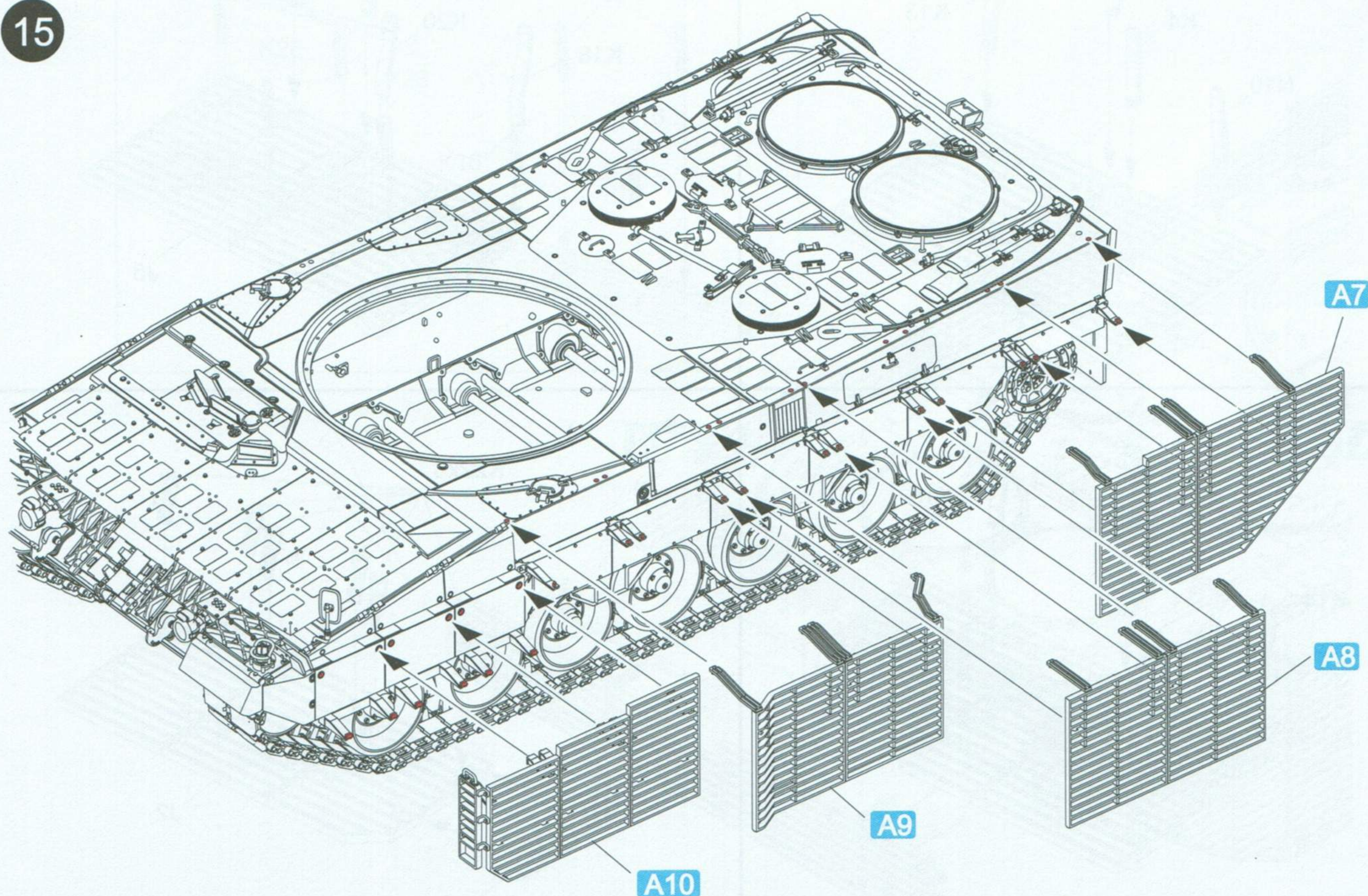
A9



A10

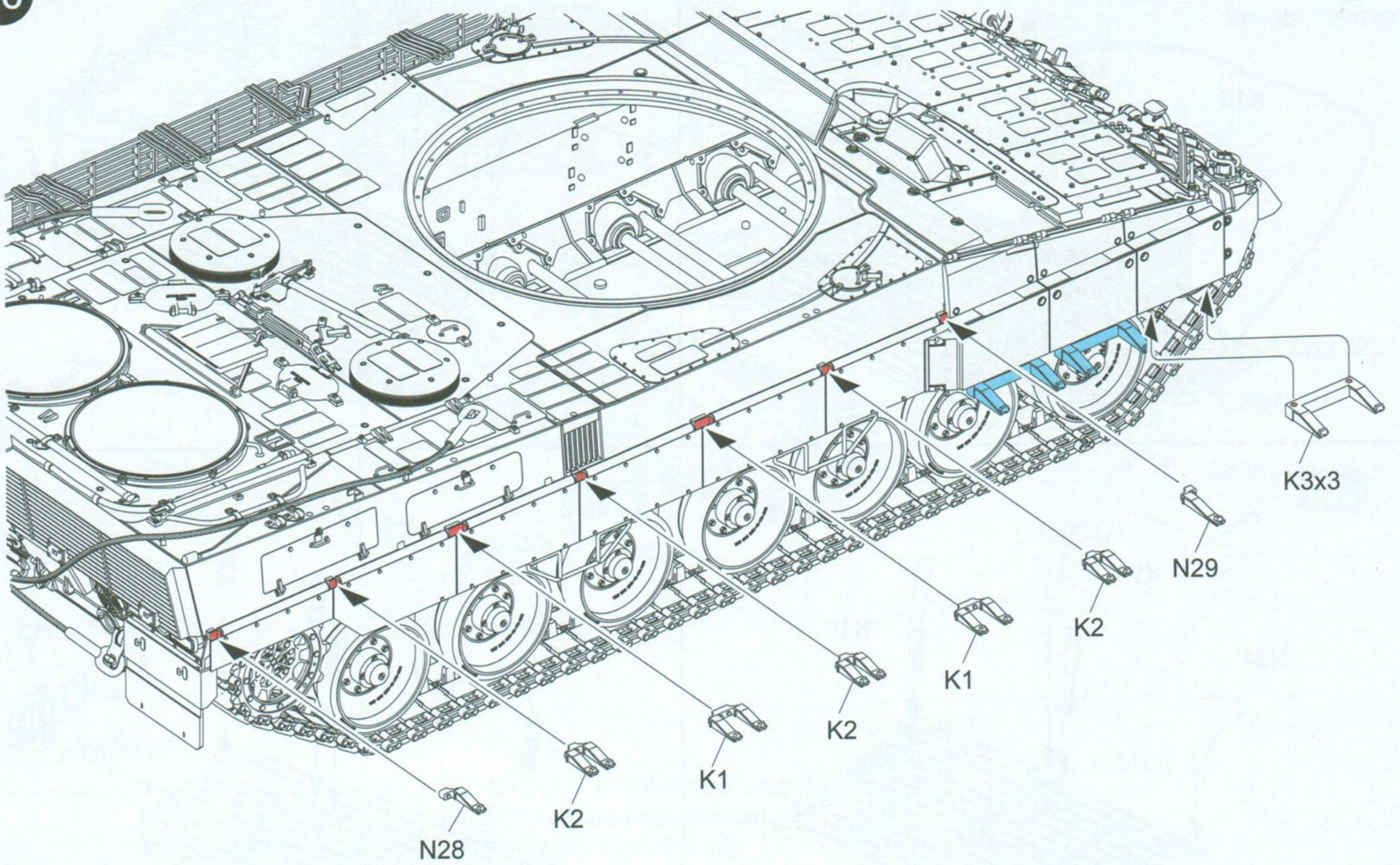


15

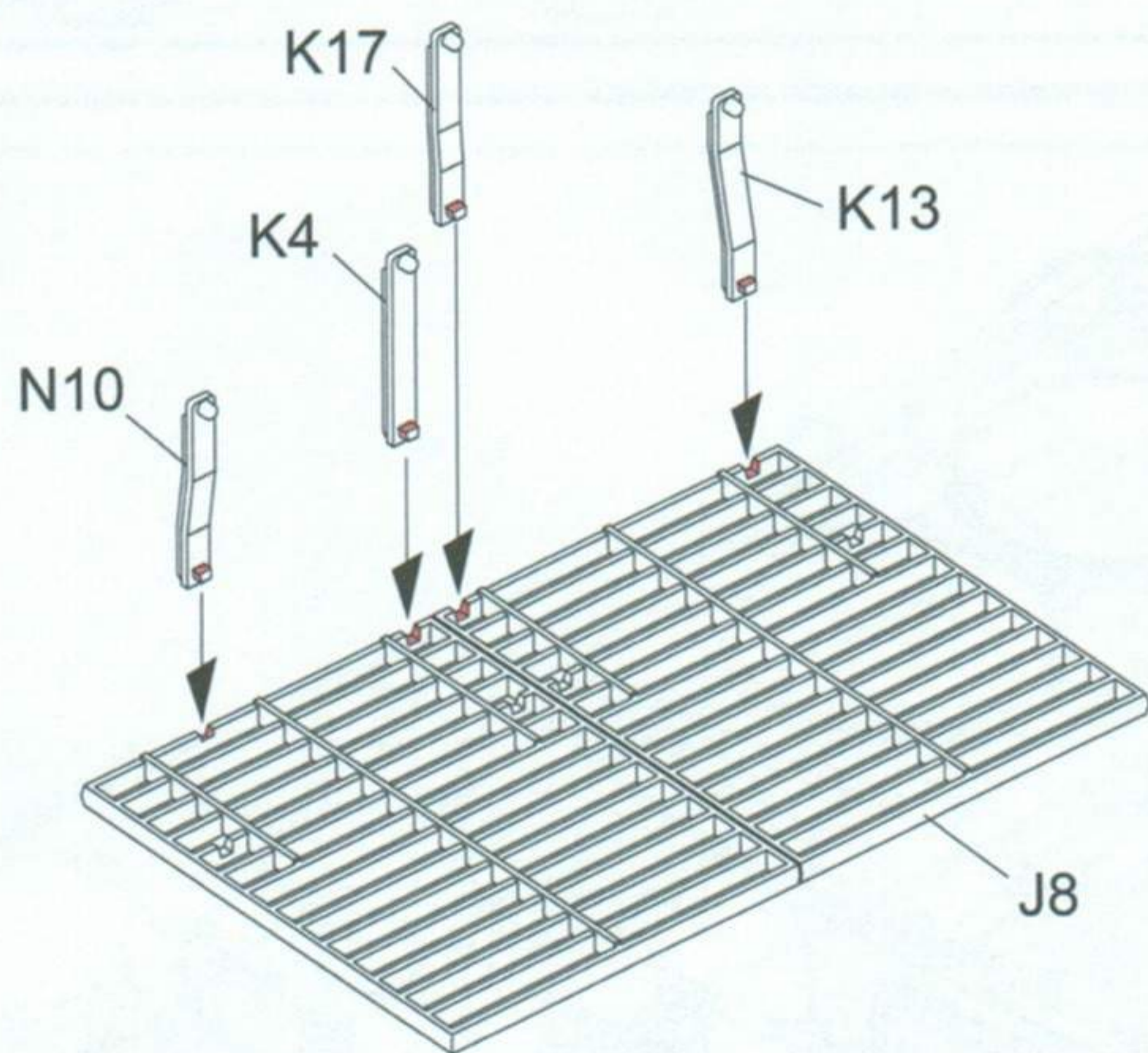




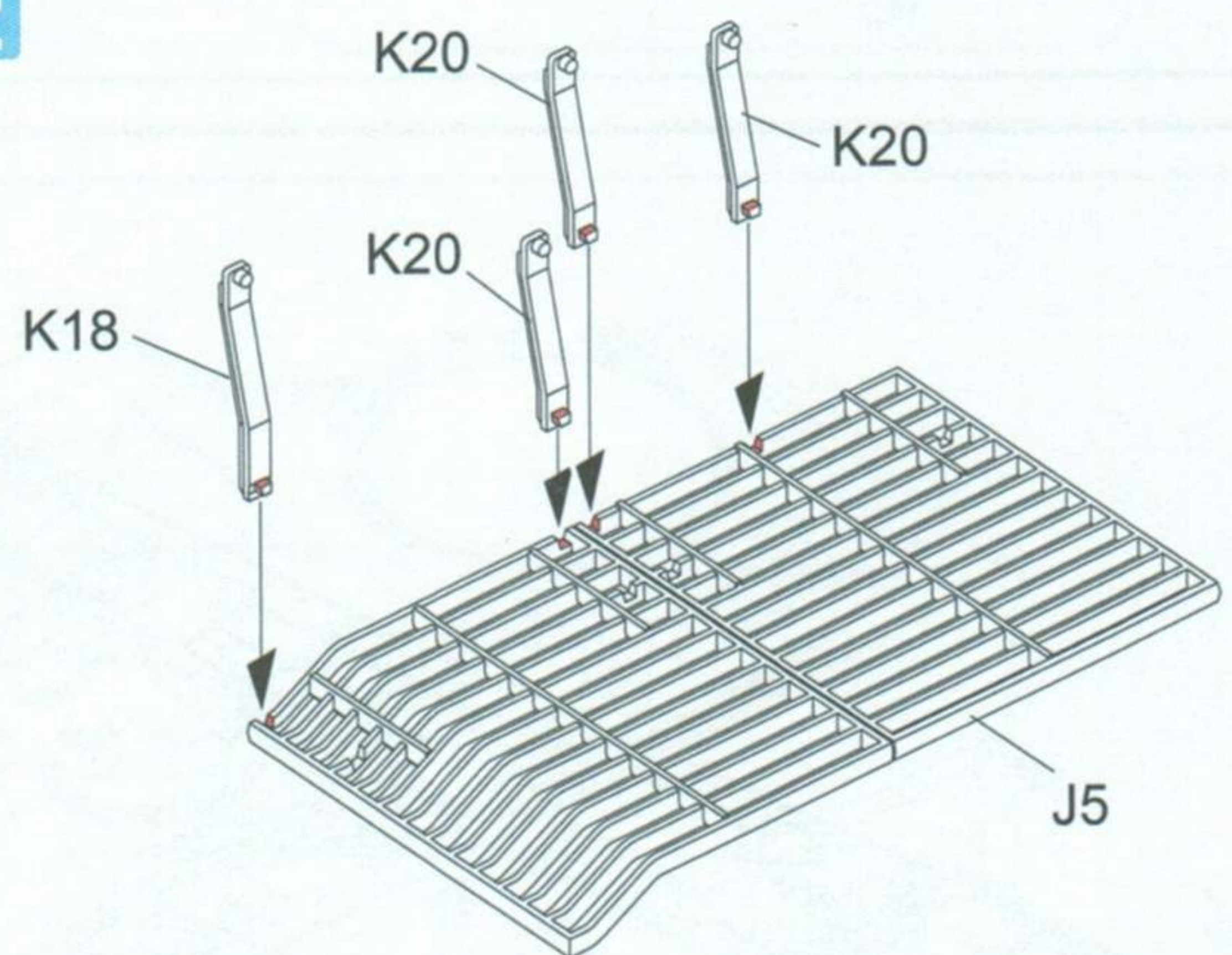
16



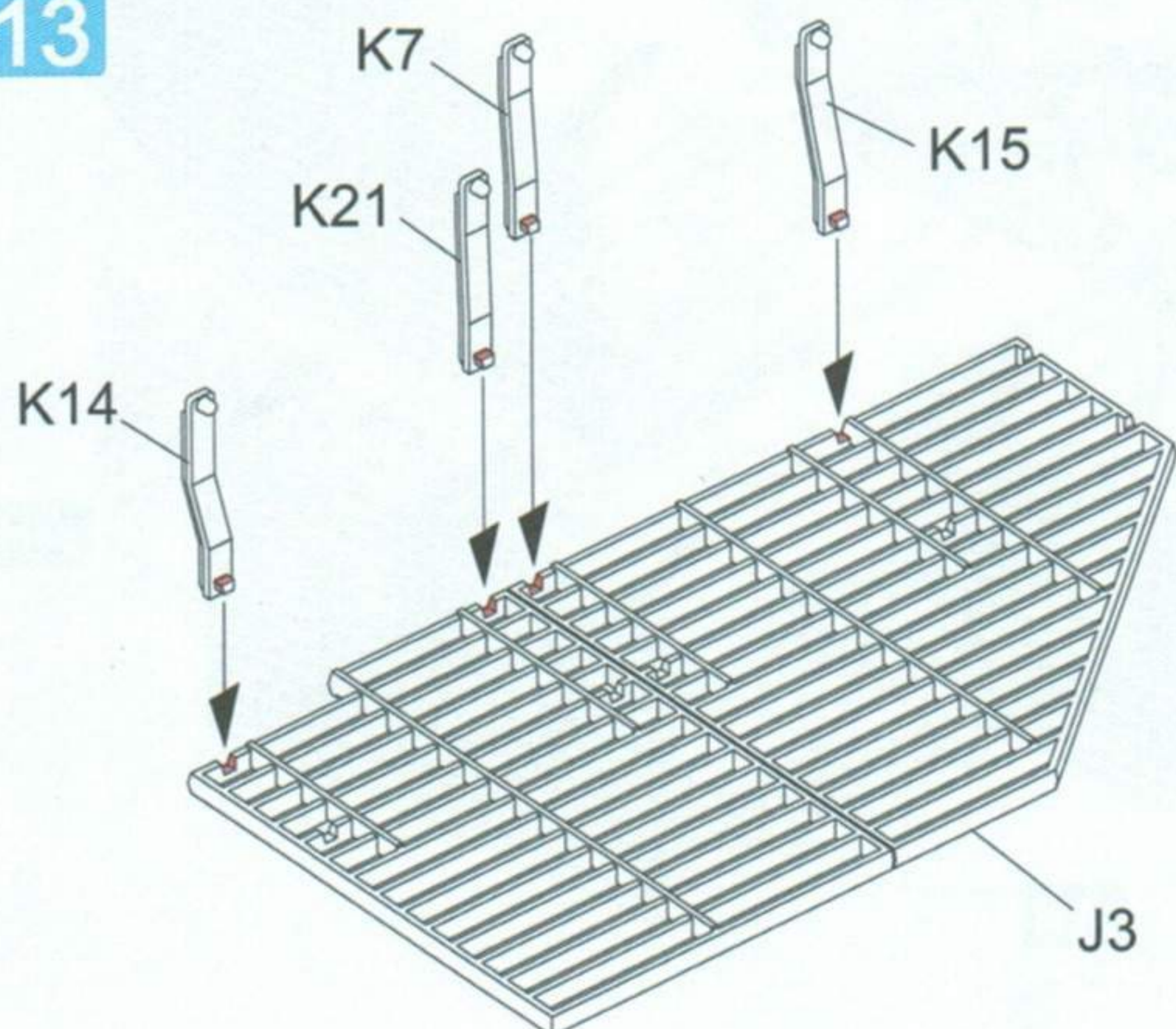
A11



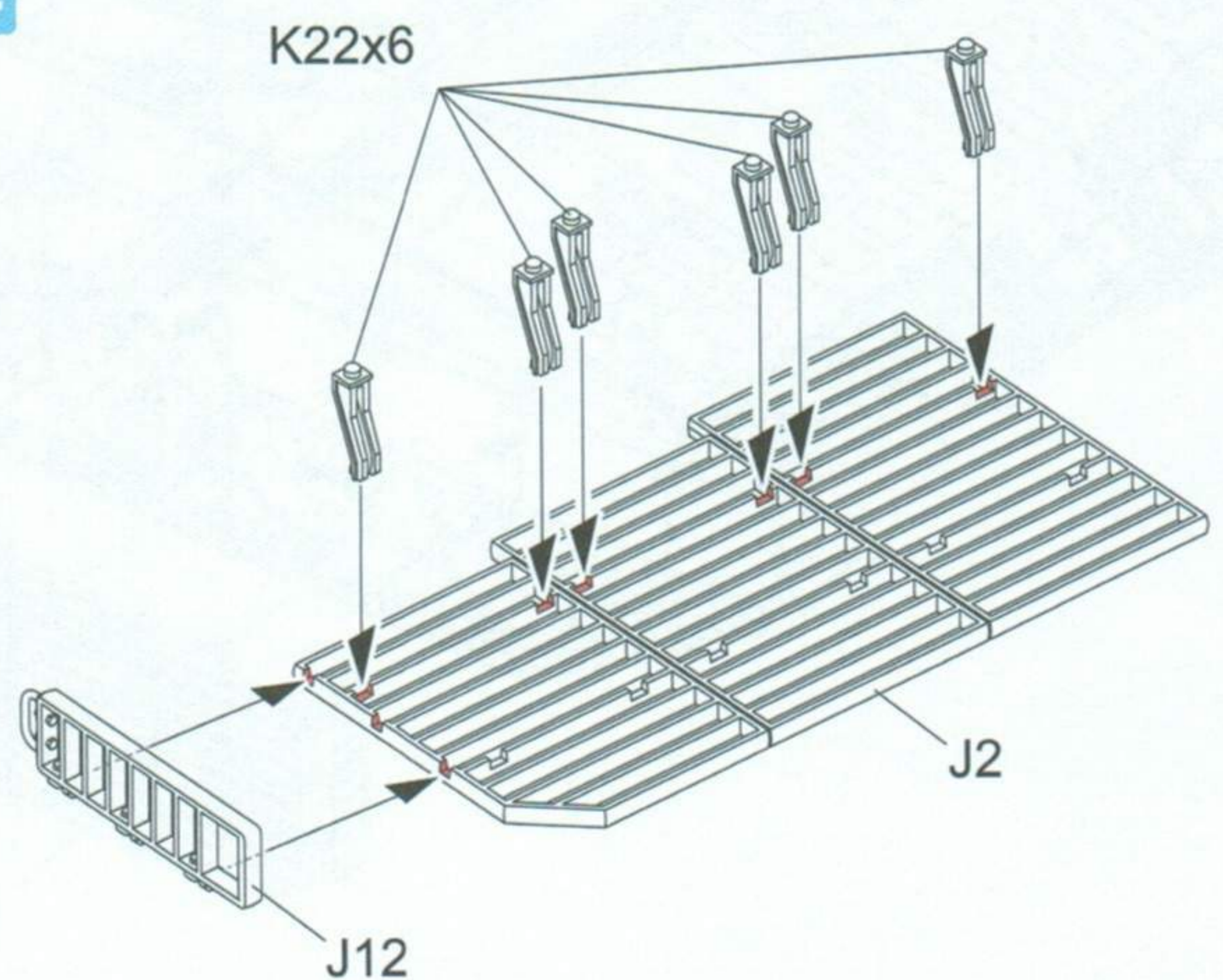
A12



A13

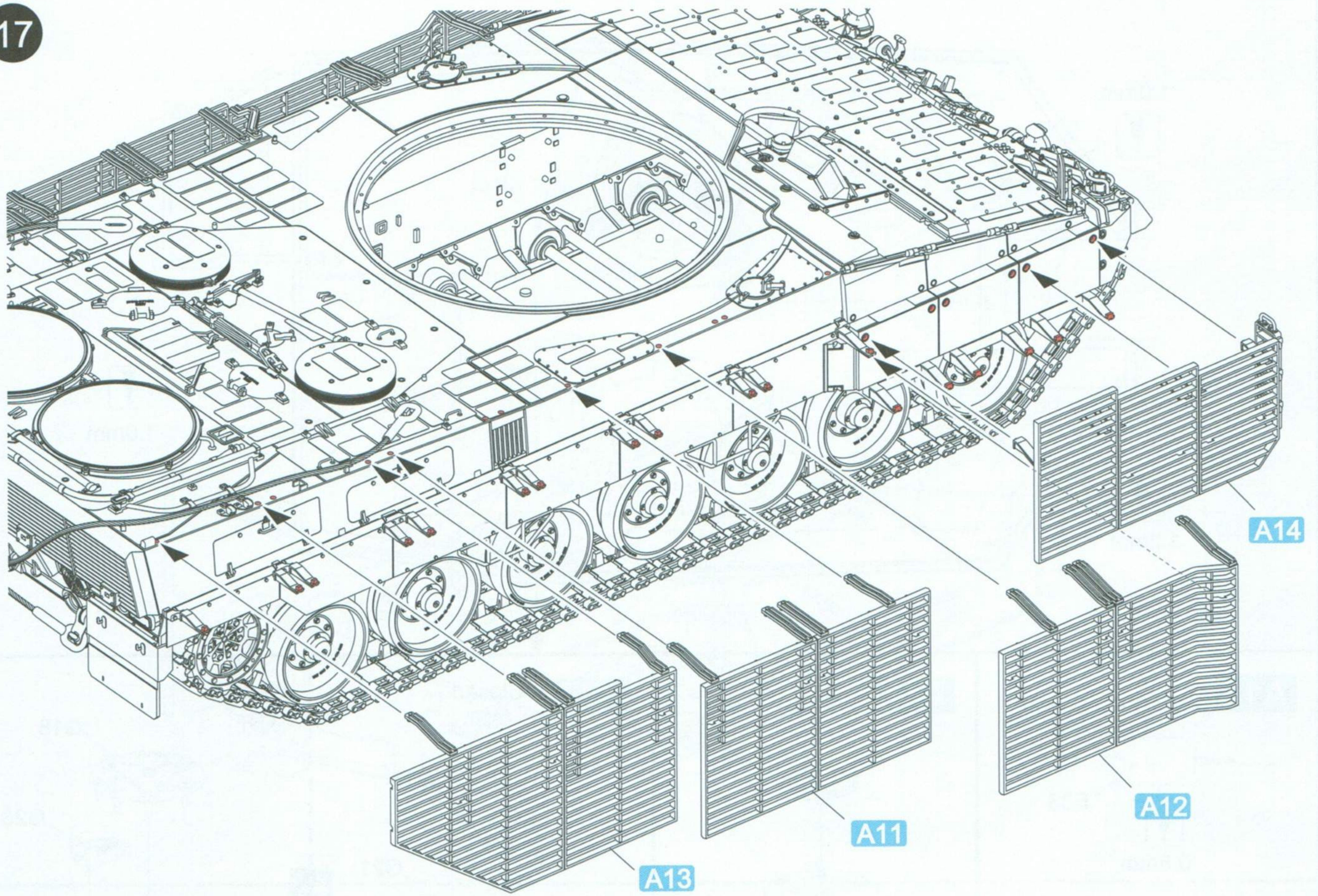


A14

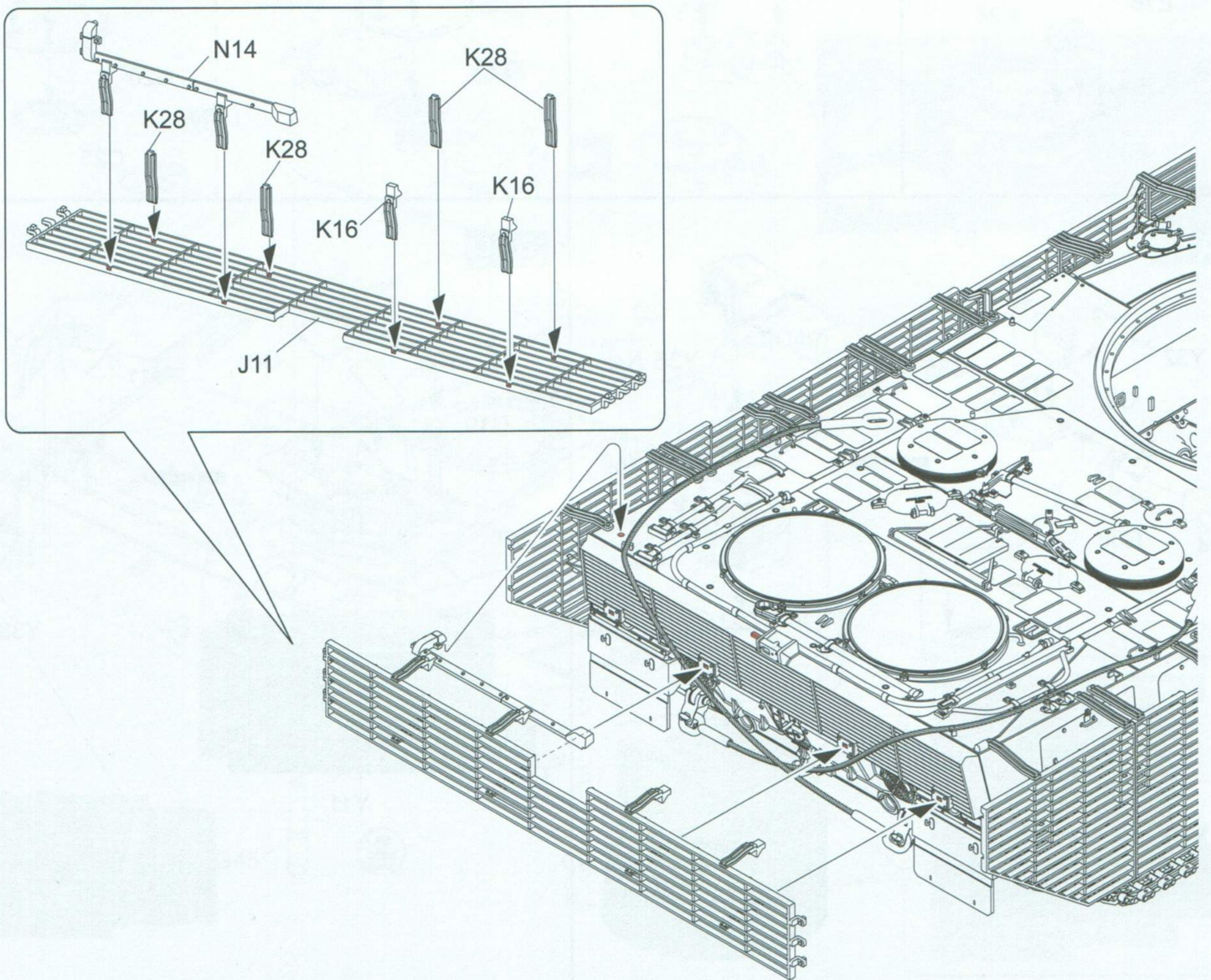




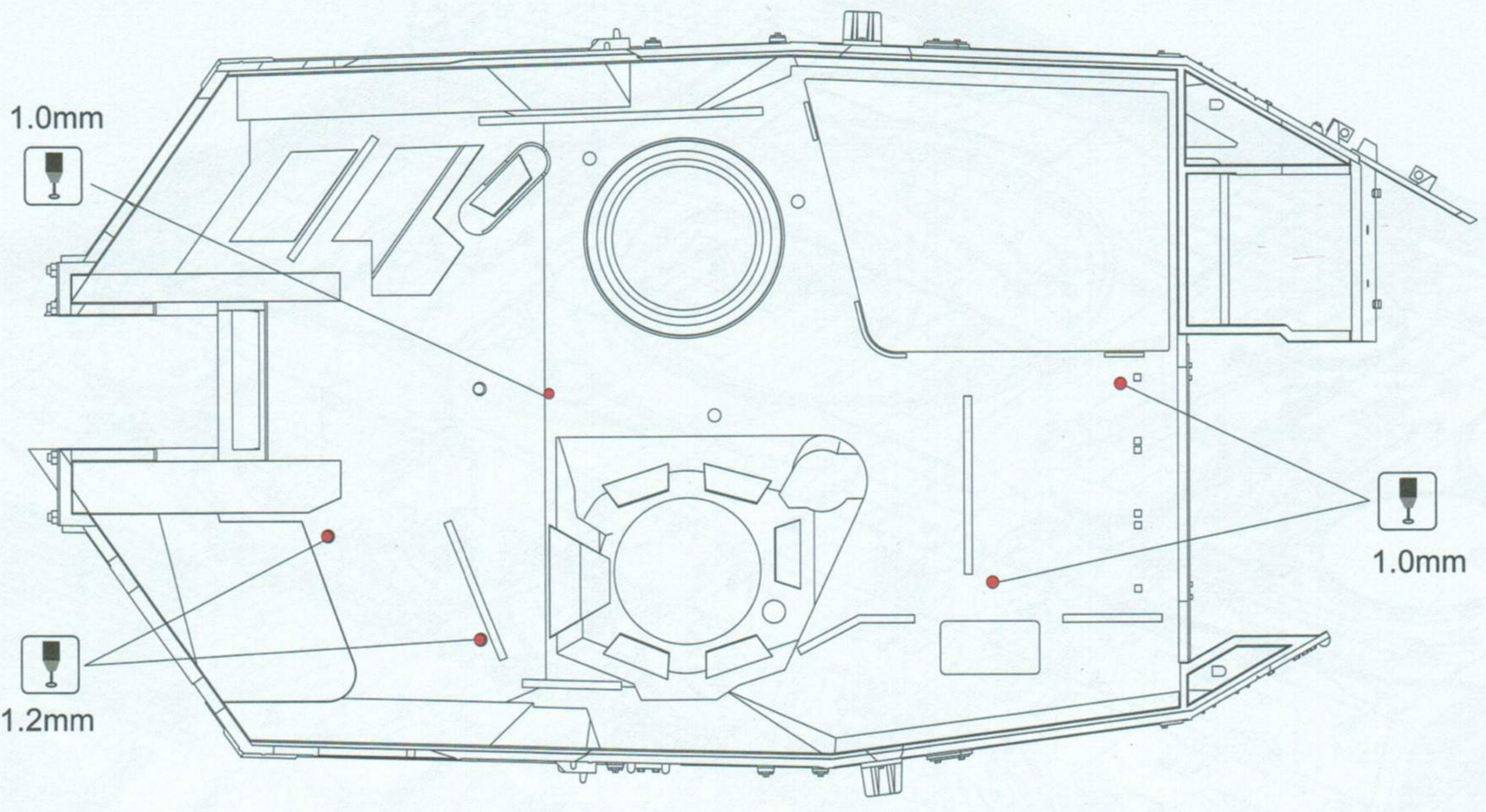
17



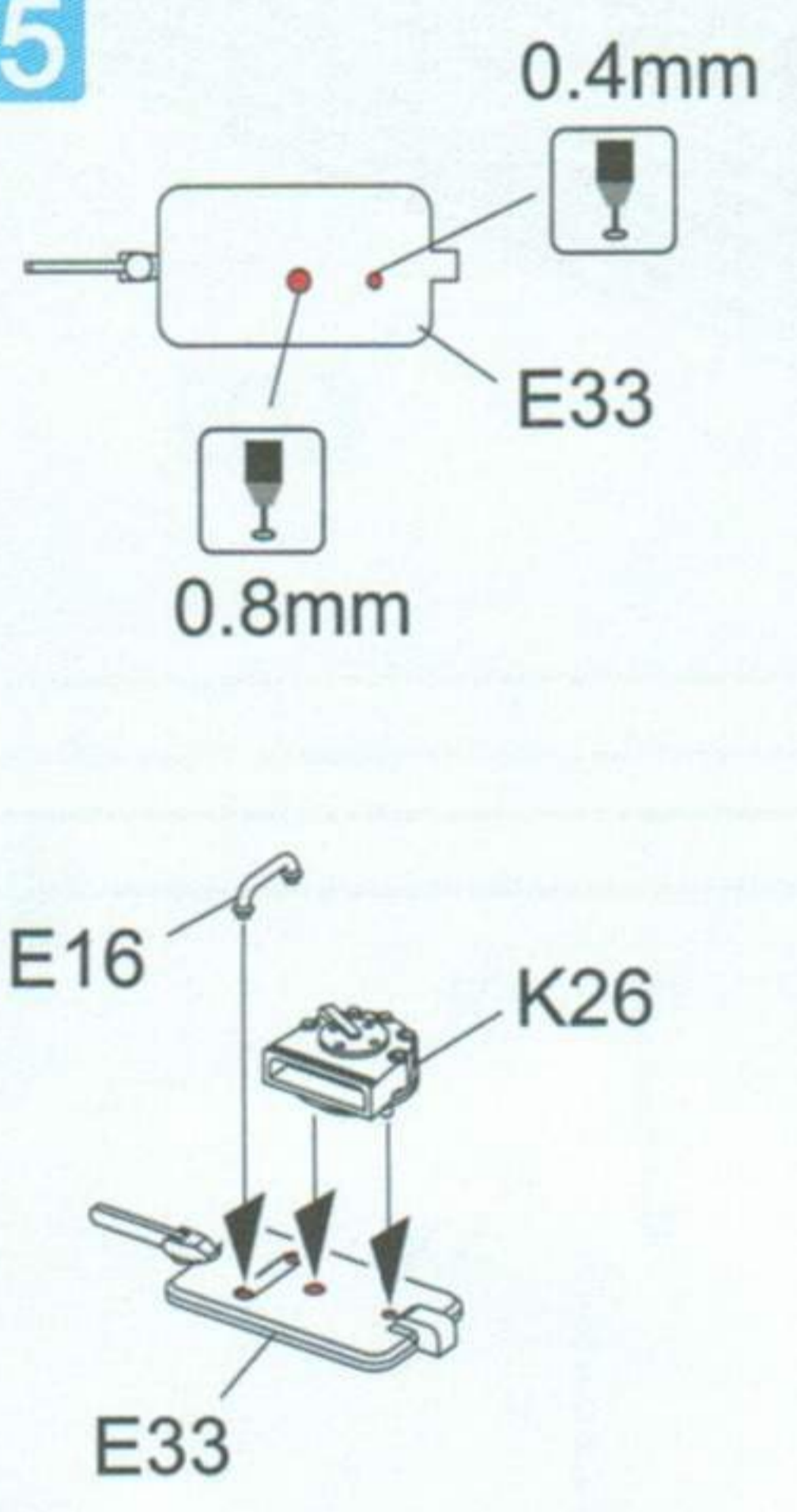
18



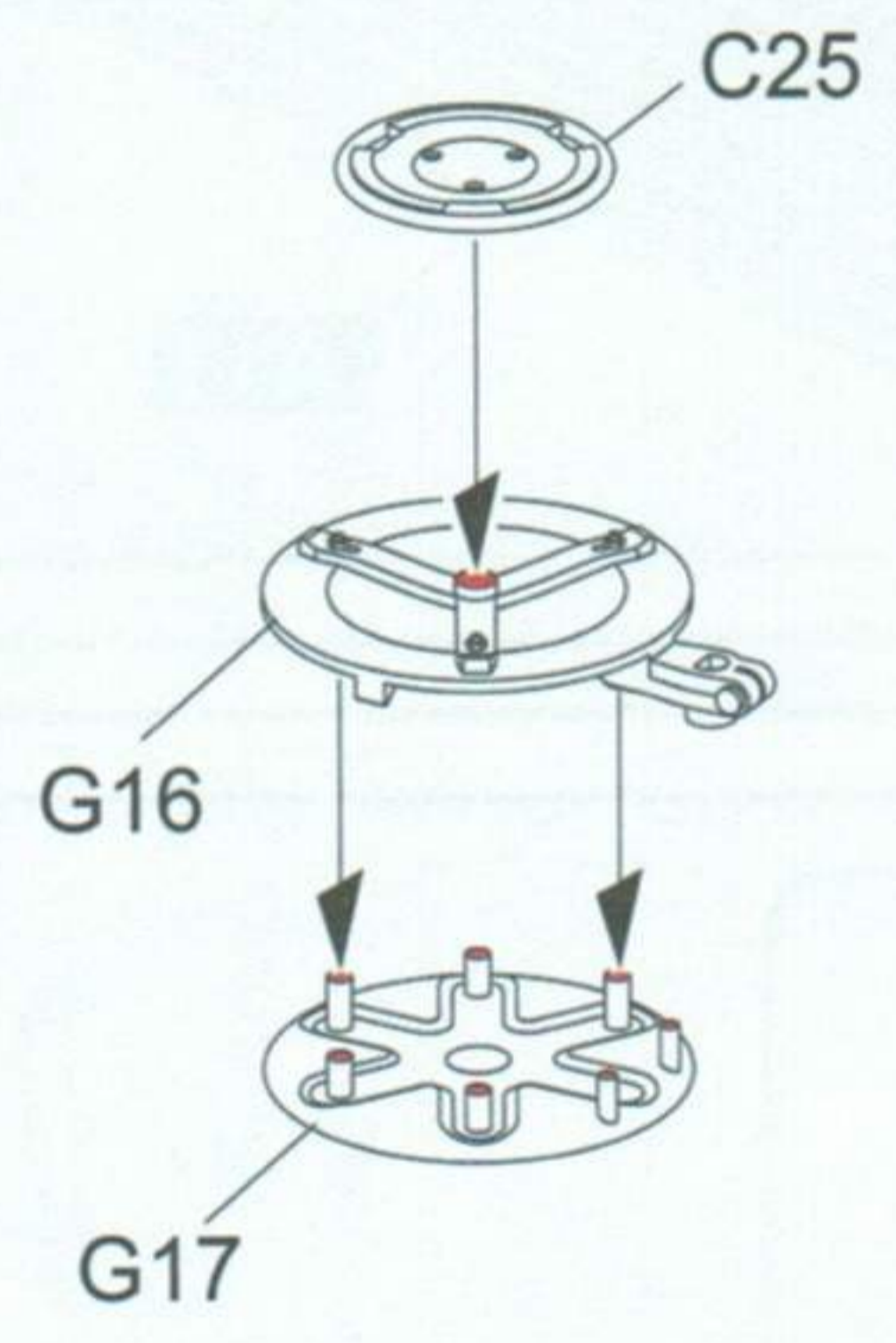




**A15**

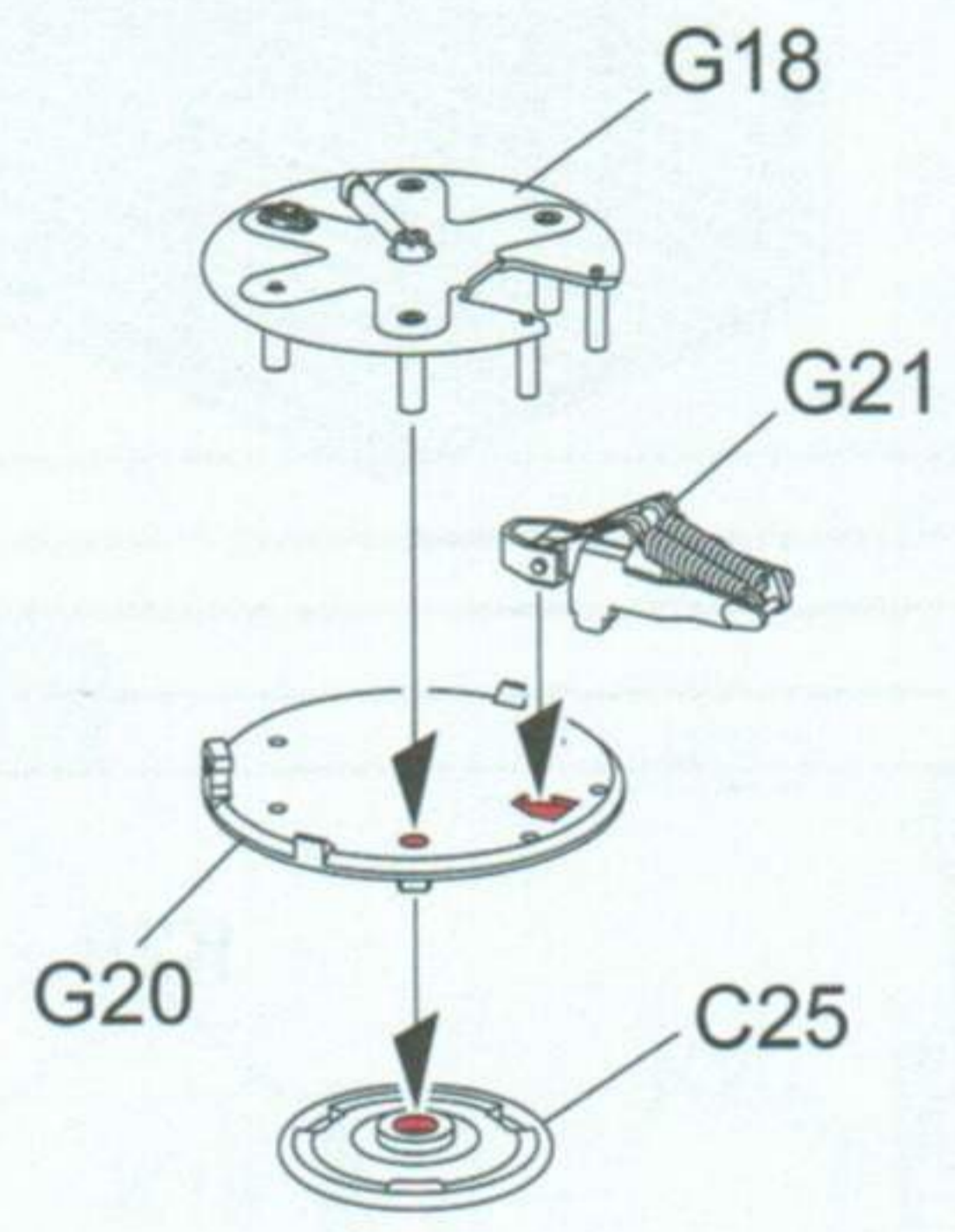


**A16**

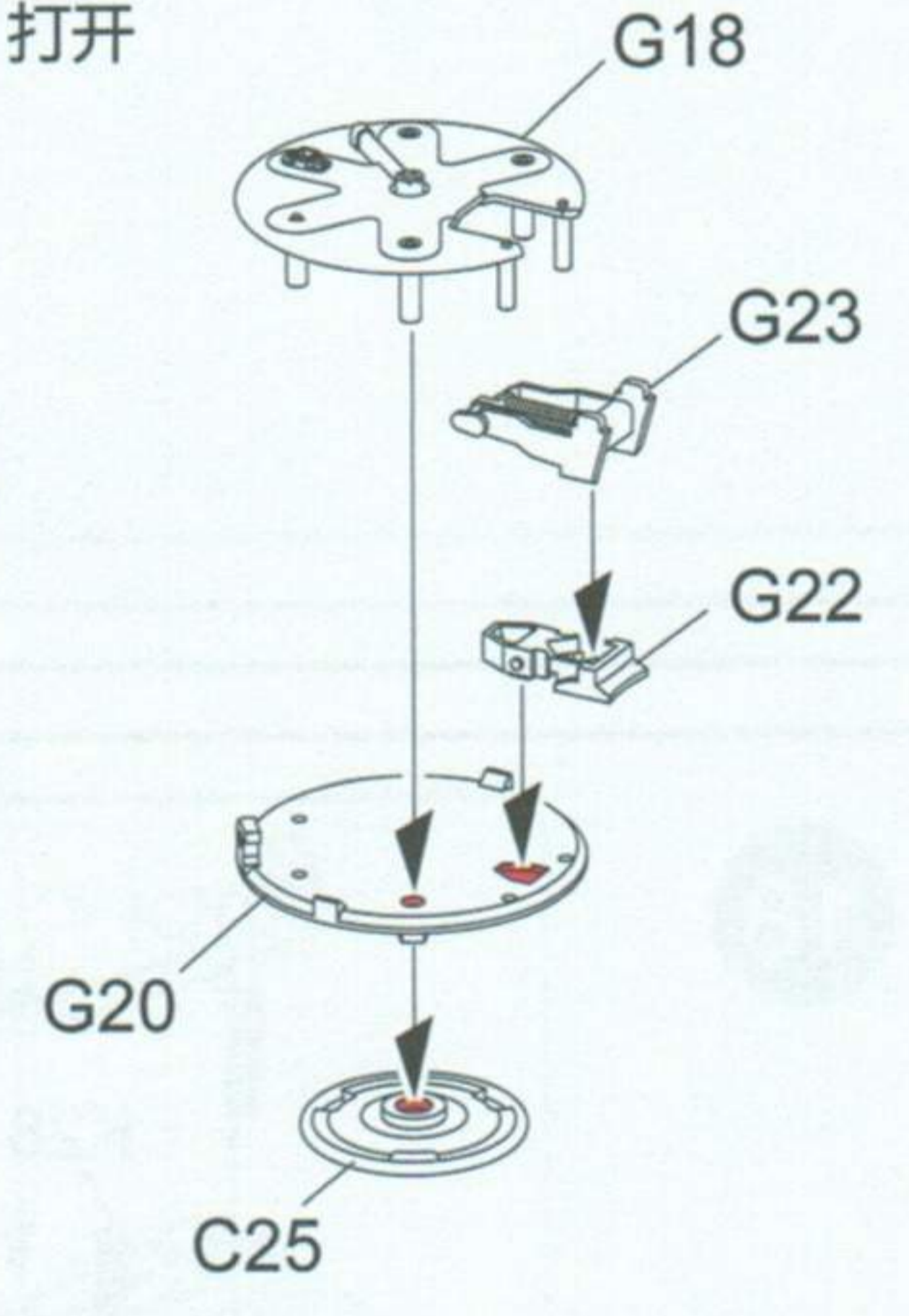


**A17**

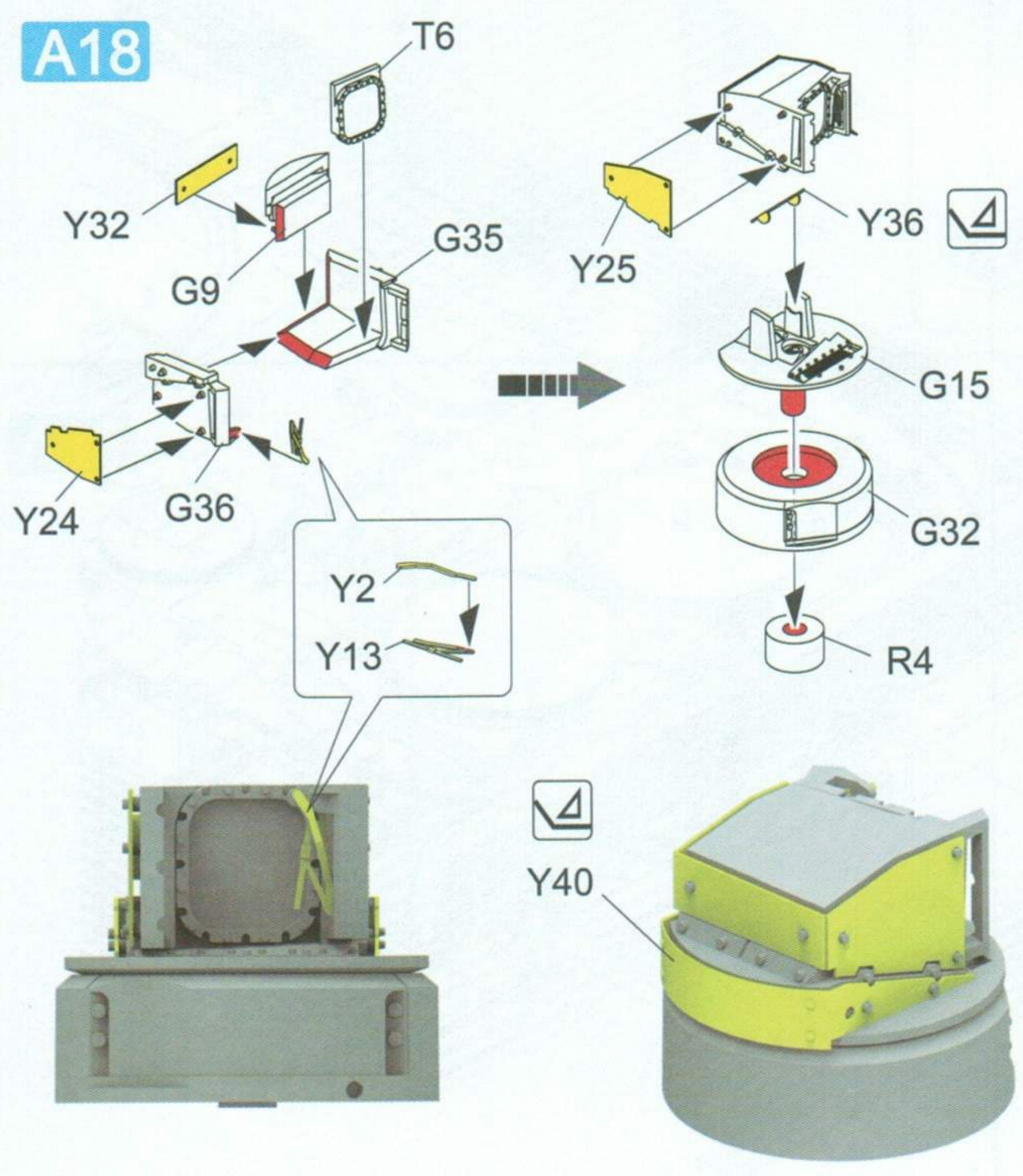
Closed  
关闭



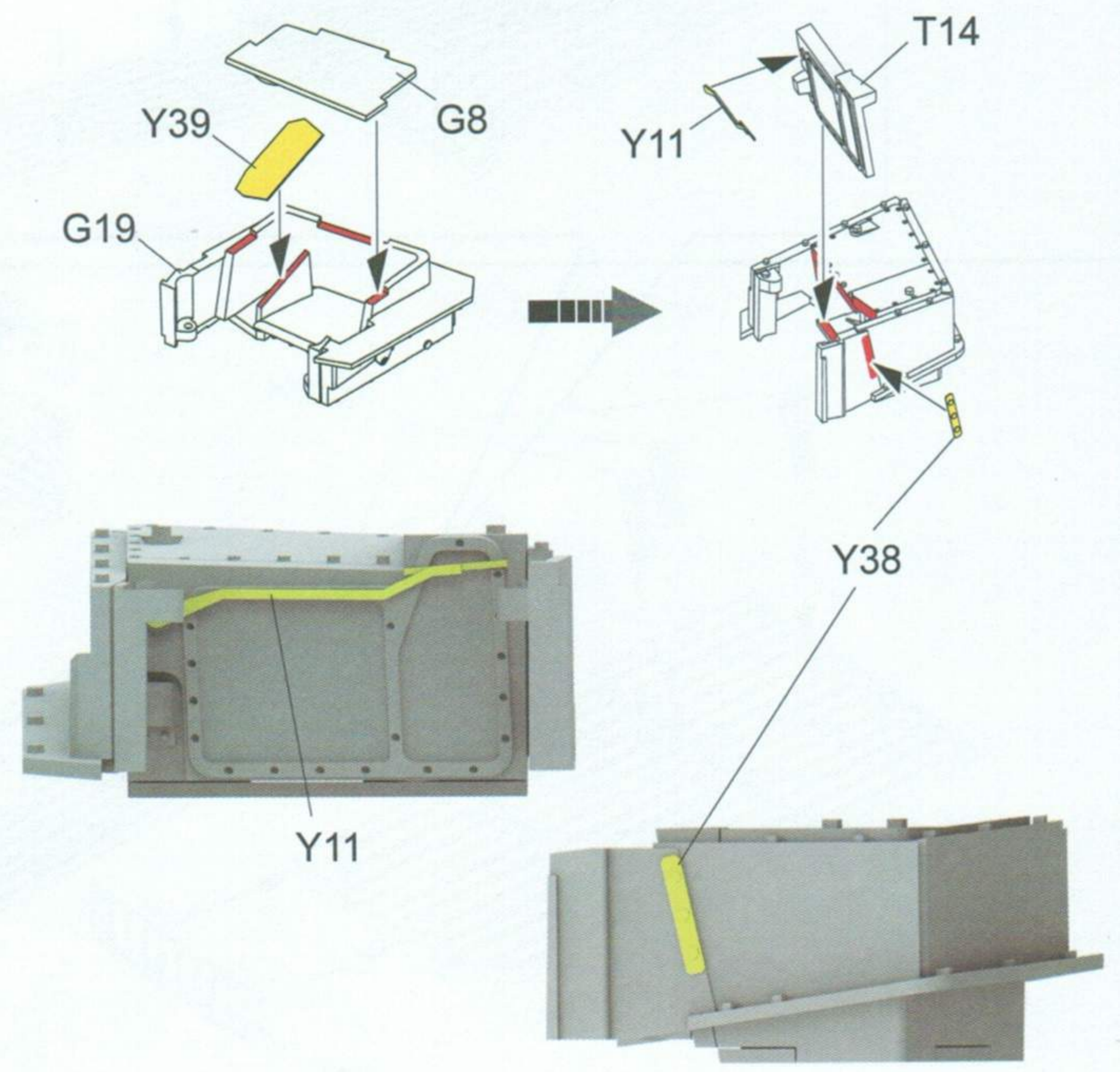
Open  
打开



**A18**

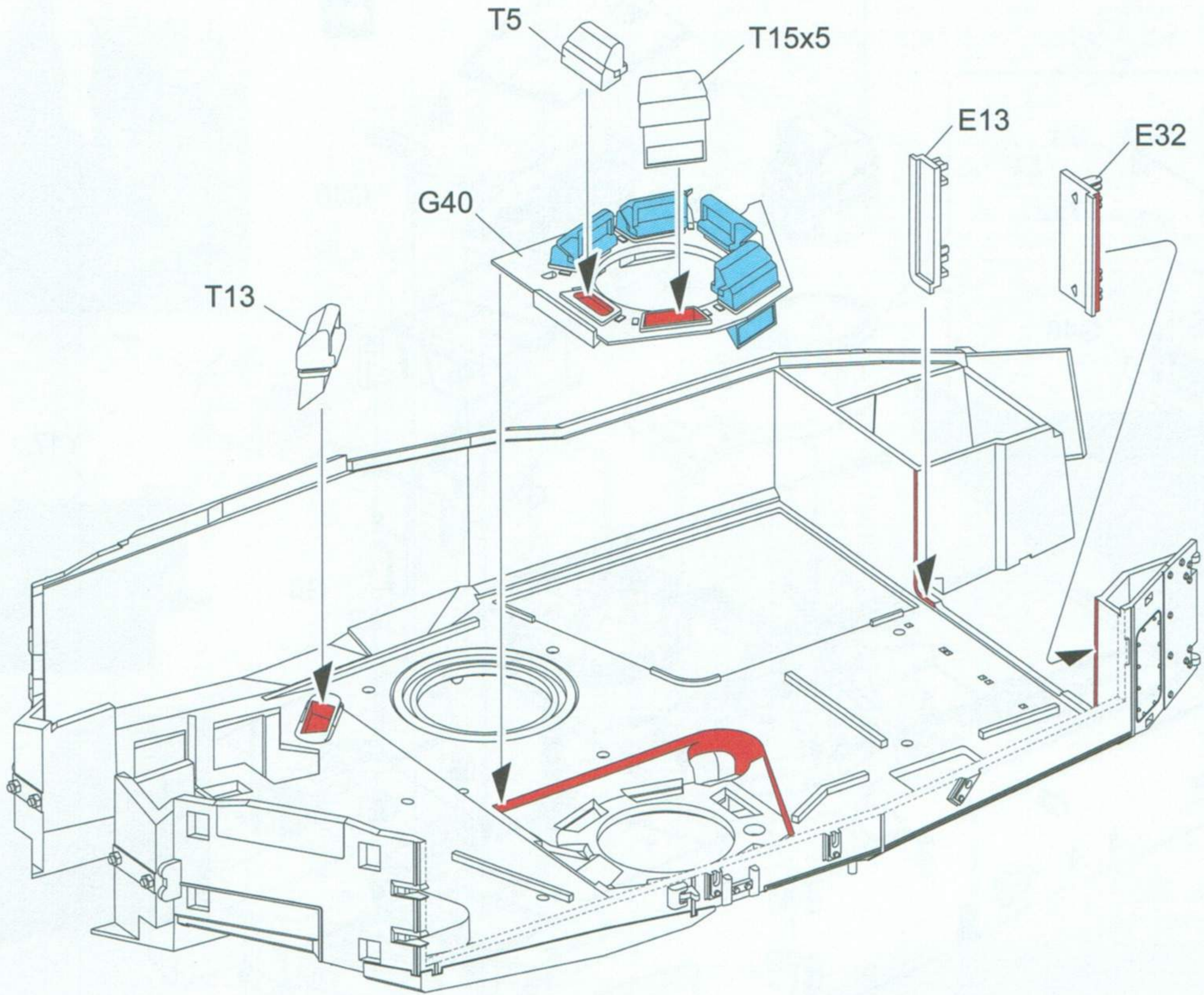


**A19**

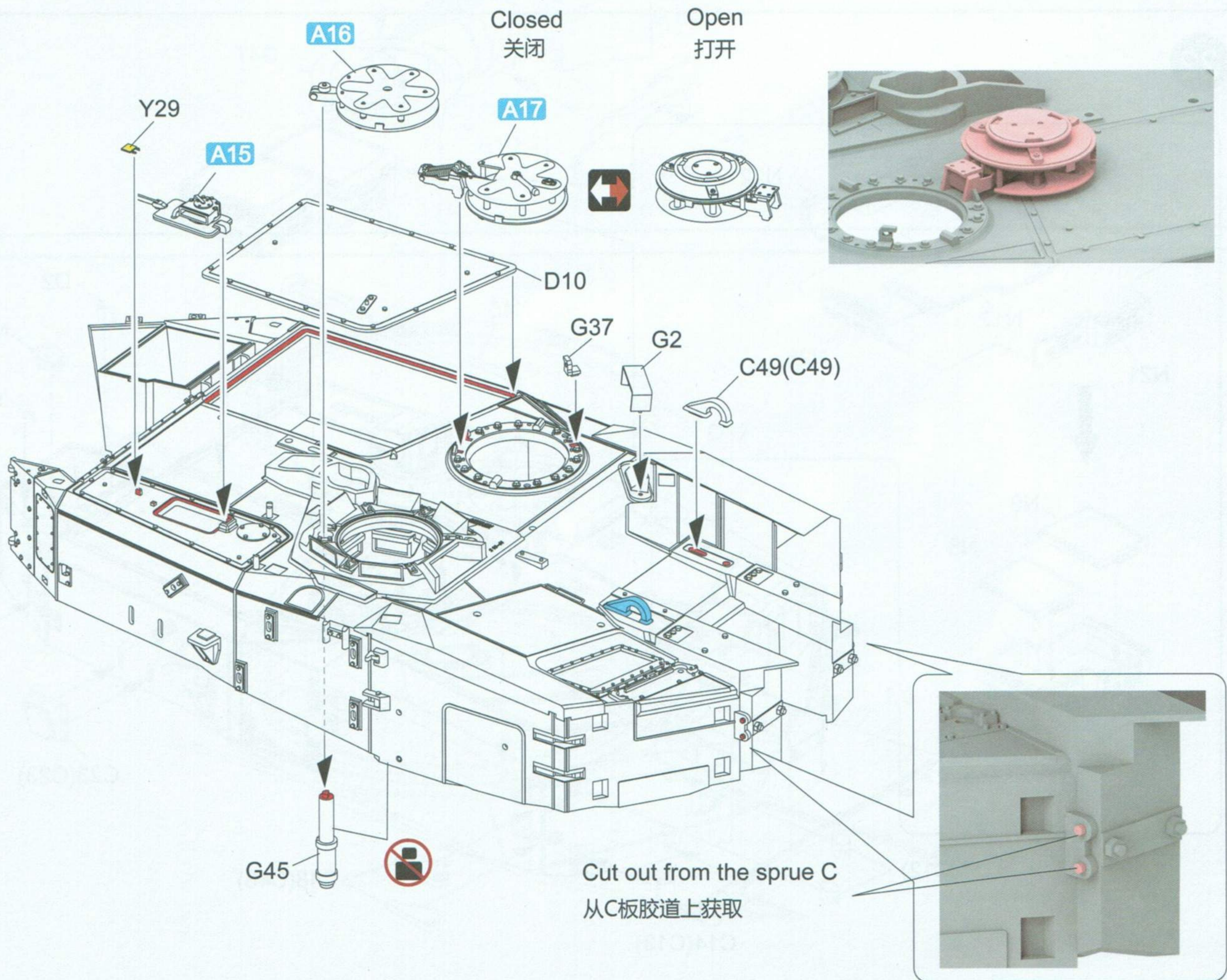




19

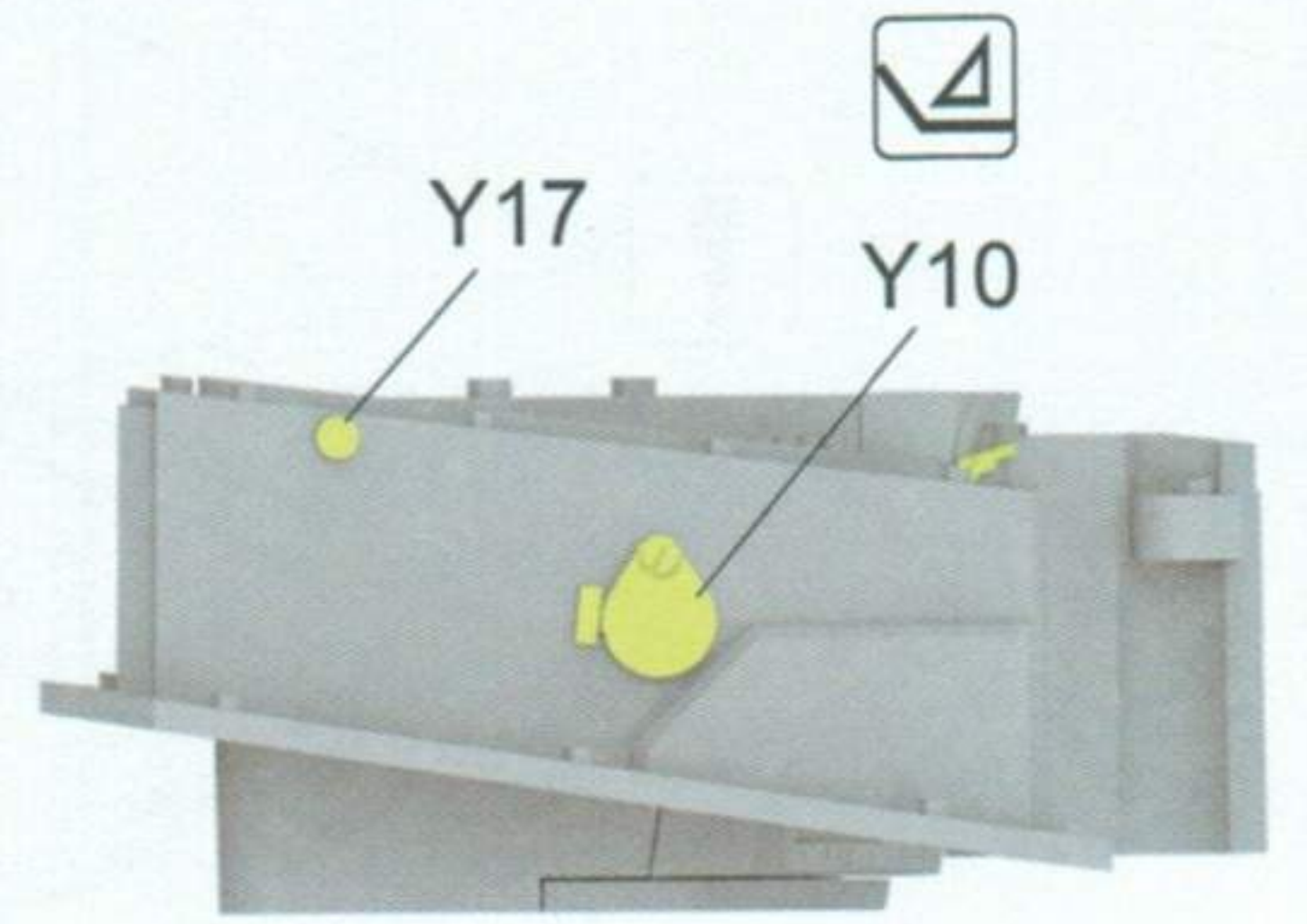
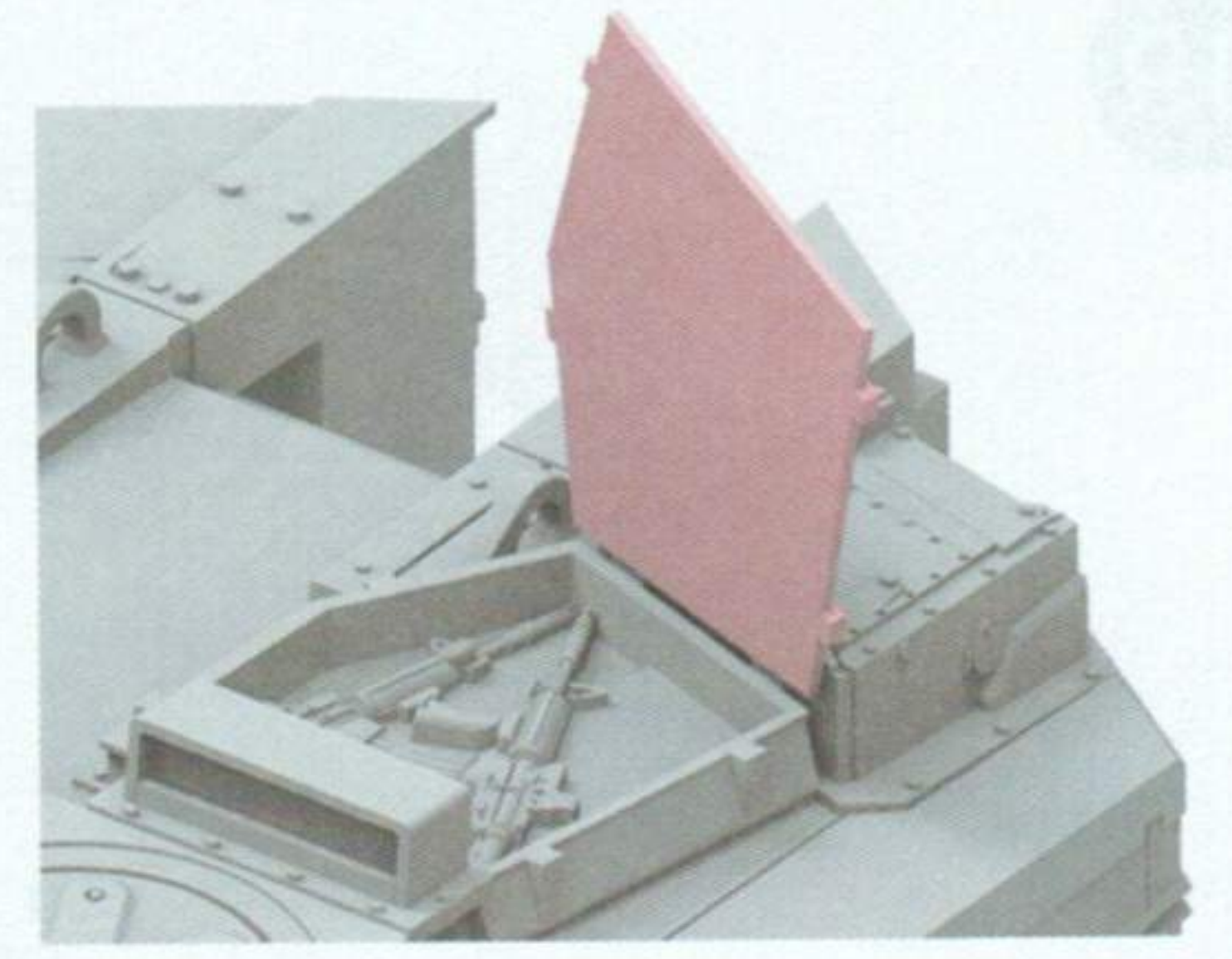
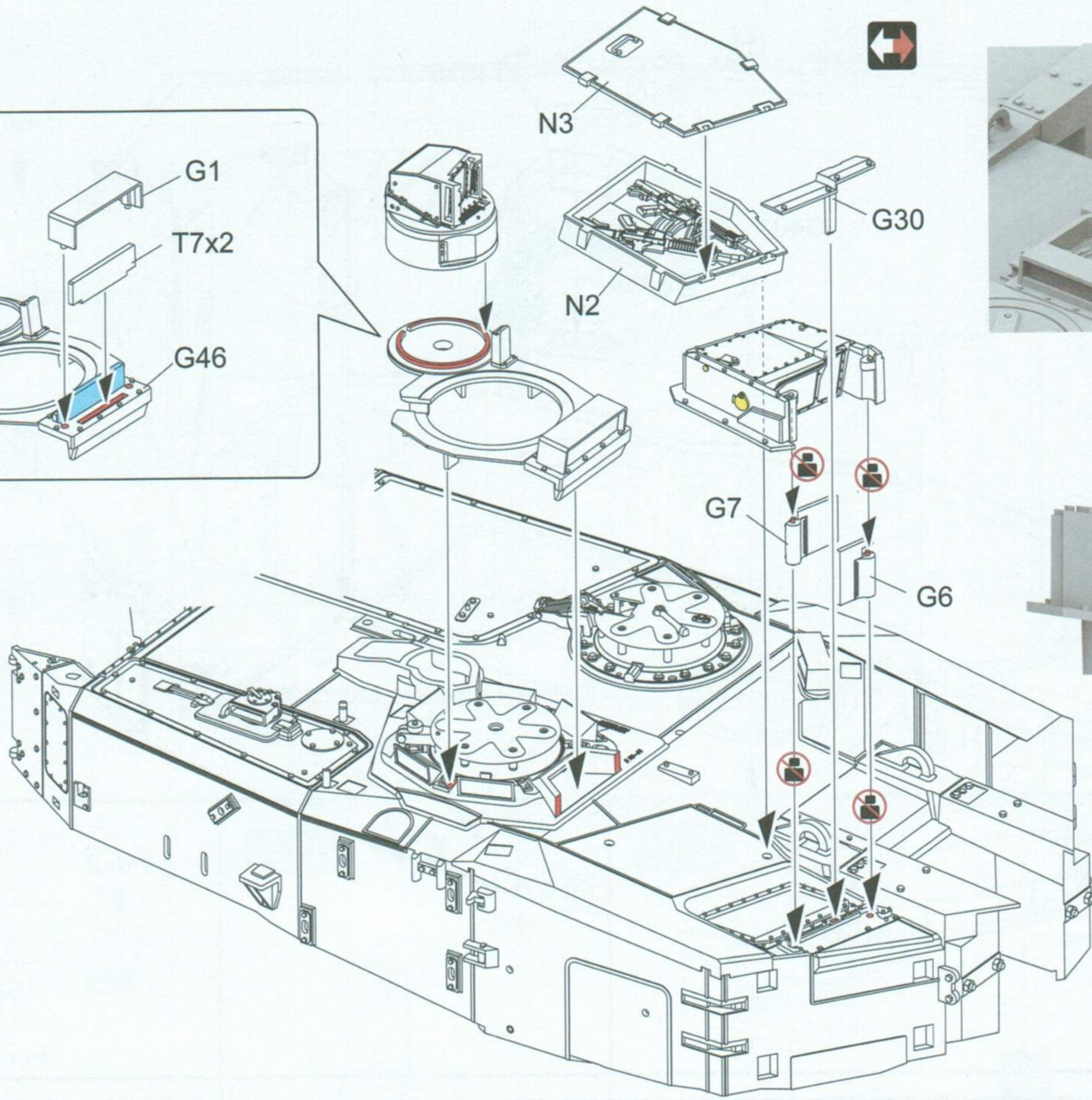
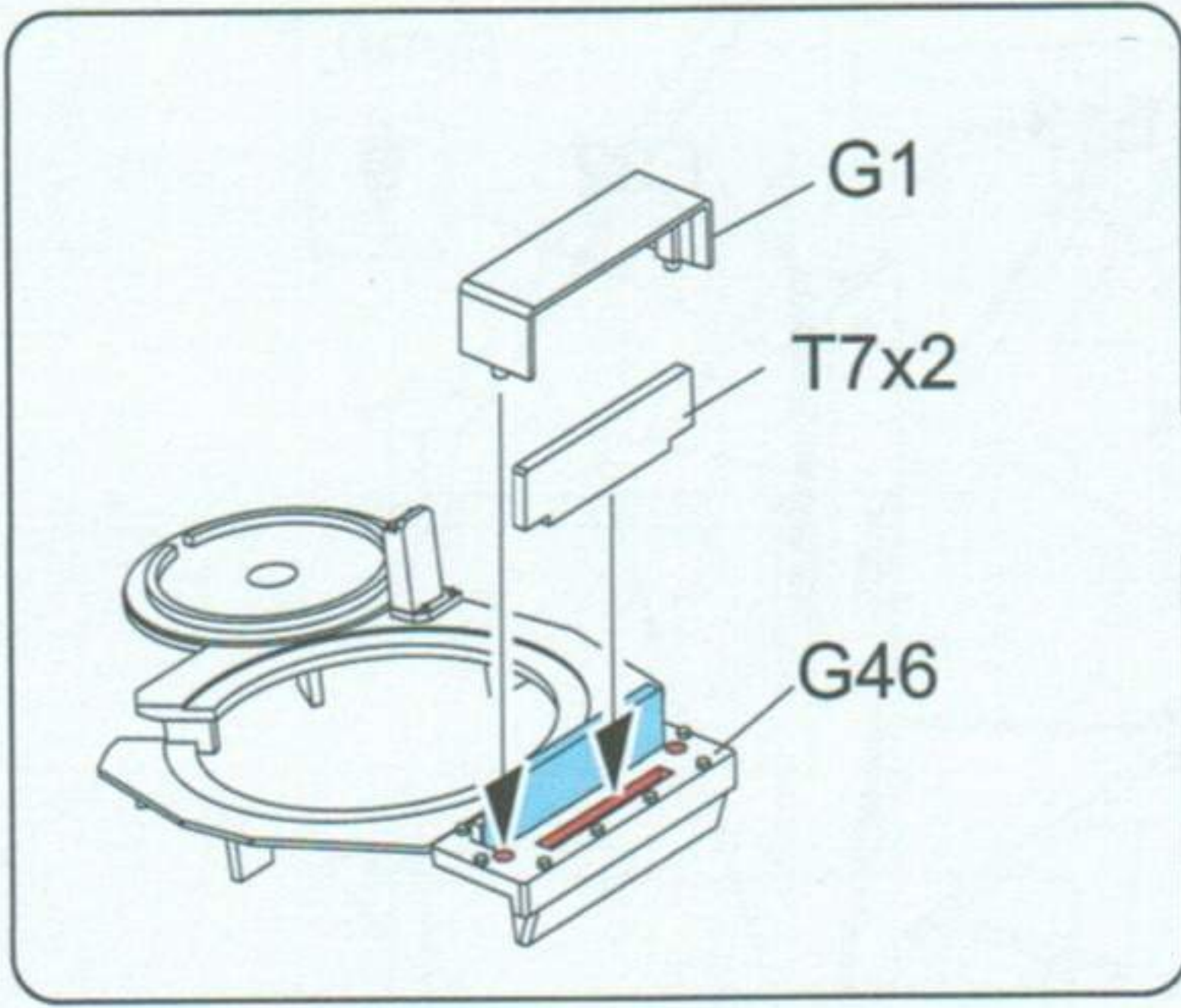


20

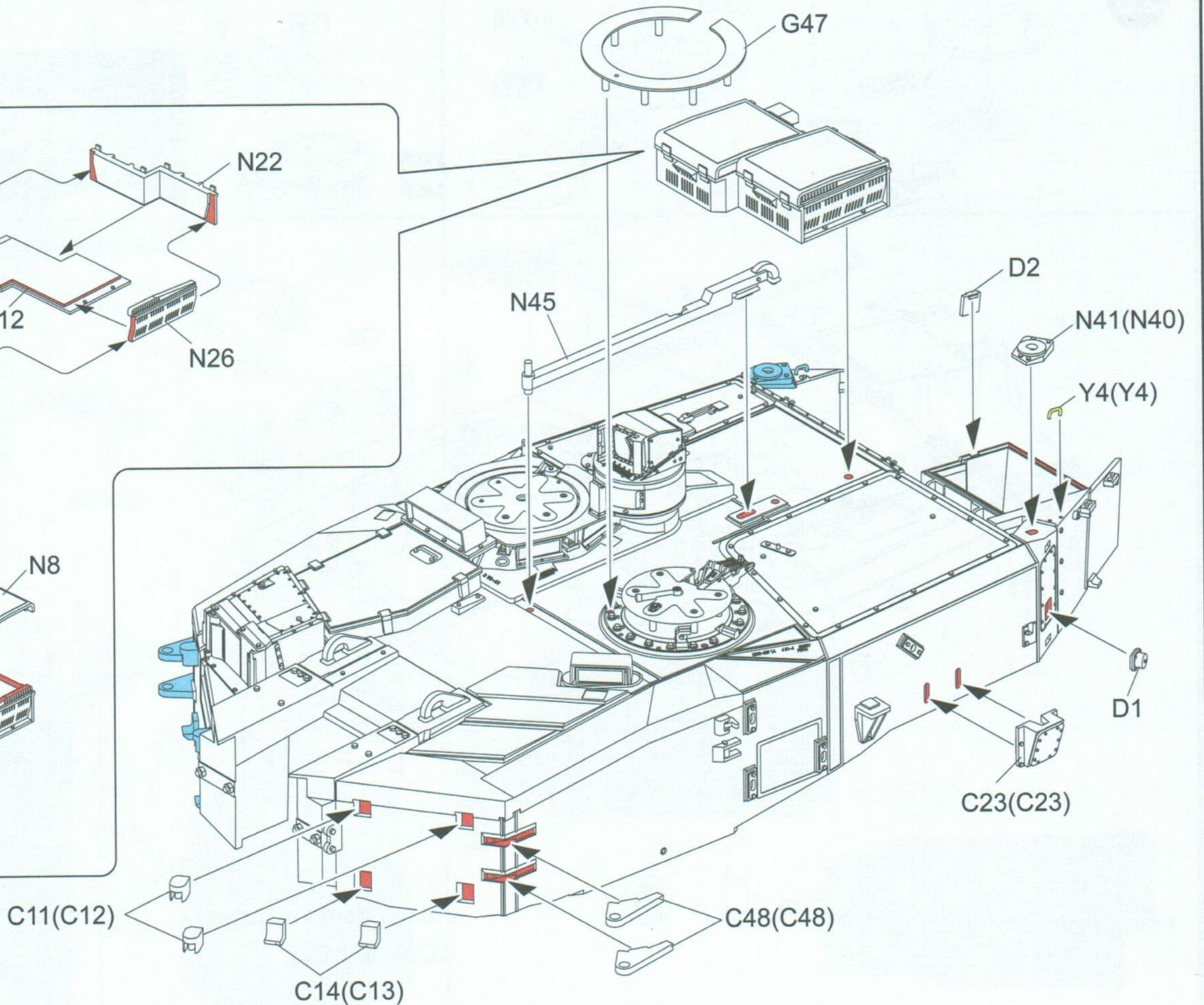
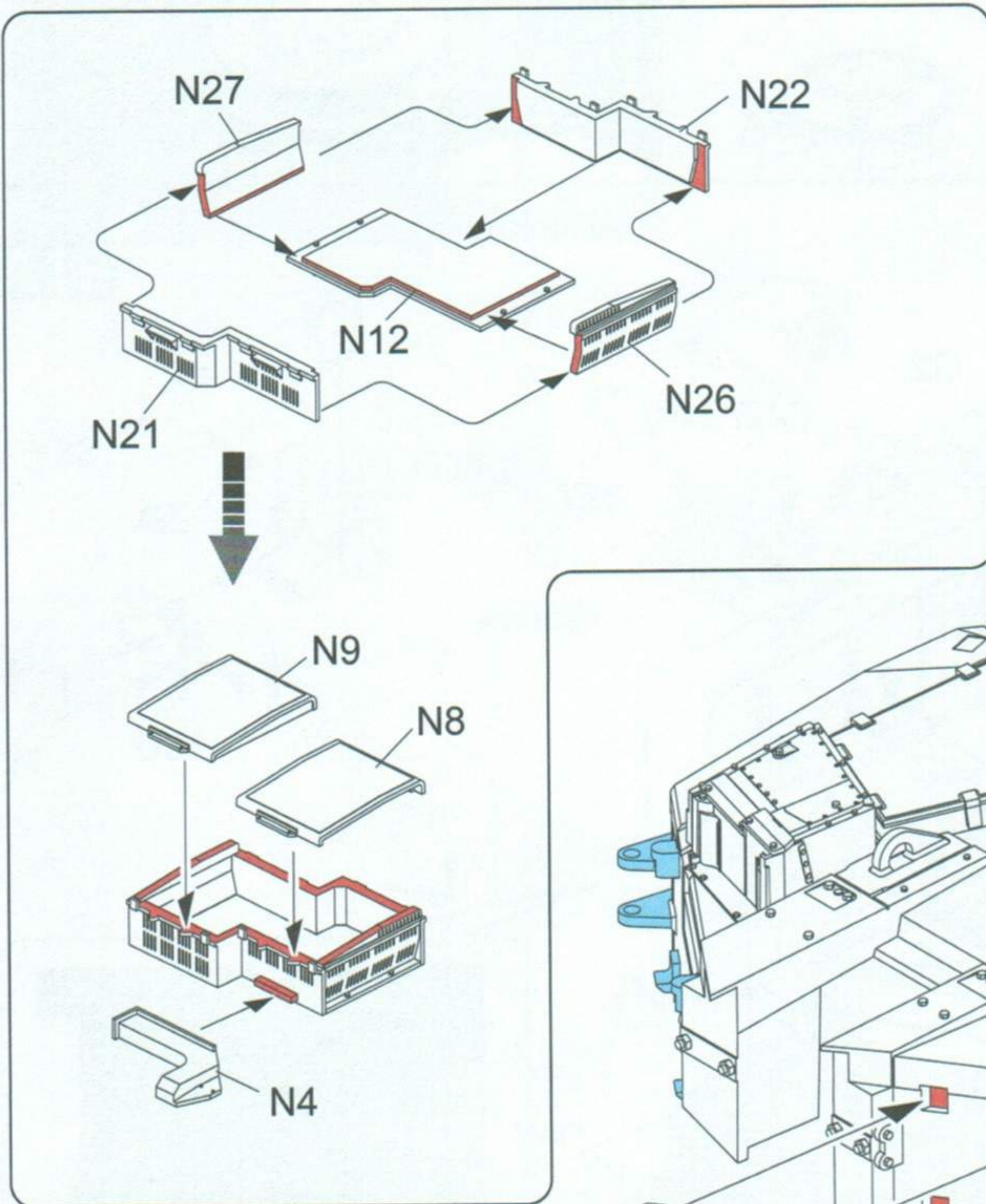




21

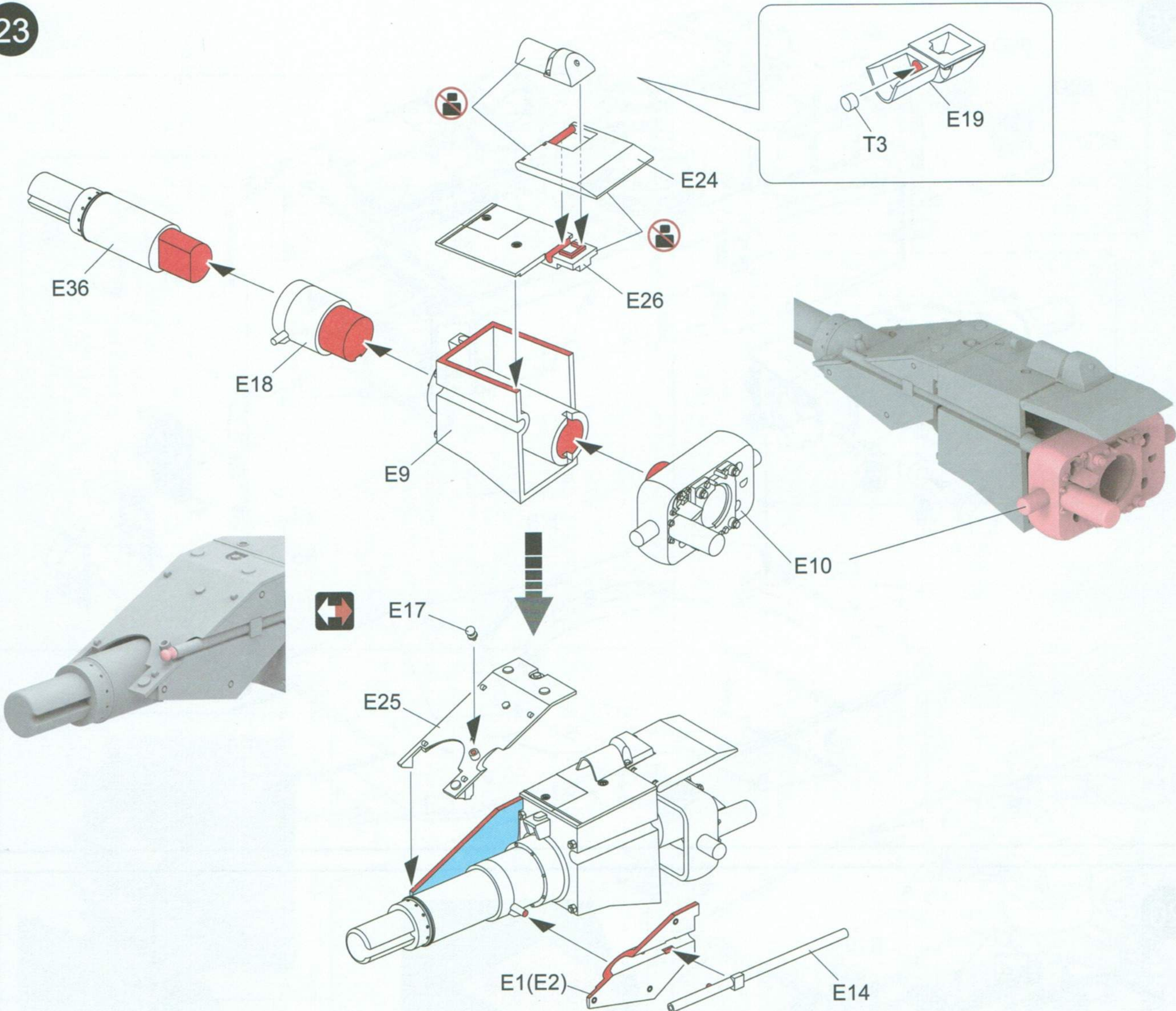


22

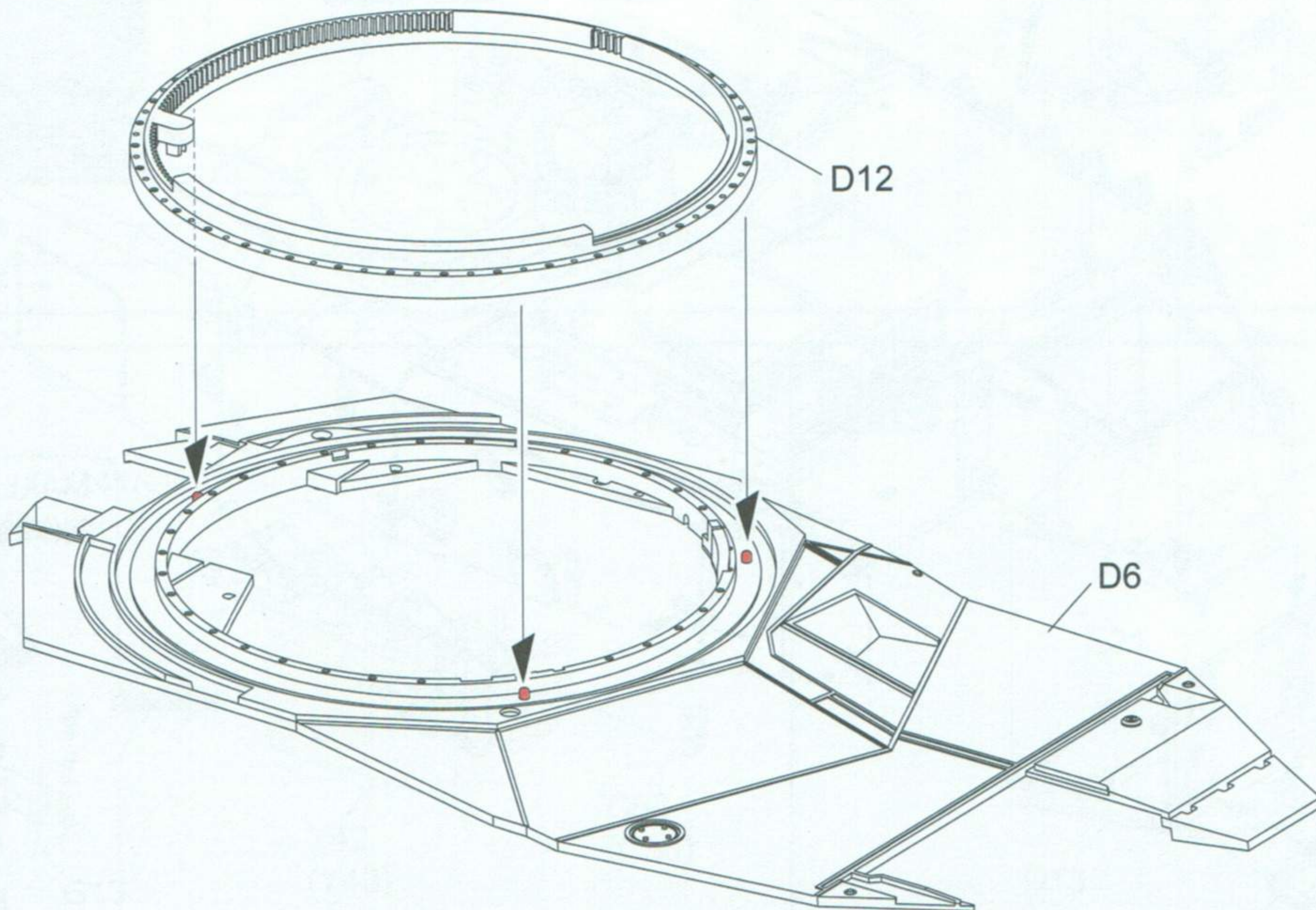




23

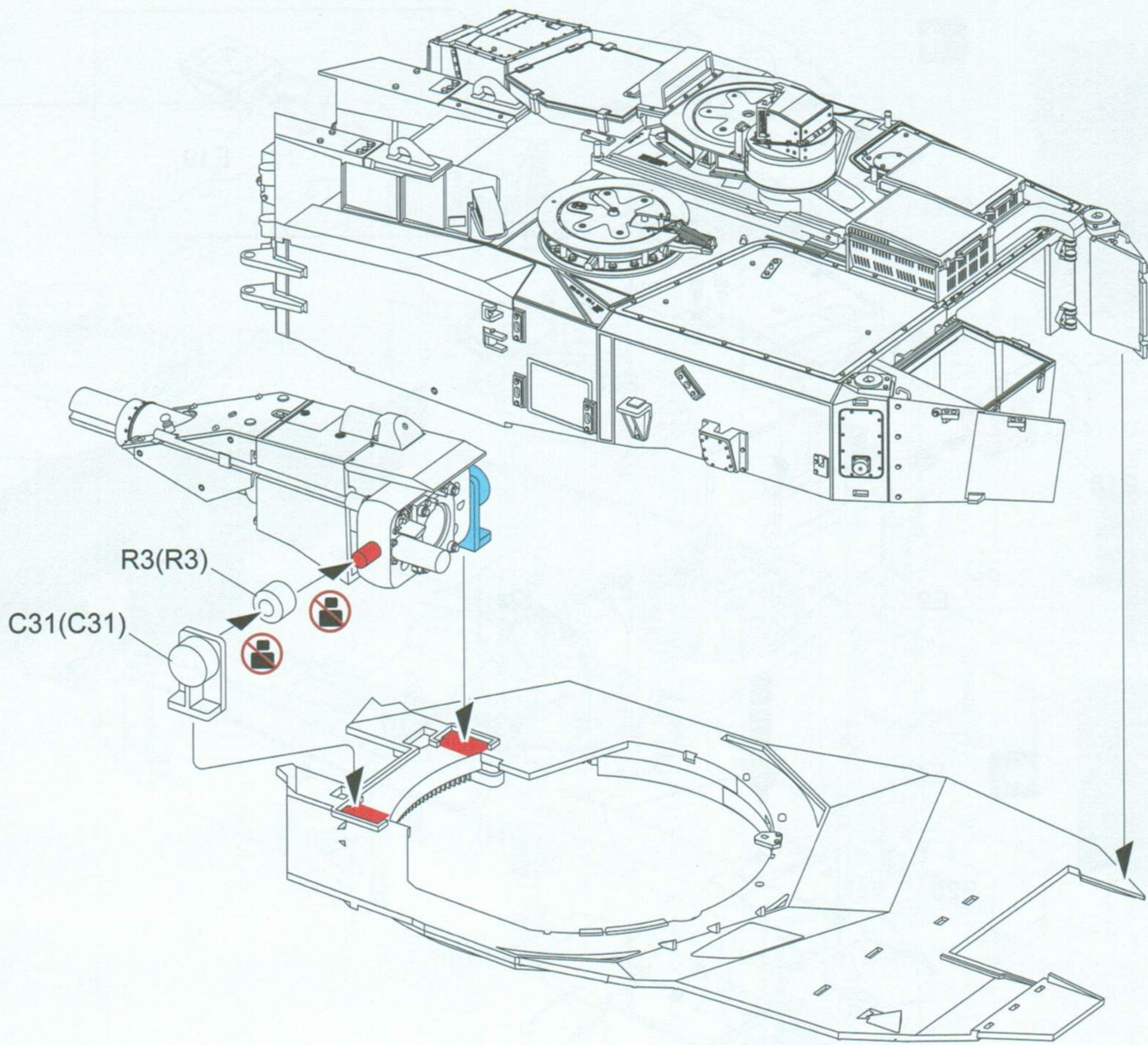


24

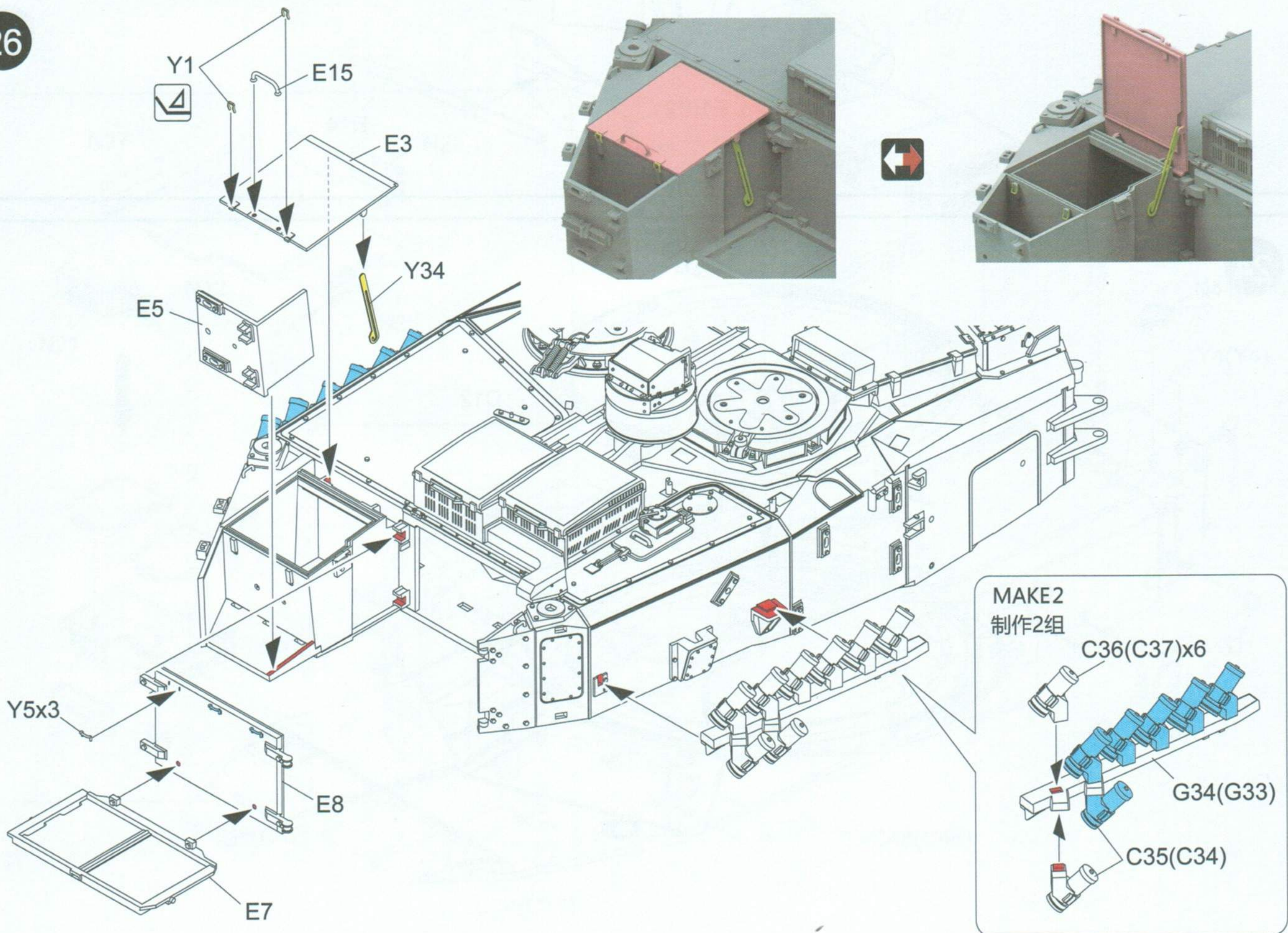




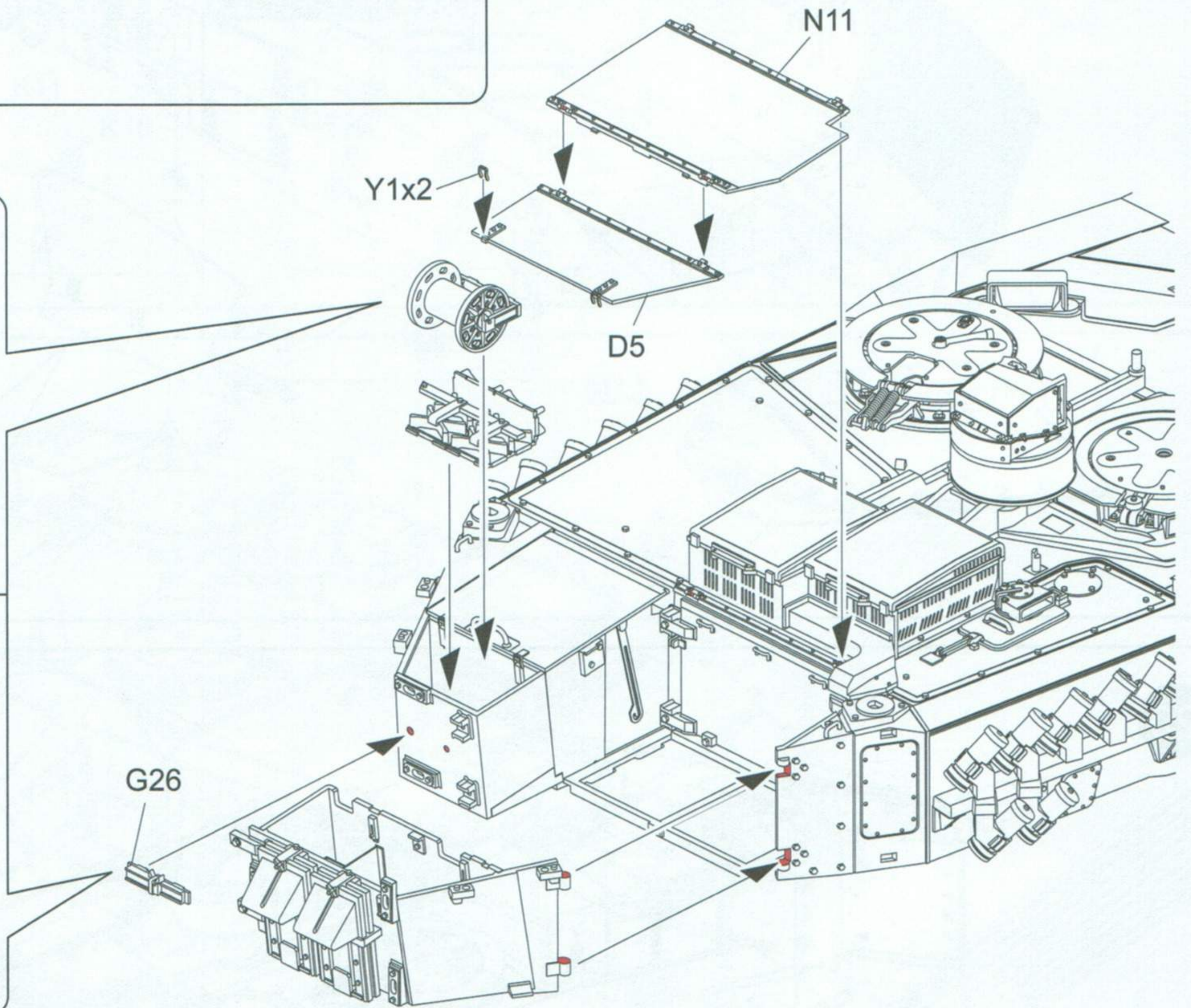
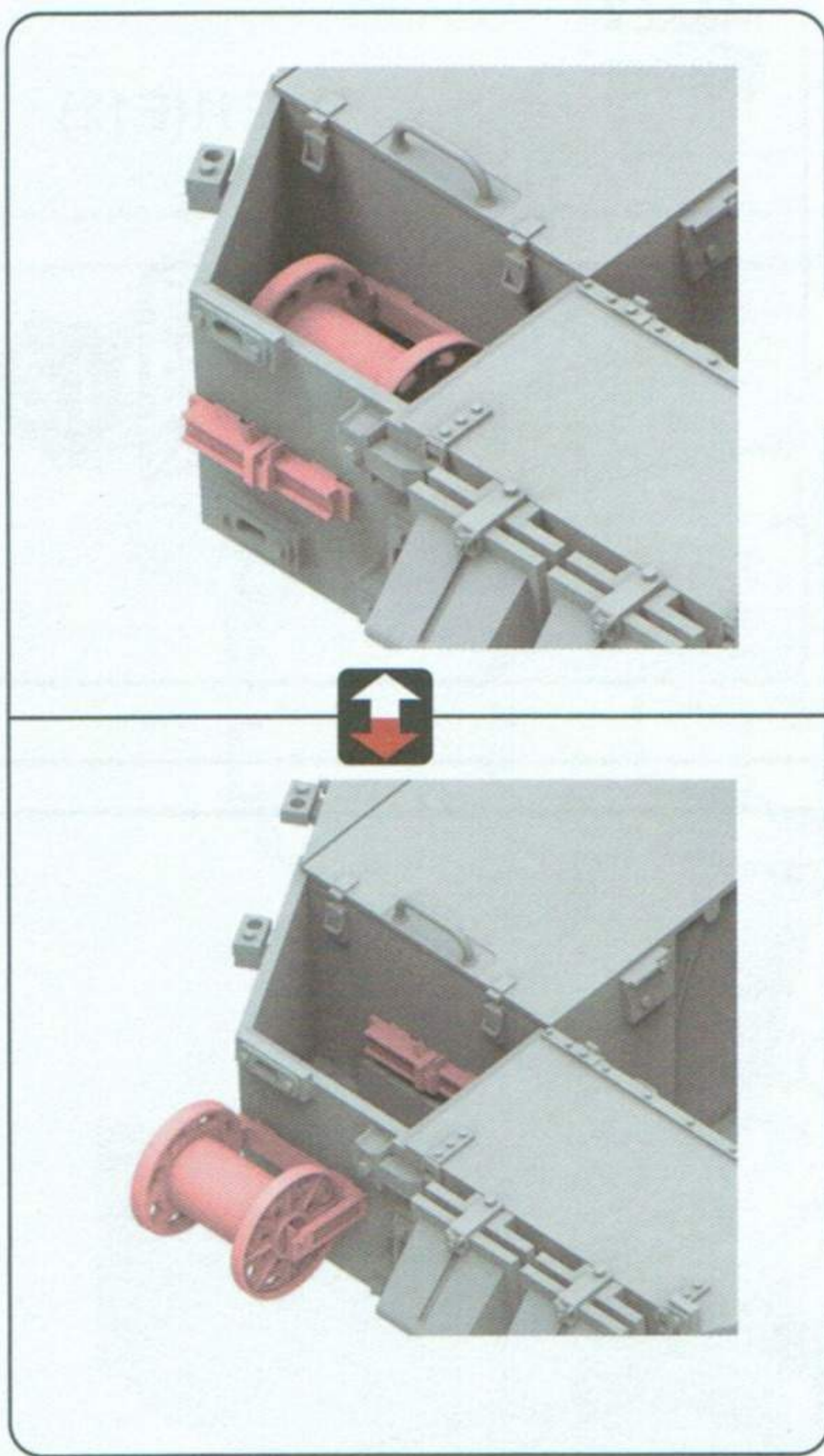
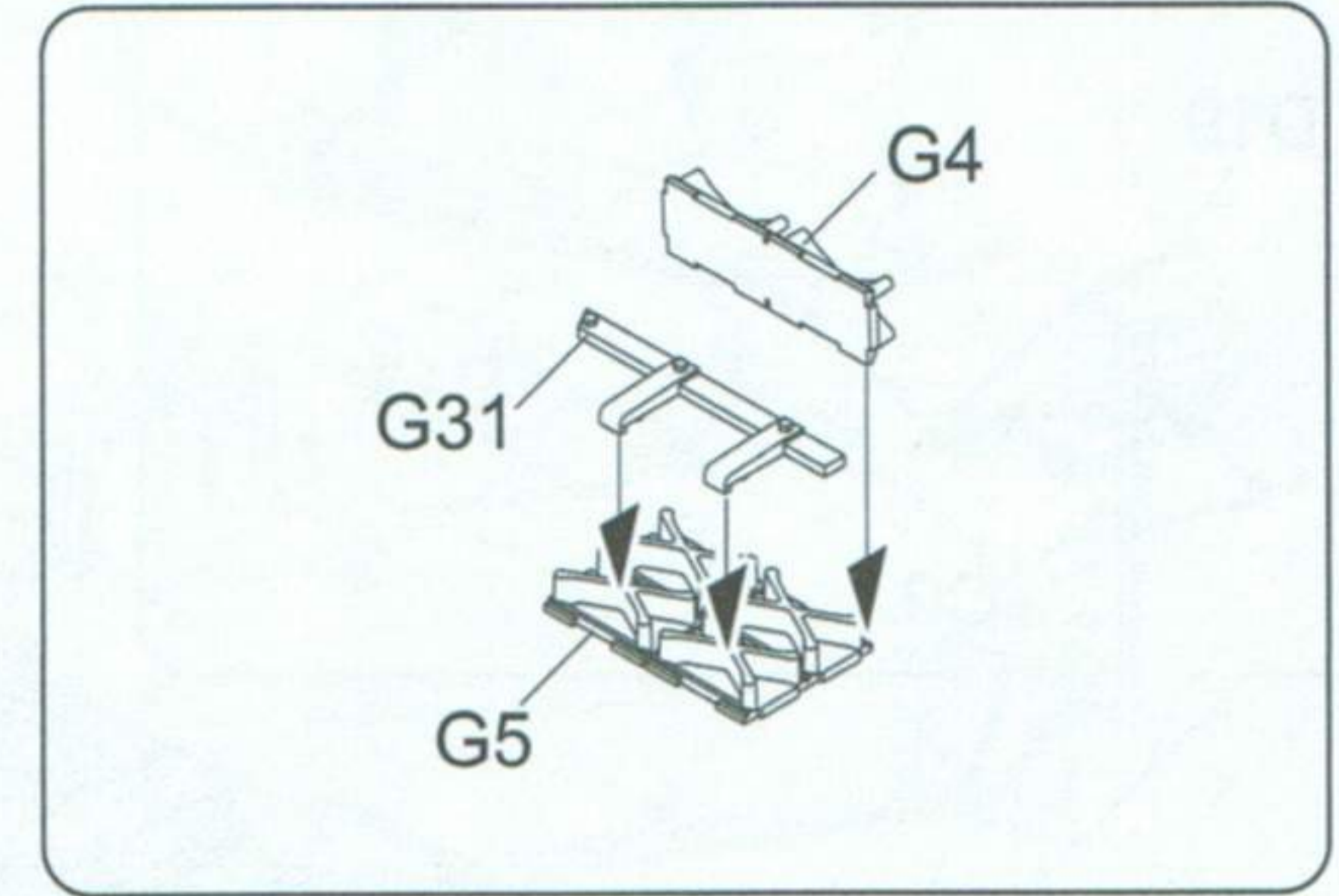
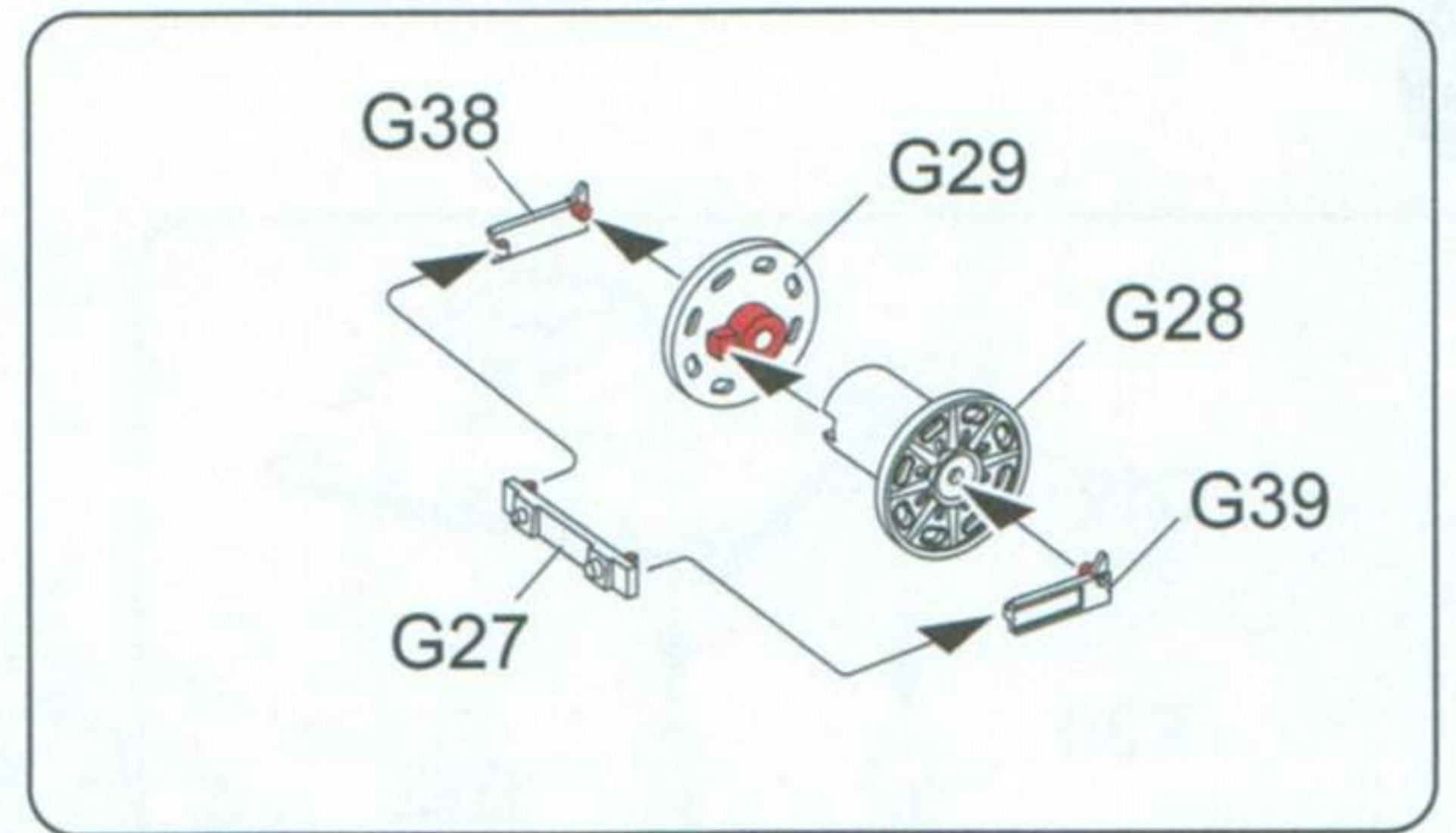
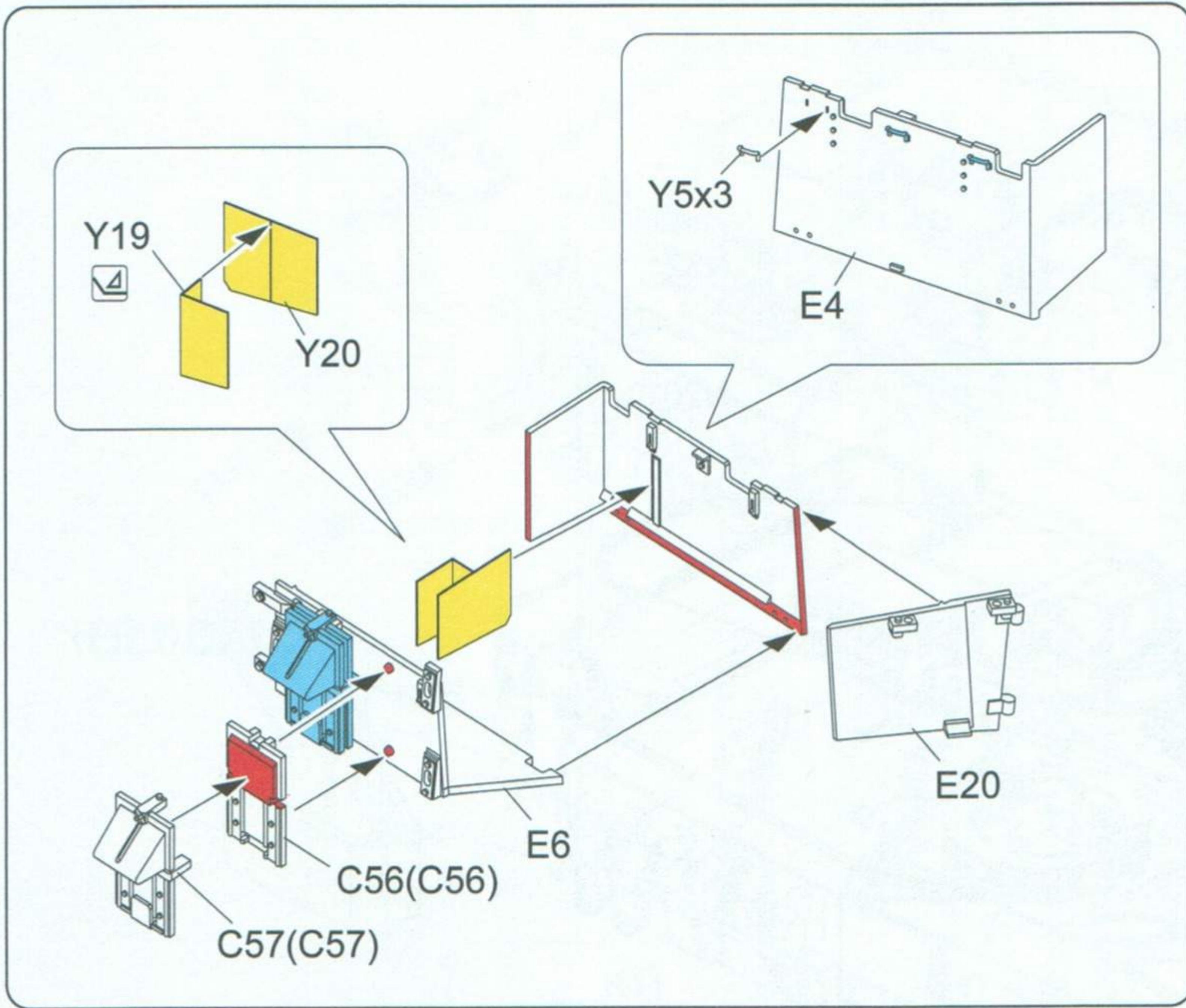
25



26

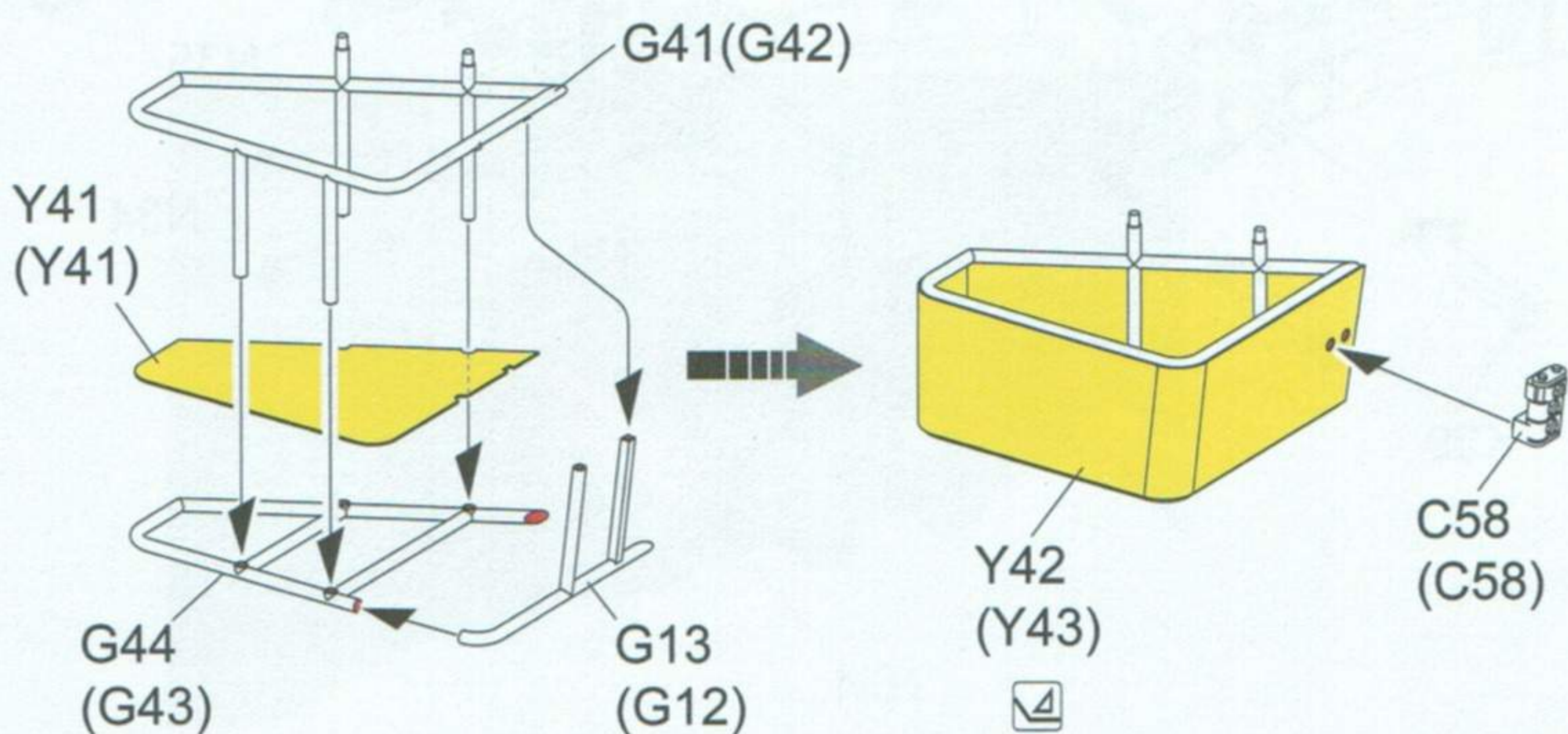




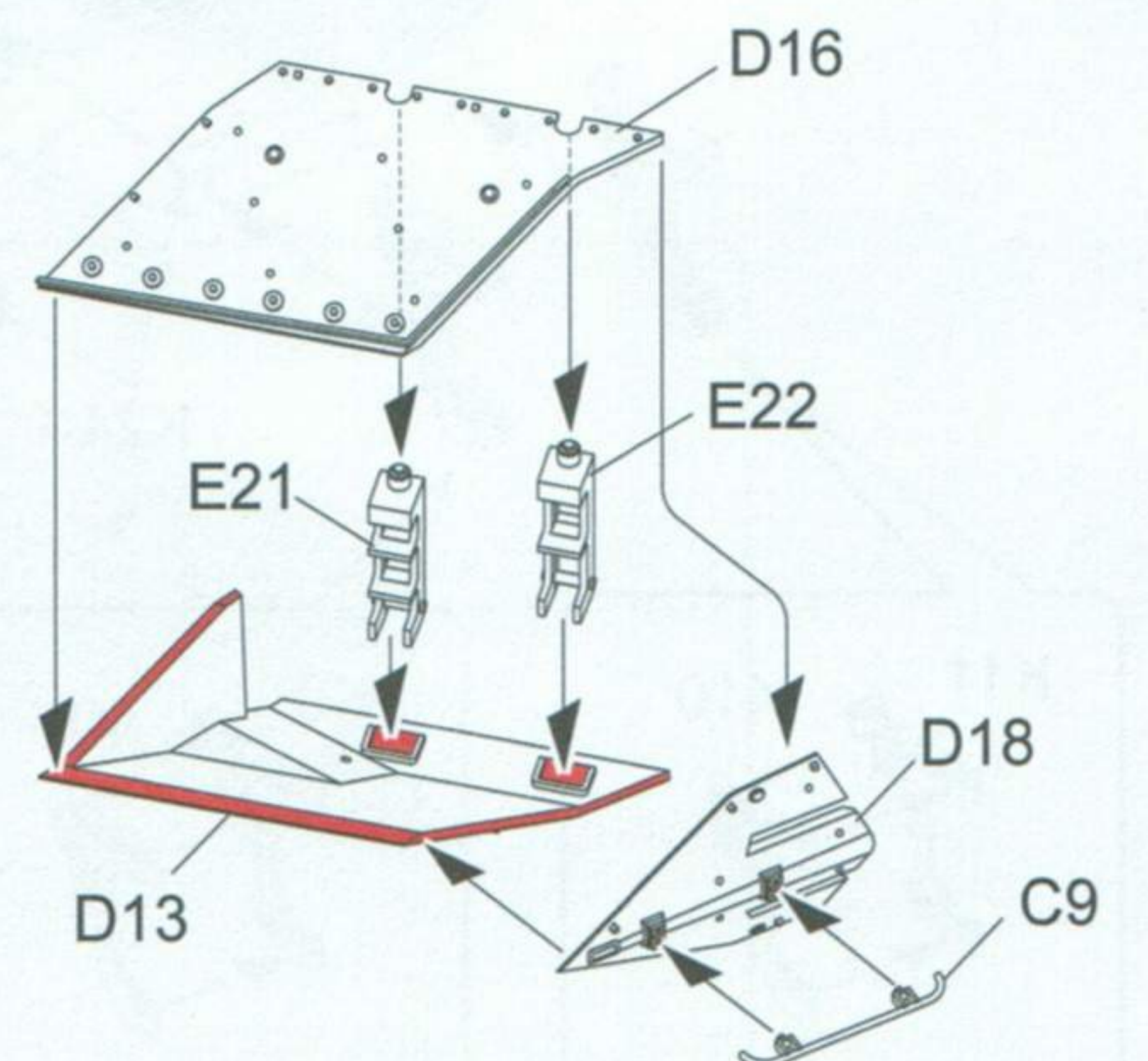


MAKE2  
制作2组

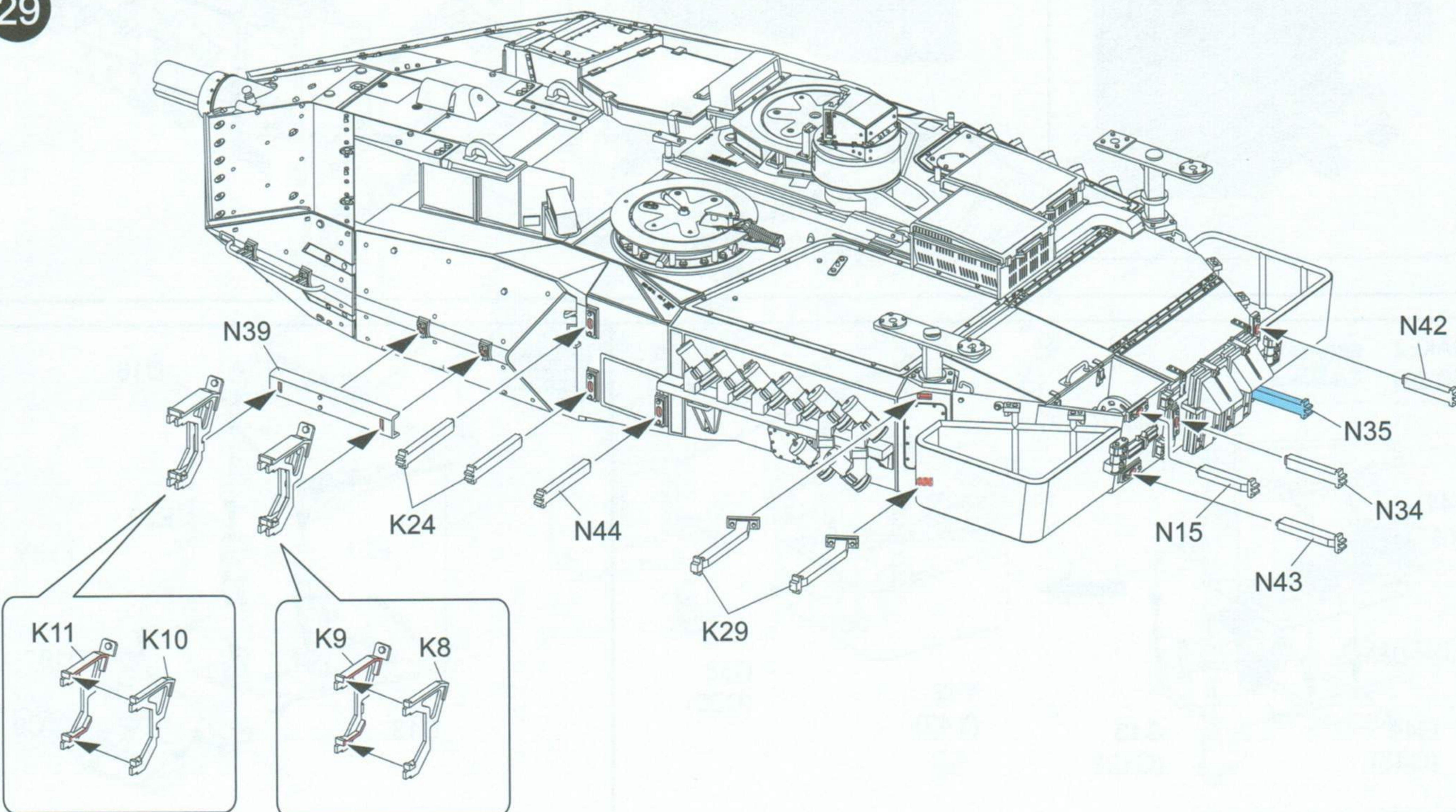
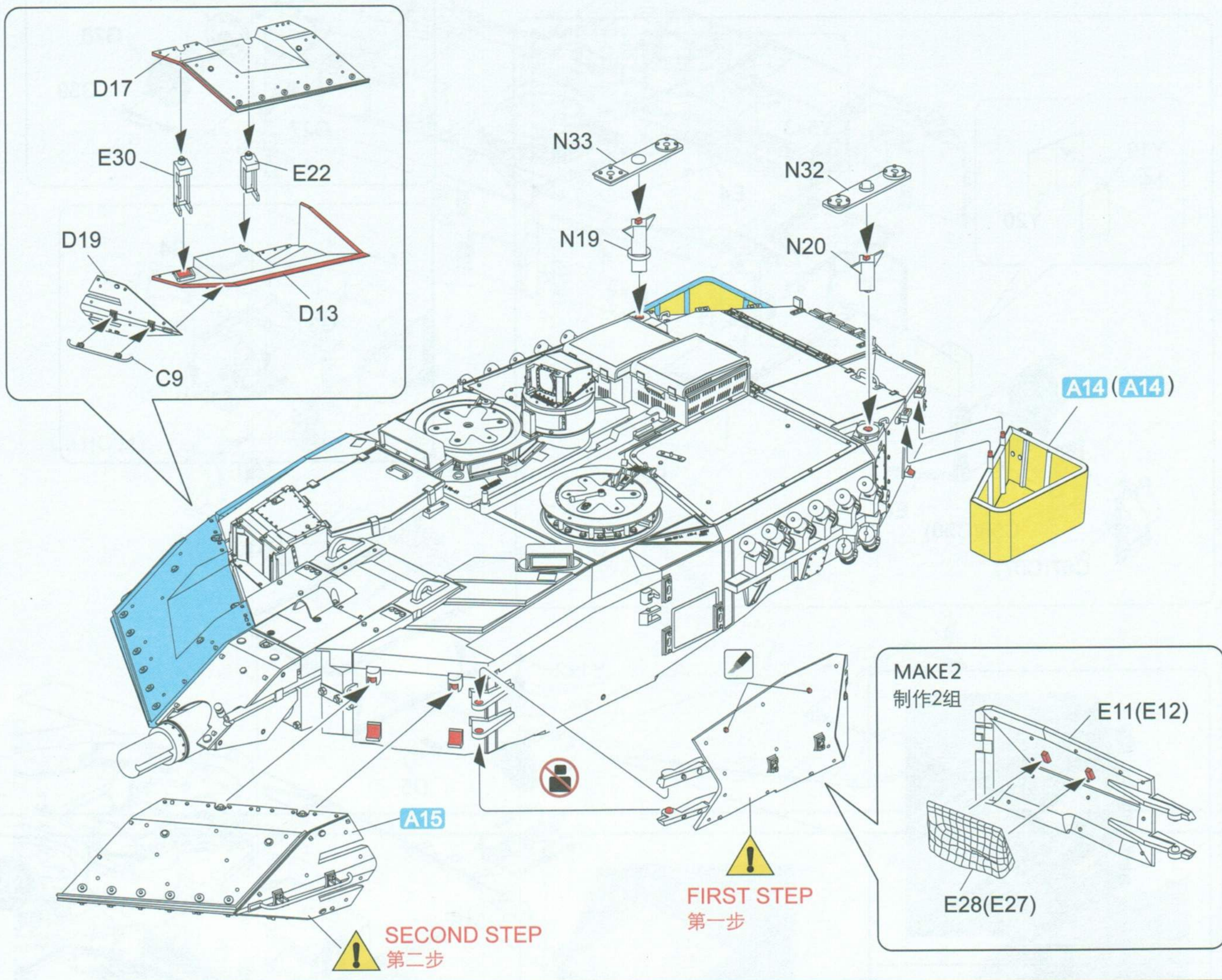
**A14**



**A15**

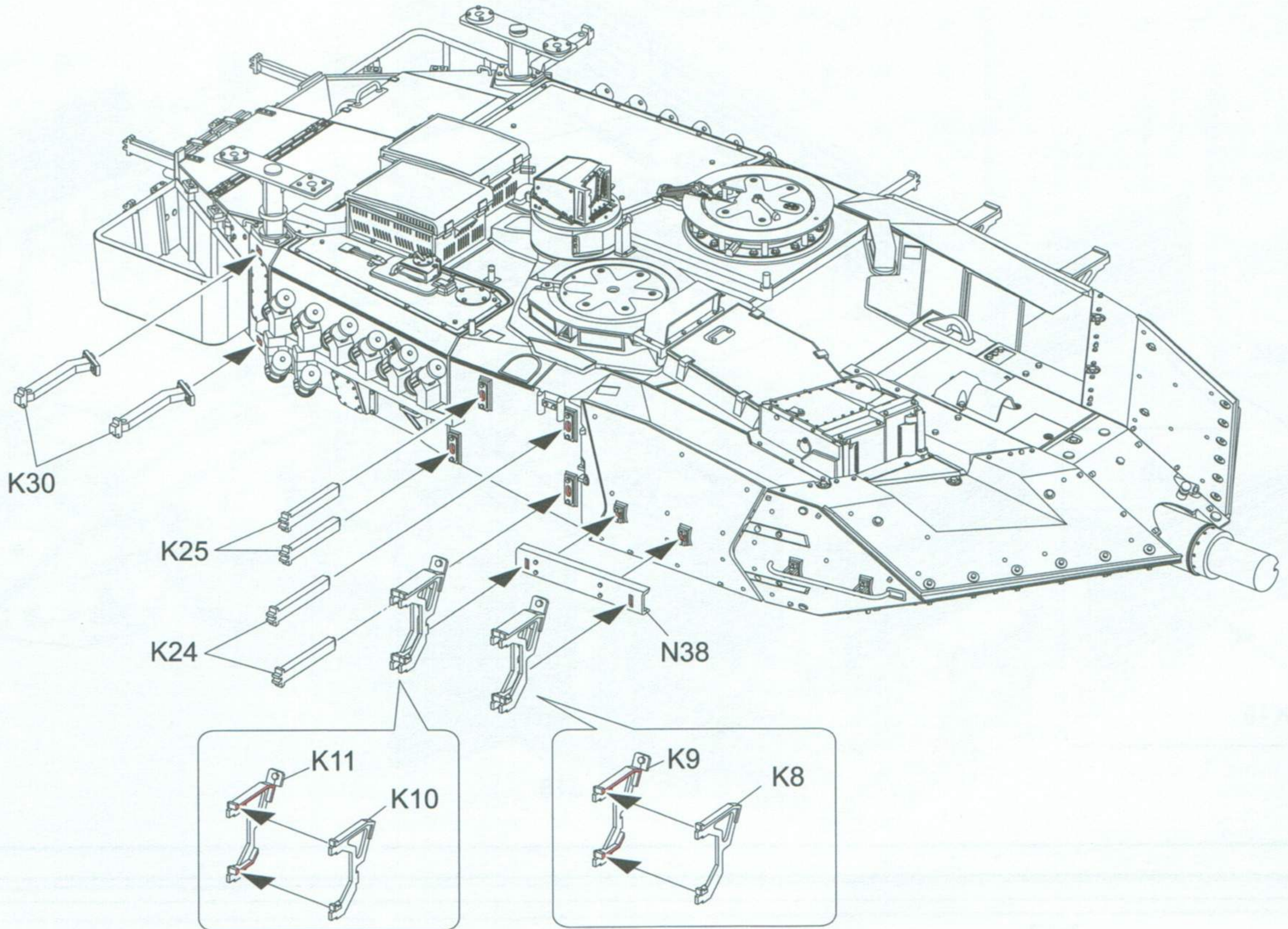




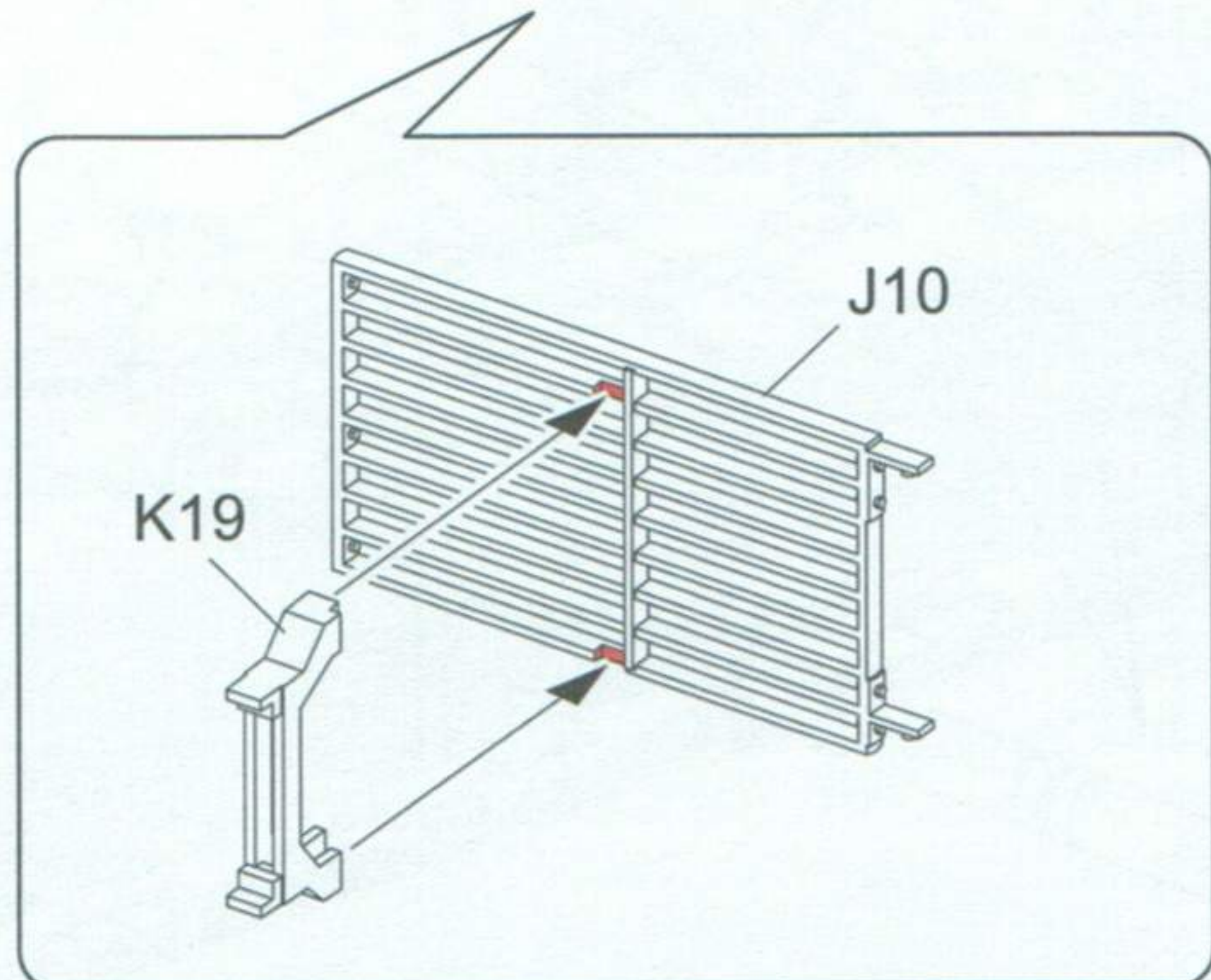
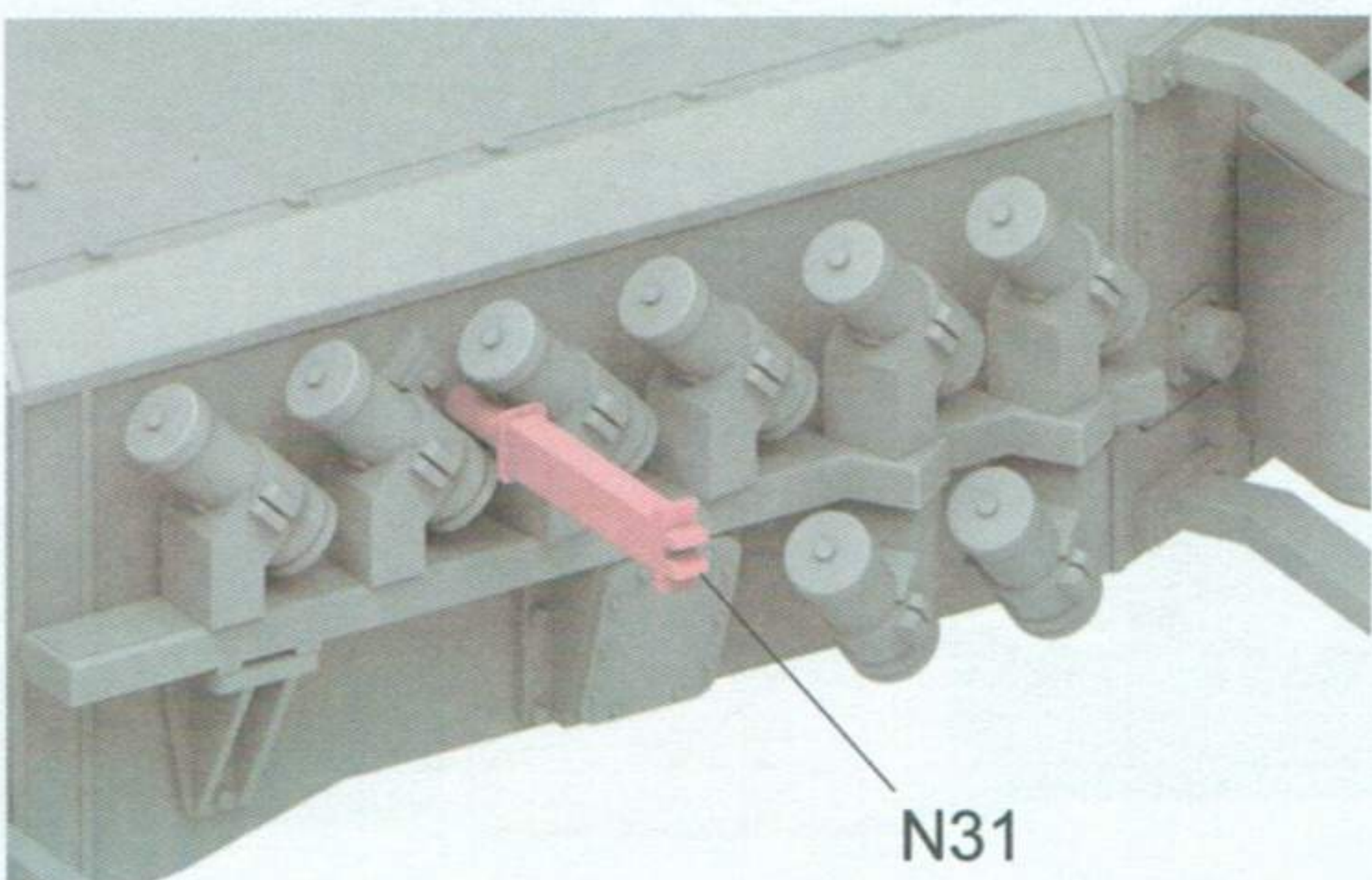
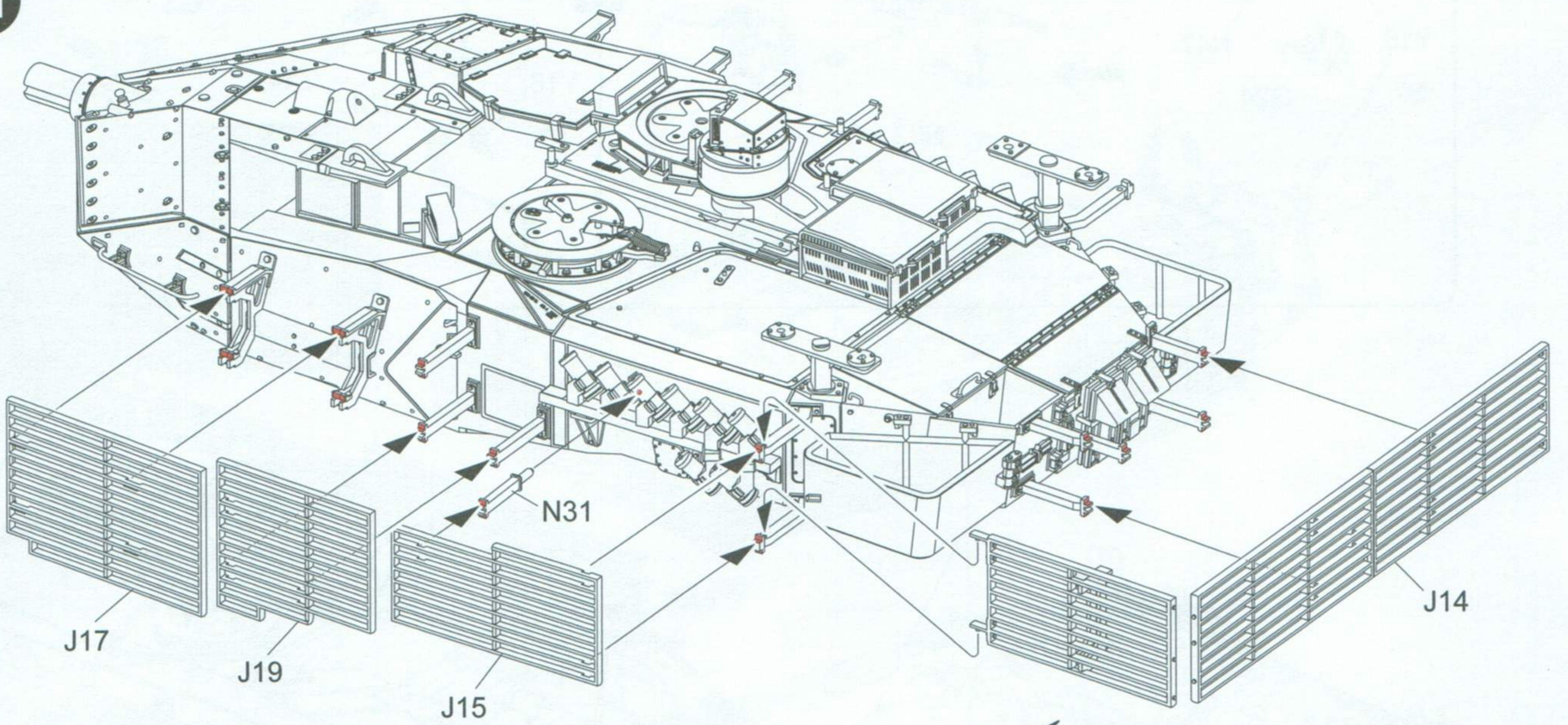




30

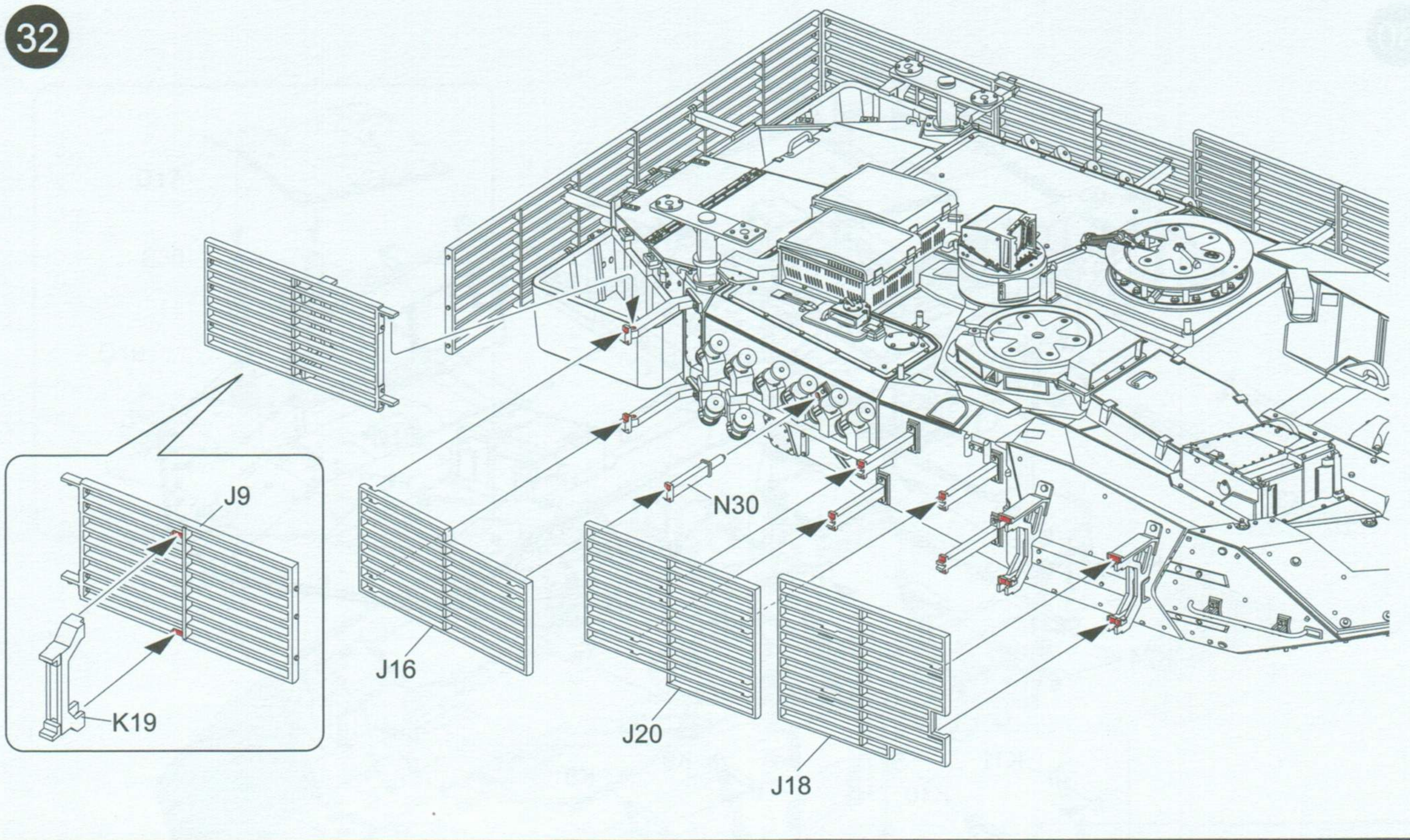


31

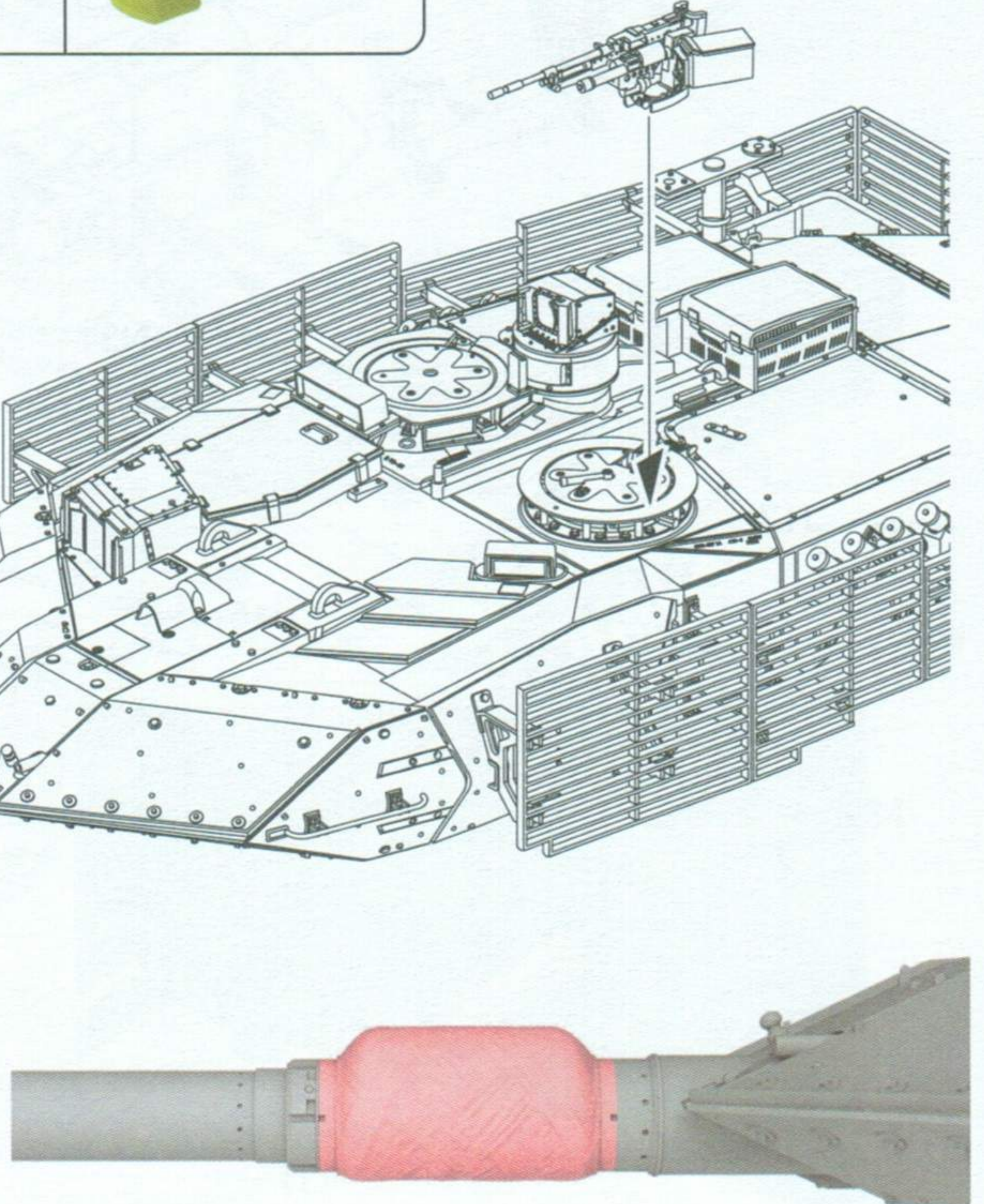
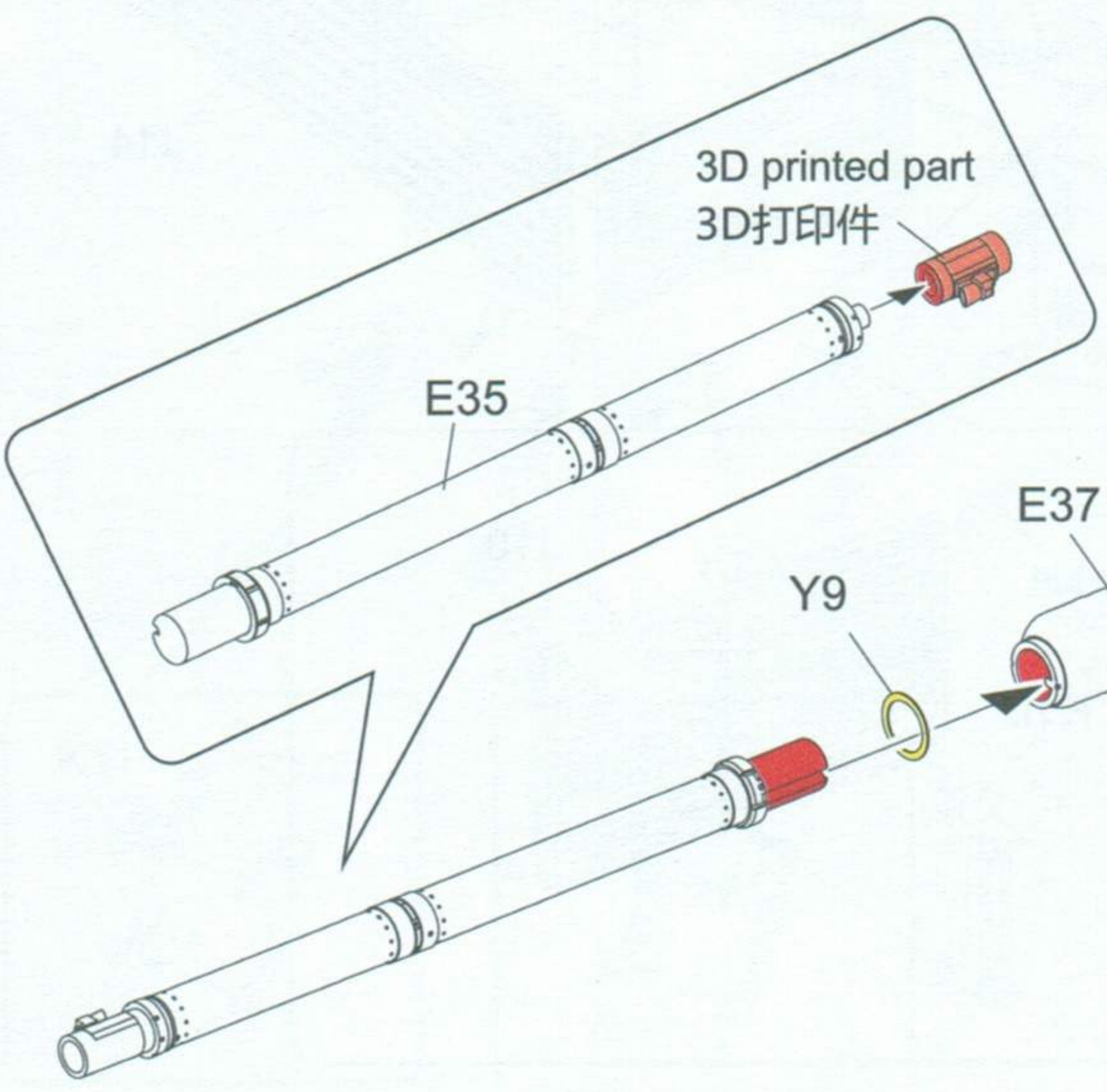
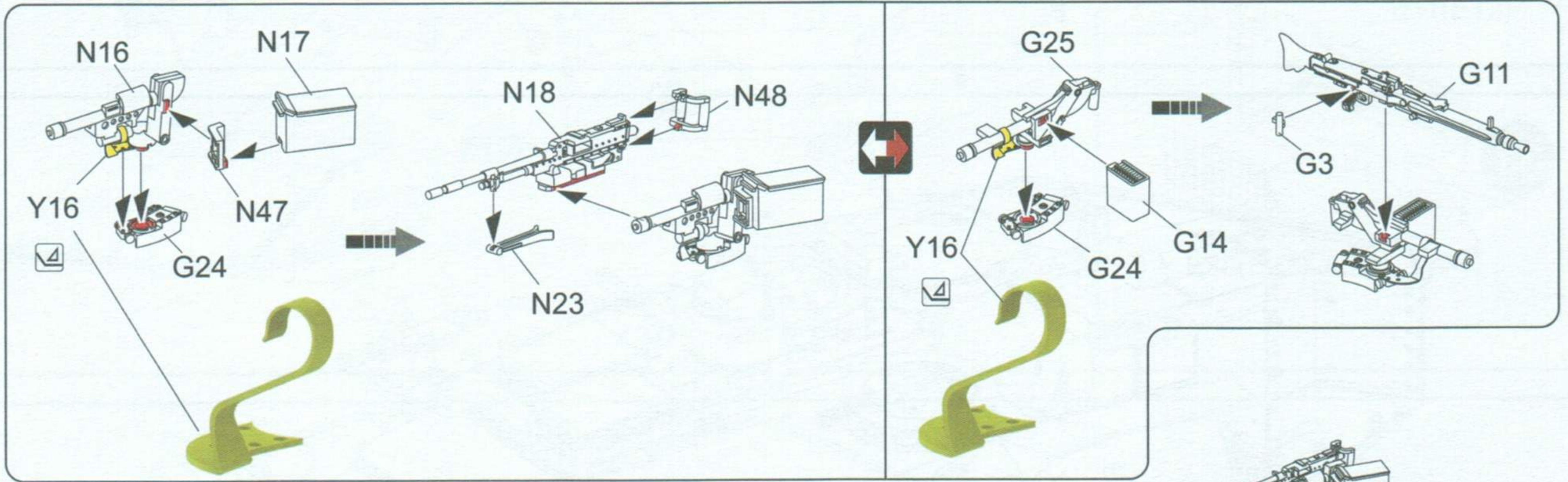




32

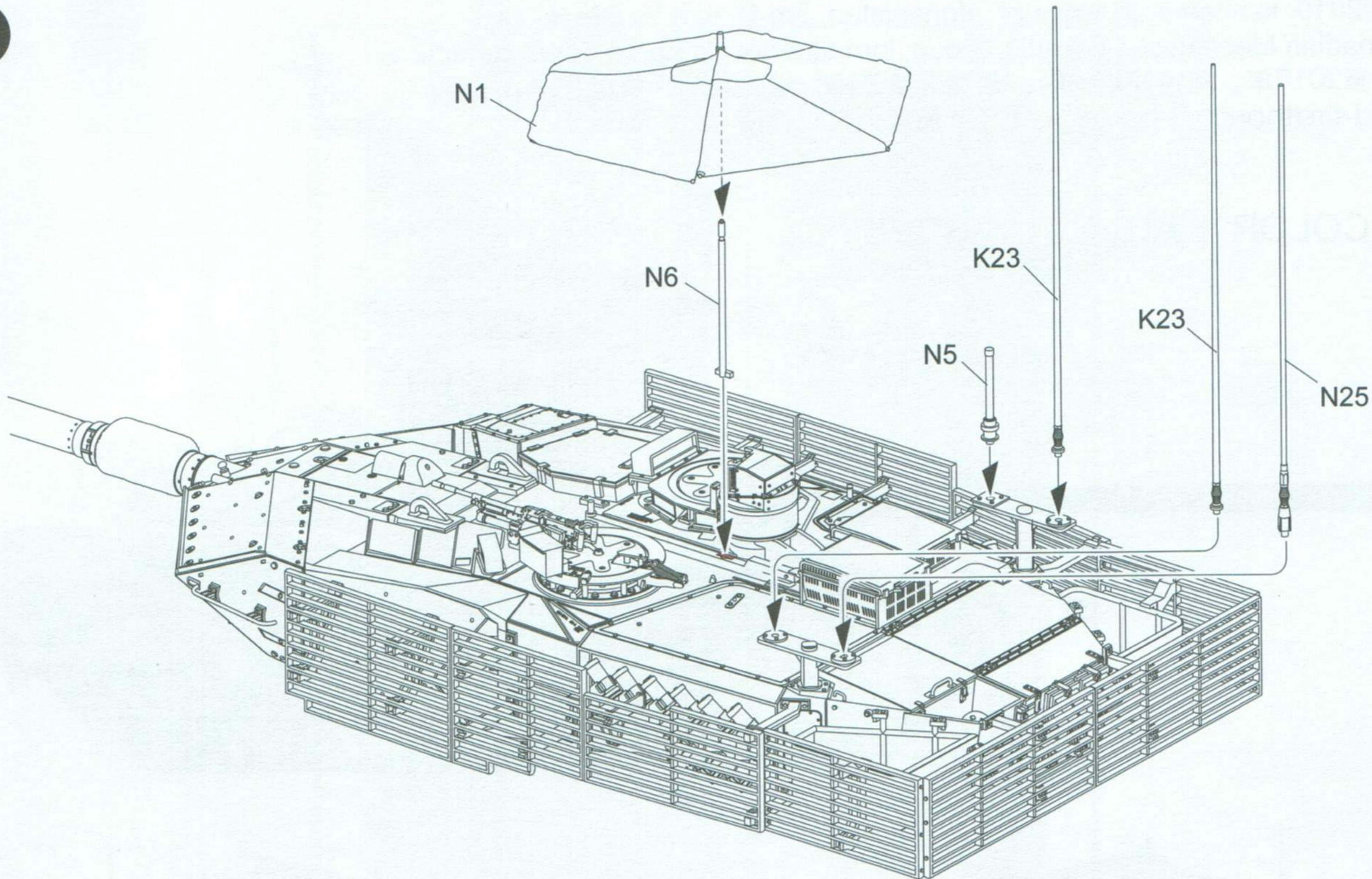


33

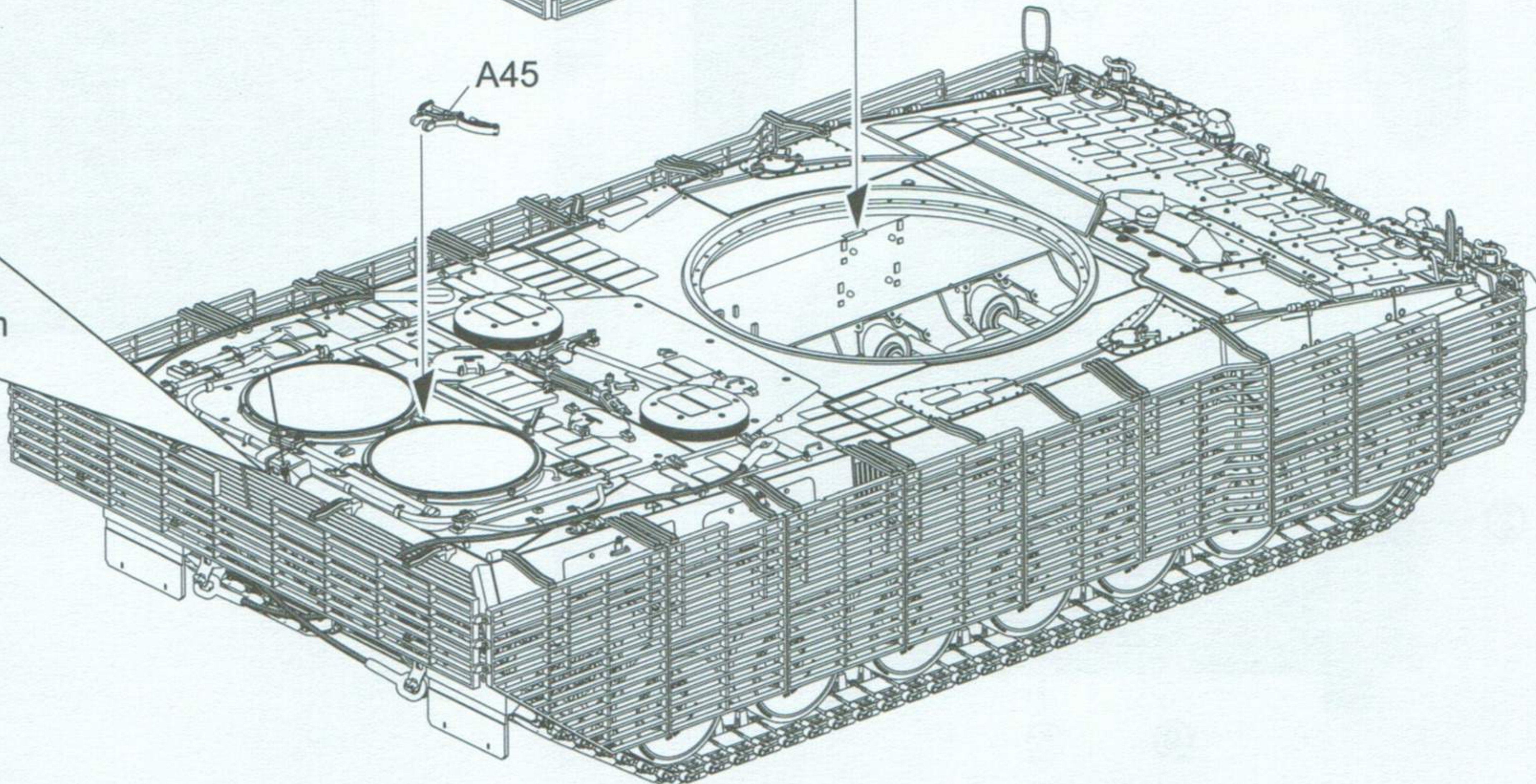
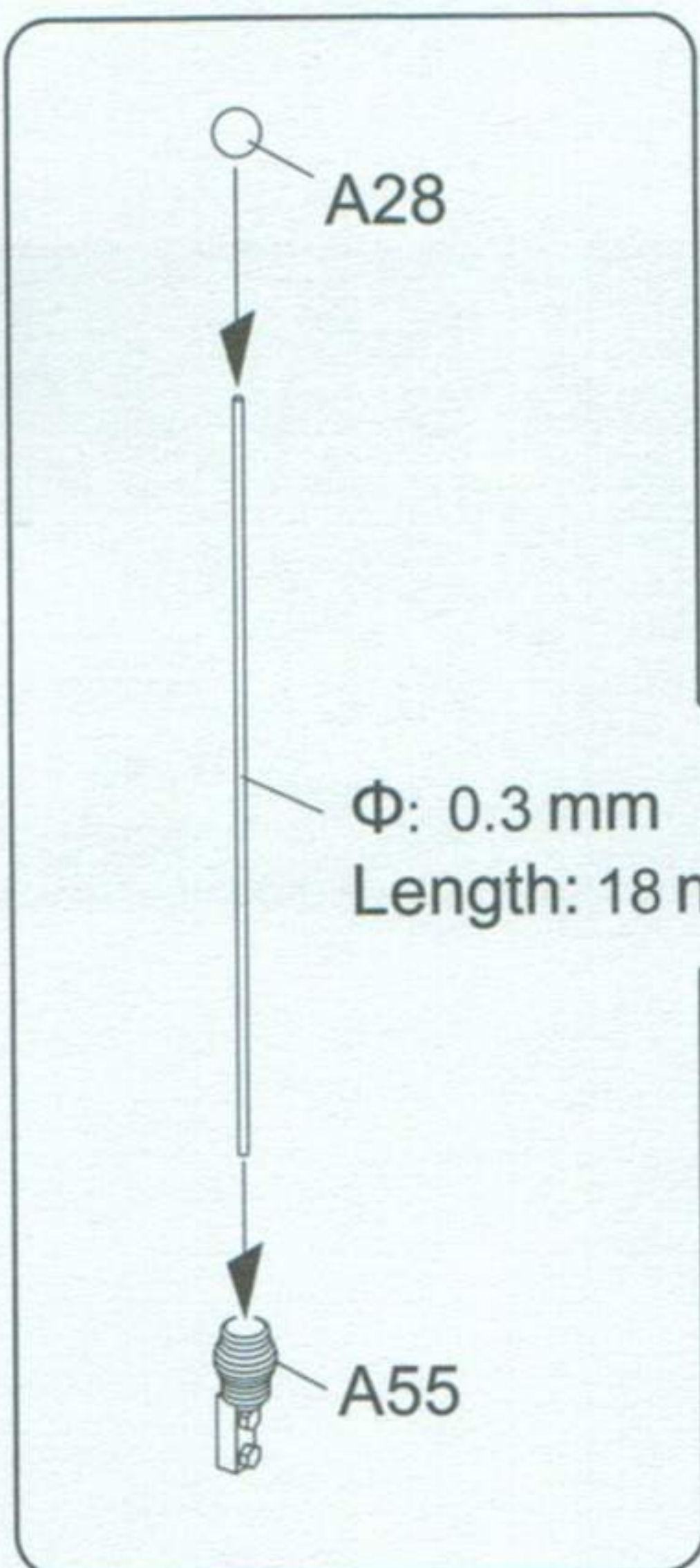
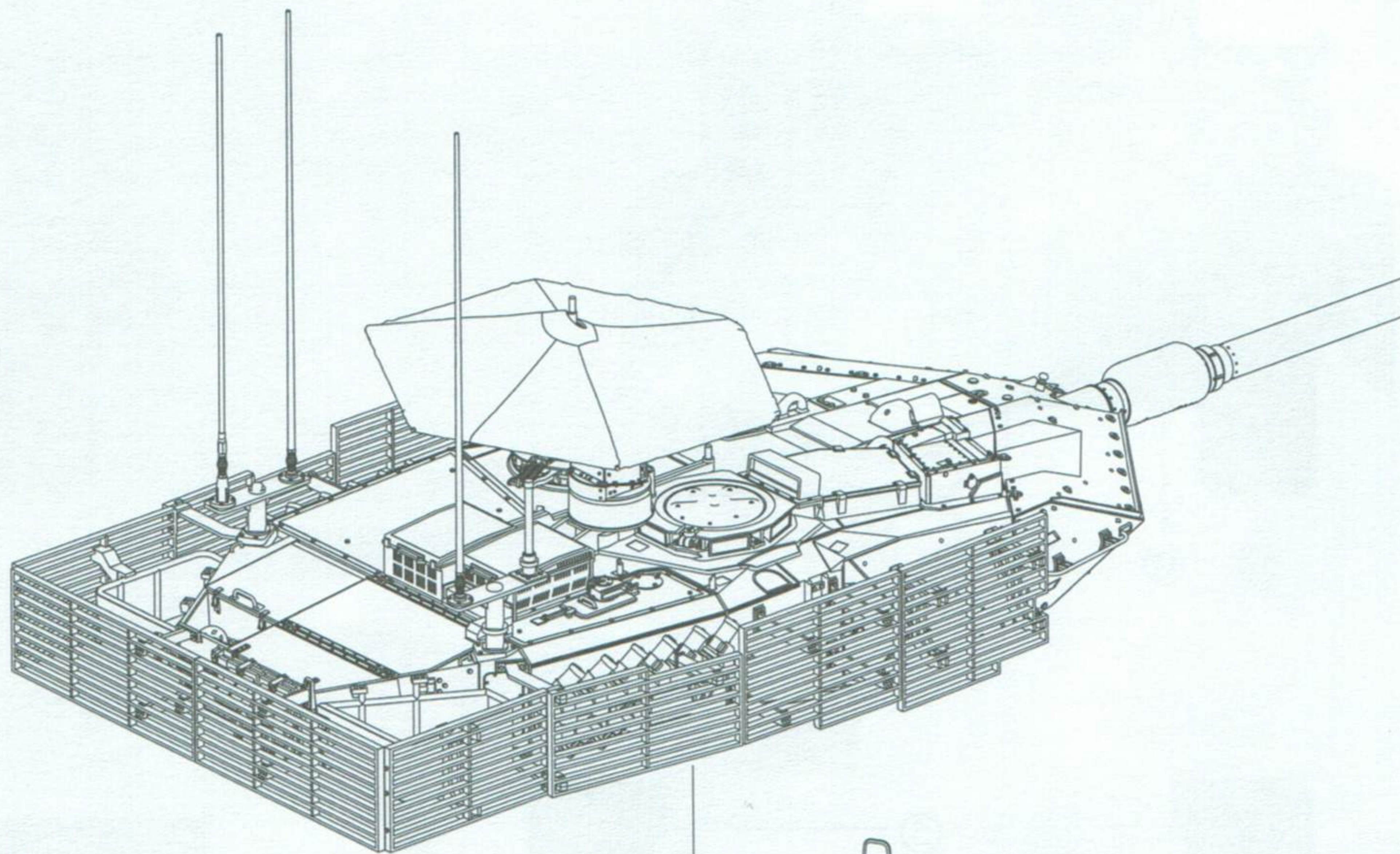
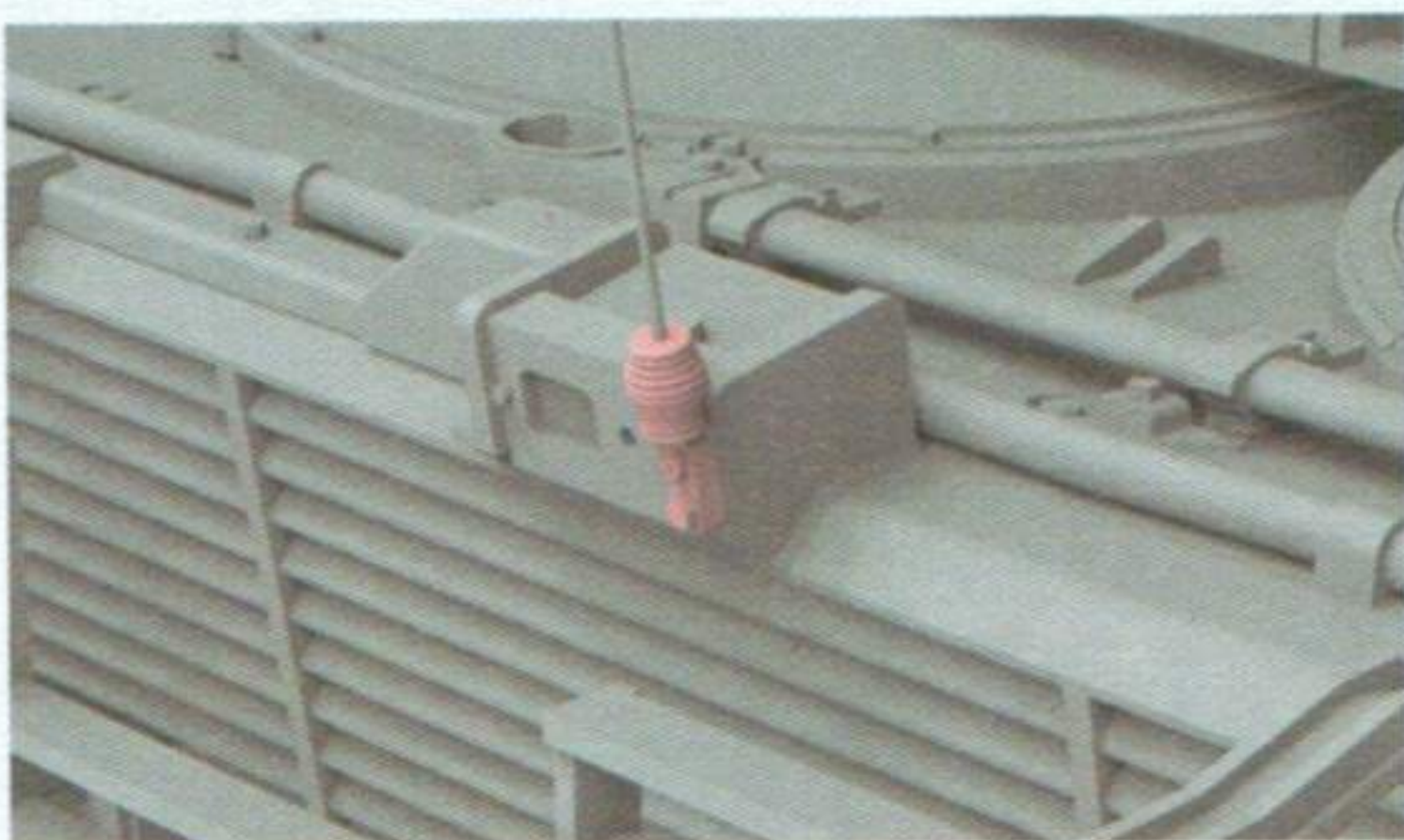




34



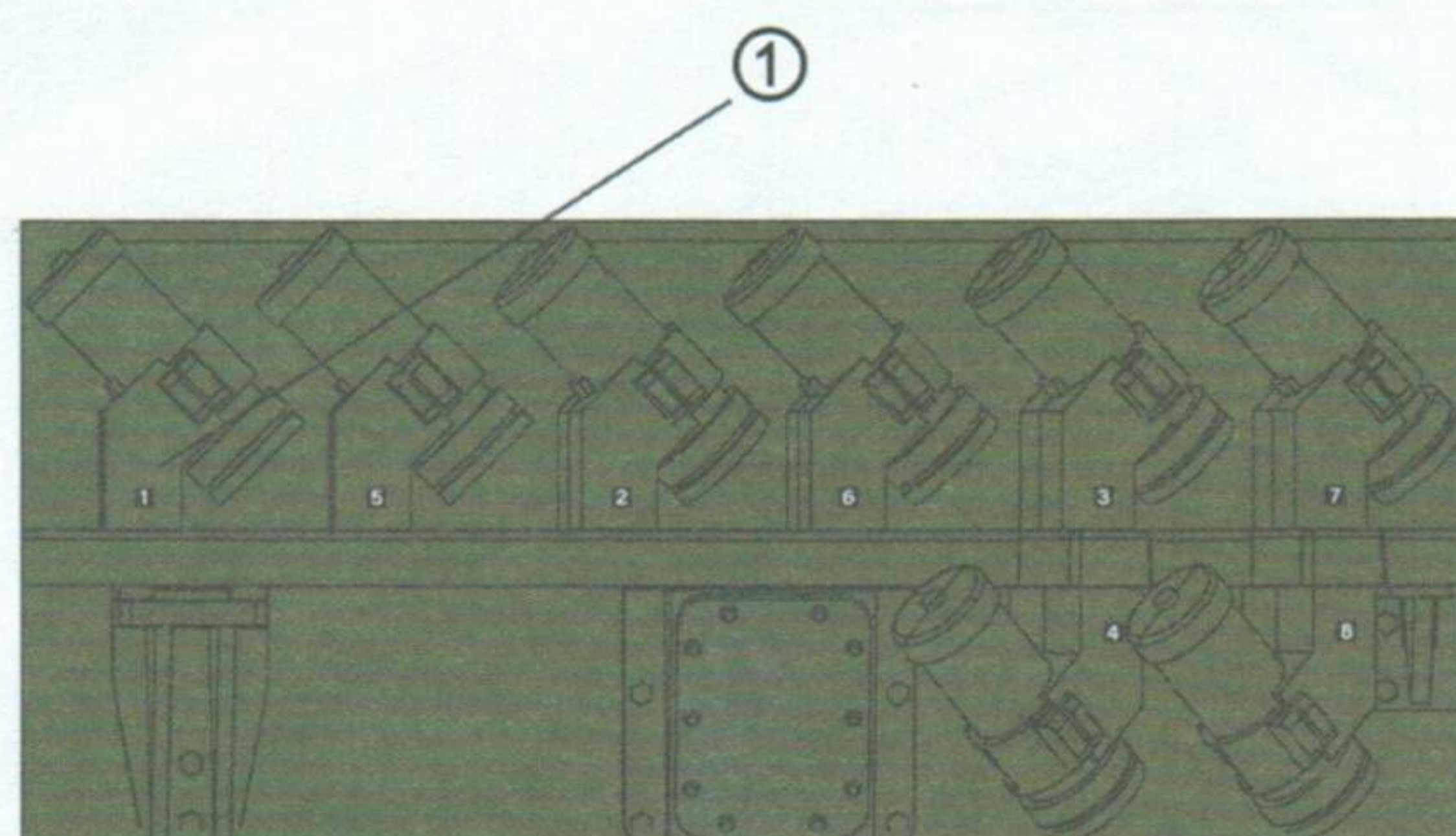
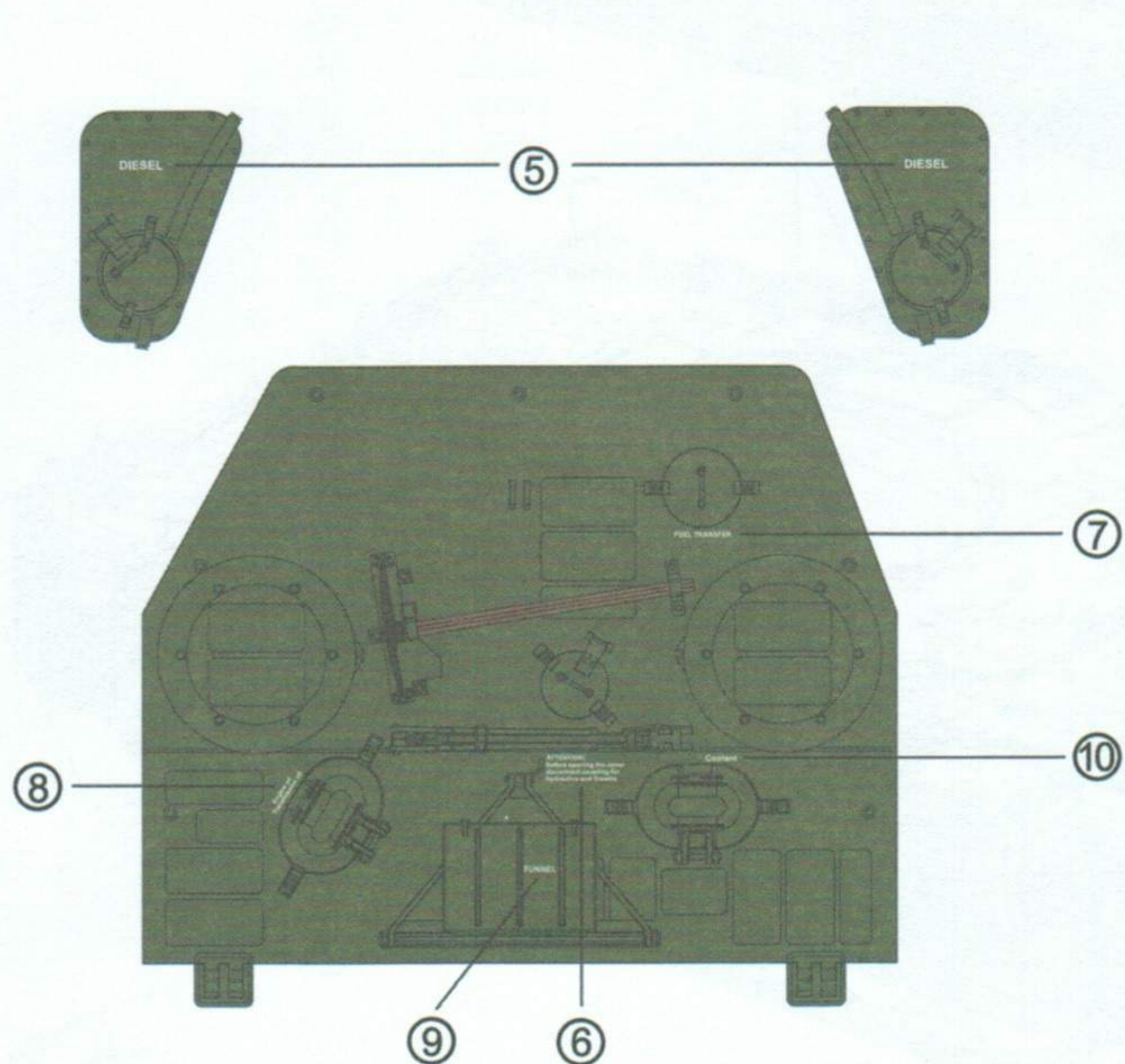
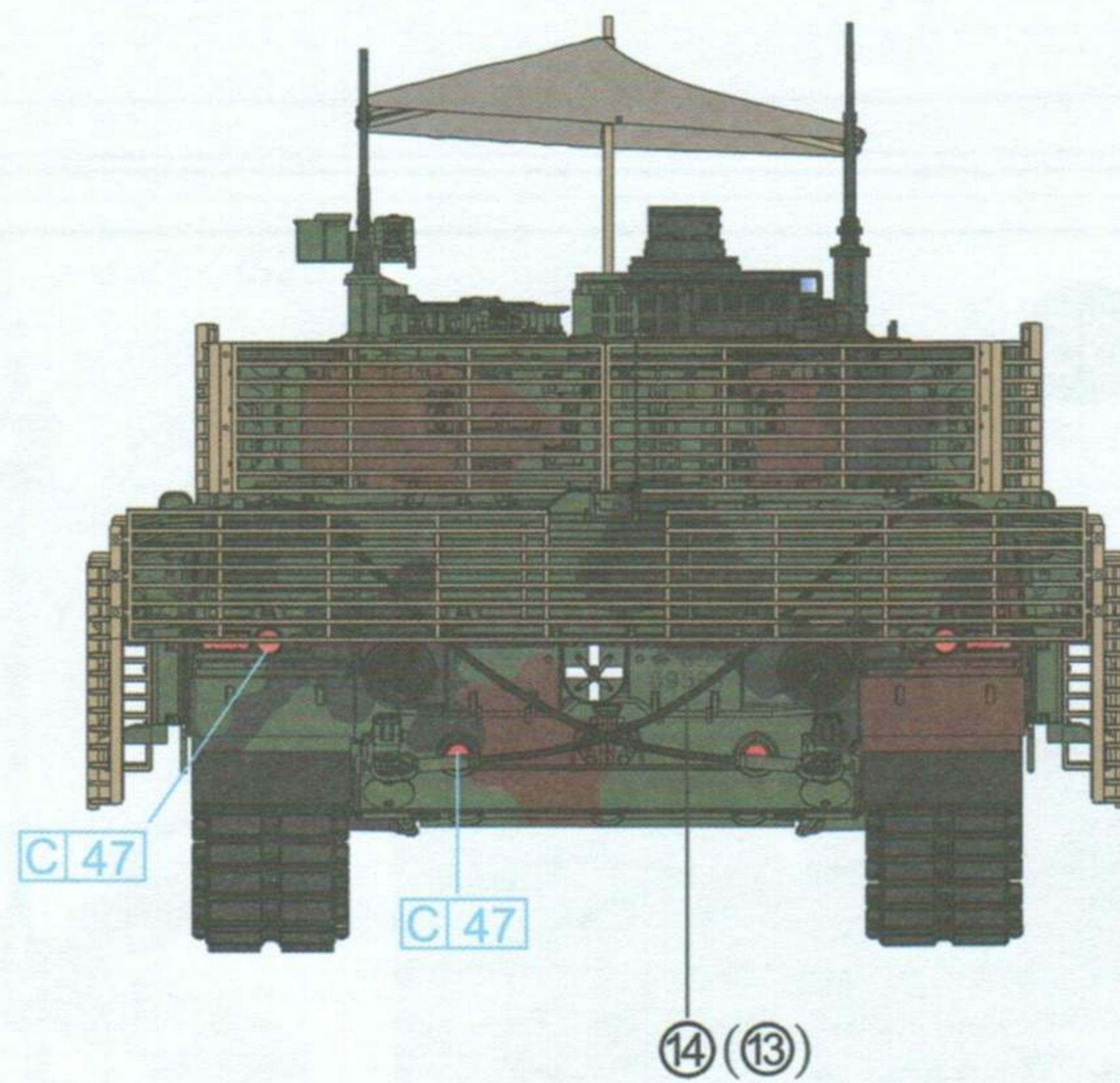
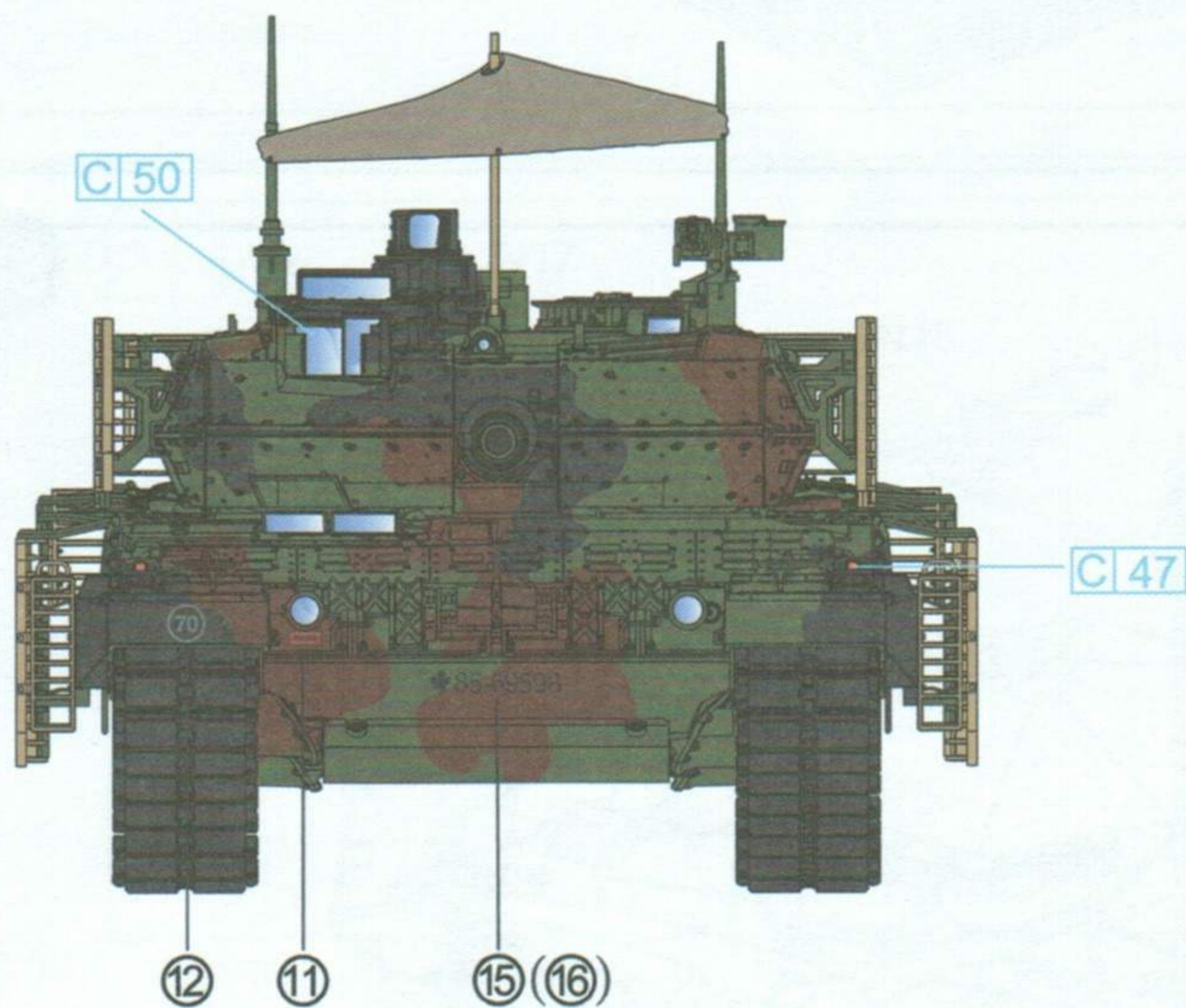
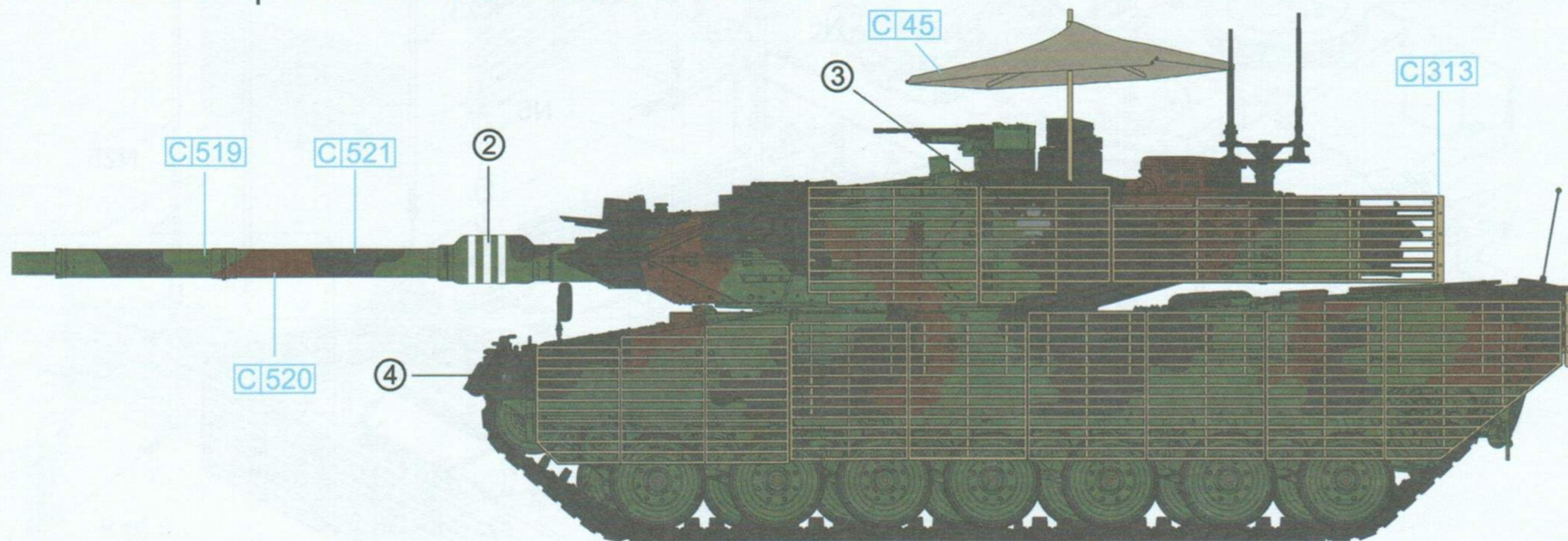
35



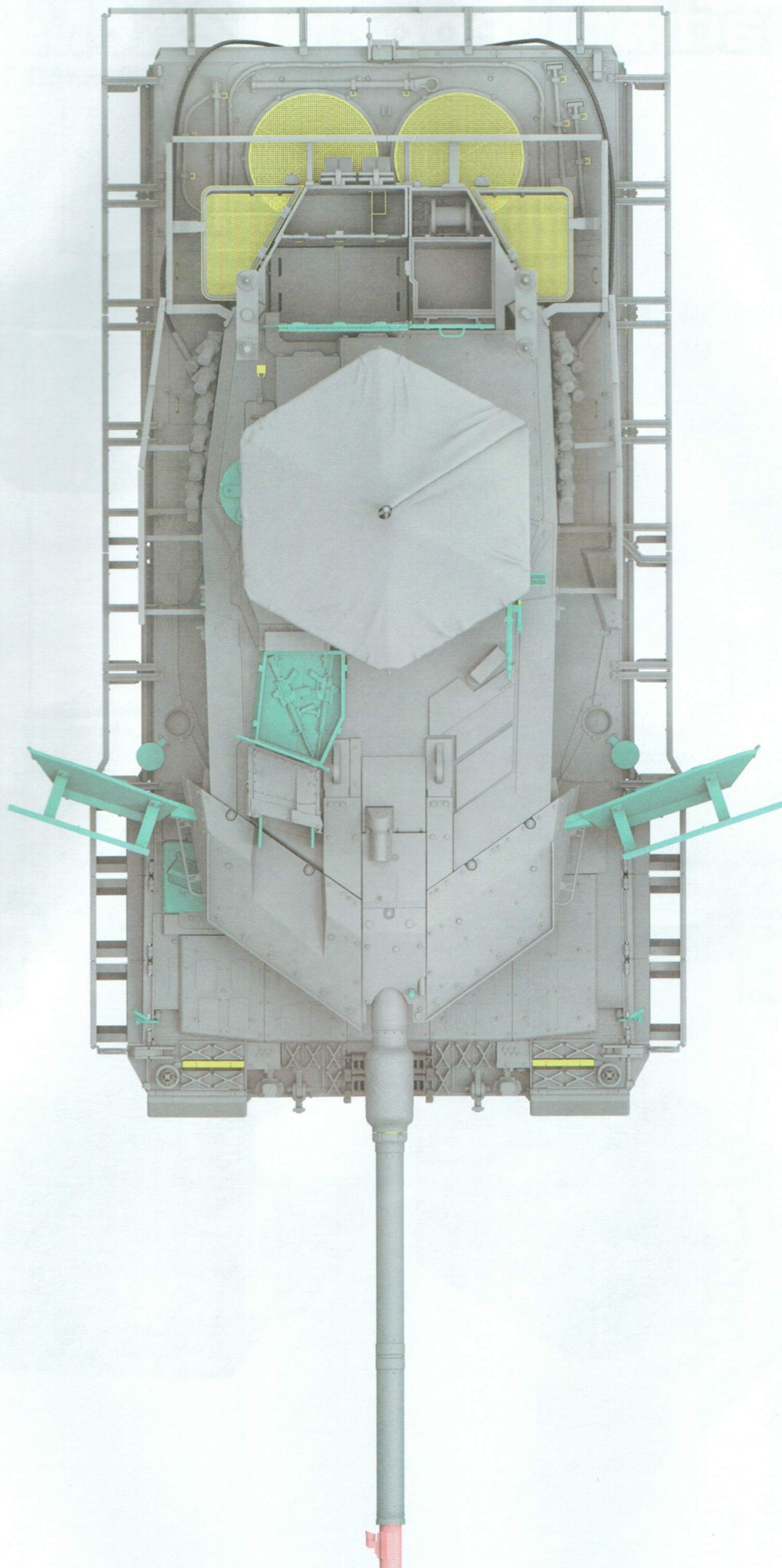


2007/2010, kandahar province of afghanistan, 3rd Canadian Division's ,  
 1 Canadian Mechanized Brigade Group, lord strathona's horse (royal canadians)  
 2007至2010年, 阿富汗坎大哈, 加拿大第三师, 第一加拿大机械化旅,  
 "lord strathona 's horse" (皇家加拿大人) 兵团

MR.COLOR | AQUEOUS HOBBY COLOR



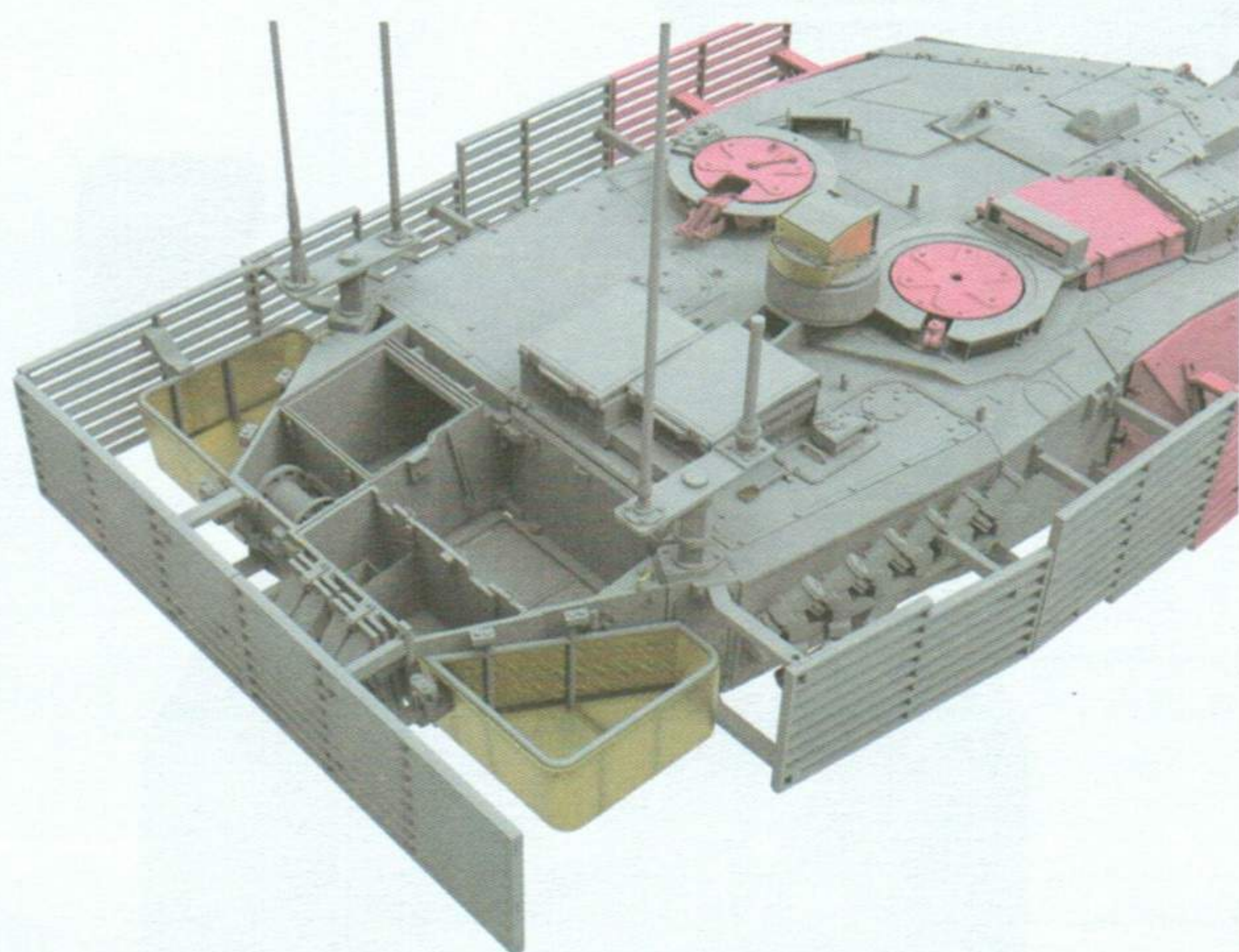
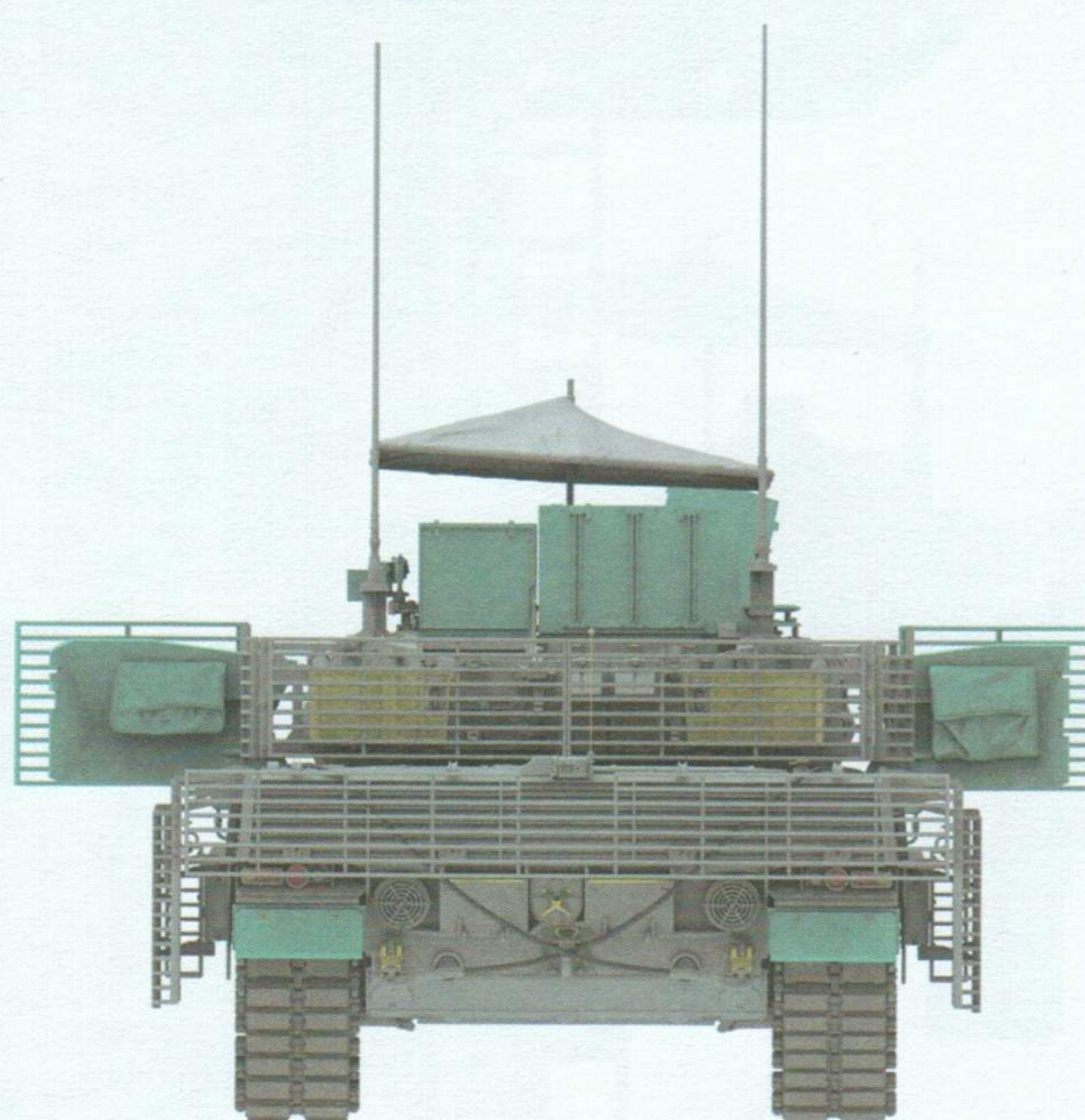
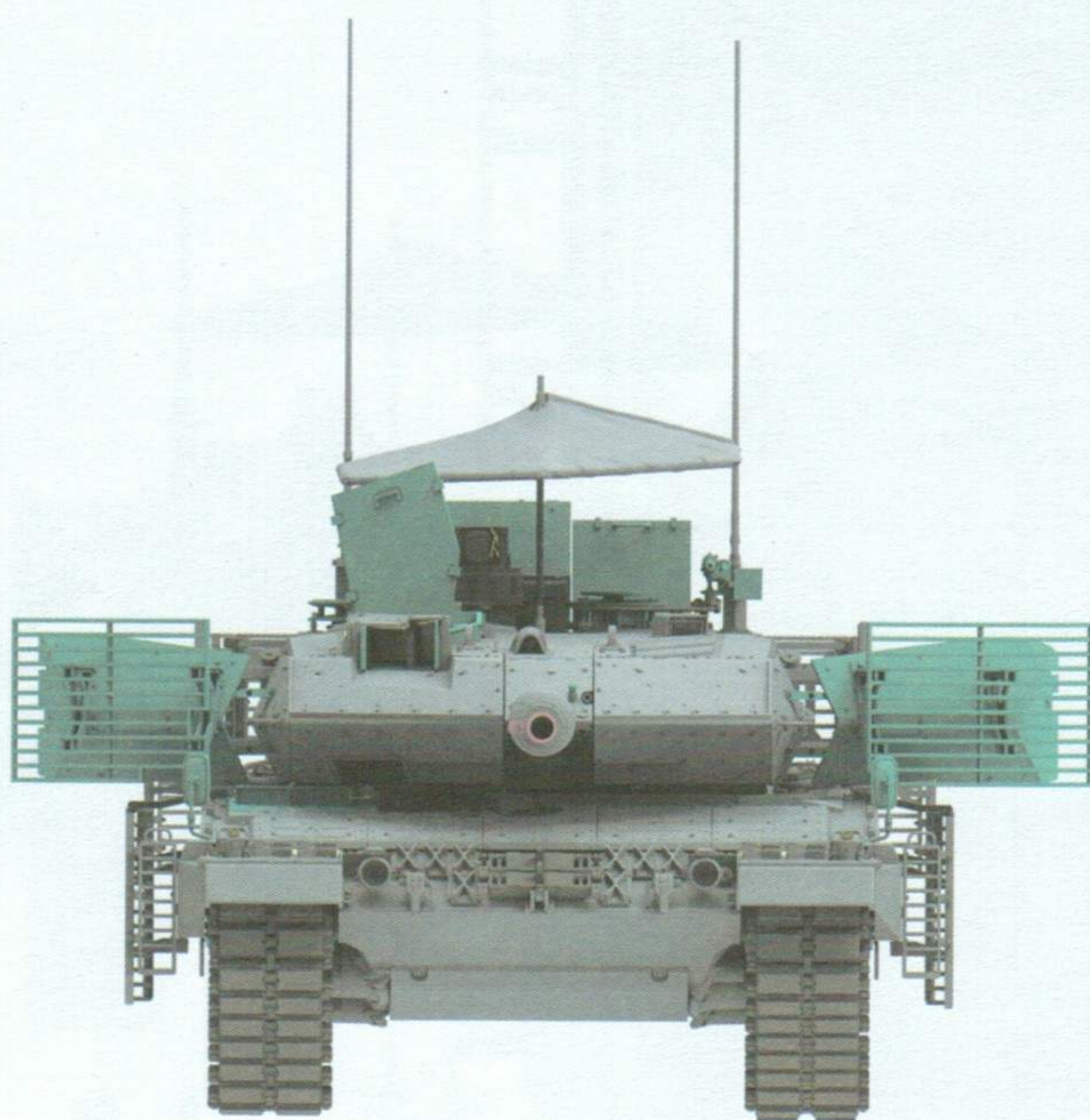
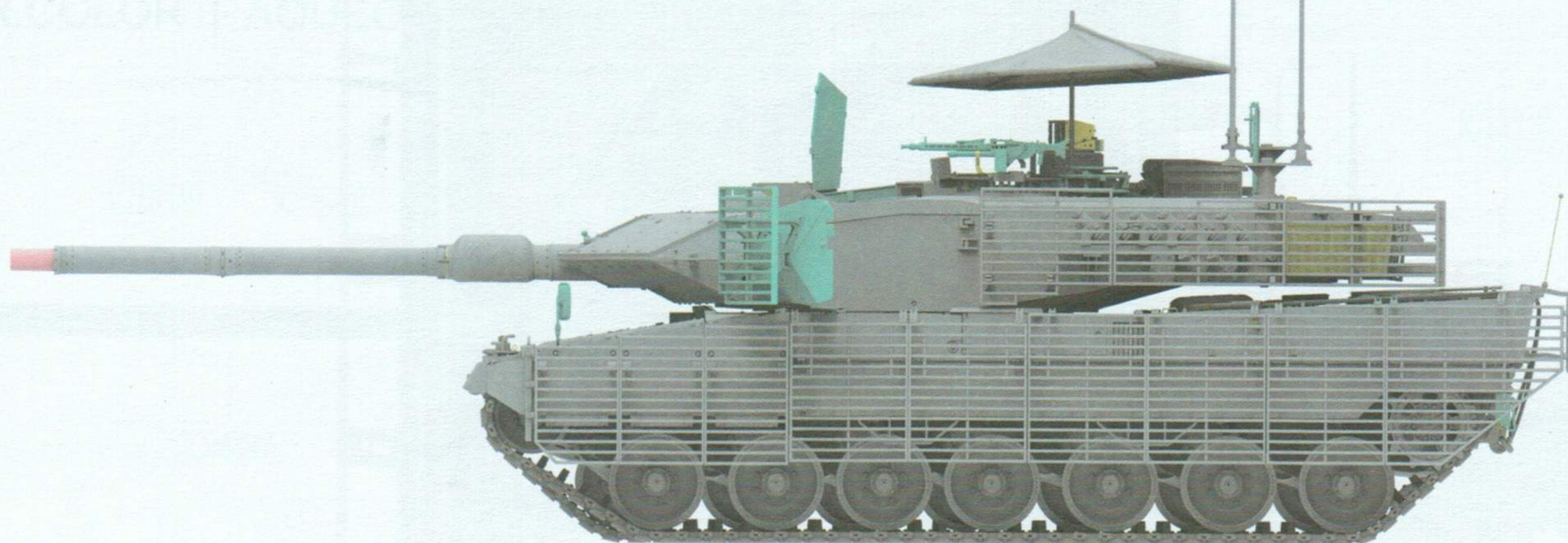






# Canadian Leopard 2A6M CAN

WITH WORKABLE TRACK LINKS



1/35 SCALE  
**5076**  
Military Miniature Series

© RYEFIELD MODEL MADE IN CHINA

**RFM**

RYEFIELD MODEL®

香港麦田模型玩具有限公司

NO.41-47 MARBLE ROAD NORTH POINT, HONG KONG

RM909-9/F, WORKINGBERG COMMERCIAL BUILDING

DATTO