



### ASSEMBLY ICONS



OPTIONAL  
选择



CEMENT  
膠水



DO NOT CEMENT  
不使用膠水



INSTANT CEMENT  
瞬間接著劑



BEND  
彎折



x2  
製作2組



OPEN HOLE  
鑽孔



REMOVE  
切除



BE CAREFUL  
注意



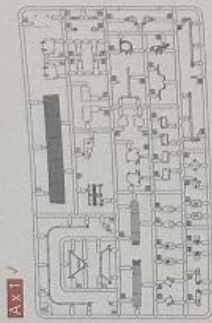
APPLY DECAL  
貼上水貼紙

### CAUTION!

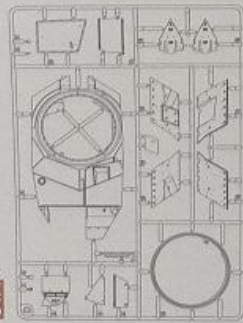
Read carefully and fully understand the instructions before commencing assembly.  
Supervising adult should also read the instructions if a child assembles the model.  
When you used glue or paint, do not use near a naked flame, and use in a well-ventilated room.  
When assembling this kit, tools including knives are used. Extra care should be taken to avoid personal injury.  
Read and follow the instructions supplied with paints and/ or cement. Use plastic cement and paints only.  
Keep out of reach of small children. Children must not be allowed to suck any part, or pull vinyl bag over the head.

在裝配前仔細閱讀說明並完全理解。小孩裝配時需成人看護且需仔細閱讀說明。  
使用膠水和油漆時，應遠離火源並打開窗戶保持空氣流通。  
製作時請格外注意工具刀和零件的鋒利尖銳部分，避免對身體造成傷害。  
在使用膠水和油漆前仔細閱讀注意事項，按照說明正確使用膠水和油漆。  
請將本品放在兒童接觸不到的地方，套件中的塑膠包裝袋會對兒童造成窒息的危險。

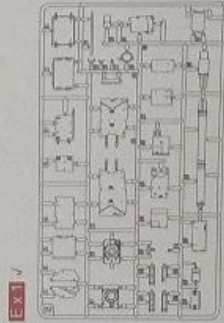
PARTS 部品图



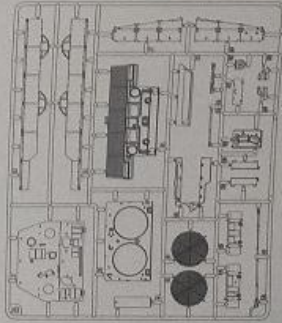
AX1 ✓



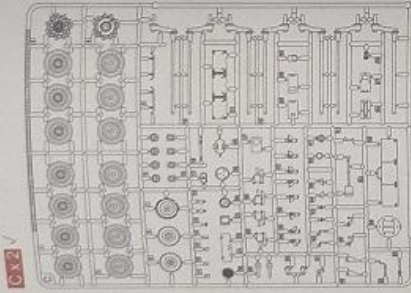
DX1 ✓



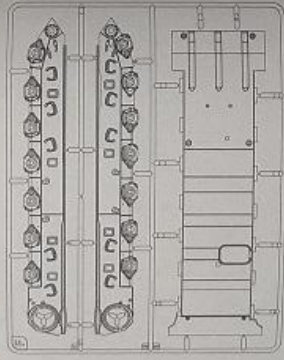
EX1 ✓



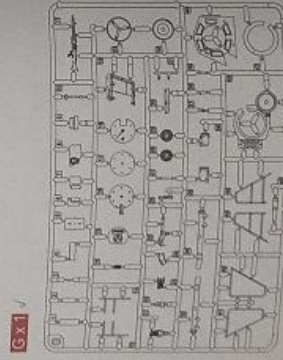
BX1 ✓



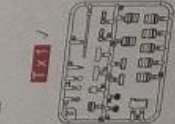
DX2 ✓



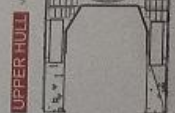
FX1 ✓



GX1 ✓



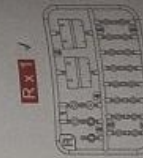
TX1 ✓



UPPER HULL ✓

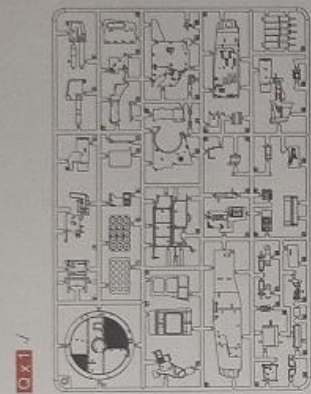


TORRET ✓

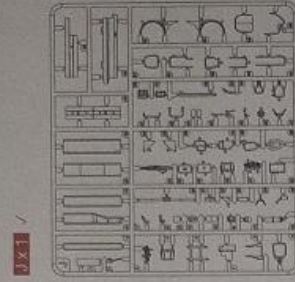


PX1 ✓

PARTS 部品图



OX1 ✓



VX1 ✓

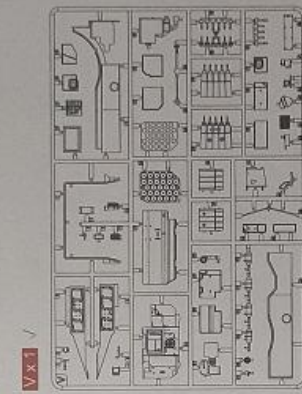


DC23 ✓

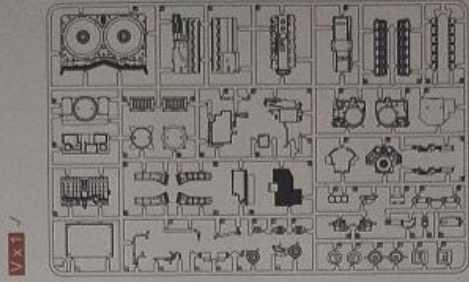


Cable 255mm ✓

Cable 18mm ✓



VX1 ✓



VX1 ✓



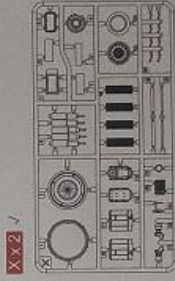
PX1 ✓



VX1 ✓



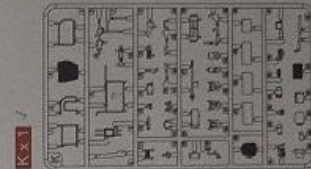
SX1 ✓



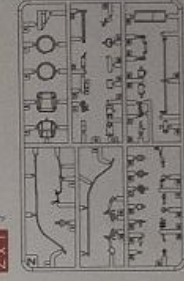
XX2 ✓



HX3 ✓

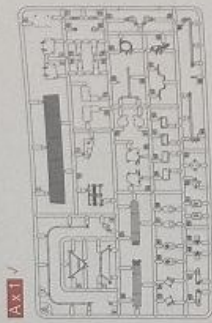


KX3 ✓

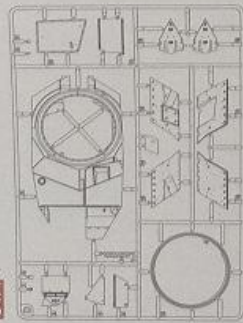


ZX1 ✓

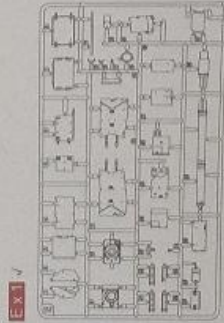
PARTS 部品图



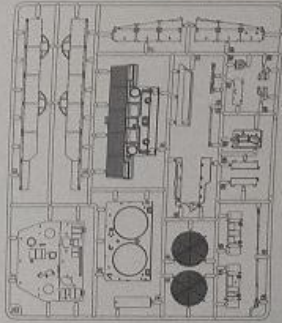
AX1 ✓



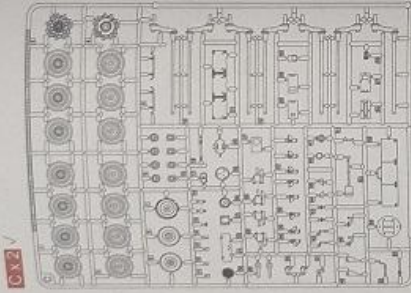
DX1 ✓



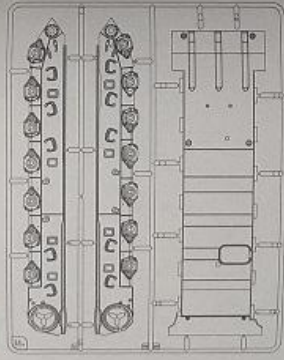
EX1 ✓



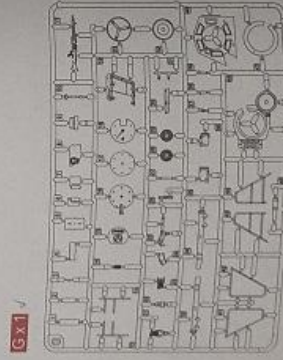
BX1 ✓



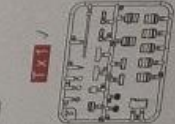
DX2 ✓



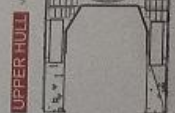
FX1 ✓



GX1 ✓



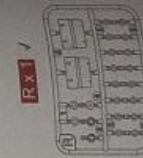
TX1 ✓



UPPER HULL ✓

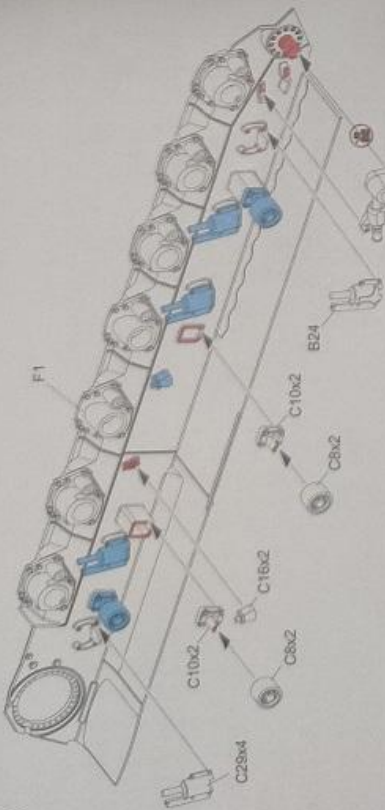


TORRET ✓

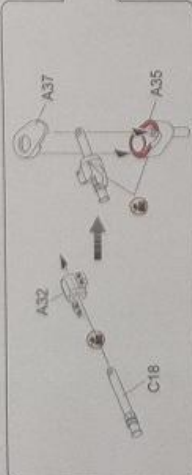


PX1 ✓

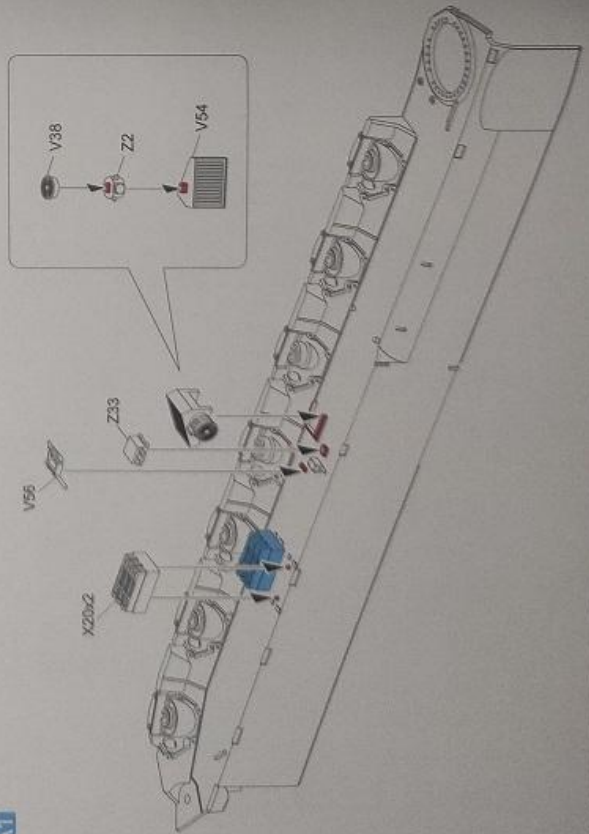
1



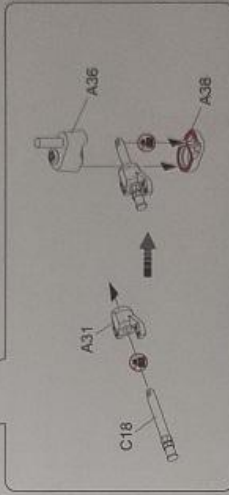
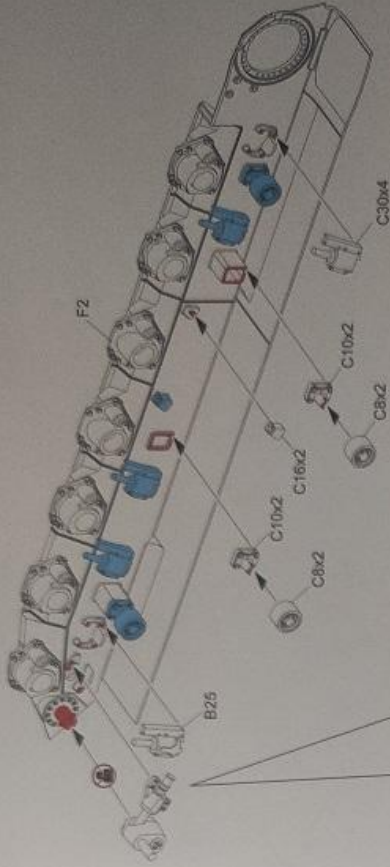
Fix the part after adjusting the track tension.  
 调节履带张紧后再固定零件



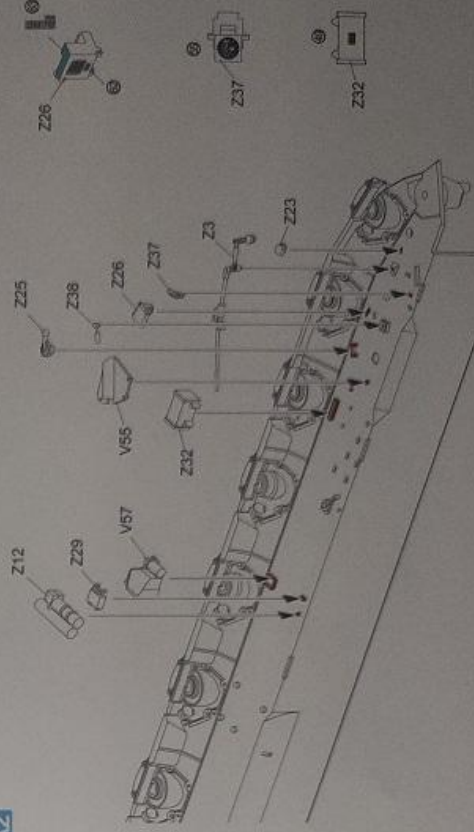
A1

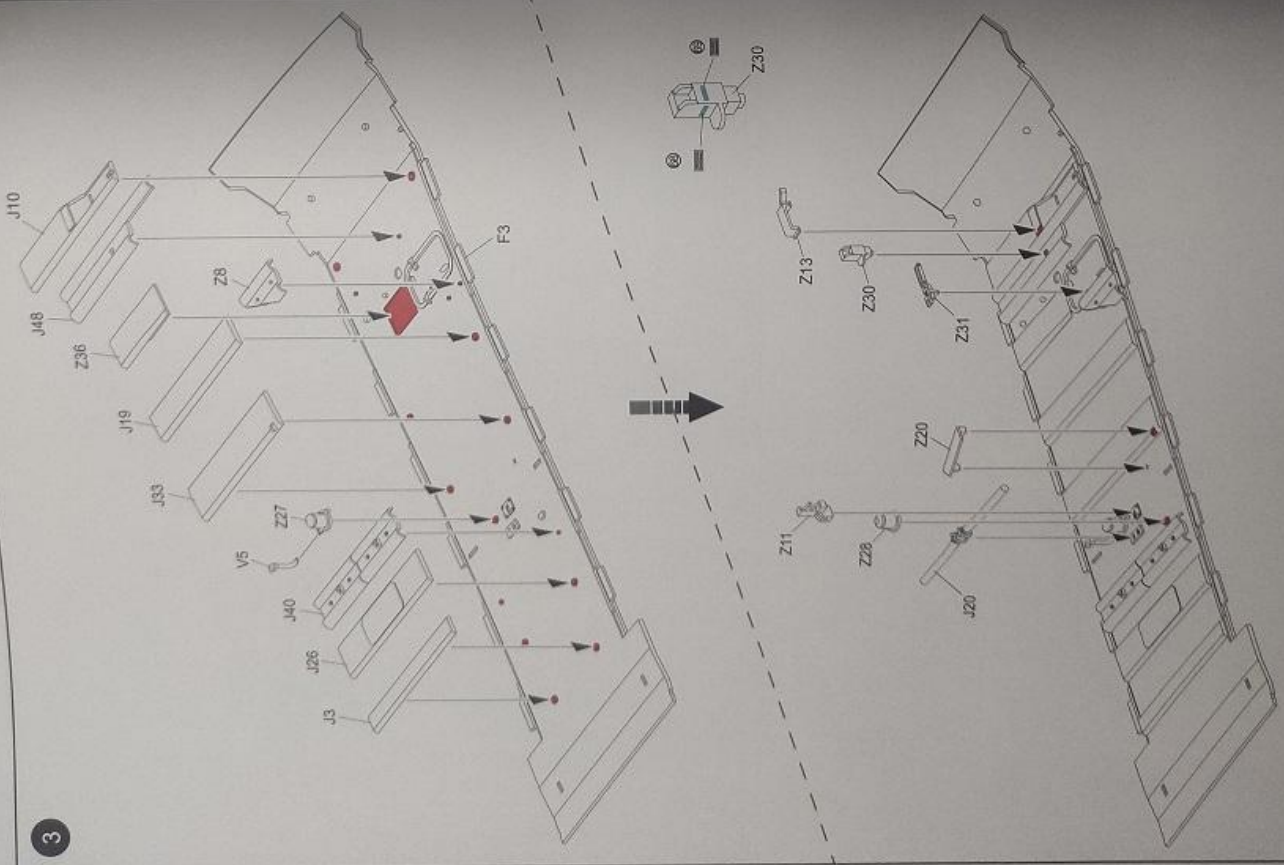


2

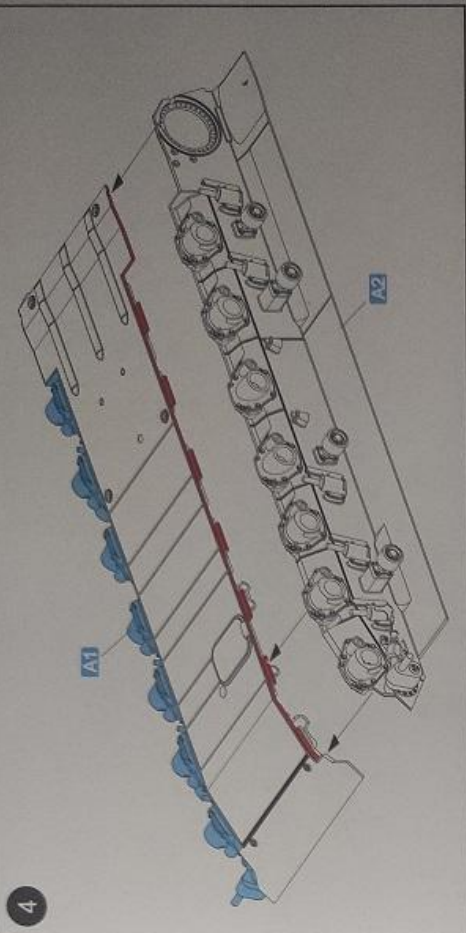


A2

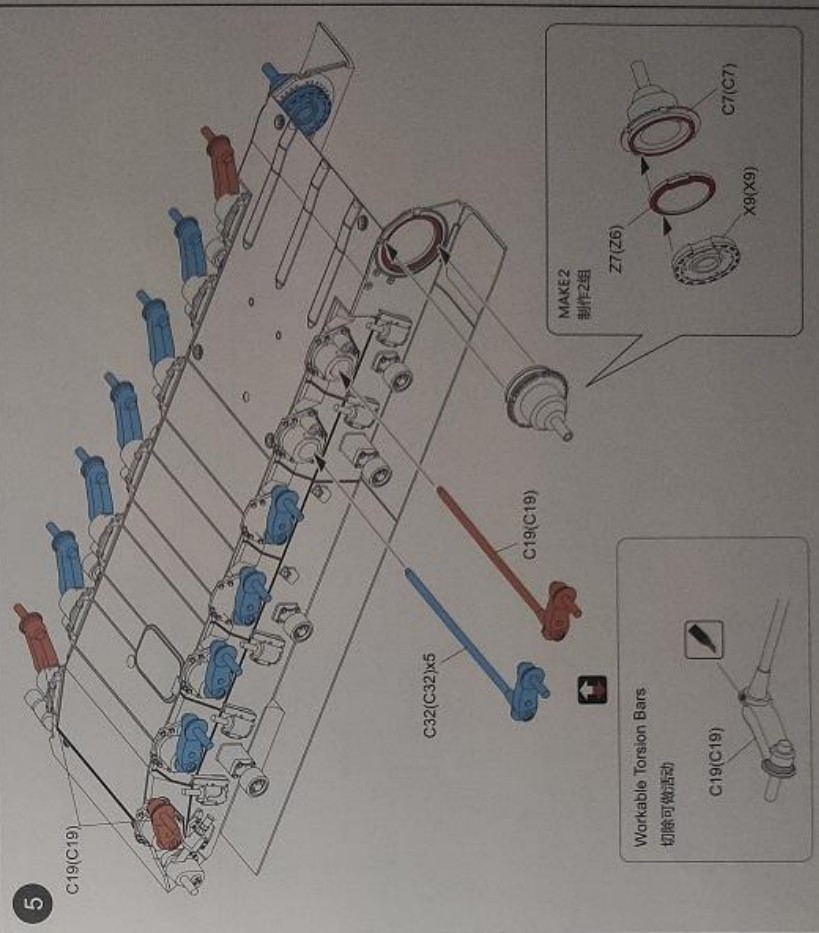




3

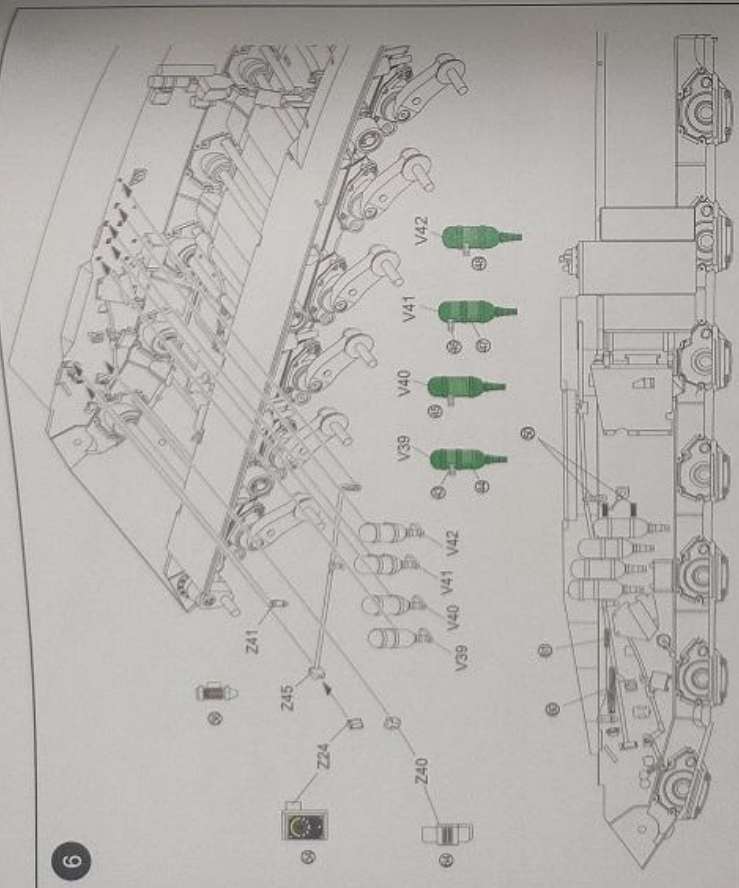


4

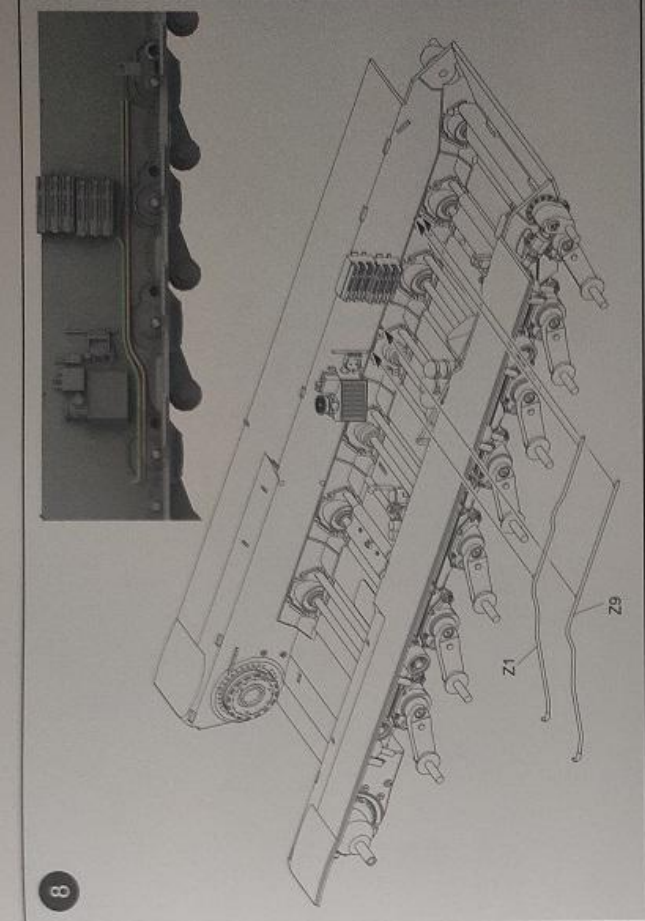


5

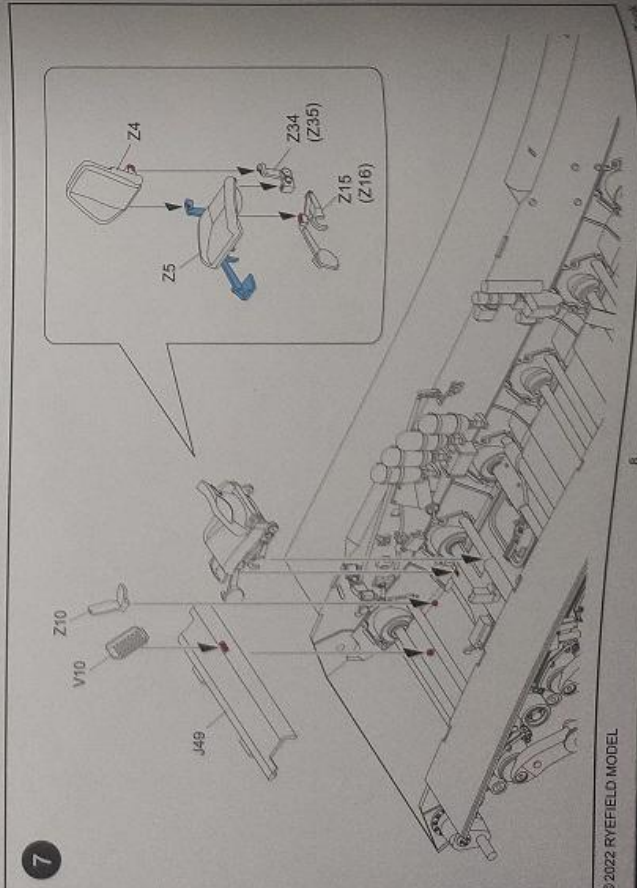
6



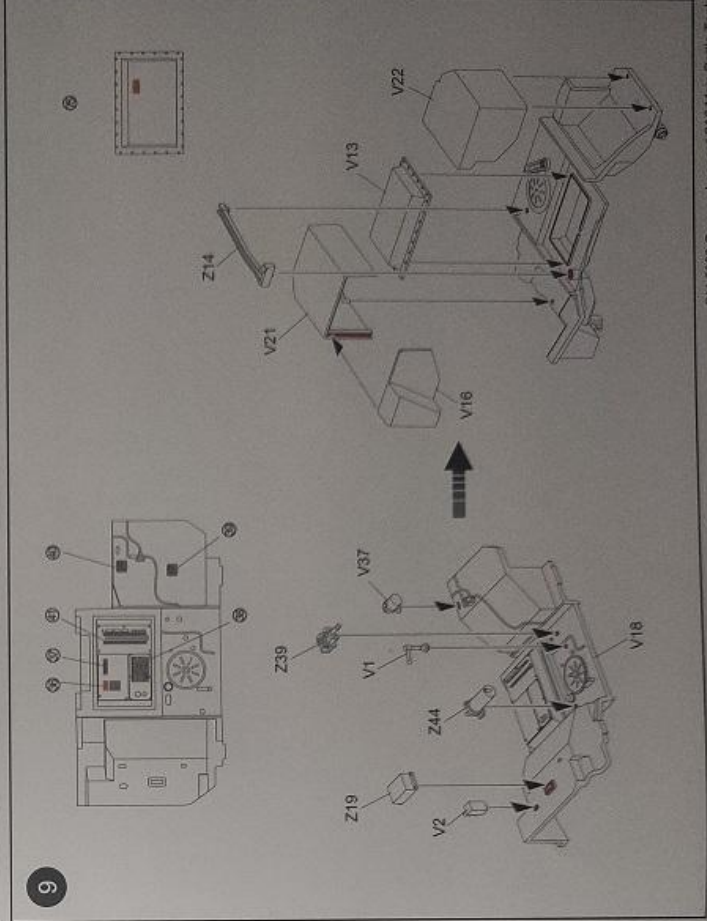
8

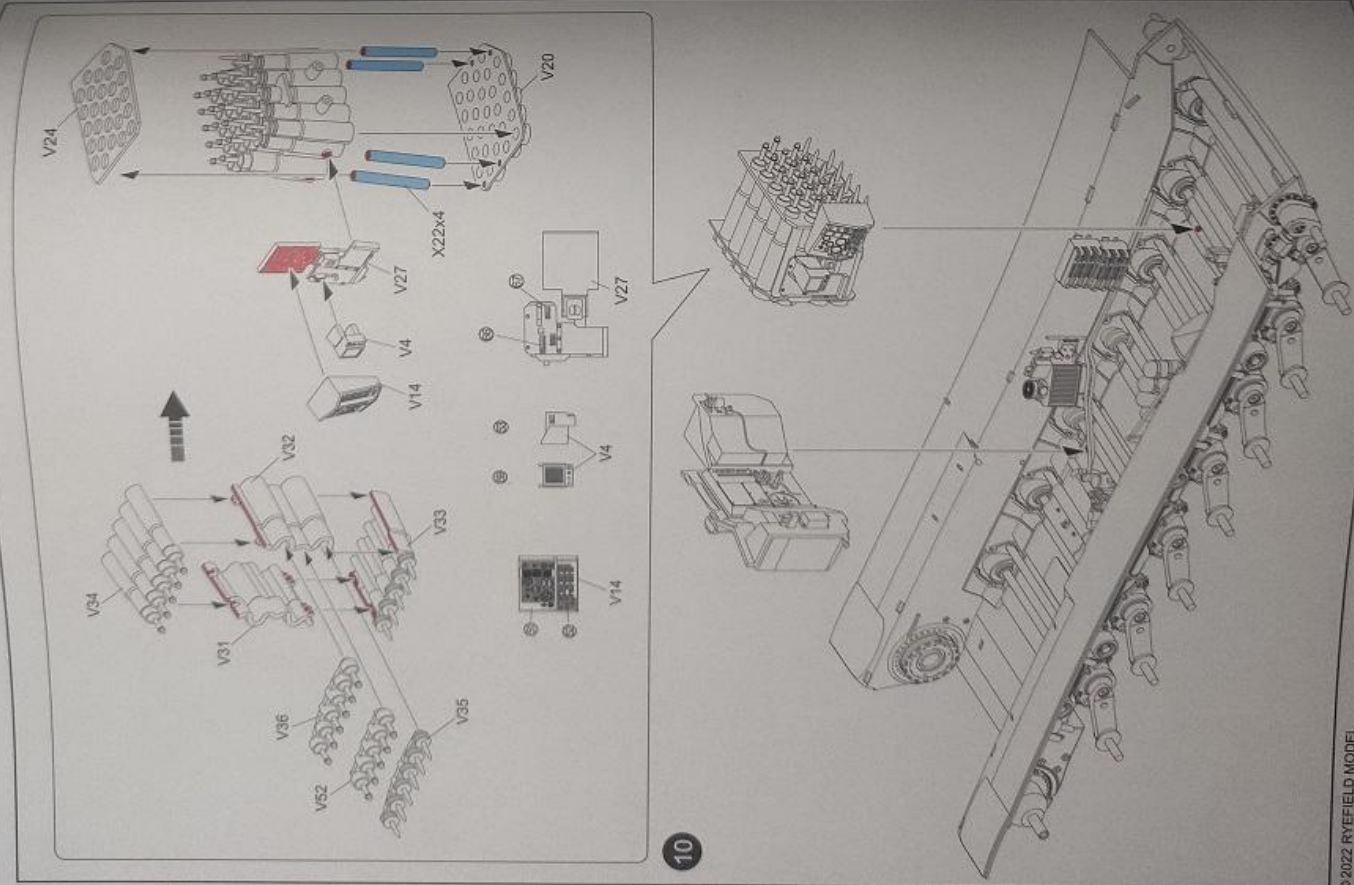


7

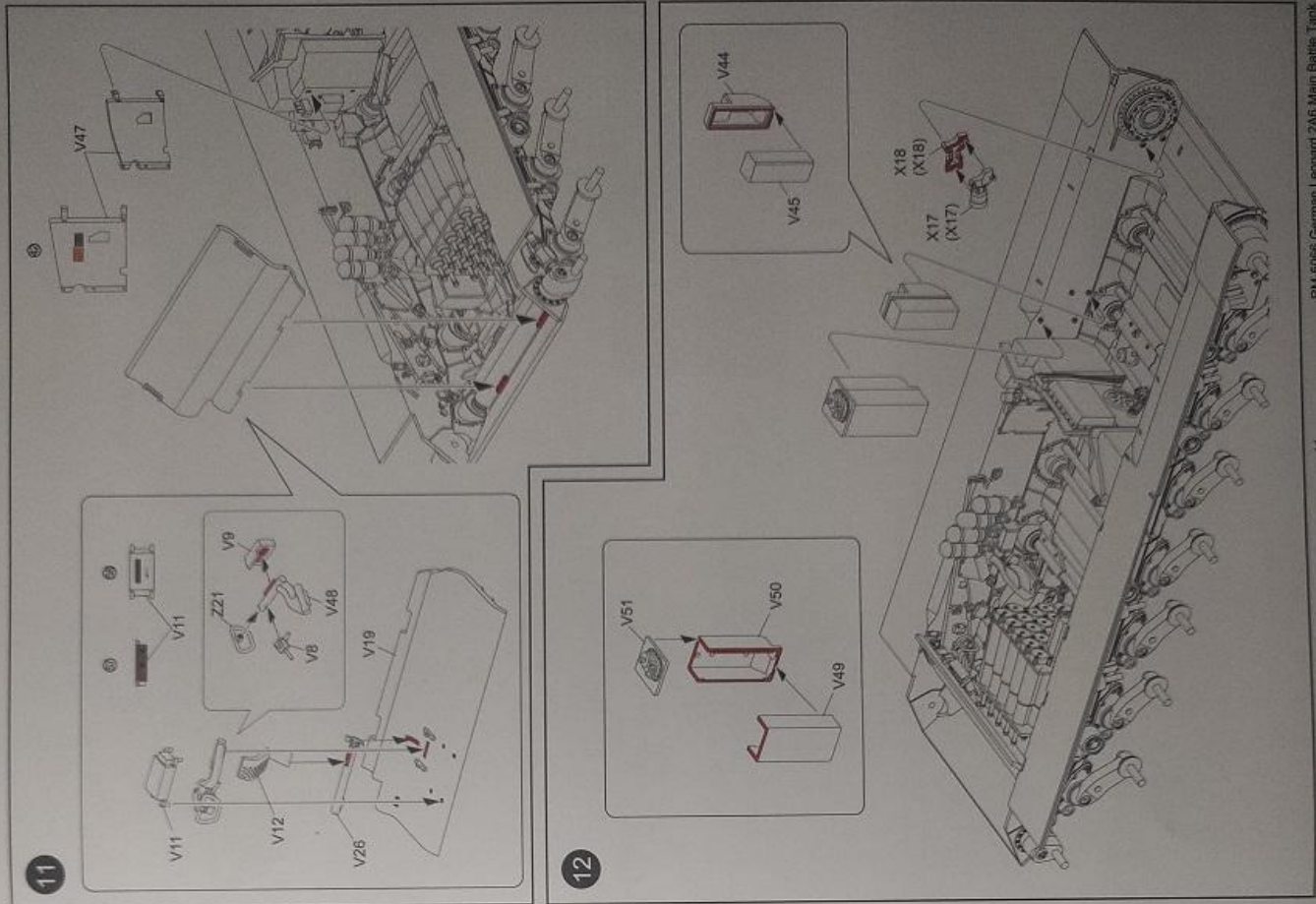


9





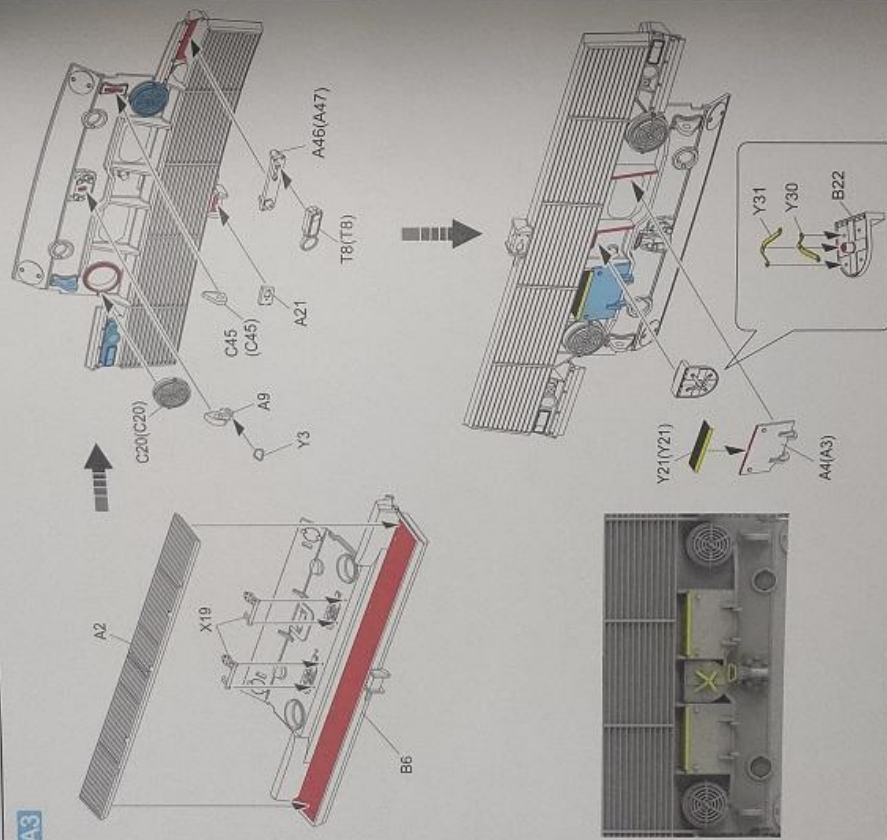
10



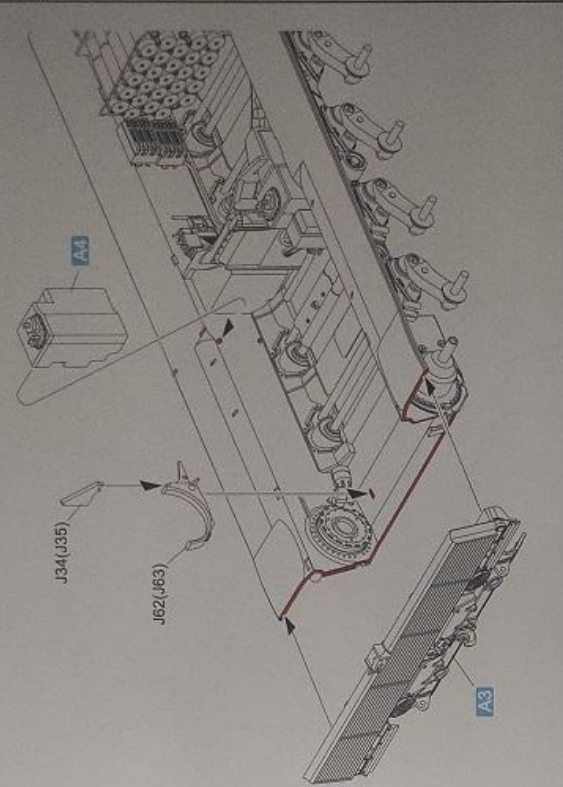
12

11

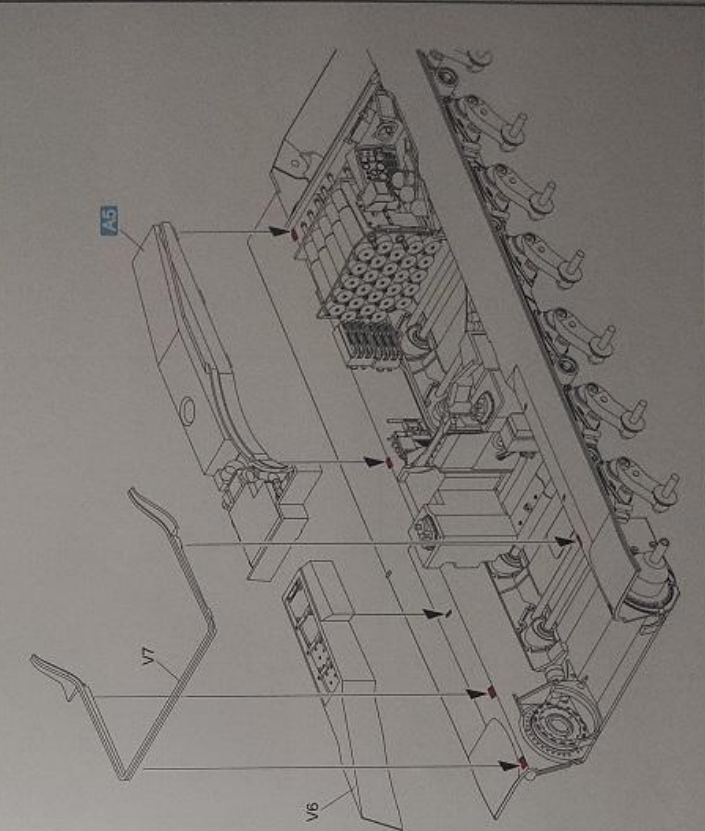
A3



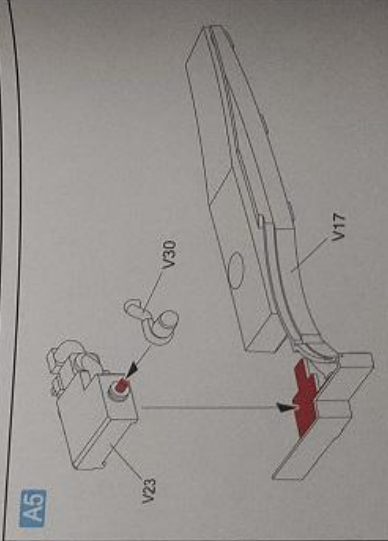
13



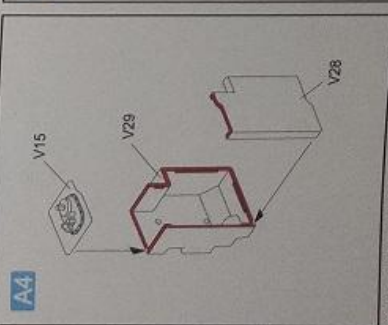
14

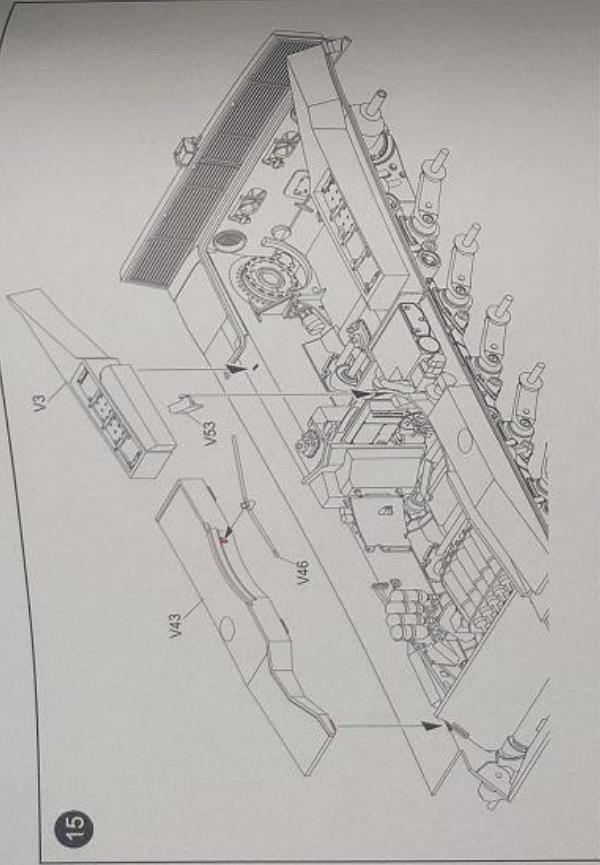


A5

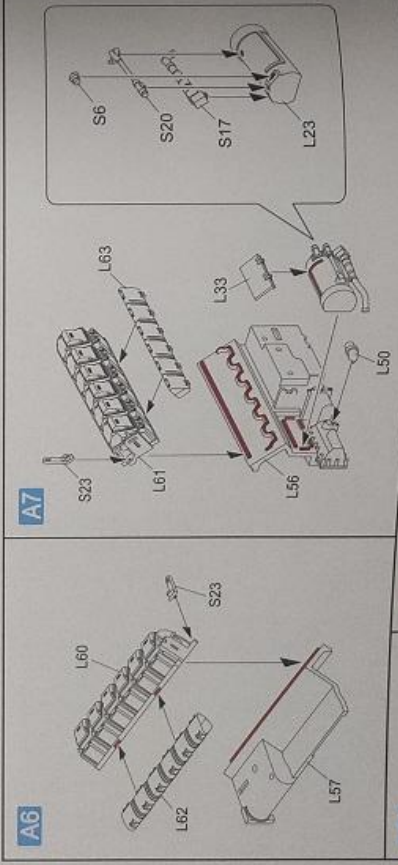


A4



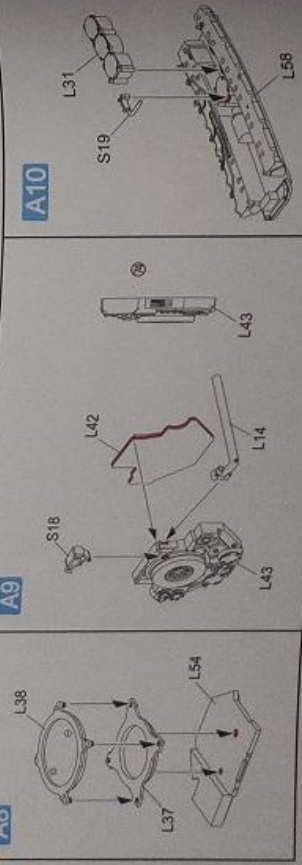


15



A6

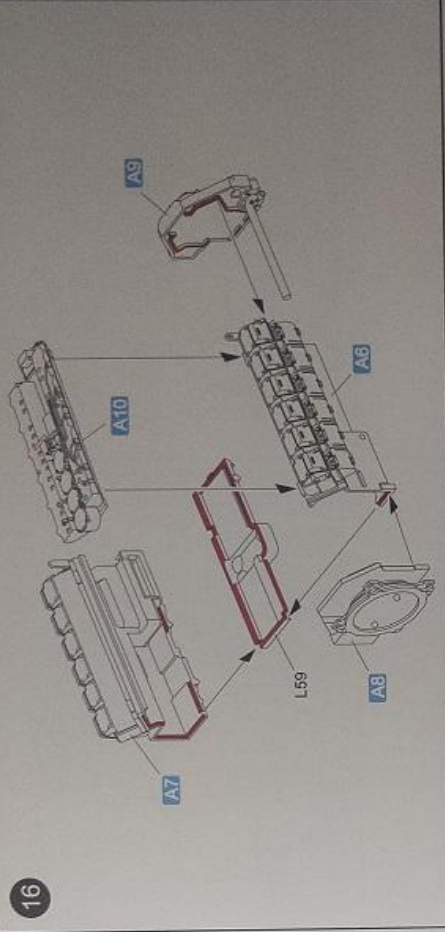
A7



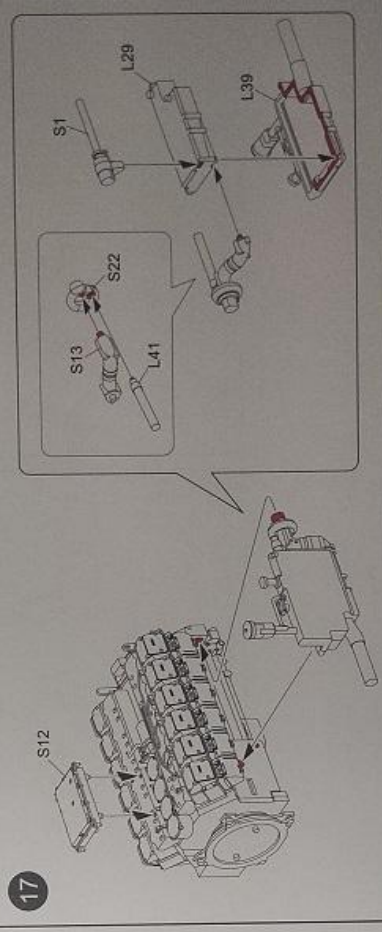
A8

A9

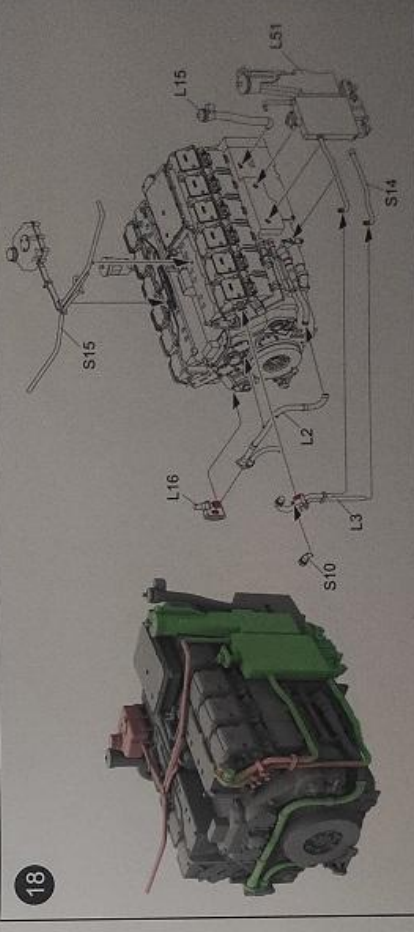
A10



16

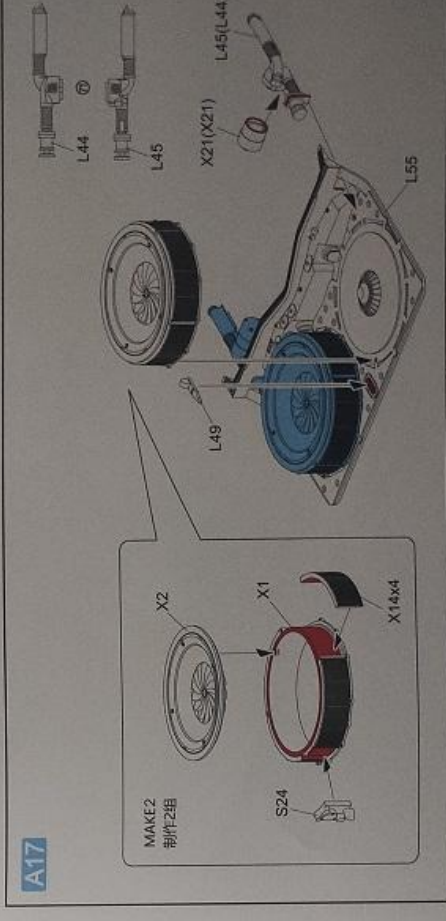
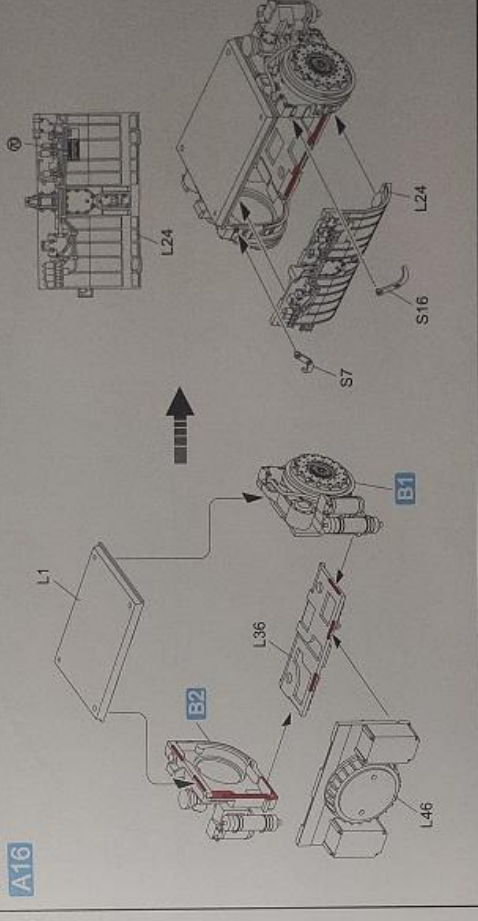
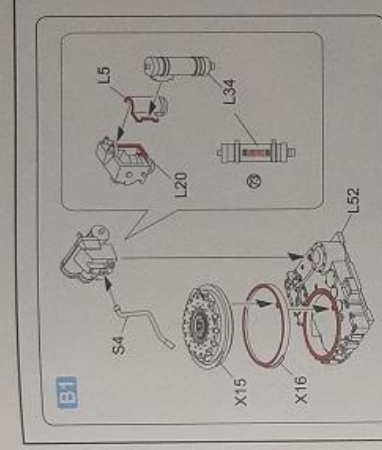
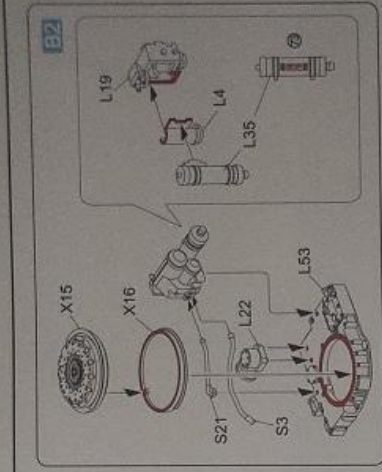
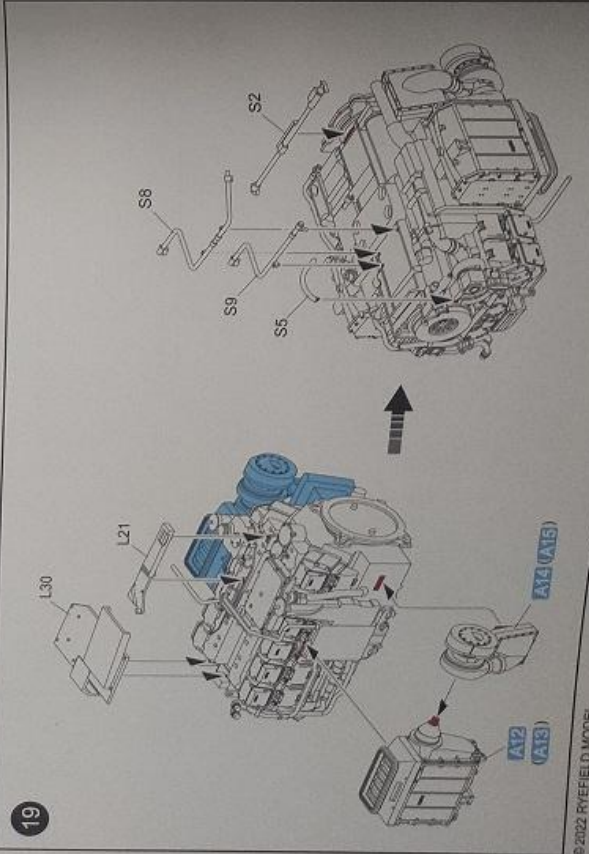
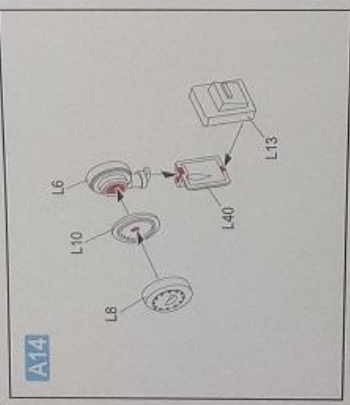
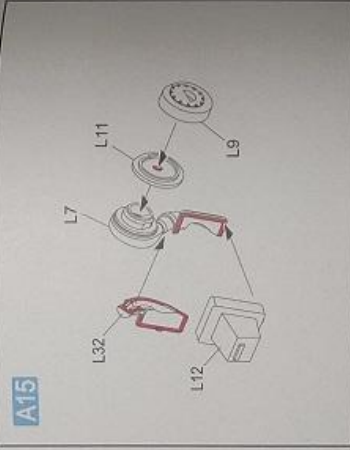
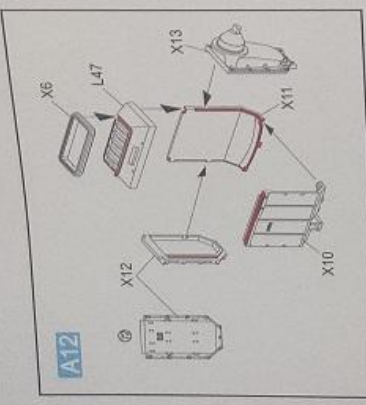
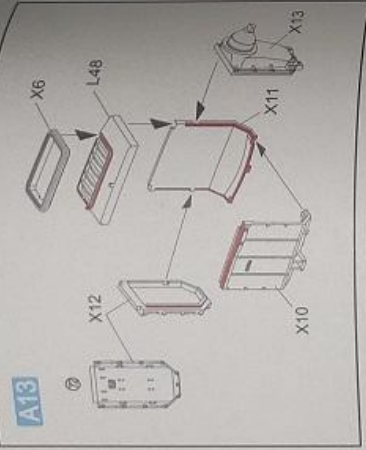


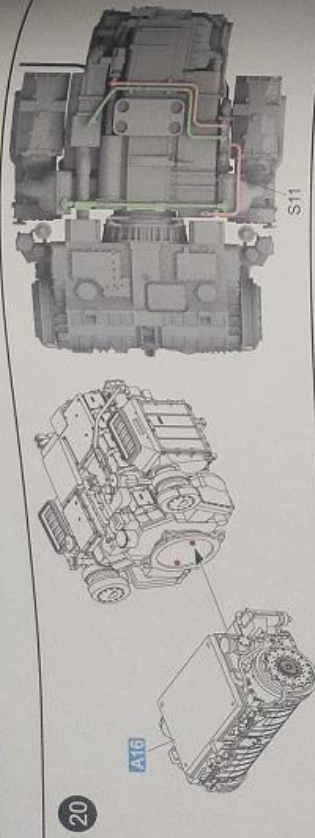
17



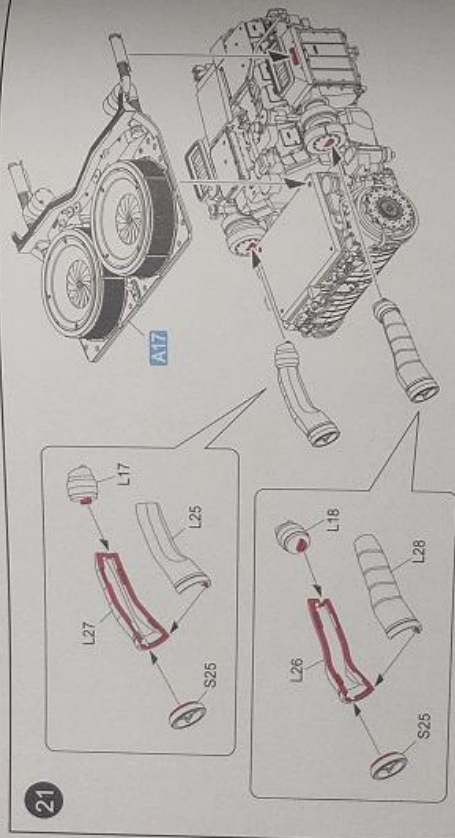
18



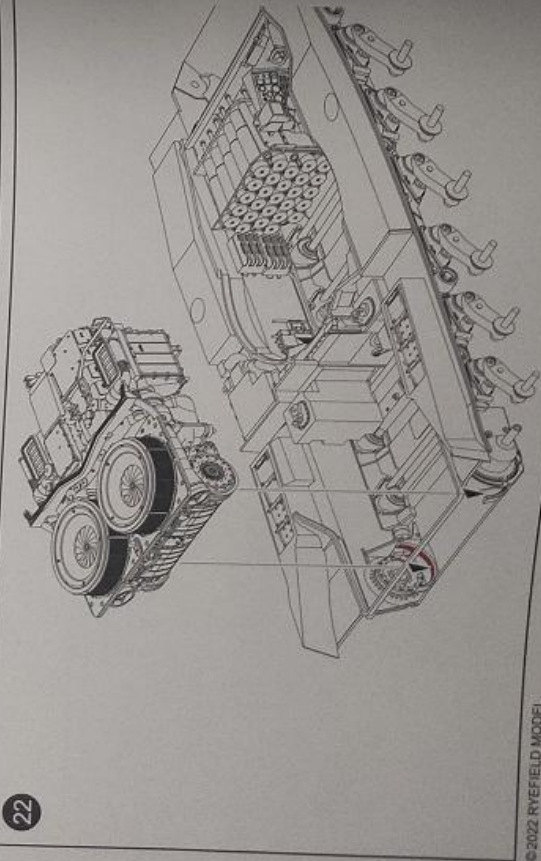




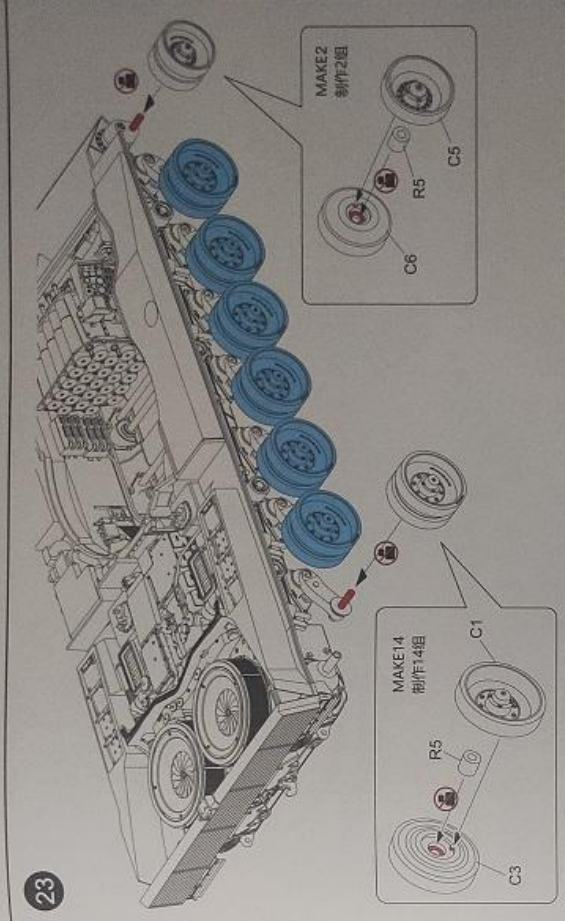
20



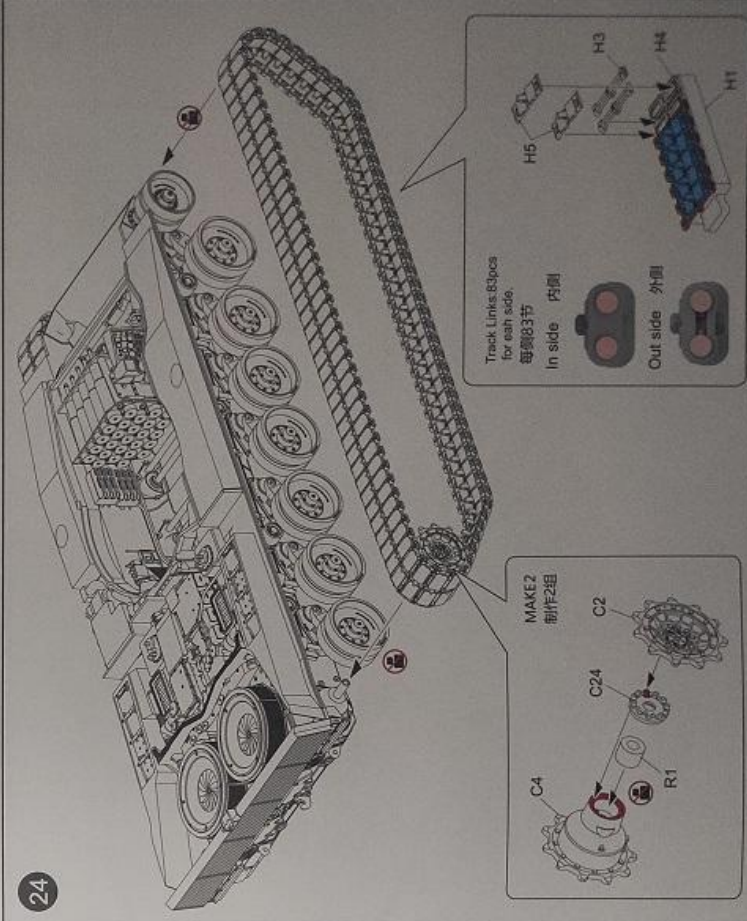
21



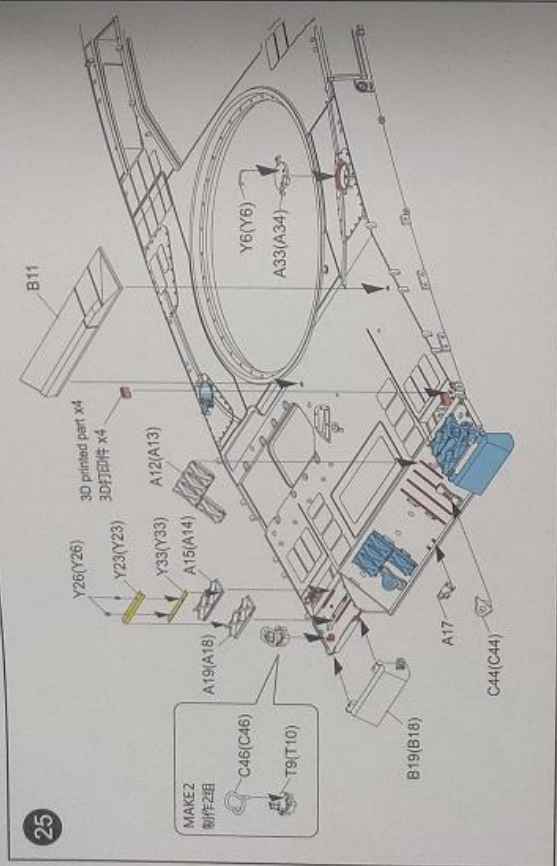
22



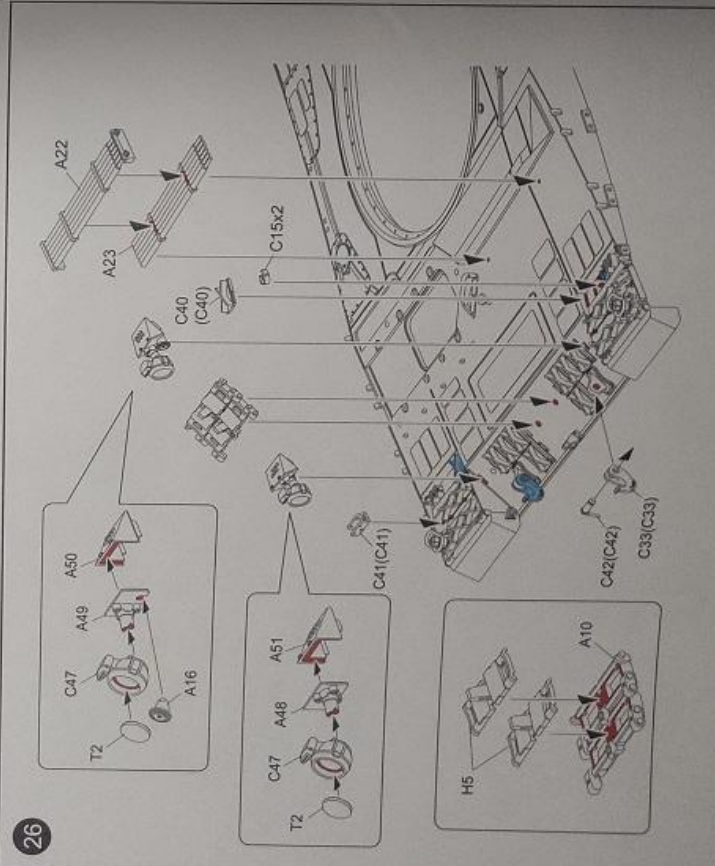
23



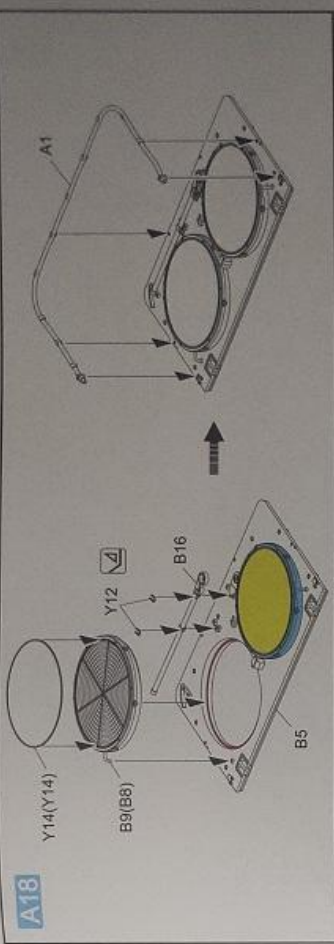
24



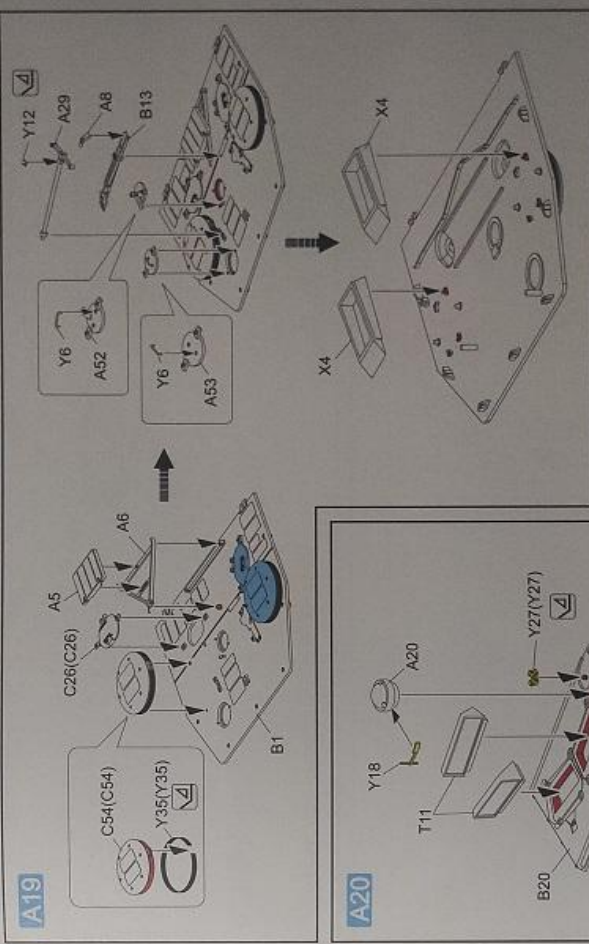
25



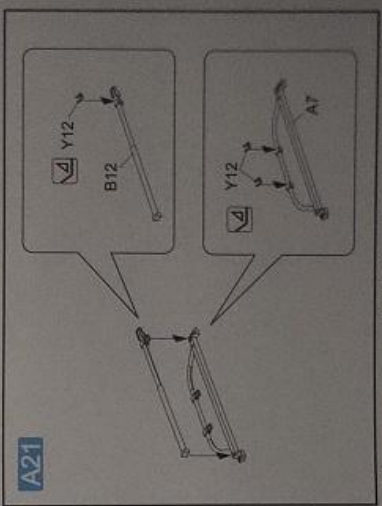
26



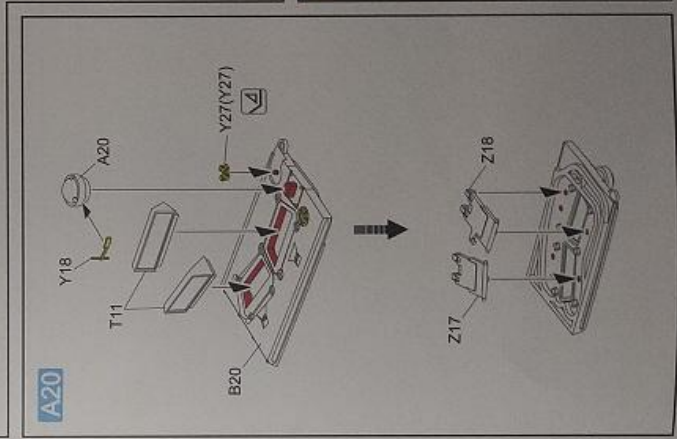
A18



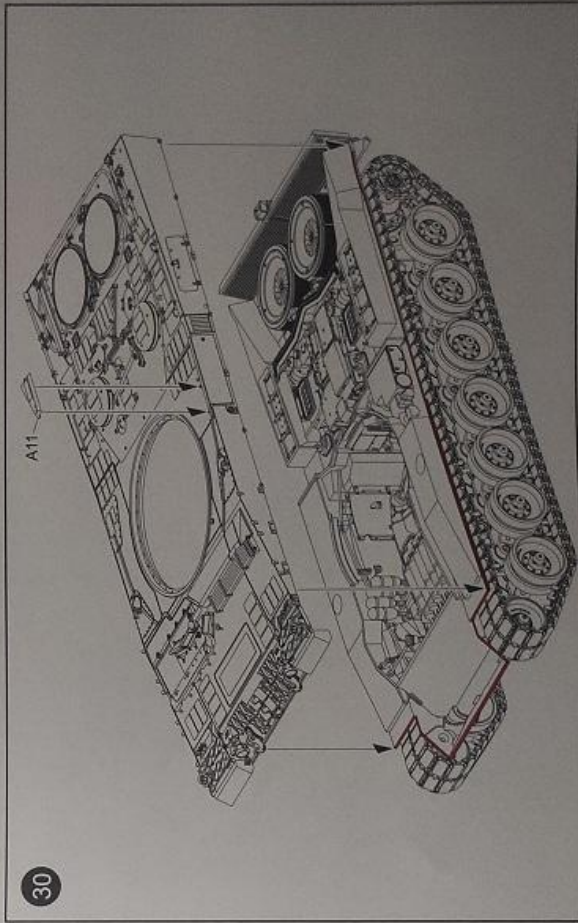
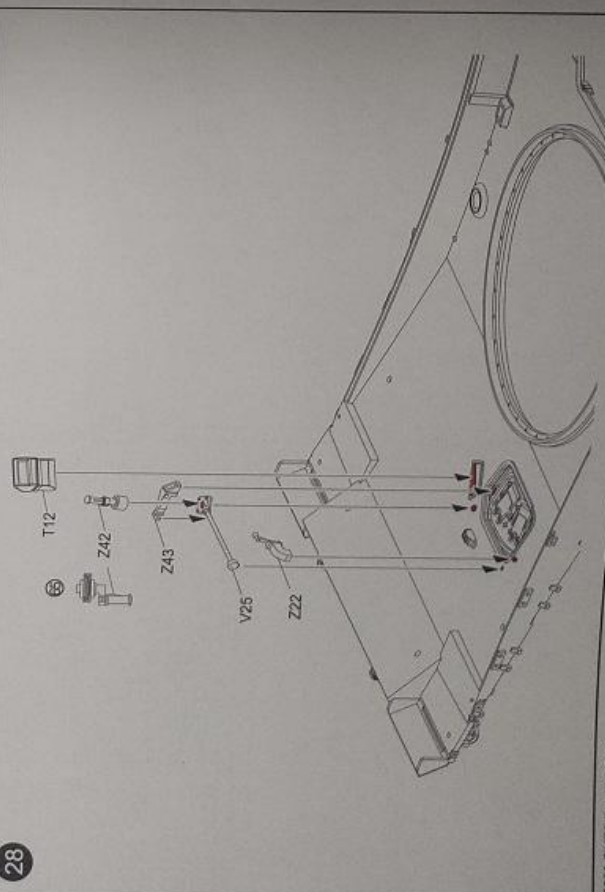
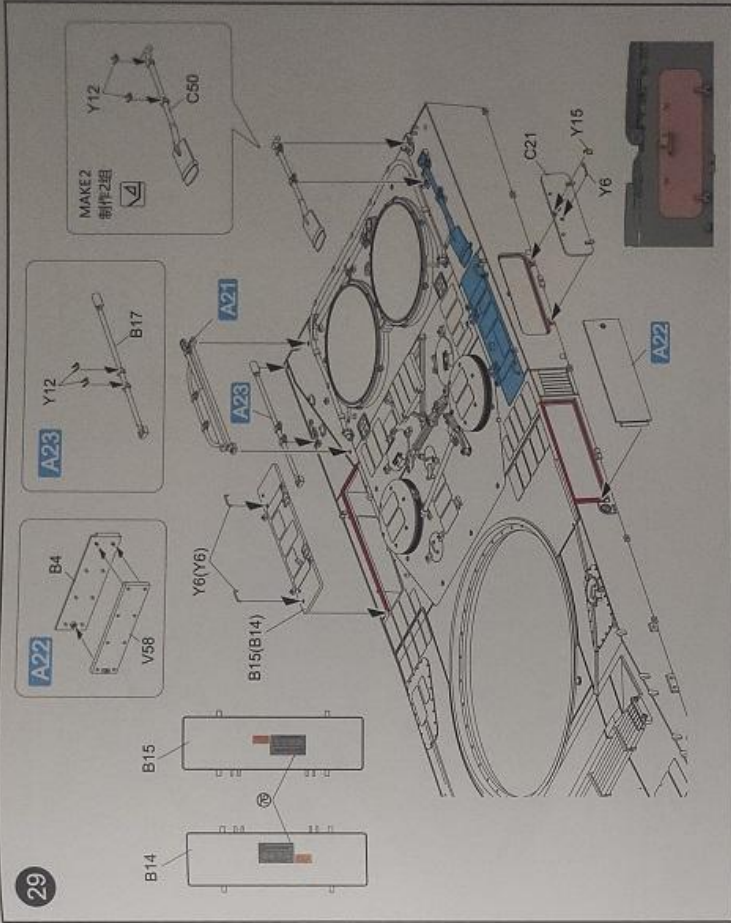
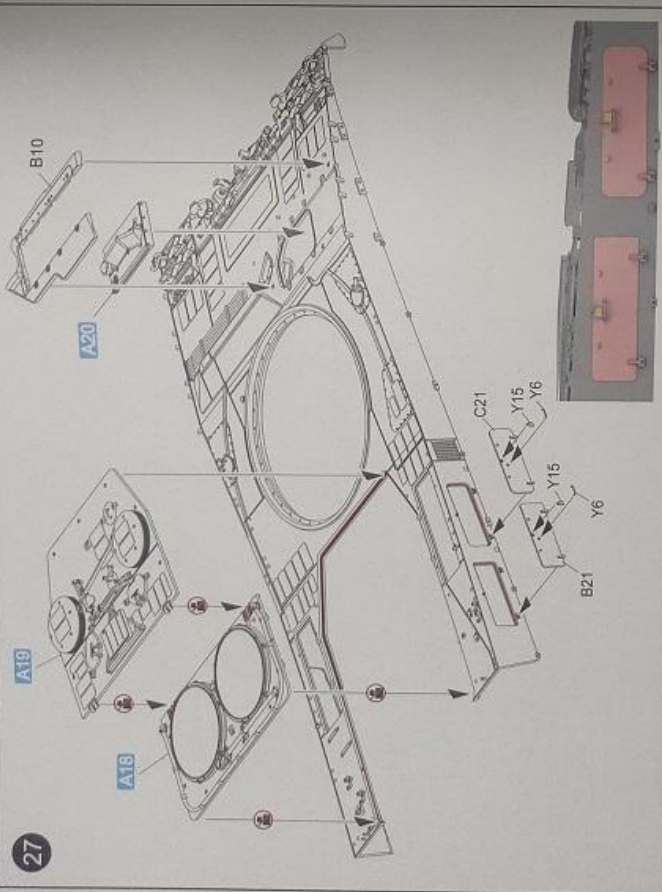
A19



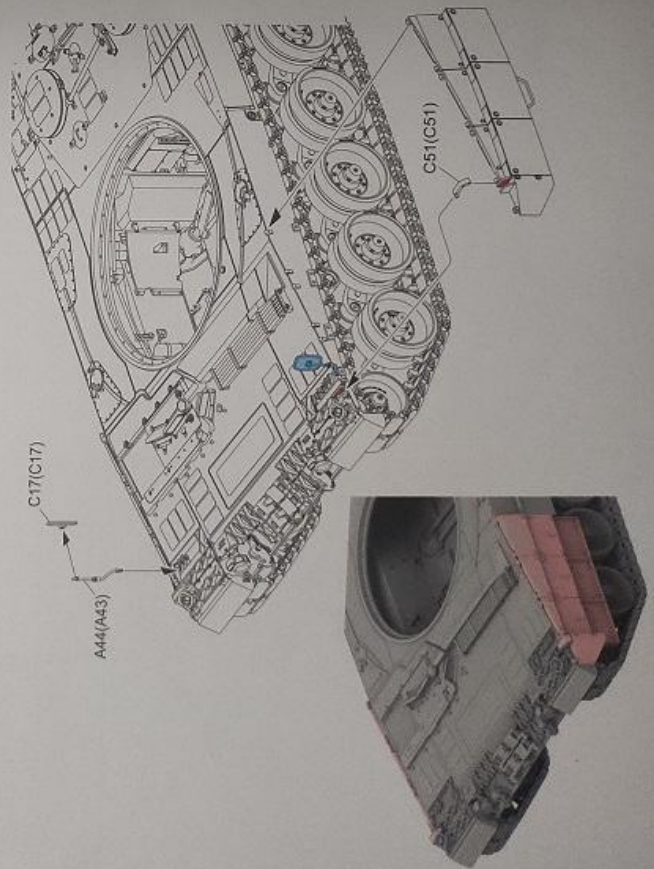
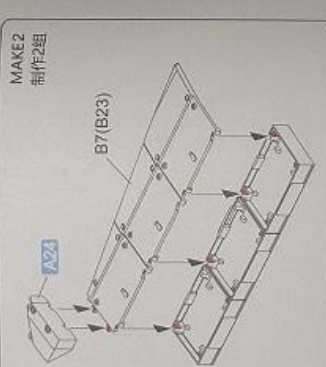
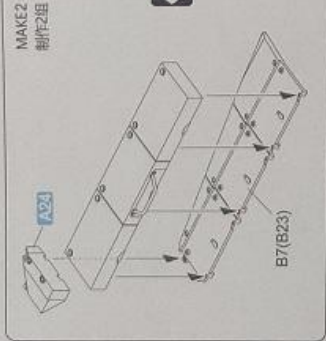
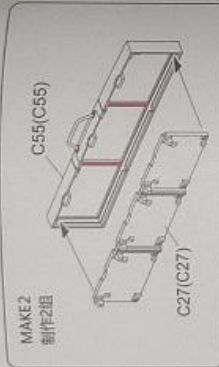
A21



A20

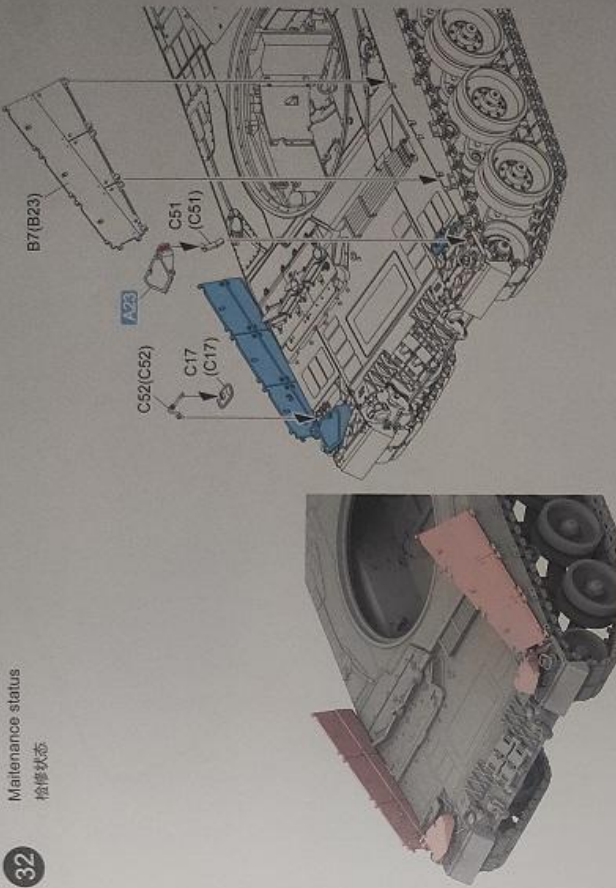


31

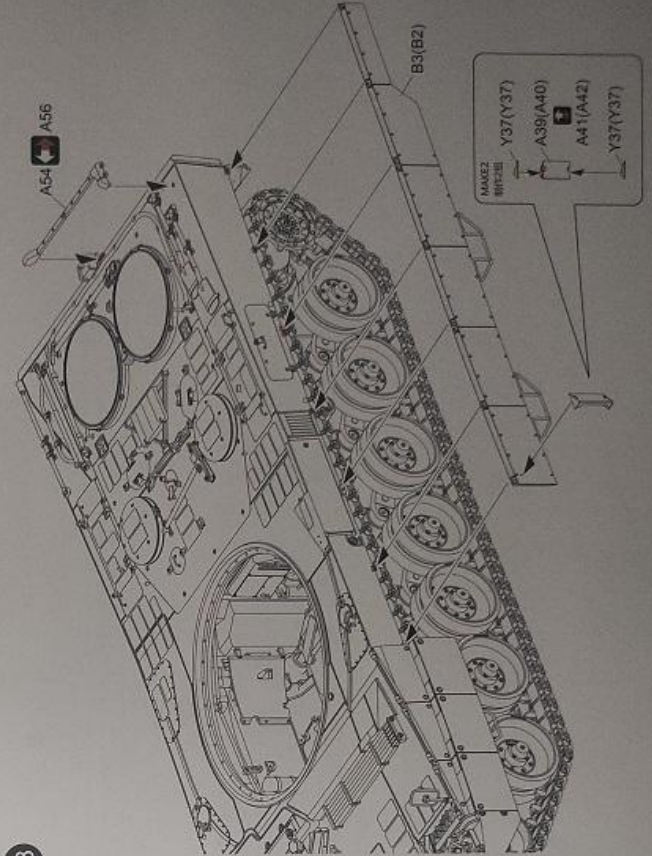


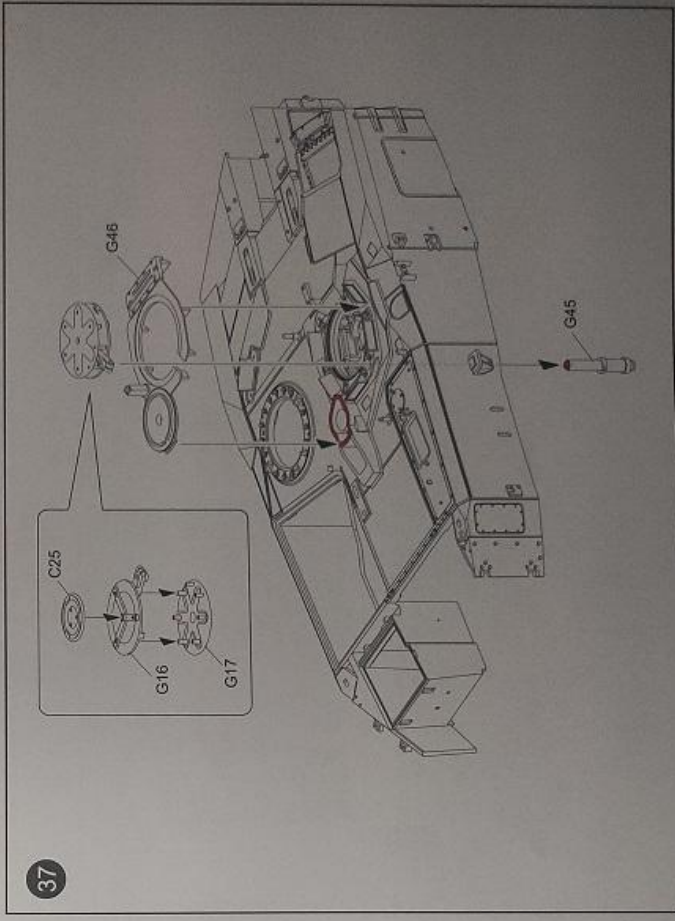
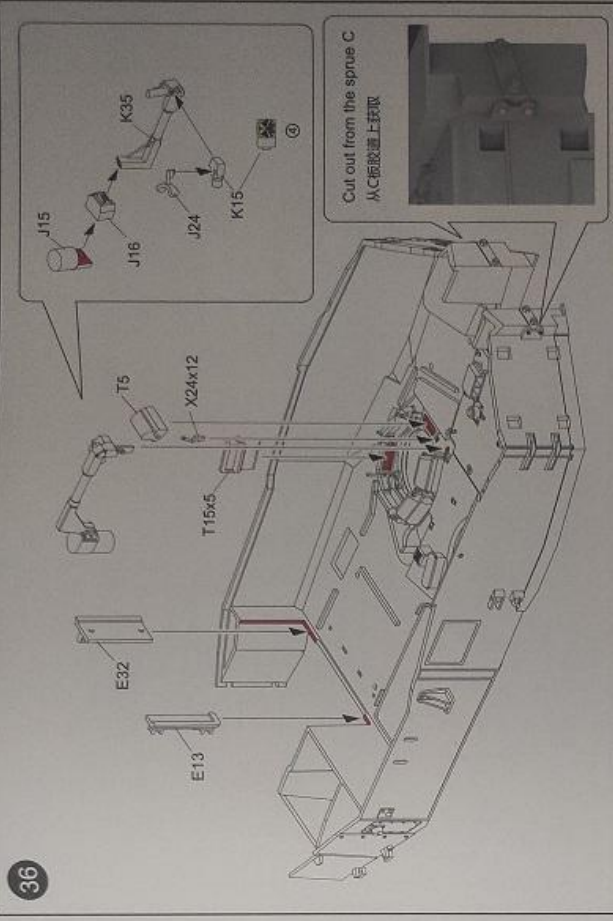
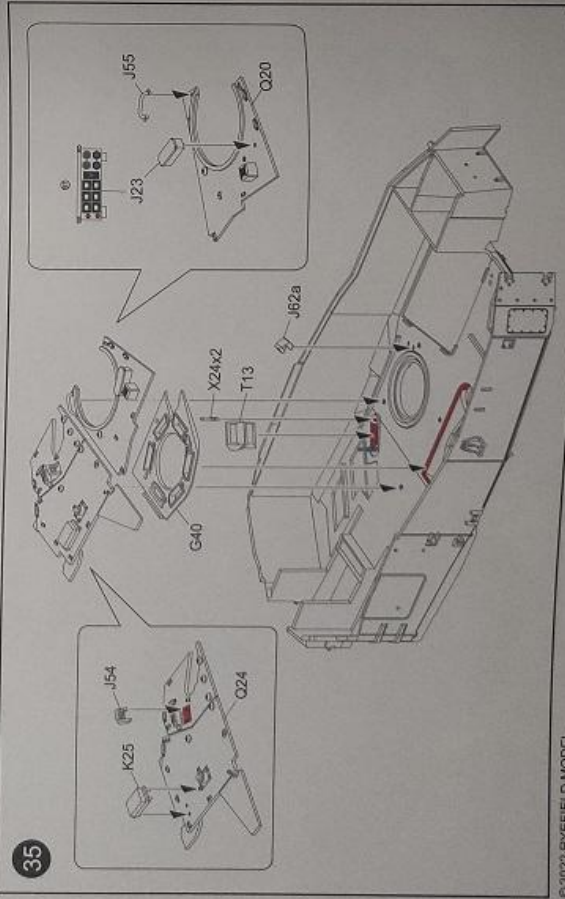
32

Maintenance status  
检修状态

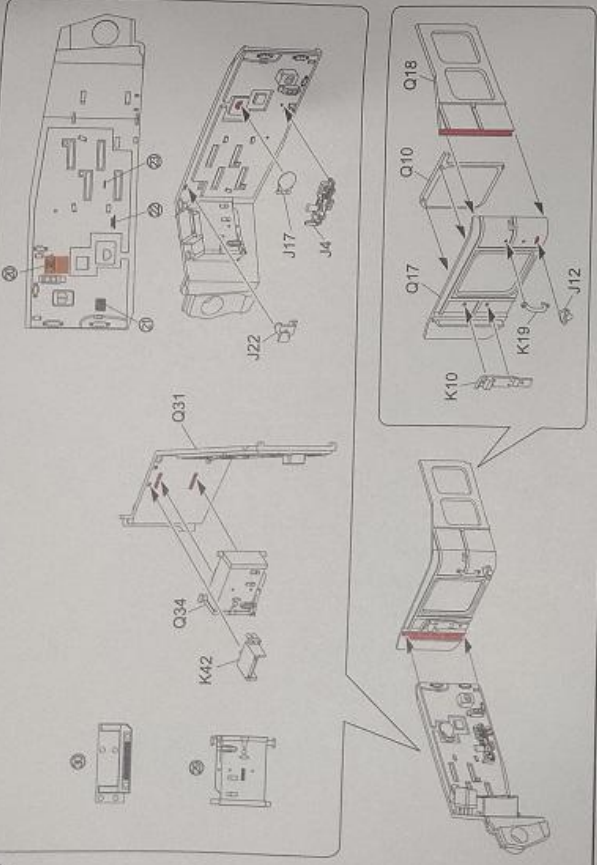


33

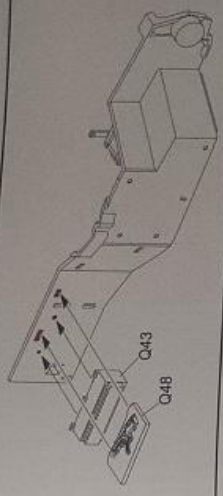




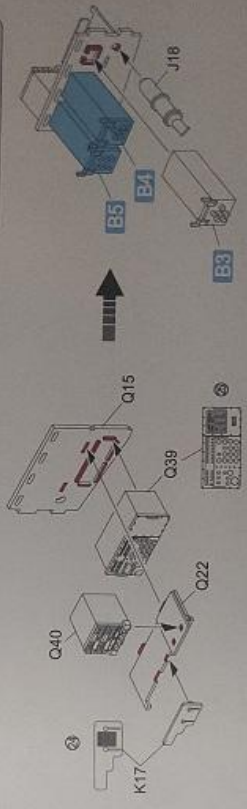
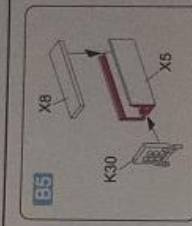
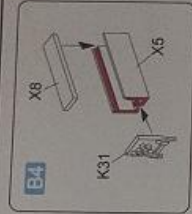
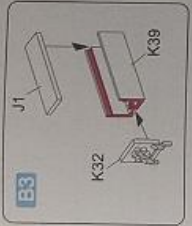
38



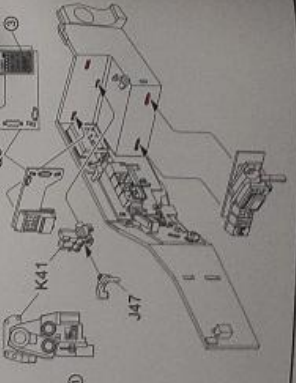
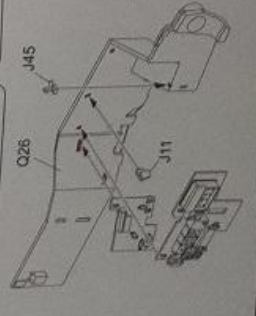
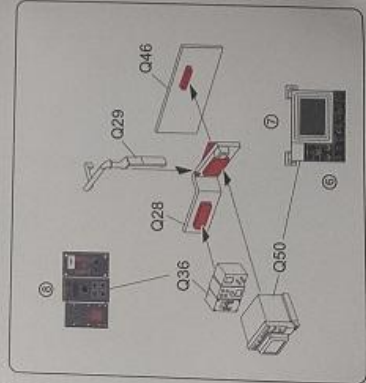
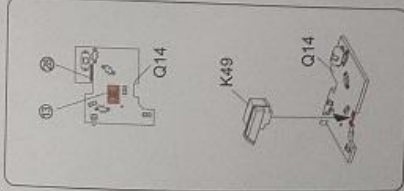
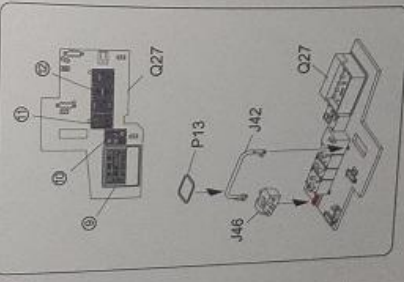
40



A25



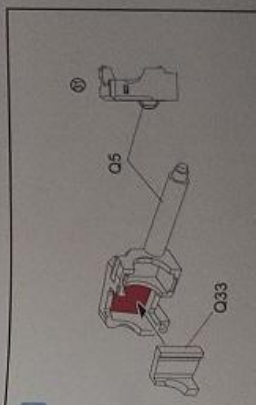
39



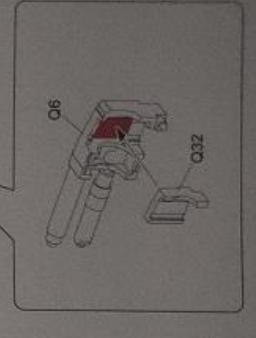
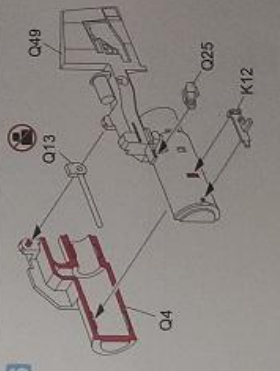
© 2022 RYEFIELD MODEL

28

A27

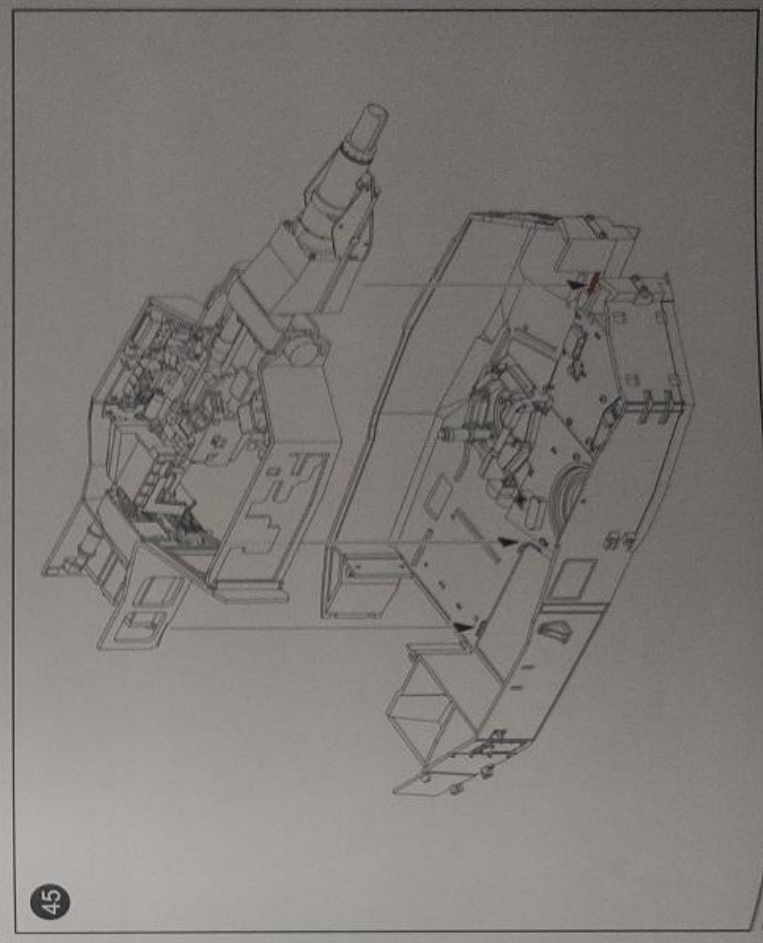
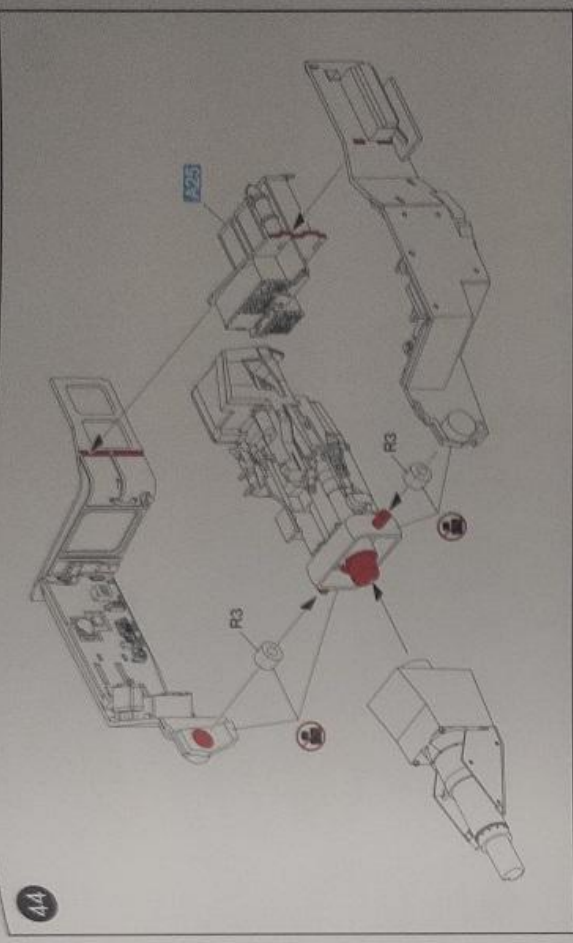
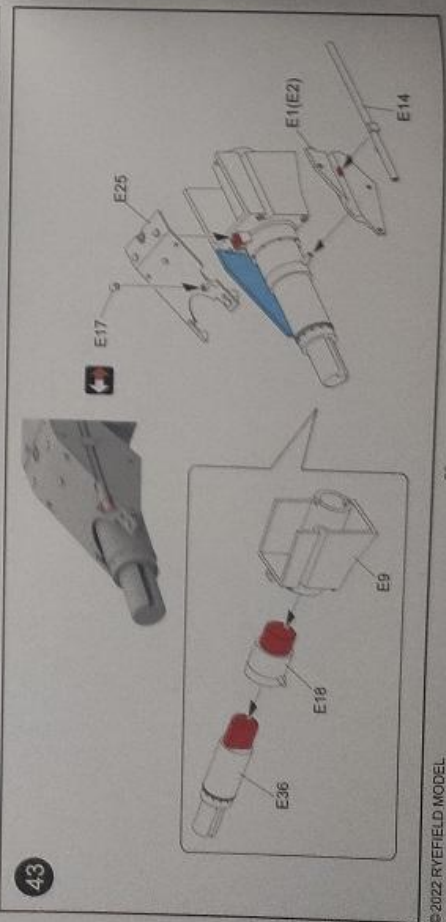
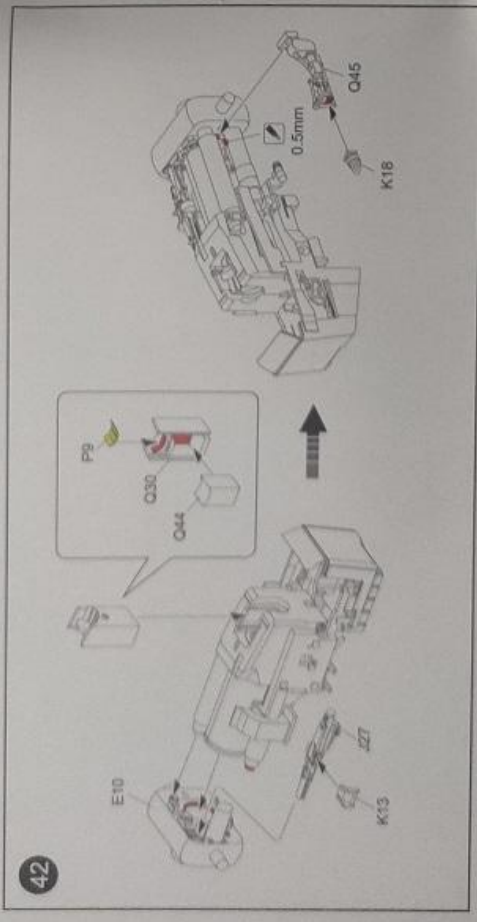
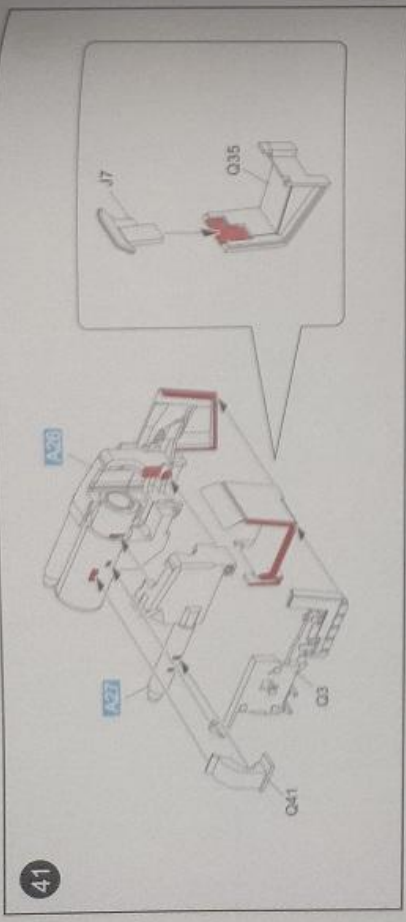


A26



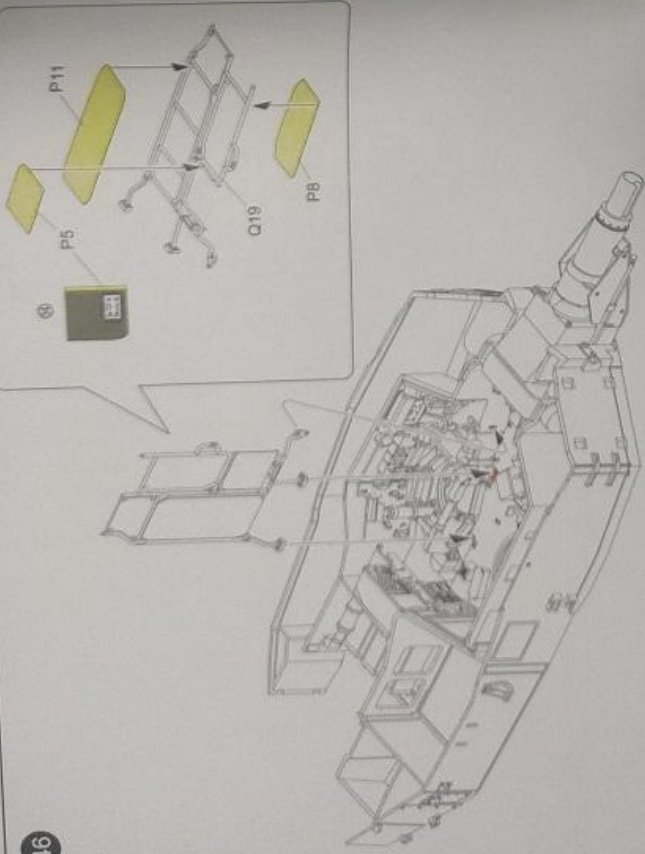
© 2022 RYEFIELD MODEL

29

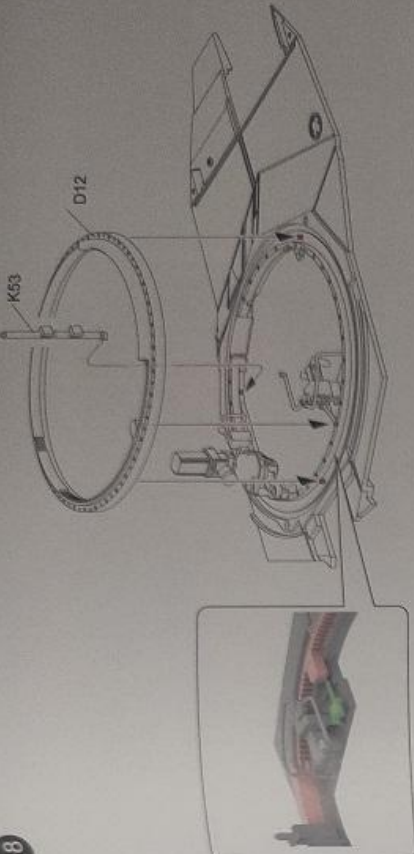




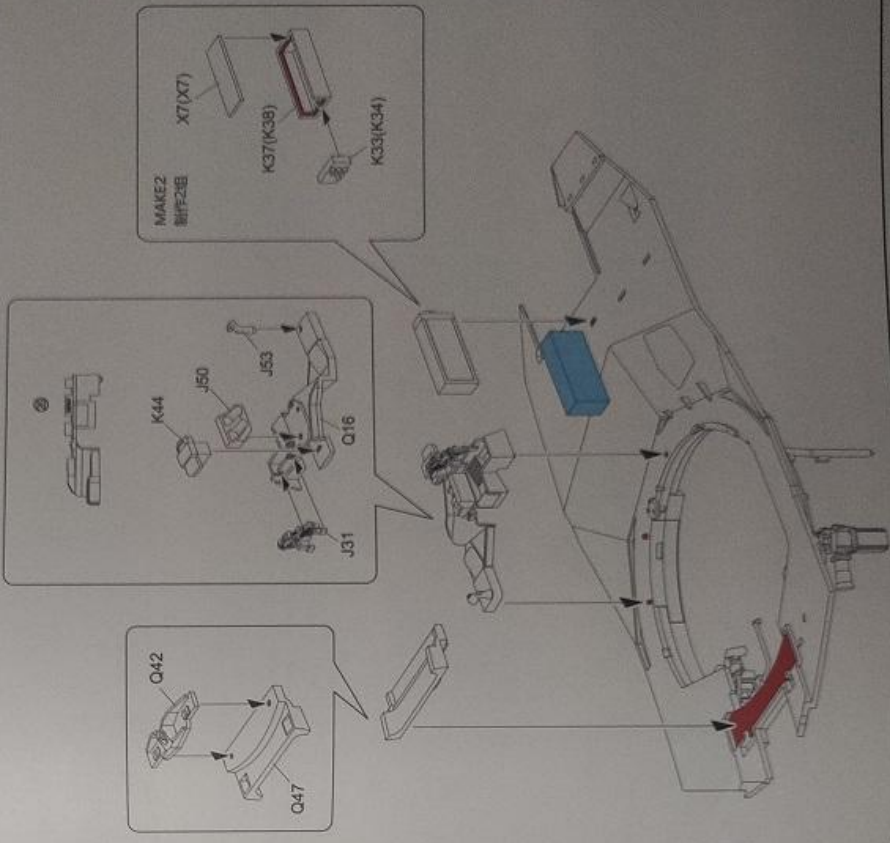
46



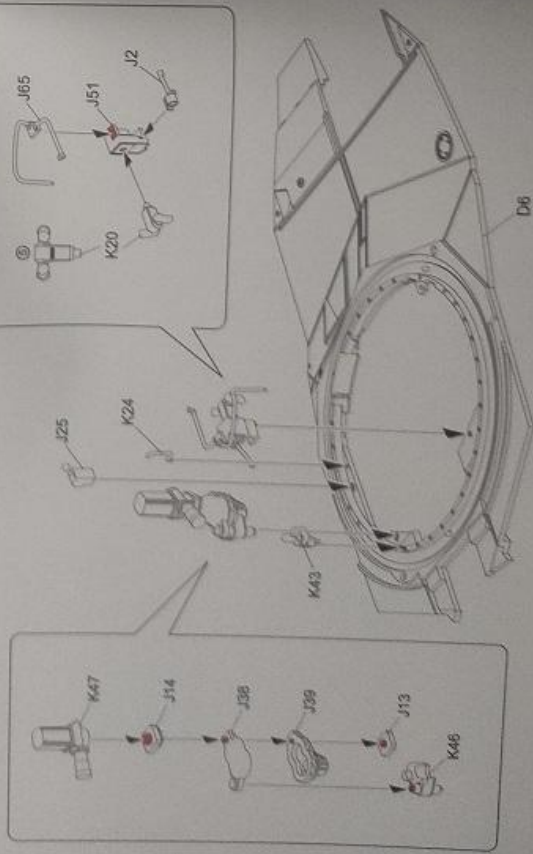
48

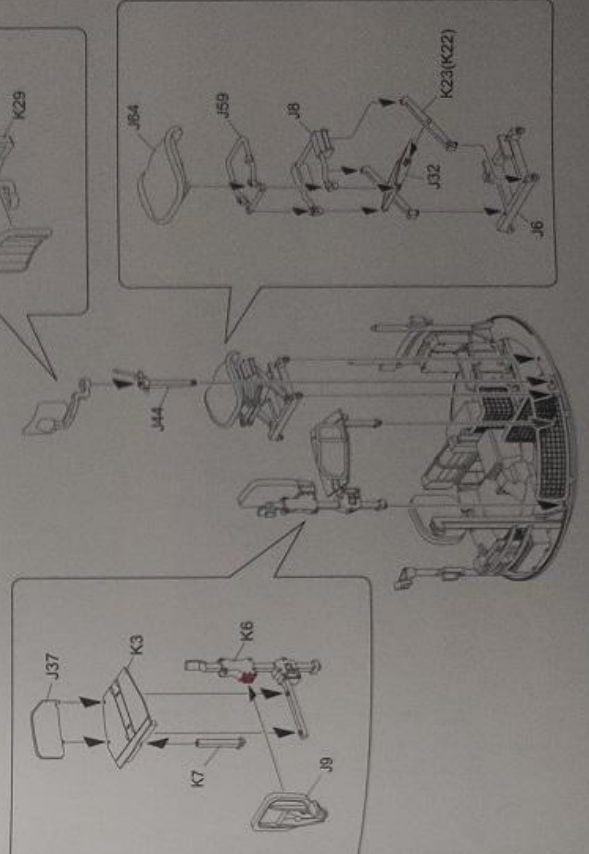
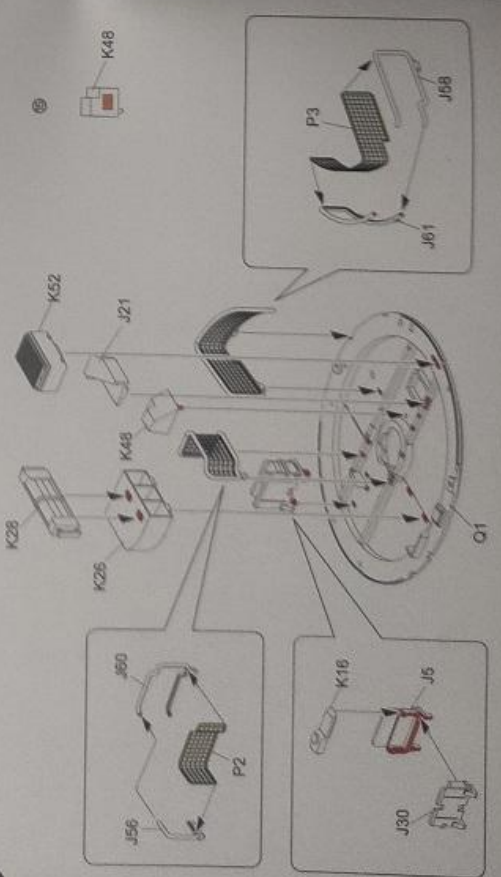
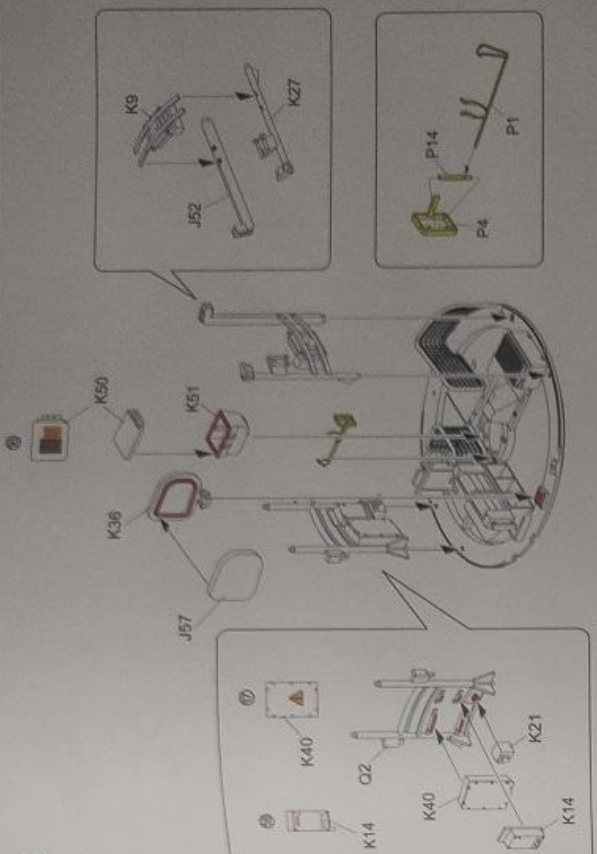
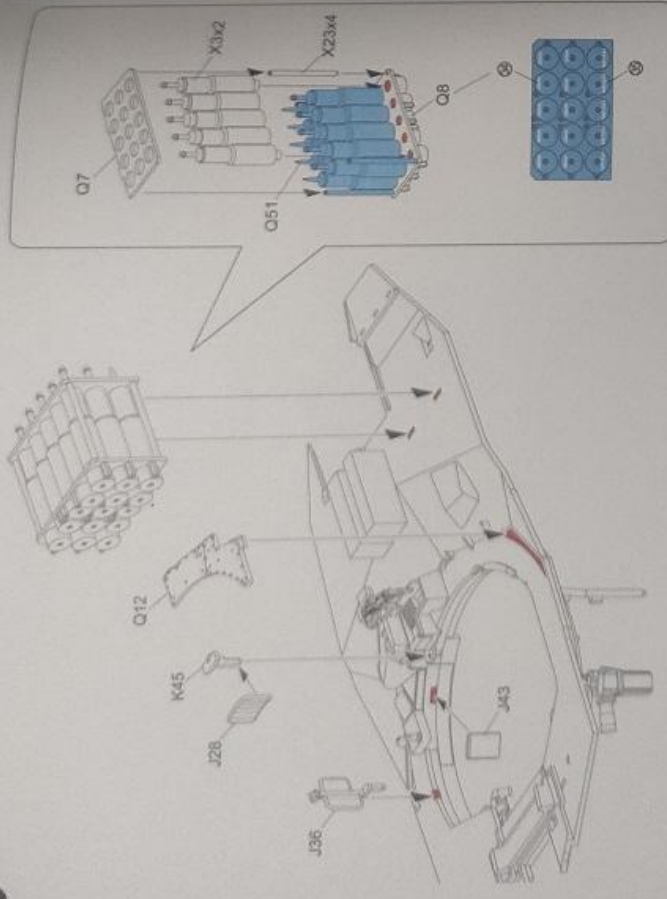


49

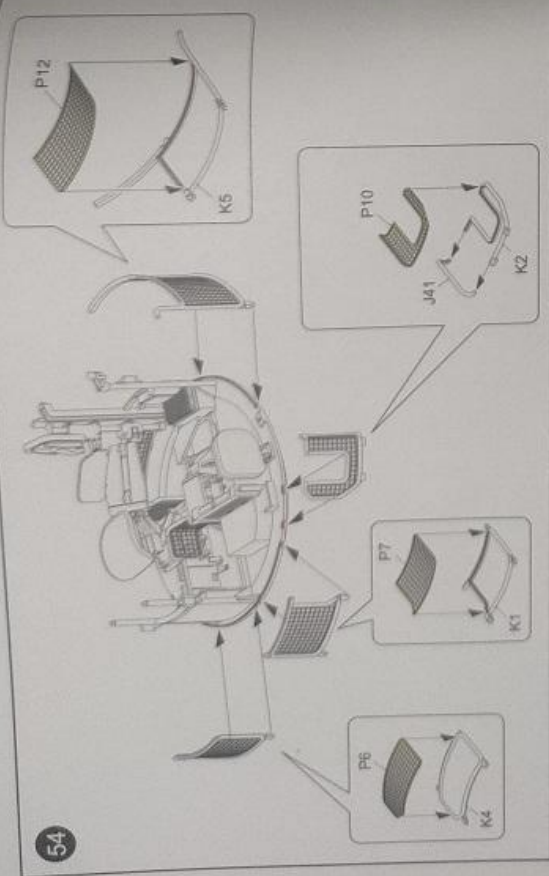


47



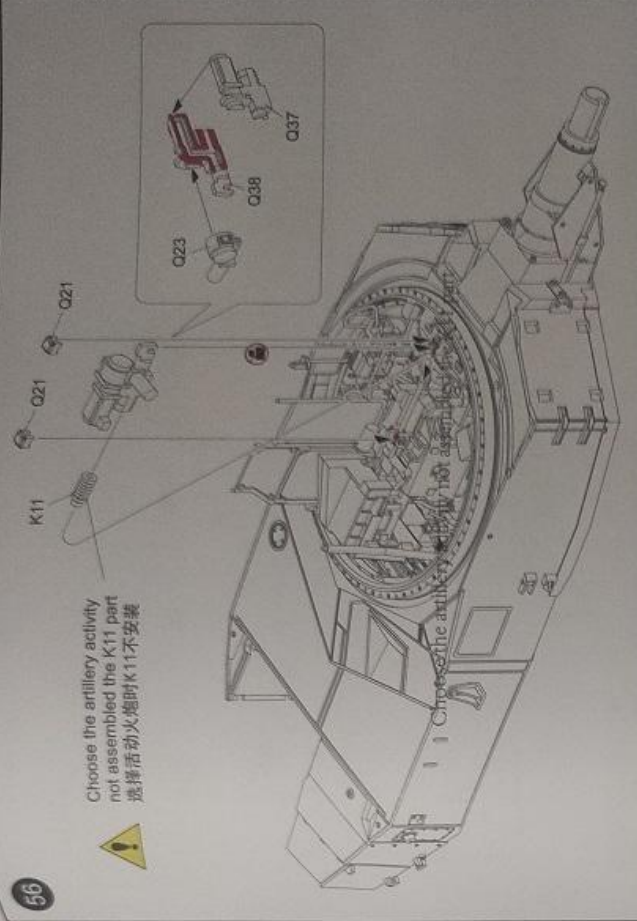


54

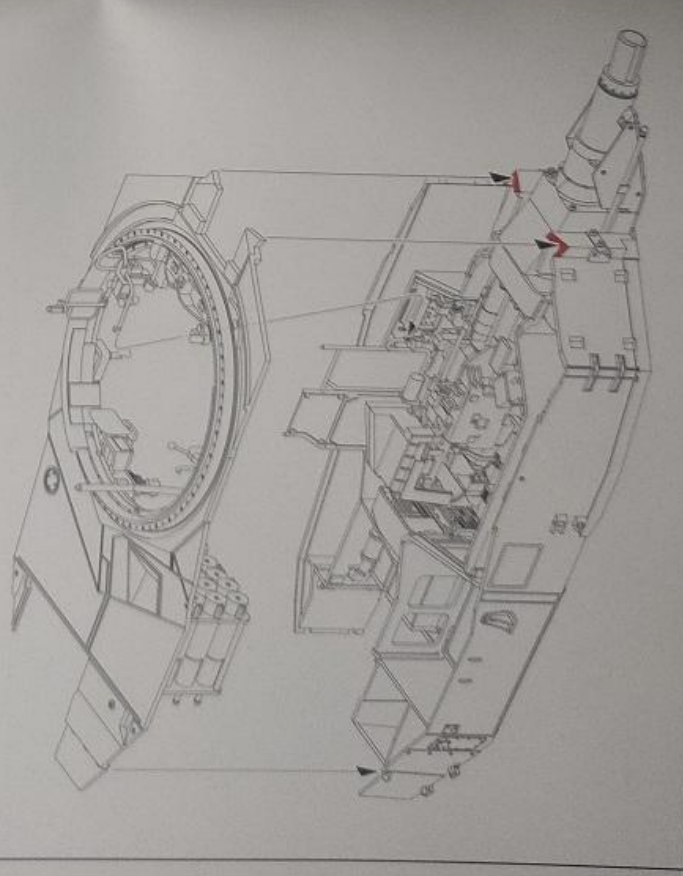


56

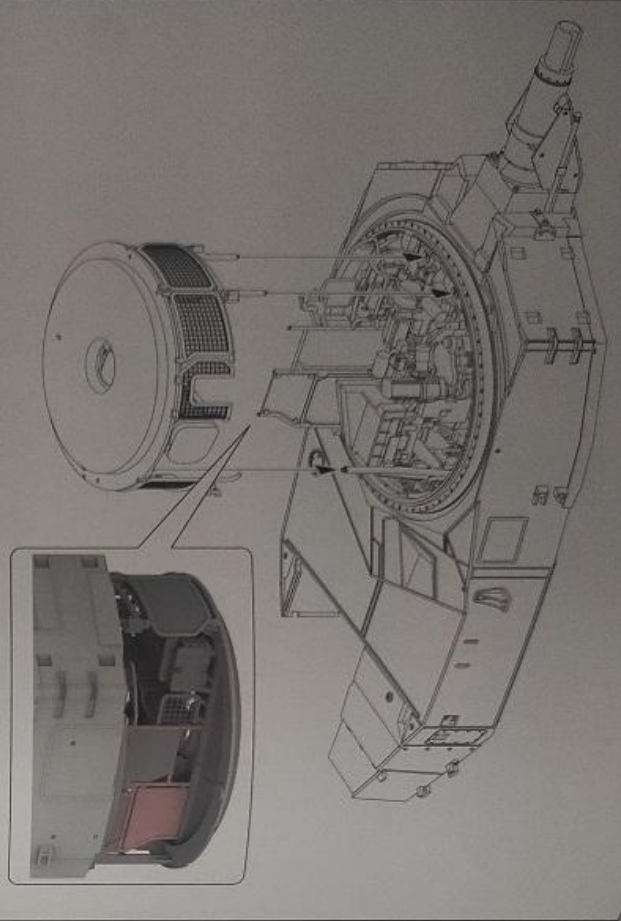
Choose the artillery activity  
not assembled the K11 part  
选择活动火炮时K11不安装

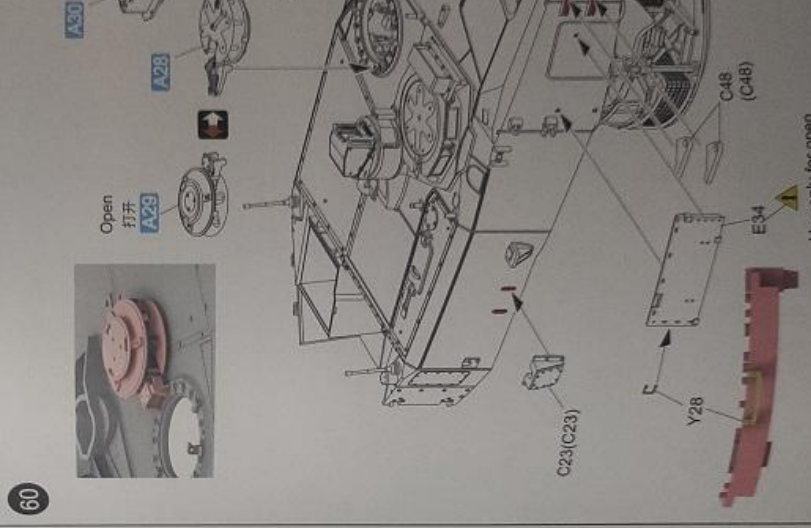
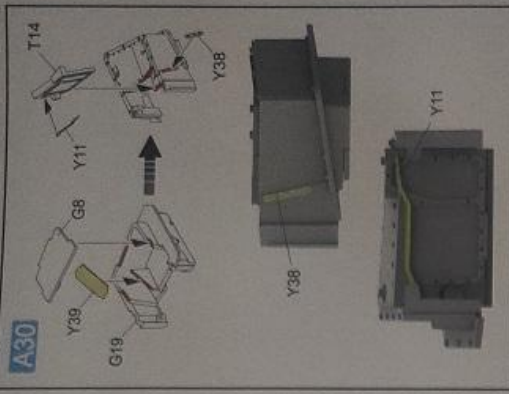
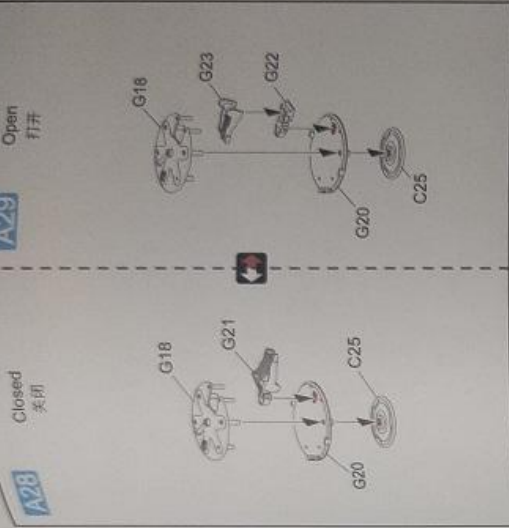
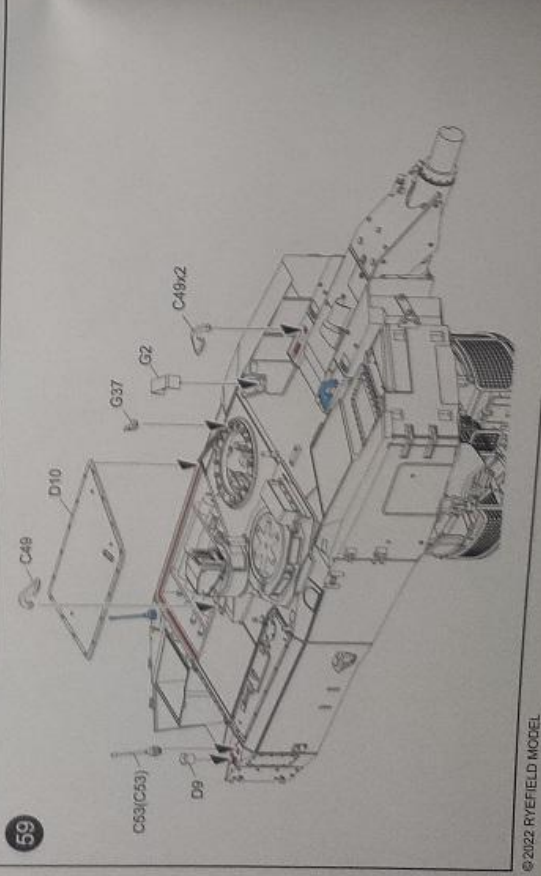
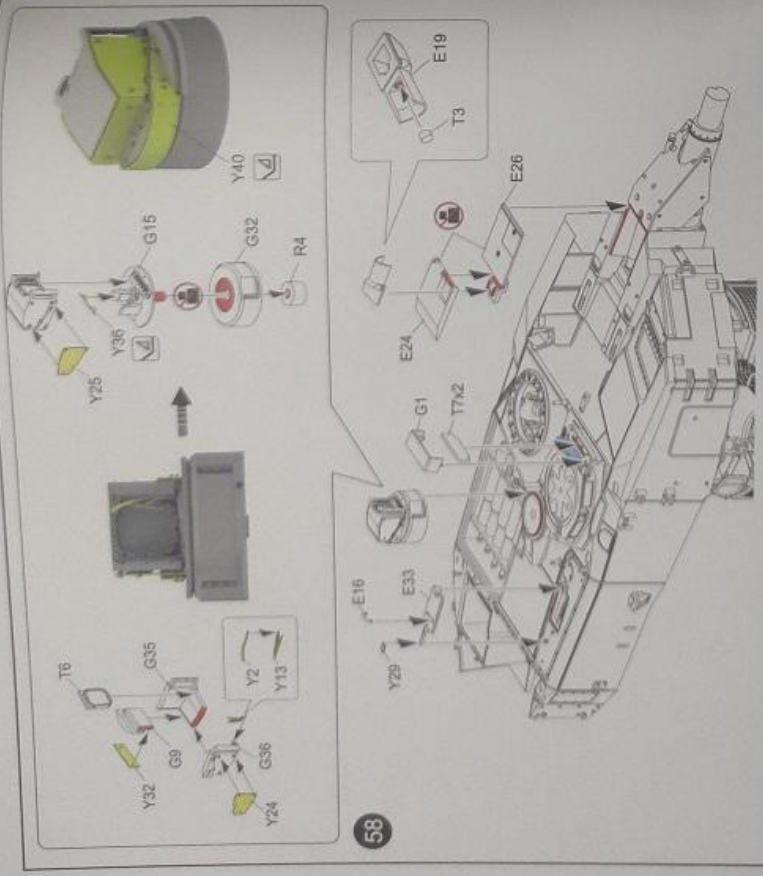


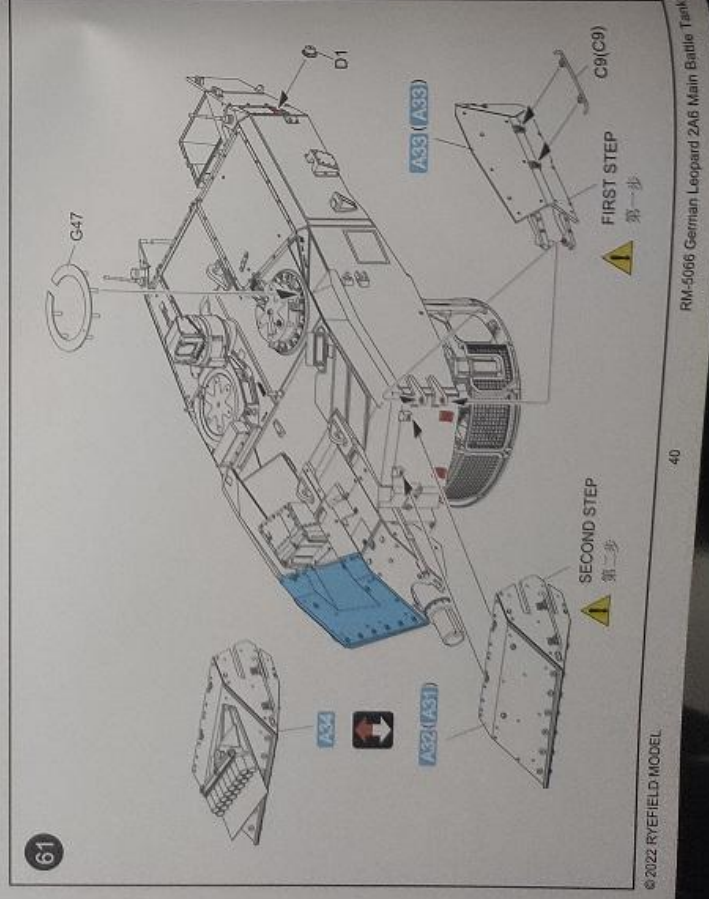
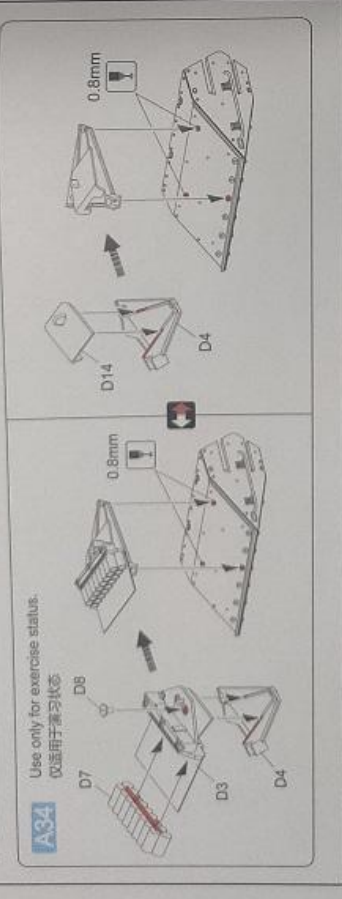
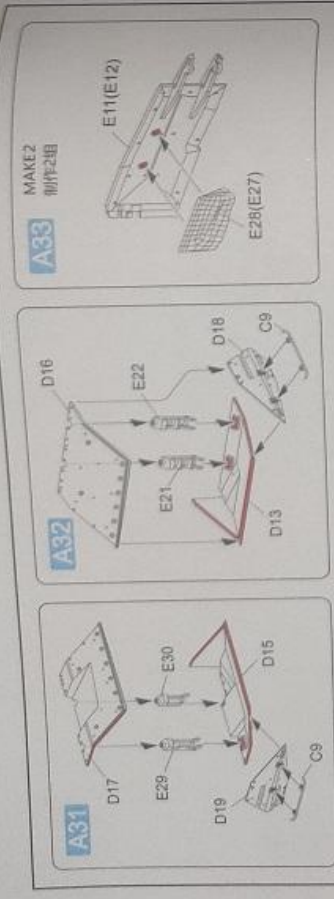
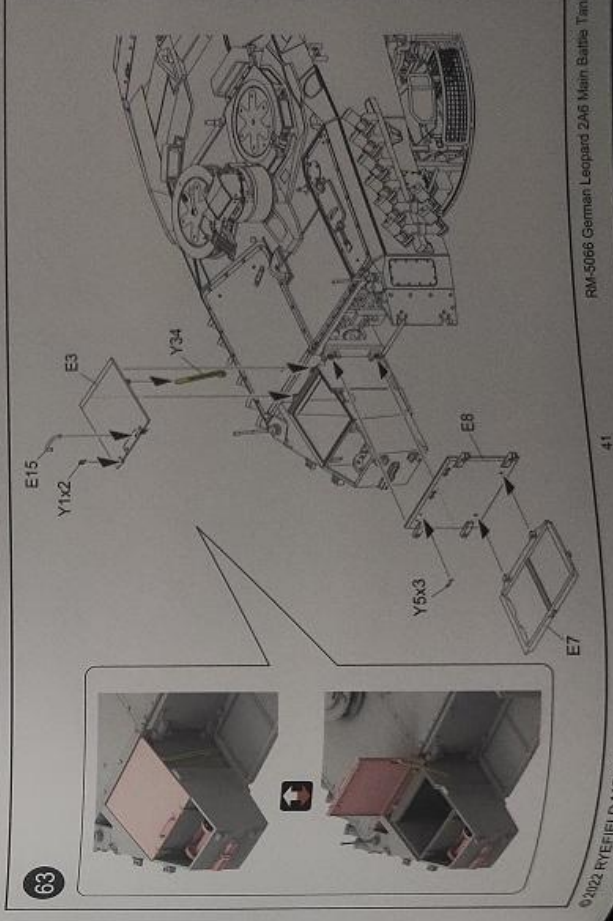
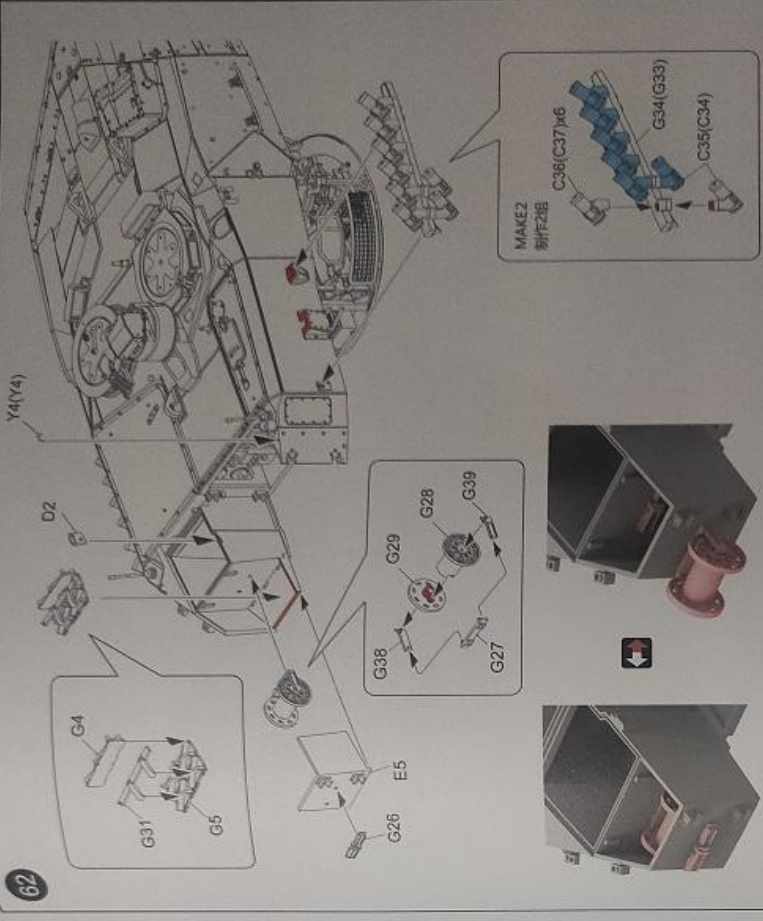
55



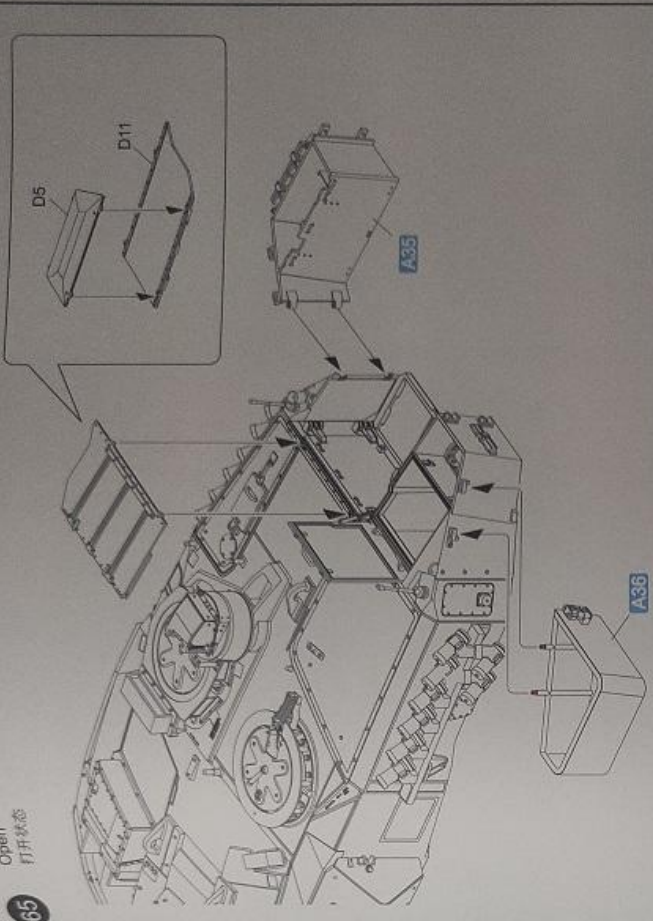
57





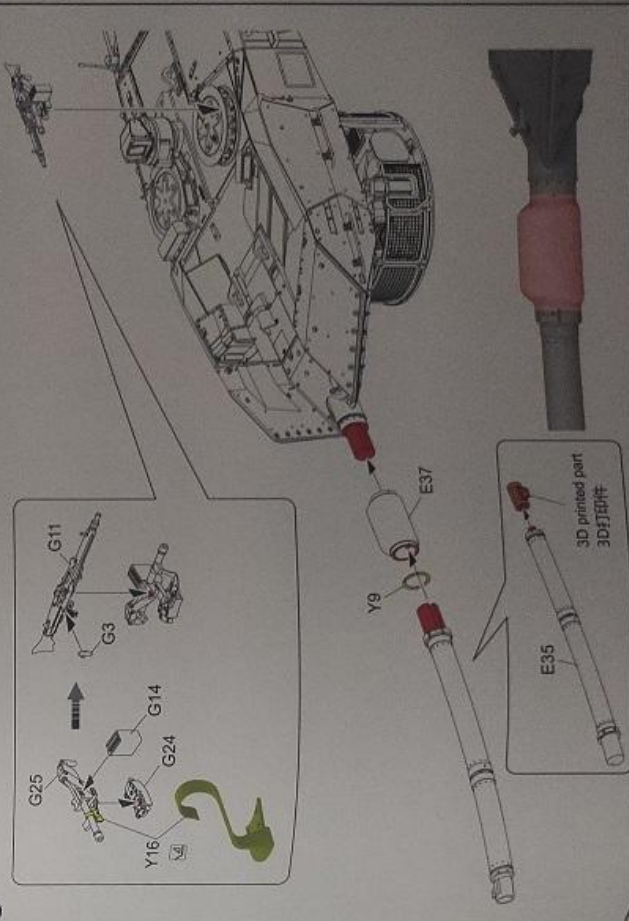


Open  
打开状态



65

66

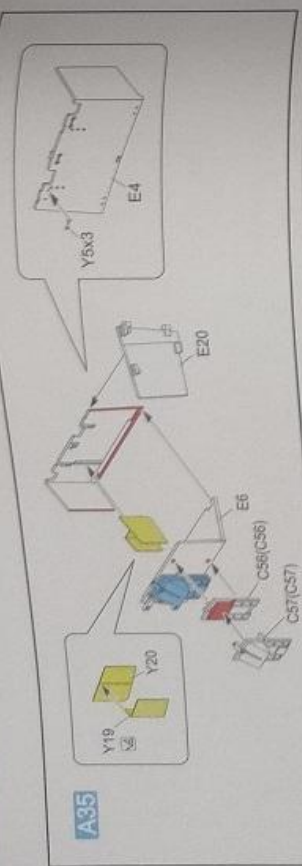


© 2022 RYEFIELD MODEL

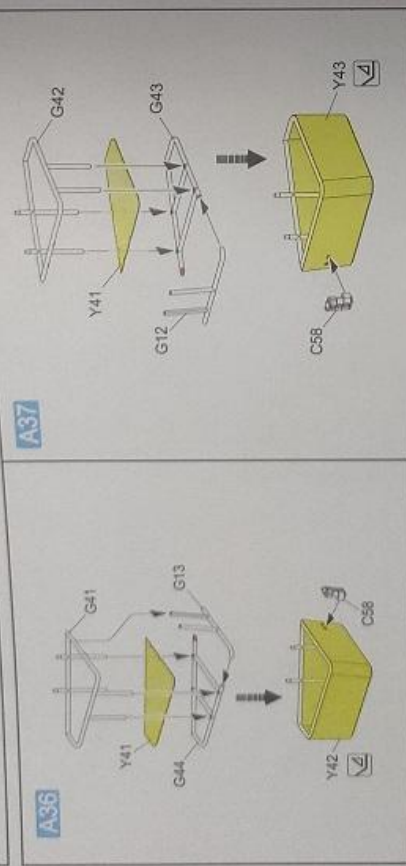
RM-5066 German Leopard 2A6 Main Battle Tank

43

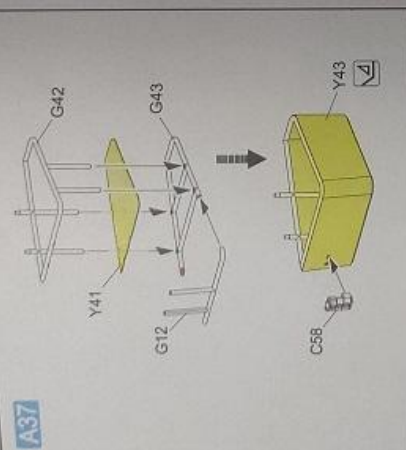
A35



A36

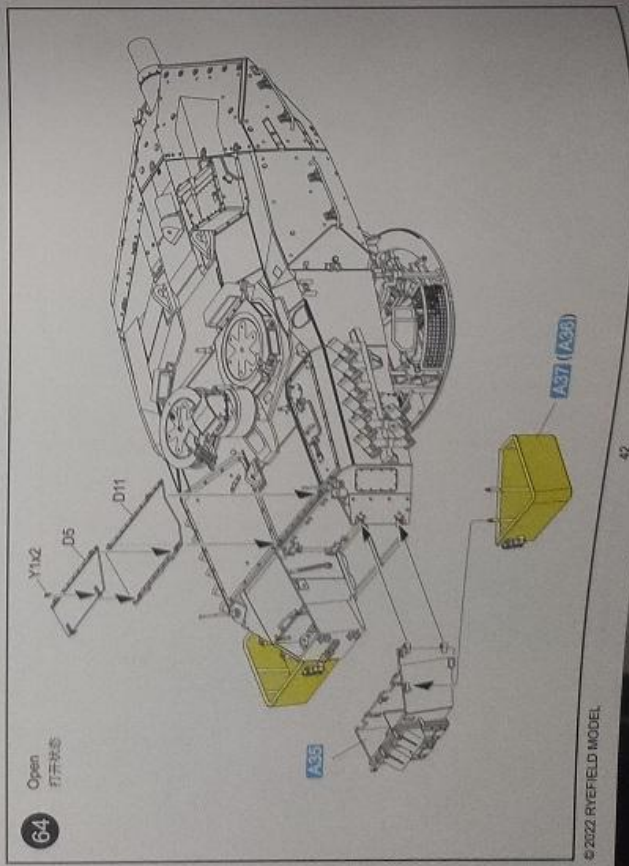


A37



64

Open  
打开状态



© 2022 RYEFIELD MODEL

RM-5066 German Leopard 2A6 Main Battle Tank

42

# LEOPARD II A6

Painting and Marking Guide



www.ammo.66



0074



0198

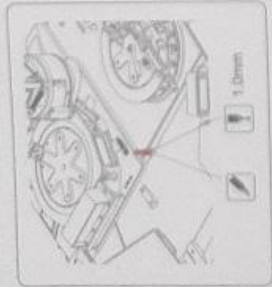
0032

0017

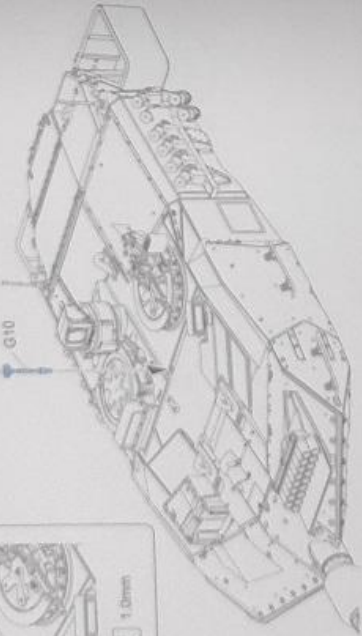


0049

67 Use only for exercise status.  
仅适用于演习状态。



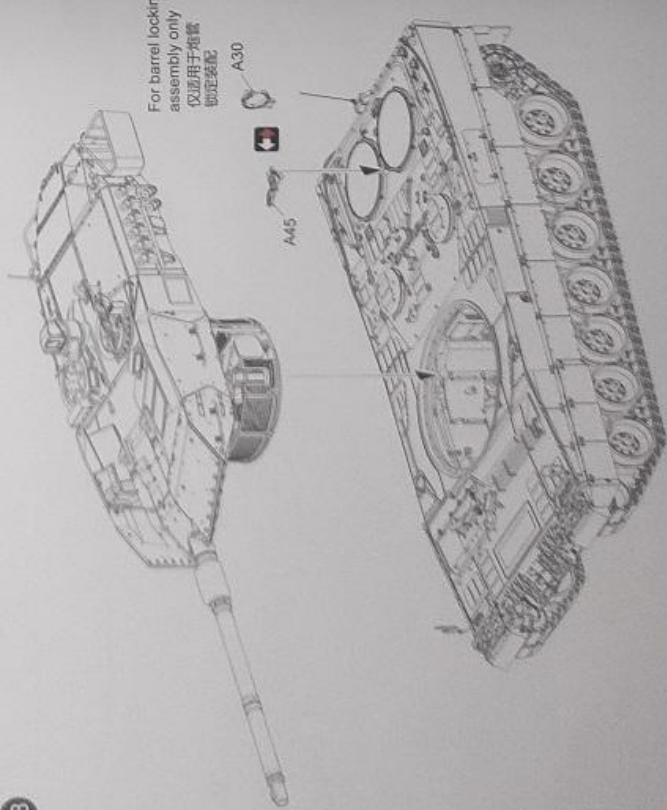
T1  
G10



68

For barrel locking assembly only.  
仅适用于炮管锁定装配。

A445  
A30



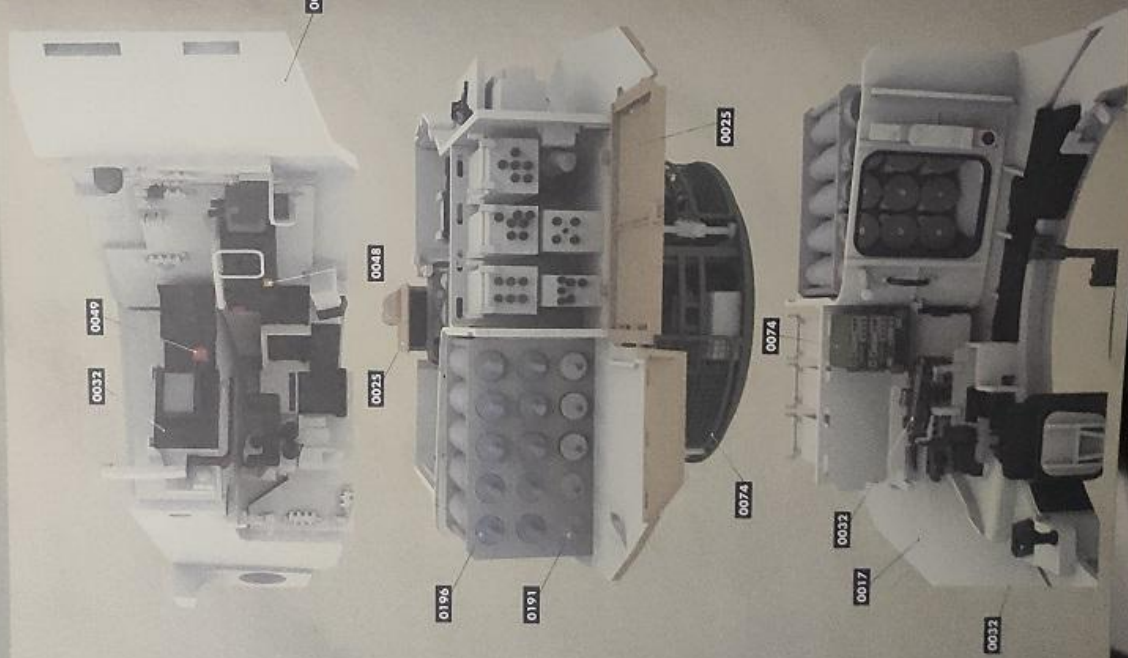
**RYFIELD MODEL**  
RYEFIELD MODEL

**AMMO**  
by MIG Jimenez  
www.ammo.es

# LEOPARD II A6

Painting and Marking Guide

-  AMMO-001
-  AMMO-002
-  AMMO-003
-  AMMO-004
-  AMMO-005
-  AMMO-006
-  AMMO-007
-  AMMO-008
-  AMMO-009
-  AMMO-010
-  AMMO-011
-  AMMO-012
-  AMMO-013
-  AMMO-014
-  AMMO-015
-  AMMO-016



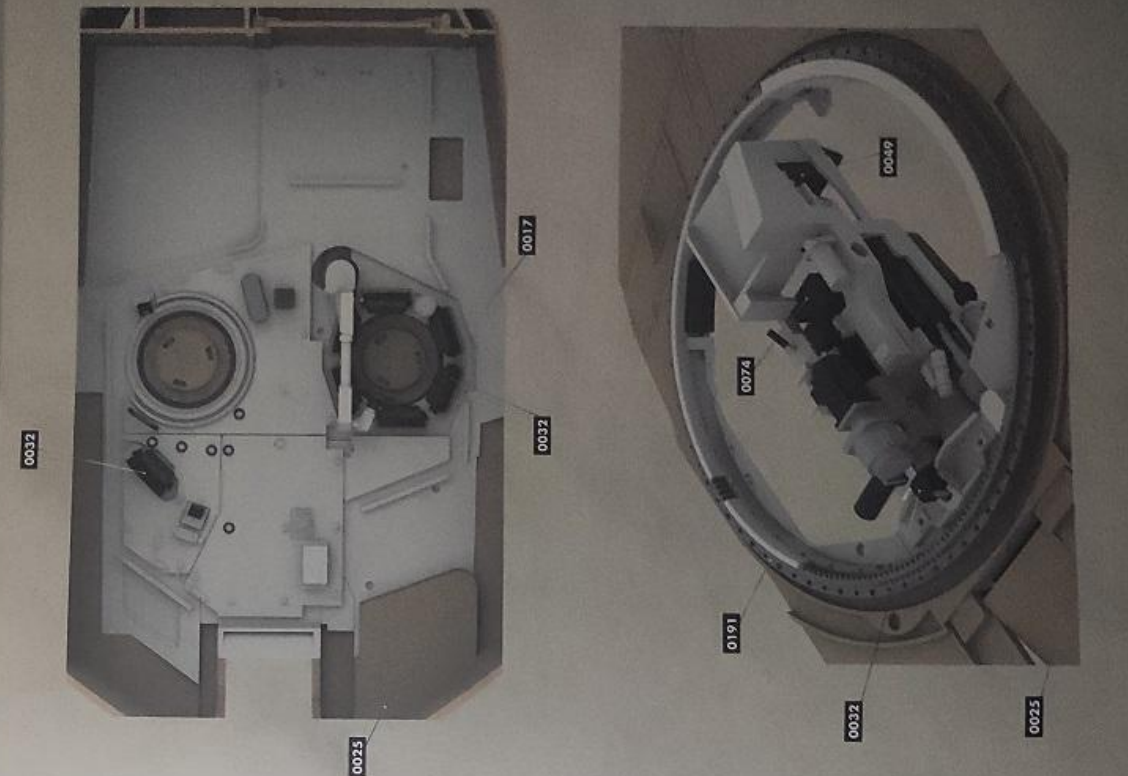
**RYFIELD MODEL**  
RYEFIELD MODEL

**AMMO**  
by MIG Jimenez  
www.ammo.es

# LEOPARD II A6

Painting and Marking Guide





-  AMMO-001
-  AMMO-002
-  AMMO-003
-  AMMO-004
-  AMMO-005
-  AMMO-006
-  AMMO-007
-  AMMO-008
-  AMMO-009
-  AMMO-010
-  AMMO-011
-  AMMO-012
-  AMMO-013
-  AMMO-014
-  AMMO-015
-  AMMO-016





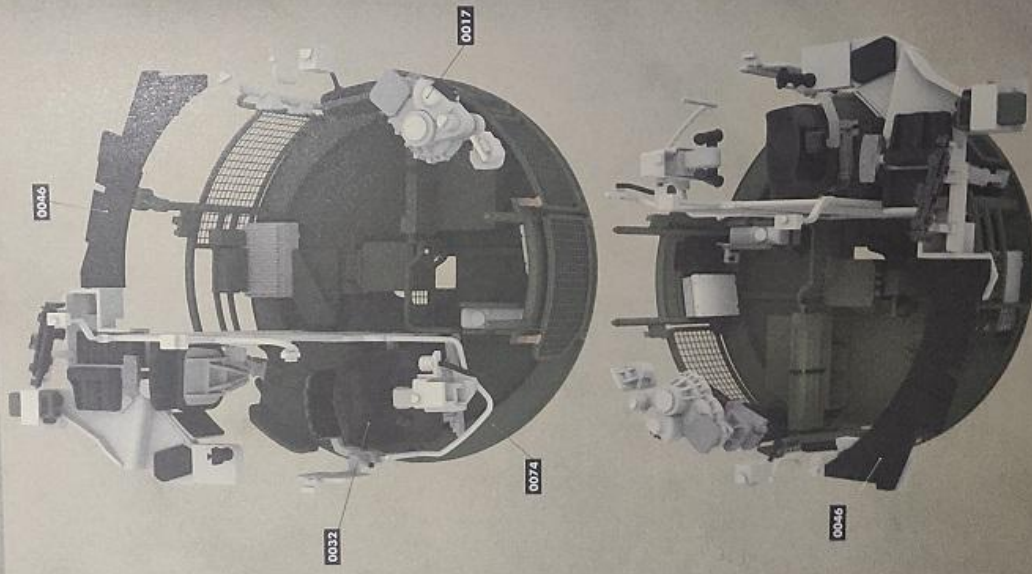
# LEOPARD II A6

Painting and Marking Guide

-  AMMO-017 Flat White
-  AMMO-022 Semi-Black
-  AMMO-024 Gun Metal
-  AMMO-046 Army Blue



www.amm0.es



RYEFIELD MODEL

Ref: RM-5066

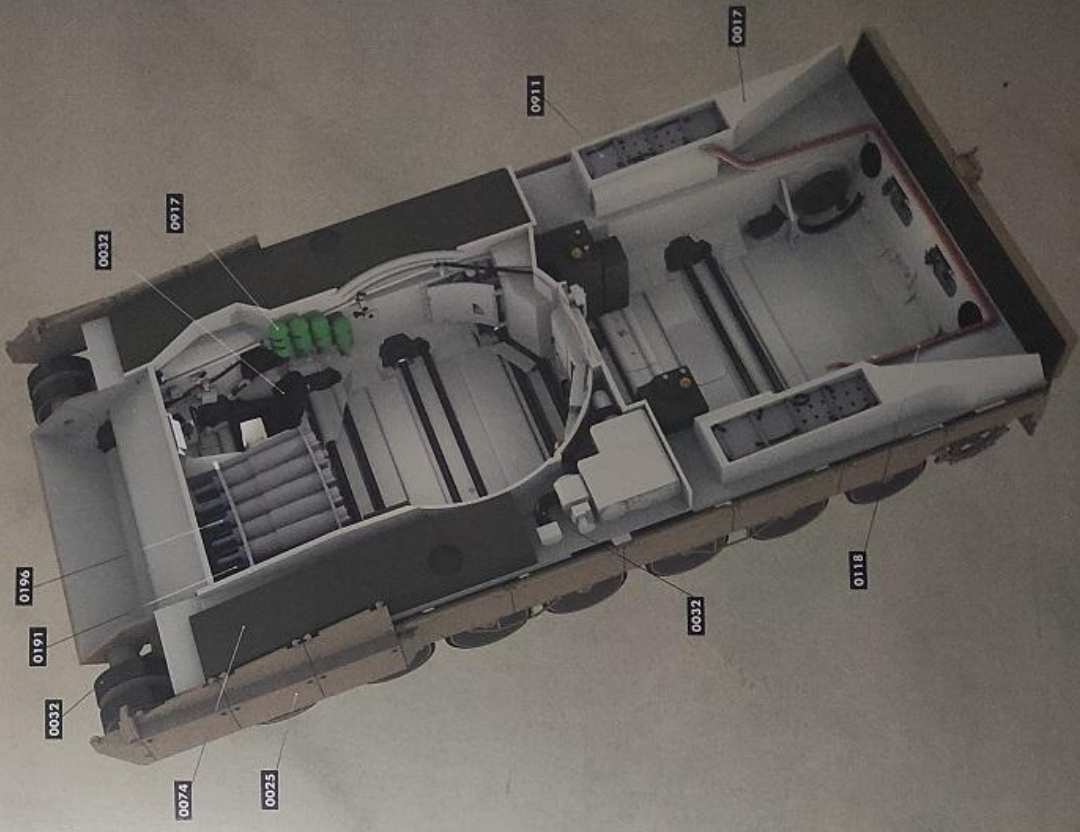
# LEOPARD II A6

Painting and Marking Guide

-  AMMO-017 Flat White
-  AMMO-022 Semi-Black
-  AMMO-023 Gun Metal
-  AMMO-032 Iron Oxide
-  AMMO-018 Burnt Red
-  AMMO-026 Army Blue
-  AMMO-011 Light Green



www.amm0.es



RYEFIELD MODEL

Ref: RM-5066

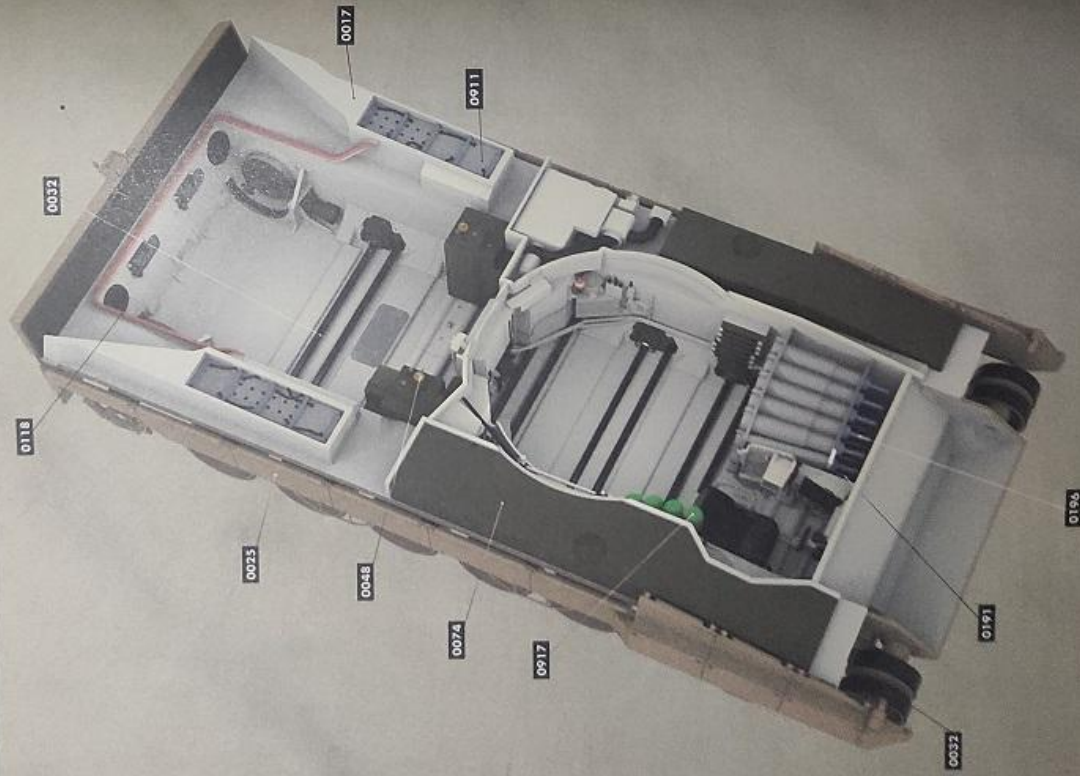
# LEOPARD II A6

Painting and Marking Guide

- AMMO-017 Olive Green
- AMMO-021 Desert Sand
- AMMO-022 Light Blue
- AMMO-023 Light Blue
- AMMO-024 Dark Blue
- AMMO-025 Light Blue
- AMMO-026 Light Blue
- AMMO-027 Olive Green
- AMMO-028 Olive Green
- AMMO-029 Olive Green
- AMMO-030 Olive Green
- AMMO-031 Olive Green
- AMMO-032 Olive Green
- AMMO-033 Olive Green
- AMMO-034 Olive Green
- AMMO-035 Olive Green
- AMMO-036 Olive Green
- AMMO-037 Olive Green
- AMMO-038 Olive Green
- AMMO-039 Olive Green
- AMMO-040 Olive Green
- AMMO-041 Olive Green
- AMMO-042 Olive Green
- AMMO-043 Olive Green
- AMMO-044 Olive Green
- AMMO-045 Olive Green
- AMMO-046 Olive Green
- AMMO-047 Olive Green
- AMMO-048 Olive Green
- AMMO-049 Olive Green
- AMMO-050 Olive Green
- AMMO-051 Olive Green
- AMMO-052 Olive Green
- AMMO-053 Olive Green
- AMMO-054 Olive Green
- AMMO-055 Olive Green
- AMMO-056 Olive Green
- AMMO-057 Olive Green
- AMMO-058 Olive Green
- AMMO-059 Olive Green
- AMMO-060 Olive Green
- AMMO-061 Olive Green
- AMMO-062 Olive Green
- AMMO-063 Olive Green
- AMMO-064 Olive Green
- AMMO-065 Olive Green
- AMMO-066 Olive Green
- AMMO-067 Olive Green
- AMMO-068 Olive Green
- AMMO-069 Olive Green
- AMMO-070 Olive Green
- AMMO-071 Olive Green
- AMMO-072 Olive Green
- AMMO-073 Olive Green
- AMMO-074 Olive Green
- AMMO-075 Olive Green
- AMMO-076 Olive Green
- AMMO-077 Olive Green
- AMMO-078 Olive Green
- AMMO-079 Olive Green
- AMMO-080 Olive Green
- AMMO-081 Olive Green
- AMMO-082 Olive Green
- AMMO-083 Olive Green
- AMMO-084 Olive Green
- AMMO-085 Olive Green
- AMMO-086 Olive Green
- AMMO-087 Olive Green
- AMMO-088 Olive Green
- AMMO-089 Olive Green
- AMMO-090 Olive Green
- AMMO-091 Olive Green
- AMMO-092 Olive Green
- AMMO-093 Olive Green
- AMMO-094 Olive Green
- AMMO-095 Olive Green
- AMMO-096 Olive Green
- AMMO-097 Olive Green
- AMMO-098 Olive Green
- AMMO-099 Olive Green
- AMMO-100 Olive Green



www.ammo.es



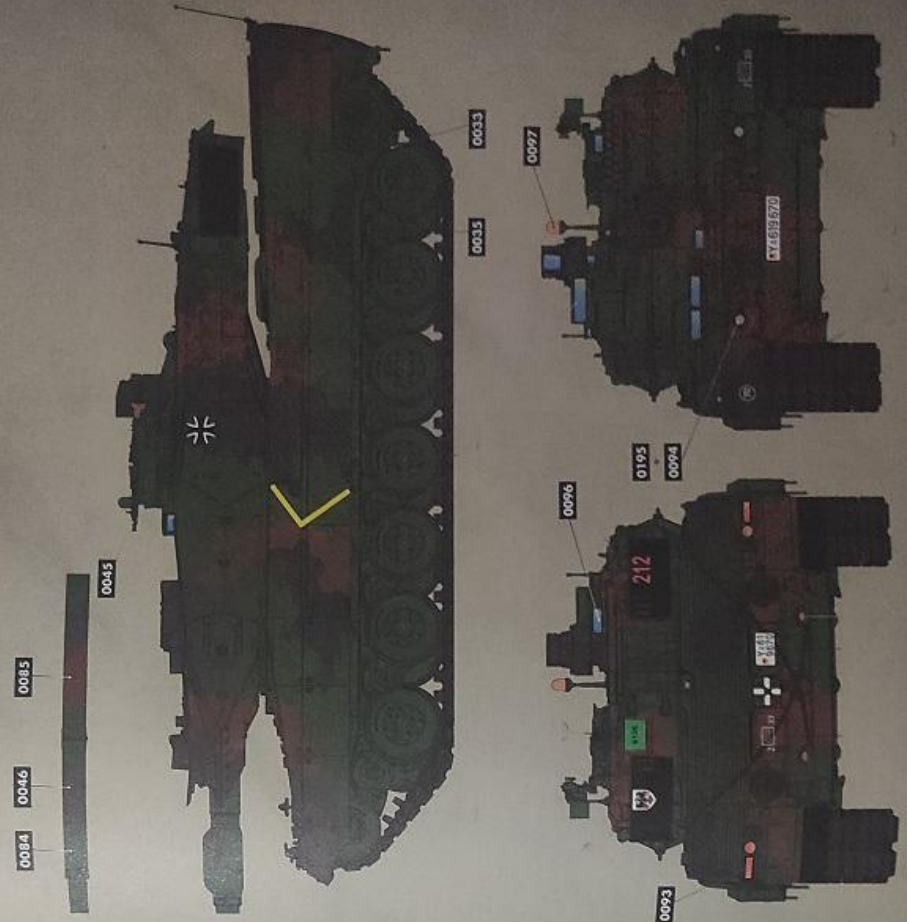
www.ammo.es

# LEOPARD II

Painting and Marking Guide

- AMMO-002 Olive Green
- AMMO-003 Olive Green
- AMMO-004 Olive Green
- AMMO-005 Olive Green
- AMMO-006 Olive Green
- AMMO-007 Olive Green
- AMMO-008 Olive Green
- AMMO-009 Olive Green
- AMMO-010 Olive Green
- AMMO-011 Olive Green
- AMMO-012 Olive Green
- AMMO-013 Olive Green
- AMMO-014 Olive Green
- AMMO-015 Olive Green
- AMMO-016 Olive Green
- AMMO-017 Olive Green
- AMMO-018 Olive Green
- AMMO-019 Olive Green
- AMMO-020 Olive Green
- AMMO-021 Olive Green
- AMMO-022 Olive Green
- AMMO-023 Olive Green
- AMMO-024 Olive Green
- AMMO-025 Olive Green
- AMMO-026 Olive Green
- AMMO-027 Olive Green
- AMMO-028 Olive Green
- AMMO-029 Olive Green
- AMMO-030 Olive Green
- AMMO-031 Olive Green
- AMMO-032 Olive Green
- AMMO-033 Olive Green
- AMMO-034 Olive Green
- AMMO-035 Olive Green
- AMMO-036 Olive Green
- AMMO-037 Olive Green
- AMMO-038 Olive Green
- AMMO-039 Olive Green
- AMMO-040 Olive Green
- AMMO-041 Olive Green
- AMMO-042 Olive Green
- AMMO-043 Olive Green
- AMMO-044 Olive Green
- AMMO-045 Olive Green
- AMMO-046 Olive Green
- AMMO-047 Olive Green
- AMMO-048 Olive Green
- AMMO-049 Olive Green
- AMMO-050 Olive Green
- AMMO-051 Olive Green
- AMMO-052 Olive Green
- AMMO-053 Olive Green
- AMMO-054 Olive Green
- AMMO-055 Olive Green
- AMMO-056 Olive Green
- AMMO-057 Olive Green
- AMMO-058 Olive Green
- AMMO-059 Olive Green
- AMMO-060 Olive Green
- AMMO-061 Olive Green
- AMMO-062 Olive Green
- AMMO-063 Olive Green
- AMMO-064 Olive Green
- AMMO-065 Olive Green
- AMMO-066 Olive Green
- AMMO-067 Olive Green
- AMMO-068 Olive Green
- AMMO-069 Olive Green
- AMMO-070 Olive Green
- AMMO-071 Olive Green
- AMMO-072 Olive Green
- AMMO-073 Olive Green
- AMMO-074 Olive Green
- AMMO-075 Olive Green
- AMMO-076 Olive Green
- AMMO-077 Olive Green
- AMMO-078 Olive Green
- AMMO-079 Olive Green
- AMMO-080 Olive Green
- AMMO-081 Olive Green
- AMMO-082 Olive Green
- AMMO-083 Olive Green
- AMMO-084 Olive Green
- AMMO-085 Olive Green
- AMMO-086 Olive Green
- AMMO-087 Olive Green
- AMMO-088 Olive Green
- AMMO-089 Olive Green
- AMMO-090 Olive Green
- AMMO-091 Olive Green
- AMMO-092 Olive Green
- AMMO-093 Olive Green
- AMMO-094 Olive Green
- AMMO-095 Olive Green
- AMMO-096 Olive Green
- AMMO-097 Olive Green
- AMMO-098 Olive Green
- AMMO-099 Olive Green
- AMMO-100 Olive Green

261st Platoon, 2nd Company, 35rd Armour  
German Army Combat Training Centre



WEATHERING STEPS WITH AMMO PRODUCTS

- 1 GENERAL WEAR  
AMMO-1000 Crack Weather
- 2 RUST  
AMMO-1001 Rust  
AMMO-1002 Rust  
AMMO-1003 Rust  
AMMO-1004 Rust  
AMMO-1005 Rust  
AMMO-1006 Rust  
AMMO-1007 Rust  
AMMO-1008 Rust  
AMMO-1009 Rust  
AMMO-1010 Rust
- 3 WEATHERING  
AMMO-1011 Weathering  
AMMO-1012 Weathering  
AMMO-1013 Weathering  
AMMO-1014 Weathering  
AMMO-1015 Weathering  
AMMO-1016 Weathering  
AMMO-1017 Weathering  
AMMO-1018 Weathering  
AMMO-1019 Weathering  
AMMO-1020 Weathering
- 4 WEATHERING  
AMMO-1021 Weathering  
AMMO-1022 Weathering  
AMMO-1023 Weathering  
AMMO-1024 Weathering  
AMMO-1025 Weathering  
AMMO-1026 Weathering  
AMMO-1027 Weathering  
AMMO-1028 Weathering  
AMMO-1029 Weathering  
AMMO-1030 Weathering
- 5 WEATHERING  
AMMO-1031 Weathering  
AMMO-1032 Weathering  
AMMO-1033 Weathering  
AMMO-1034 Weathering  
AMMO-1035 Weathering  
AMMO-1036 Weathering  
AMMO-1037 Weathering  
AMMO-1038 Weathering  
AMMO-1039 Weathering  
AMMO-1040 Weathering
- 6 WEAR  
AMMO-1041 Wear  
AMMO-1042 Wear  
AMMO-1043 Wear  
AMMO-1044 Wear  
AMMO-1045 Wear  
AMMO-1046 Wear  
AMMO-1047 Wear  
AMMO-1048 Wear  
AMMO-1049 Wear  
AMMO-1050 Wear

# LEOPARD II

## Painting and Marking Guide



by MIG Jimenez

www.ammo.es

- A.MIG-0032 Iron Black
- A.MIG-0033 Rubber & Iron
- A.MIG-0035 Dark Toffee
- A.MIG-0040 Gun Tint
- A.MIG-0046 Matt Black
- A.MIG-0084 Faded Green
- A.MIG-0085 Light Brown
- A.MIG-0081 Crystal Pink
- A.MIG-0094 Crystal Green
- A.MIG-0096 Crystal Emerald Green
- A.MIG-0097 Crystal Orange
- A.MIG-0106 Silver

3rd Company, 104th armour battalion  
from pfreimd.



### WEATHERING STEPS WITH AMMO PRODUCTS

<b>1 GENERAL WASH</b> A.MIG-1000 Dark Wash	<b>3 STREAKING</b> A.MIG-1253 Streaking/washer Grime	<b>5 RAINMARKS</b> A.MIG-1200 Rainmarks Effects	<b>7 MUD</b> A.MIG-1703 Mud Ground	<b>9 FUEL</b> A.MIG-1404 Fuel Stains
<b>2 FILTER</b> A.MIG-1800 Green for Grey Green	<b>4 WHEELS WASH</b> A.MIG-1403 Earth	<b>6 DUST</b> A.MIG-3030 Factory Dirt Ground Pigment	<b>8 SPLASHES</b> A.MIG-1752 Loose Ground	<b>10 OIL</b> A.MIG-1405 Fresh Engine Oil