

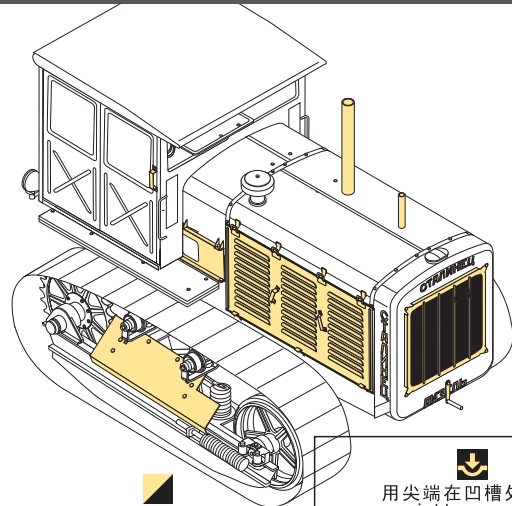
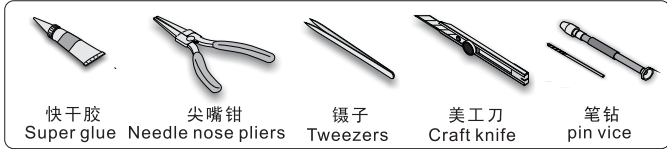
1/35 MILITARY MINIATURE VEHICLE UPGRADE SERIES PE35619

WWII Soviet ChTZ S-65 Tractor w/Cab

二战苏联S-65拖拉机(带驾驶室)改造件

[For TRUMPETER 05539]

推荐使用工具 RECOMMENDED TOOLS

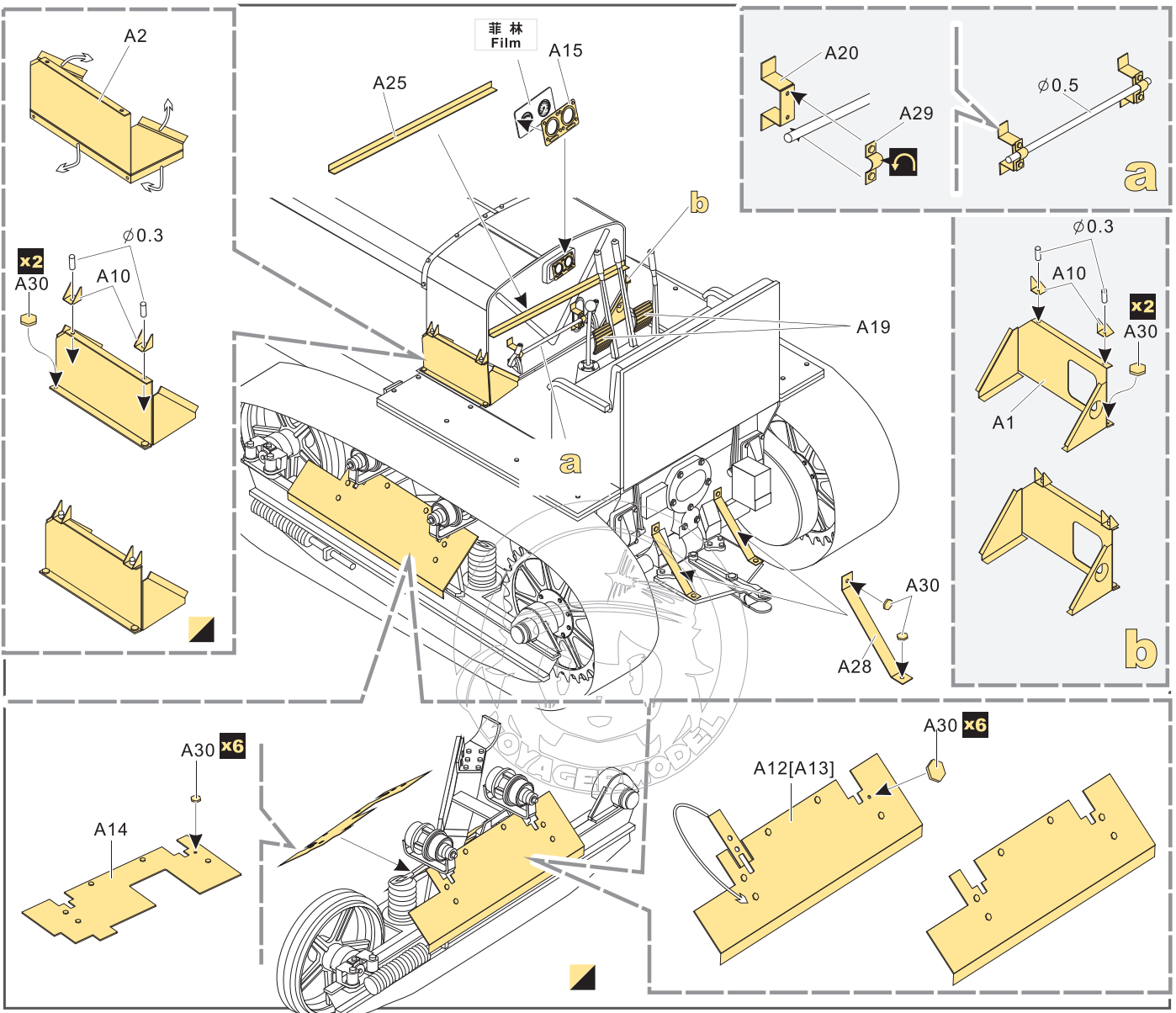


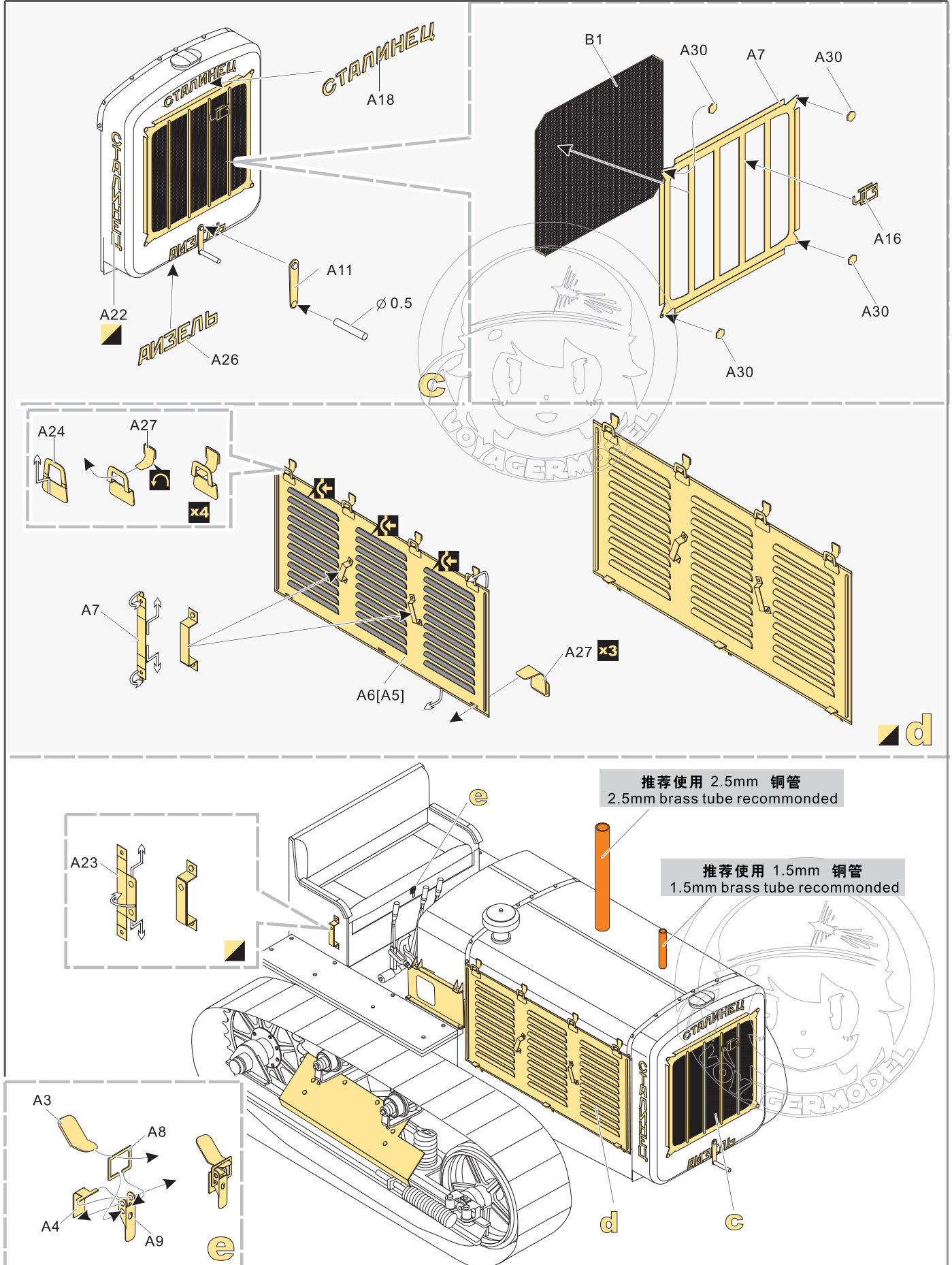
用尖端在凹槽处冲压
use penpoint to press on the dent

蚀刻片零件内侧面向上
Put the part upside down

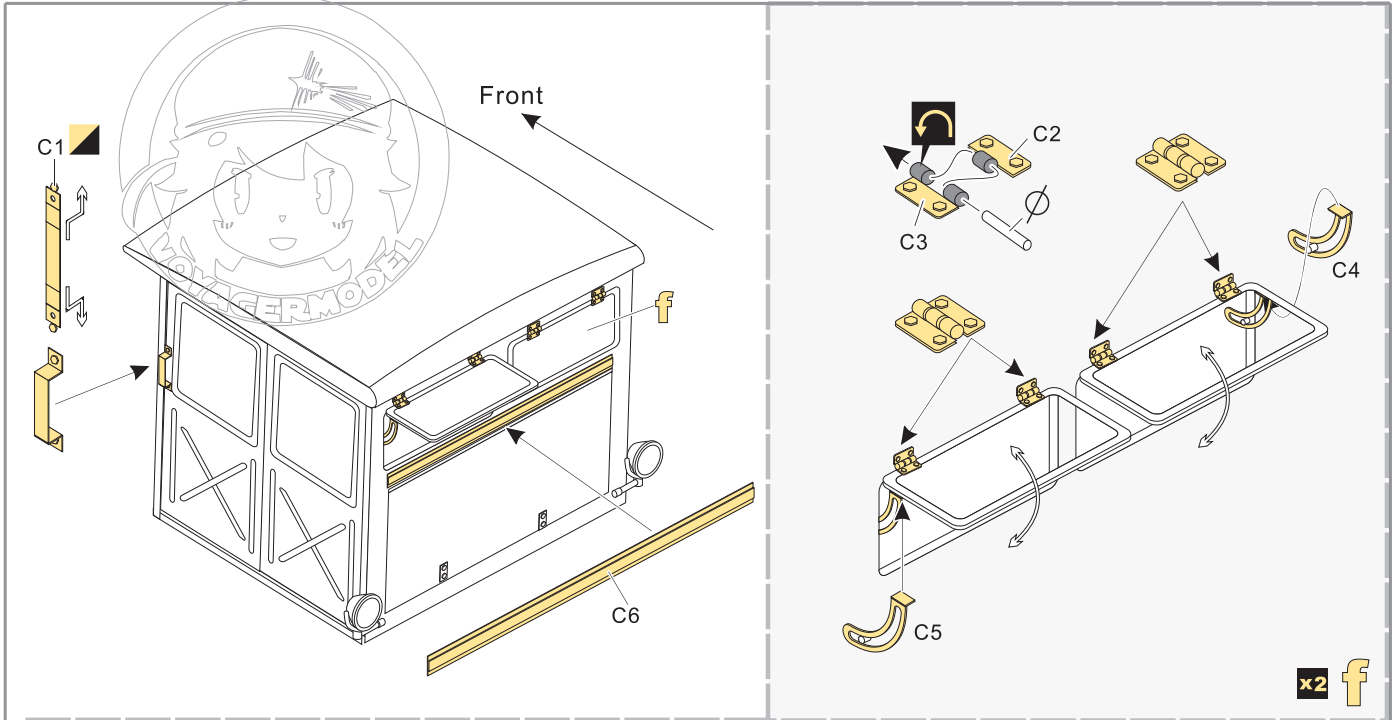
用笔尖在凹槽处刺
Use penpoint to press on the dent

- ↑
安装
install
- ↩
折叠
bend
- A1**
改造件零件编号
PE/resin part number
- B12**
原零件编号
kit part number
- C22**
被替换的原零件编号
replaced kit part number
- 另一侧相同制作
repeat on opposite side
- 切除
remove
- 打磨
grind off
- 弧度卷曲
radial bending
- x2**
制作若干组
multiple assembly
- 选择安装
alternative
- 钻孔
drill





1/35 MILITARY MINIATURE VEHICLE UPGRADE SERIES PE35619



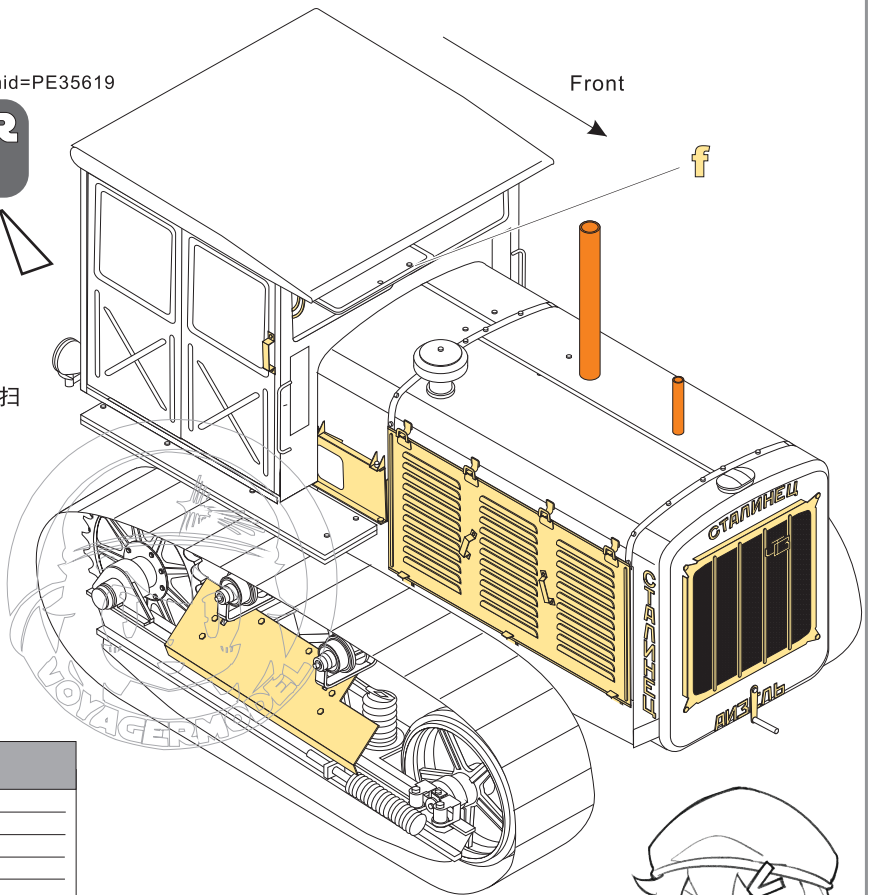
[Http://www.voyagermodel.com/productdetails.asp?itemid=PE35619](http://www.voyagermodel.com/productdetails.asp?itemid=PE35619)



**VOYAGER
MODEL**



更多PE35619样品照片参考请扫一扫
MORE PICTUER OF PE 35619
REFERENCE SCAN HERE



VOYAGERMODEL[®] 无微不至 悦享享受
The Best Upgrade Solution

Recommended item

PE 35394	WWII German 88mm FlaK 37 mit Behelfslafette
PE 35407	WWII German Benz L4500A truck
PE 35432	WWII Russian Studebaker US6 Truck
PE 35457	WWII Soviet Aerosan RF-8/GAZ-98
PE 35465	WWII U.S. GMC 2.5ton 6X6 Cargo Truck
PE 35516	WWII Soviet T-70M Light Tank basic
PE 35518	WWII Soviet ChTZ S-65 Tractor
PE 35519	WWII Soviet 152mm Howitzer-Gun M1937 ML-20
PE 35526	WWII Soviet GAZ-AAA Mod.1940 Cargo TRUCK
PE 35539	WWII Soviet T-26 Light Infantry Tank Mod.1931 Basic
PE 35559	WWII French Simca 5 Staff Car (German Army)
PE 35575	WWII Soviet T-26 Light Infantry Tank Mod.1935 (Gun barrel Includ

Hi, I am VIVI. Nice to meet you!

Please read the instructions
thoroughly before assembly

