

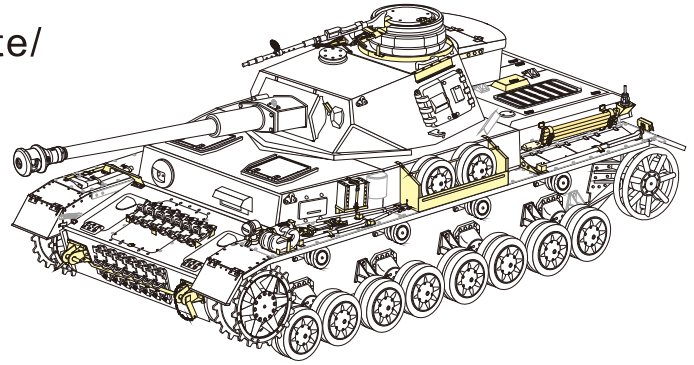
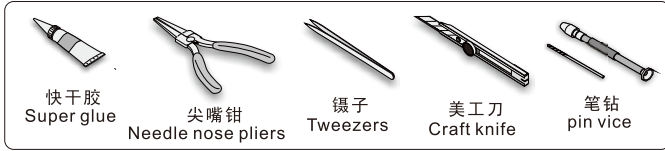
1/35 MILITARY MINIATURE VEHICLE UPGRADE SERIES PE 35327

WWII German Panzer.IV Ausf.H late/ J early version

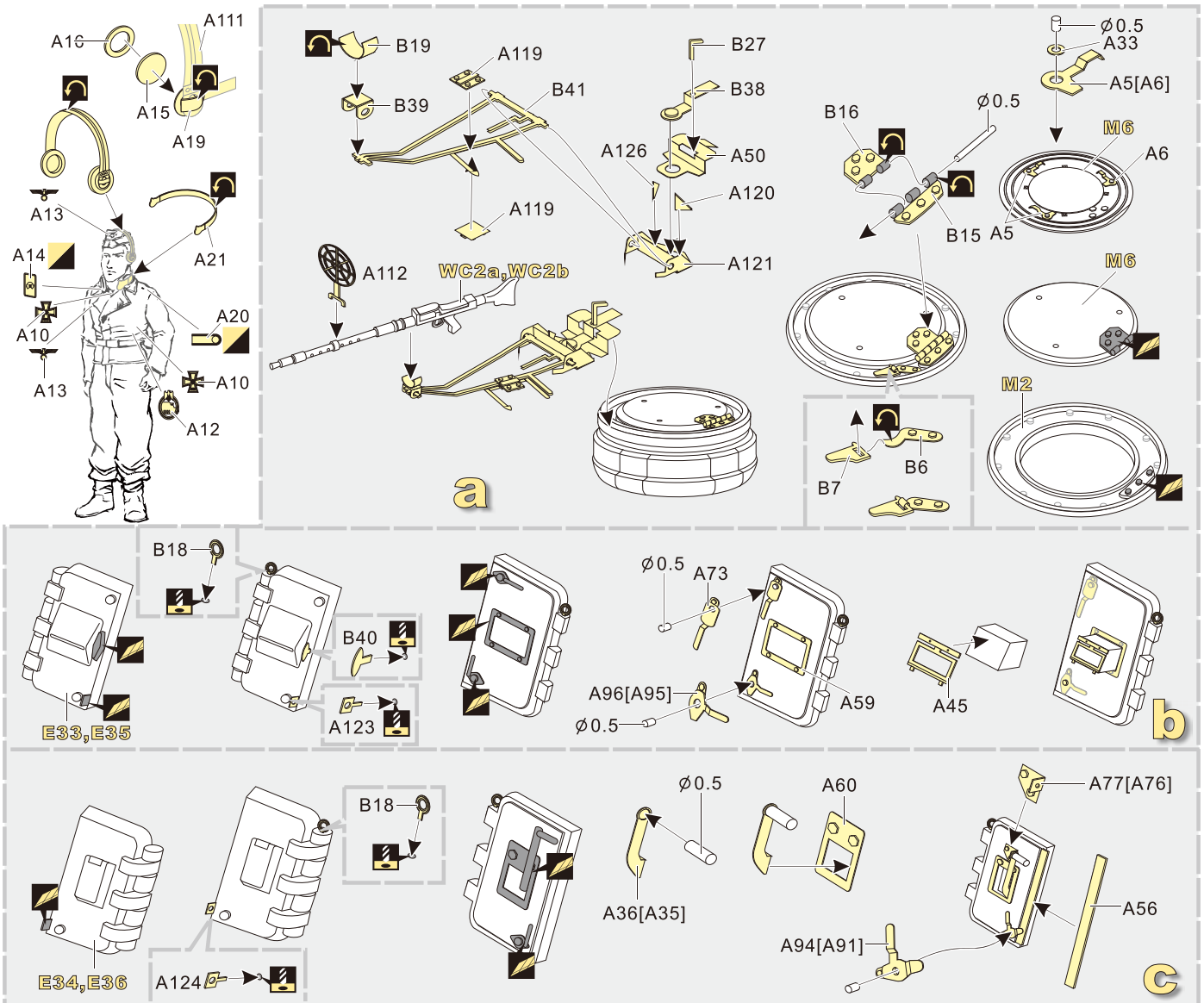
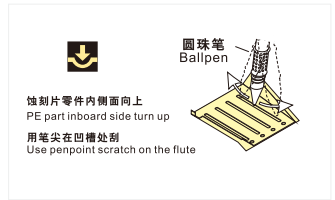
二战德军IV号坦克H晚期型/J早期型改造件

[For DRAGON 6300/6549/6556]

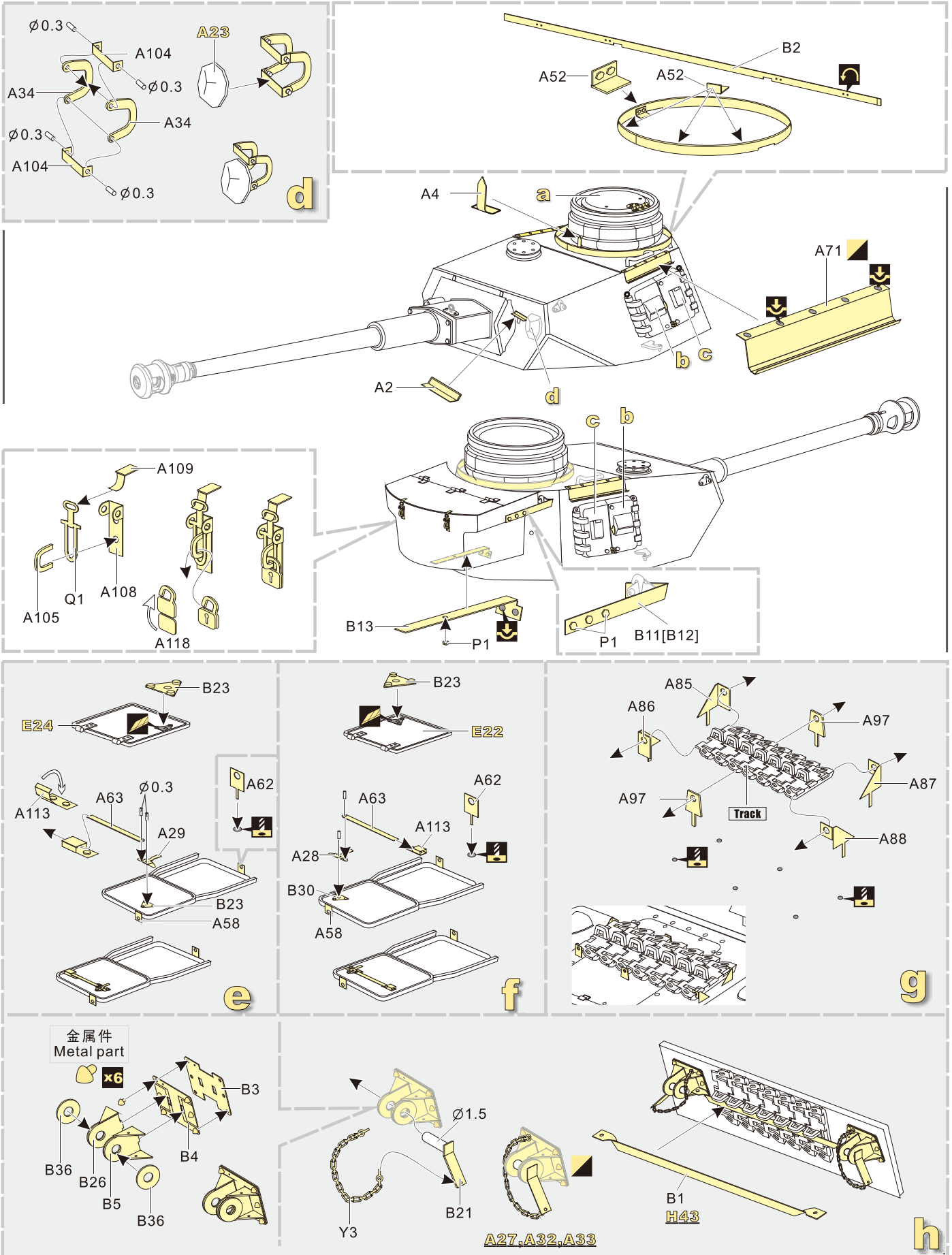
推荐使用工具 RECOMMENDED TOOLS



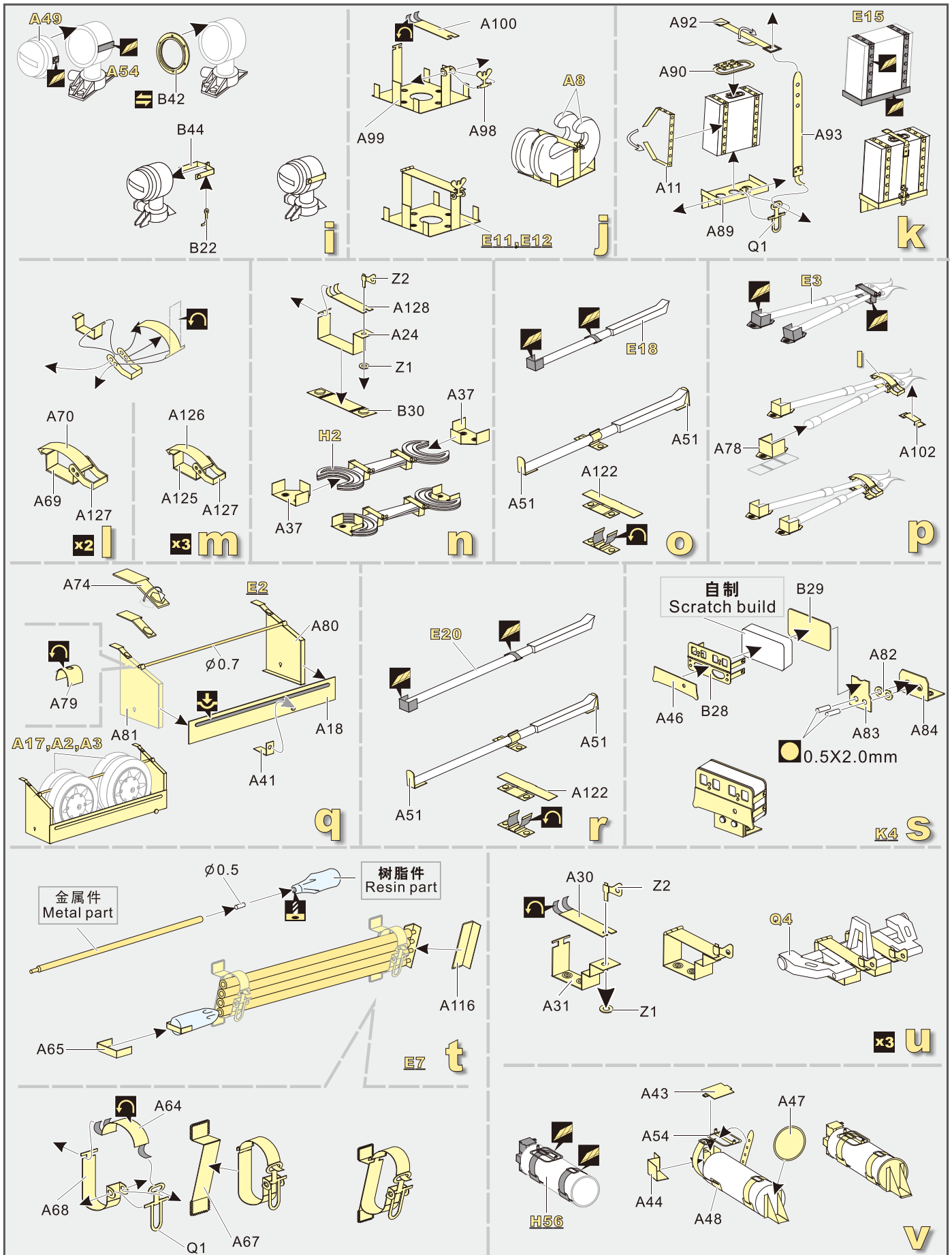
- 安装 install
- 折叠 bend
- A1**
改造件零件编号
PE/resin part number
- B12**
原零件编号
kit part number
- C22**
被替换的原零件编号
replaced kit part number
- x2**
制作若干组
multiple assembly
- 弧度卷曲
radial bending
- 选择安装
alternative
- 切除
remove
- 钻孔
drill
- 注意
caution
- 另一侧相同制作
repeat on opposite side
- 用尖端在凹槽处冲压
use penpoint to press on the dent
- 打磨
grind off
- 用铜管制作
make from brass tube
- 用胶棒制作
make from plastic rod



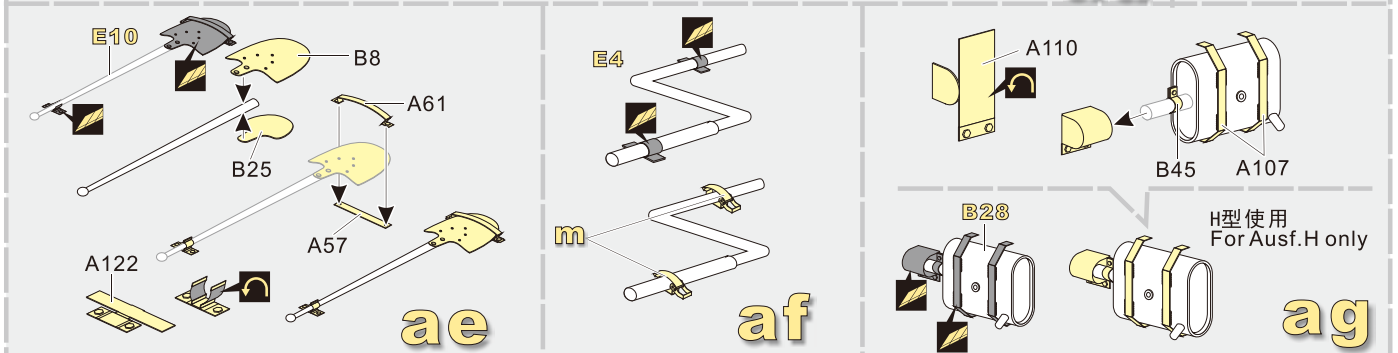
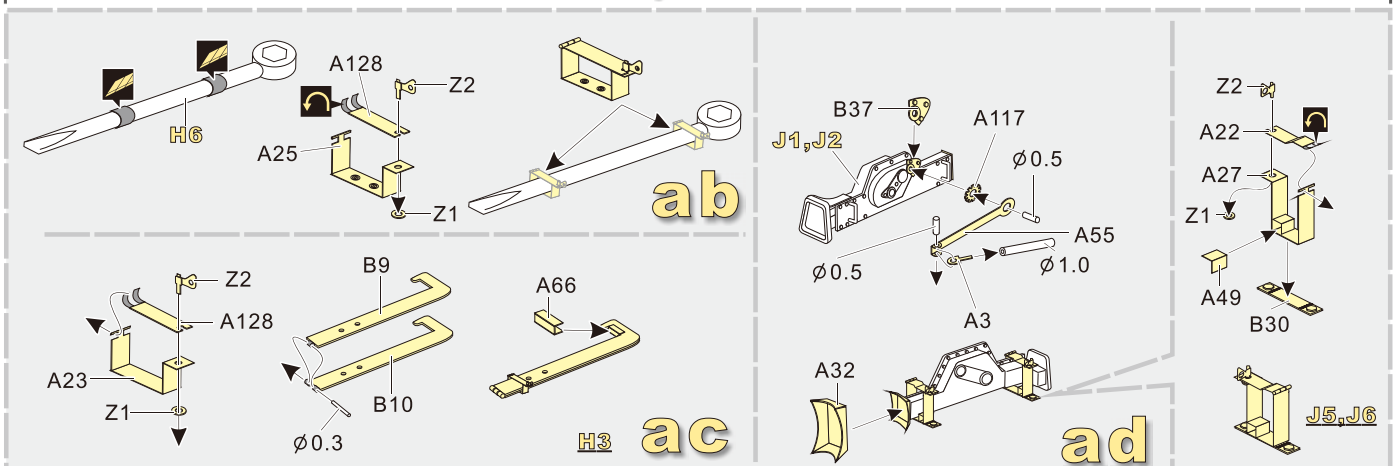
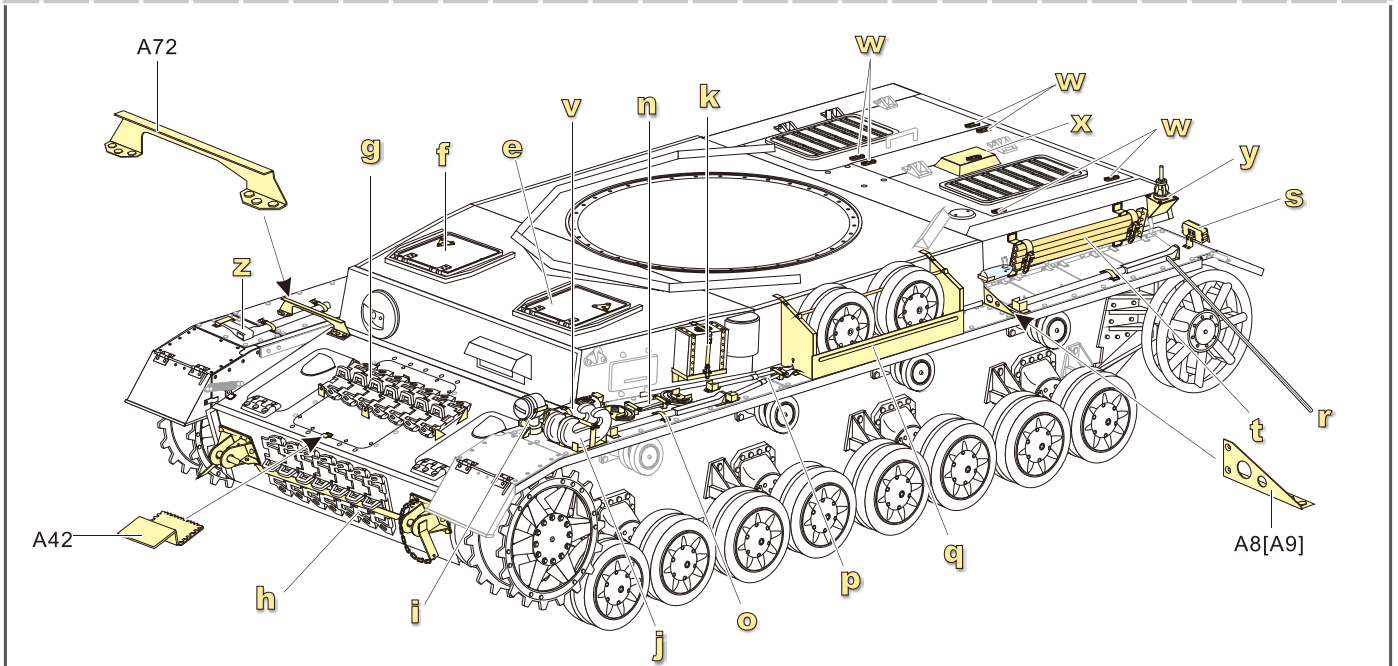
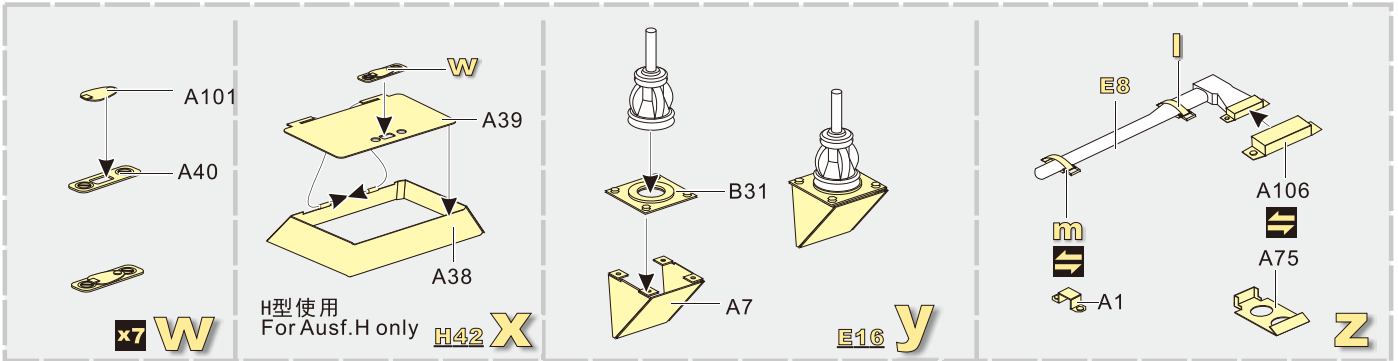
1/35 MILITARY MINIATURE VEHICLE UPGRADE SERIES PE35327



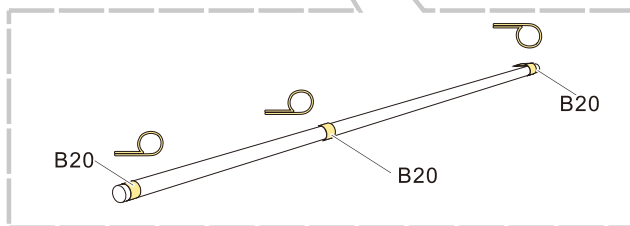
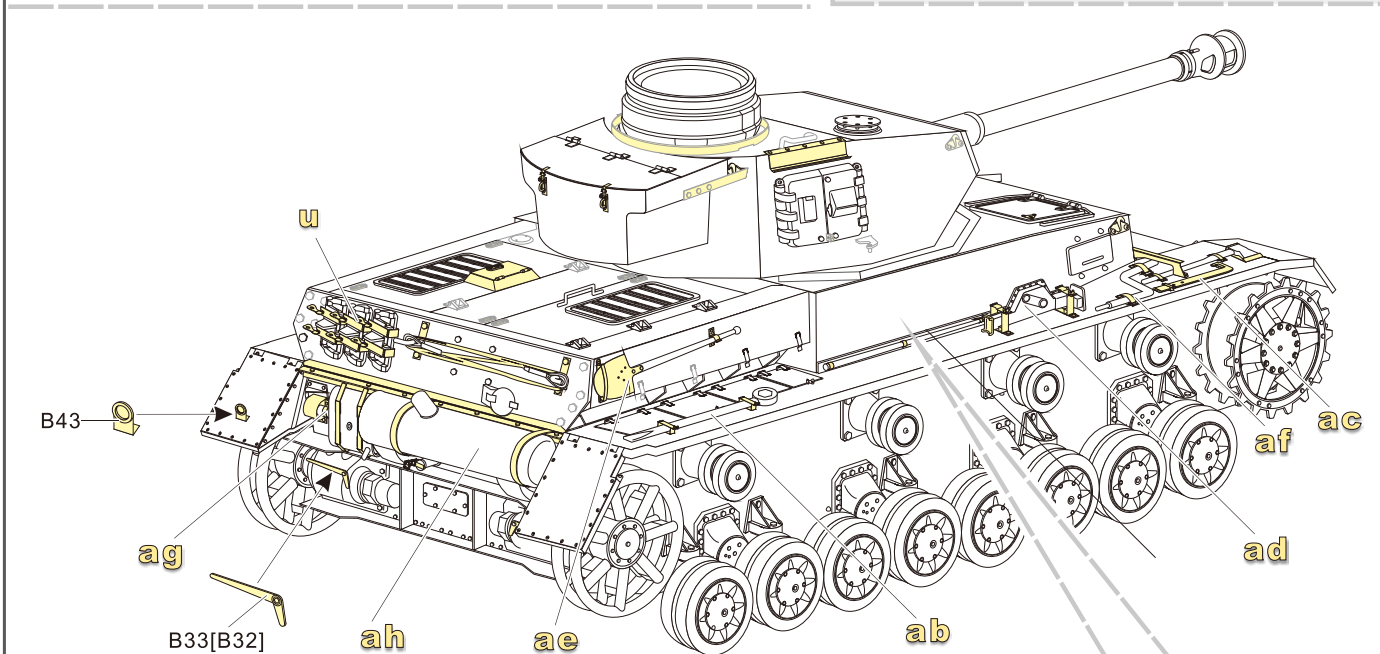
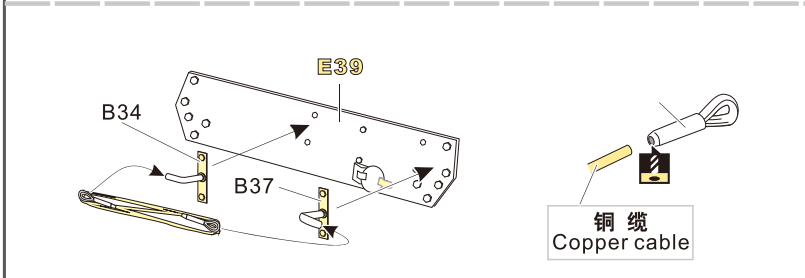
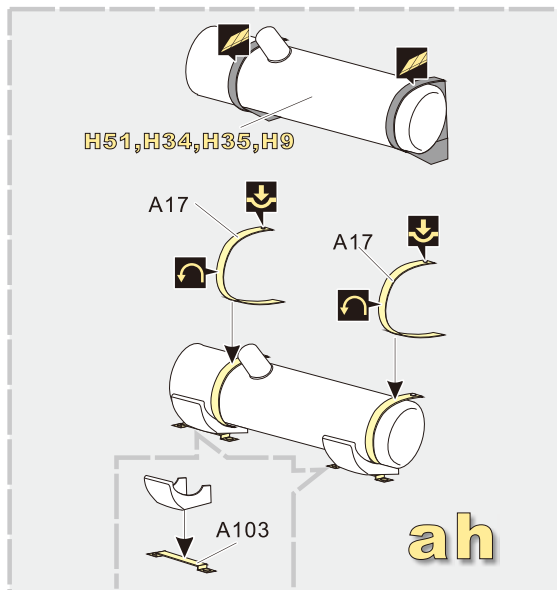
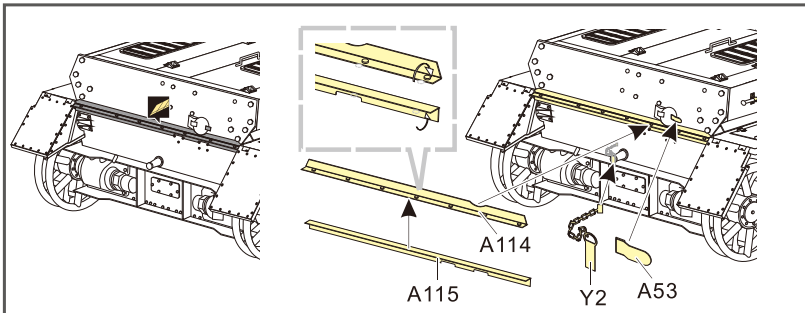
1/35 MILITARY MINIATURE VEHICLE UPGRADE SERIES PE35327



1/35 MILITARY MINIATURE VEHICLE UPGRADE SERIES PE35327



1/35 MILITARY MINIATURE VEHICLE UPGRADE SERIES PE35327



VOYAGERMODEL® 无微不至 升级享受

Recommended item

PE 35145	WWII German Pz.Kpfw.IV Ausf.F1/H Fenders
PEA 186	WWII German Panzer.IV Ausf.H air cleaner
PEA 163	WWII German Pz.Kpfw.IV Ausf.H late Production/Ausf.J Turret Armour
PEA 165	WWII German Panzer.IV Ausf.H/J schürzen
VBS0129	WWII German Panzer IV Ausf H/J .L/48 75mm Barrel w/Mantlet Pattern 1
VBS0130	WWII German Panzer IV Ausf H/J .L/48 75mm Barrel w/Mantlet Pattern 2
VBS0131	WWII German Panzer IV Ausf H/J .L/48 75mm Barrel w/Mantlet Pattern 3

PEA 052	WWII German Pz.Kpfw.IV Stowage Bin (for Ausf.E-J)
PEA 164	WWII German Panzer.IV Ausf.J "Thoma shields" wire mesh schürzenGP
PEA 176	WWII German tank Stenciling template1
PEA 177	WWII German tank Stenciling template2