

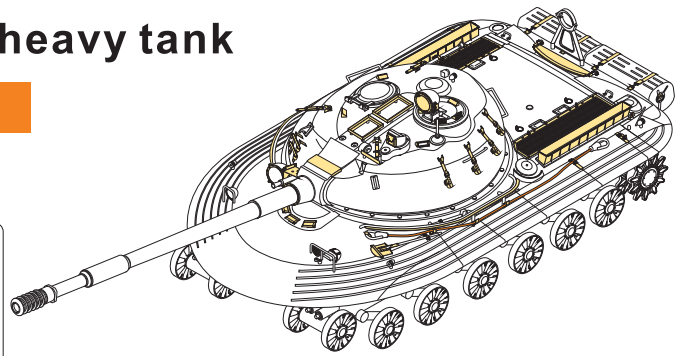
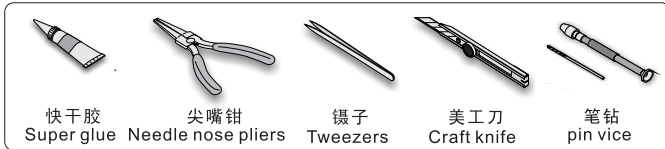
1/35 MILITARY MINIATURE VEHICLE UPGRADE SERIES PE35590

# Modern Russian Object 279 heavy tank

## 苏联 279工程 核战坦克

[For PANDA HOBBY PH 35005]

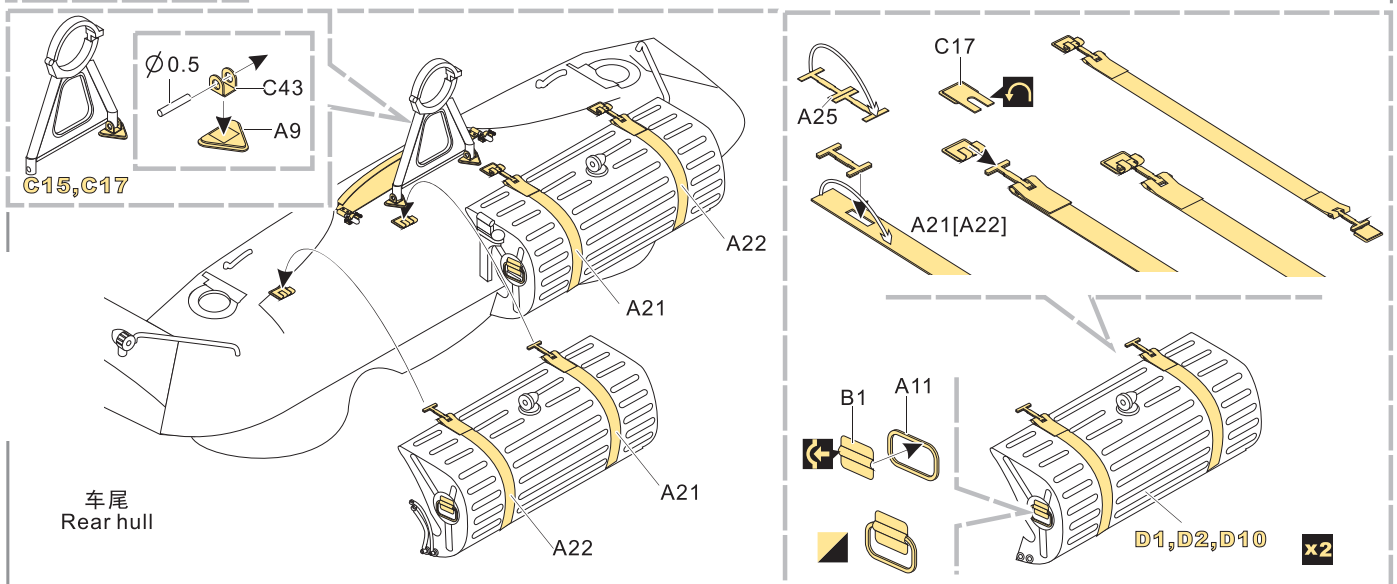
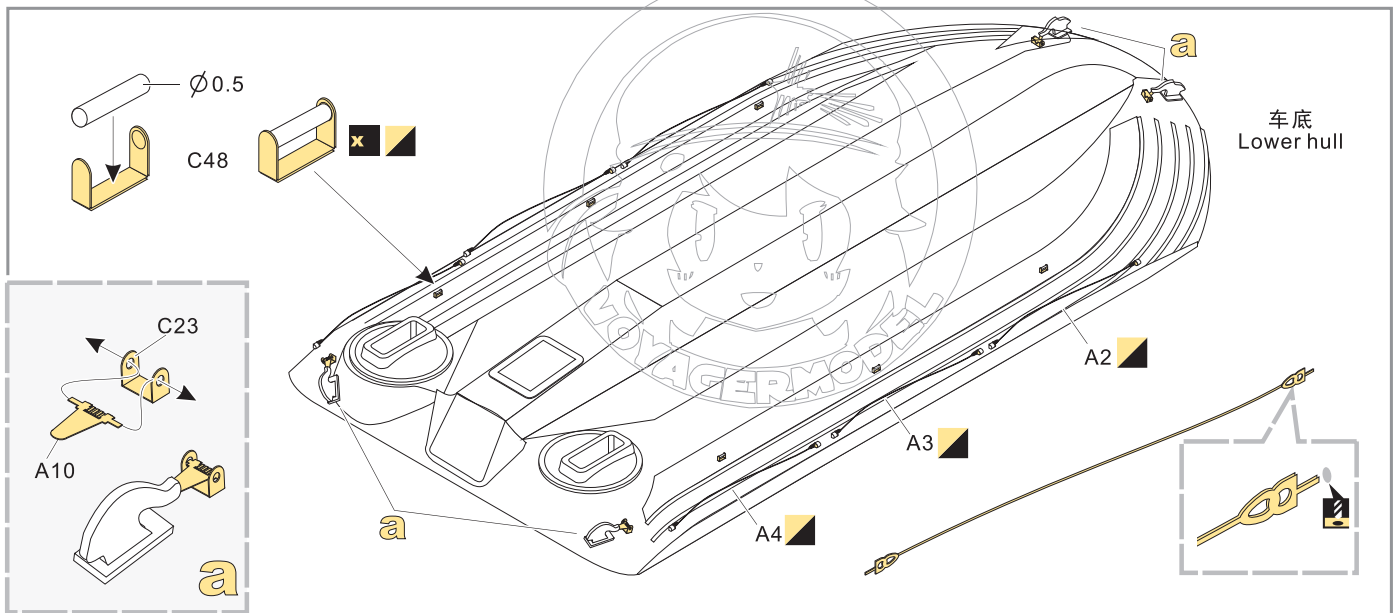
■ 推荐使用工具 RECOMMENDED TOOLS



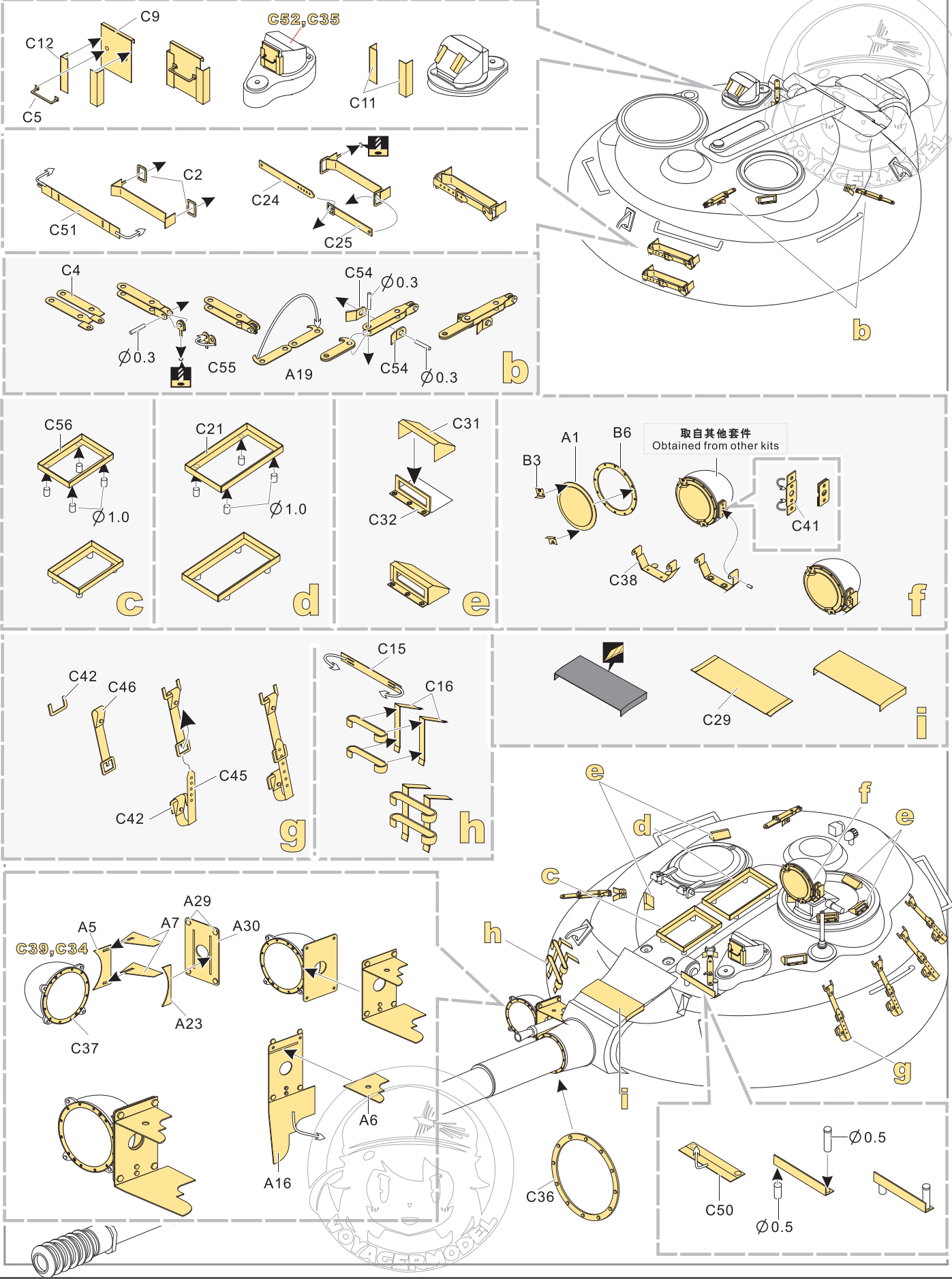
- ↑ 安装  
install
- ↩ 折叠  
bend
- A1**  
改造件零件编号  
PE/resin part number
- B12**  
原零件编号  
kit part number
- C22**  
被替换的原零件编号  
replaced kit part number
- 另一侧相同制作  
repeat on opposite side
- 切除  
remove
- 打磨  
grind off
- 弧度卷曲  
radial bending
- x2**  
制作若干组  
multiple assembly
- 选择安装  
alternative
- 钻孔  
drill
- 用胶棒制作  
make from plastic rod

用尖端在凹槽处冲压  
use penpoint to press on the dent

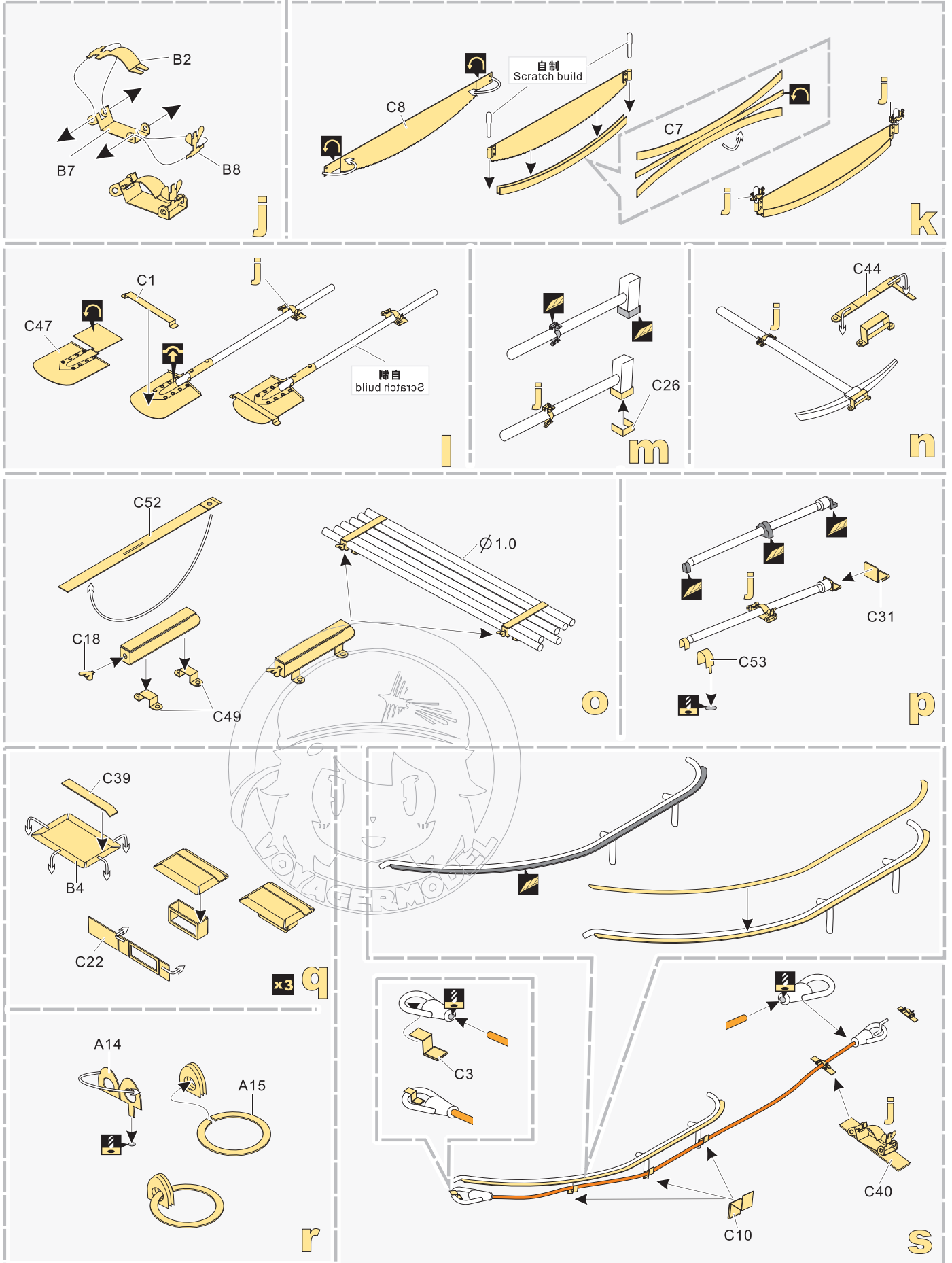
蚀刻片零件内朝面向上  
Put the part upside down  
用笔尖在凹槽处刺  
Use penpoint to press on the dent



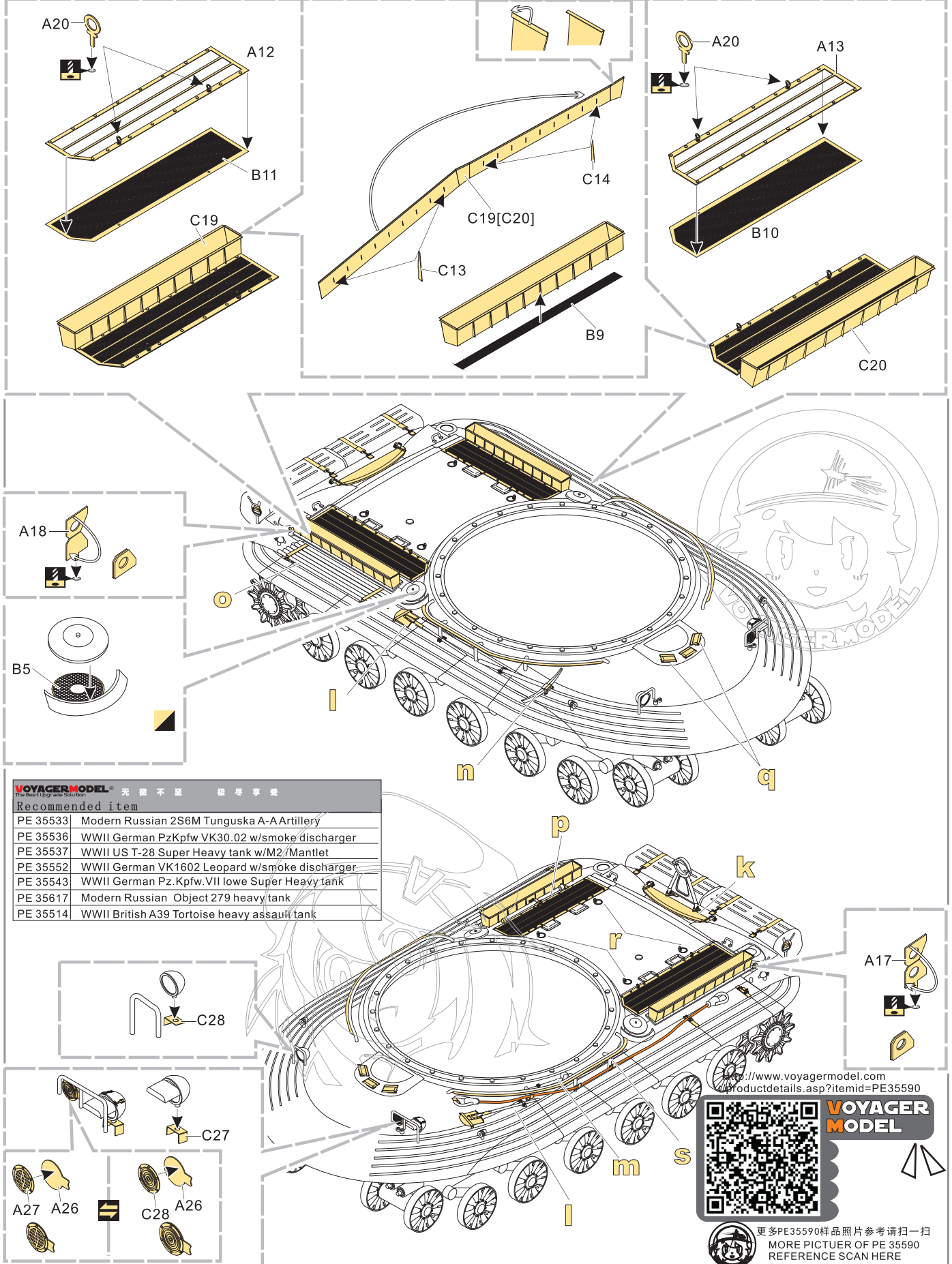
1/35 MILITARY MINIATURE VEHICLE UPGRADE SERIES PE35590



1/35 MILITARY MINIATURE VEHICLE UPGRADE SERIES PE35590



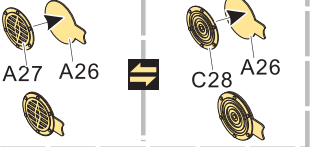
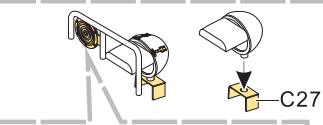
1/35 MILITARY MINIATURE VEHICLE UPGRADE SERIES PE35590



VOYAGERMODEL<sup>®</sup> 无缝不至 极致享受

Recommended item

PE 35533	Modern Russian 2S6M Tunguska A-A Artillery
PE 35536	WWII German PzKpfw VK30.02 w/smoke discharger
PE 35537	WWII US T-28 Super Heavy tank w/M2/Mantlet
PE 35552	WWII German VK1602 Leopard w/smoke discharger
PE 35543	WWII German Pz.Kpfw.VII lowe Super Heavy tank
PE 35617	Modern Russian Object 279 heavy tank
PE 35514	WWII British A39 Tortoise heavy assault tank



<http://www.voyagermodel.com/productdetails.asp?itemid=PE35590>



**VOYAGER MODEL**

更多PE35590样品照片参考请扫一扫  
MORE PICTUER OF PE 35590  
REFERENCE SCAN HERE