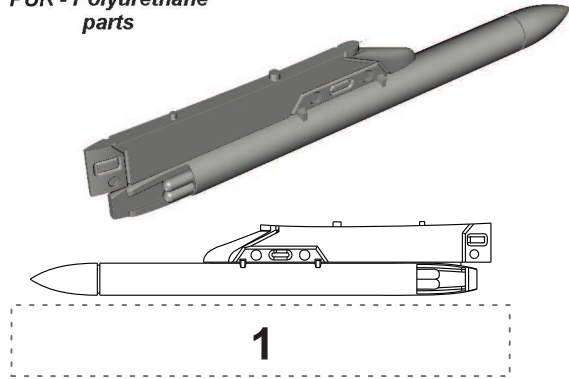


**Q72 312 Sycomor - Chaff/Flare  
1/72 Dispenser for Mirage F.1**

for Special Hobby kits and others



**PUR - Polyurethane  
parts**



© Special Hobby 2018

Díly ohnuté popř. pokroutené vlivem teplotních změn a stárnutí materiálu, mohou být narovnány do požadovaného tvaru pomocí proudu teplé vody nebo vzduchu (fén na vlasy).

*Parts slightly distorted and bent owing to temperature changes or due to material ageing can be straightened to requested shape by hot water or hot air jet. (hair dryer)*

*This process can be repeated till result is entirely satisfactory.*

*K lepení použít kyanokrylátové lepidlo!  
For best result gluing use cyanoacrylate glue!*

*Kontaktní plochy doporučujeme před lepením odmastit  
Contact areas ungrease is recommended before gluing.*

**Visit our official website and e-shop at  
[www.cmkkits.com](http://www.cmkkits.com)  
[www.specialhobby.eu](http://www.specialhobby.eu)**



**Other 1/72 scale Mirage Sets  
(Special Hobby kits) from CMK**

- Q72 249 Mirage F.1 – 1/72 Cyrano IV Radar with Pressurized Casing
- Q72 250 Mirage F.1 – 1/72 Cyrano IV Radar with Uncovered Scanner Dish
- Q72 251 Mirage F.1 – 1/72 Wheels set
- Q72 252 Mirage F.1 – 1/72 Afterburner Unit and Engine Nozzle
- Q72 253 Mirage F.1C/C-200 - 1/72 MB Mk.4 Seat (1pc)
- Q72 254 Mirage F.1CR/CT – 1/72 MB Mk.10 Seat
- Q72 255 Mirage F.1B - MB Mk. 10 Seat (2pcs)
- Q72 312 Sycomor - Chaff/Flare Dispenser for Mirage F.1

Special Hobby, Mezilesí 718, CZ - Praha 9,193 00,  
e-mail: [office@specialhobby.eu](mailto:office@specialhobby.eu)

