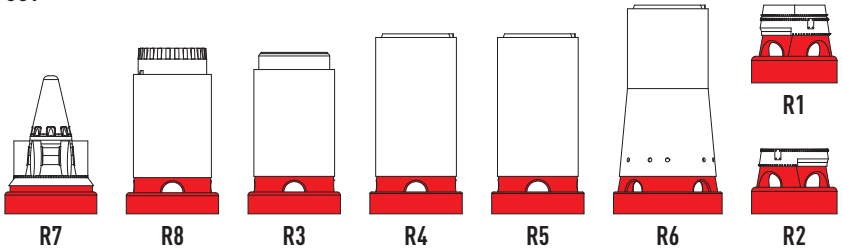
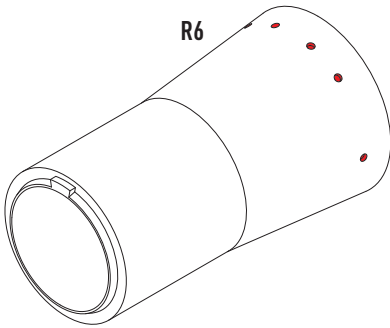


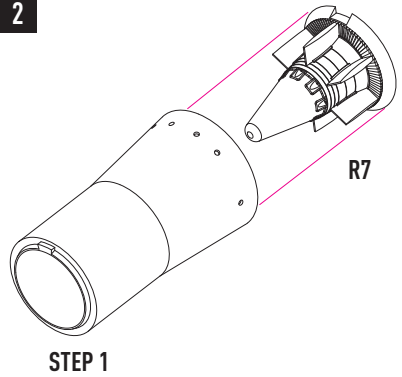
CUT



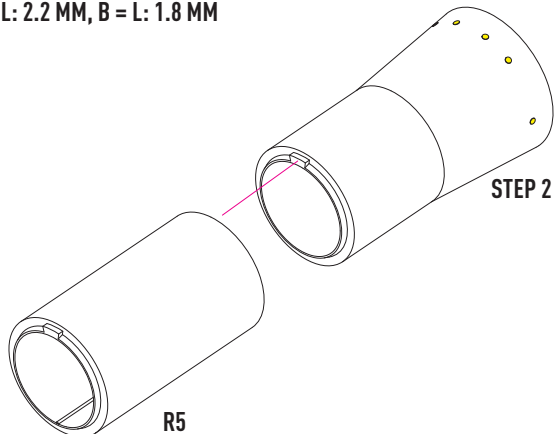
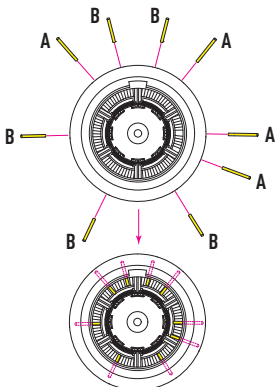
1 DRILL THROUGH HOLES D: 0.3 MM



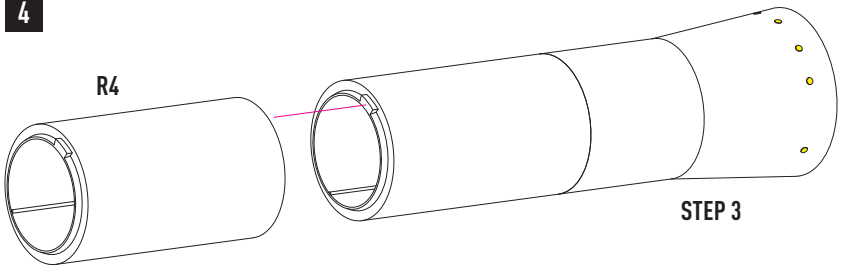
2



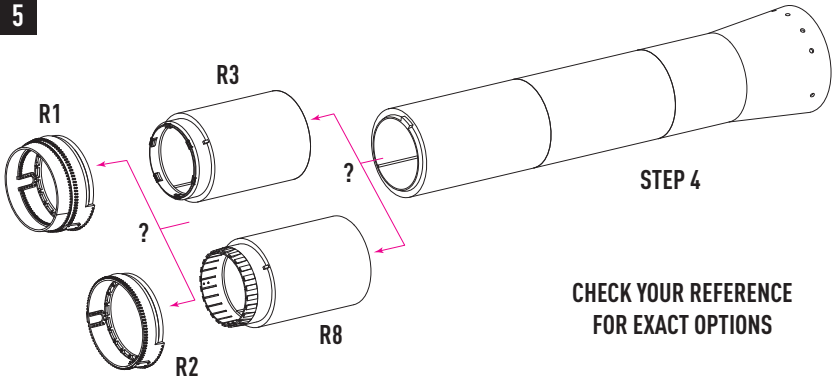
3 USE WIRE D: 0.3 MM, A = L: 2.2 MM, B = L: 1.8 MM



4



5



6

**PART FROM THE KIT B12.
SYMMETRICALLY REPEAT ON THE DETAIL A28**

