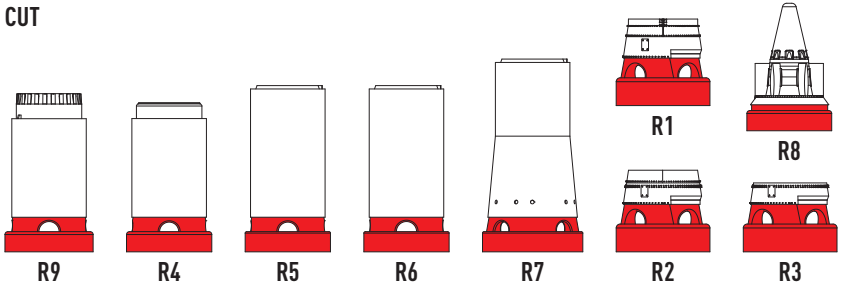
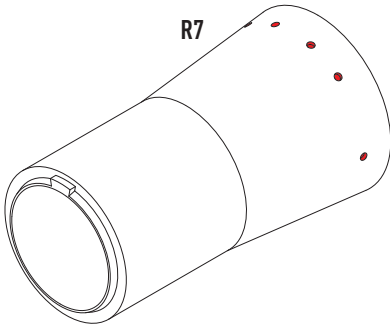


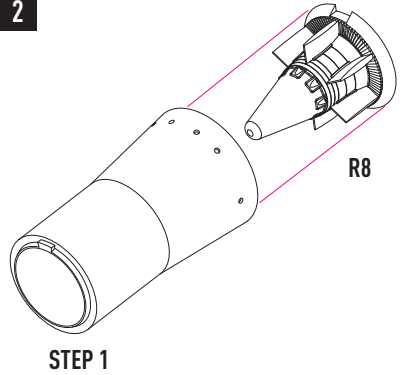
### CUT



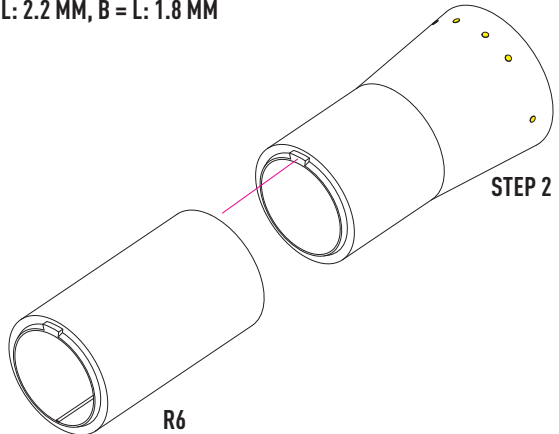
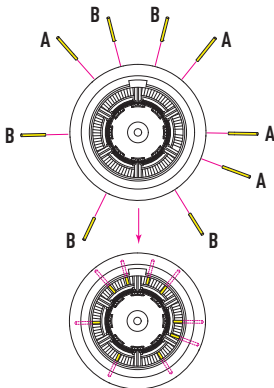
### 1 DRILL THROUGH HOLES D: 0.3 MM



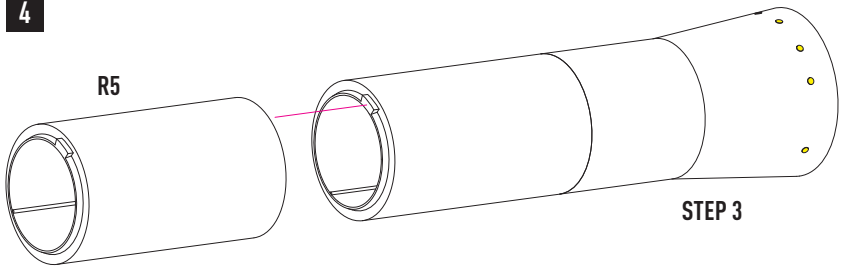
### 2



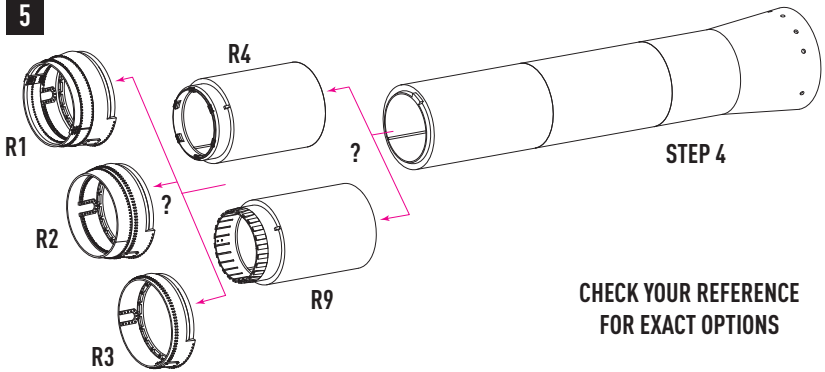
### 3 USE WIRE D: 0.3 MM, A = L: 2.2 MM, B = L: 1.8 MM



4



5



6

PART FROM THE KIT A9.  
SYMMETRICALLY REPEAT ON THE DETAIL A34

