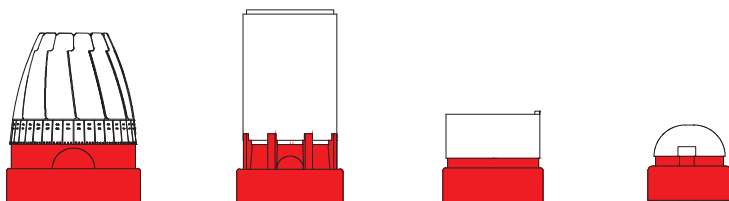
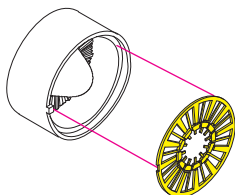


1

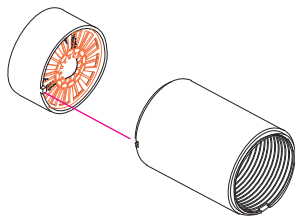


CUT

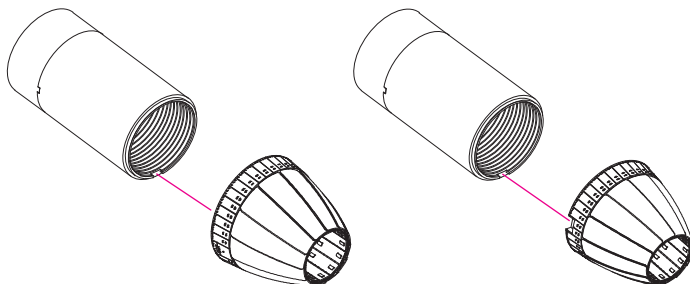
2 X2



3 X2



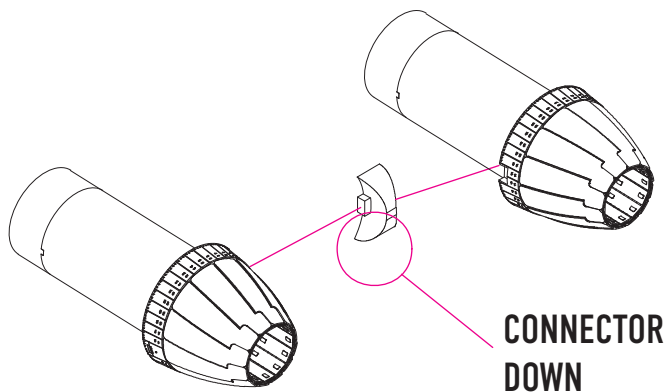
4



LEFT

RIGHT

5



6

CUT TWO Ø10MM.

