

Russian BTR-70 APC early version

俄罗斯BTR-70装甲输送车(早期型)

READ BEFORE ASSEMBLY:

- Study and understand these instructions thoroughly before beginning assembly
- When needed, remove photo-etch parts carefully using a modeling knife or photo etch sprue cutter, being careful not to damage or lose small parts.
- Take extra care in handling photo etch parts in order to avoid injury
- Apply instant cement sparingly to photo etch parts where instructed
- Tools recommended(not included in kit):Plastic and instant cements, sprue cutters,long nose pliers,modeling knife, small files, tweezers, pin vise & scissors. Soft cloth and sandpaper will also assist in construction
- Glue and paint are not included in the kit. Use plastic cement and hobby paints only. Color guide for purchasing paint is included in the kit.

装配之前仔细阅读

- 小心用模型锉刀锉平所有零件表面的注射浇口。
- 小心用刀片切下蚀刻片零件，不要遗失小零件。
- 用强力快干胶水粘合蚀刻片零件和金属轴。过量快干胶水使用可能导致可动零件会粘住，小心涂胶。
- 取蚀刻片时应特别注意安全，防止利边划伤手指。
- 某些零件表面需贴上水贴纸，请选择在装配的同时进行。
- 推荐模型工具(自备)：胶水，水口剪刀，长咀钳，刀片，锉刀，镊子，钳，钻，剪刀，瞬间快干胶。
- 软布同砂纸同时也应该是必备工具。
- 请使用塑料胶水和油漆，模型内不含。



配重
Weight



使用强力胶
Cyanoacrylate glue



钻孔
Make hole



切除
Cut / Remove



贴纸
Decal



锉平
File / Sand



选择
Option



不涂胶水
No cement



弯曲
Bend

水贴纸的使用:

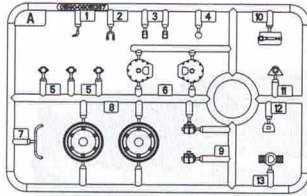
- 1.从水贴上剪下印花;
- 2.将印花放入温水中浸10秒, 然后放在干净布上。
- 3.拿着印花纸板将印花移到模型上;
- 4.手指蘸水将印花移到适当的位置;
- 5.用软布轻压印花直至水干, 汽泡消失

DECAL APPLICATION

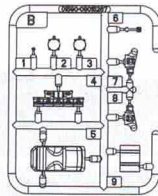
- 1.Cut decals from sheet as needed
- 2.Dip the decal in warm water for about 10 seconds and then place on soft clean cloth.
- 3.Hold the decal backing sheet edge and gently slide the decal onto the model in its proper position.

- 4.While still wet,decal can be adjusted for better fit on model by dampening it gently with your finger.
- 5.When placed in the proper position,gently press decal down with a soft cloth until excess water and air bubbles are gone.
- 6.Allow decal to dry completely before handling model

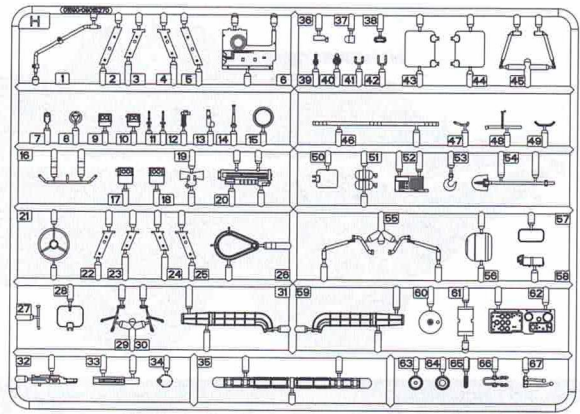
A×4



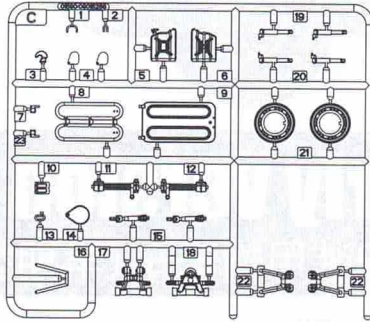
B×2



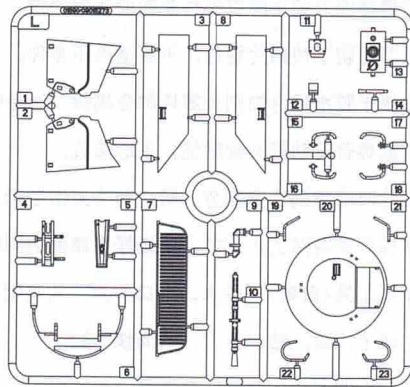
H



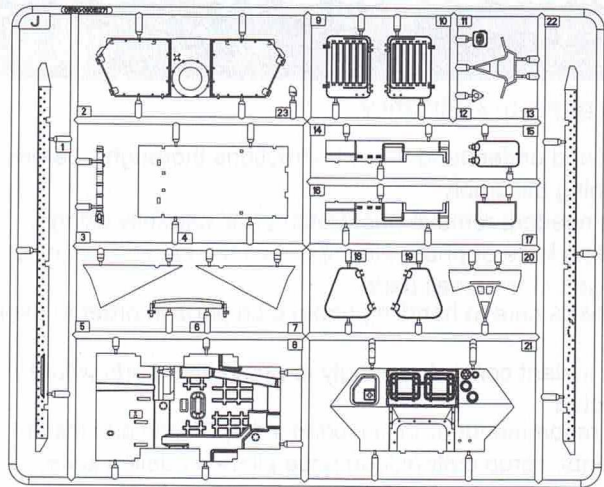
C×4



L

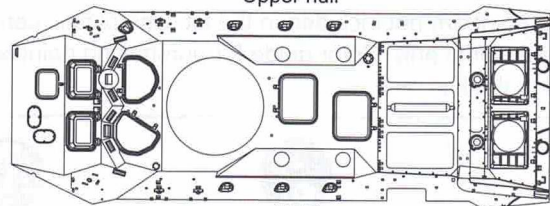


J



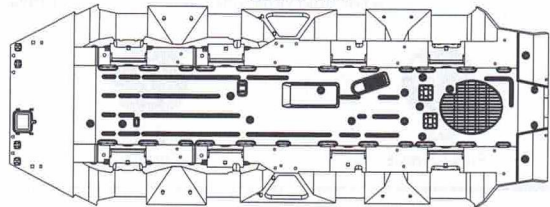
《车面》

Upper hull

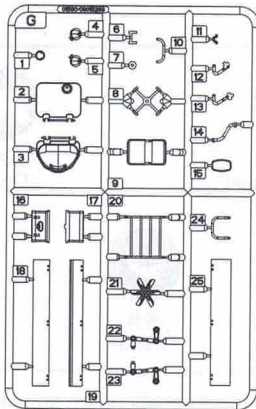


《车底》

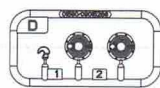
Lower hull



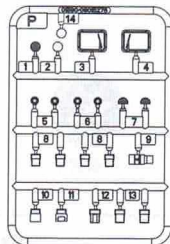
G×2



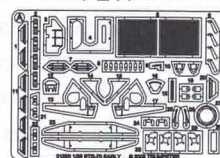
D×4



P



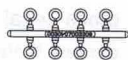
《蚀刻片》
PE-A



《轮胎》
Tyre × 8



《聚乙烯套》
Poly cap



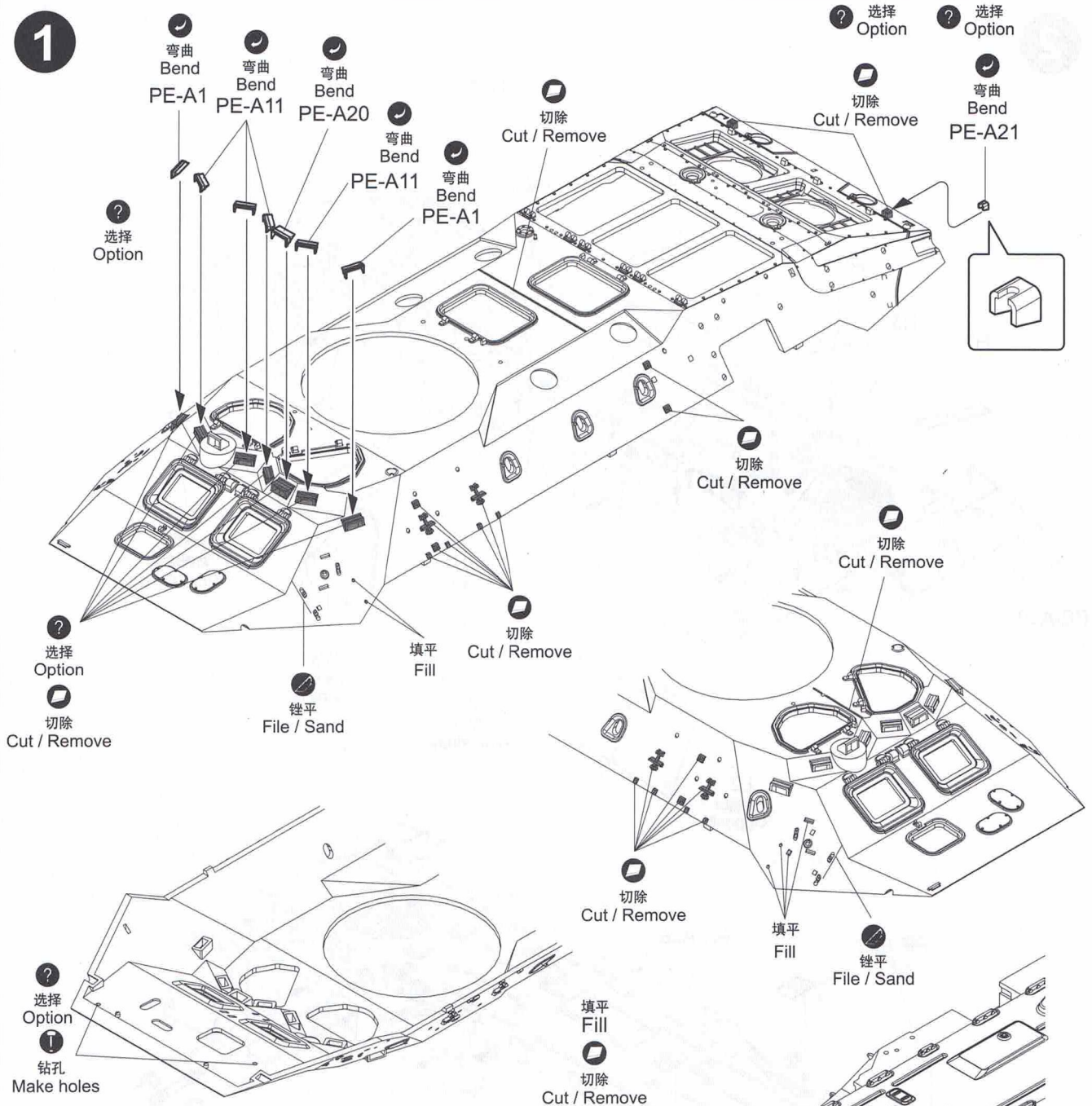
不用部品: C3、P5、PE-A13、PE-A17

Unused parts

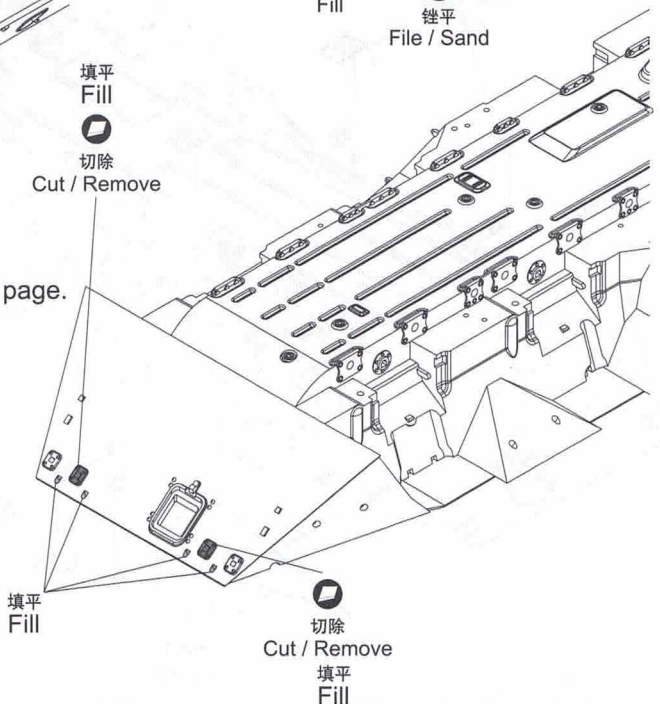
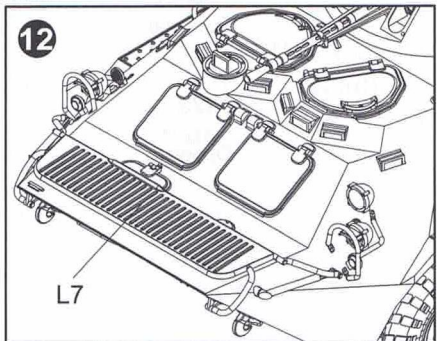
《水贴》
Decal



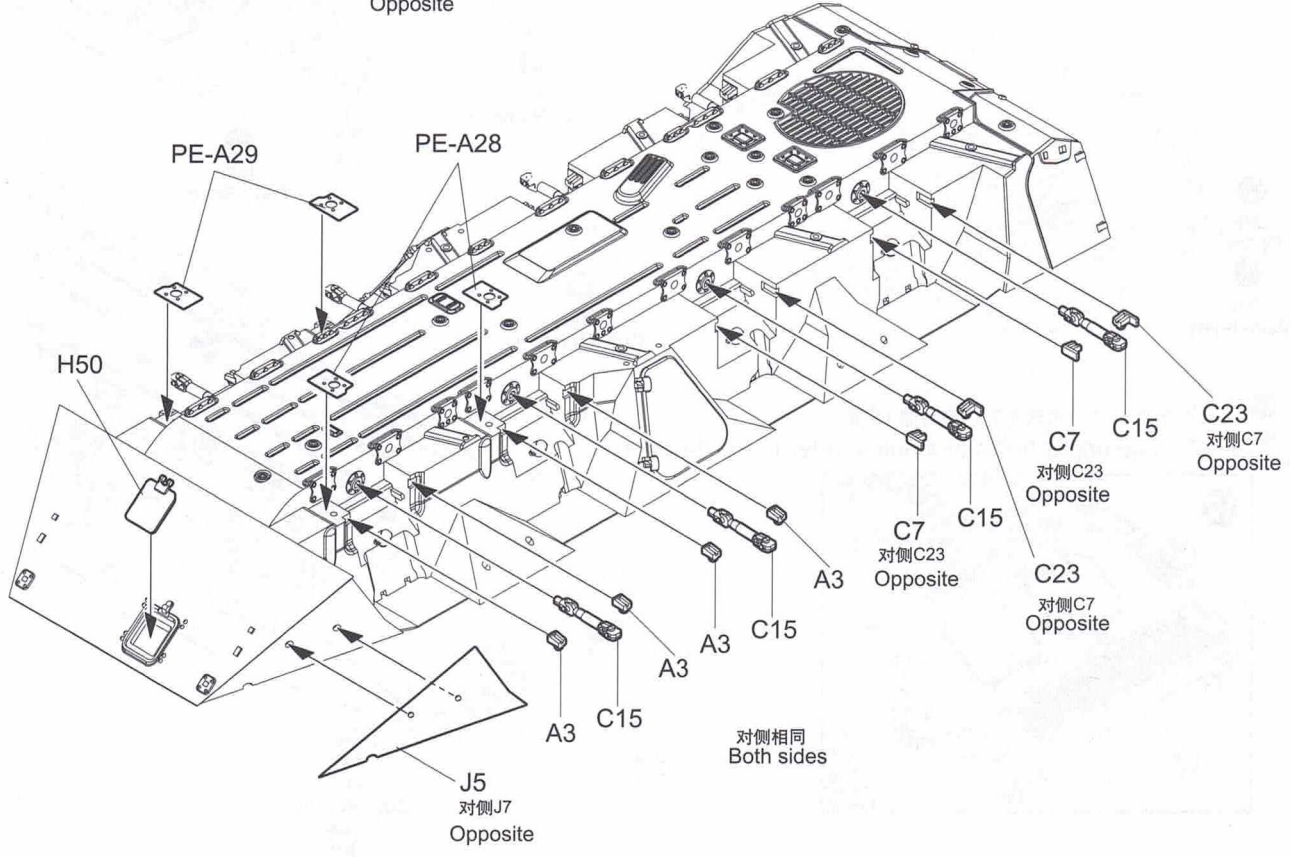
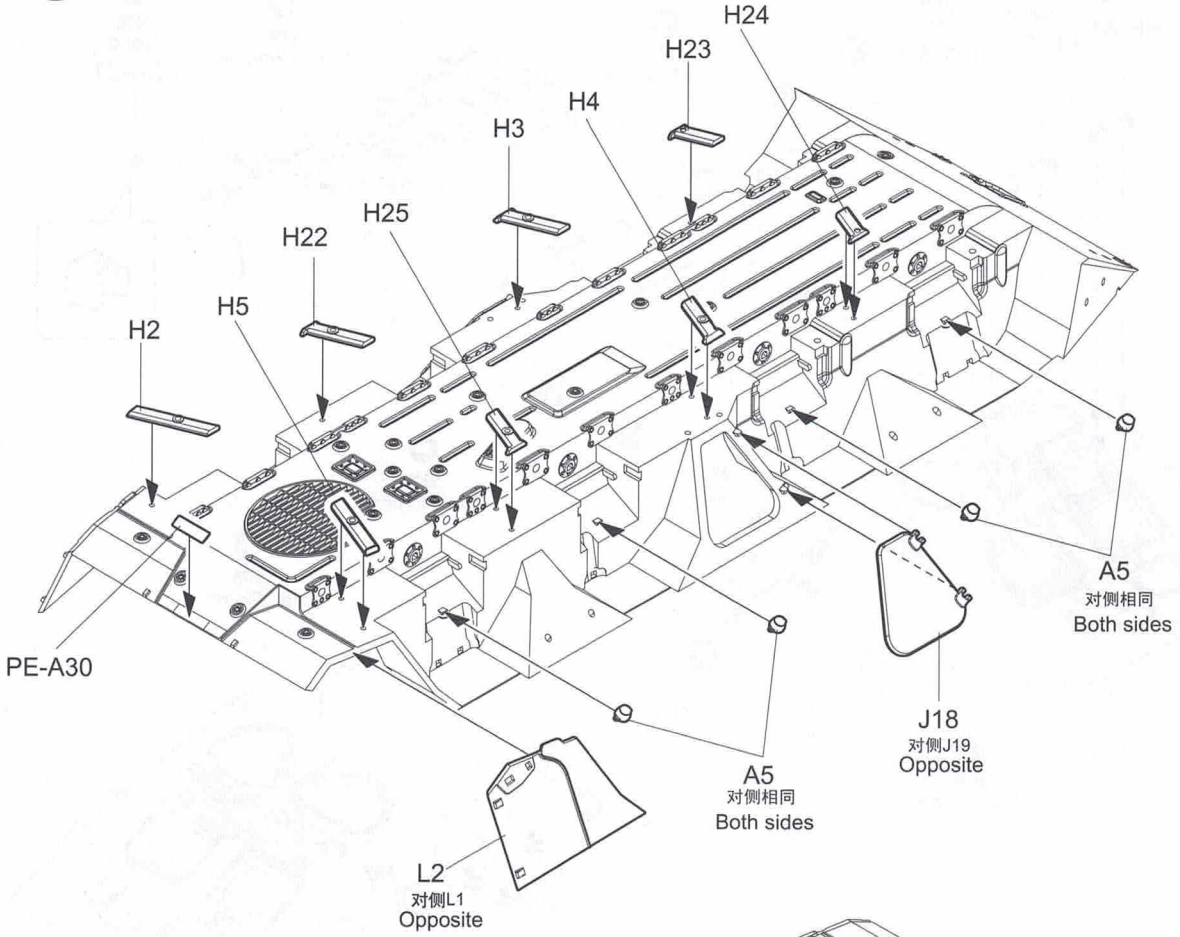
1



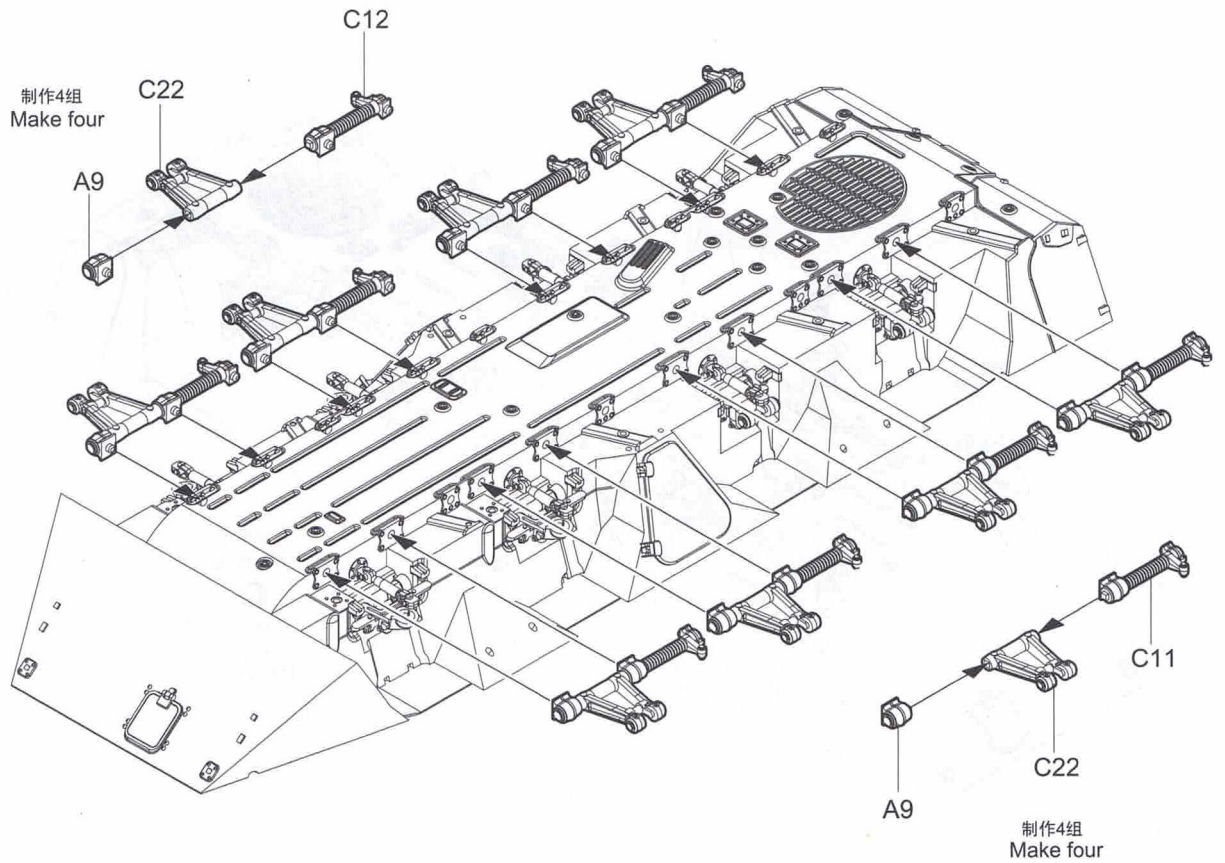
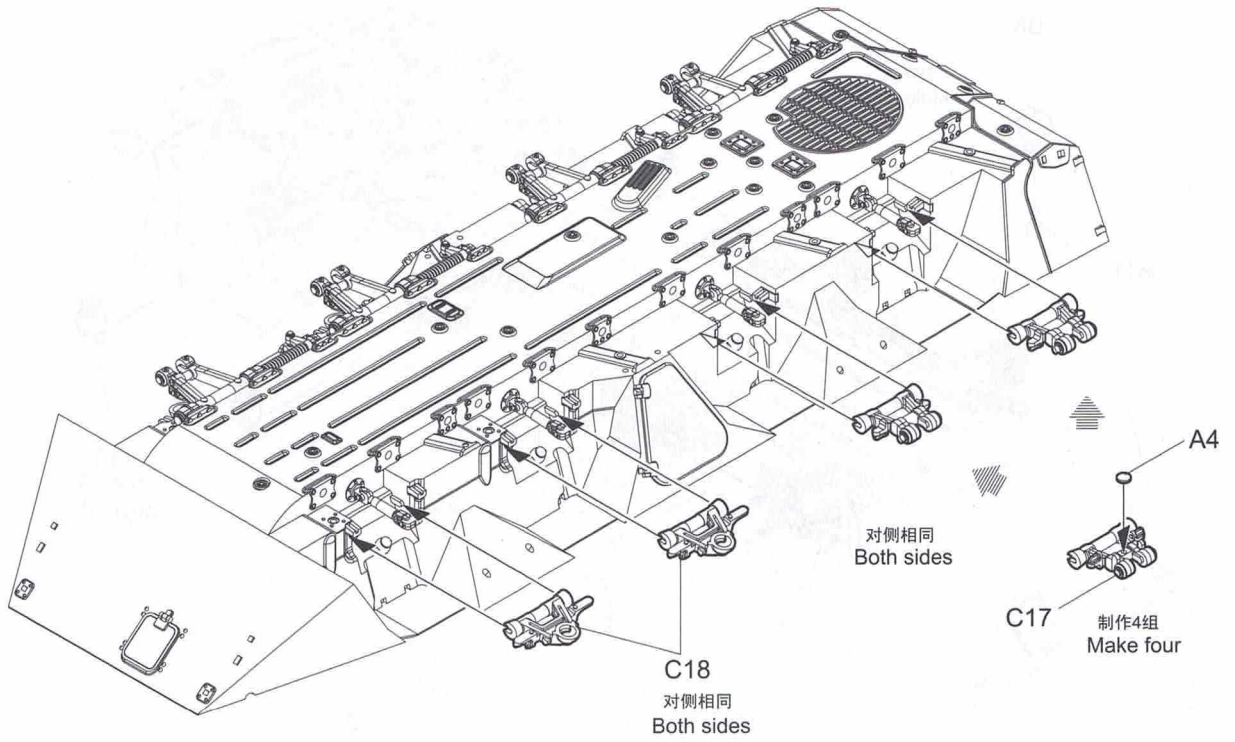
? 选择 Option L7 收起状态, 车面开孔, 参考第14页。
 L7 close, upper hull make holes, refer to the 14 page.

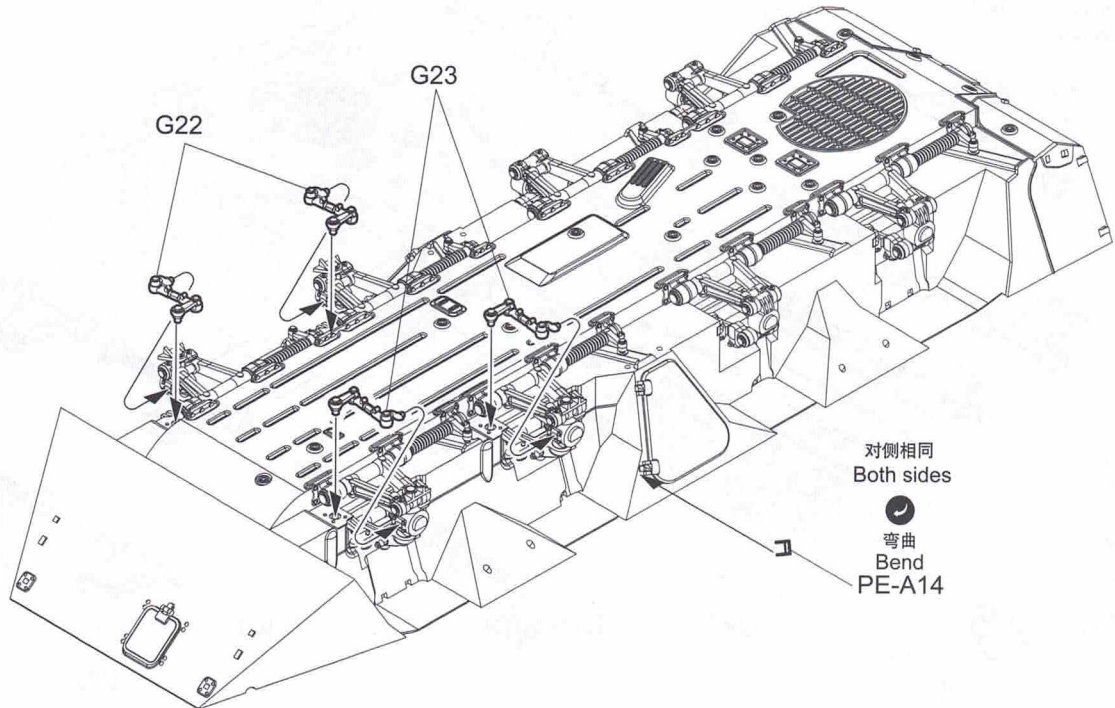
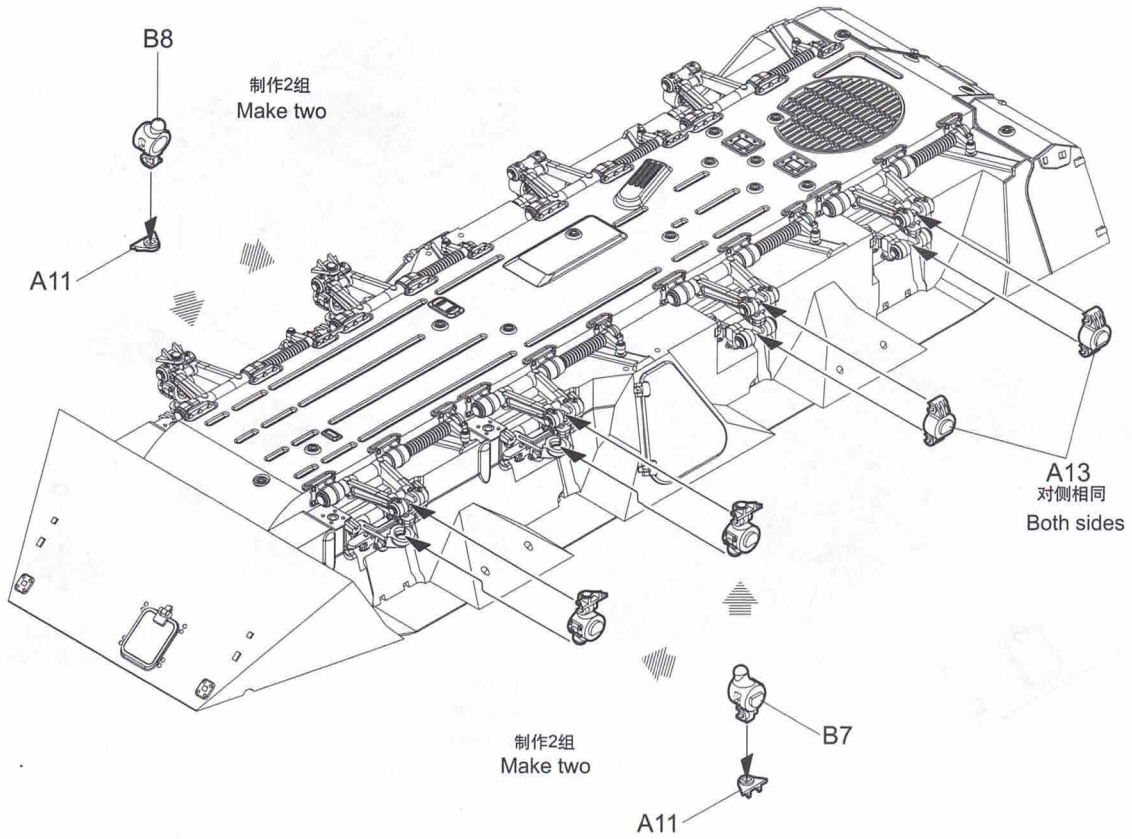


2

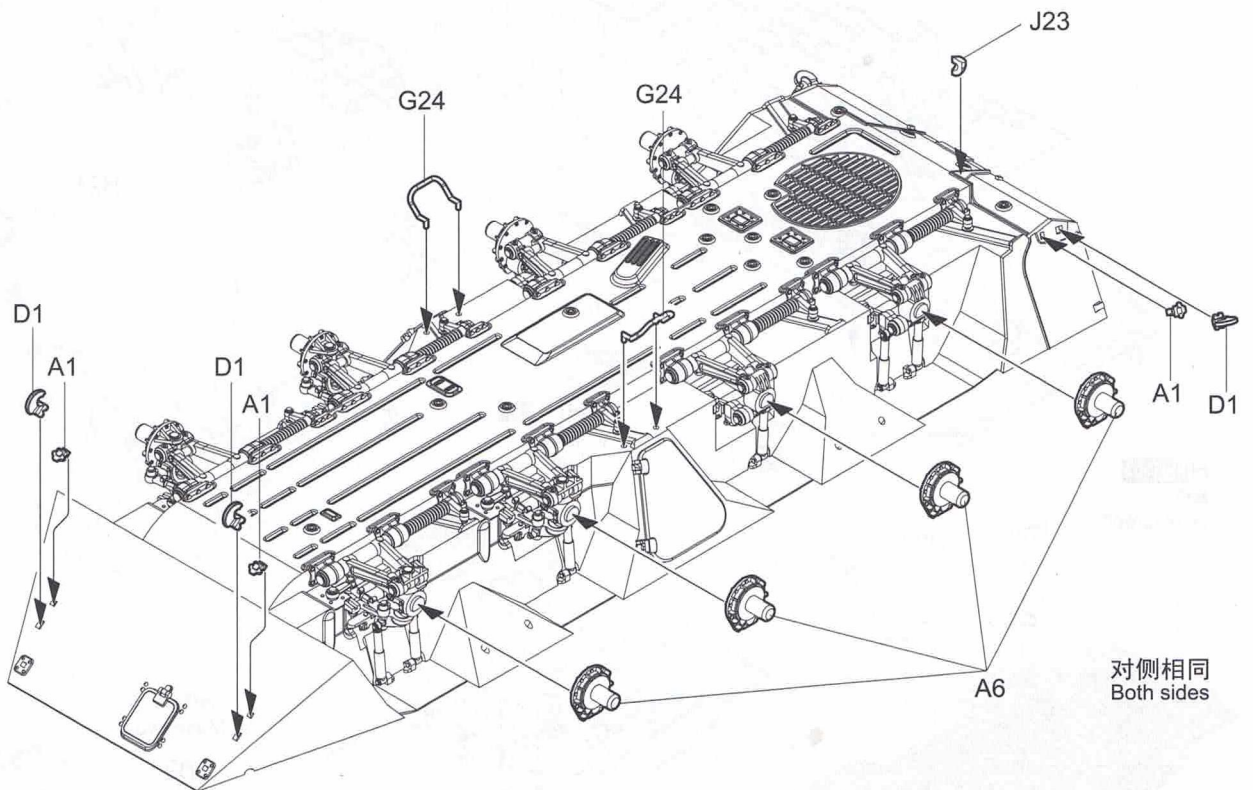
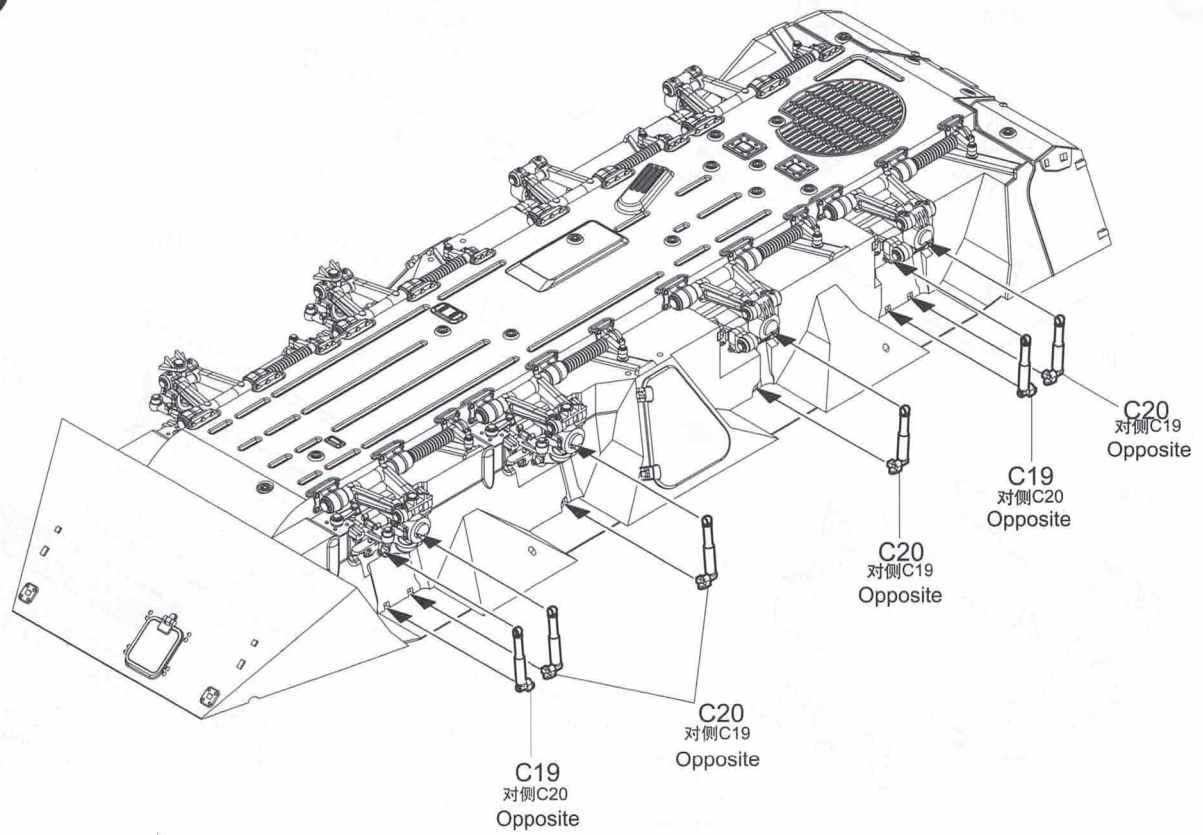


3

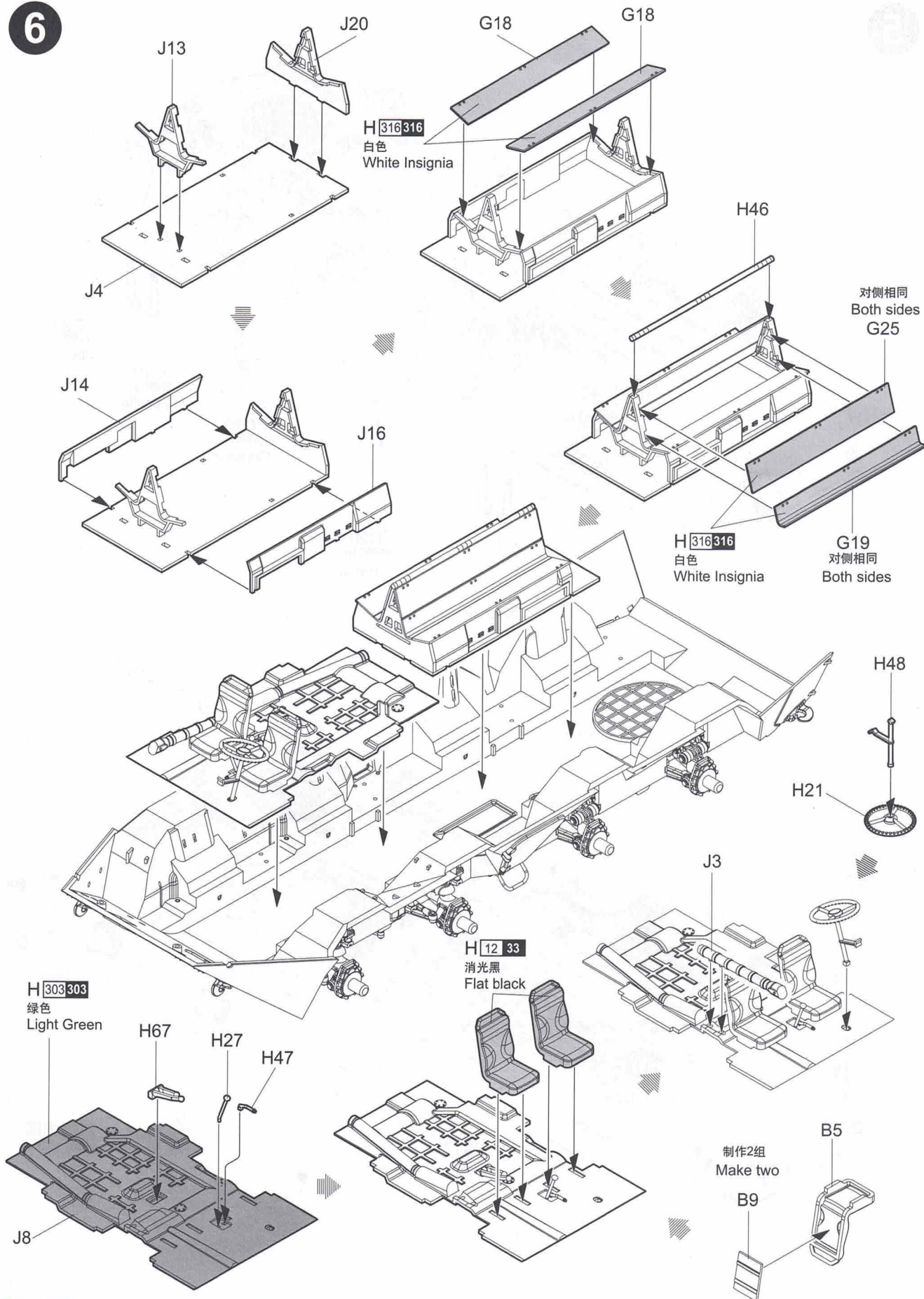




5



6



7

切除
Cut / Remove

切除
Cut / Remove

贴纸
Decal
6

对侧相同
Both sides

对侧相同
Both sides
A10

《A-A》
制作2组
Make two

《B-B》

《B-B》

《A-A》

H 12 33
消光黑
Flat black

H 316 316
白色
White Insignia

H 3 3
红色
Red

对侧相同
Both sides
B4

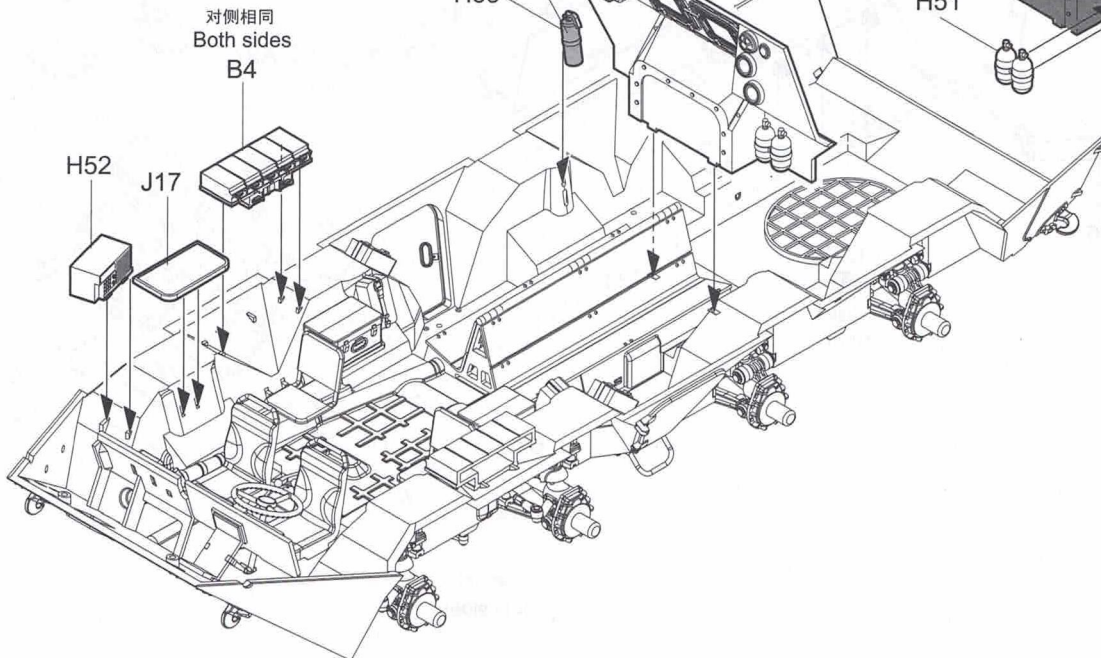
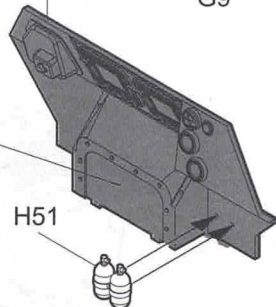
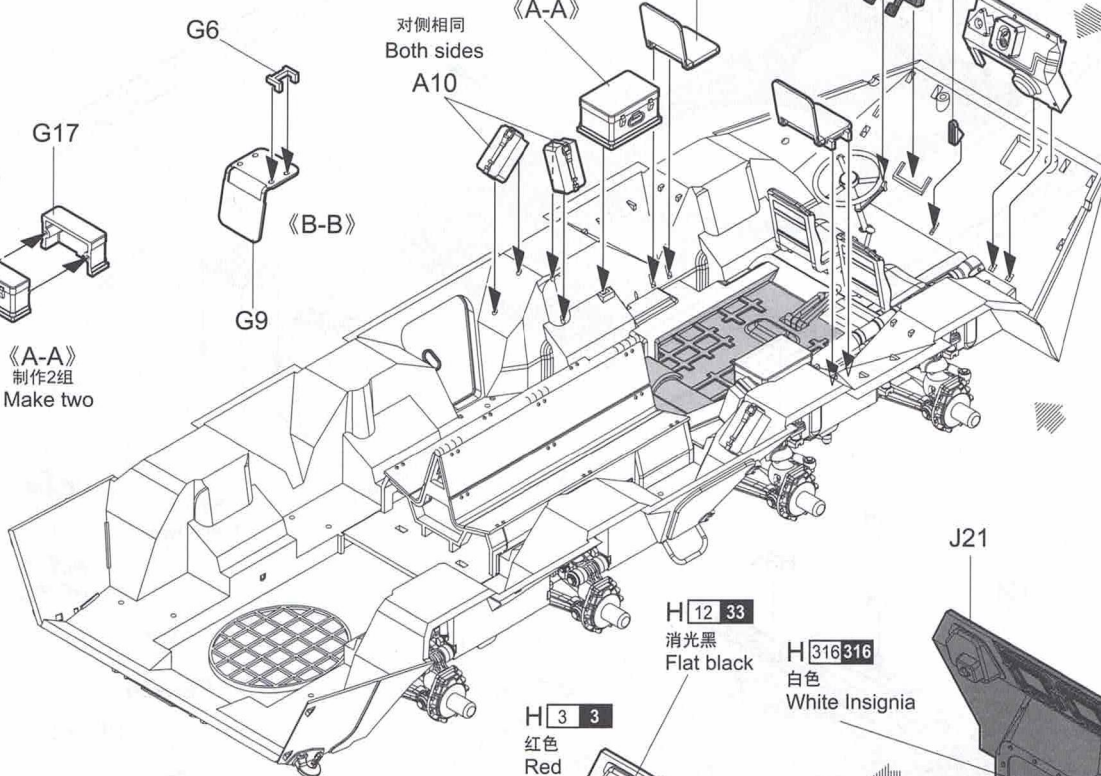
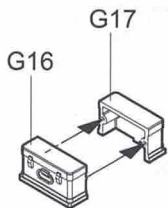
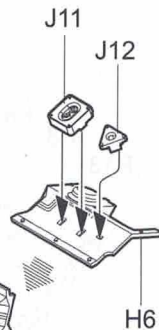
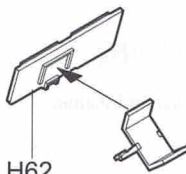
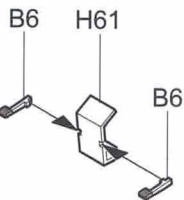
H52

J17

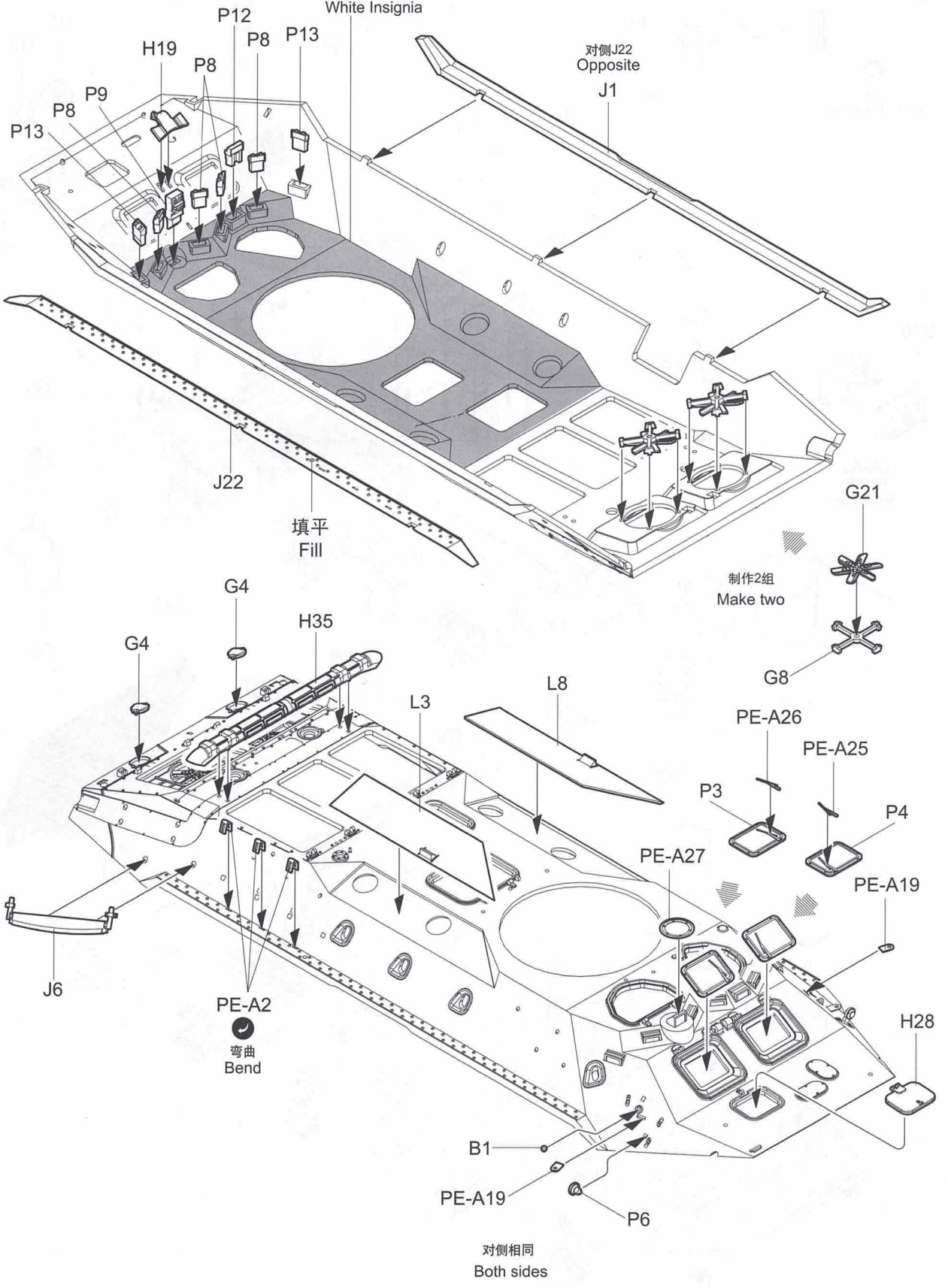
H58

J21

H51



H 316 316
白色
White Insignia



9

制作3组
Make three

制作2组
对侧相同
Both sides

弯曲
Bend
PE-A12

P7

B2

C9

C8

C1

G5

G5

H43

H44

H54

PE-A8

J15

弯曲
Bend

H 303 303
绿色
Light Green

关闭状态
Close

P2

B3

H 303 303
绿色
Light Green

打开状态
Open

C13

PE-A6

弯曲
Bend
PE-A23

H 303 303
绿色
Light Green

打开状态
Open

关闭状态
Close

选择
Option

制作2组
Make two

H11

J10

制作2组
Make two

选择
Option

G2

PE-A6

C13

弯曲
Bend
PE-A5

制作2组
Make two

G20

H11

弯曲
Bend
PE-A23

J9

G7
对侧相同
Both sides

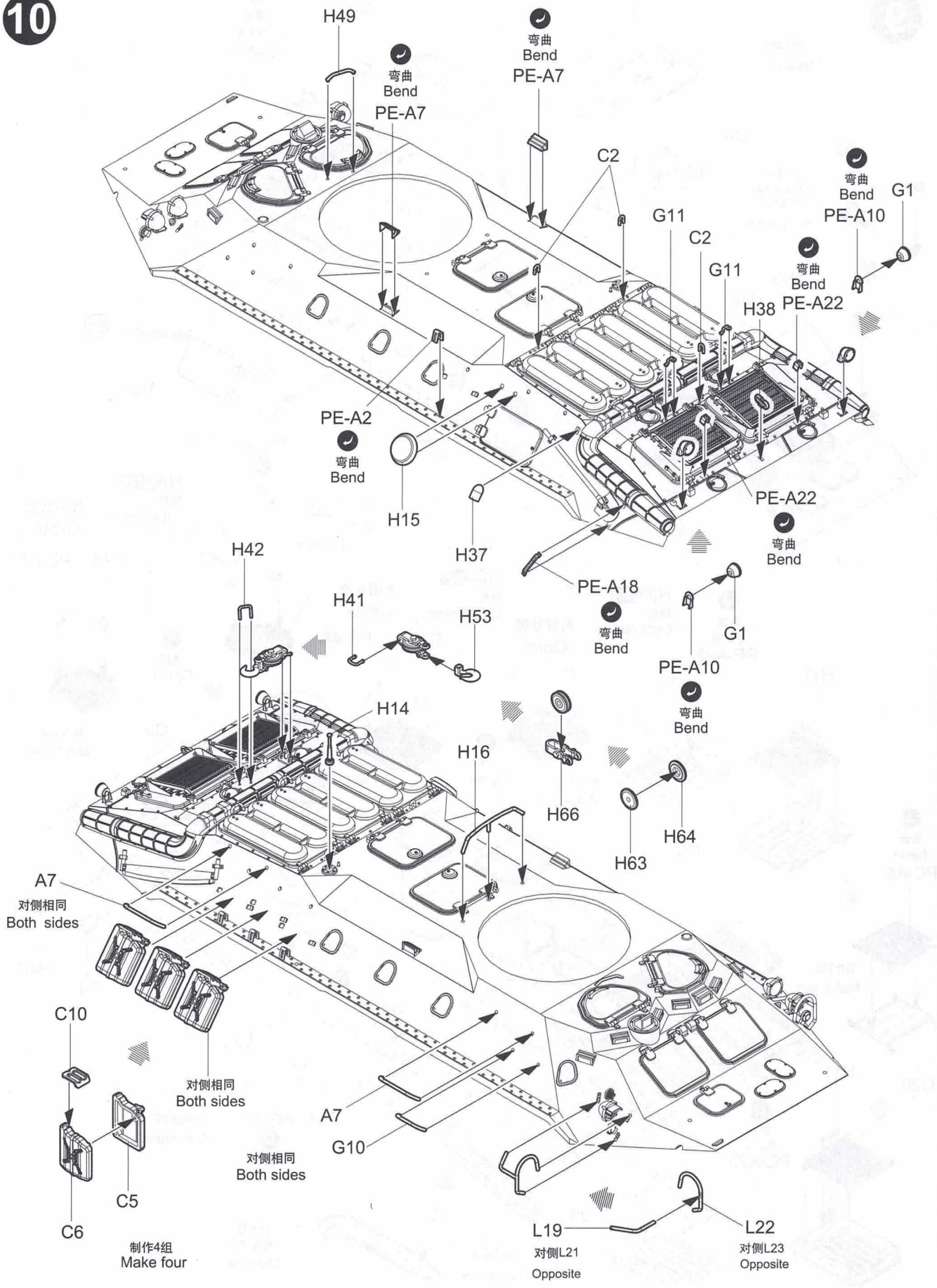
PE-A8
弯曲
Bend

C4
对侧相同
Both sides

H40

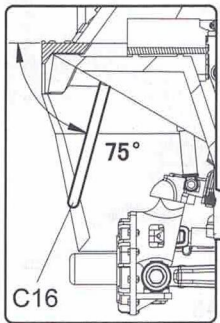
C4

H59
对侧H31
Opposite



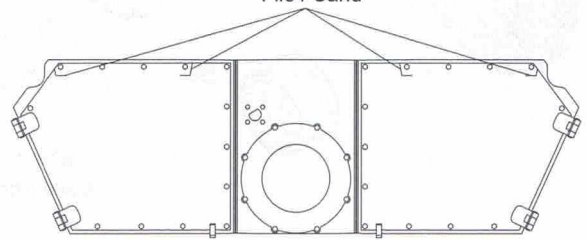
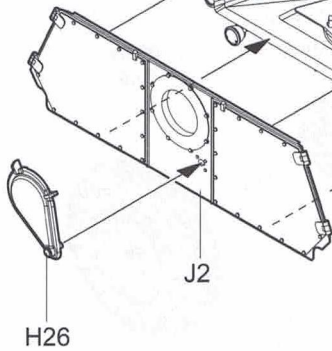
《车面》
Upper hull

《车底》
Lower hull

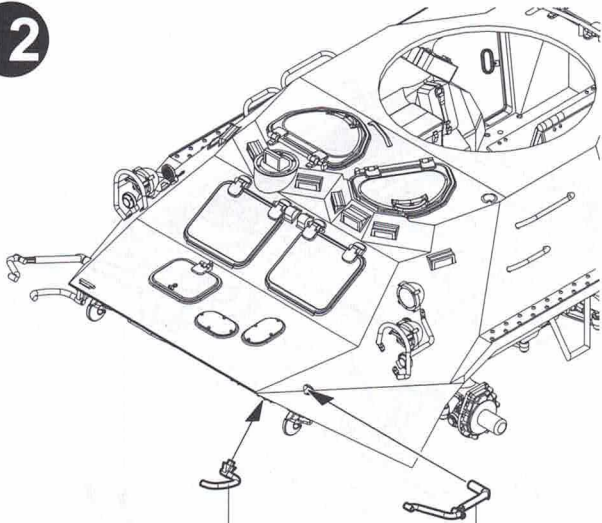


C16
对侧相同
Both sides

锉平
File / Sand



12

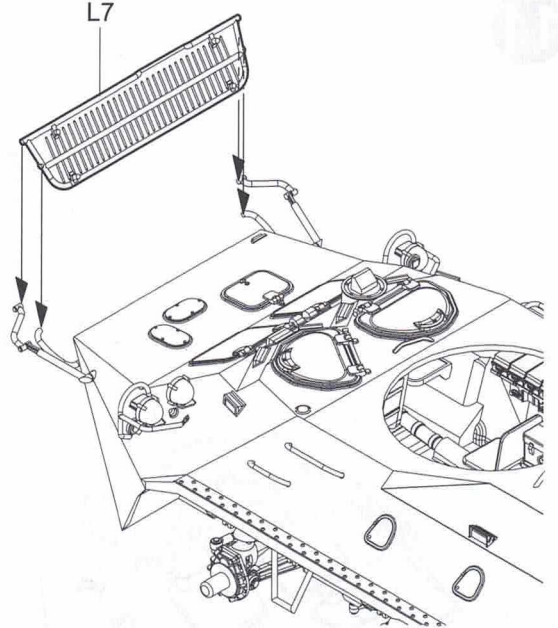


展开状态
Open

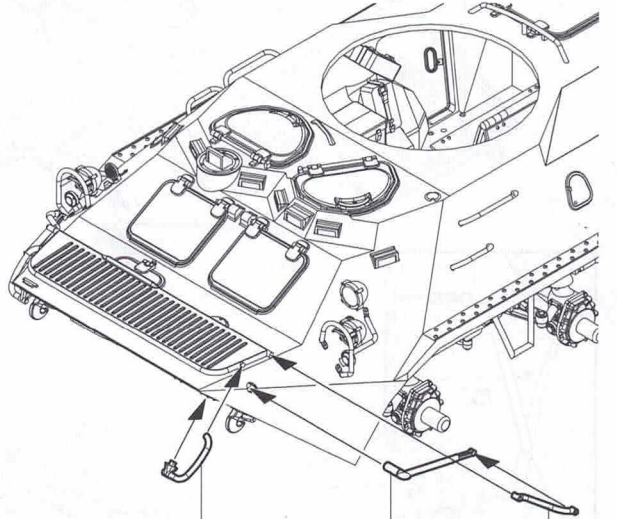
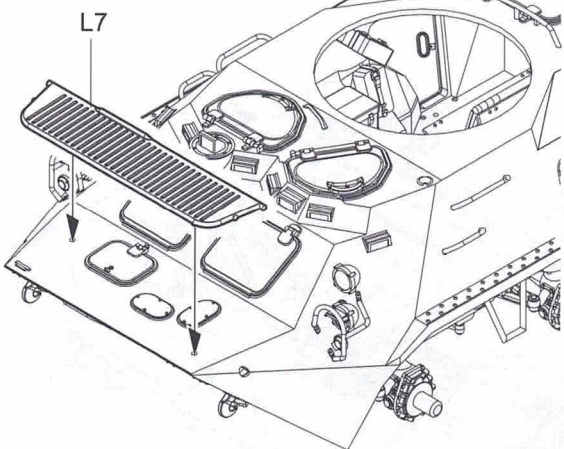
L16
对侧L15
Opposite

H55
对侧相同
Both sides

?
选择
Option



收起状态
Close



L18
对侧L17
Opposite

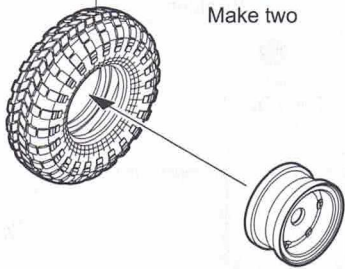
L45
对侧相同
Both sides

G14
对侧相同
Both sides

13

《轮胎》
Tyre

《左侧轮胎》
Left tyre
制作2组
Make two



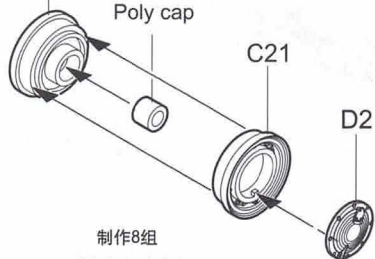
A8

不涂胶水
No cement
《聚乙烯套》
Poly cap

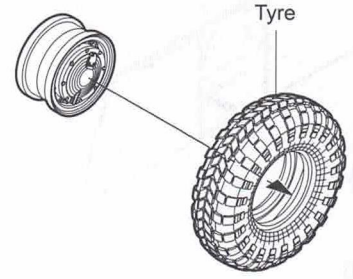
C21

D2

制作8组
Make eight



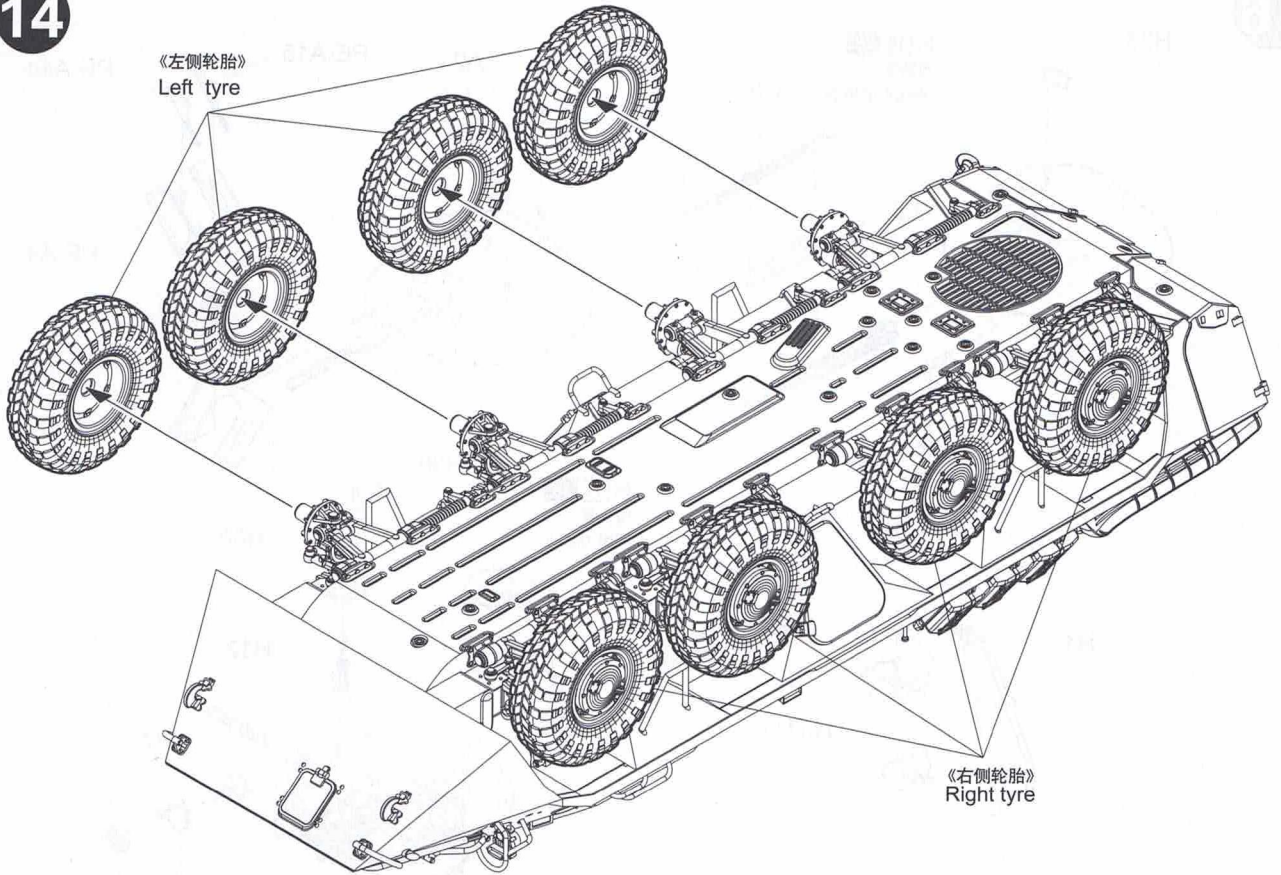
《右侧轮胎》
Right tyre
制作2组
Make two



《轮胎》
Tyre

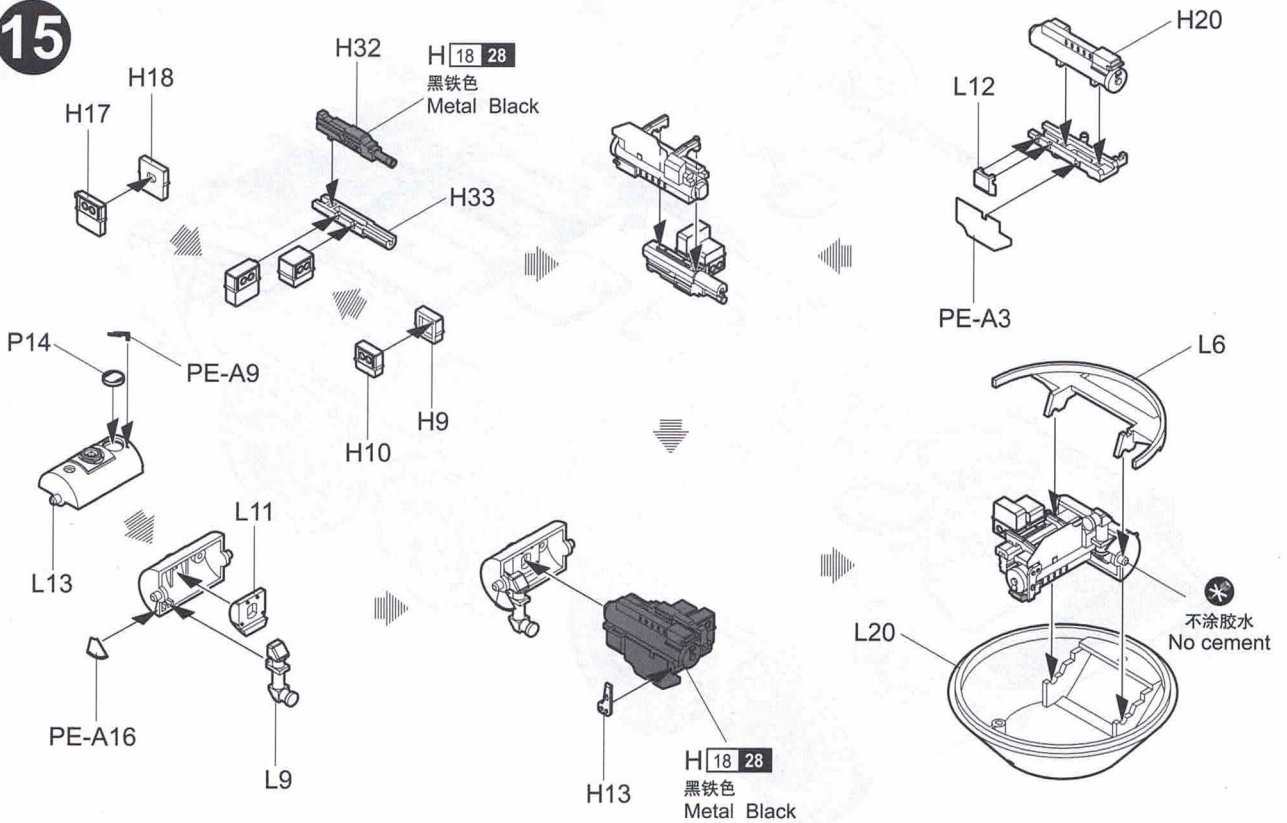
14

《左侧轮胎》
Left tyre

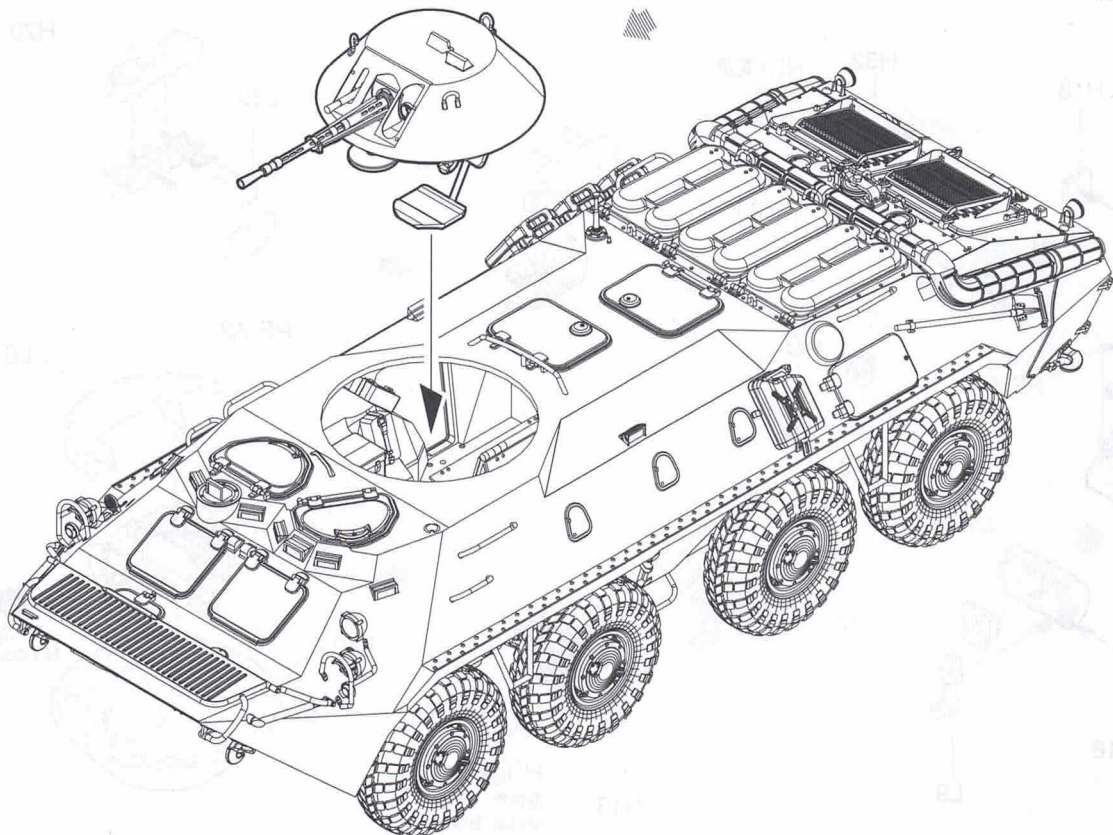
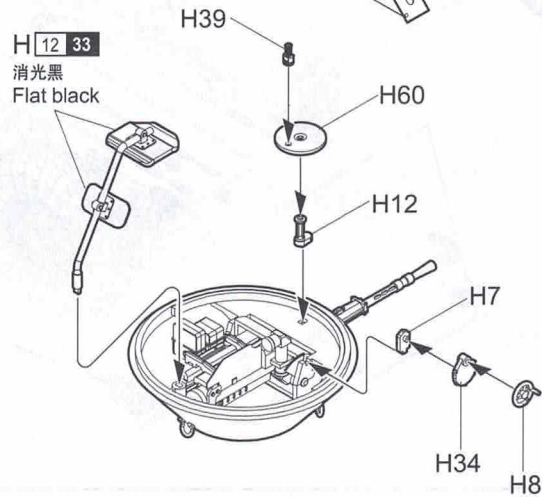
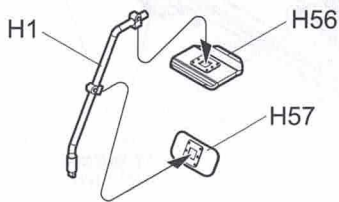
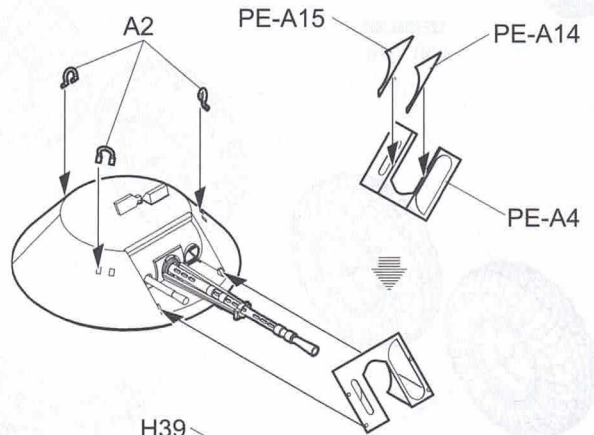
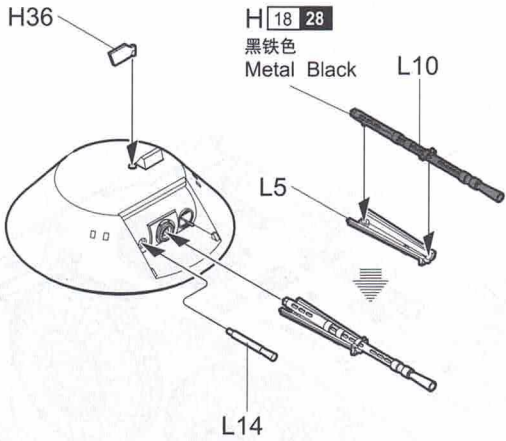


《右侧轮胎》
Right tyre

15



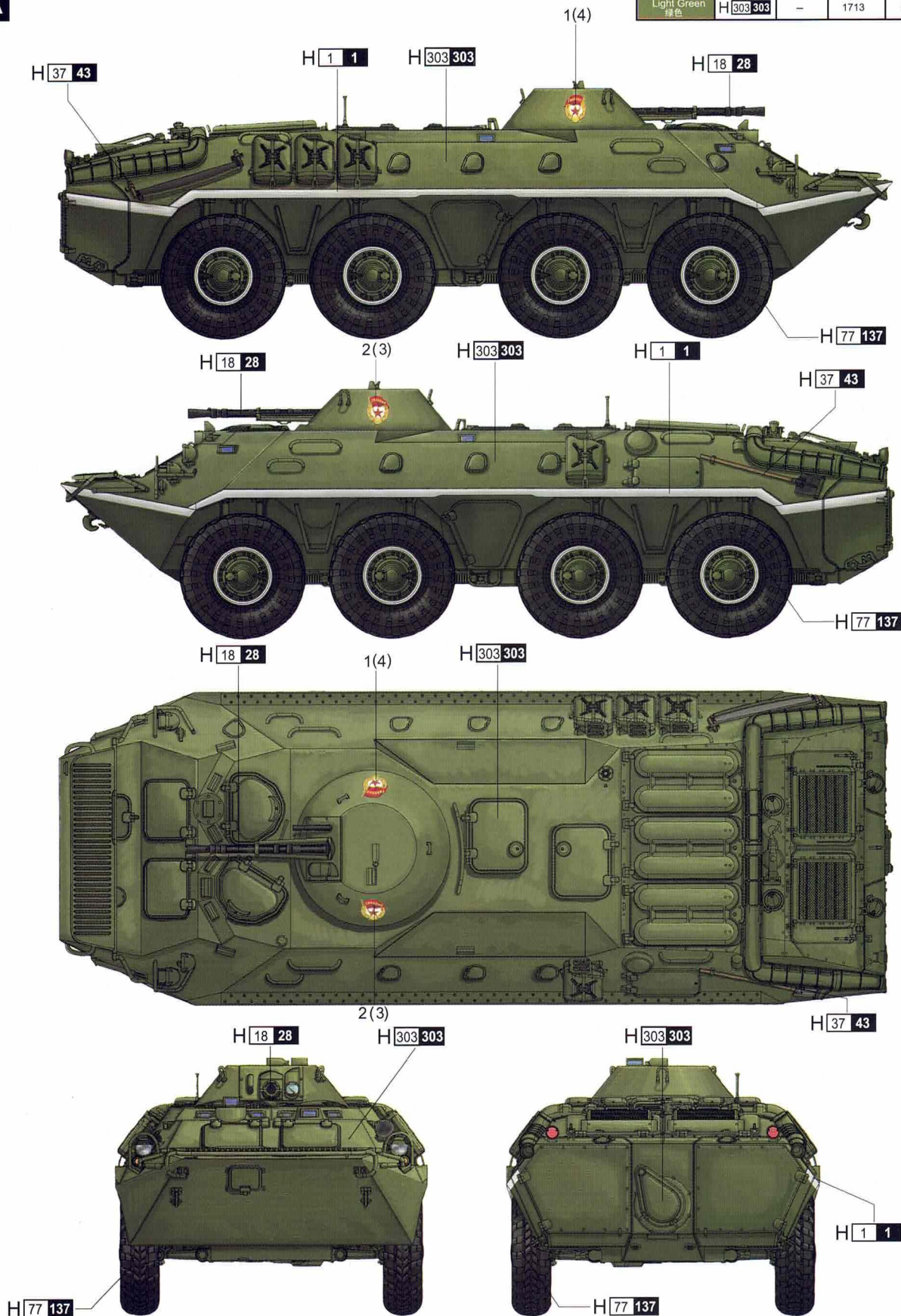
16



涂装同标贴指示 Painting & Marking guide

A

Color	Mr.Hobby	Vallejo	Model Master	Tamiya	Humbrol
White 白色	H 1 1	842	1745	X2	22
Metal Black 黑灰色	H 18 28	864	1402	-	-
Wood Brown 木棕色	H 37 43	983	1701	-	186
Tire Black 胎黑色	H 77 137	-	-	-	-
Light Green 绿色	H 303 303	-	1713	XF20	117

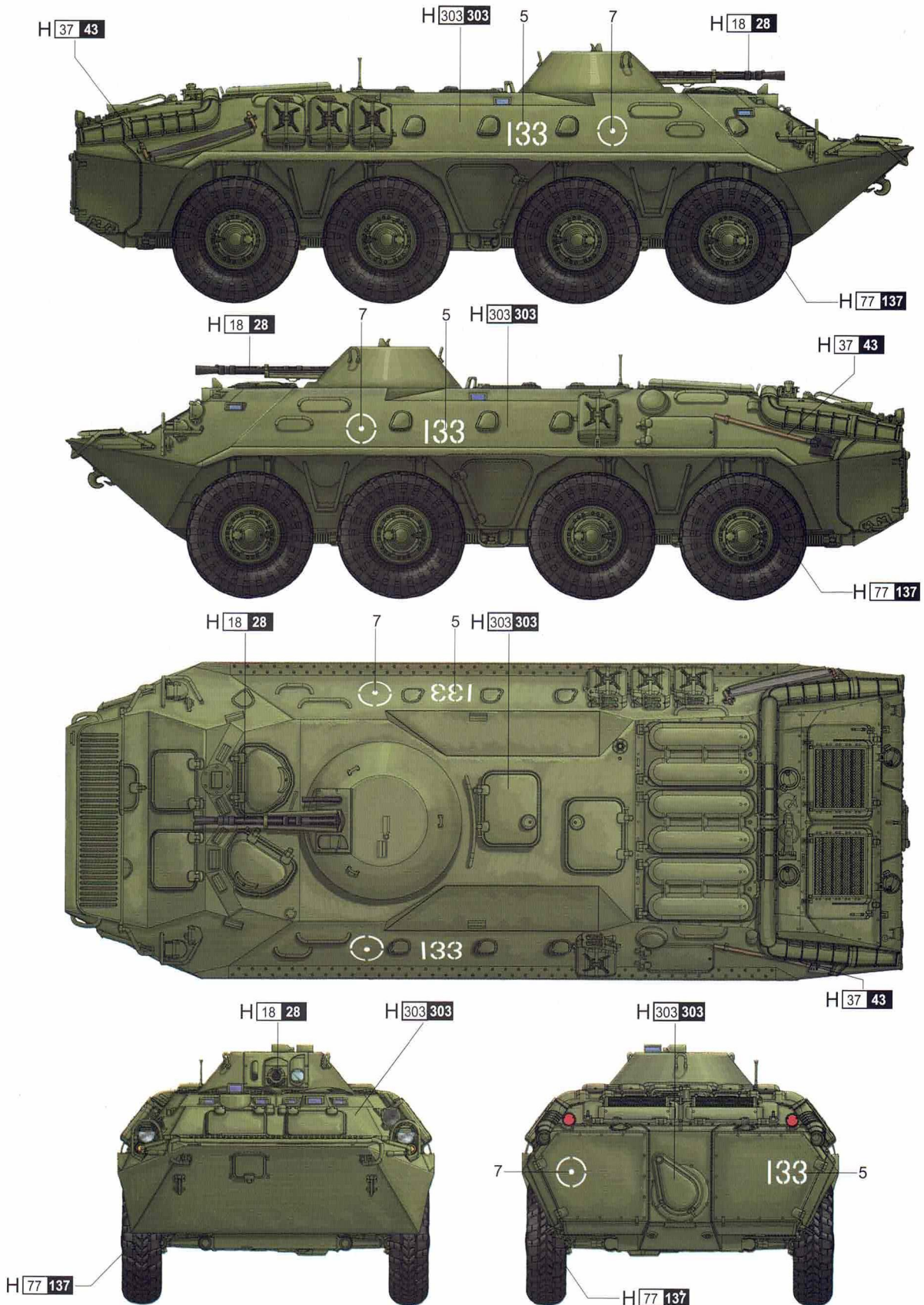


H AQUEOUS HOBBY COLOR ■ Mr. COLOR

涂装同标贴指示 Painting & Marking guide

Color	Mr.Hobby	Vallejo	Model Master	Tamiya	Humbrol
Metal Black 黑铁色	H 18 28	864	1402	-	-
Wood Brown 木棕色	H 37 43	983	1701	-	186
Tire Black 胎黑色	H 77 137	-	-	-	-
Light Green 绿色	H 303 303	-	1713	XF20	117

B



H AQUEOUS HOBBY COLOR ■ Mr. COLOR