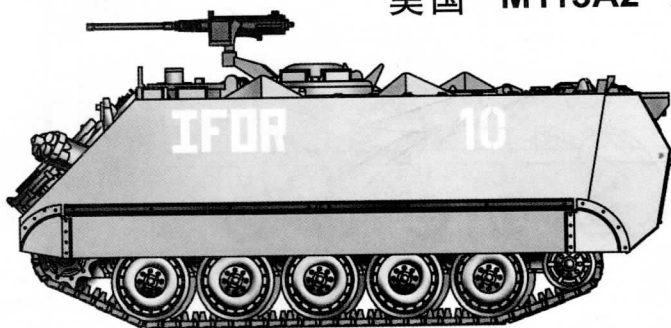


## US M113A2 Armored Car

美国 M113A2 装甲车



## READ BEFORE ASSEMBLY:

- This kit is not recommended for inexperienced modelers or for children under 14 years of age
- Study and understand these instructions thoroughly before beginning assembly
- When needed, remove photo-etch parts carefully using a modeling knife or photo etch sprue cutter, being careful not to damage or lose small parts.
- Take extra care in handling photo etch parts in order to avoid injury
- Apply instant cement sparingly to photo etch parts where instructed
- Tools recommended(not included in kit):Plastic and instant cements,sprue cutters,long nose pliers,,modeling knife, small files, tweezers, pin vise & scissors. Soft cloth and sandpaper will also assist in construction
- Glue and paint are not included in the kit. Use plastic cement and hobby paints only. Color guide for purchasing paint is included in the kit.
- Keep out of reach of small children. They must not be allowed to ingest small parts or handle plastic bags in any way.

## 装配之前仔细阅读

- 小心用模型锉刀锉平所有零件表面的注射浇口。
- 小心用刀片切下蚀刻片零件，不要遗失小零件。
- 用强力快干胶水粘合蚀刻片零件和金属轴。过量的快干胶水使用可能导致可动零件会粘住，小心涂胶。
- 取蚀刻片时应特别注意安全，防止利边划伤手指。
- 某些零件表面需贴水上贴纸，请选择在装配的同时进行。
- 推荐模型工具(自备)：胶水，水口剪刀，长咀钳，刀片，锉刀，镊子，钳，钻，剪刀，瞬间快干胶。
- 软布同砂纸同时也应该是必备工具。
- 请使用塑料胶水和油漆，模型内不含。
- 谨防小孩吸吮塑料零件，或者将塑料袋套在头上，制作时应将套材远离小孩接触。
- 本产品不适合14岁以下没有经验的模型爱好者



cyanoacrylate glue  
使用强力胶



weight  
配重



make hole  
钻孔



cut / remove  
切除



bend  
弯曲



file / sand  
锉平



option  
选择



no cement  
不涂胶水



decal  
贴纸

## 水贴纸的使用:

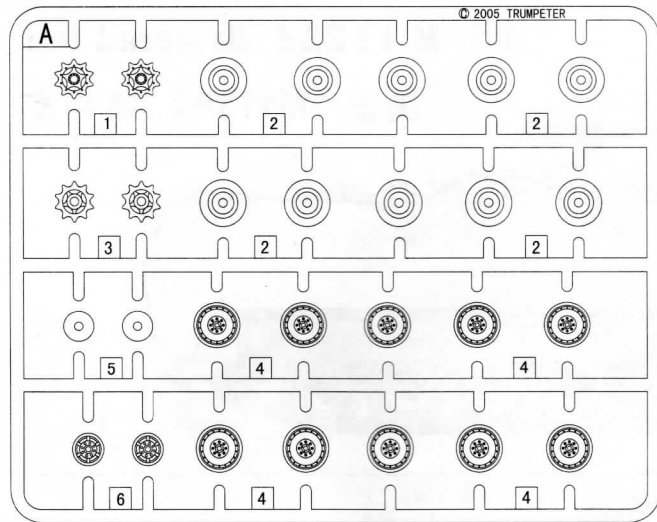
1. 从水贴上剪下印花;
2. 将印花放入温水中浸10秒, 然后放在干净布上。
3. 拿着印花纸板将印花移到模型上;
4. 手指蘸水将印花移到适当的位置;
5. 用软布轻压印花直至水干, 气泡消失。

## DECAL APPLICATION

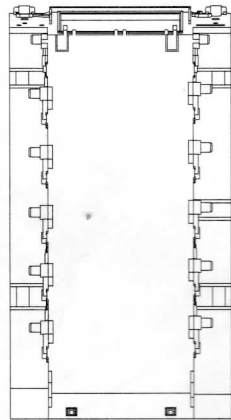
1. Cut off decal from sheet.
2. Dip the decal in tepid water 40°C for about 10 sec. and place on a clean cloth.
3. Hold the backing sheet edge and slide decal onto the model.
4. Move decal into position by wetting decal with finger.
5. Press decal gently down with a soft cloth until excess water and air bubbles are gone.

# 部品图 Parts

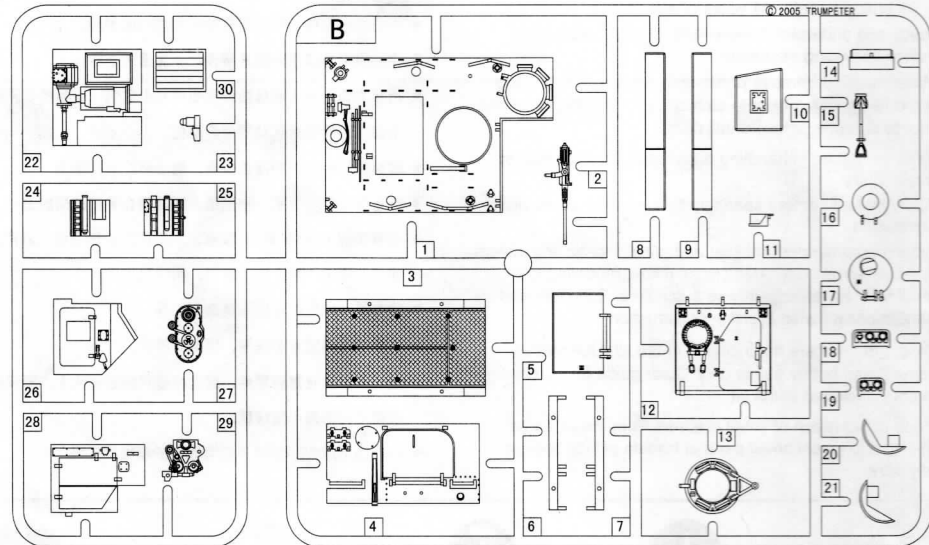
A



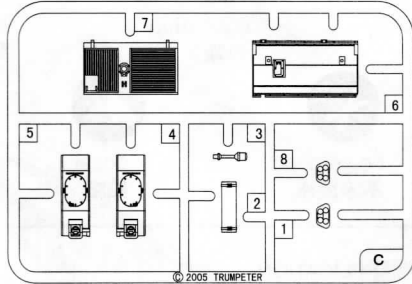
车底 Lower hull



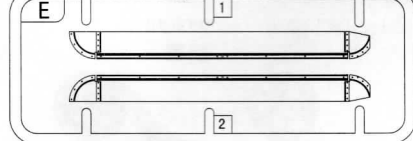
B



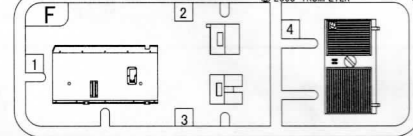
C



E



F



履带  
Track

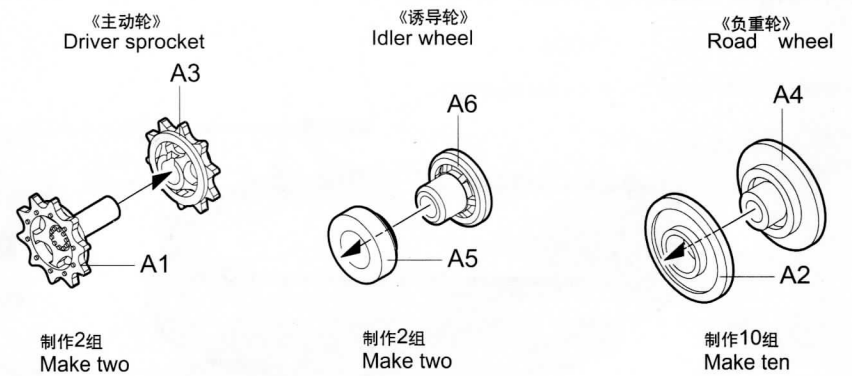
不用部品:  
No used parts: B15、  
C6、F2、F3、F4

水贴  
Decal



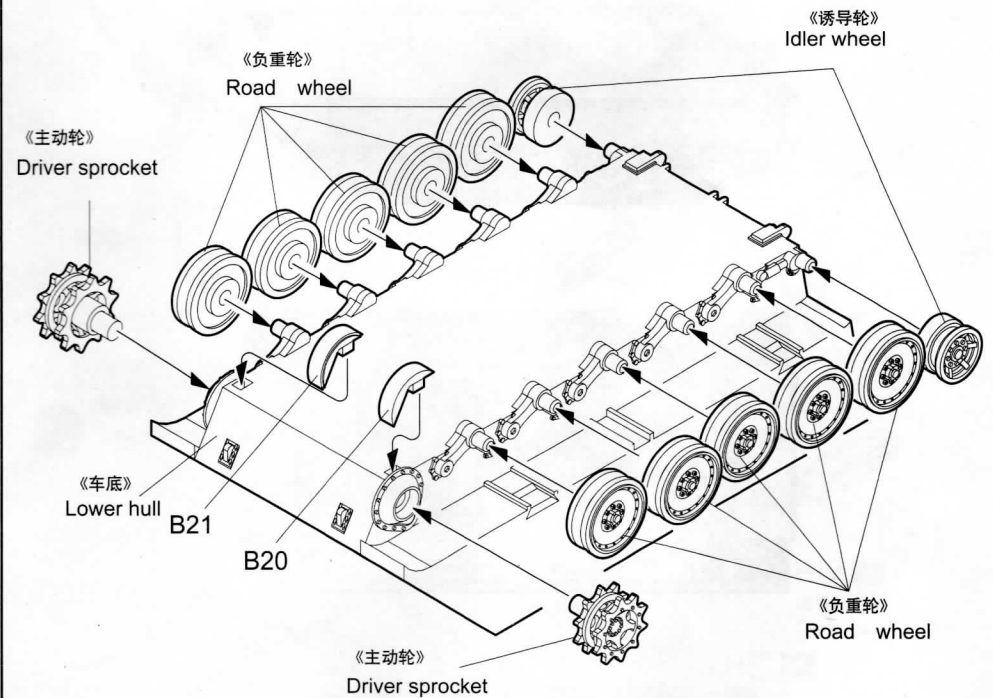
1

## 车轮组装 Wheel assembly



2

## 车轮安装 Attaching wheel



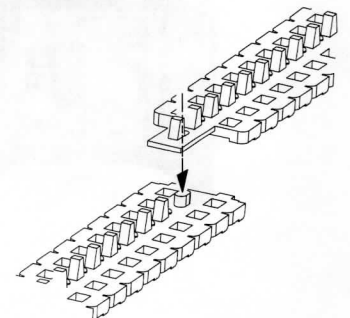
## 履带联接 Track construction

\*根据实际要求选择履带尺寸。

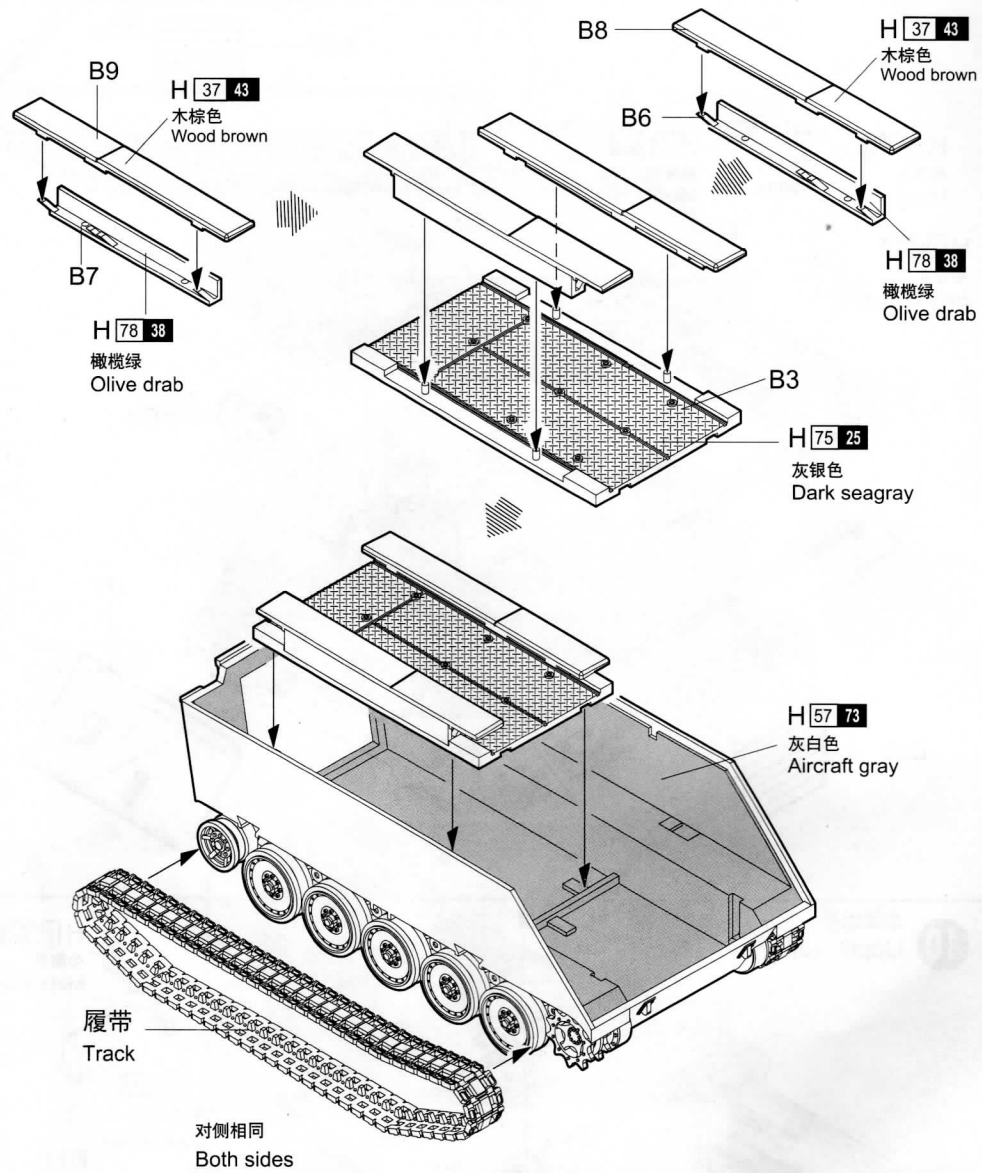
\*若履带断裂,用细丝线固定。

\*Melt pin heads carefully with a heated nail etc.  
Immediately press pin heads with your finger.

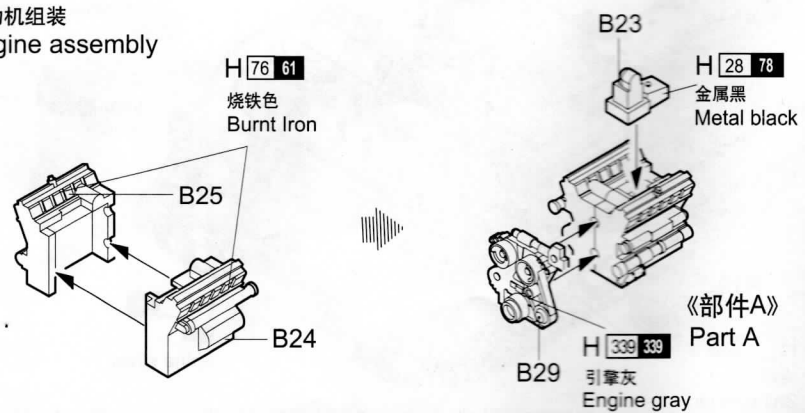
\*If track is broken strengthen with staples or thread.



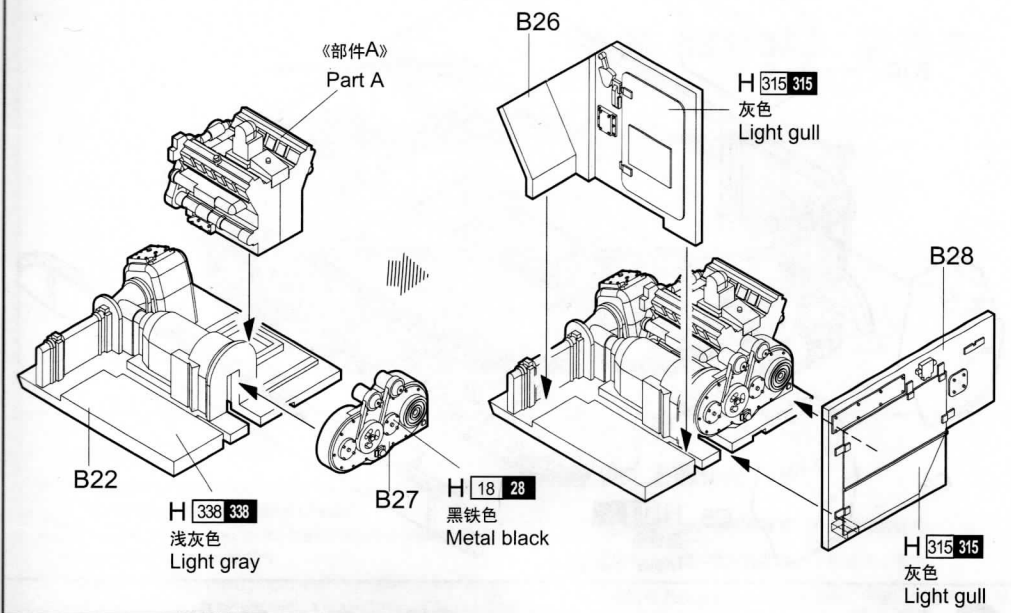
**3** 车体组装  
Hull assembly



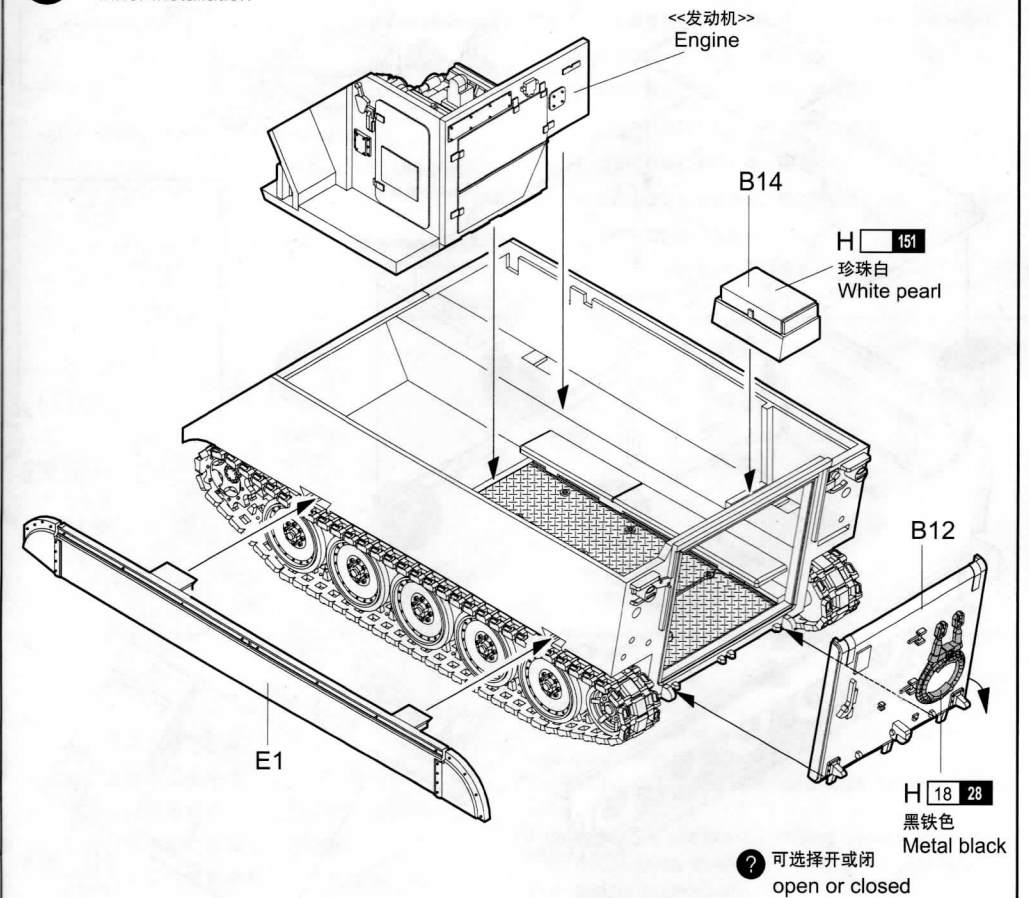
**4** 发动机组  
Engine assembly



**5** 发动机组  
Engine assembly

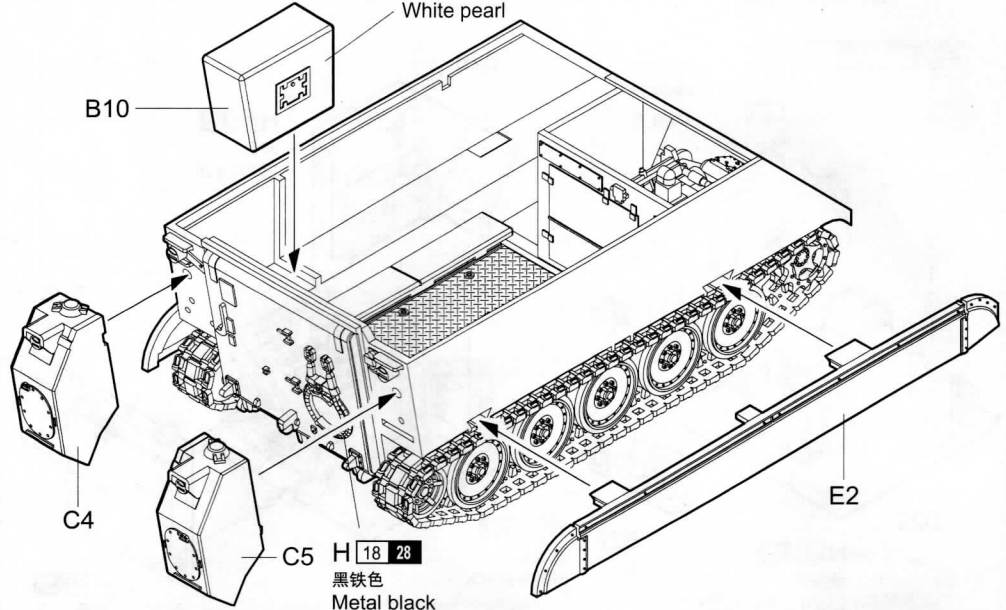


**6** 车内零件组装  
Inner installation

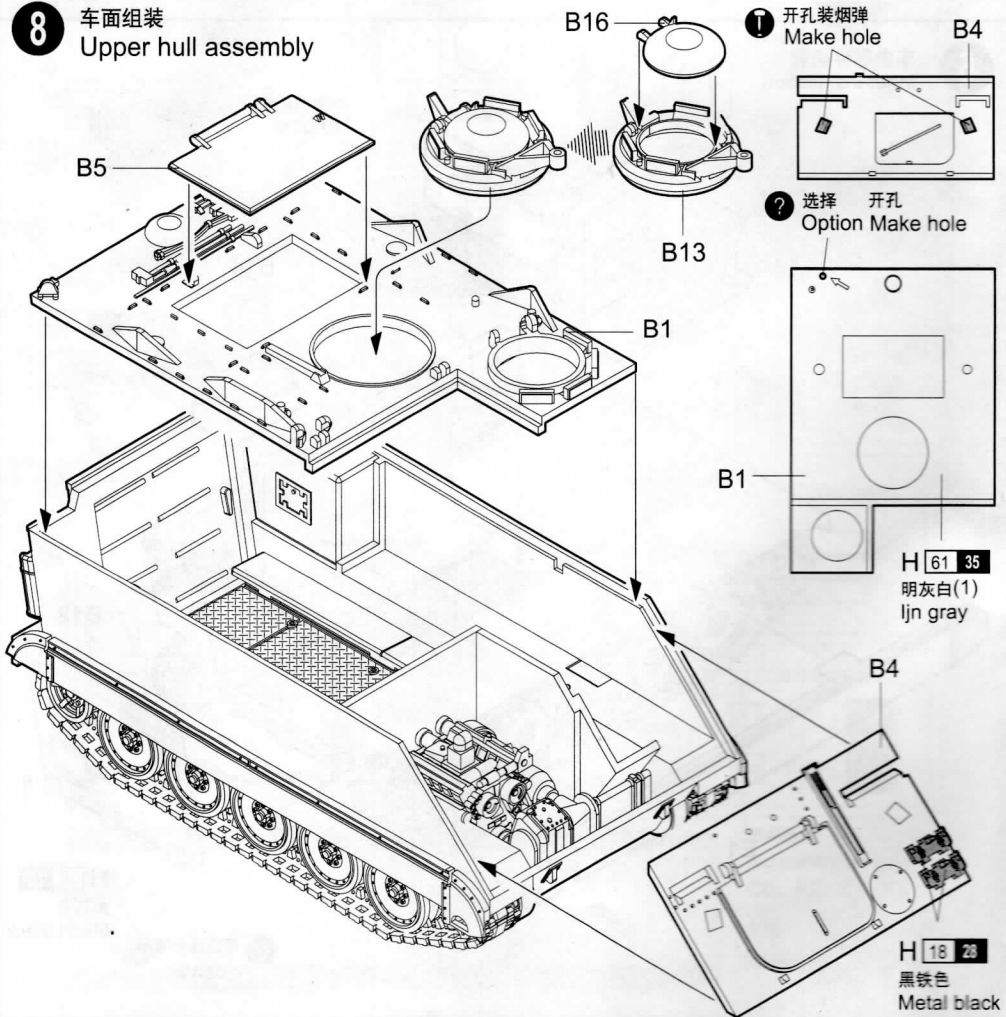


**7** 车内零件组装  
Inner installation assembly

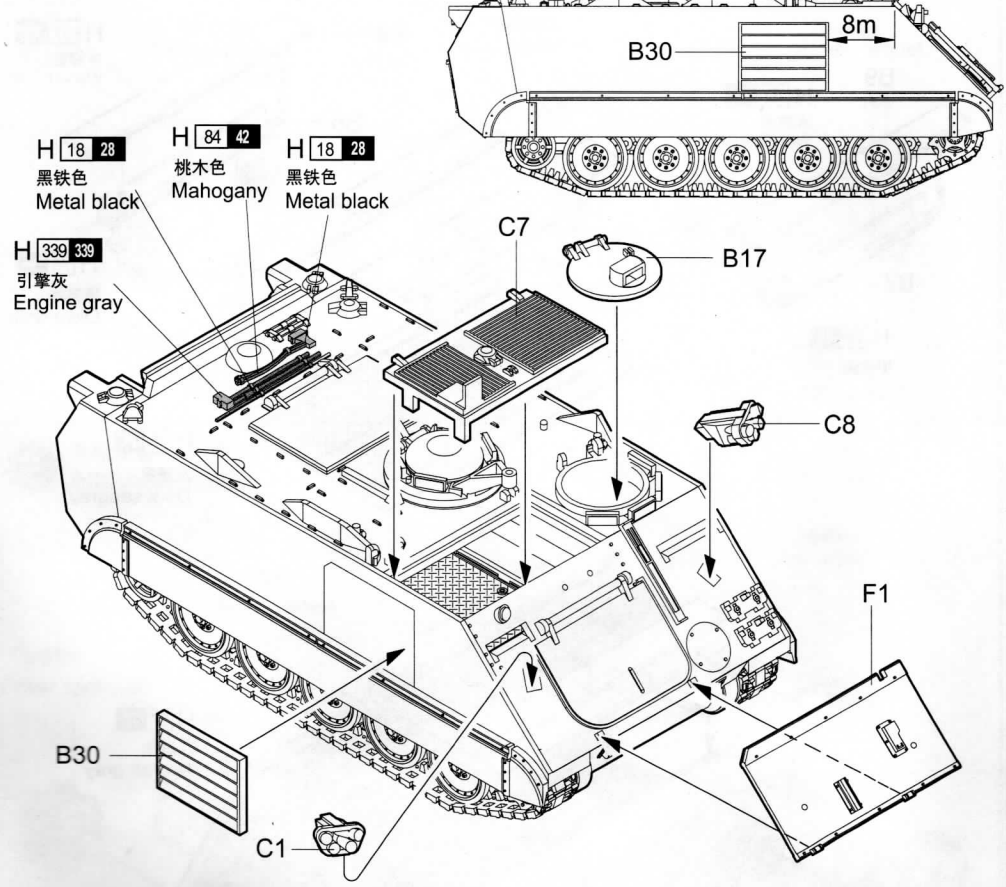
H 151  
珍珠白  
White pearl



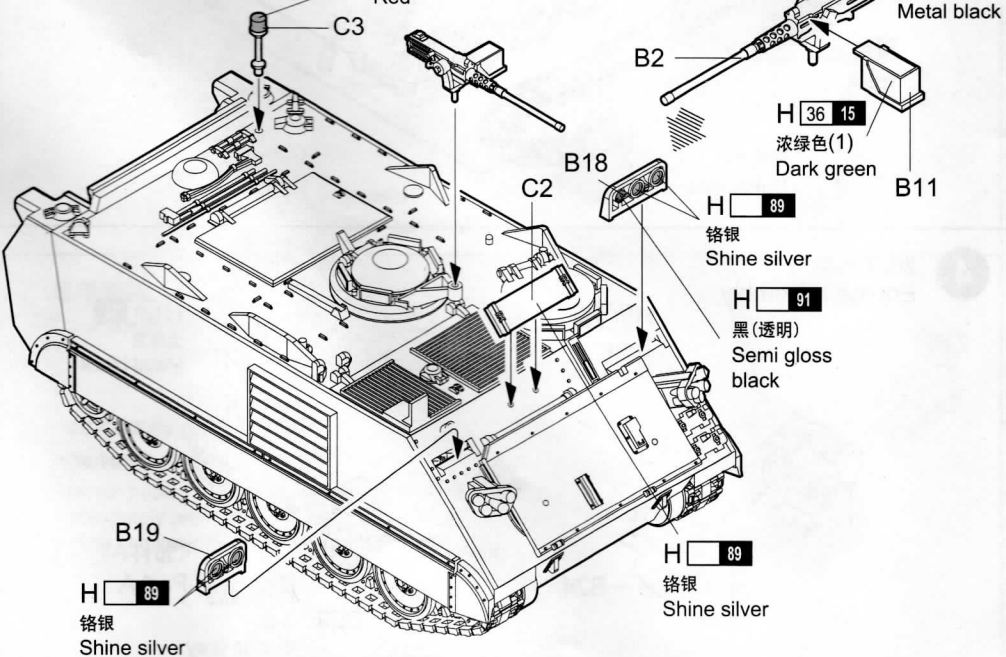
**8** 车面组装  
Upper hull assembly



**9** 车面组装  
Upper hull assembly



**10** 车面组装  
Upper hull assembly

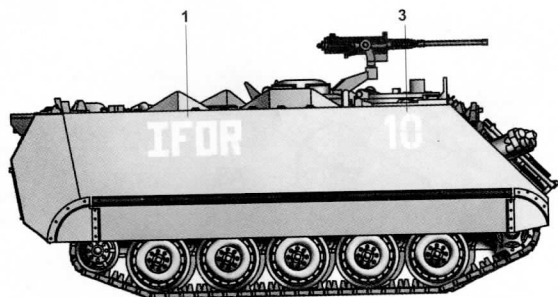




涂装同标贴指示  
Painting & Marking guide

郡仕色使用

Gunze Mr. color used



H 66 119

沙棕色

R1m79 sandy brown

