

US White 666 Cargo(Soft Top)

ホワイト6トン 6×6カーゴトラック(ソフトトップ) 美国怀特666 6吨卡车 (软顶)

PLEASE READ BEFORE OPERATION!

- * Tools recommended as below: (Not included)
Adhesives; Paints; Side Cutters; Sharp Edged Pliers; Modeling Knife; Modeling File; Nippers; Drill; Scissors; Sand Paper; Soft Cloth; Cyanoacrylate Glue.
- * Make sure to read this instruction listed below before assembling.
- * The kit contains the small parts, they can be dangerous if swallowed by mistake, so keep them away from reach of children.
- * Cut the all parts off carefully and remove the waste parts into the garbage can.
- * More caution and care should be needed for cutting and handling the photo etched parts.
- * Make attention that some parts should be attached the decal when assembled.
- * During assembling, please tear up and throw away the plastic bags, or may cause the dangerous if wearing over head by children's mistake.
- * When using the adhesives and paints, please do not use them in the closed room or near the fire, also must be very careful to protect your eyes, face and clothes.
- * Adult supervised when assembled by children under 14 years old.

装配前请仔细阅读:

- * 推荐使用的模型工具(请自备):
专用模型胶水, 专用模型油漆, 水口剪刀, 长咀钳, 刀片, 锉刀, 镊子钳, 钻, 剪刀, 软布, 砂纸, 瞬间快干胶等。
- * 用水口剪刀或刀片小心切下所有塑胶零件和蚀刻片零件, 不要遗失小零件。
- * 切取蚀刻片时应特别注意防止利边划伤手指。
- * 用模型锉刀小心锉平所有零件表面的注射浇口。
- * 用适量的强力快干胶水粘合蚀刻片零件和金属轴, 切忌过量, 否则可能导致可动零件被粘住。
- * 注意某些零件表面需在装配时同步贴上水贴纸。
- * 制作时应远离幼儿并将包装袋及时收妥, 谨防小孩玩耍而引起意外。



cyanoacrylate glue
强力胶



weight
配重



make hole
钻孔



cut / remove
切除



option
选择



no cement
不涂胶水



decal
贴纸



bend
弯曲



repair
填补

The method to apply the decals

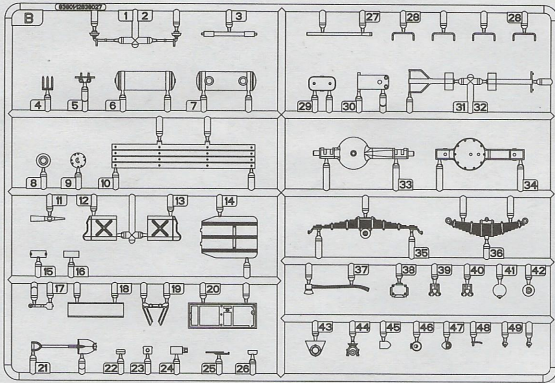
1. Cut off the decal from the decal paper and put it into the warm water 40°C for 10 seconds.
2. Take the decal from the water and put it on a piece of clean cloth.
3. Remove the decal slowly from the paper to the targeted location by a wet finger.
4. Use a piece of dry and soft cloth to press it gently on the decal until it getting dry and no bubble existing.

水贴纸的使用方法:

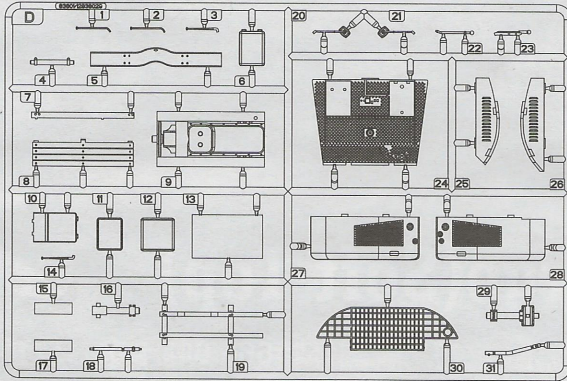
- 一. 把相关的印花从水贴纸上剪下, 放入40°C左右的温水中浸10秒。
- 二. 然后将印花放在干净的布上。
- 三. 拿上印花纸板, 手指蘸水将印花移到适当的位置。
- 四. 用软干布轻压印花直至水干, 气泡消失。

部品图 Parts

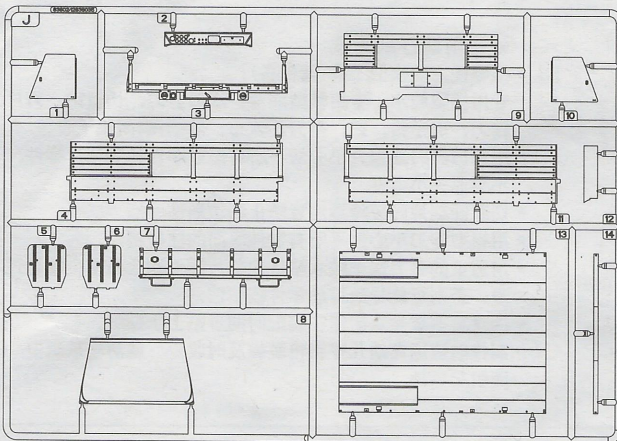
BX2



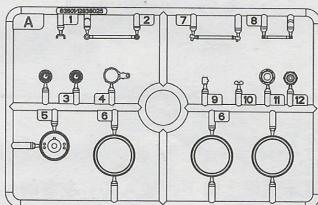
D



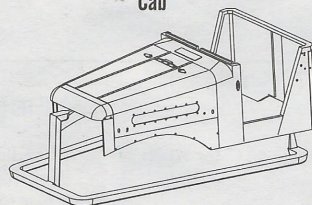
J



AX4

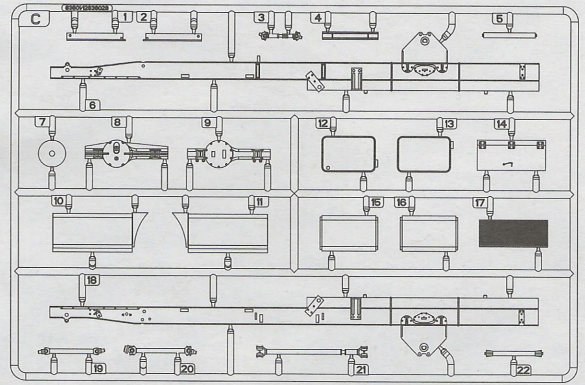


车头
Cab

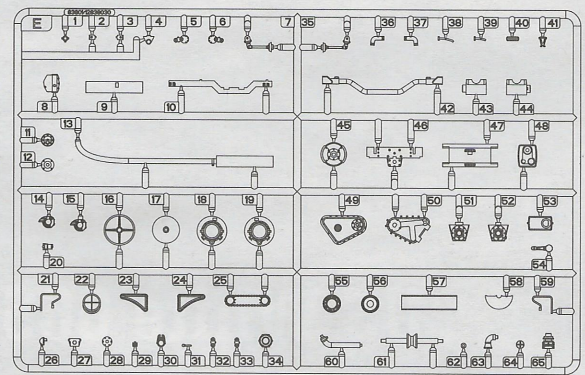


不用部品: E58、GP2、GP3、PE15
No used parts

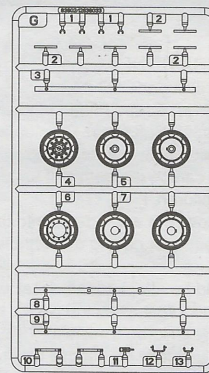
C



E



GX2



轮胎X12
Tyre



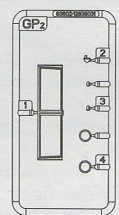
链条. Size: Ø0.25X50mm
Chain



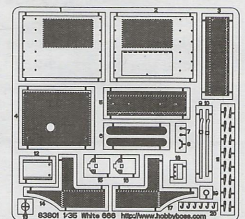
棉绳: Ø0.6X1000mm
Thread



GP



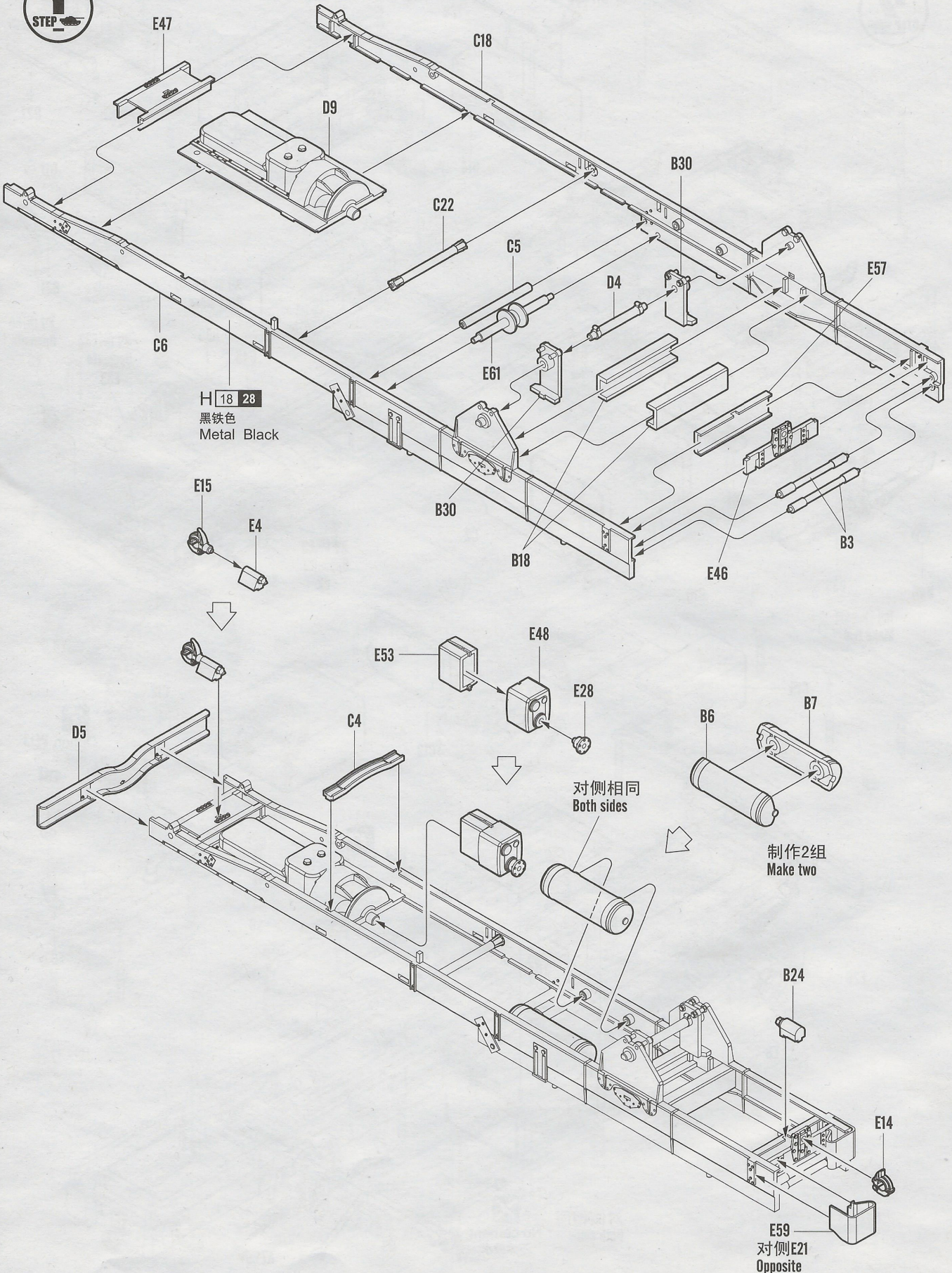
蚀刻片
PE



水贴纸
Decal



1
STEP



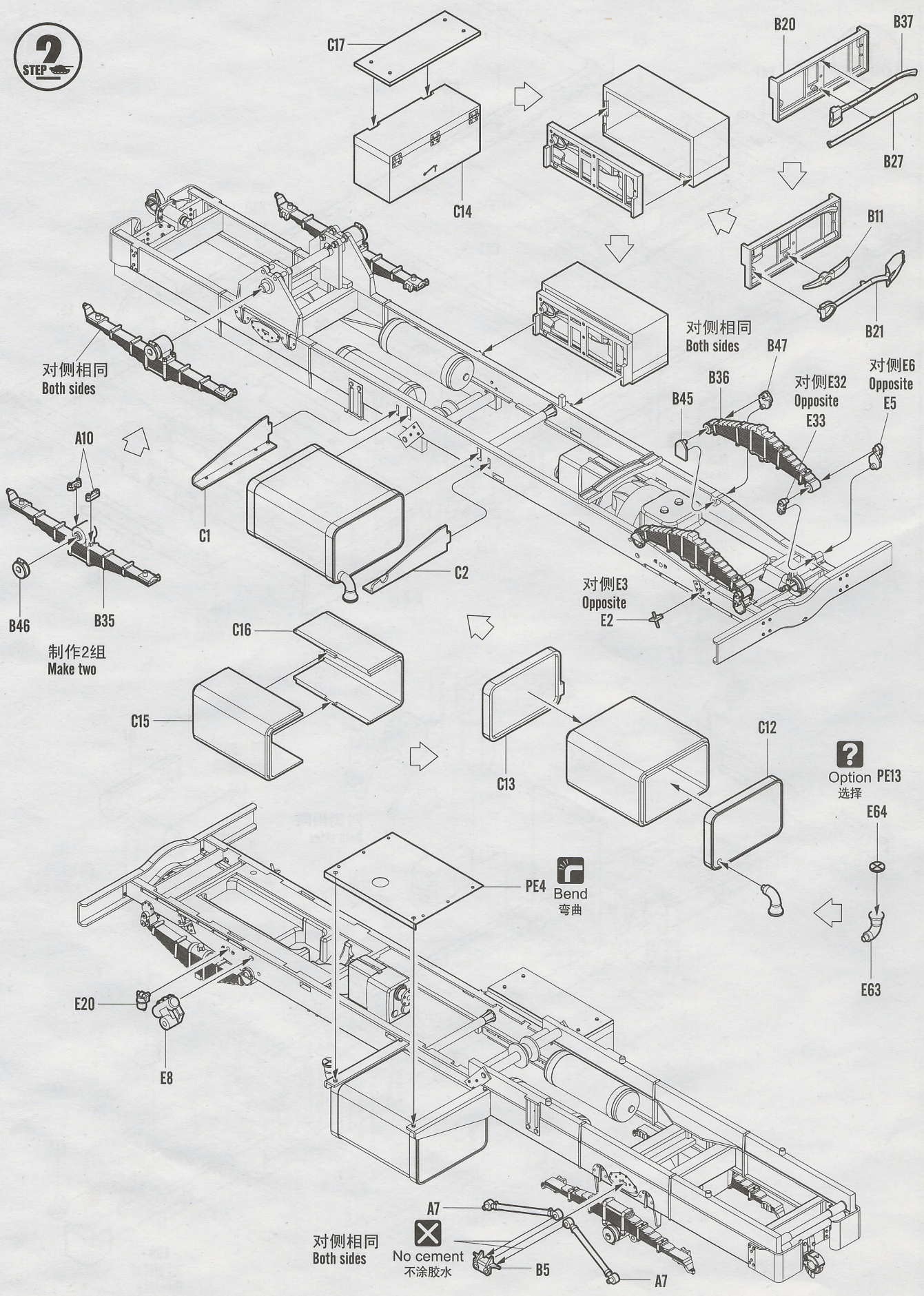
H 18 28
黑铁色
Metal Black

对侧相同
Both sides

制作2组
Make two

对侧E21
Opposite

2
STEP



对侧相同
Both sides

制作2组
Make two

对侧相同
Both sides

对侧E3
Opposite
E2

对侧E32
Opposite
E33

对侧E6
Opposite
E5

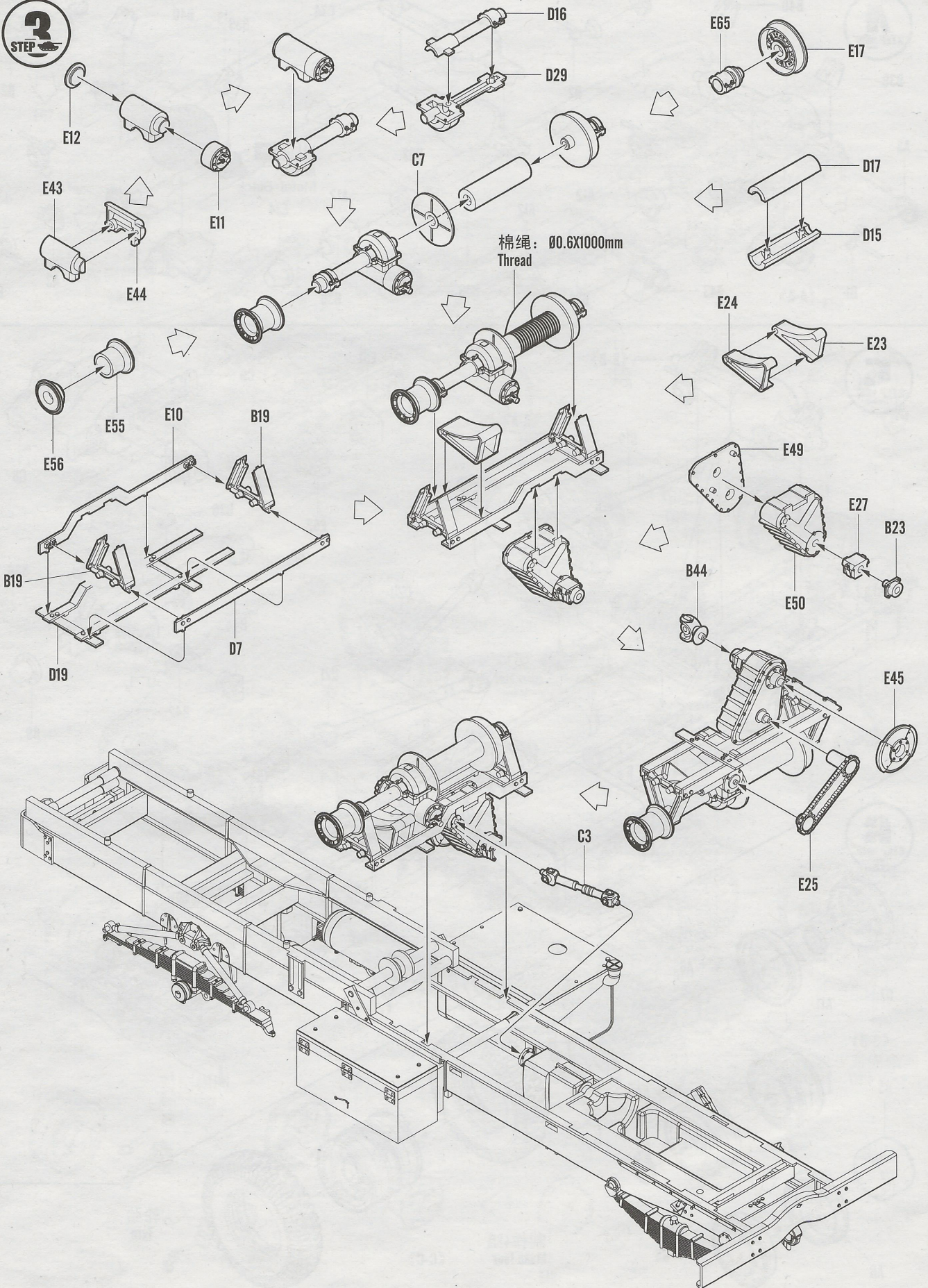
?
Option PE13
选择

B
Bend
弯曲

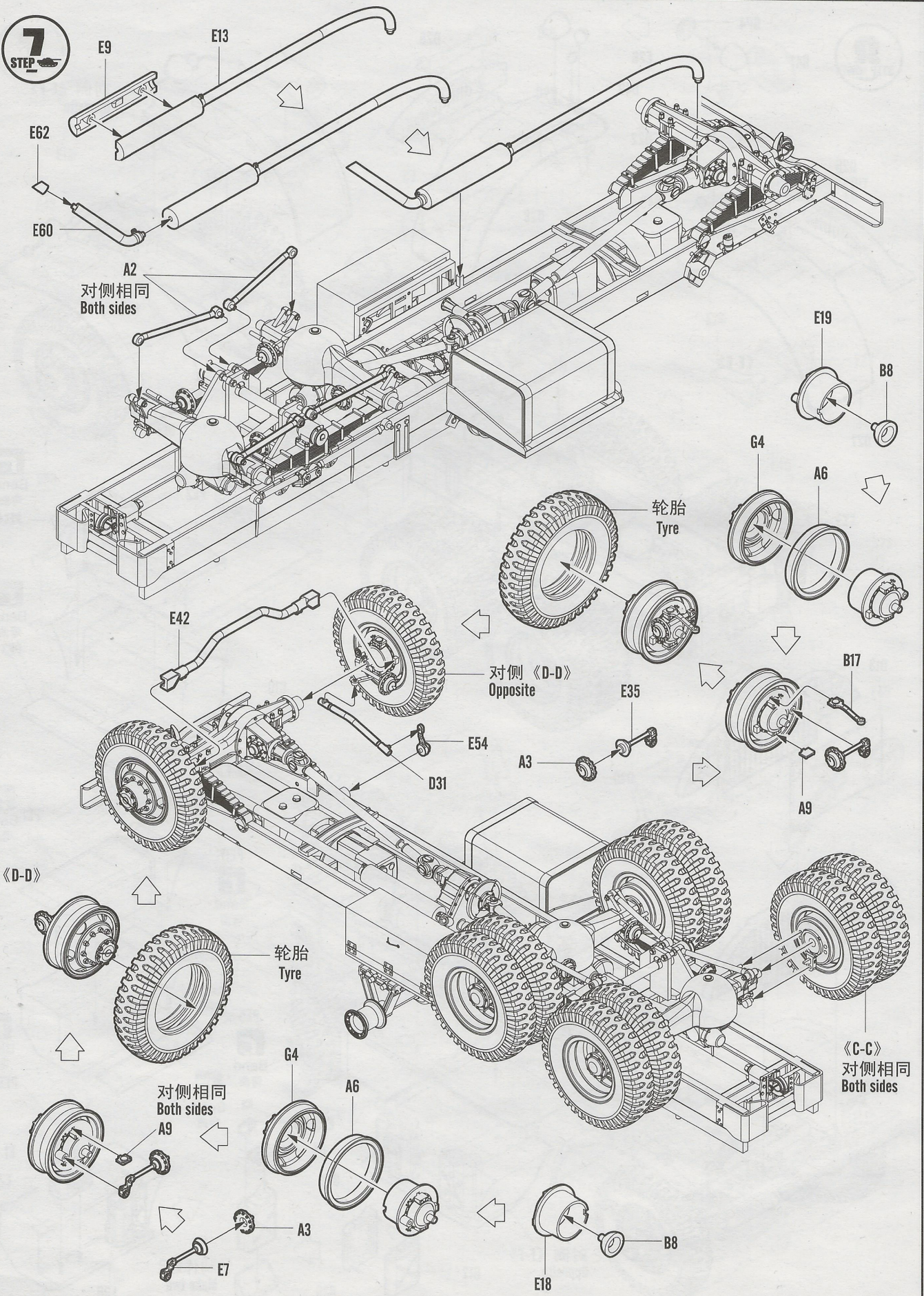
对侧相同
Both sides

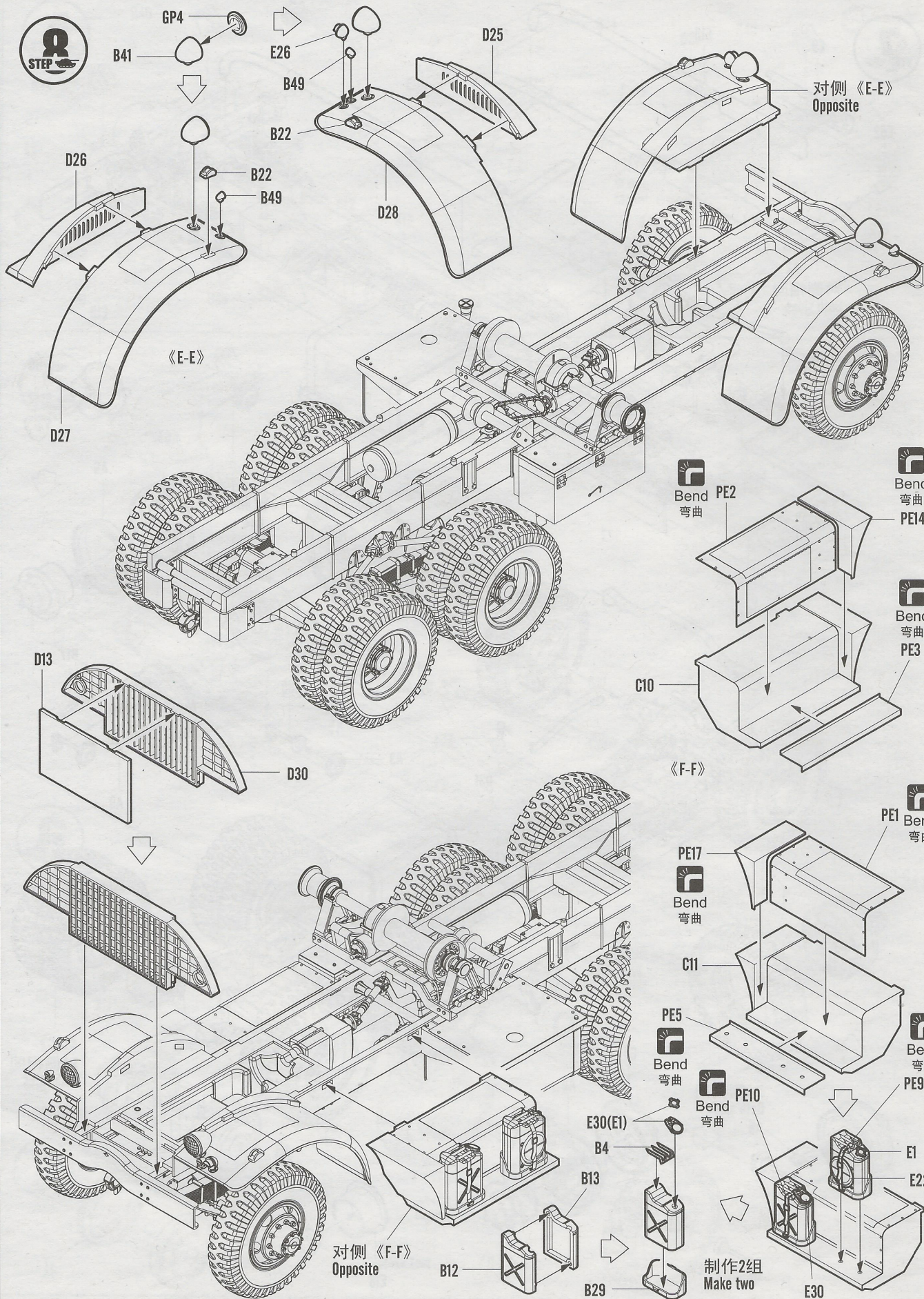
X
No cement
不涂胶水

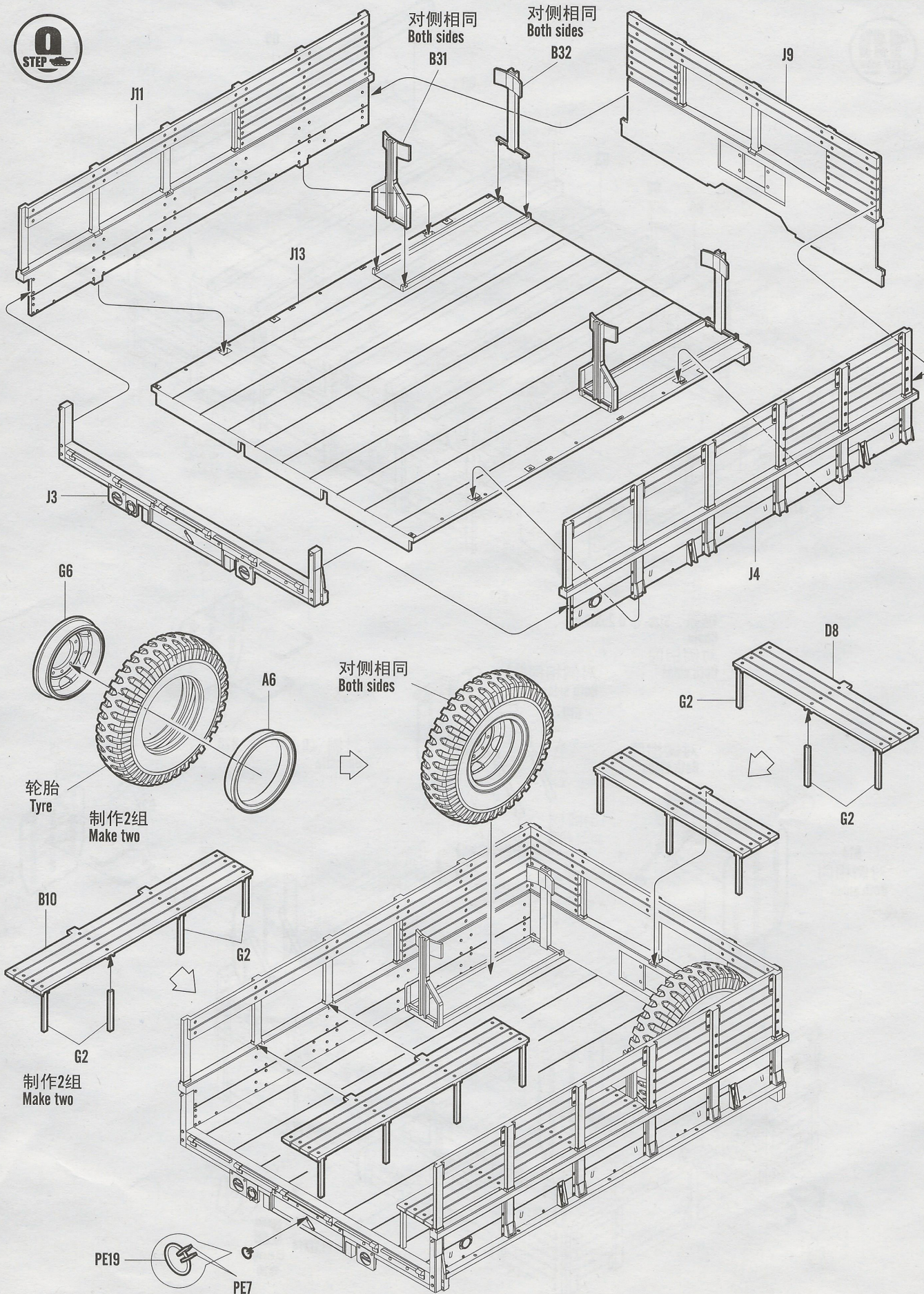
3
STEP

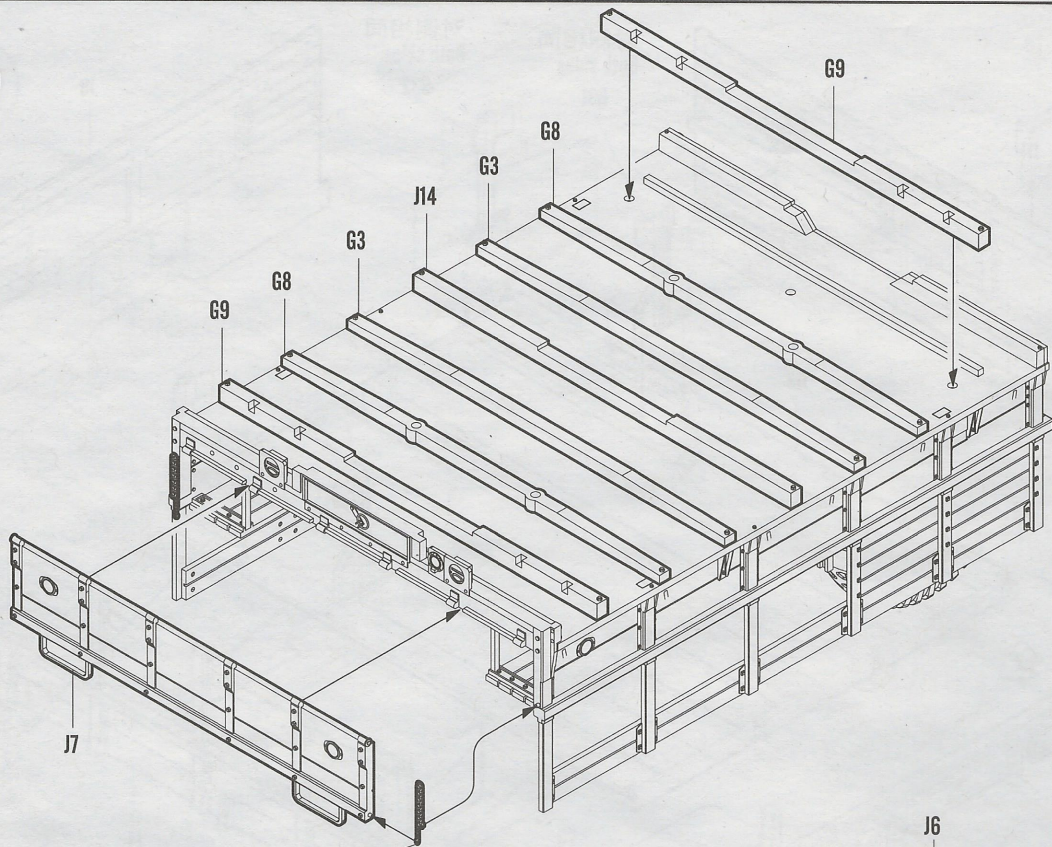


7
STEP









链条. Size: ϕ 0.25X17mm
Chain
对侧相同
Both sides

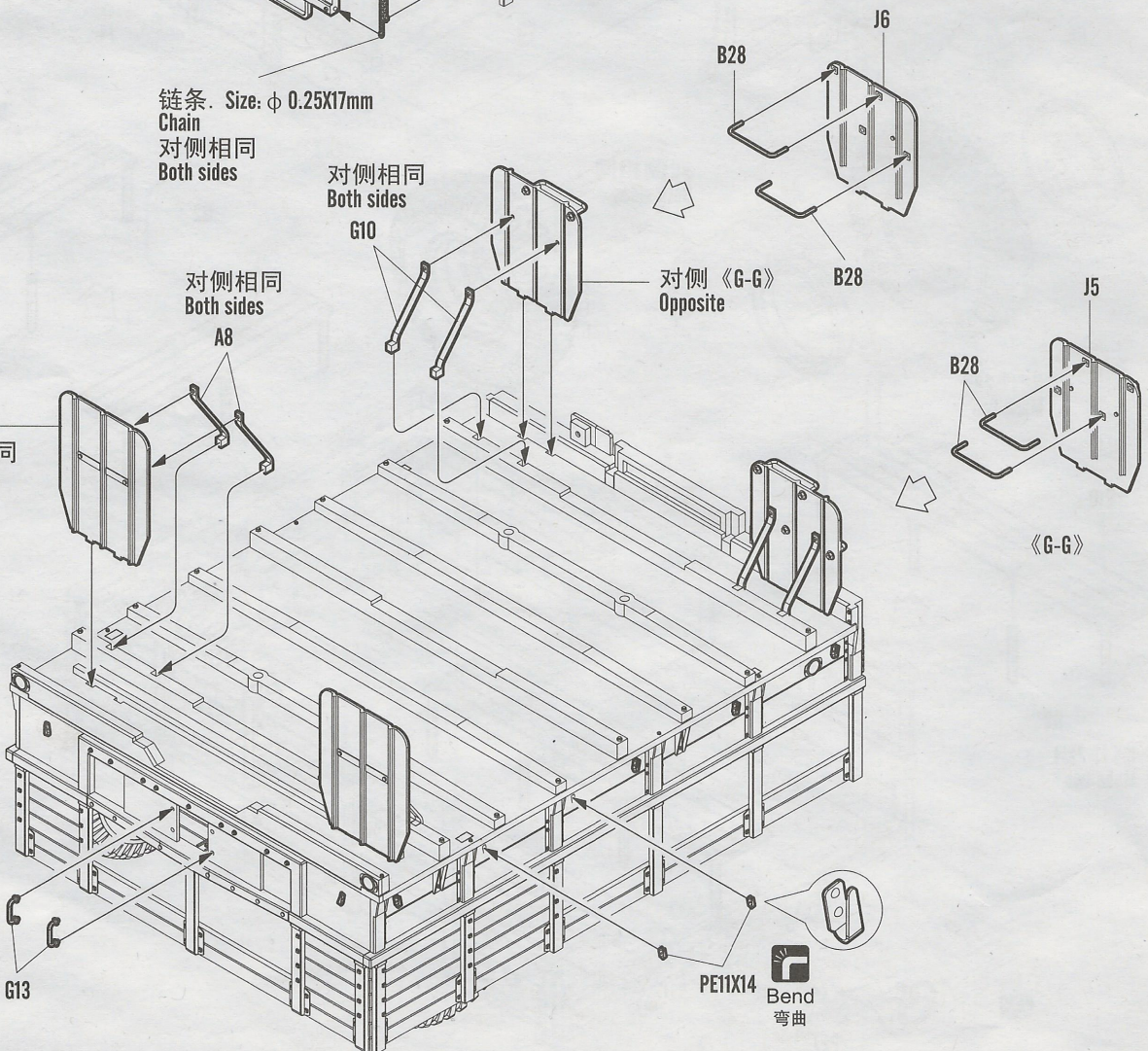
对侧相同
Both sides

对侧相同
Both sides

B14
对侧相同
Both sides

对侧《G-G》
Opposite

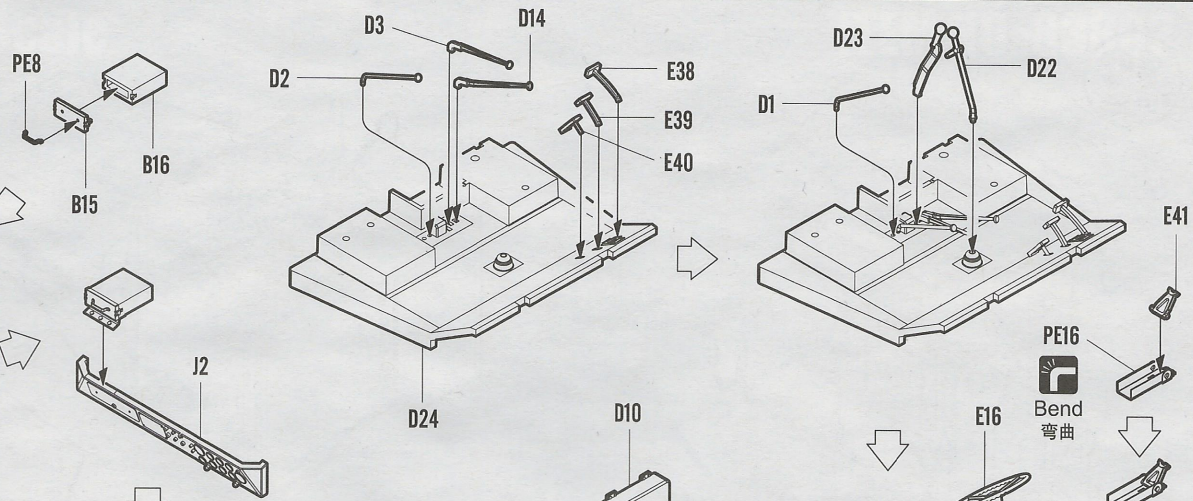
《G-G》



11
STEP

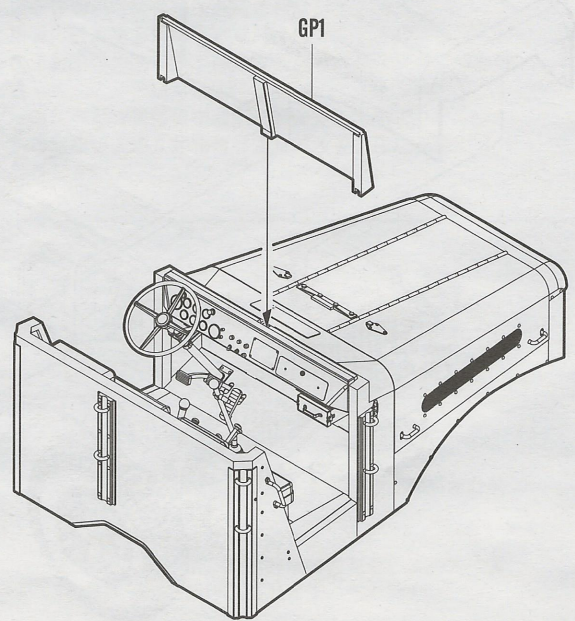
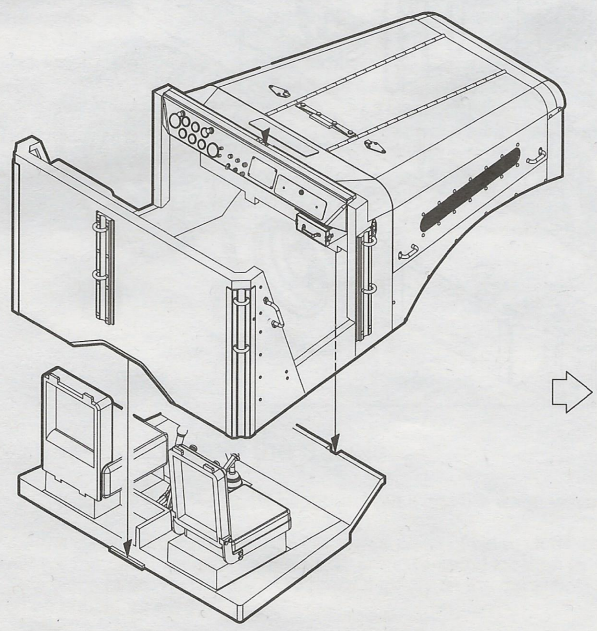
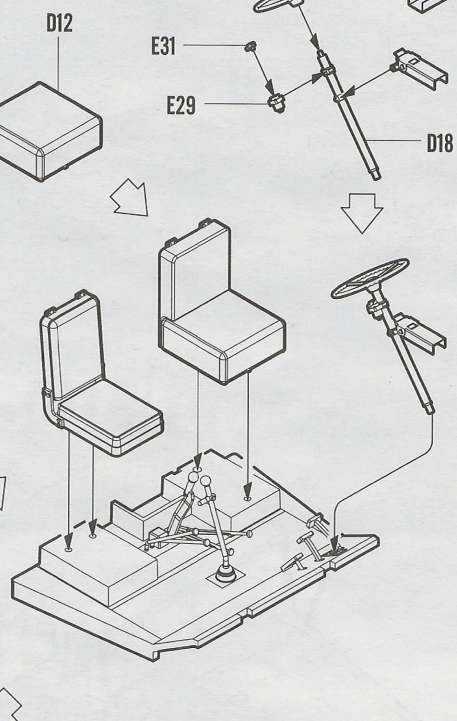
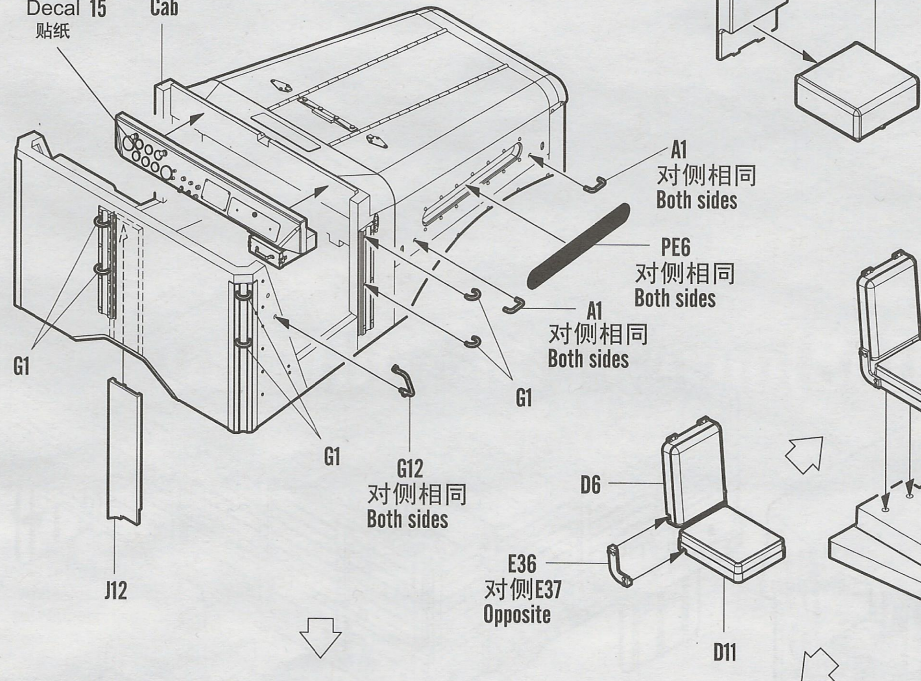


Bend
弯曲
PE18

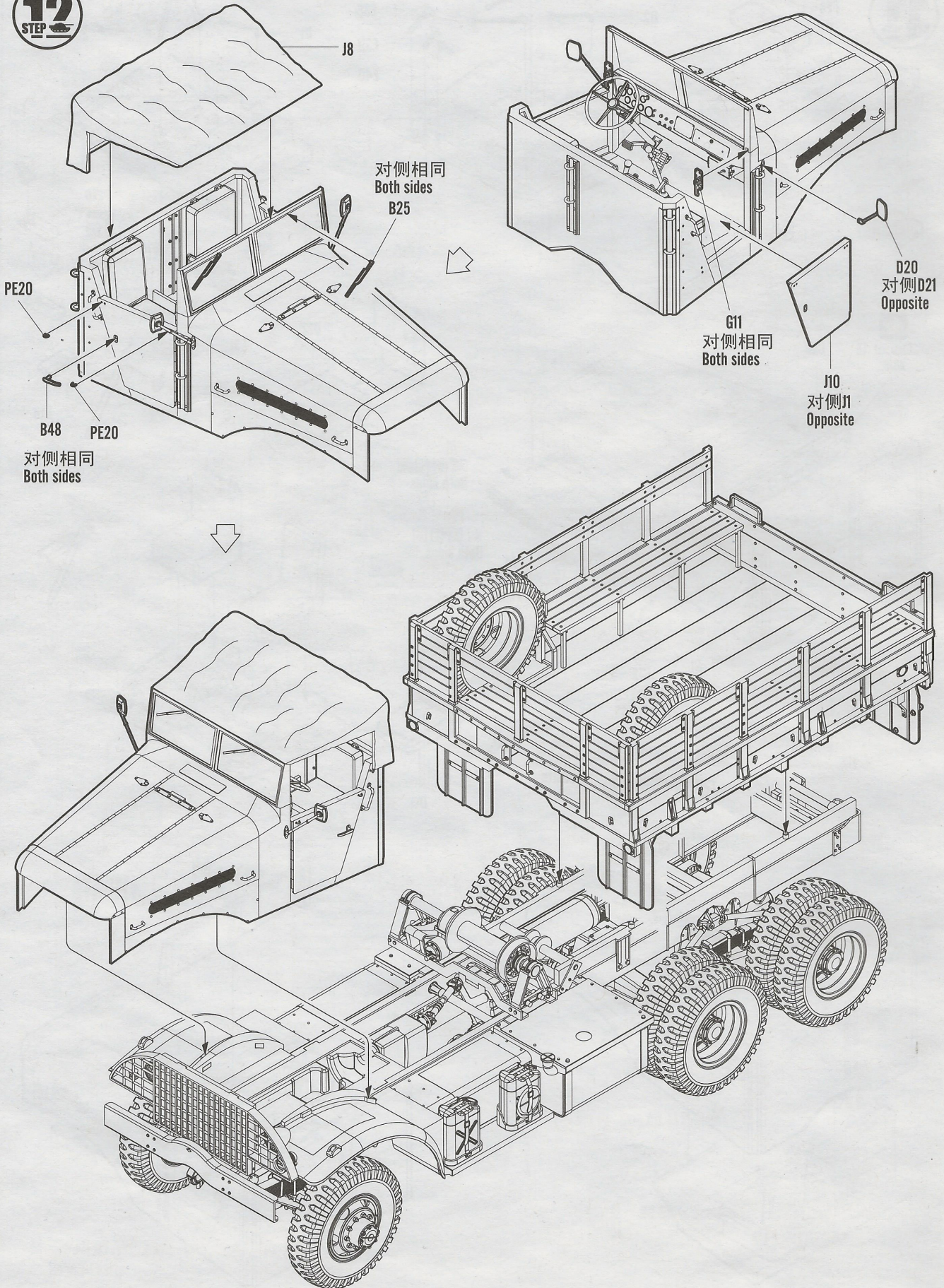


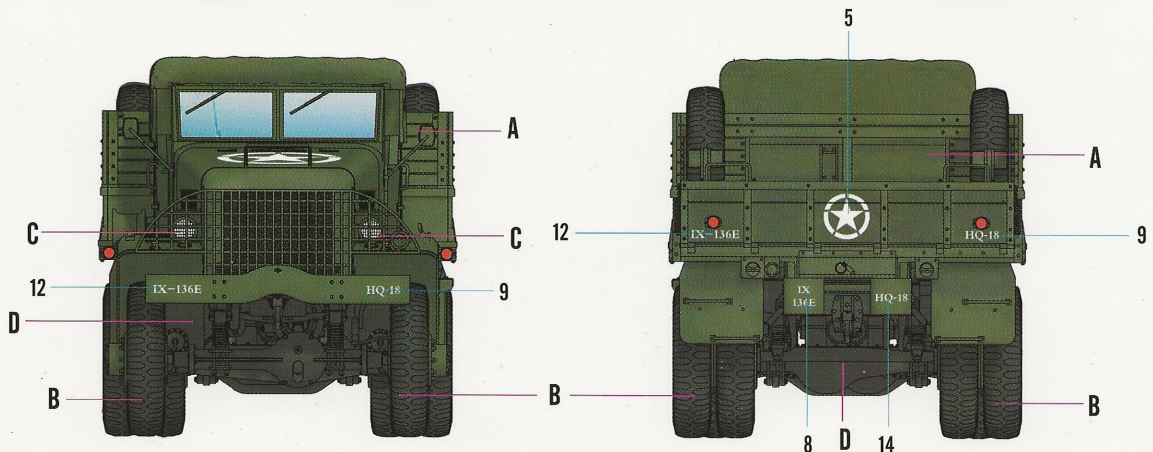
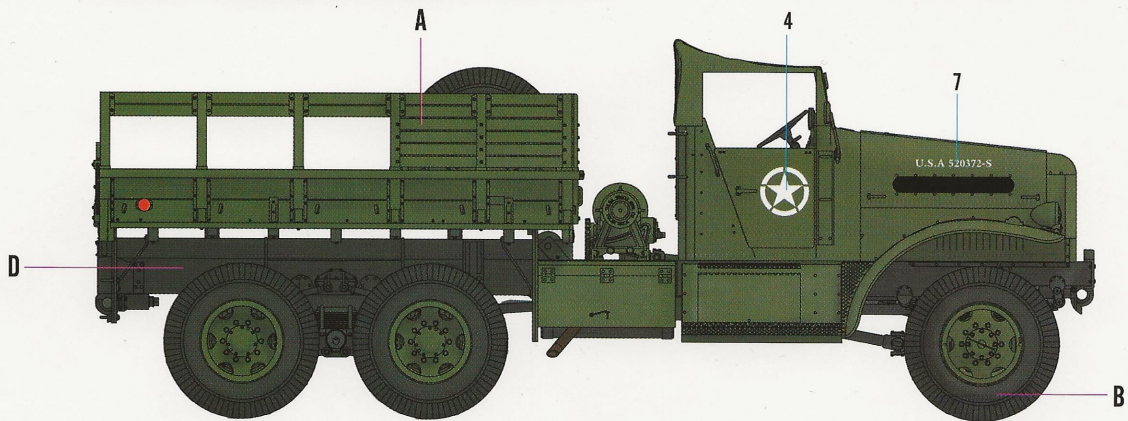
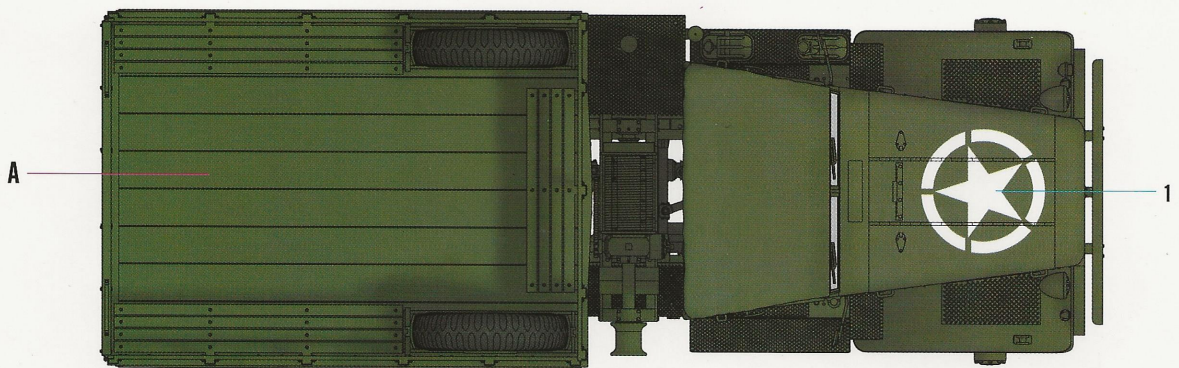
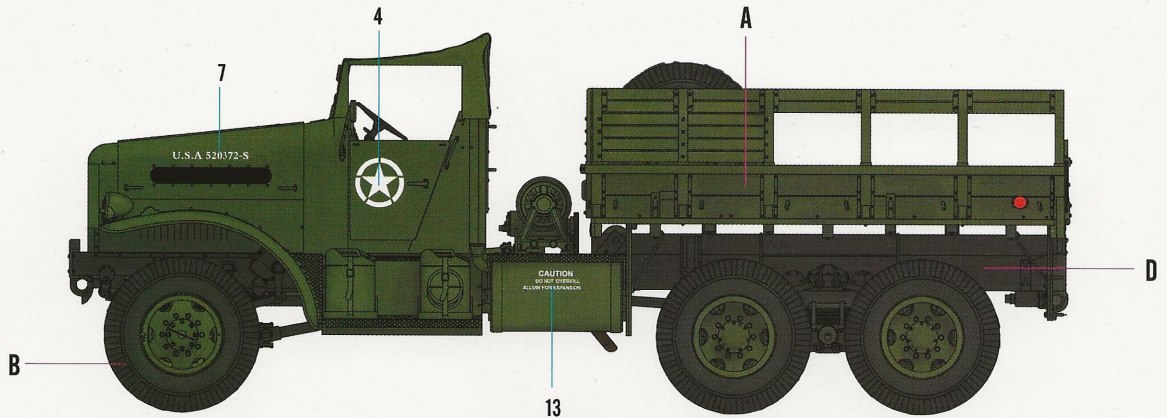
Decal 15
贴纸

车头
Cab



12
STEP





Color	Mr.Hobby	Vallejo	Model Master	Tamiya	Humbrol	Color	Mr.Hobby	Vallejo	Model Master	Tamiya	Humbrol
A 橄欖色 Olive Drab	H 804 304	887	1711	XF62	155	C 銀色 Silver	H 8 8	997	1546	X11	11
B 胎黑色 Tire Black	H 77 137	--	--	--	--	D 黑鉄色 Metal Black	H 161 28	864	1402	--	--