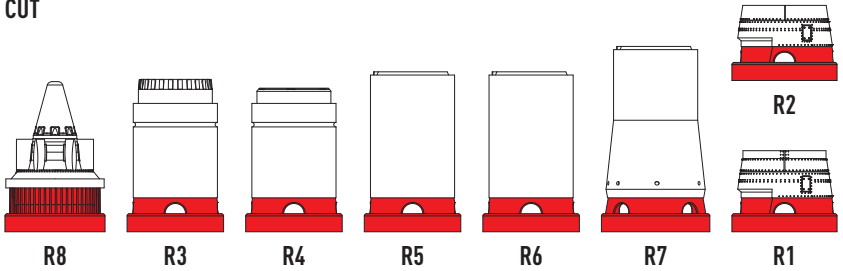
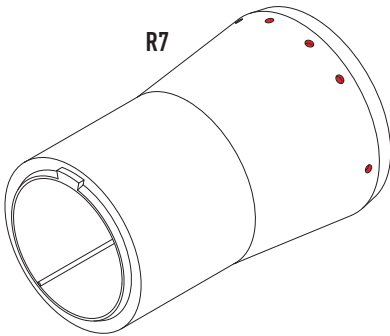


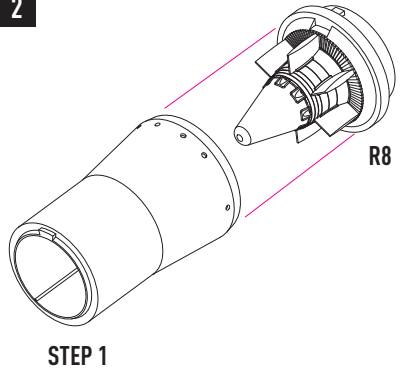
### CUT



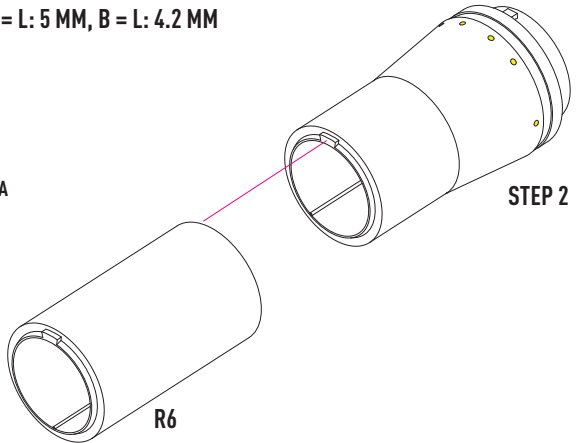
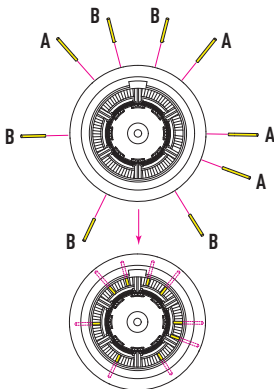
### 1 DRILL THROUGH HOLES D: 0.5 MM



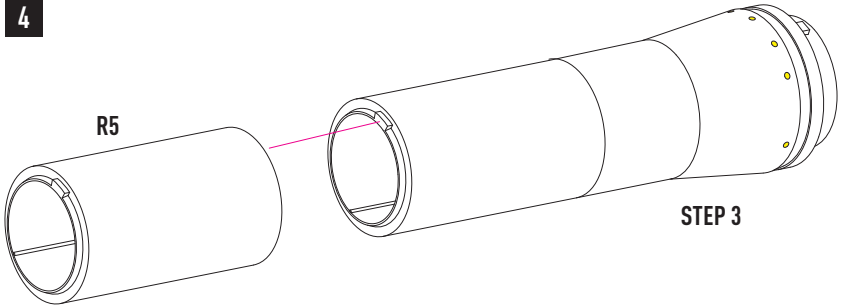
### 2



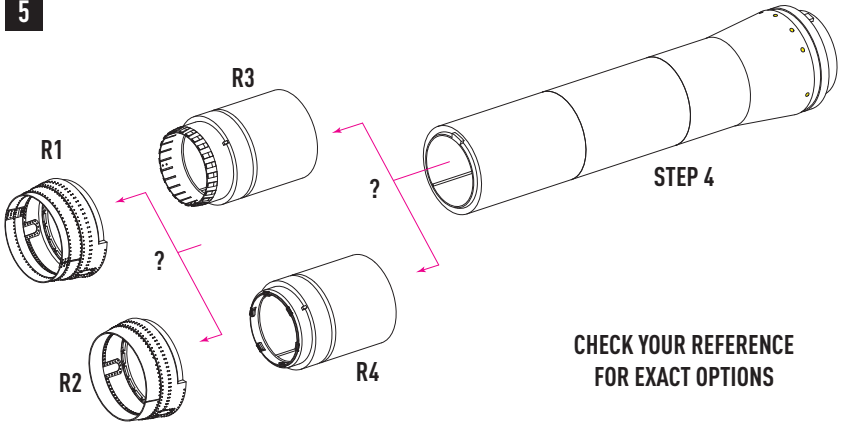
### 3 USE WIRE D: 0.5 MM, A = L: 5 MM, B = L: 4.2 MM



**4**



**5**



**CHECK YOUR REFERENCE  
FOR EXACT OPTIONS**

**6** IN STEP 4 OF THE ORIGINAL INSTRUCTIONS,  
INSTALL INSTEAD OF PARTS G11, G27, G28

