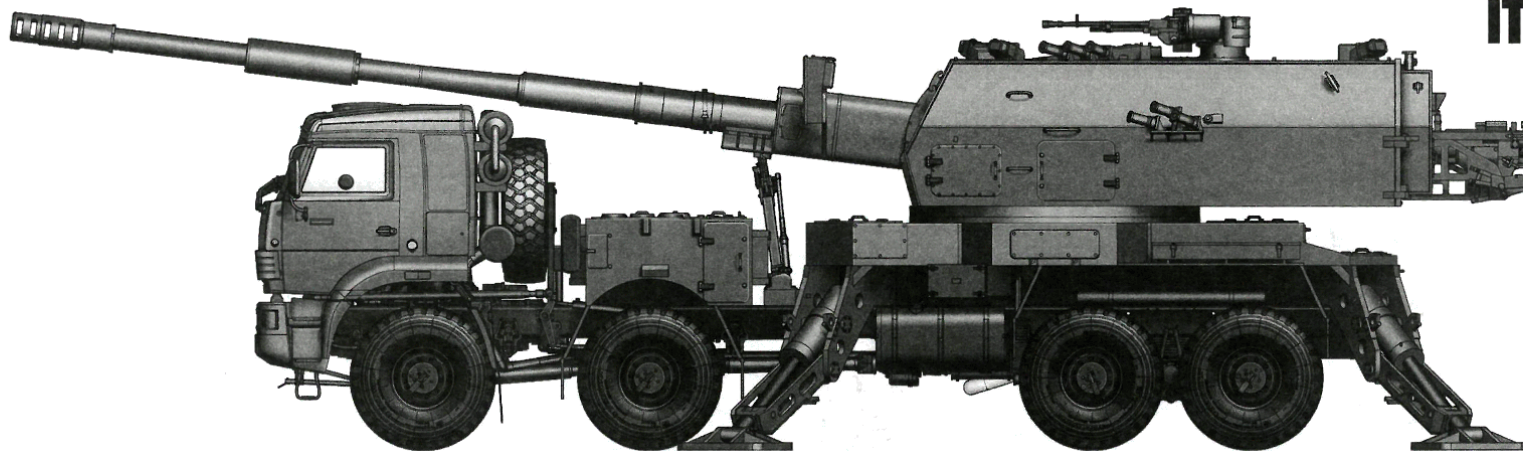


1/35 SCALE

ITEM NO.:01085



Russian 2S35-1 Koalitsiya-SV KSh

俄罗斯2S35-1联盟-SV KSh车载榴弹炮

WSM

READ BEFORE ASSEMBLY:

- This kit is not recommended for inexperienced modelers or for children under 14 years of age
- Study and understand these instructions thoroughly before beginning assembly
- When needed, remove photo-etch parts carefully using a modeling knife or photo etch sprue cutter, being careful not to damage or lose small parts.
- Take extra care in handling photo etch parts in order to avoid injury
- Apply instant cement sparingly to photo etch parts where instructed

- Tools recommended(not included in kit):Plastic and instant cements,sprue cutters,long nose pliers,modeling knife, small files, tweezers, pin vise & scissors. Soft cloth and sandpaper will also assist in construction
- Glue and paint are not included in the kit. Use plastic cement and hobby paints only. Color guide for purchasing paint is included in the kit.
- Keep out of reach of children. They must not be allowed to ingest small parts or handle plastic bags in any way.

* 说明书中含有重要信息，应保留。 Please Keep instruction since it contains important information.

装配之前仔细阅读

- 小心用模型锉刀锉平所有零件表面的注射浇口。
- 小心用刀片切下蚀刻片零件，不要遗失小零件。
- 用强力快干胶水粘合蚀刻片零件和金属轴。过量的快干胶水使用可能导致可动零件会粘住，小心涂胶。
- 取蚀刻片时应特别注意安全，防止利边划伤手指。
- 某些零件表面需贴水上贴纸，请选择在装配的同时进行。
- 推荐模型工具(自备)：胶水，水口剪刀，长咀钳，刀片，锉刀，镊子钳，钻，剪刀，瞬间快干胶。
- 软布同砂纸同时也是所需工具。
- 请使用塑料胶水和油漆，模型内不含。
- 谨防小孩吸吮塑料零件，或者将塑料袋套在头上，制作时应将套材远离小孩接触。
- 本产品不适合14岁以下没有经验的模型爱好者。

水贴纸的使用:

1. 从水贴上剪下印花;
2. 将印花放入温水中浸10秒，然后放在干净布上。
3. 拿着印花纸板将印花移到模型上;
4. 手指蘸水将印花移到适当的位置;
5. 用软布轻压印花直至水干，气泡消失。

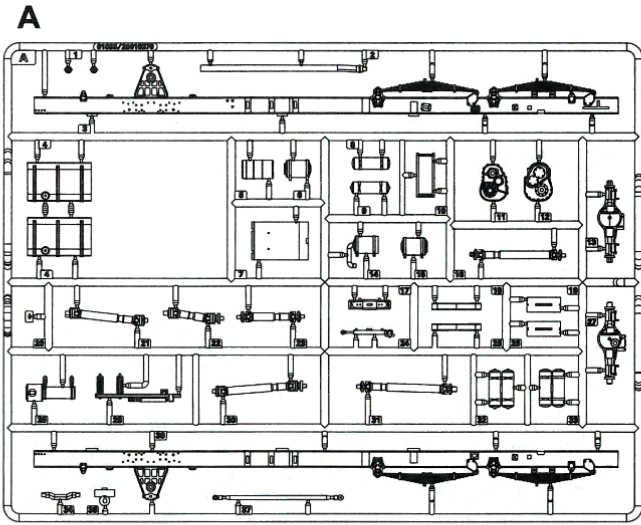
DECAL APPLICATION:

1. Cut decals from sheet as needed
2. Dip the decal in warm water for about 10 seconds and then place on soft clean cloth.
3. Hold the decal backing sheet edge and gently slide the decal onto the model in its proper position.

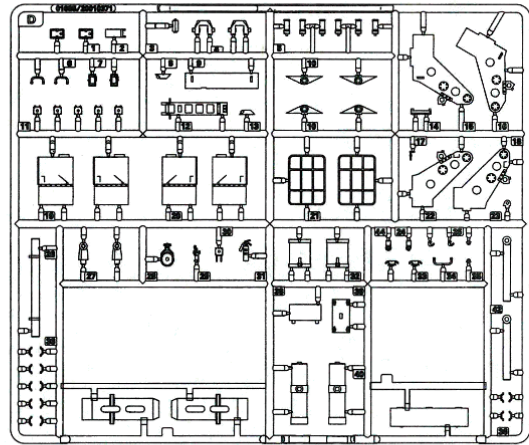
4. While still wet, decal can be adjusted for better fit on model by dampening it gently with your finger.
5. When placed in the proper position, gently press decal down with a soft cloth until excess water and air bubbles are gone.
6. Allow decal to dry completely before handling model



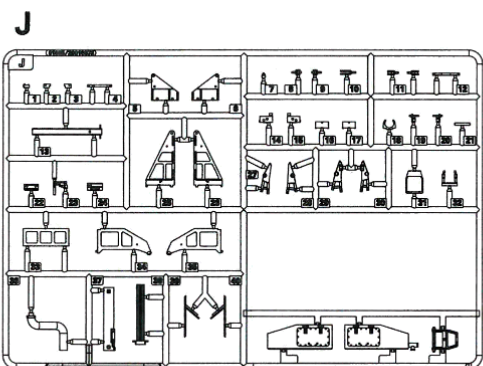
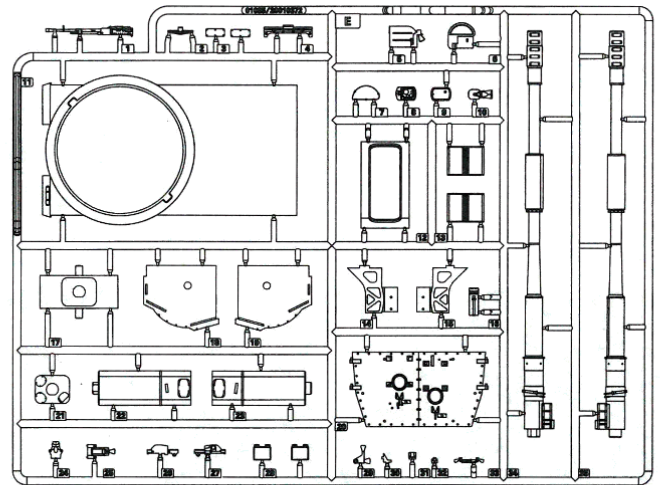
部品图
Parts



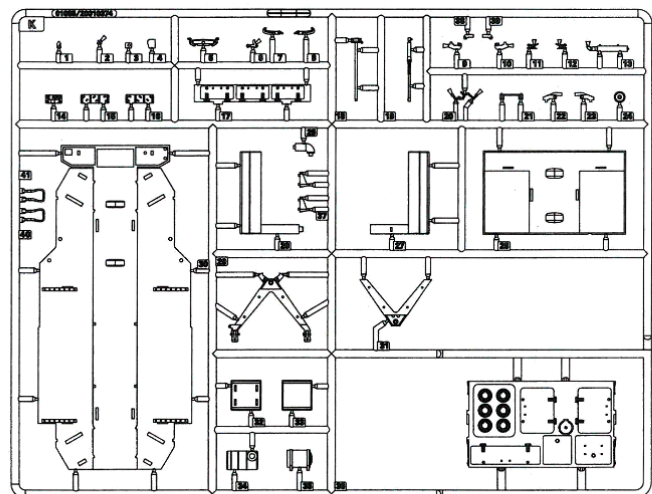
Dx2



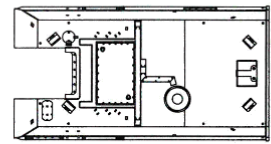
E



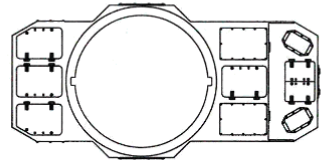
K



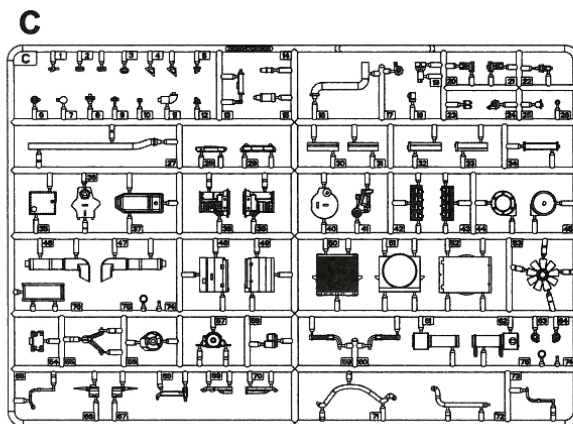
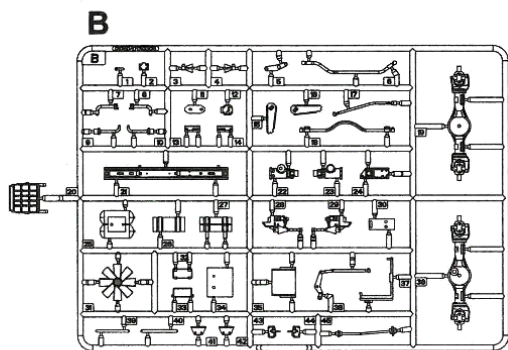
M1



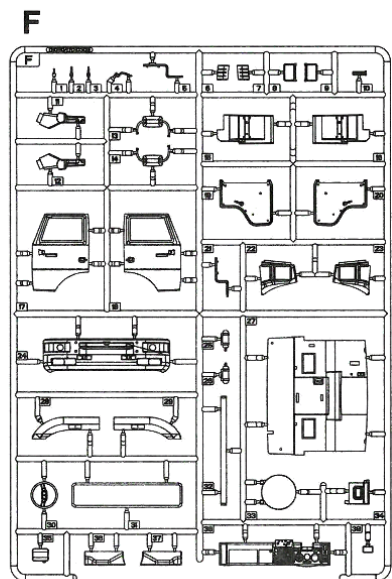
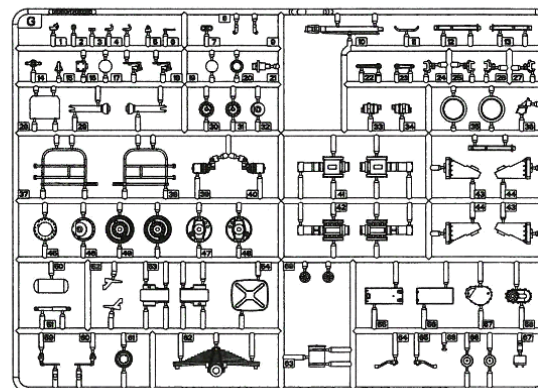
M2



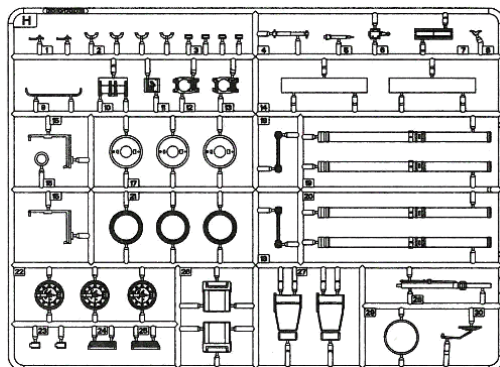
部品图 Parts



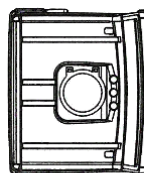
Gx2



Hx3



F40



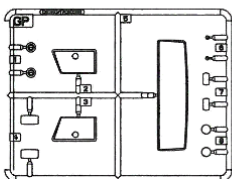
《轮胎》x9
Tyre x9



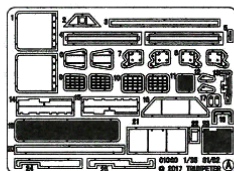
不用的部件:
Unused parts

- B11、B12、B13、B14、B15、B16、B20、B21、
B25、B26、B31、B32、B33、B34、B35、B37
C11、C16、C27、C44、C45、C46、C47、C52、C62、C76
G3、G7、G10、G11、G12、G13、G17、G18、G21、G28、
G29、G33、G34、G35、G36、G37、G38、G41、G42、
G43、G44G50、G52、G53、G55、G56、G63
H1、H2、H3、H5、H6、H9、H10、H11、H12、
H13、H14、H16、H19、H20、H28、H29

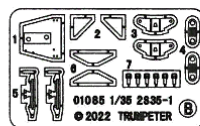
GP



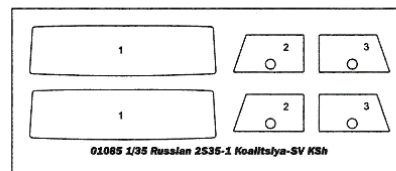
《蚀刻片》
PE-A



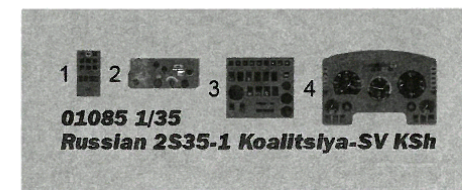
《蚀刻片》
PE-B



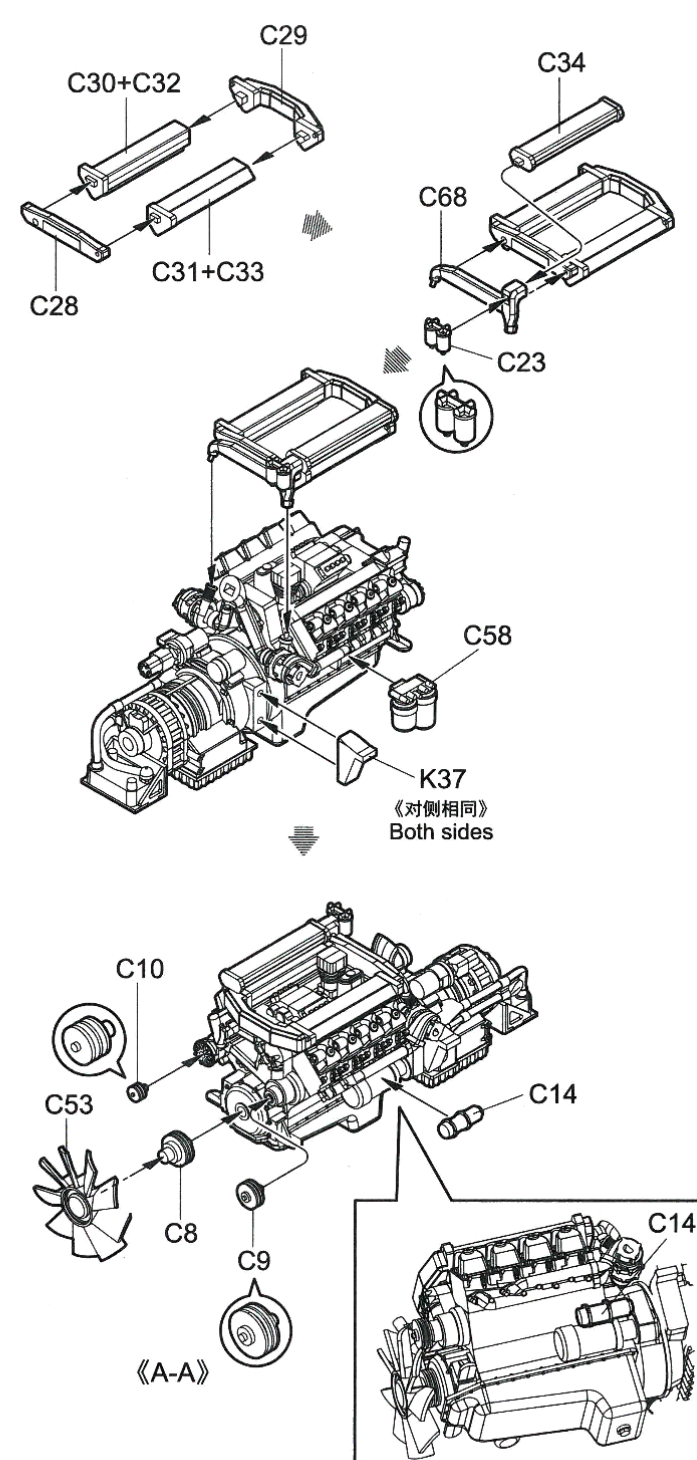
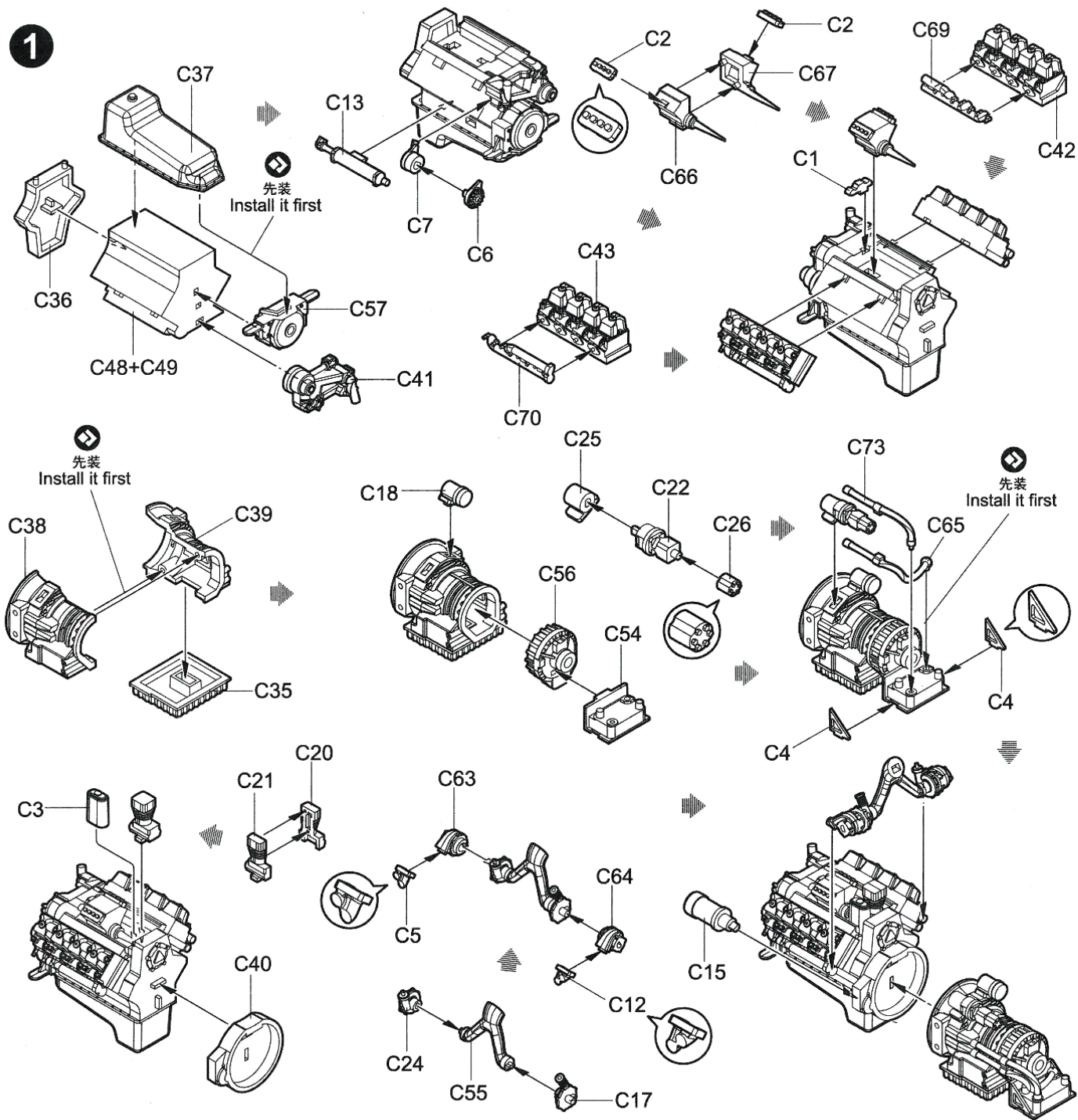
《遮盖纸》
Die-cut mask



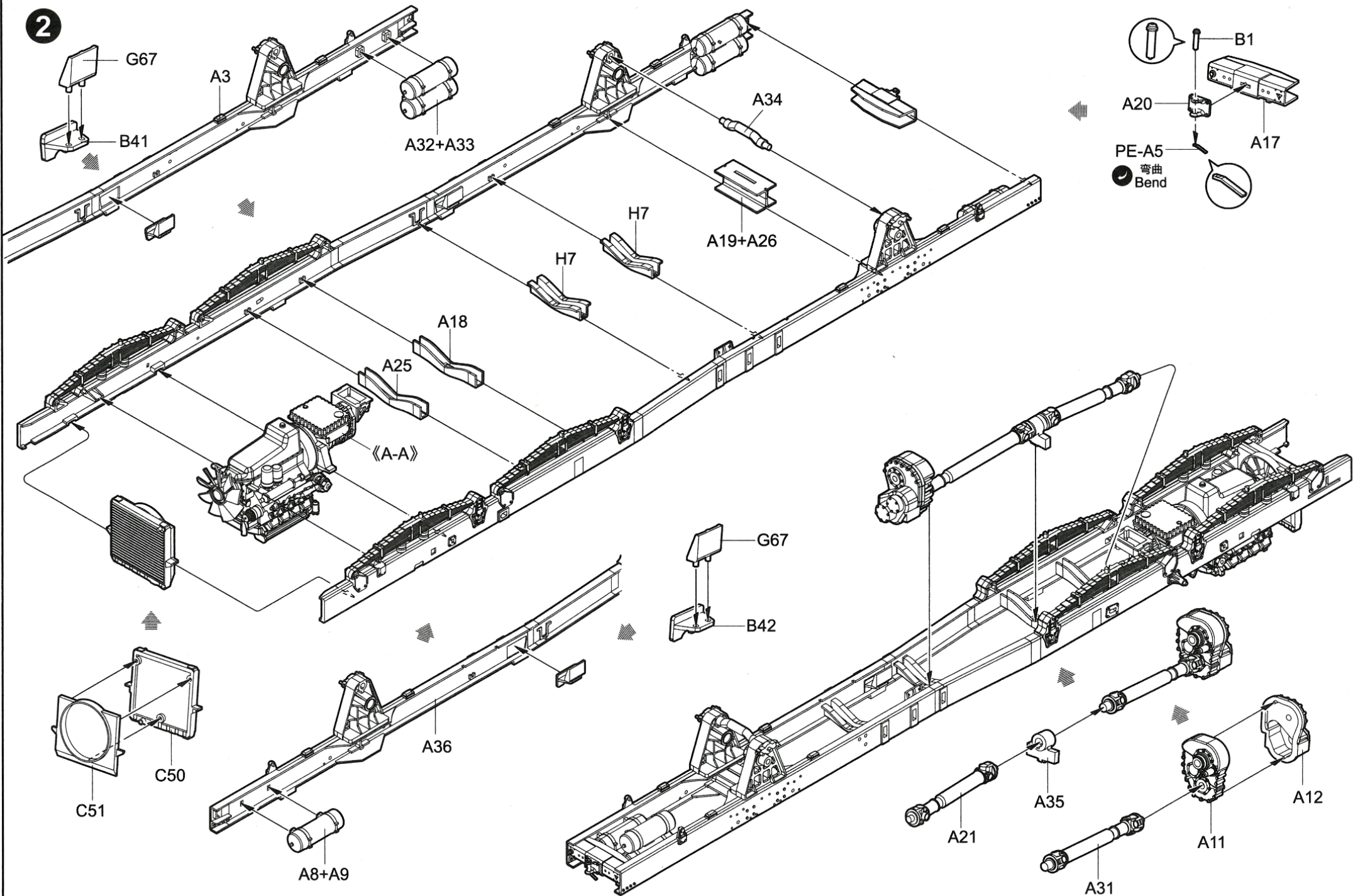
《水贴》
Decal



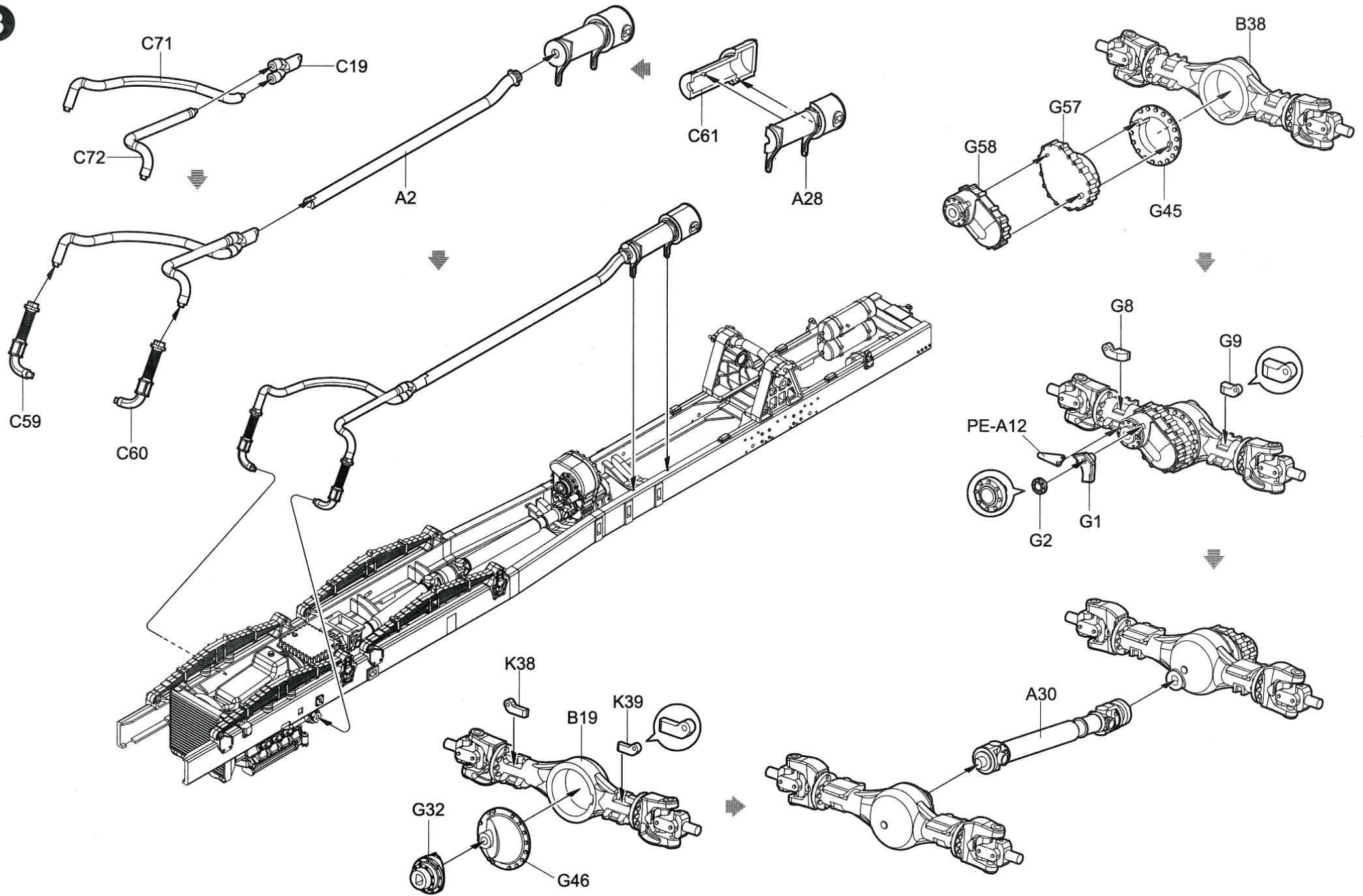
1



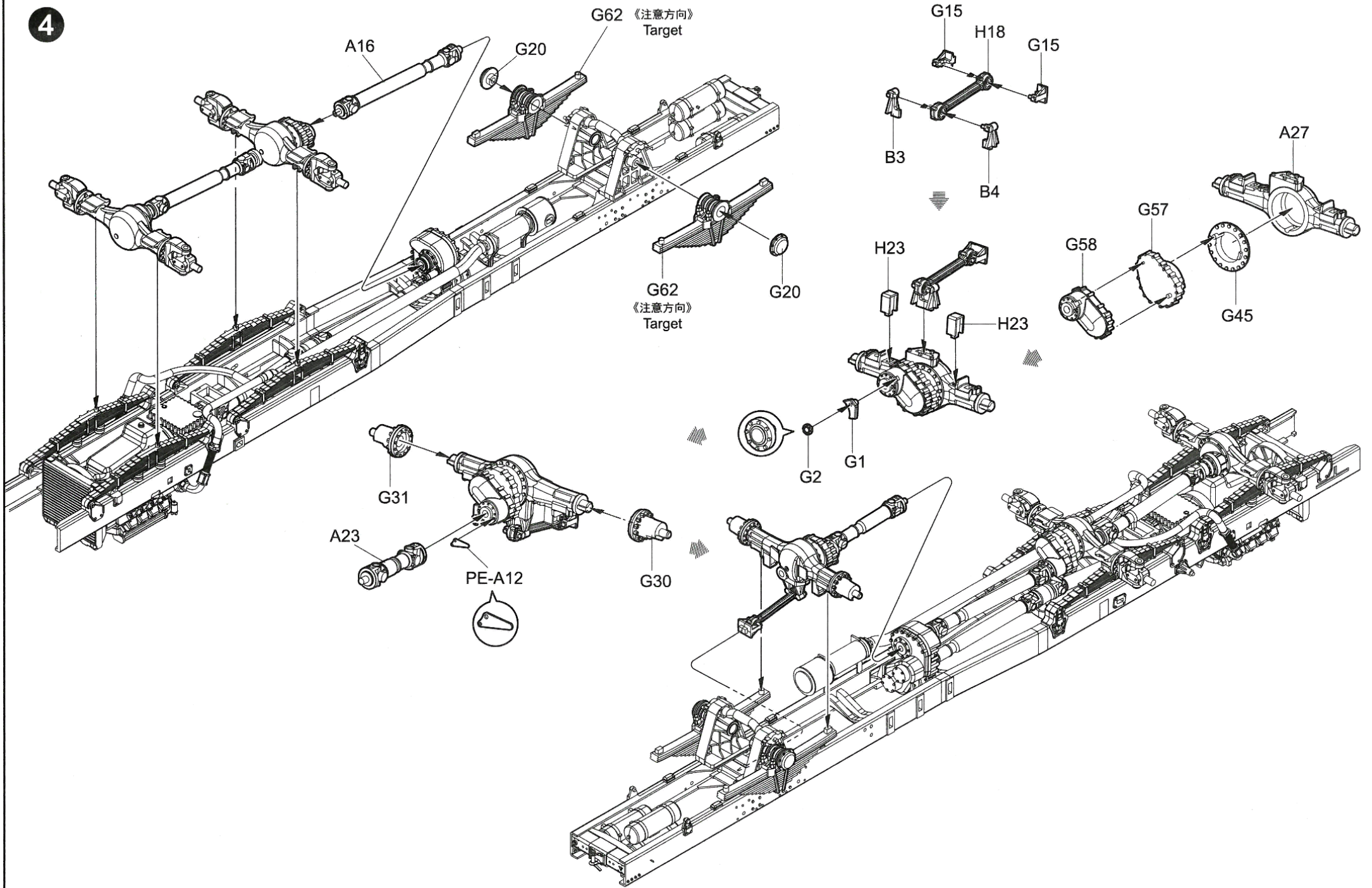
2



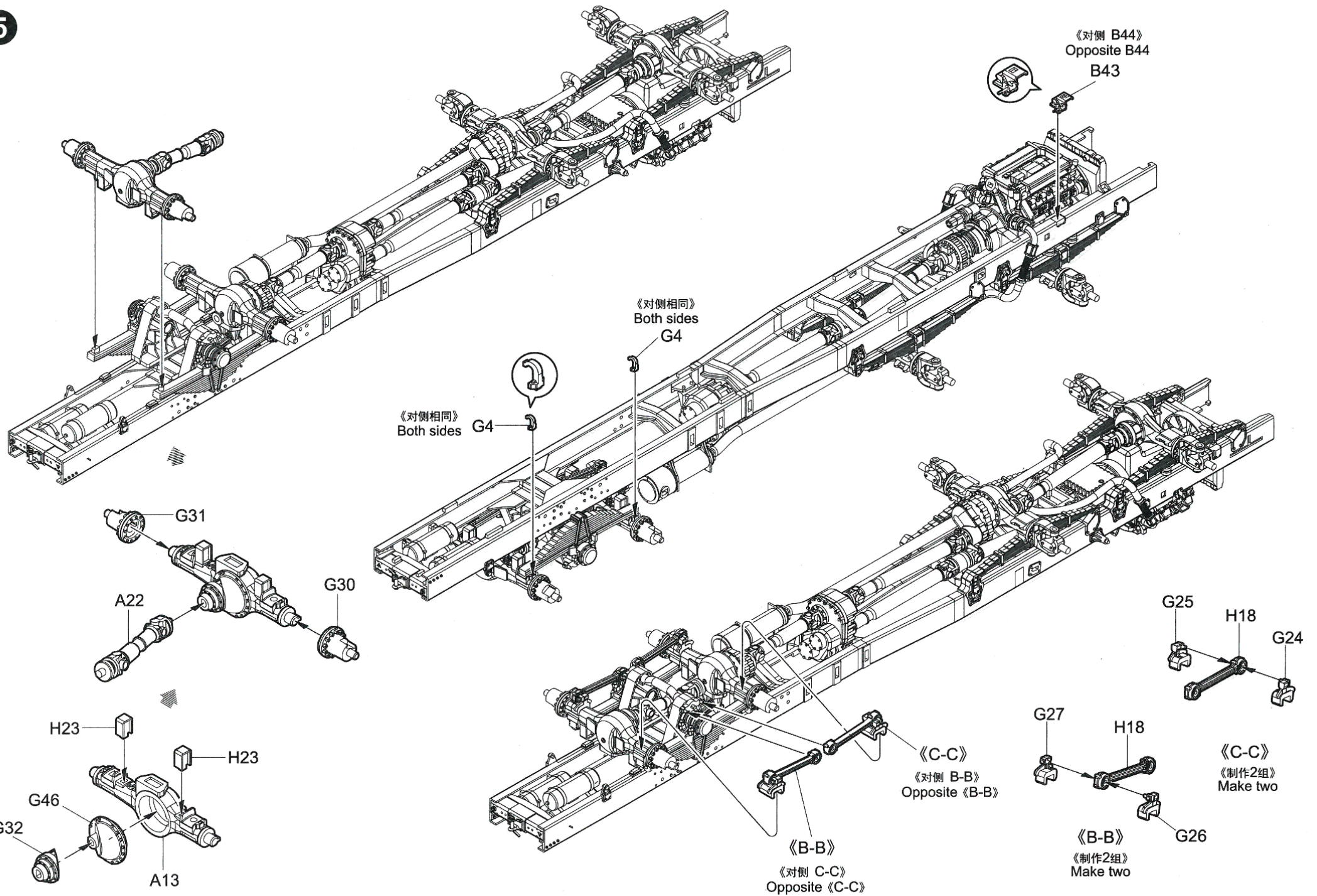
3



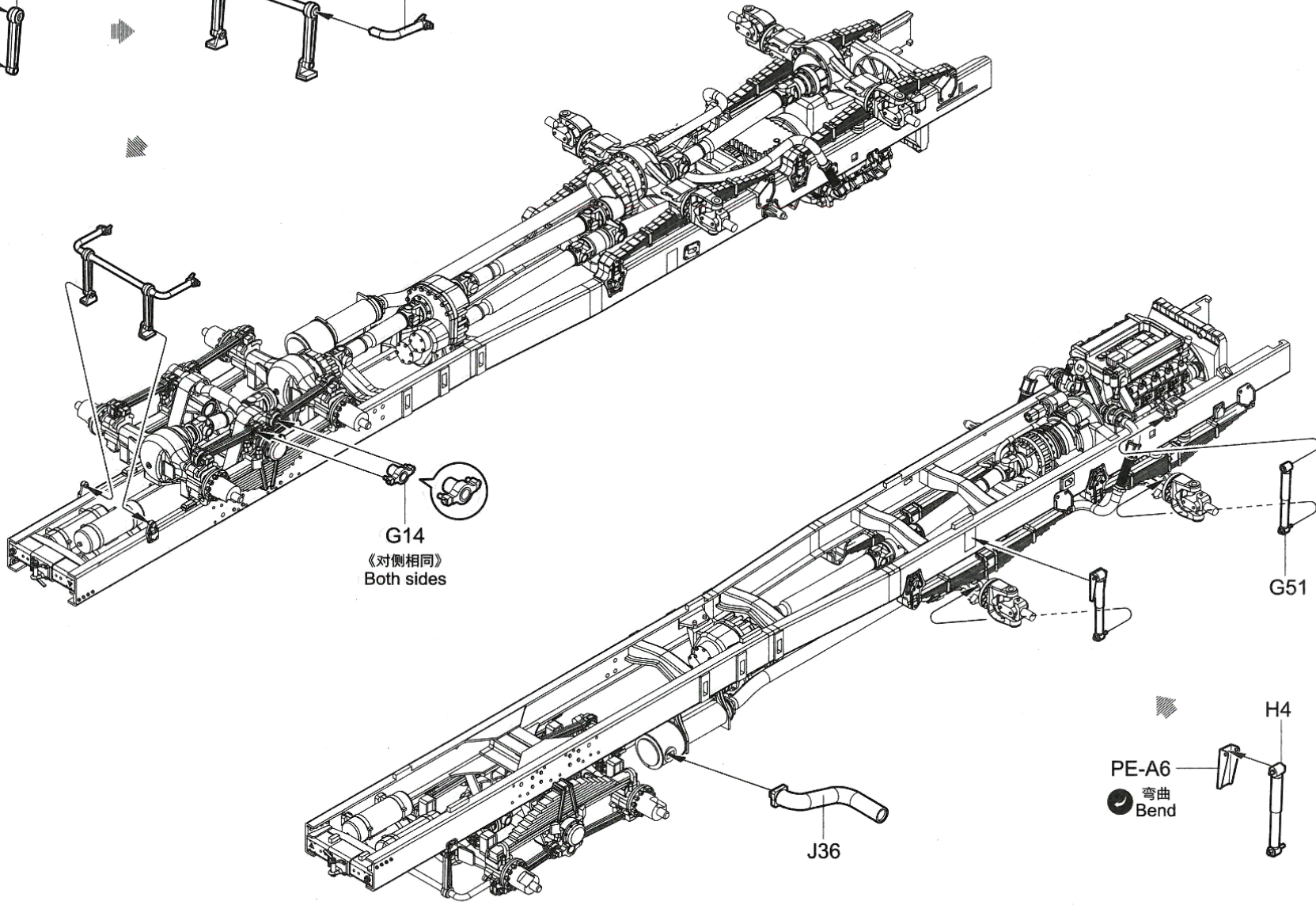
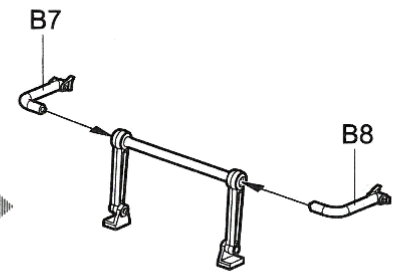
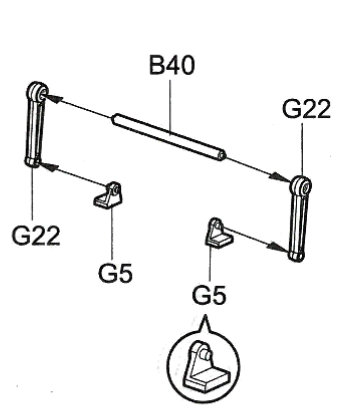
4



5



6



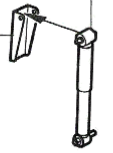
G14
《对侧相同》
Both sides

G51

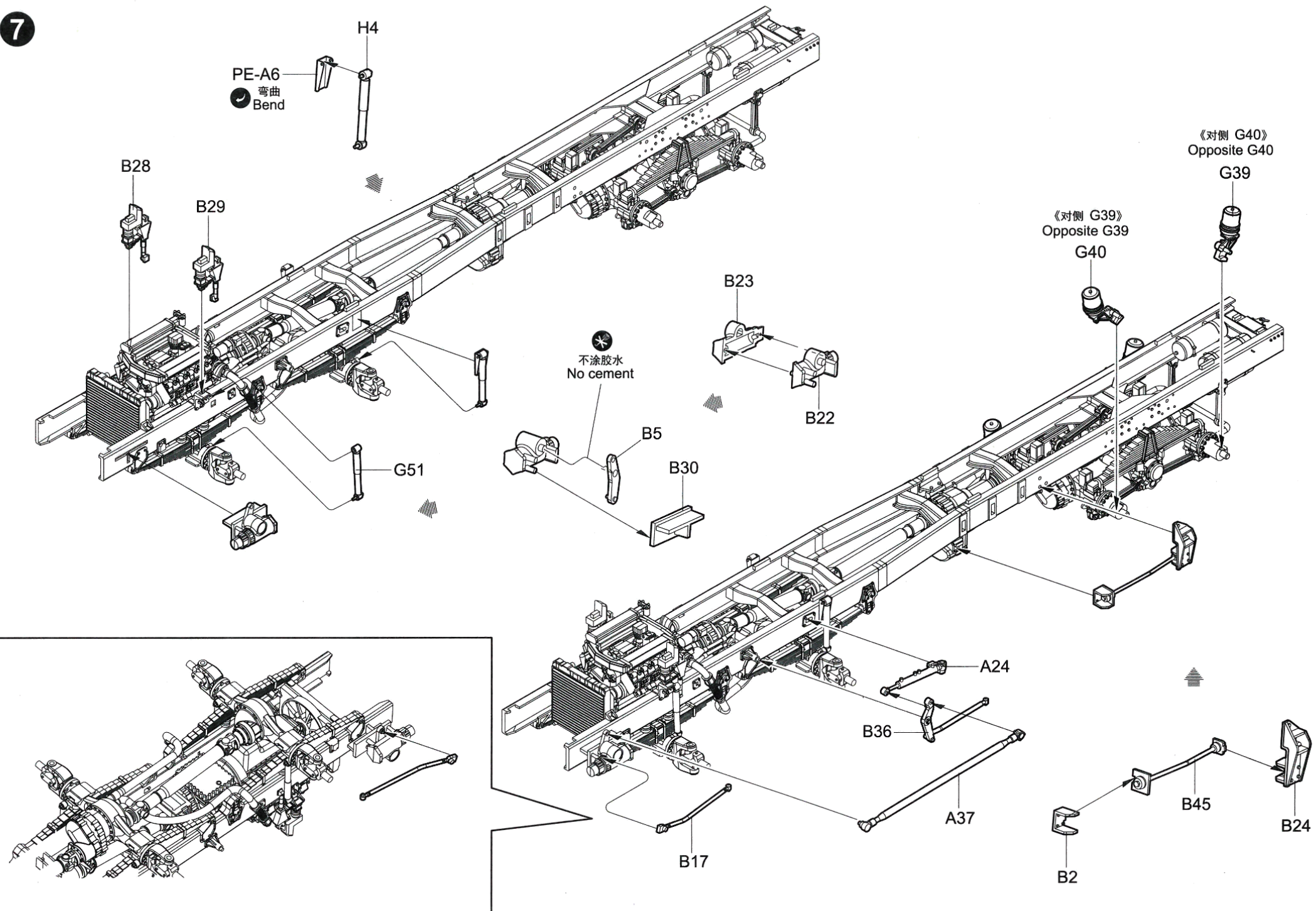
J36

H4

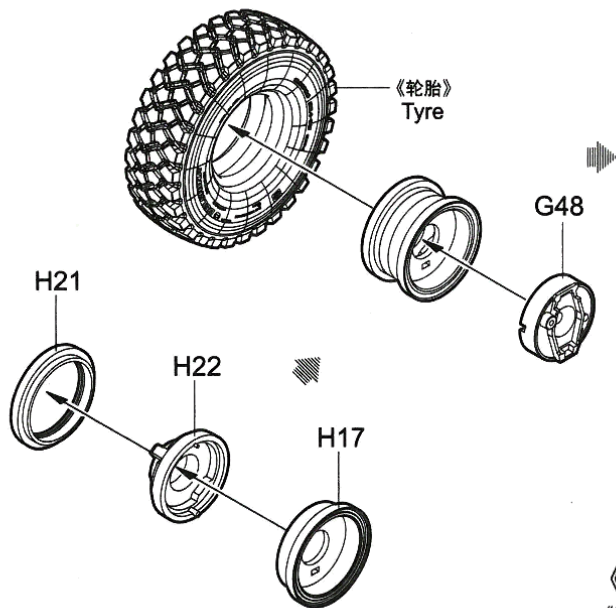
PE-A6
弯曲
Bend



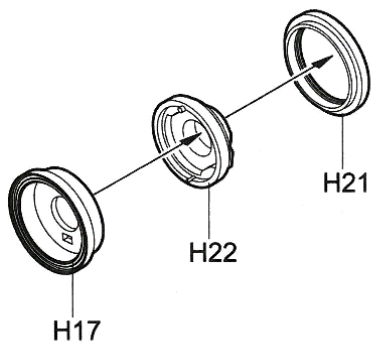
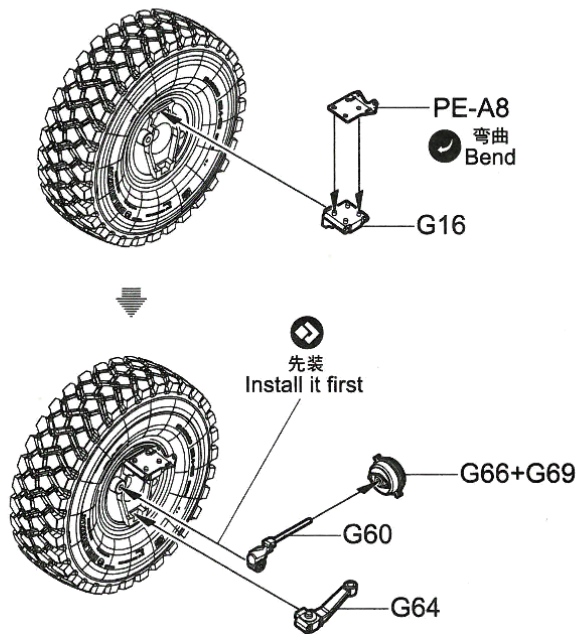
7



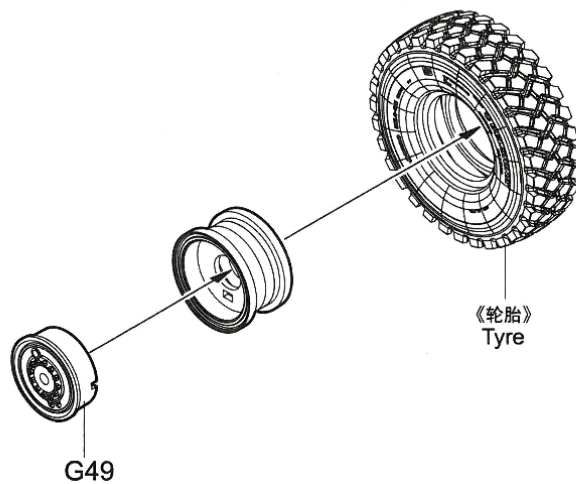
8



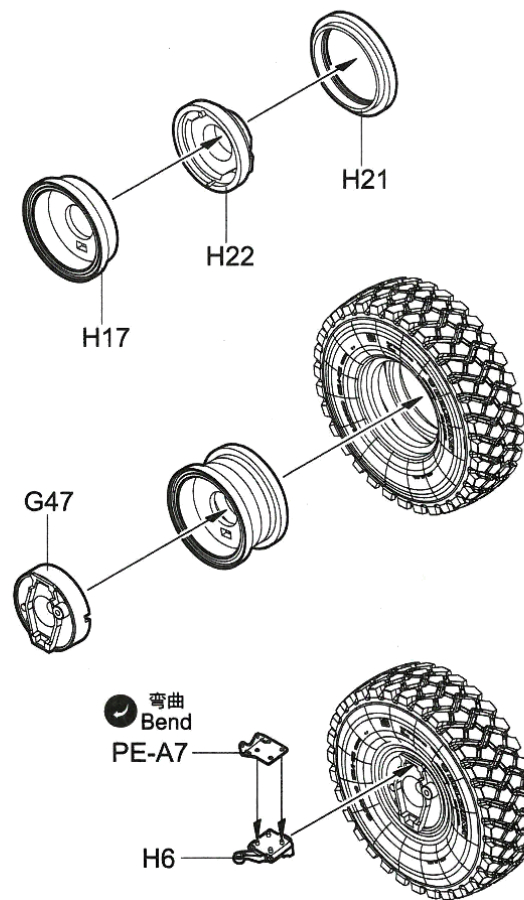
《D-D》
《制作2组》
Make two



《E-E》
《制作4组》
Make four



《F-F》
《制作2组》
Make two



弯曲
Bend
PE-A7

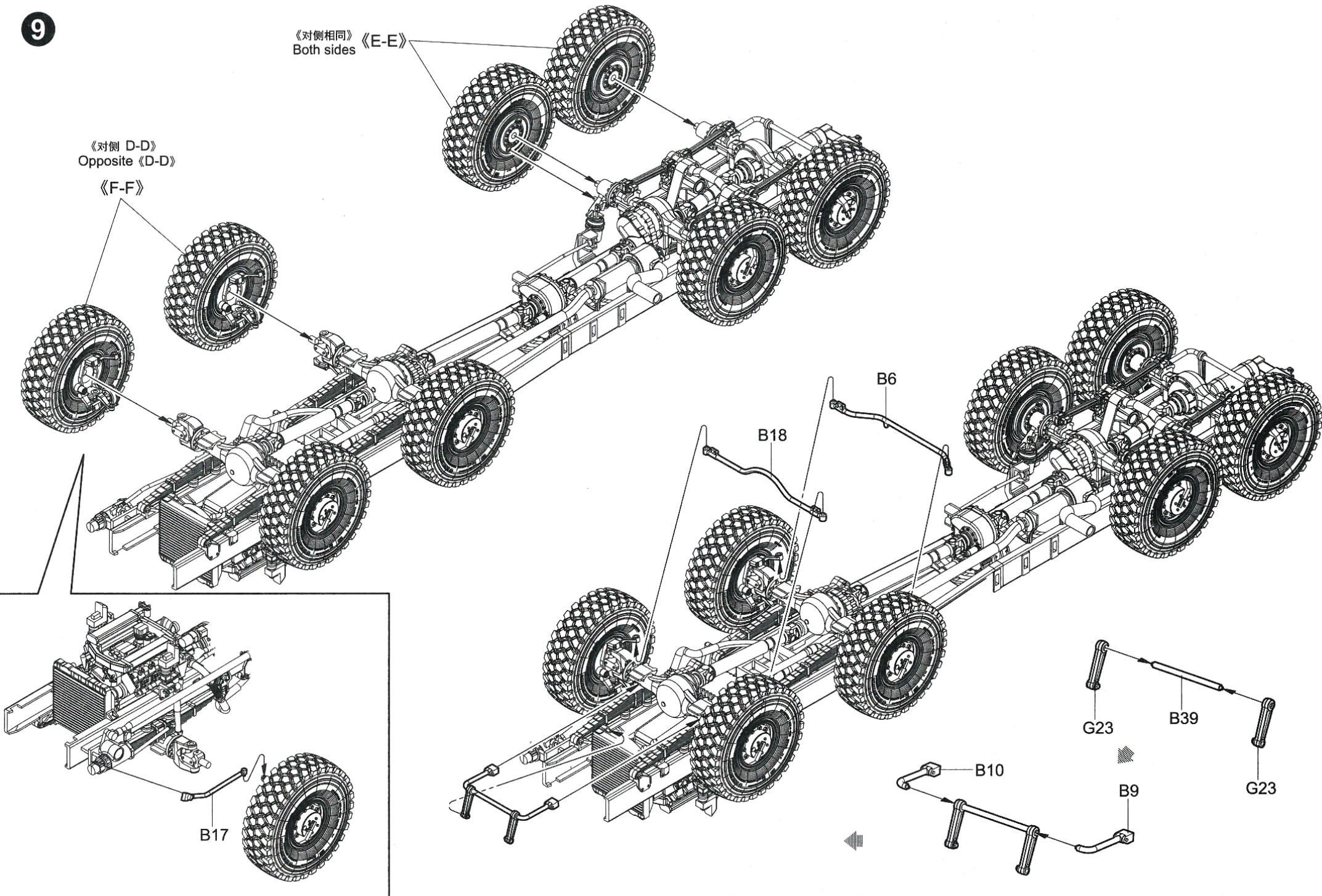
先装
Install it first

9

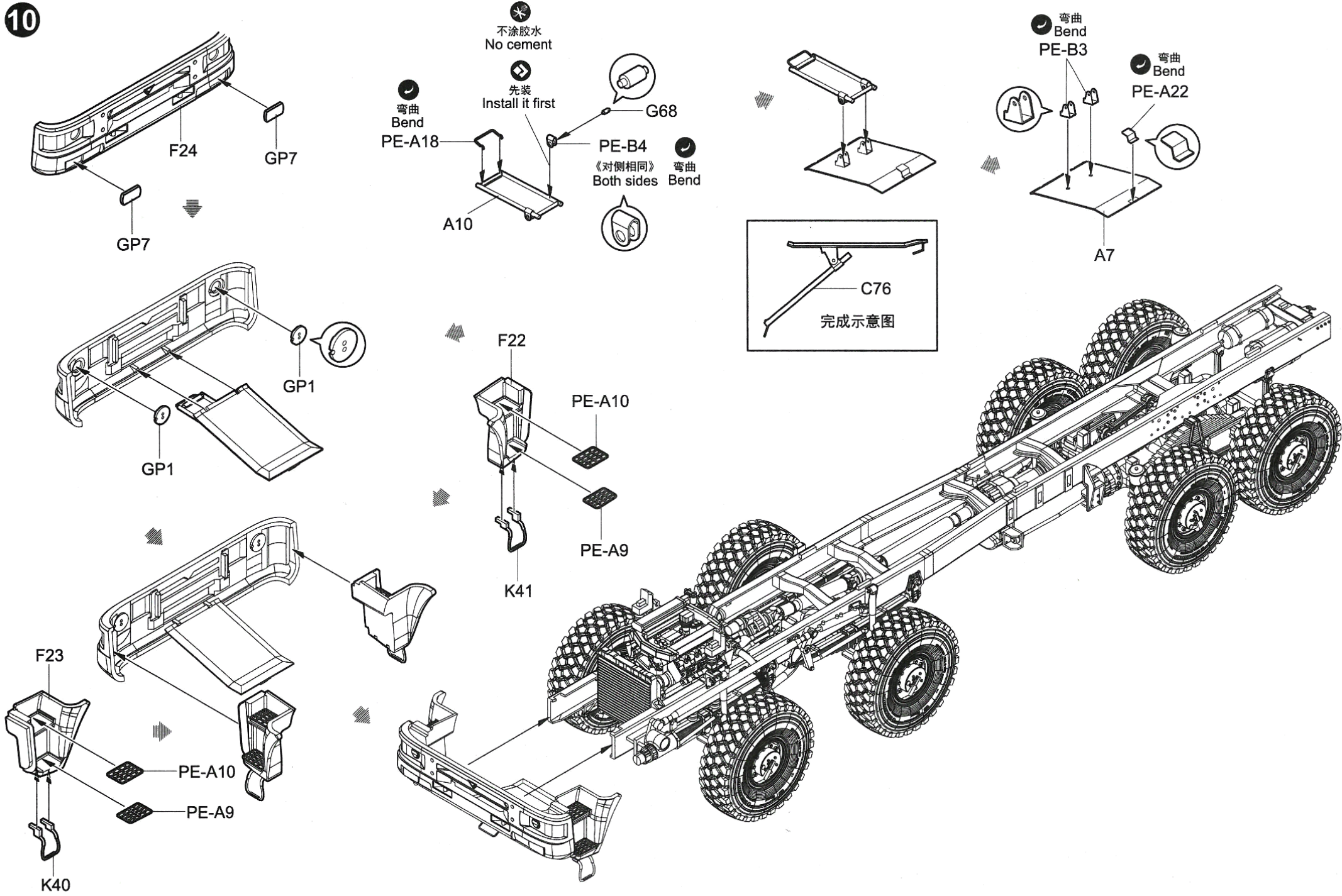
《对侧相同》《E-E》
Both sides

《对侧 D-D》
Opposite 《D-D》

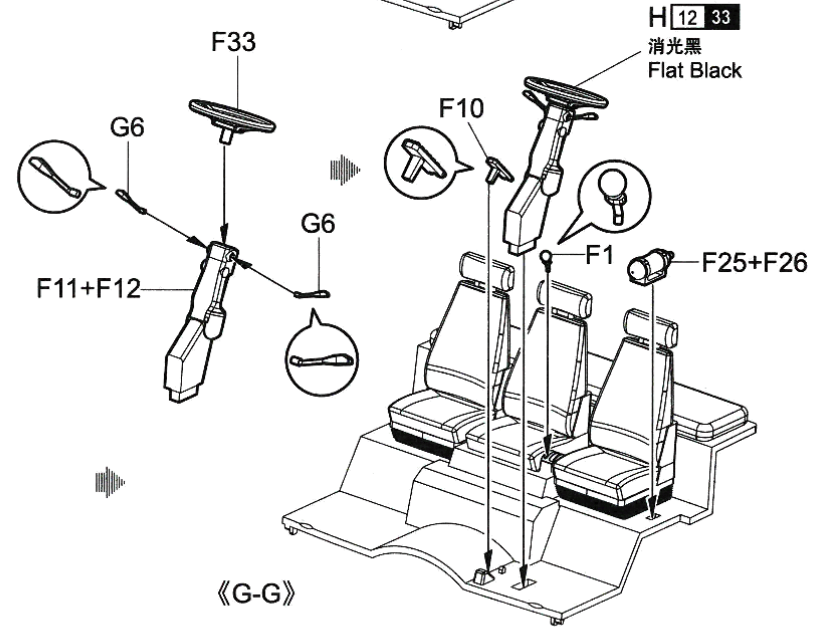
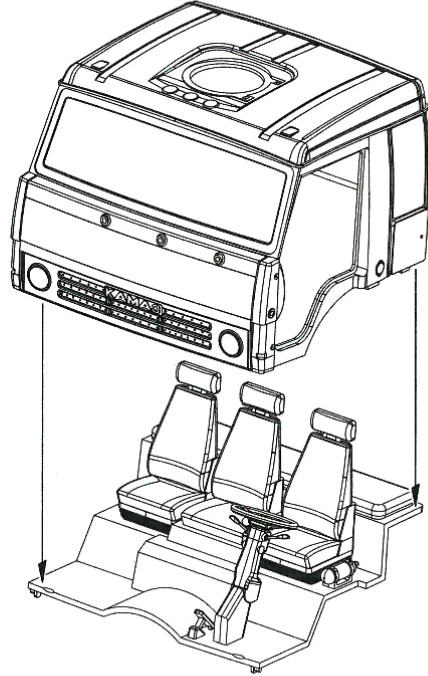
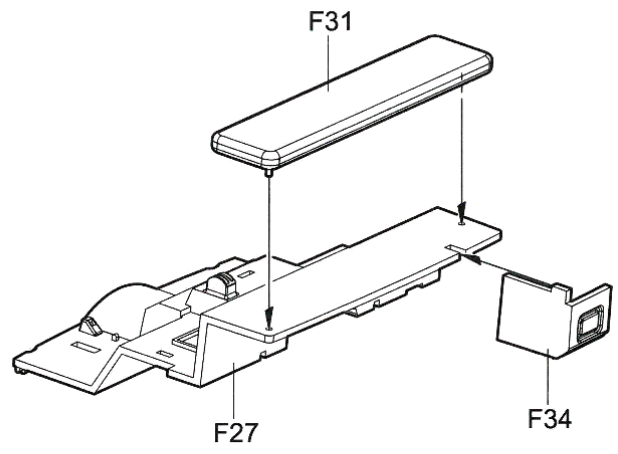
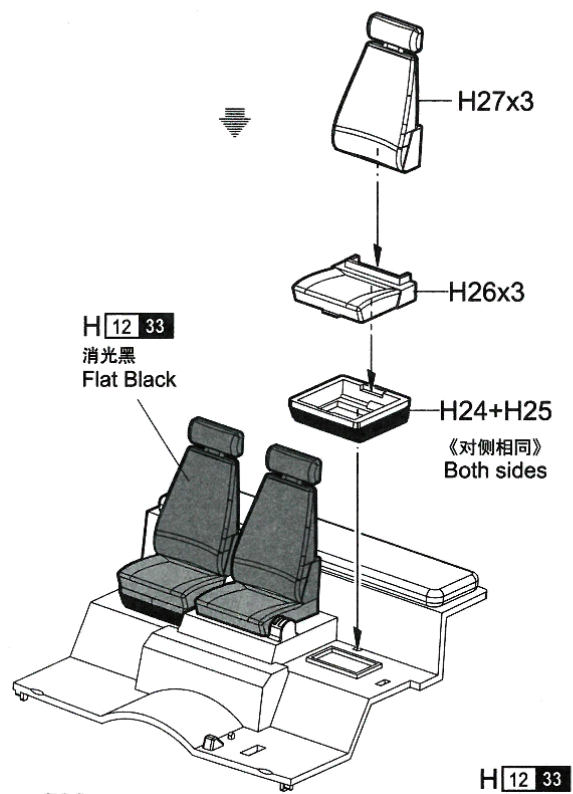
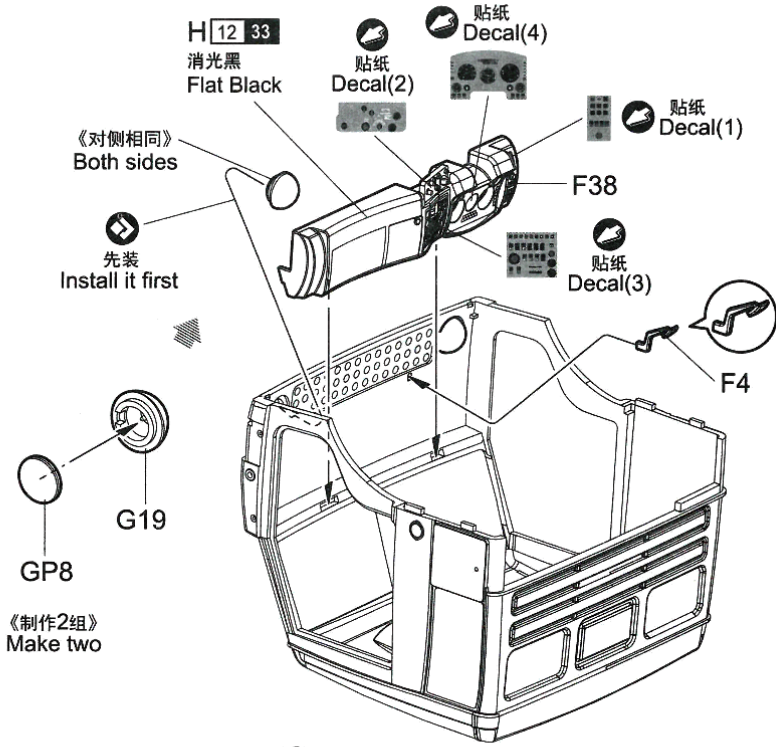
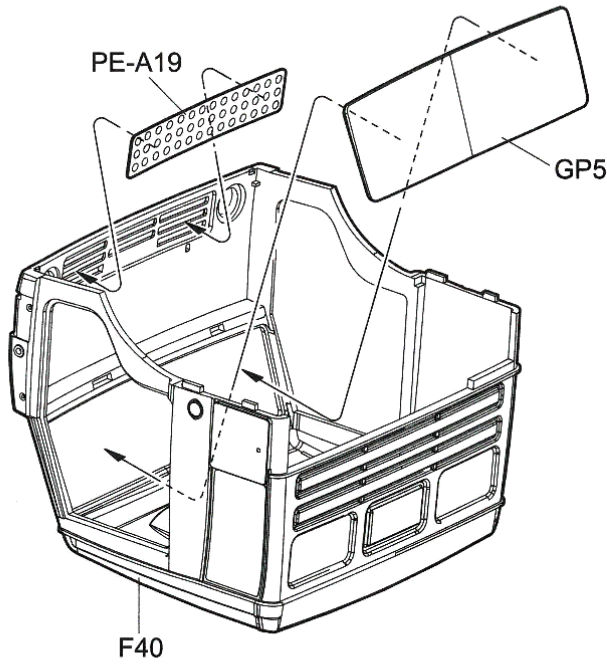
《F-F》



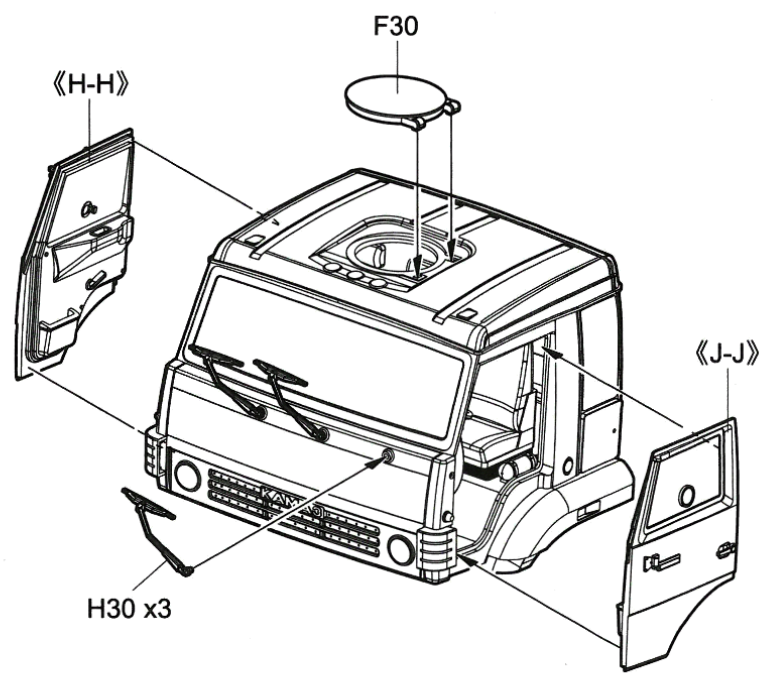
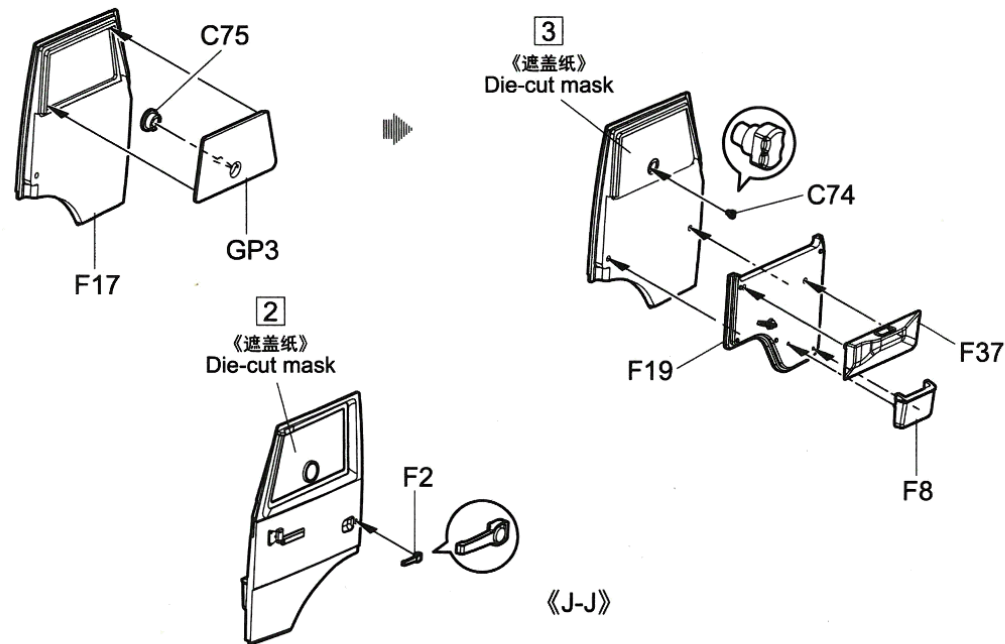
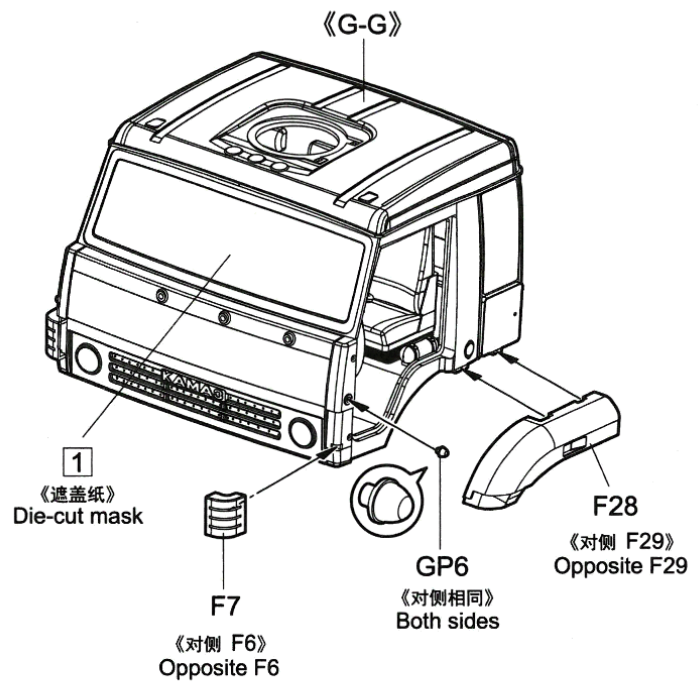
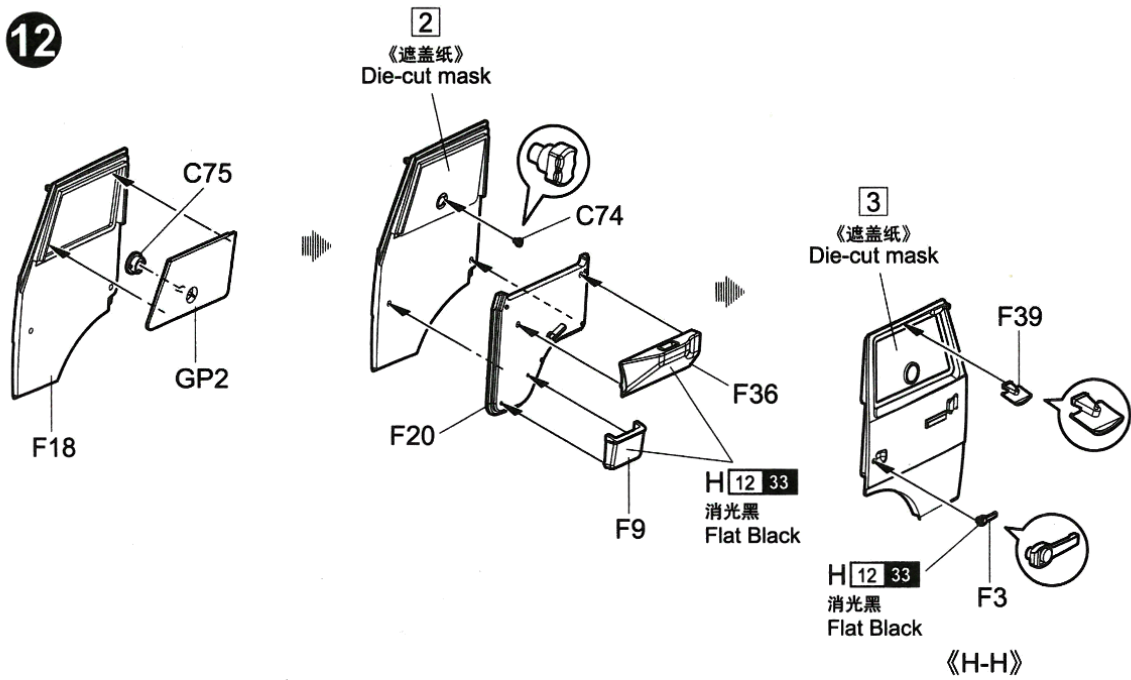
10



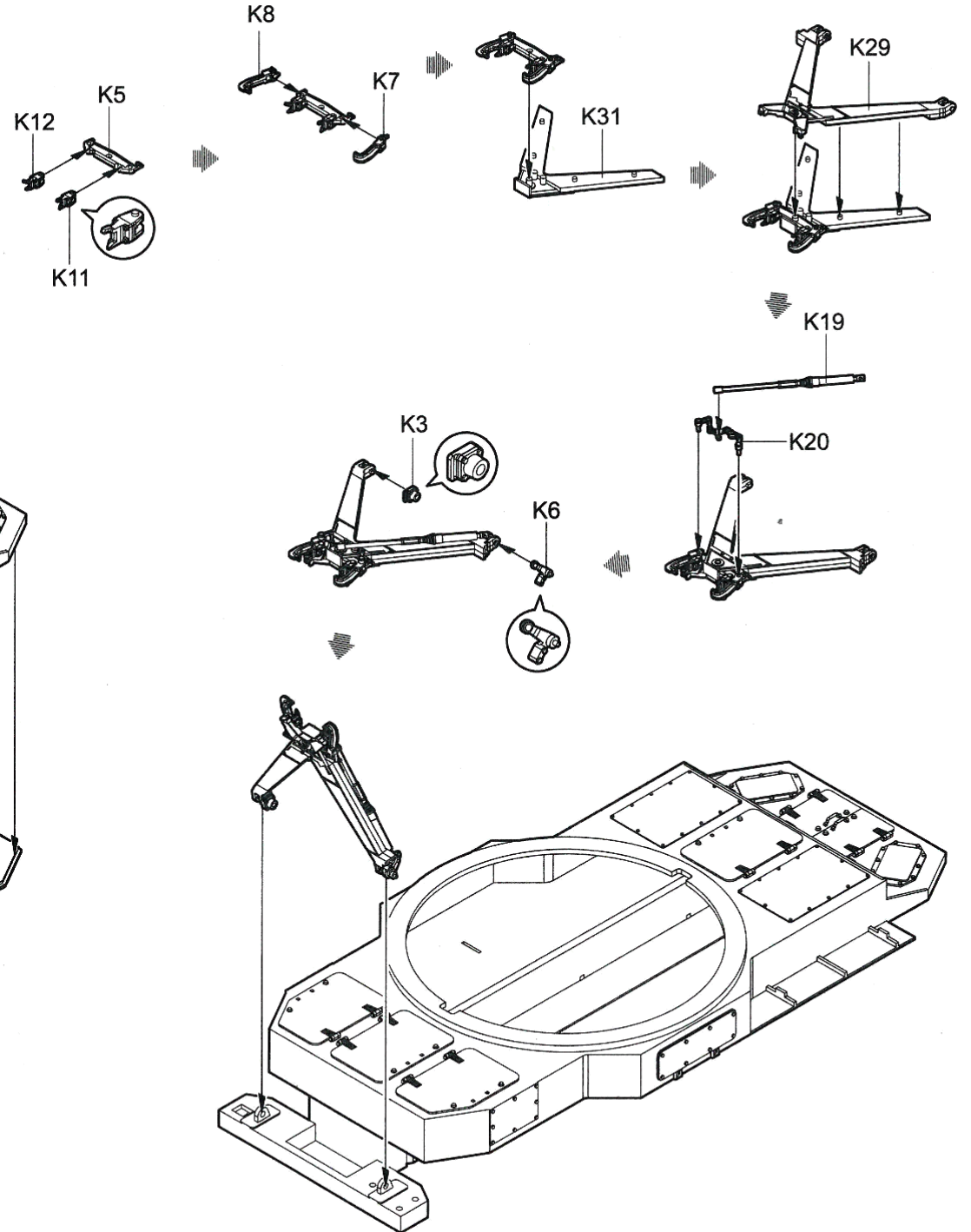
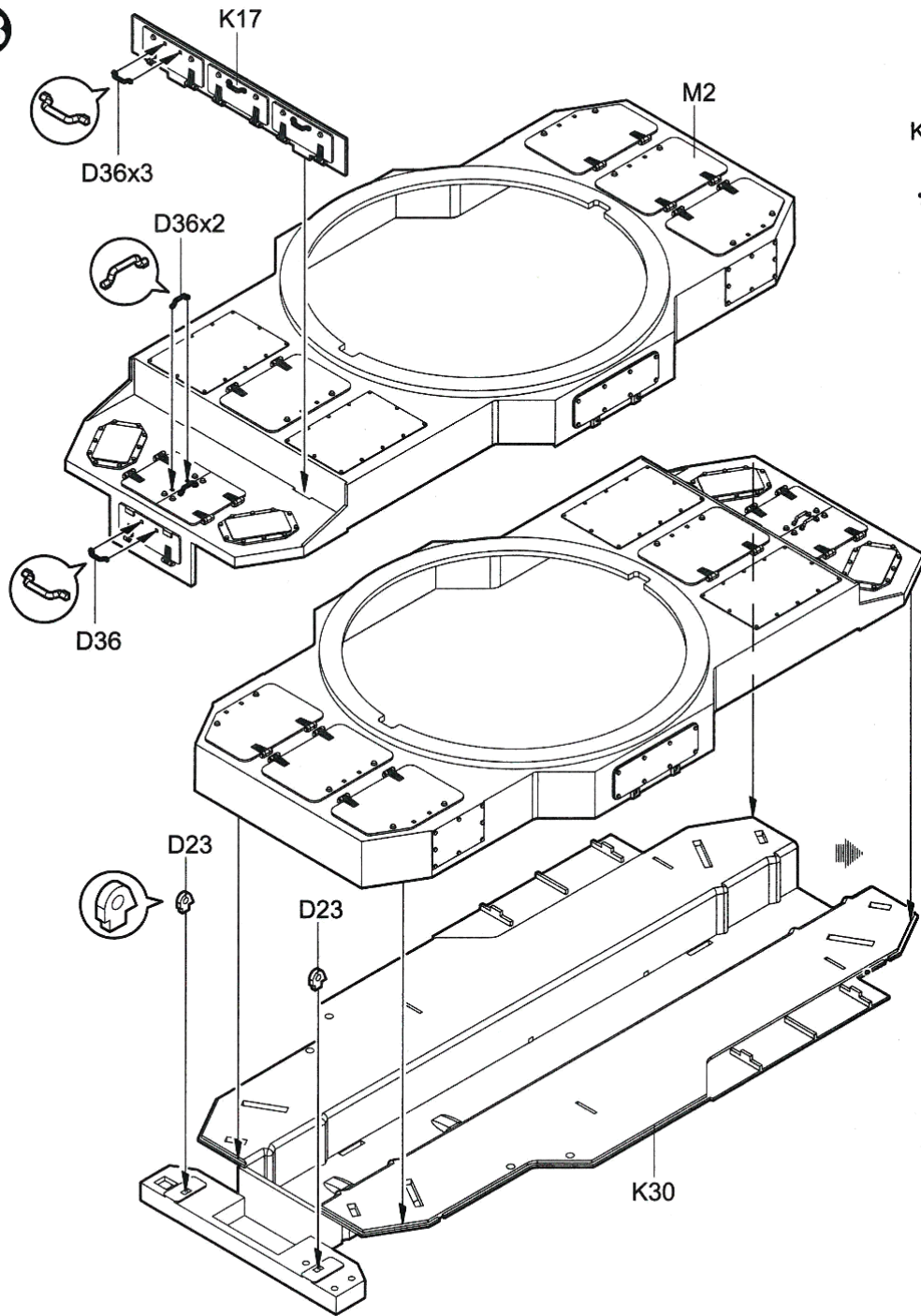
11



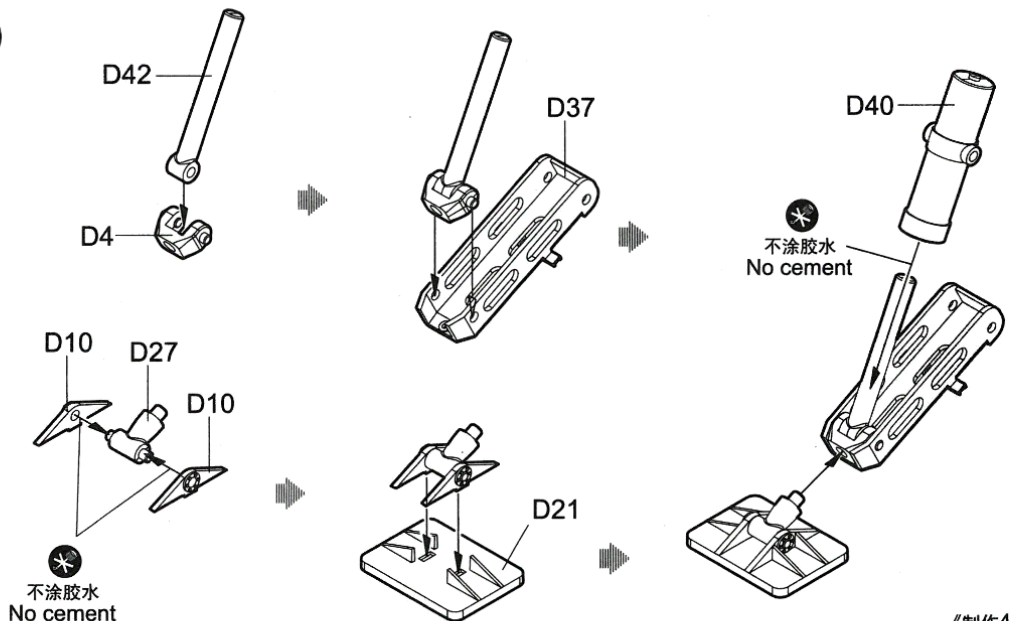
12



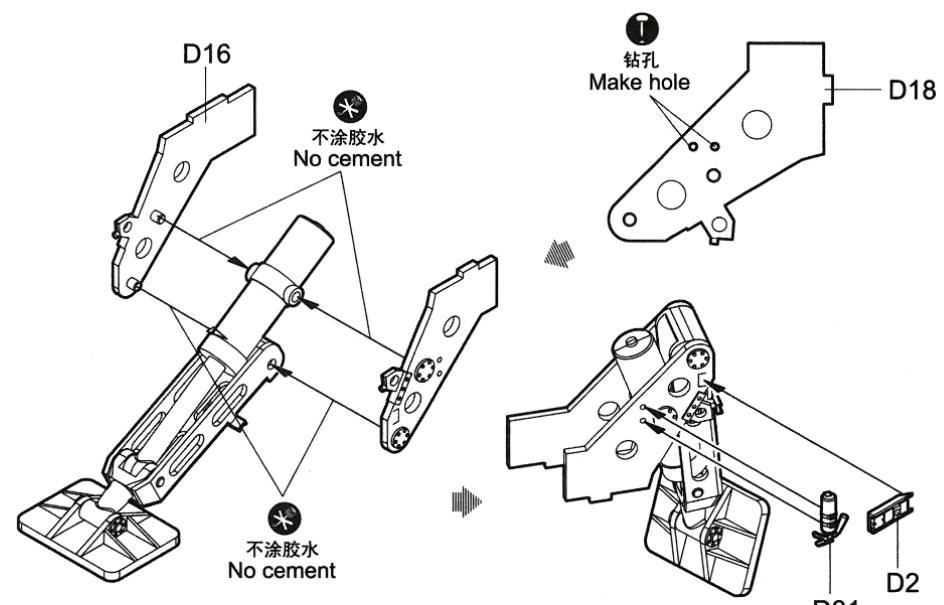
13



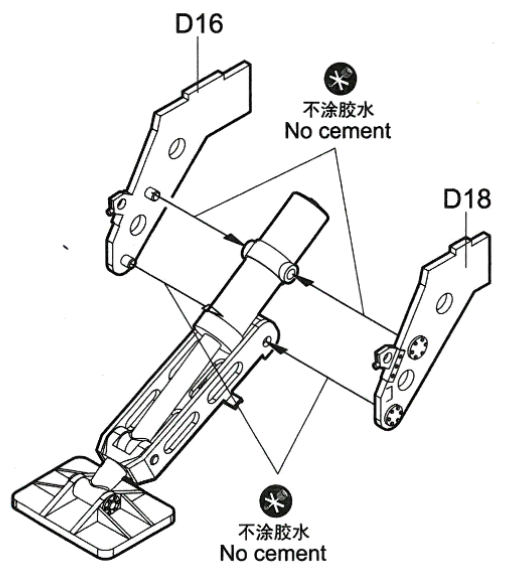
14



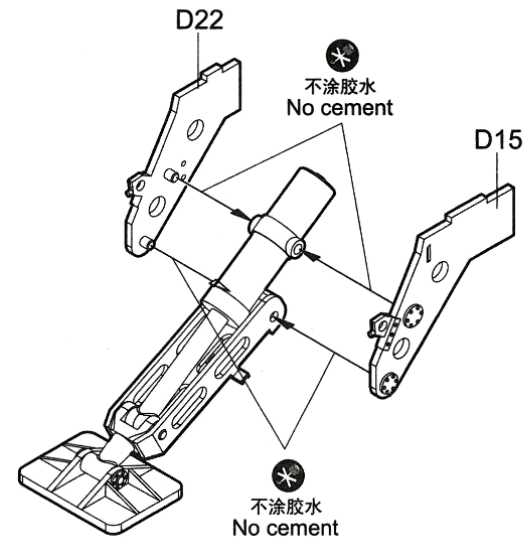
《制作4组》
Make four



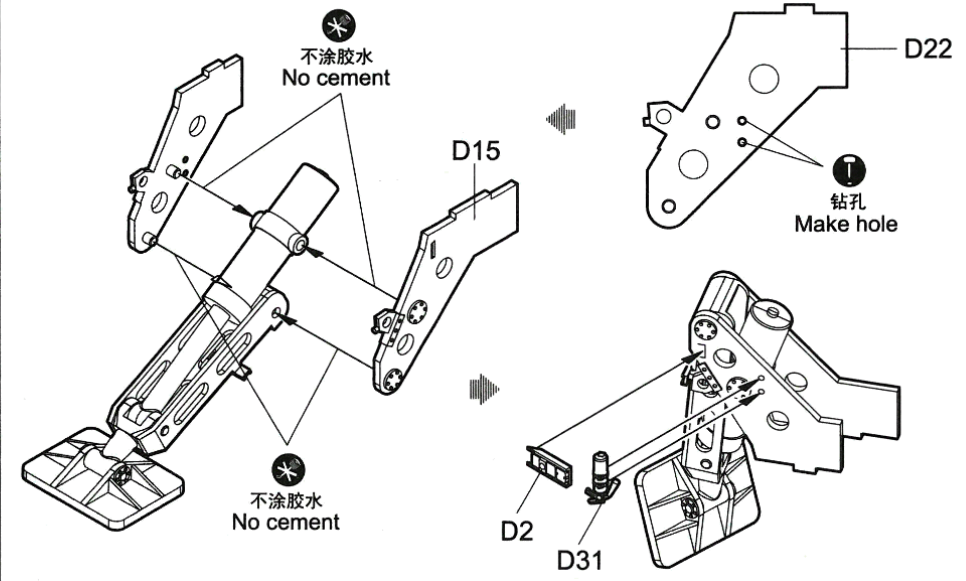
《K-3》



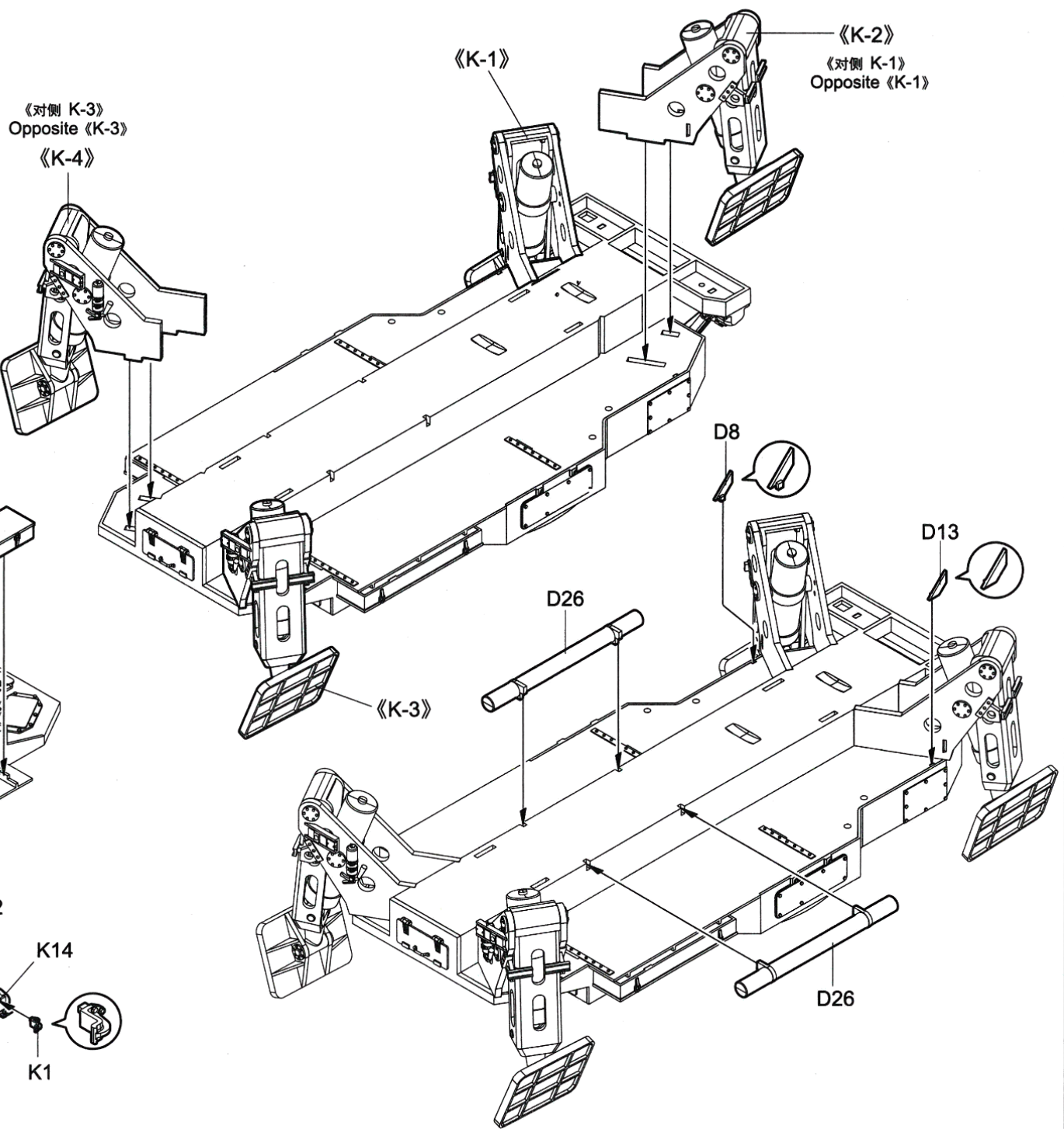
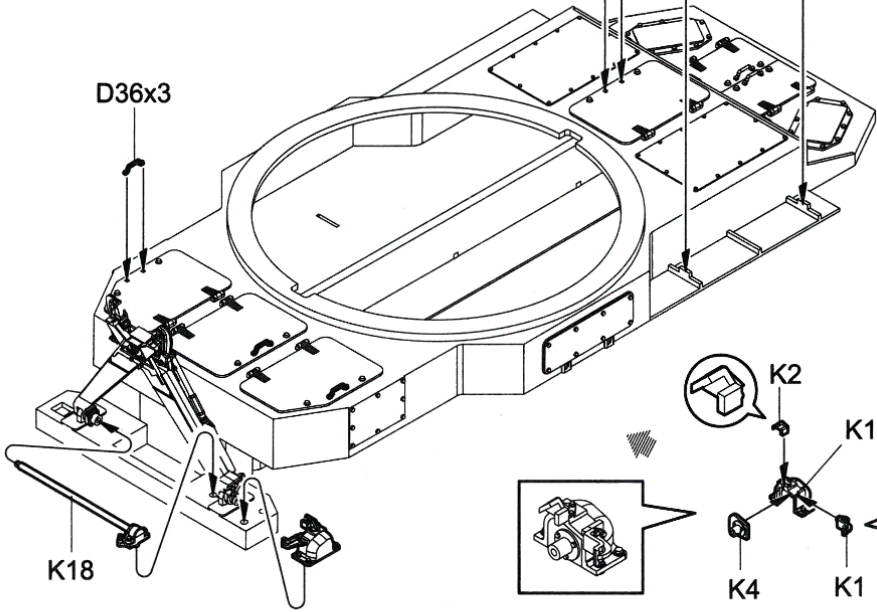
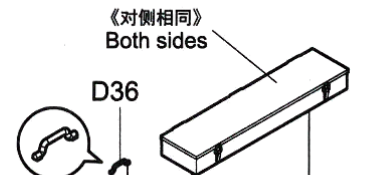
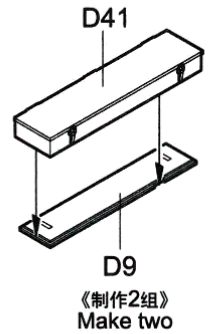
《K-1》

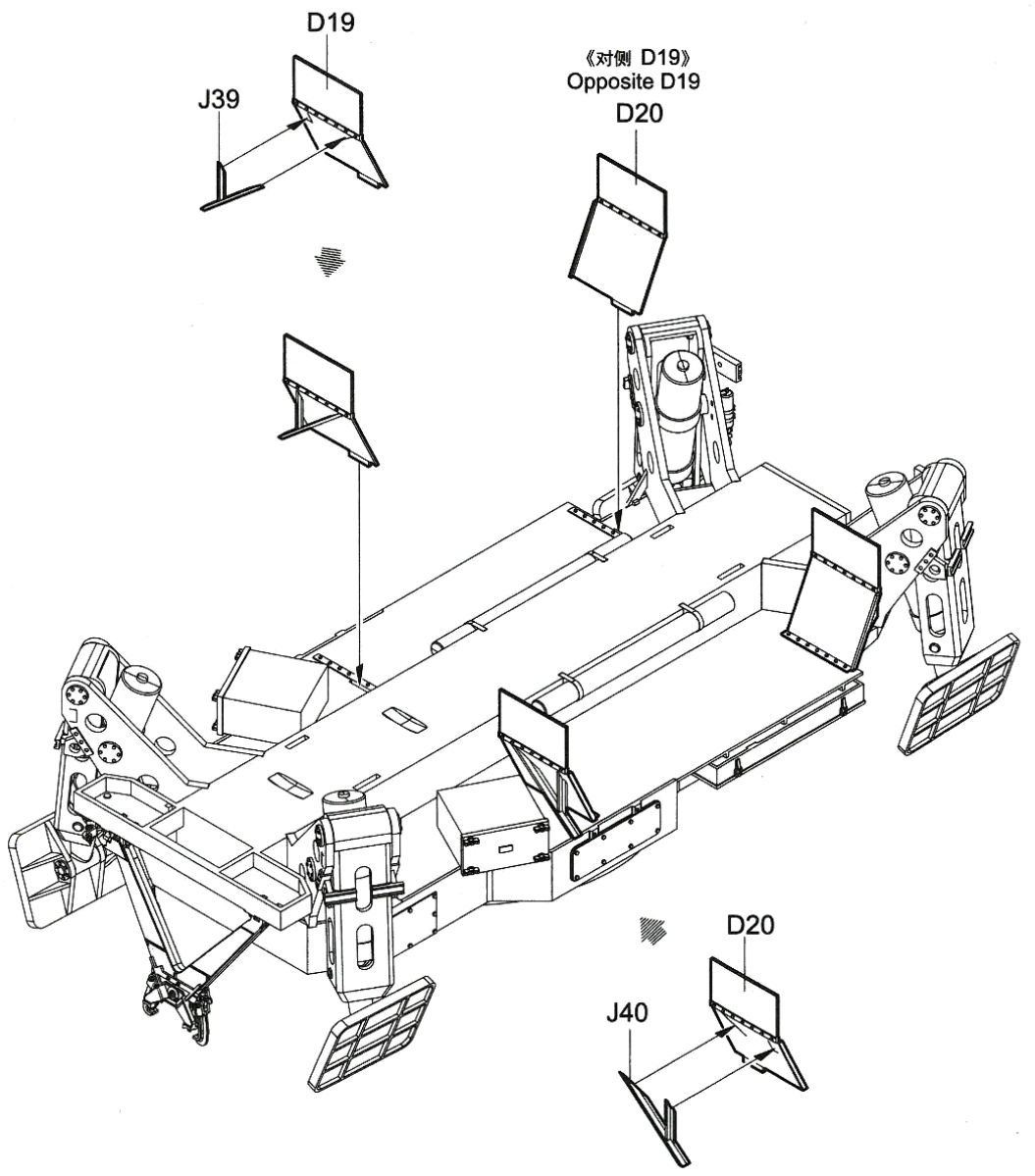
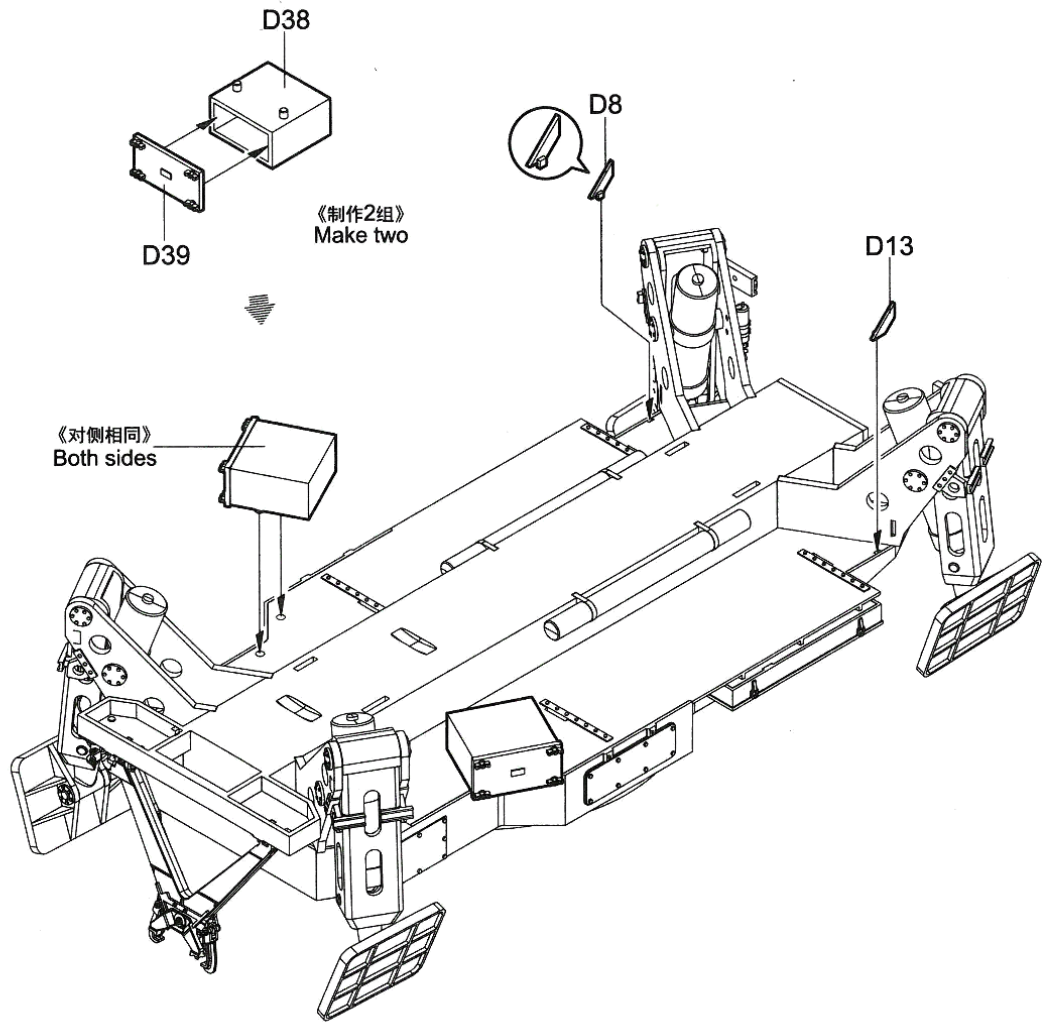


《K-2》

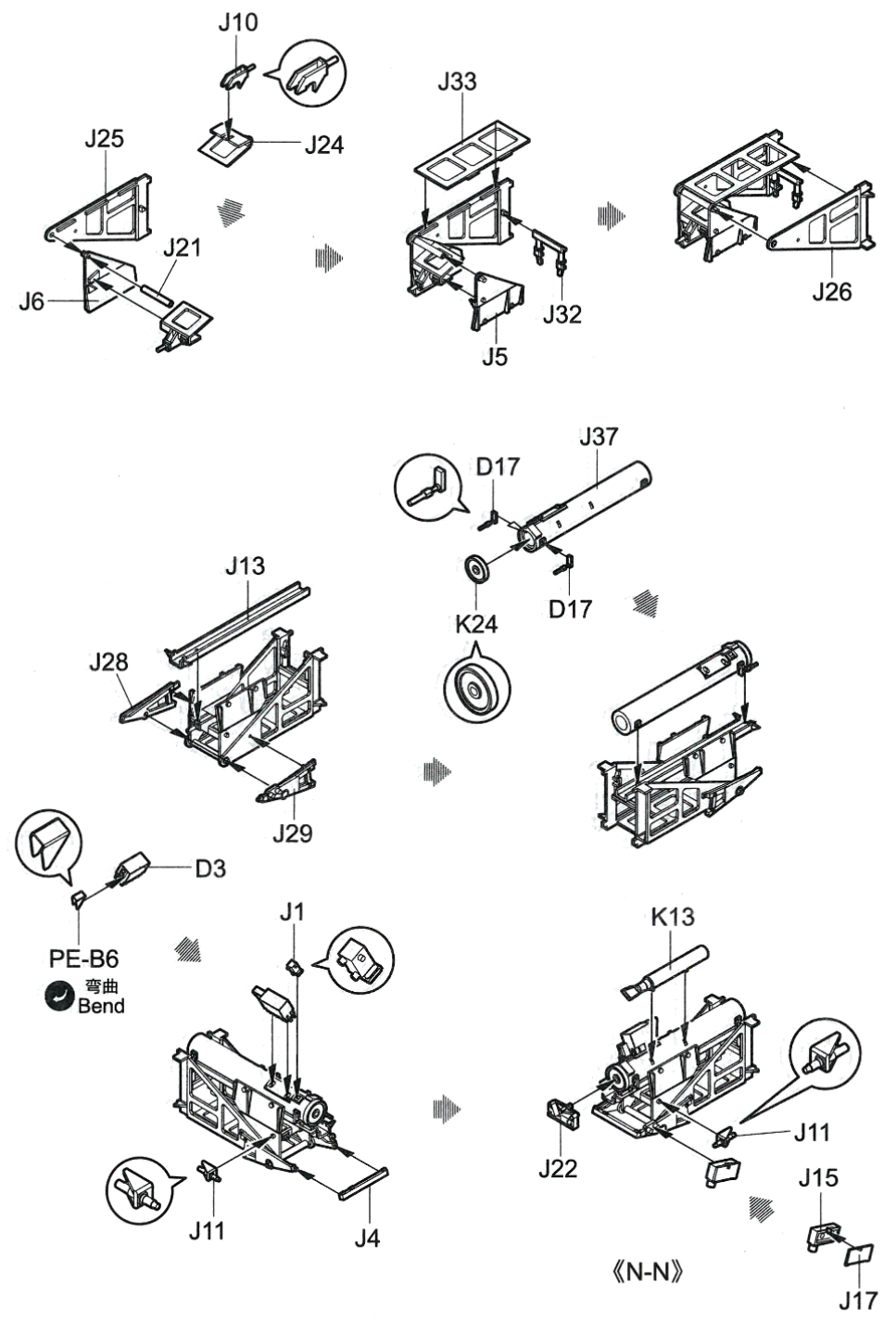
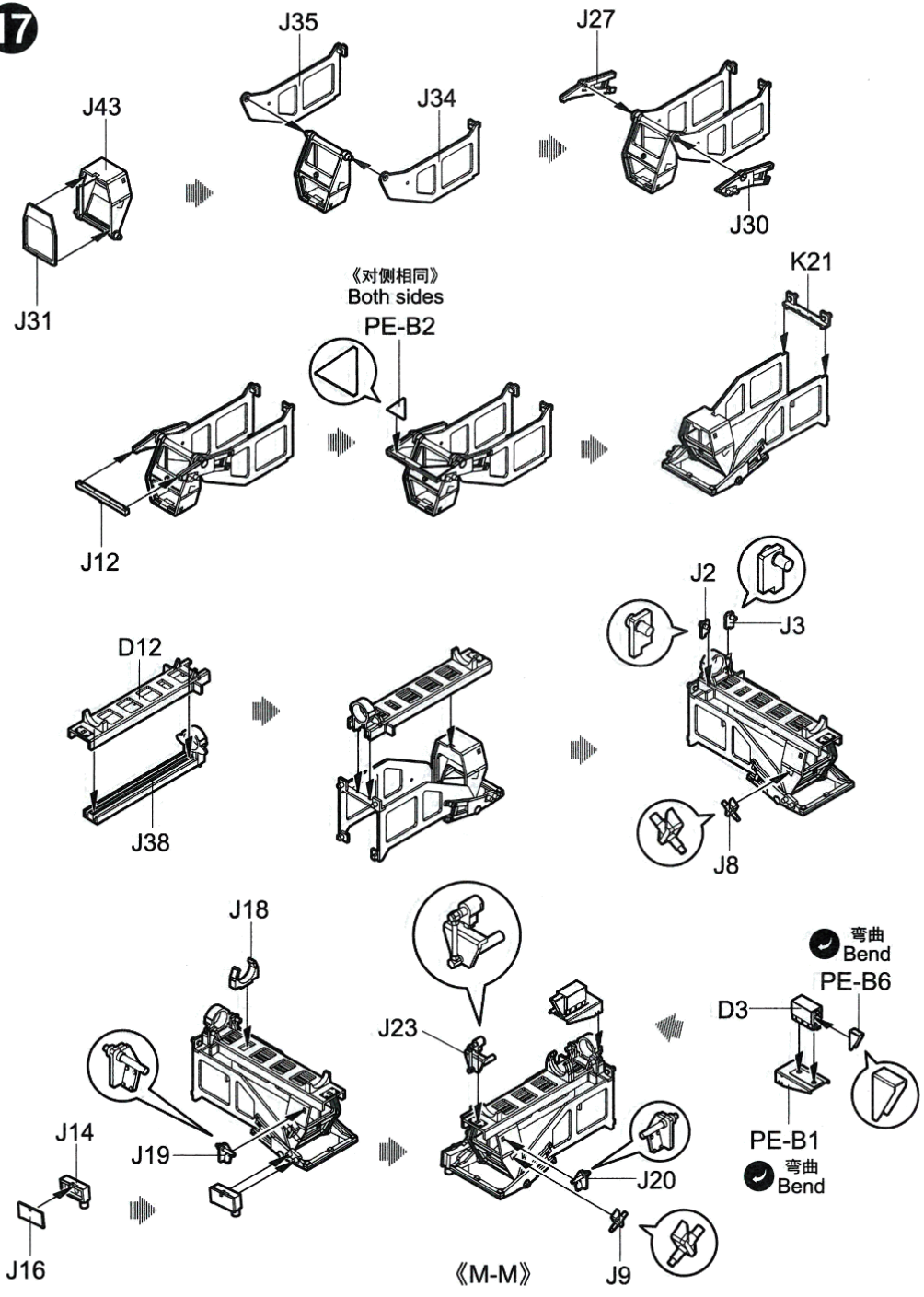


《K-4》

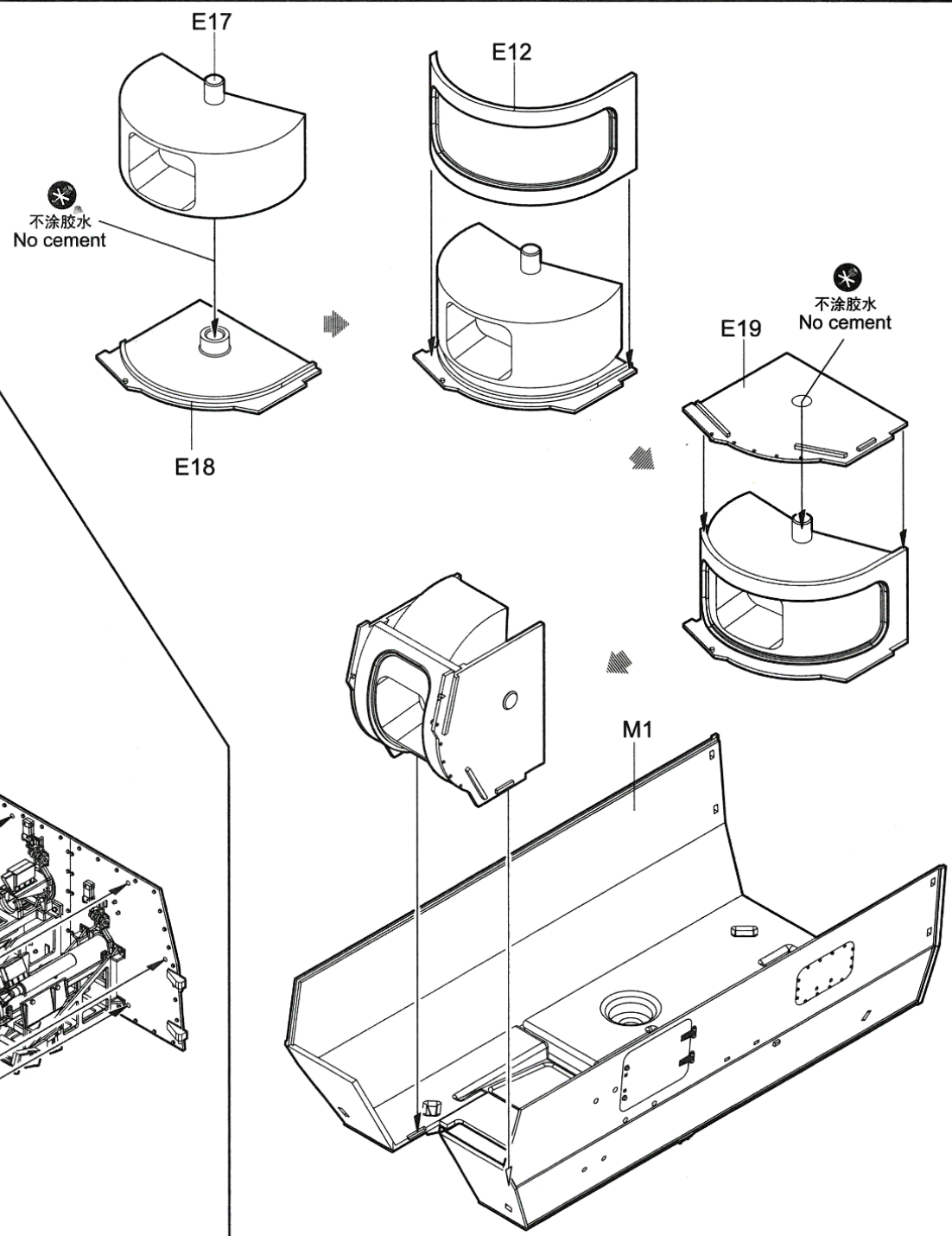
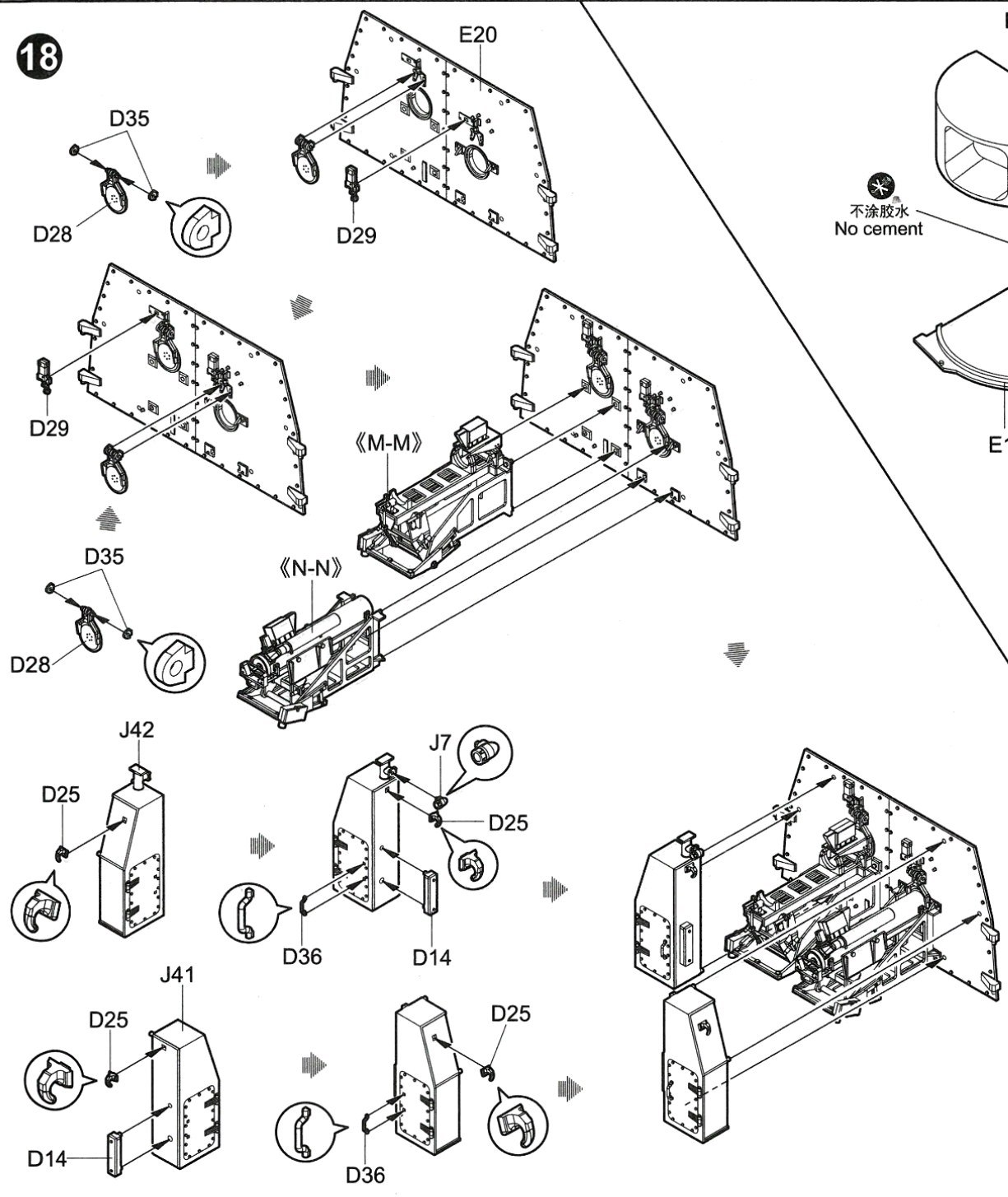


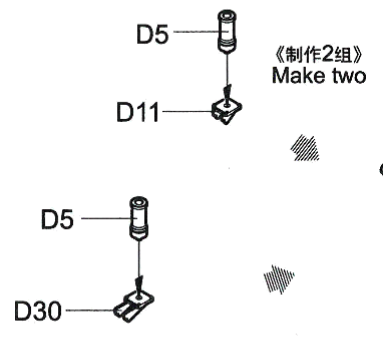
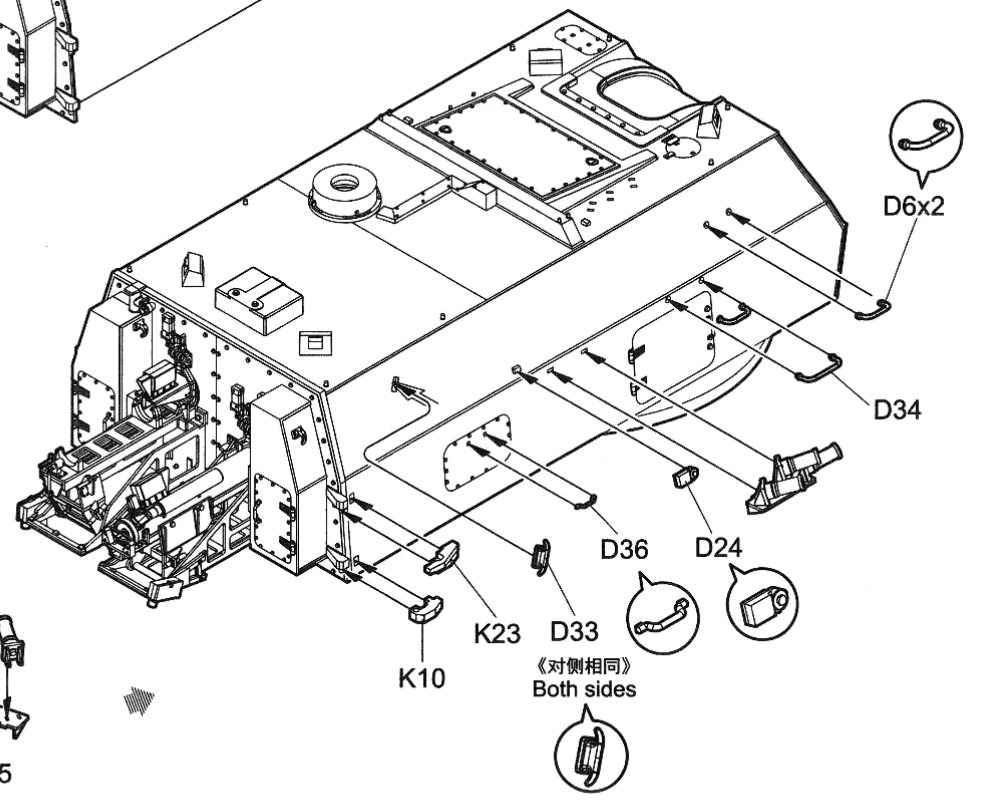
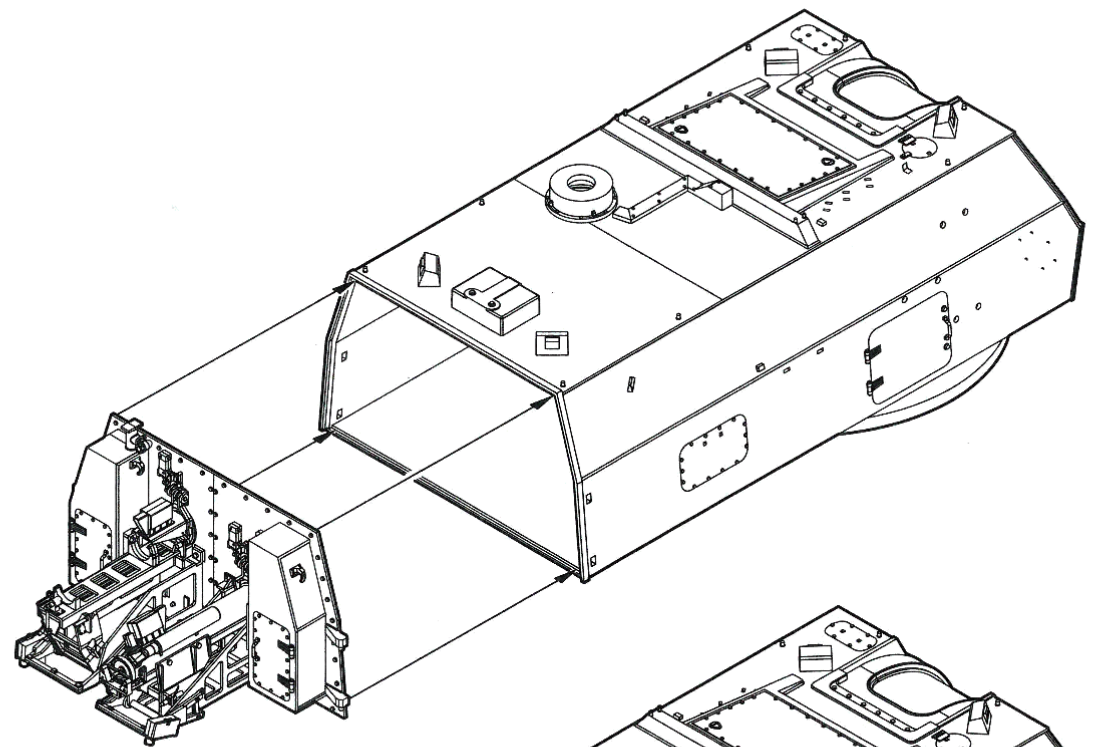
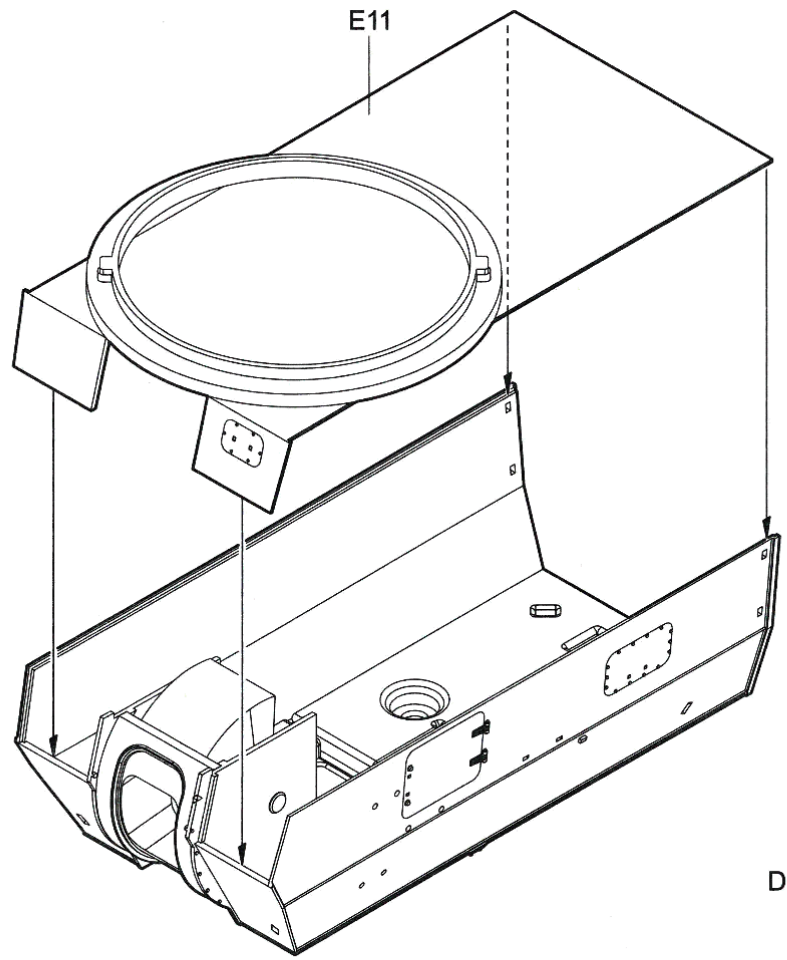


17

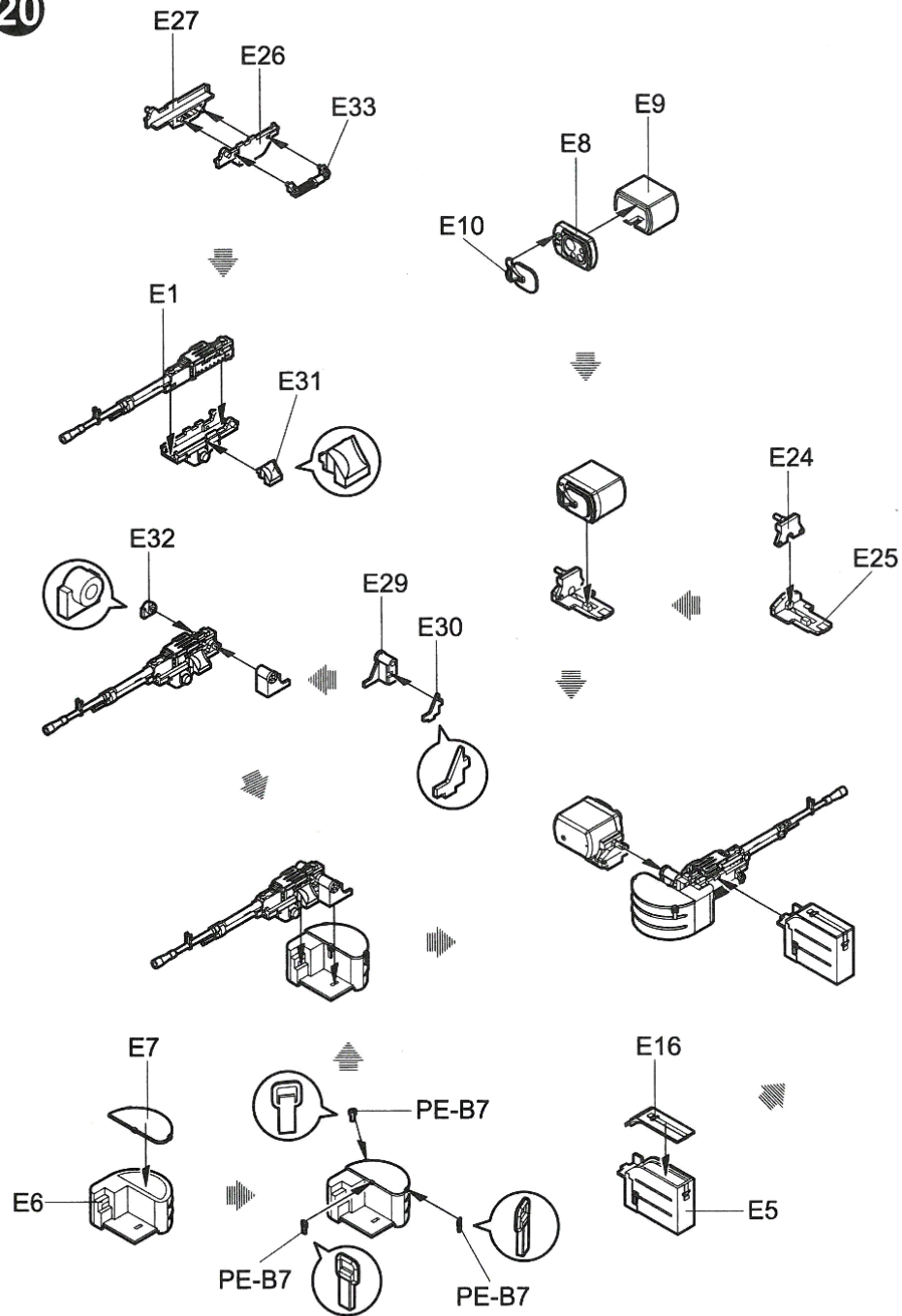


18

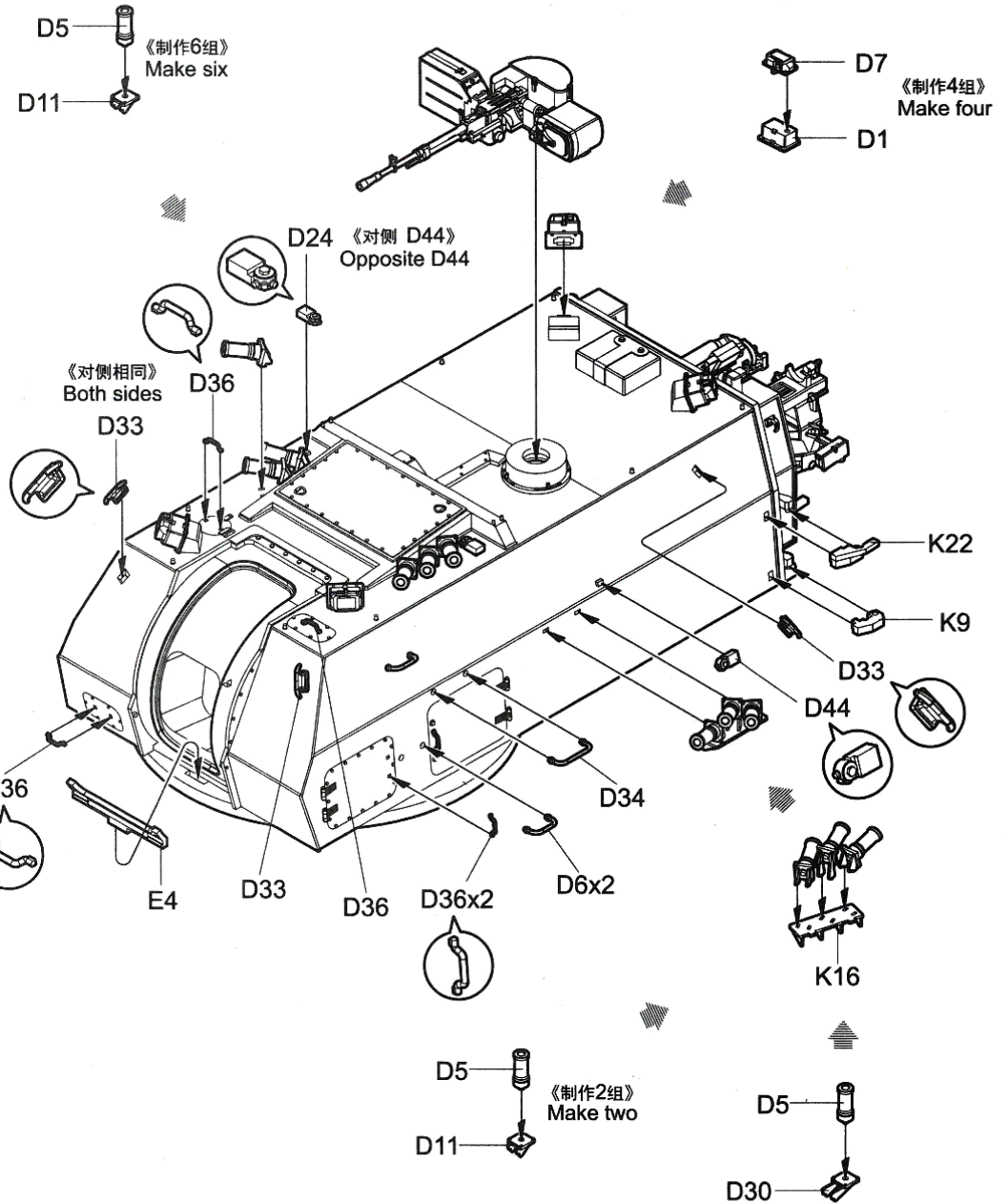




20

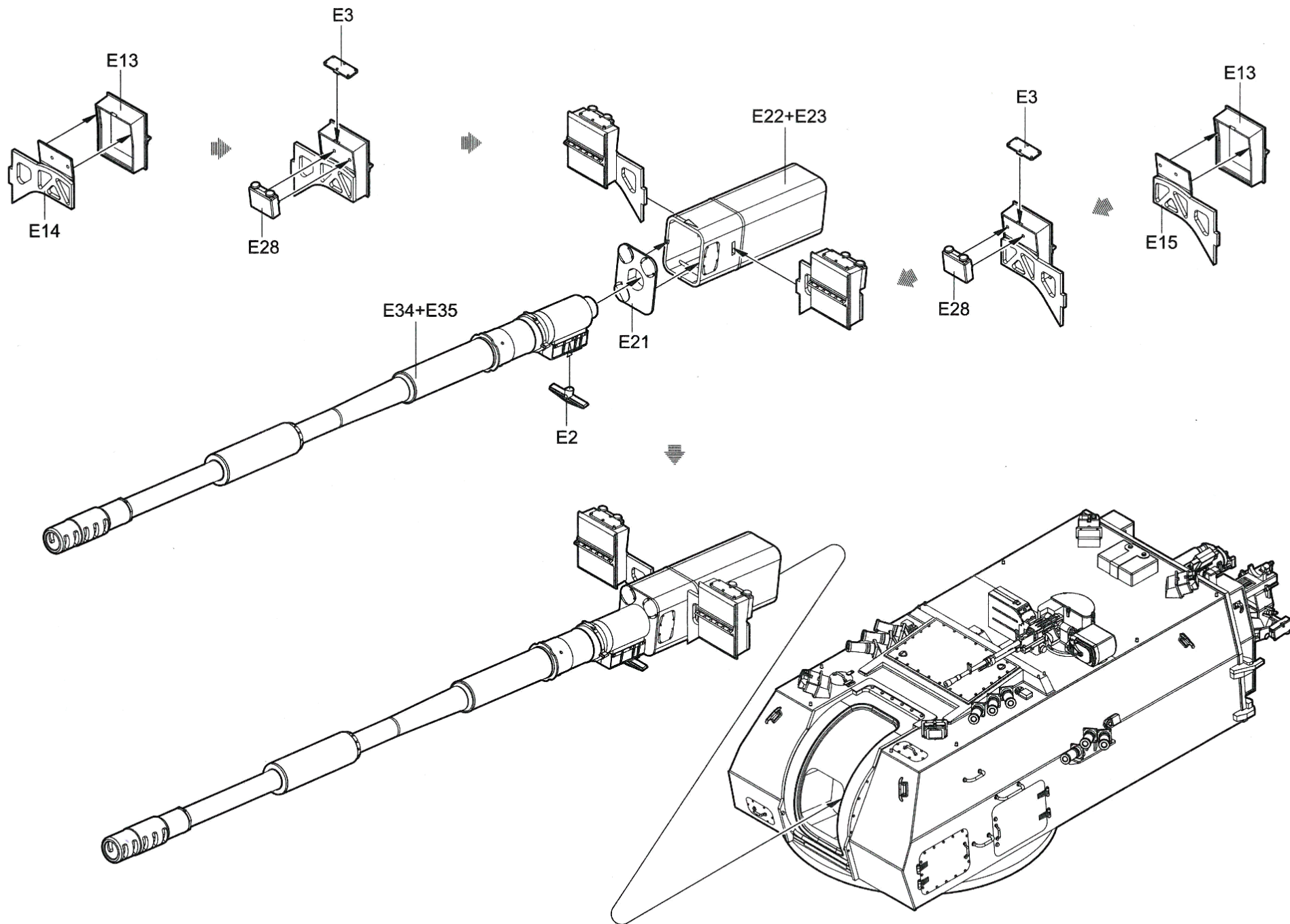


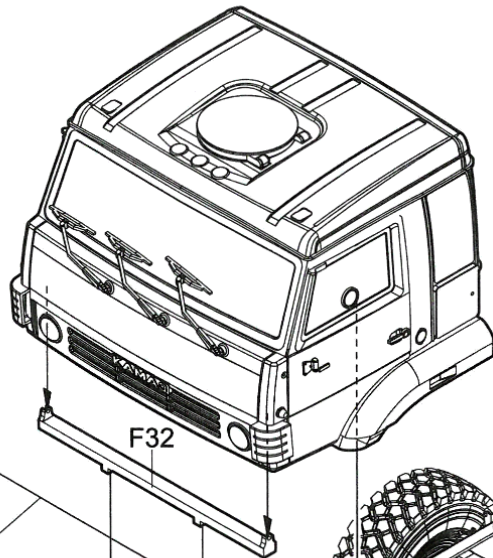
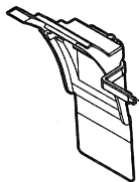
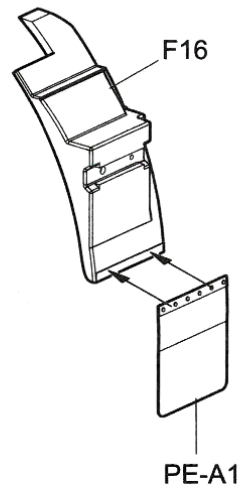
01085



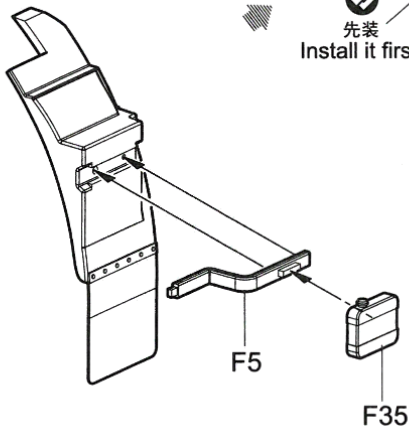
23

21

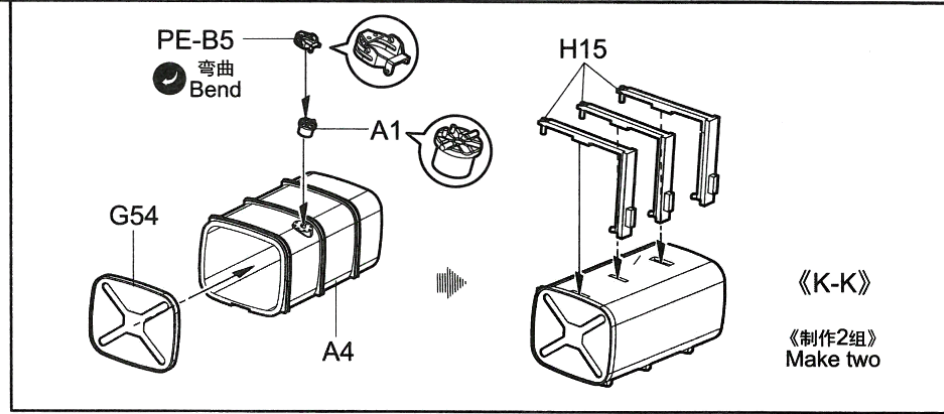
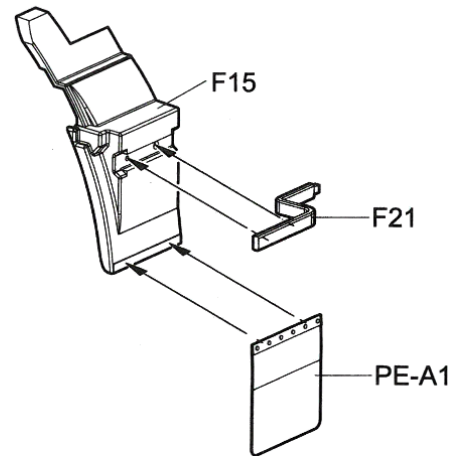
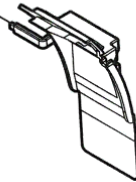




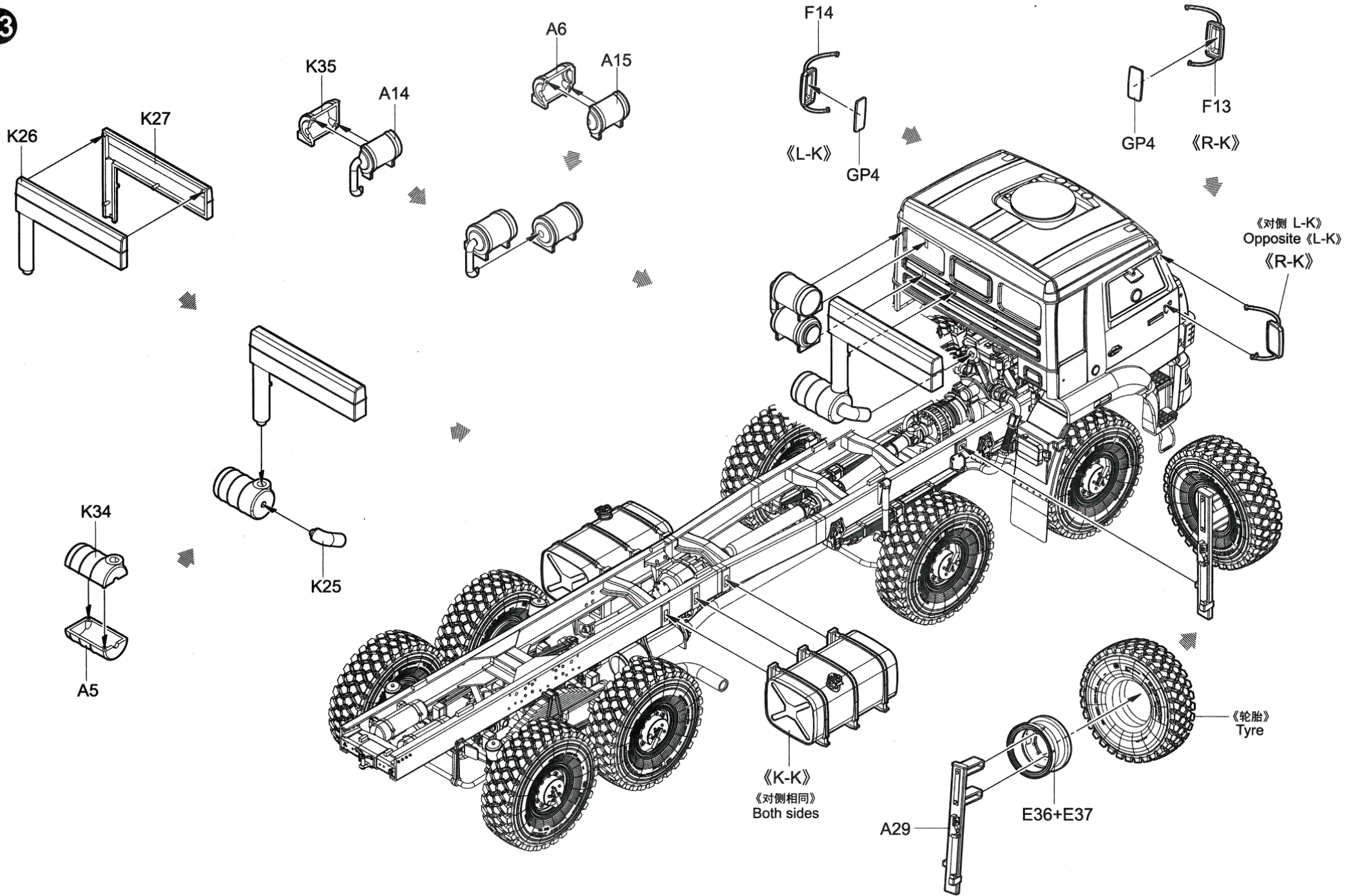
先装
Install it first



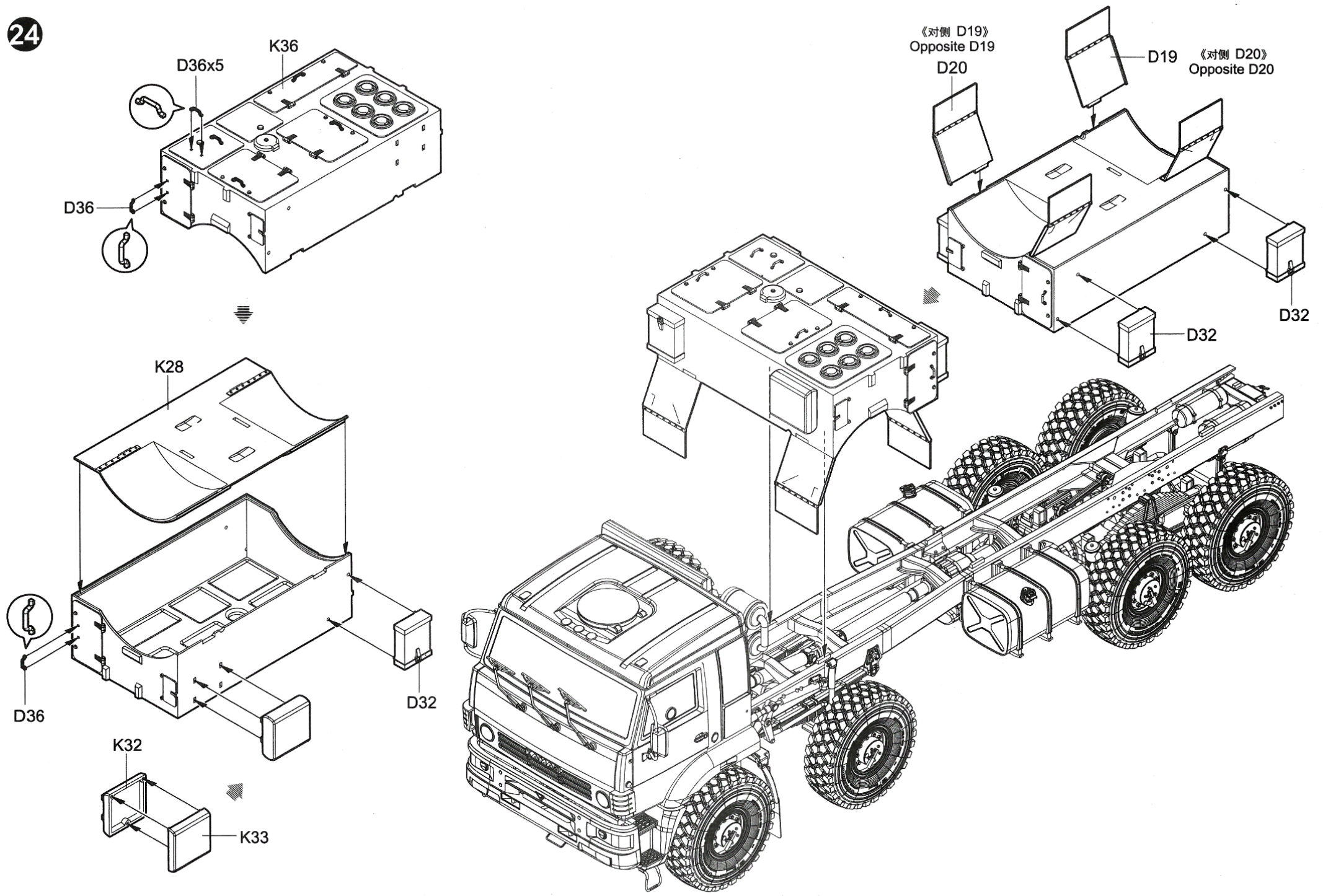
先装
Install it first

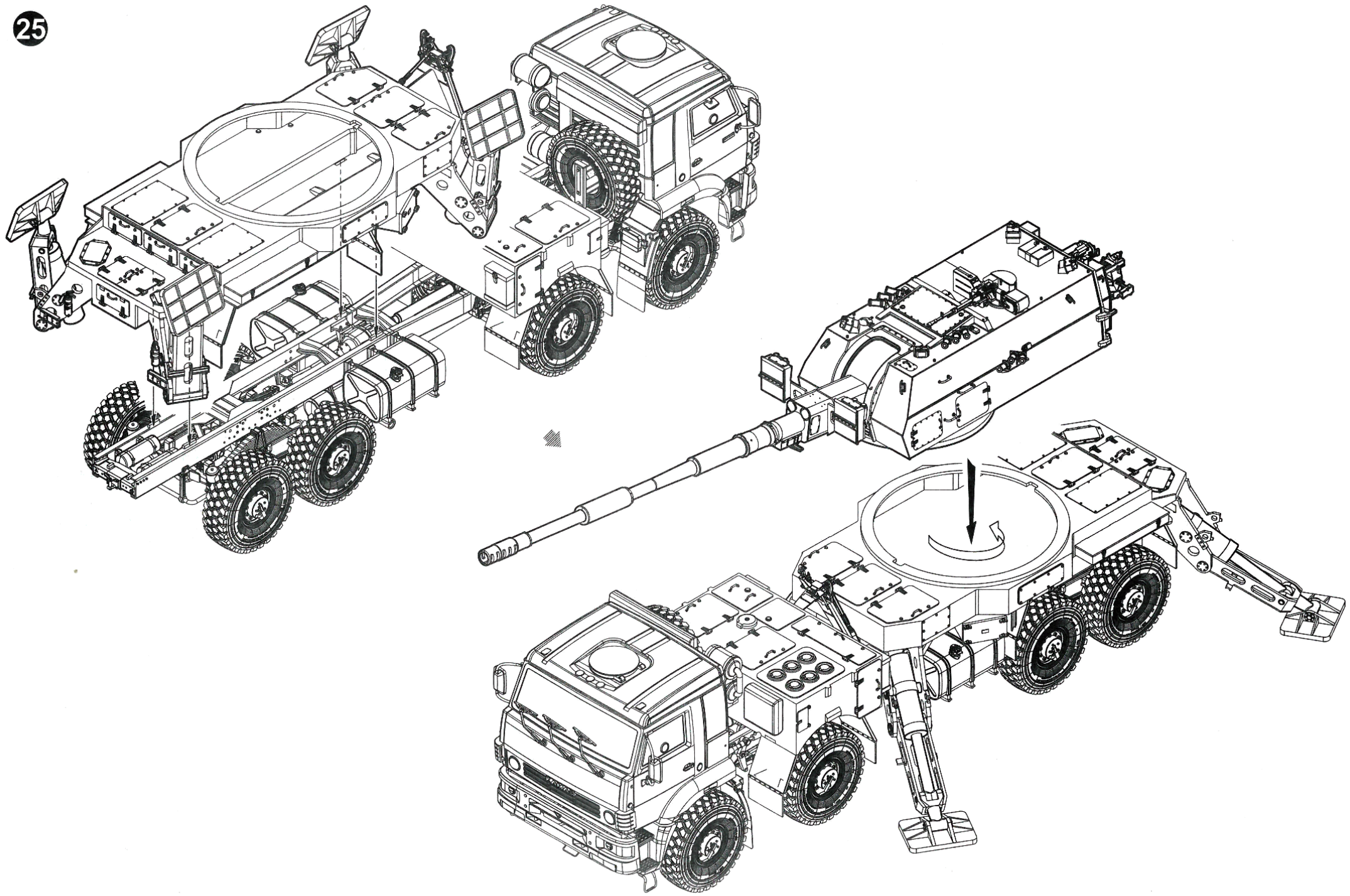


23



24





涂装同标贴指示 Painting & Marking guide

A

PAINT REFERENCE COLOR

Color	Mr.Hobby	Acrycion	Vallejo	Model Master	Tamiya	Humbrol	Color	Mr.Hobby	Acrycion	Vallejo	Model Master	Tamiya	Humbrol
Light Green 绿色	H[008] 303	N[303]	—	1713	XF20	117	Clear Orange 透明橘	H[92] 49	N[92]	935	—	X26	—
Steel 钢铁色	H[18] 28	N[18]	864	1402	XF84	—	Clear Red 透明红	H[90] 47	N[90]	934	—	X27	—
Tire Black 胎黑色	H[77] 137	N[77]	—	—	XF85	—	Flat Black 消光黑	H[12] 33	N[12]	950	1749	XF1	33
Sandy Yellow 沙黄色	H[79] 39	N[79]	824	—	XF59	93	Silver 银色	H[8] 8	N[8]	997	1546	X11	11
Semi Gloss Black 半光黑	H[92] 92	N[92]	950	—	X18	—							



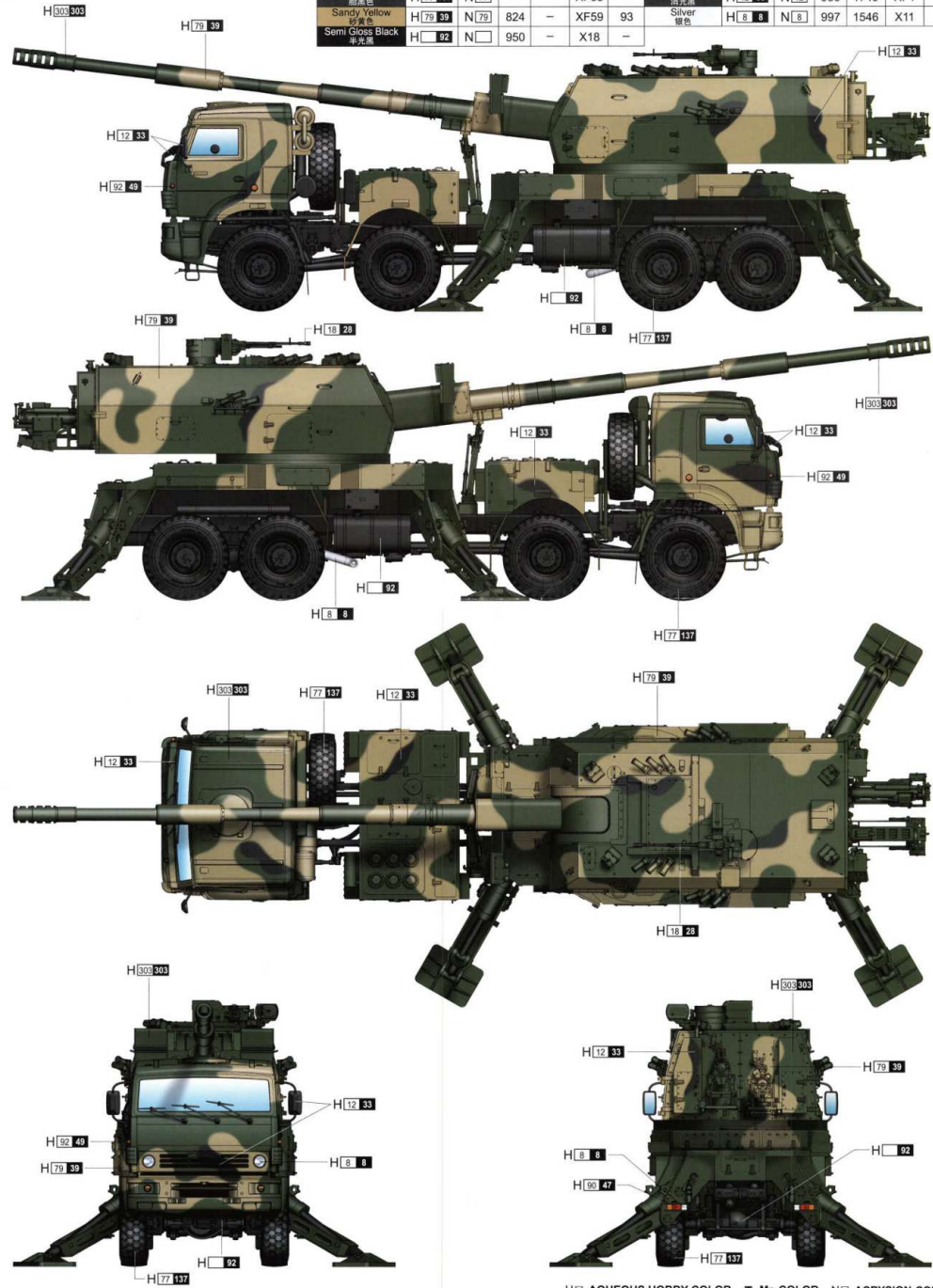
H[] AQUEOUS HOBBY COLOR ■ Mr. COLOR N[] ACRYCION COLOR

涂装同标贴指示
Painting & Marking guide

B

PAINT REFERENCE COLOR

Color	Mr.Hobby	Acrycion	Vallejo	Model Master	Tamiya	Humbrol	Color	Mr.Hobby	Acrycion	Vallejo	Model Master	Tamiya	Humbrol
Light Green 绿色	H 003 303	N 003	-	1713	XF20	117	Clear Orange 半透明橘色	H 02 49	N 02	935	-	X26	-
Steel 钢铁色	H 08 28	N 18	864	1402	XF84	-	Clear Red 半透明红色	H 00 47	N 00	934	-	X27	-
Tire Black 胎黑色	H 77 137	N 77	-	-	XF85	-	Flat Black 消光黑	H 12 33	N 12	950	1749	XF1	33
Sandy Yellow 沙黄色	H 79 39	N 79	824	-	XF59	93	Silver 银色	H 08 8	N 08	997	1546	X11	11
Semi Gloss Black 半光黑	H 02 92	N 02	950	-	X18	-							



H AQUEOUS HOBBY COLOR ■ Mr. COLOR N ACRYSION COLOR

B