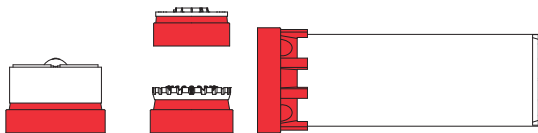
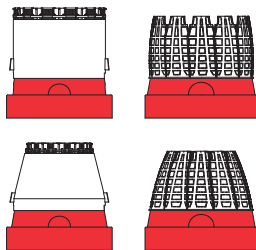


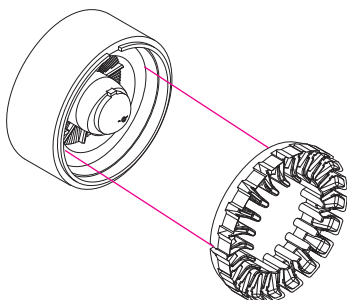
1



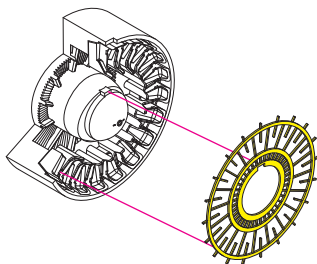
CUT



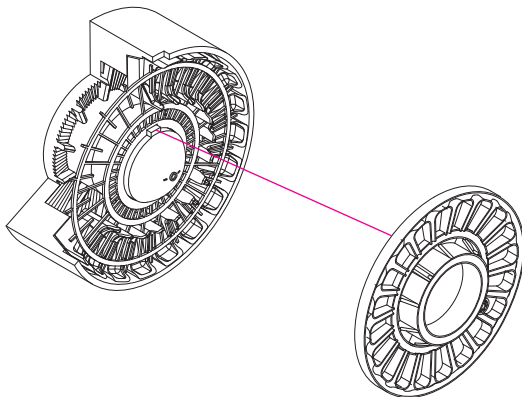
2 X2



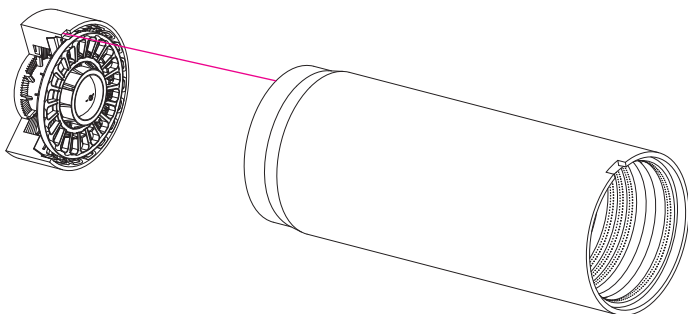
3 X2



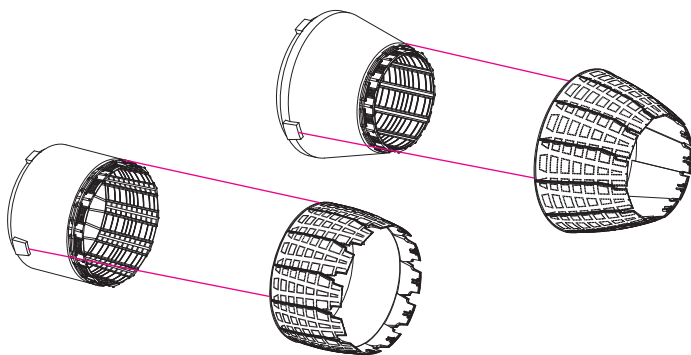
4 X2



5 X2



6



7

