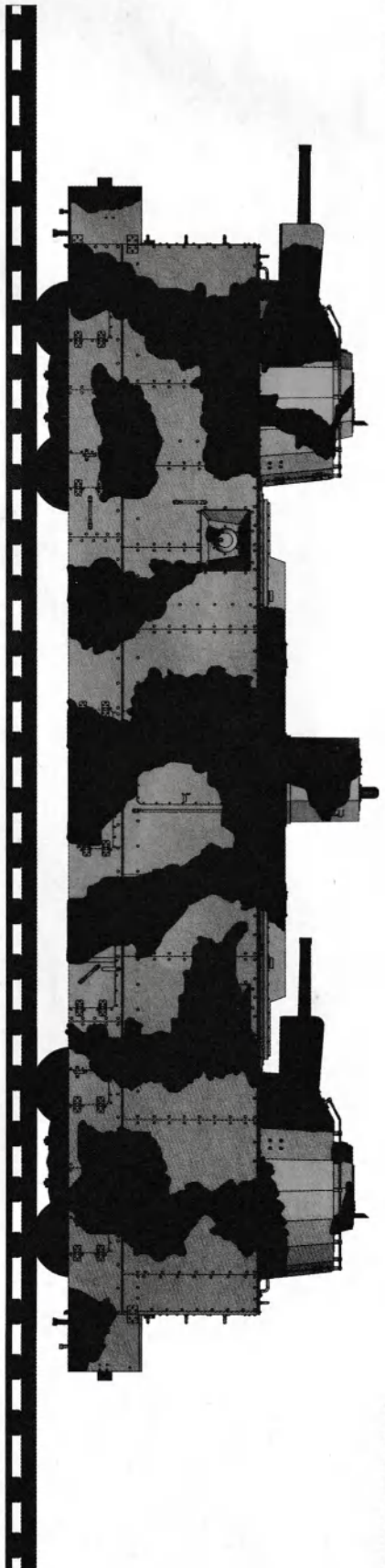


1/35 SCALE

ITEM NO.:00222



Soviet PL-37 Light Artillery Wagon

苏联PL-37装甲火炮载卡

READ BEFORE ASSEMBLY:

- This kit is not recommended for inexperienced modelers or for children under 14 years of age
- Study and understand these instructions thoroughly before beginning assembly
- When needed, remove photo-etch parts carefully using a modeling knife or photo etch sprue cutter, being careful not to damage or lose small parts.
- Take extra care in handling photo etch parts in order to avoid injury
- Apply instant cement sparingly to photo etch parts where instructed

- Tools recommended(not included in kit):Plastic and instant cements,sprue cutters,long nose pliers,modeling knife, small files, tweezers, pin vise & scissors. Soft cloth and sandpaper will also assist in construction
- Glue and paint are not included in the kit. Use plastic cement and hobby paints only. Color guide for purchasing paint is included in the kit.
- Keep out of reach of children. They must not be allowed to ingest small parts or handle plastic bags in any way.

装配之前仔细阅读

- 小心用模型锉刀锉平所有零件表面的注射浇口。
- 小心用刀片切下蚀刻片零件，不要遗失小零件。
- 用强力快干胶水粘合蚀刻片零件和金属轴。过量的快干胶水使用可能导致可动零件会粘住，小心涂胶。
- 取蚀刻片时应特别注意安全，防止利刃划伤手指。
- 某些零件表面需贴水上贴纸，请选择在装配的同时进行。推荐模型工具(自备)：胶水，水口剪刀，长咀钳，刀片，锉刀，镊子钳，钻，剪刀，瞬间快干胶。
- 软布同砂纸同时也应该是必备工具。
- 请使用塑料胶水和油漆，模型内不含。
- 谨防小孩吸吮塑料零件，或者将塑料袋套在头上，制作时应将套材远离小孩接触。
- 本产品不适合14岁以下没有经验的模型爱好者。

水贴纸的使用:

- 1.从水贴纸上剪下印花;
- 2.将印花放入温水中浸10秒,然后放在干净布上;
- 3.拿着印花纸板将印花移到模型上;
- 4.手指蘸水将印花移到适当的位置;
- 5.用软布轻压印花直至水干,汽泡消失。

DECAL APPLICATION:

- 1.Cut decals from sheet as needed
2. Dip the decal in warm water for about 10 seconds and then place on soft clean cloth.
3. Hold the decal backing sheet edge and gently slide the decal onto the model in its proper position.
4. While still wet,decal can be adjusted for better fit on model by dampening it gently with your finger.
5. When placed in the proper position,gently press decal down with a soft cloth until excess water and air bubbles are gone.
6. Allow decal to dry completely before handling model



使用强力胶



配重



钻孔



切除



Cyanoacrylate glue Weight



Make hole



Cut / Remove



不涂胶水



弯曲



贴纸



锉平



选择



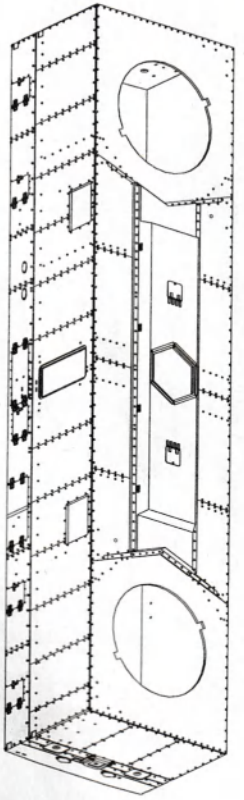
No cement



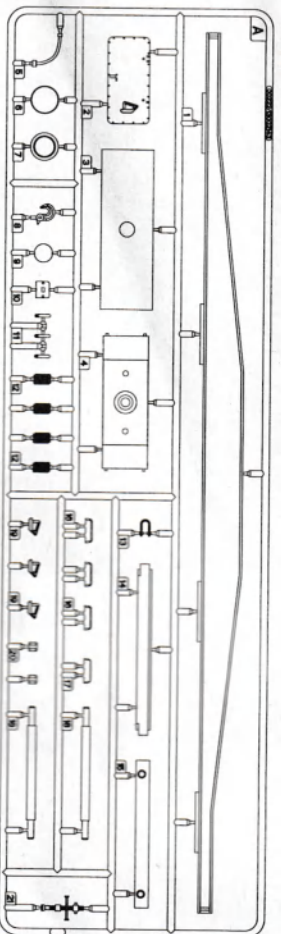
Bend

部品图 Parts

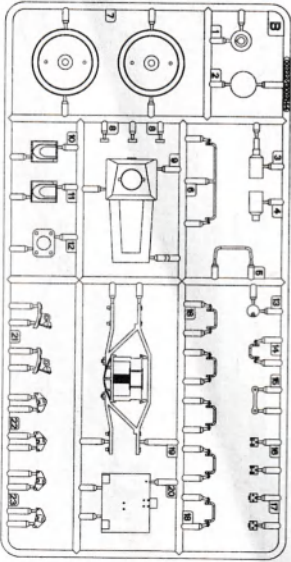
《车面》
Upper hull



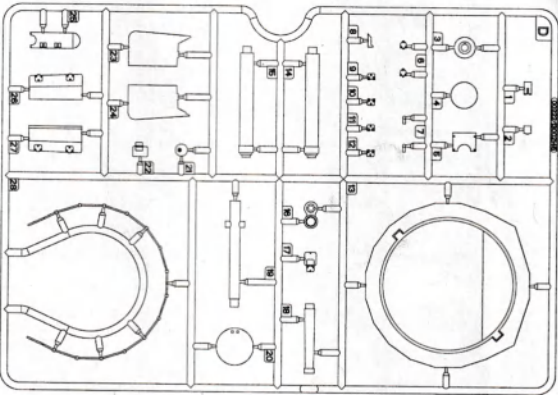
A X2



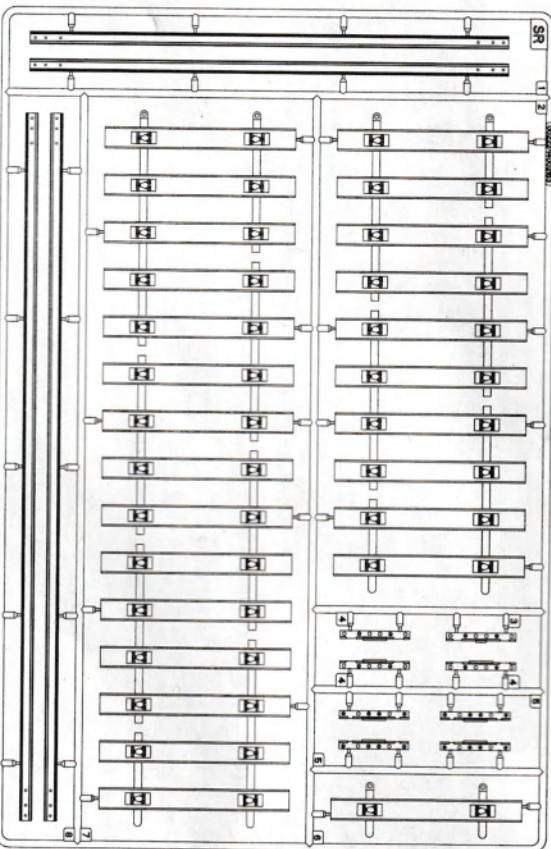
B X4



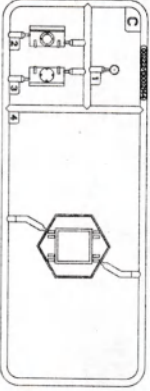
D X2



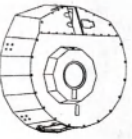
SR



C



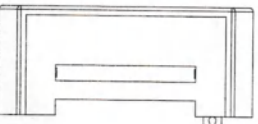
《炮塔》 X2
Turret



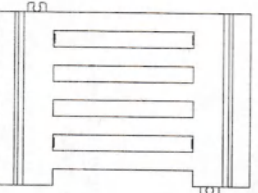
《平板》
Flat



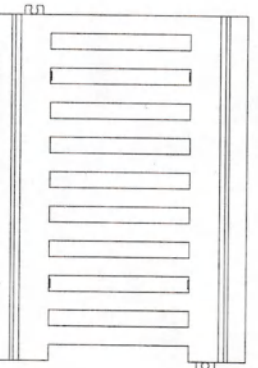
Road-AX2



Road-BX2



Road-CX1

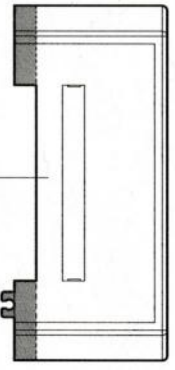


不用部品:
Unused parts

A11x1, B8x4, SR3, SR4x1, SR5x2, SR6.

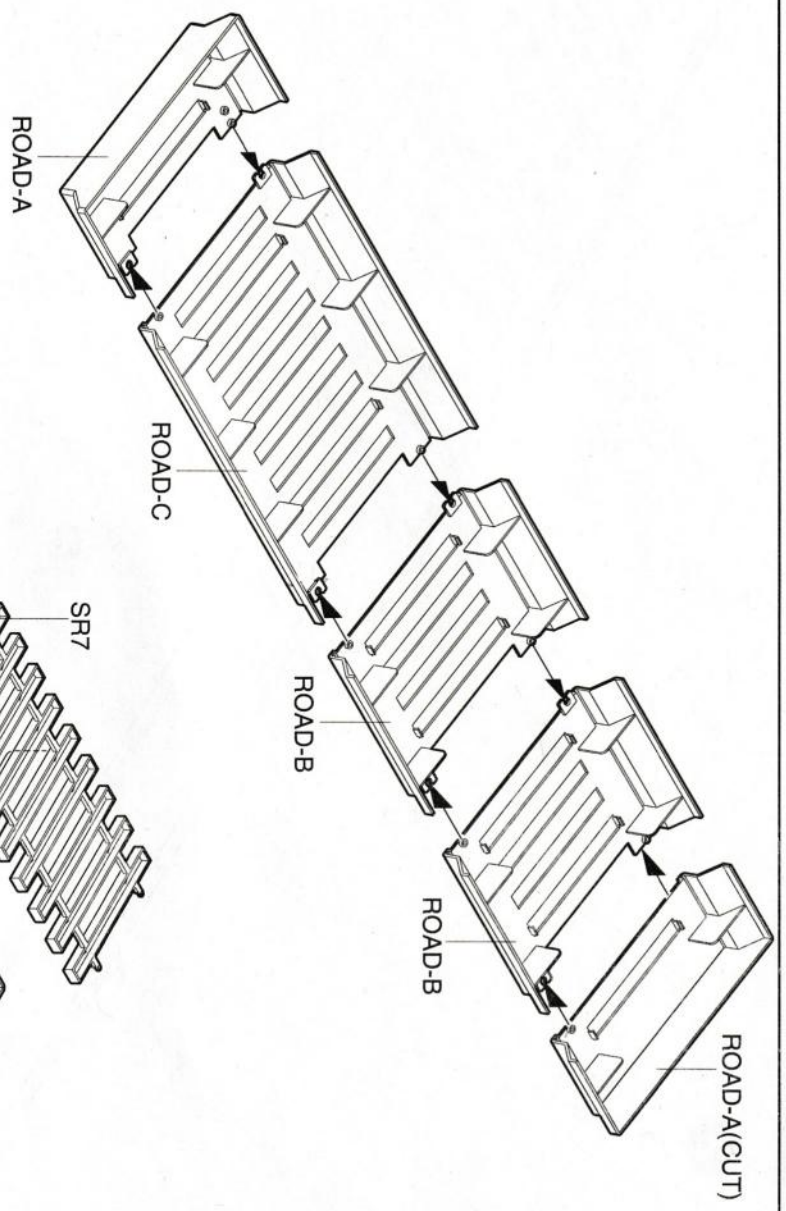
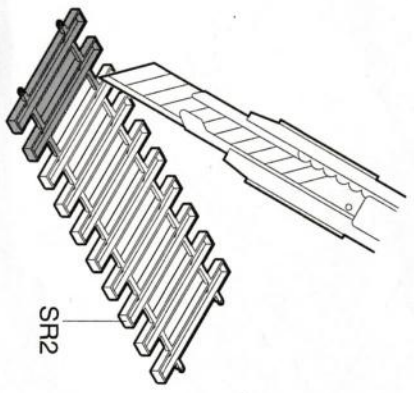
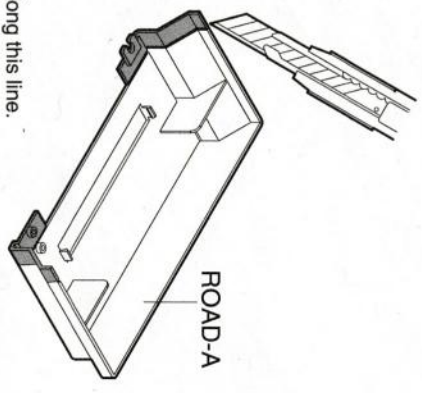
1

切除
Cut / Remove

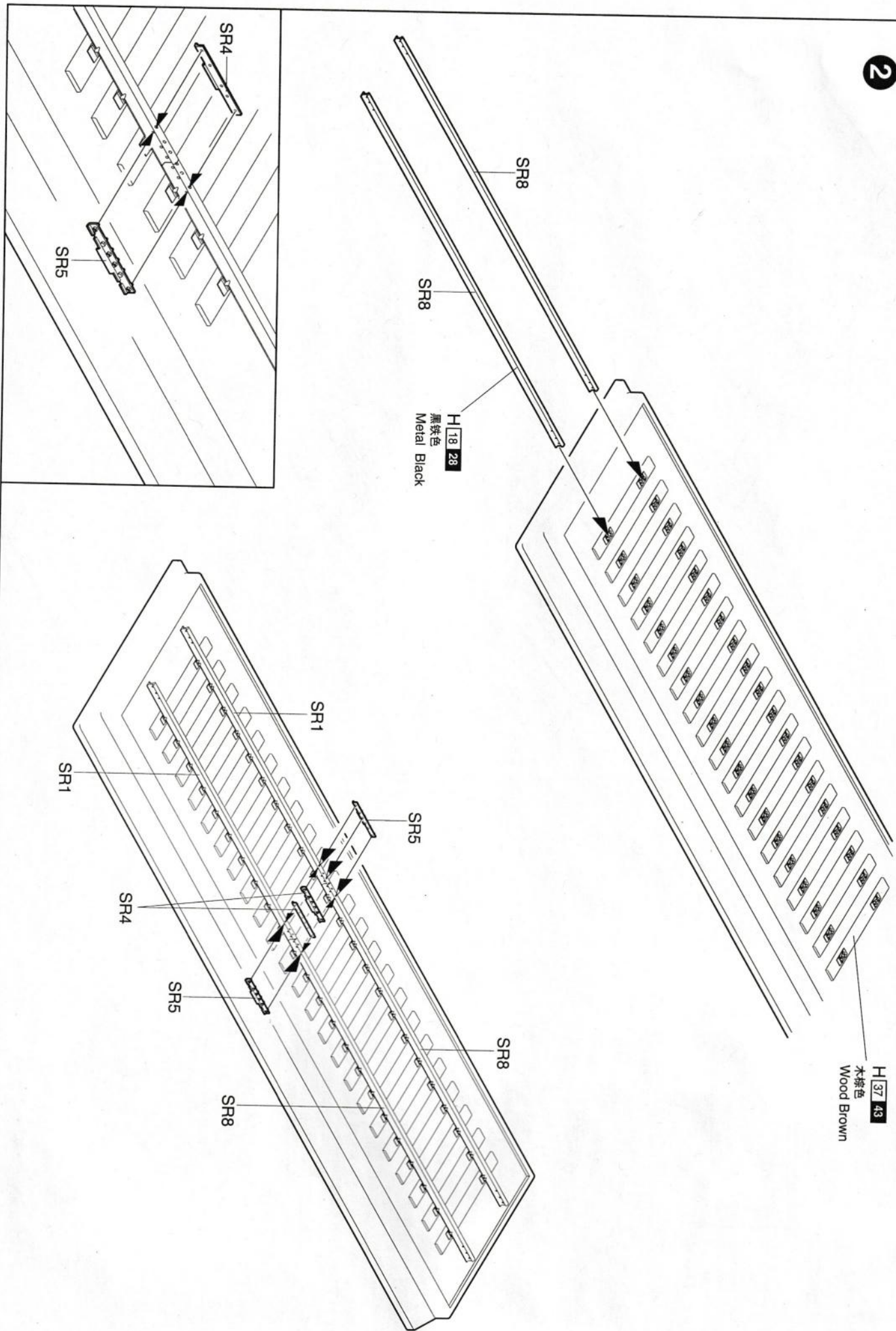


切除
Cut / Remove

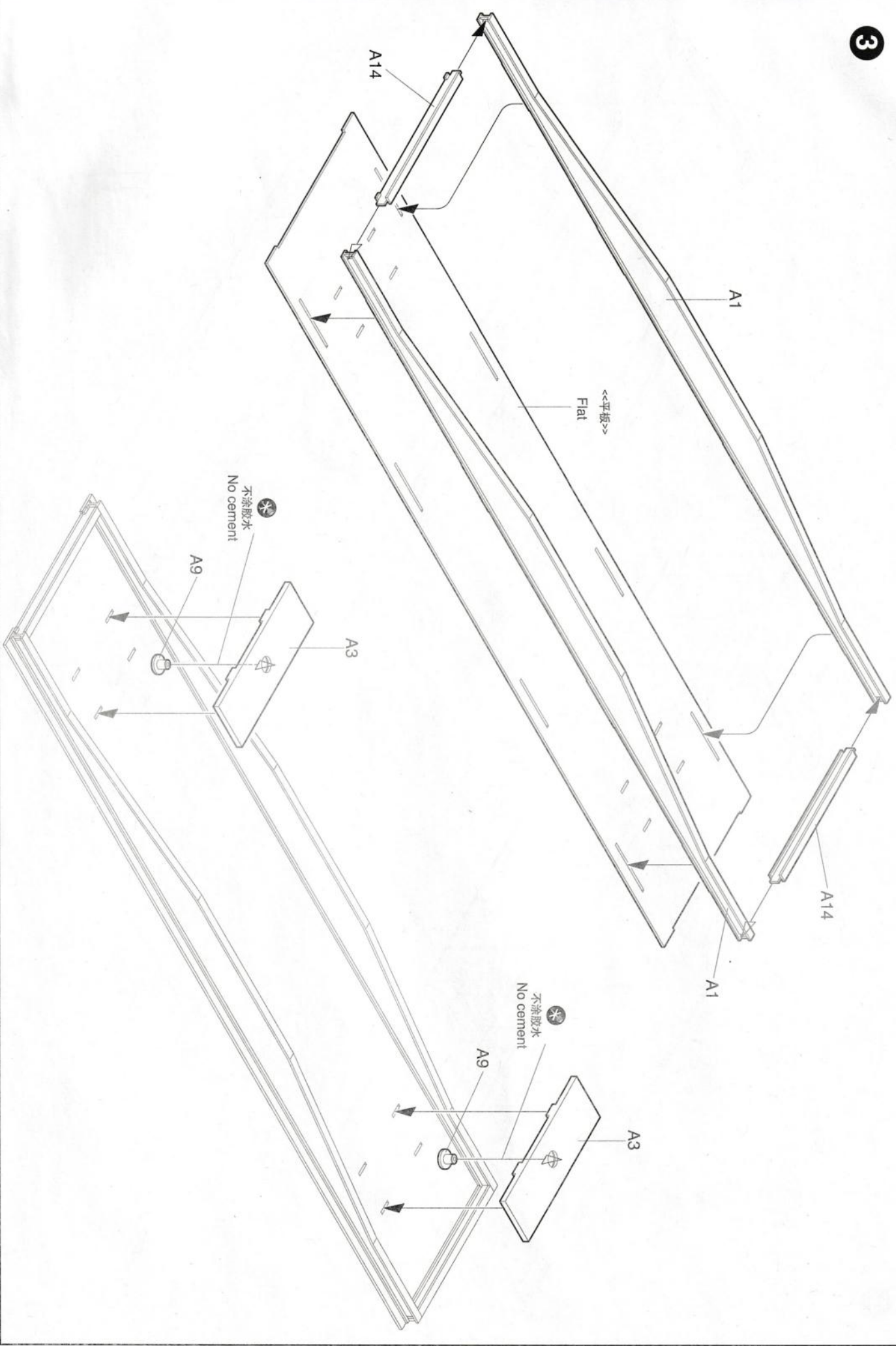
沿线切取其中1件
Cut only one sheet along this line.

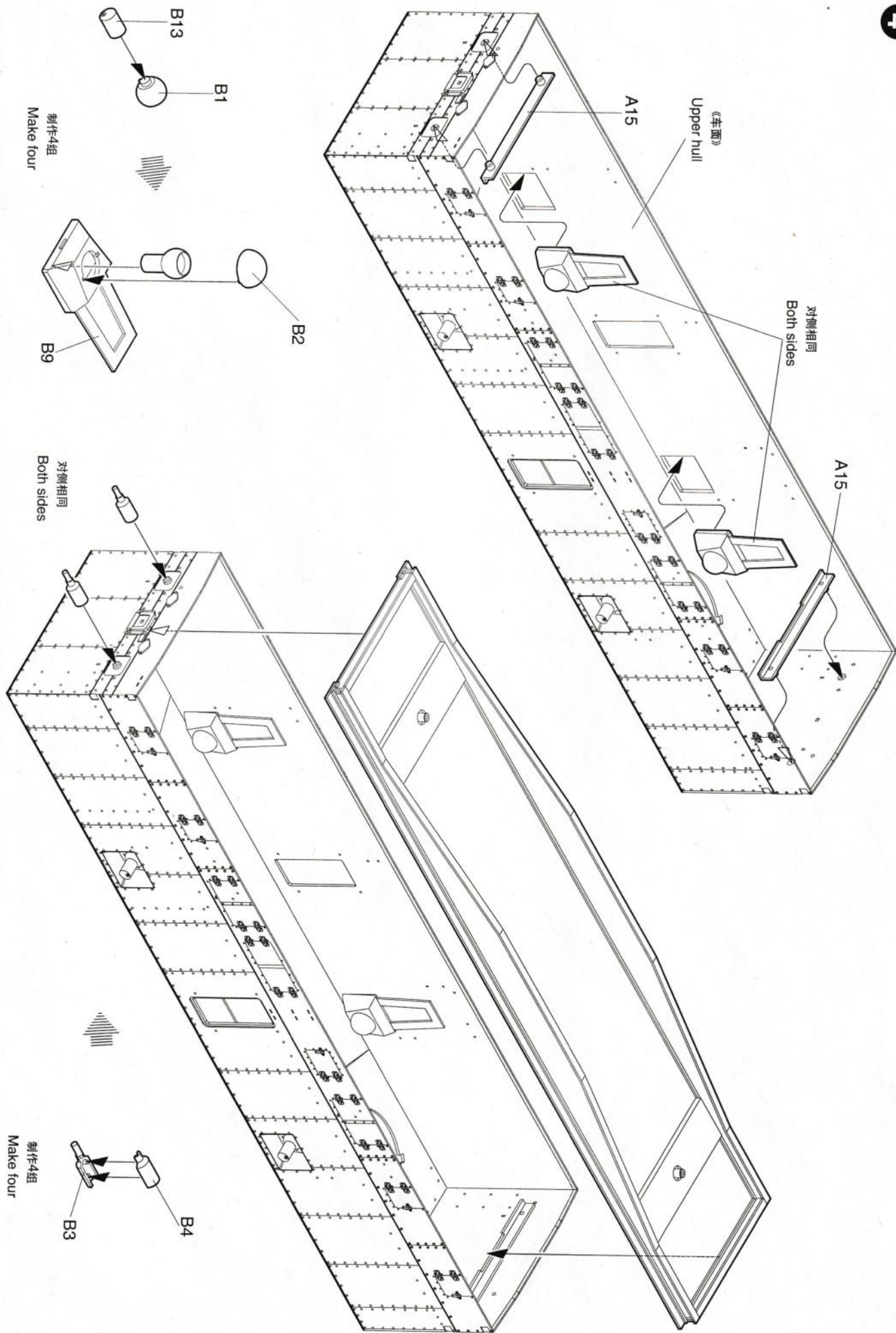


2



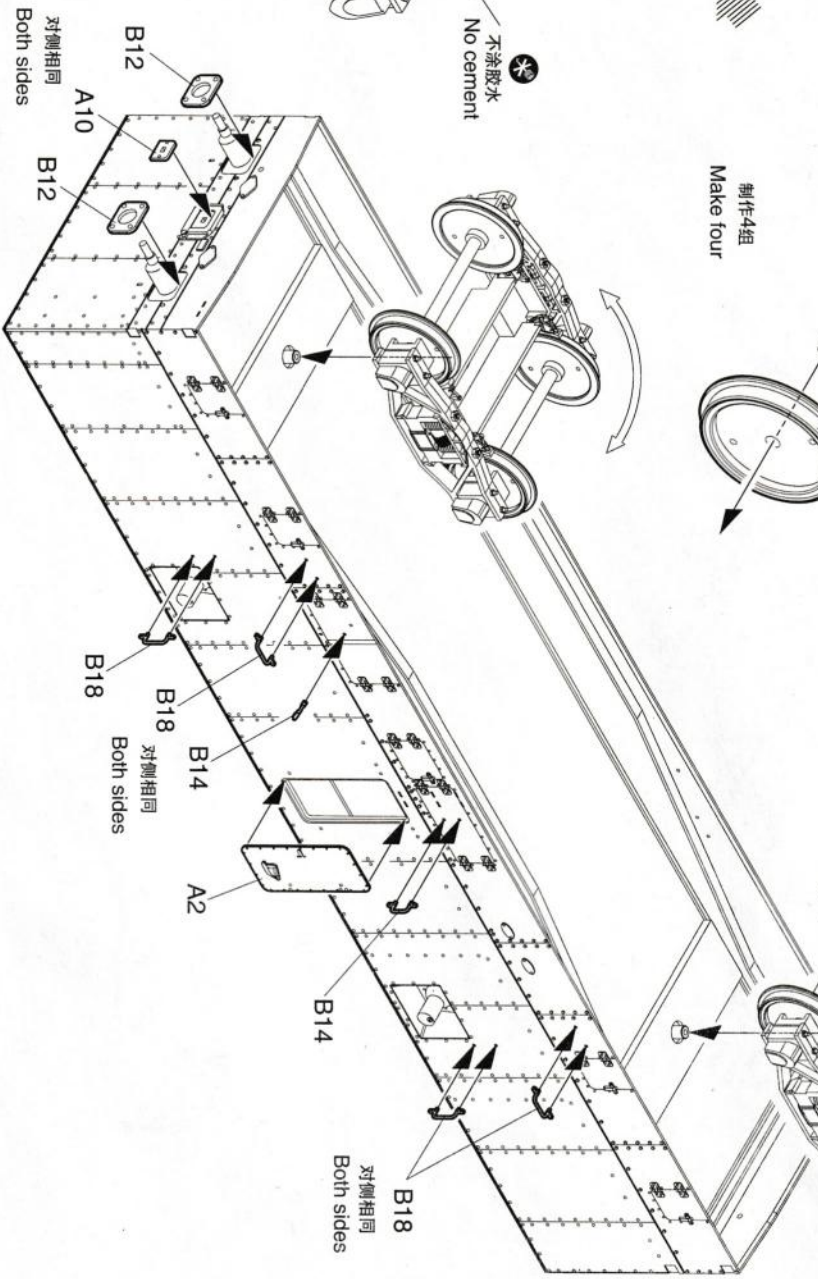
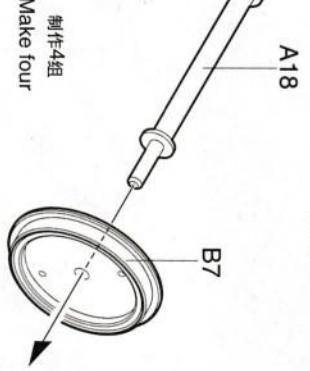
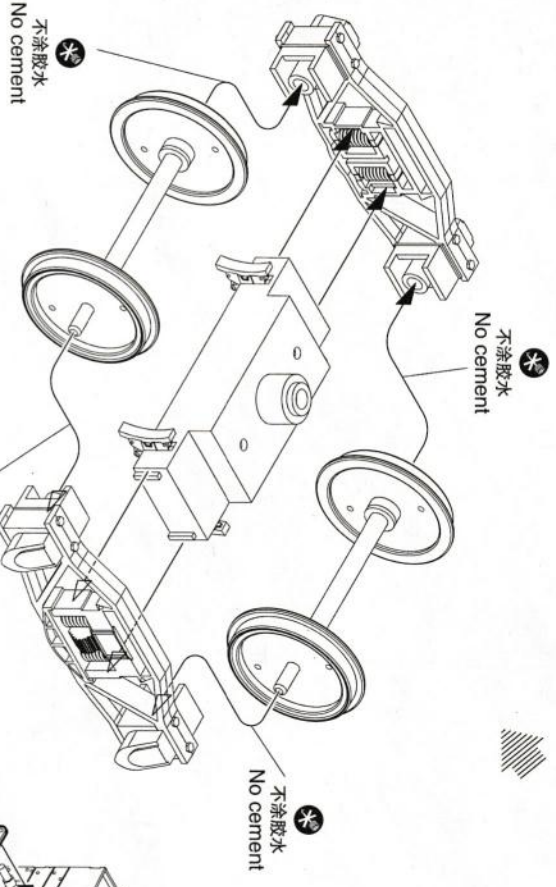
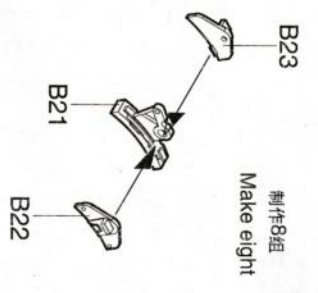
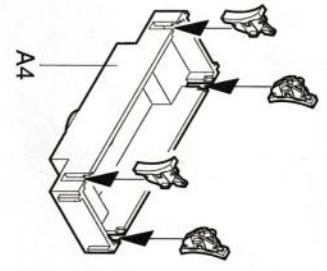
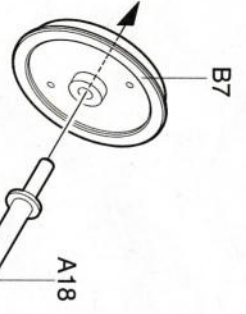
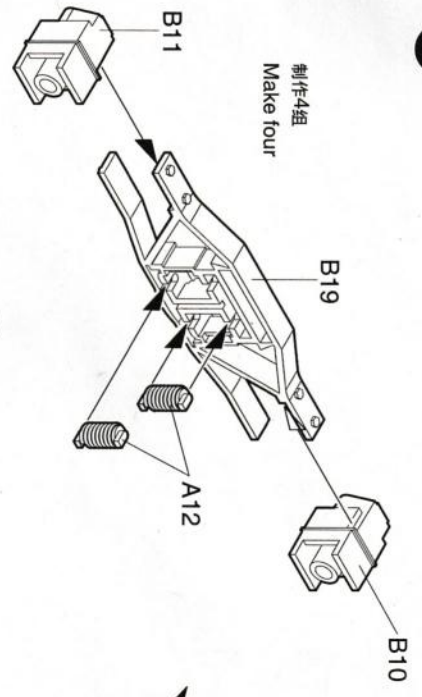
3

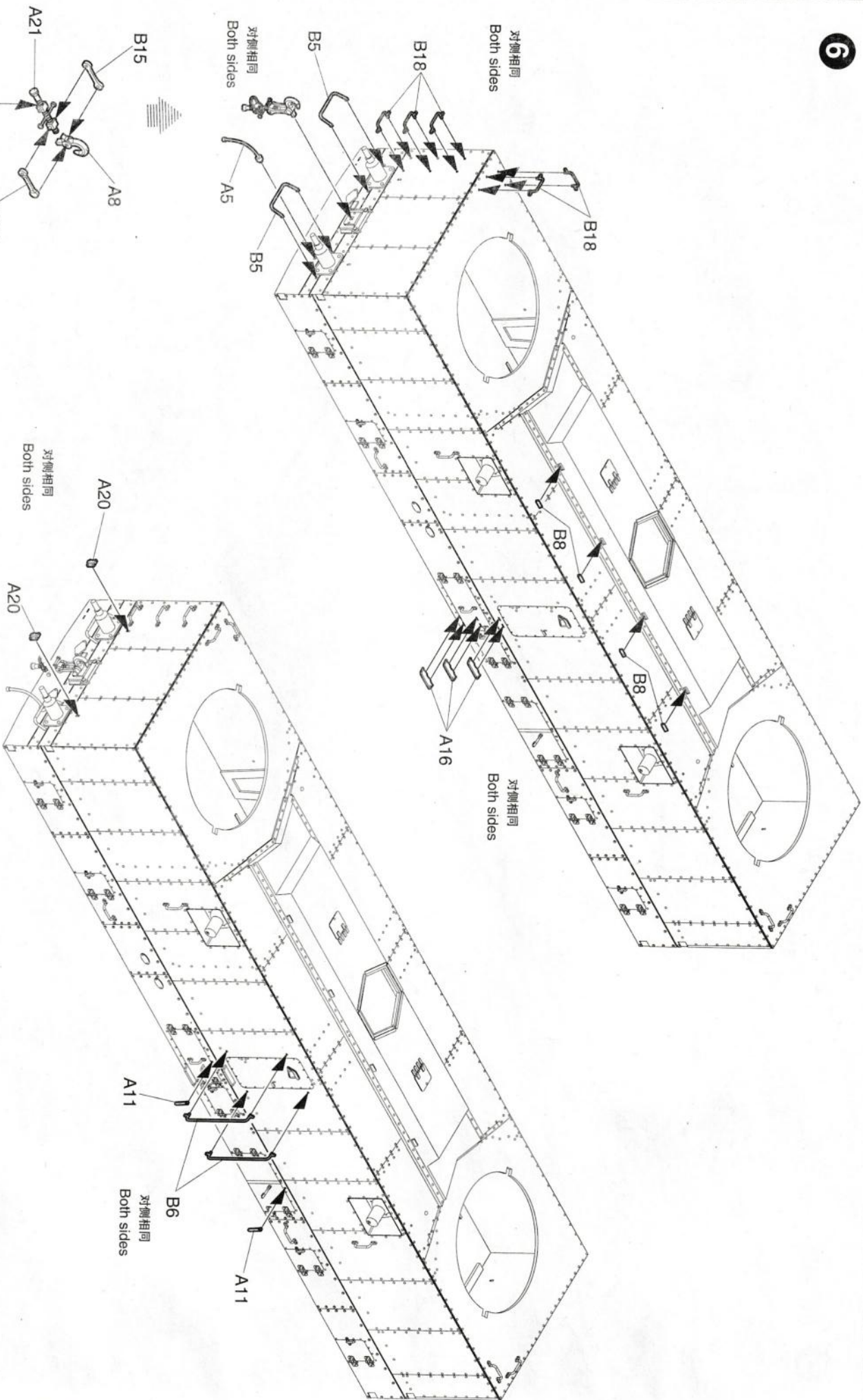


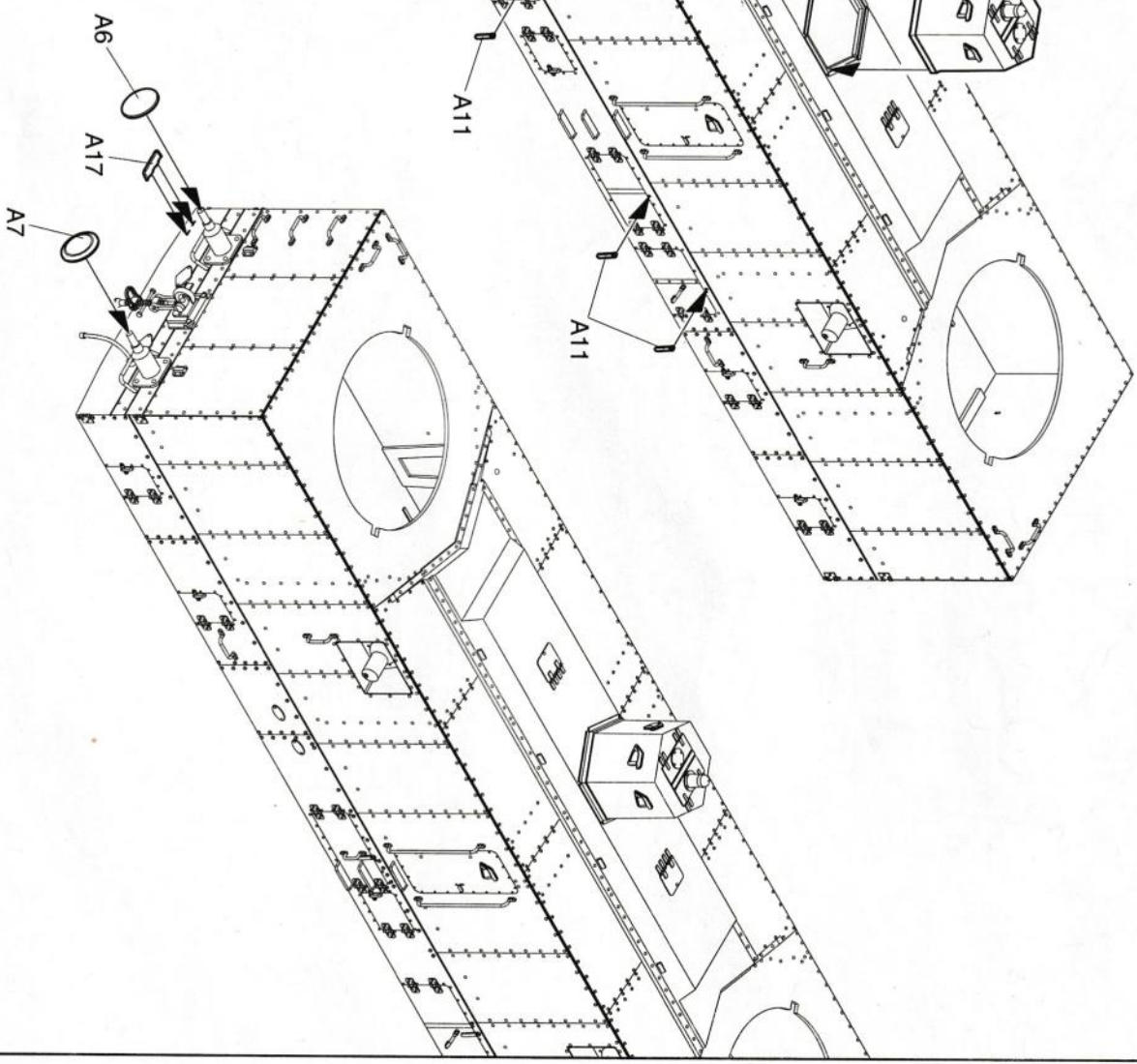
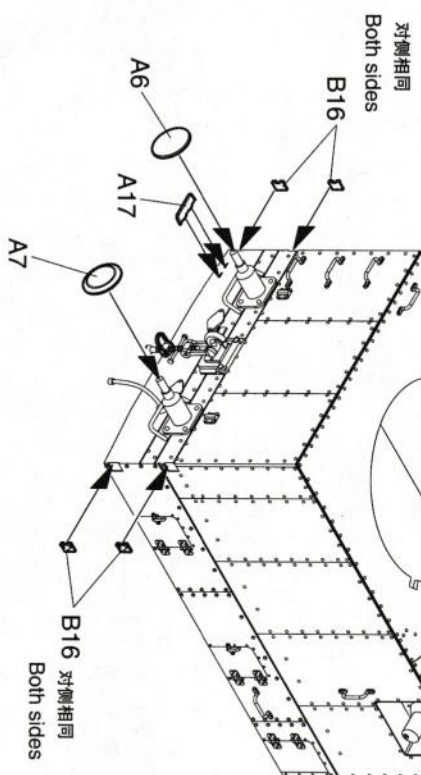
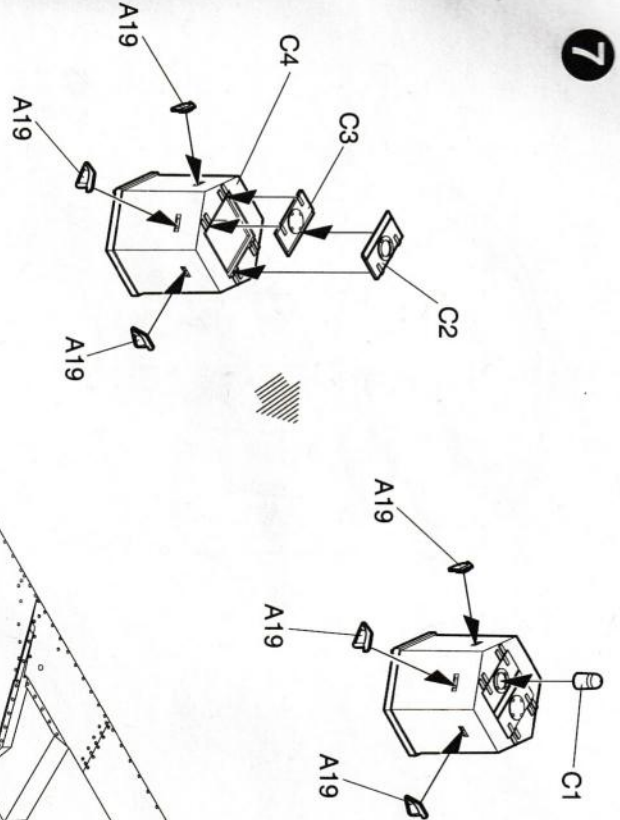


5

制作4组
Make four



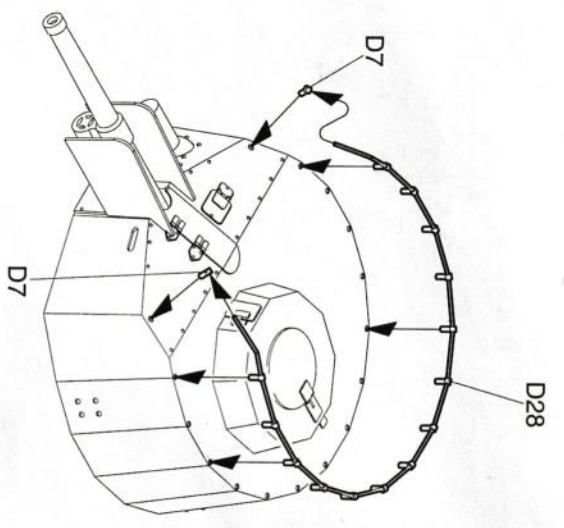
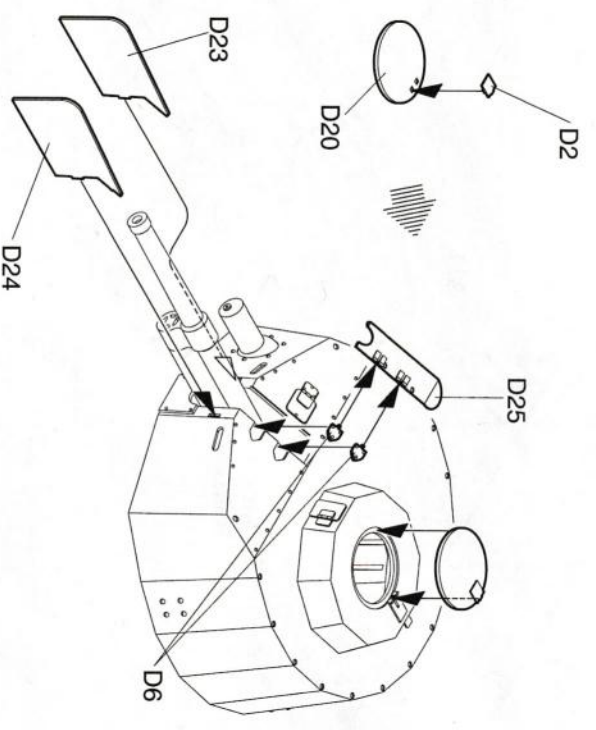
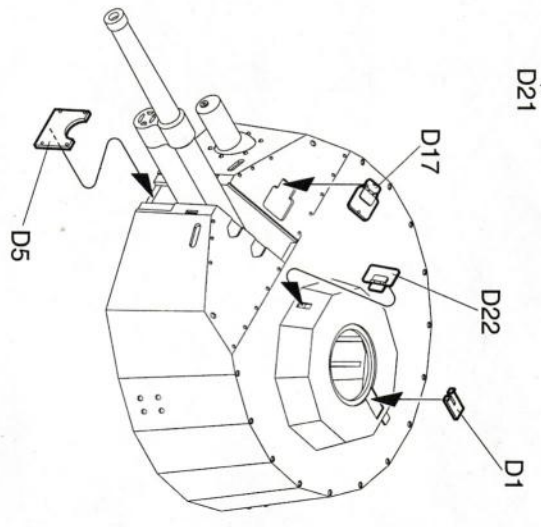
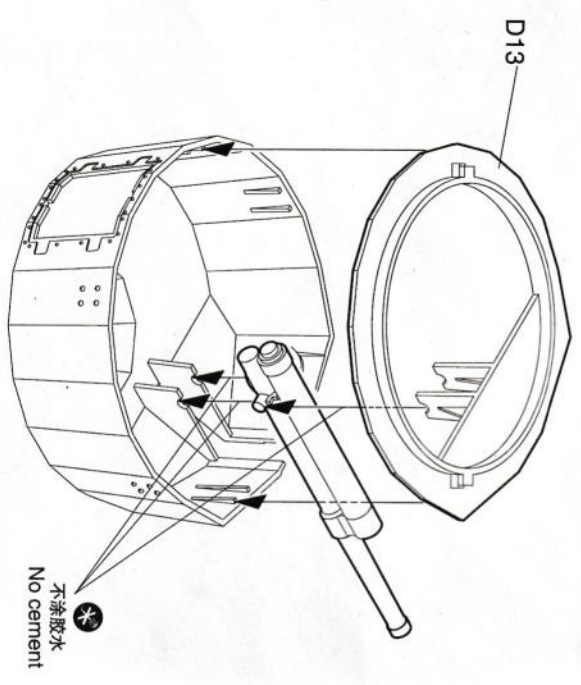
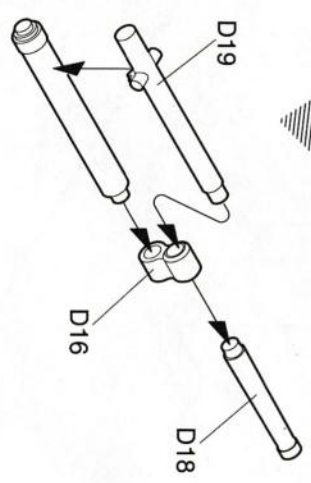
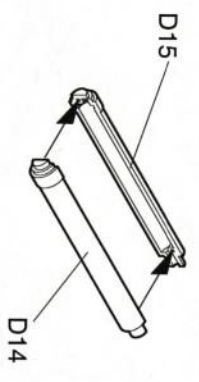
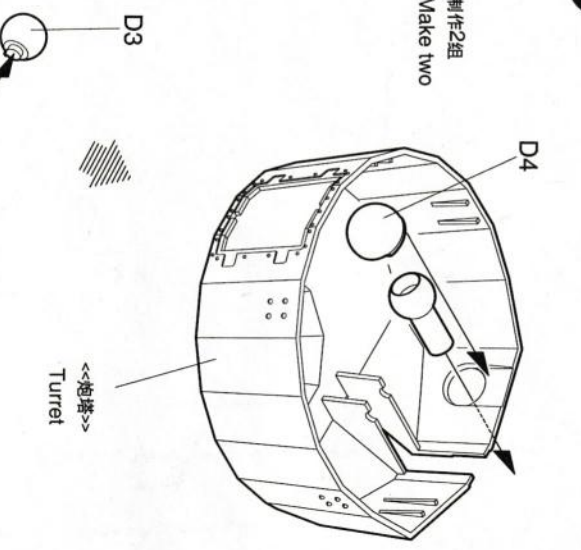




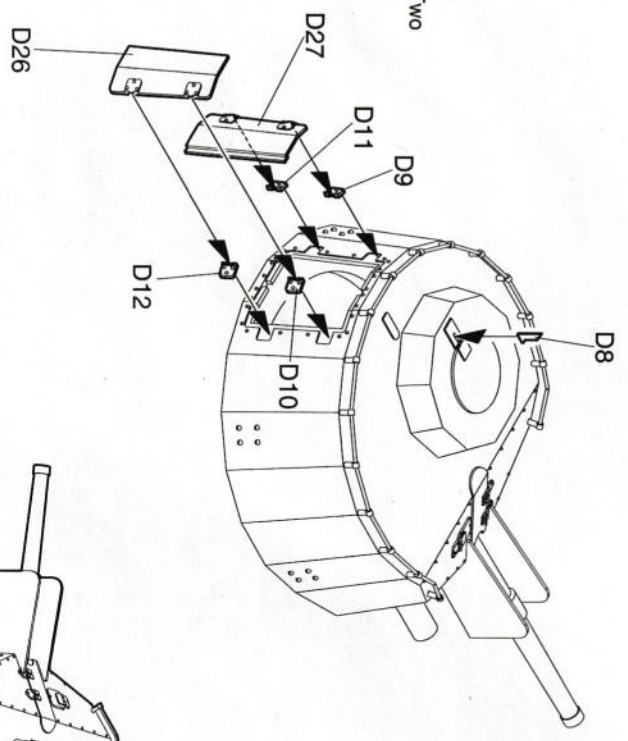
8

制作2组
Make two

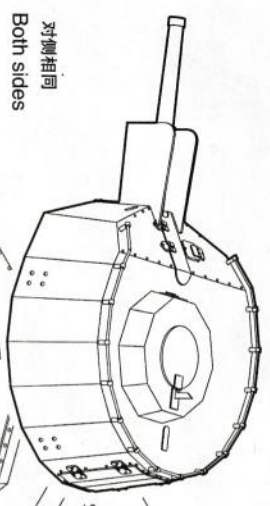
<<炮塔>>
Turret



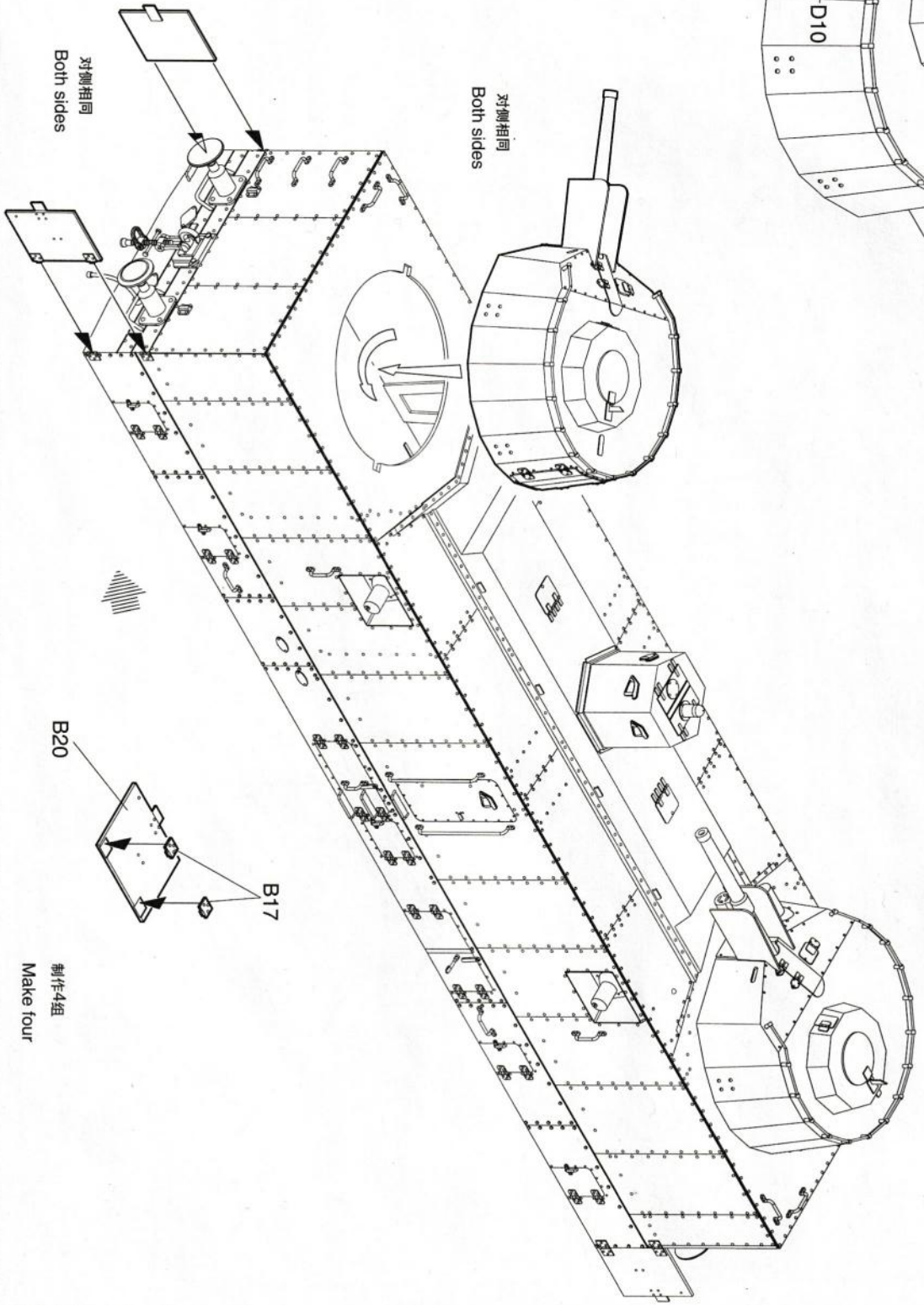
制作2组
Make Two



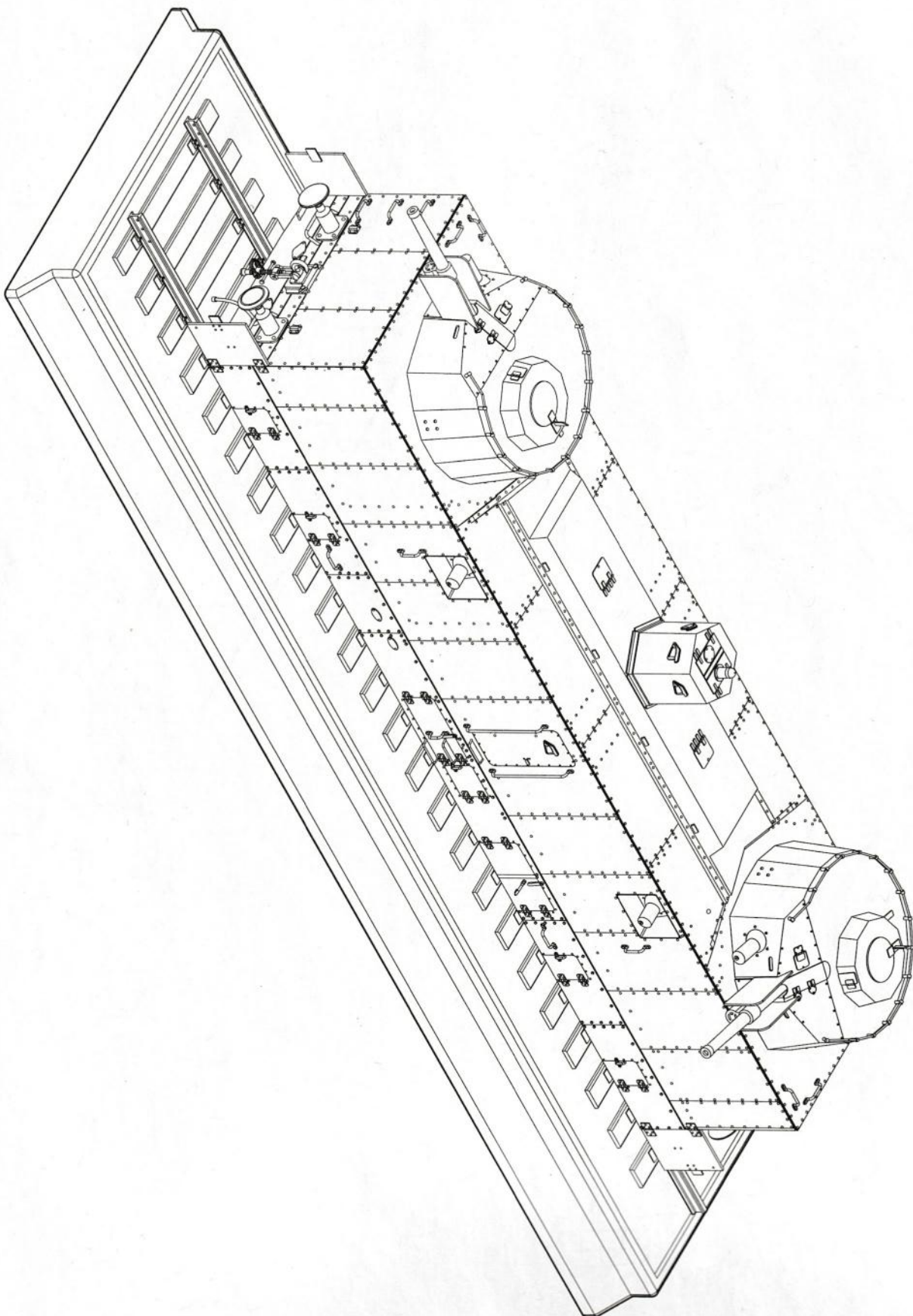
对侧相同
Both sides



对侧相同
Both sides



制作4组
Make four



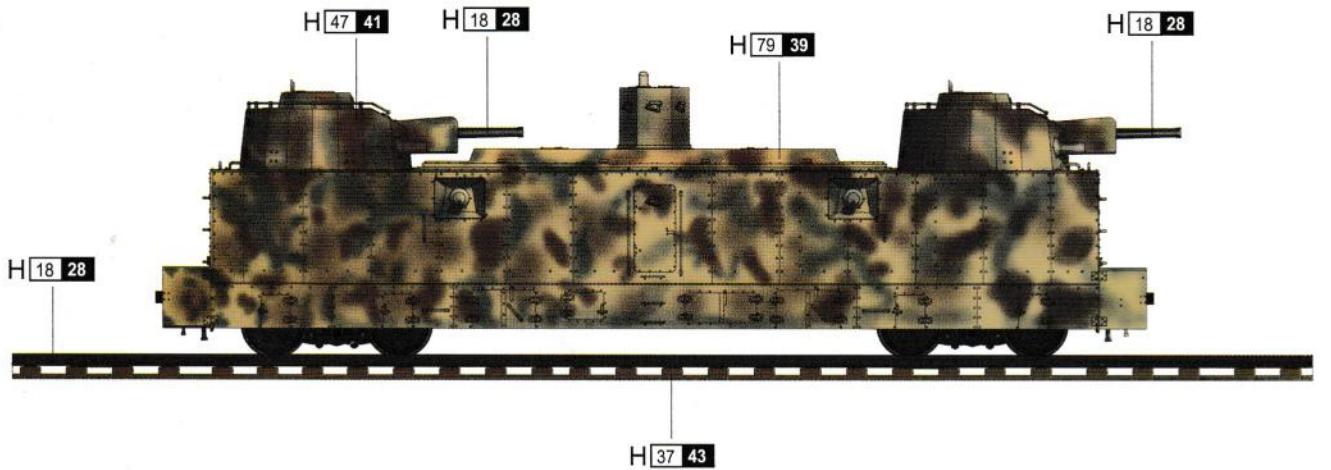
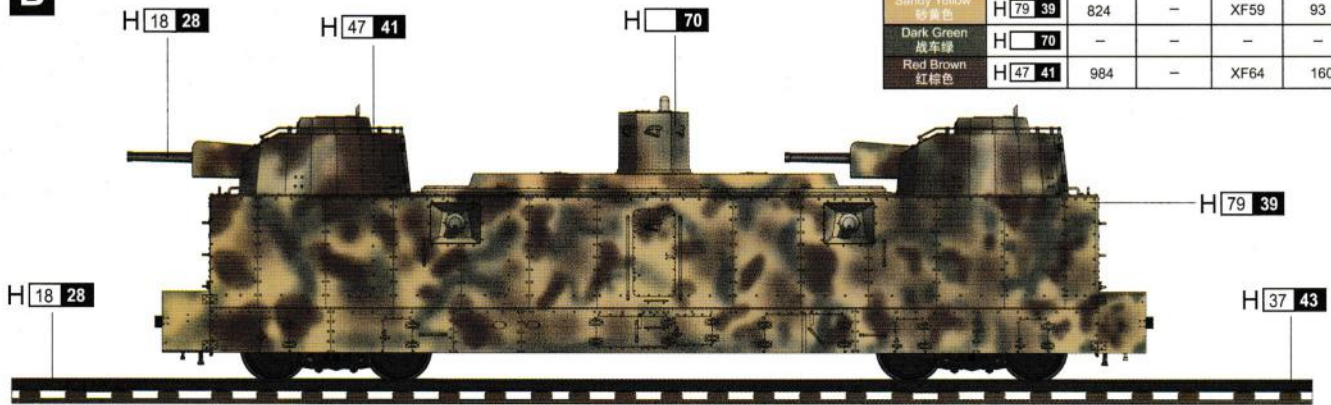
涂装同标贴指示

Painting & Marking guide

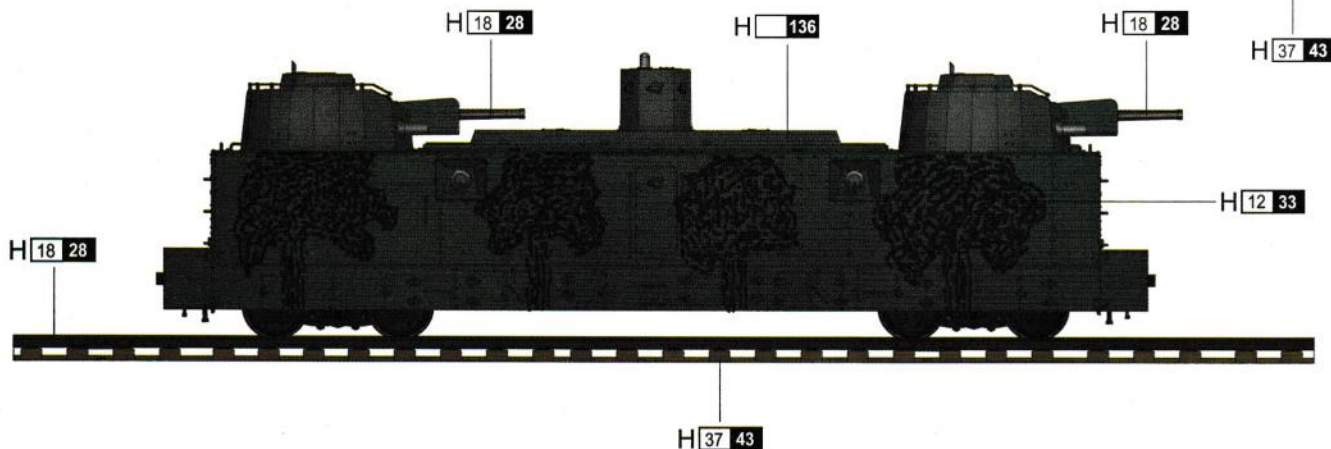
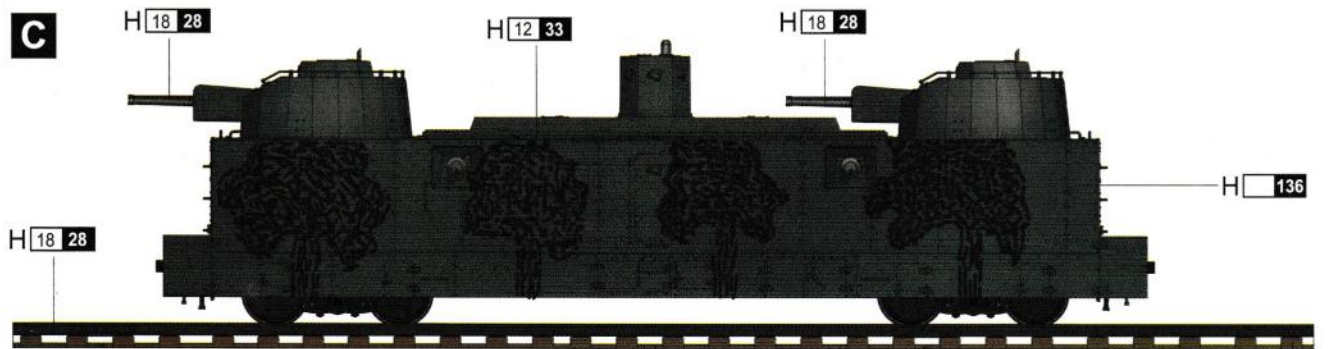
PAINT REFERENCE COLOUR

Color	Mr.Hobby	Vallejo	Model Master	Tamiya	Humbrol
Metal Black 黑灰色	H 18 28	864	1402	-	-
Wood Brown 木棕色	H 37 43	983	1701	-	186
Flat Black 消光黑	H 12 33	950	1749	XF1	33
Russian Green(2) 苏联绿	H 136	823	-	-	-
Sandy Yellow 沙黄色	H 79 39	824	-	XF59	93
Dark Green 深军绿	H 70	-	-	-	-
Red Brown 红棕色	H 47 41	984	-	XF64	160

B



C



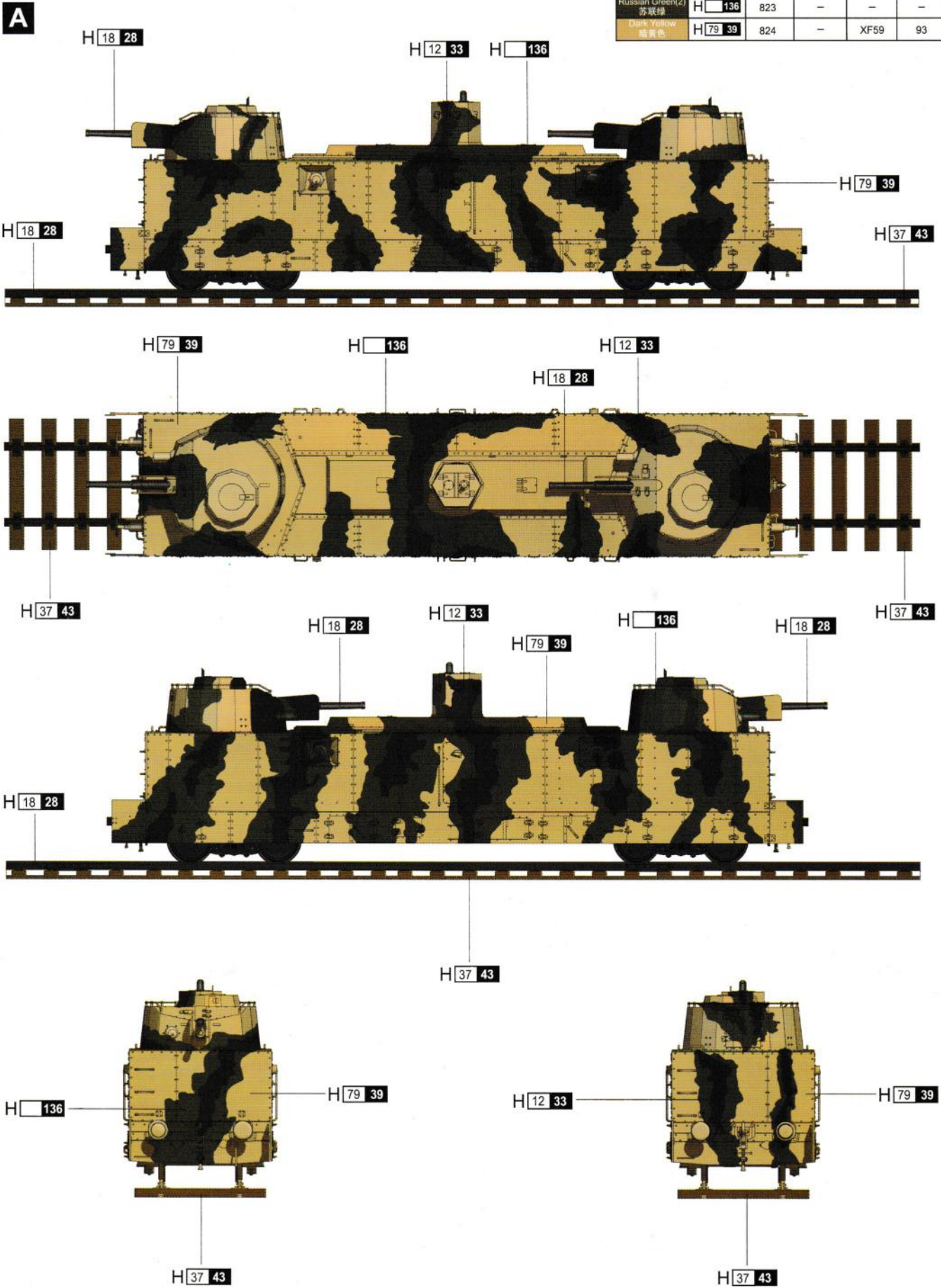
H □ AQUEOUS HOBBY COLOR ■ Mr. COLOR

涂装同标贴指示

Painting & Marking guide

PAINT REFERENCE COLOUR

Color	Mr.Hobby	Vallejo	Model Master	Tamiya	Humbrol
Metal Black 黑灰色	H 18 28	864	1402	—	—
Wood Brown 木棕色	H 37 43	983	1701	—	186
Flat Black 消光黑	H 12 33	950	1749	XF1	33
Russian Green(2) 苏联绿	H 136	823	—	—	—
Dark Yellow 暗黄色	H 79 39	824	—	XF59	93



H □ AQUEOUS HOBBY COLOR ■ Mr. COLOR