



US M19 Tank Transporter with Soft Top Cab

美国M19软顶牵引车

PLEASE READ BEFORE OPERATION!

- * Tools recommended as below: (Not included)
Adhesives; Paints; Side Cutters; Sharp Edged Pliers; Modeling Knife; Modeling File; Nippers; Drill; Scissors; Sand Paper; Soft Cloth; Cyanoacrylate Glue.
- * Make sure to read this instruction listed below before assembling.
- * The kit contains the small parts, they can be dangerous if swallowed by mistake, so keep them away from reach of children.
- * Cut the all parts off carefully and remove the waste parts into the garbage can.
- * More caution and care should be needed for cutting and handling the photo etched parts.
- * Make attention that some parts should be attached the decal when assembled.
- * During assembling, please tear up and throw away the plastic bags, or may cause the dangerous if wearing over head by children's mistake.
- * When using the adhesives and paints, please do not use them in the closed room or near the fire, also must be very careful to protect your eyes, face and clothes.
- * Adult supervised when assembled by children under 14 years old.

装配前请仔细阅读:

- * 推荐使用的模型工具(请自备):
专用模型胶水, 专用模型油漆, 水口剪刀, 长咀钳, 刀片, 锉刀, 镊子钳, 钻, 剪刀, 软布, 砂纸, 瞬间快干胶等。
- * 用水口剪刀或刀片小心切下所有塑胶零件和蚀刻片零件, 不要遗失小零件。
- * 切取蚀刻片时应特别注意防止利边划伤手指。
- * 用模型锉刀小心锉平所有零件表面的注射浇口。
- * 用适量的强力快干胶水粘合蚀刻片零件和金属轴, 切忌过量, 否则可能导致可动零件被粘住。
- * 注意某些零件表面需在装配时同步贴水上贴纸。
- * 制作时应远离幼儿并将包装袋及时收妥, 谨防小孩玩耍而引起意外。

The method to apply the decals

1. Cut off the decal from the decal paper and put it into the warm water 40°C for 10 seconds.
2. Take the decal from the water and put it on a piece of clean cloth.
3. Remove the decal slowly from the paper to the targeted location by a wet finger.
4. Use a piece of dry and soft cloth to press it gently on the decal until it getting dry and no bubble existing.

水贴纸的使用方法:

- 一. 把相关的印花从水贴上剪下, 放入40°C左右的温水中浸10秒。
- 二. 然后将印花放在干净的布上。
- 三. 拿上印花纸, 手指蘸水将印花移到适当的位置。
- 四. 用软干布轻压印花直至水干, 气泡消失。



强力胶
Cyanoacrylate glue



配重
Weight



选择
Option



锉平
File/Sand



不涂胶水
No cement



弯曲
Bend



切除
Cut/Remove



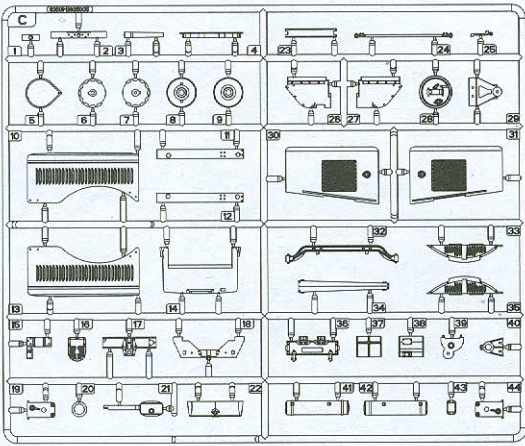
钻孔
Make hole



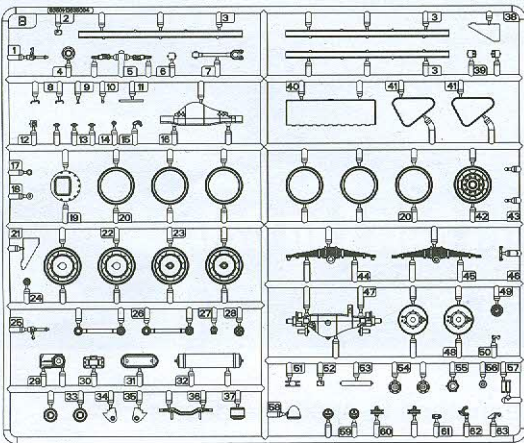
贴纸
Decal

部品图 Parts List

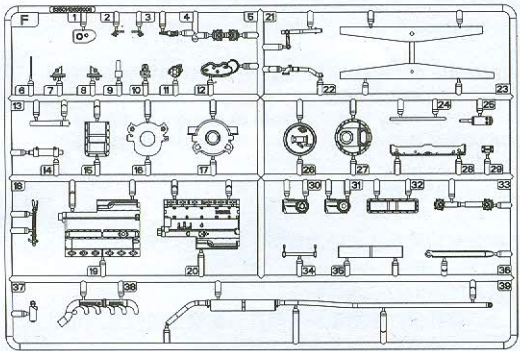
C



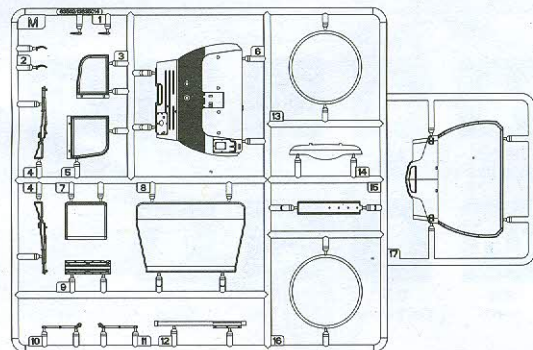
BX2



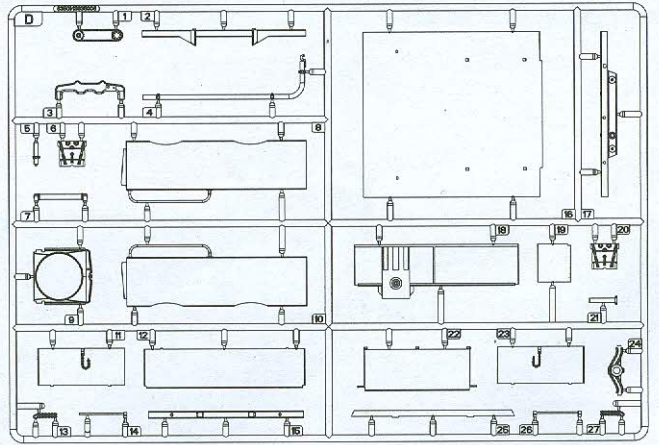
F



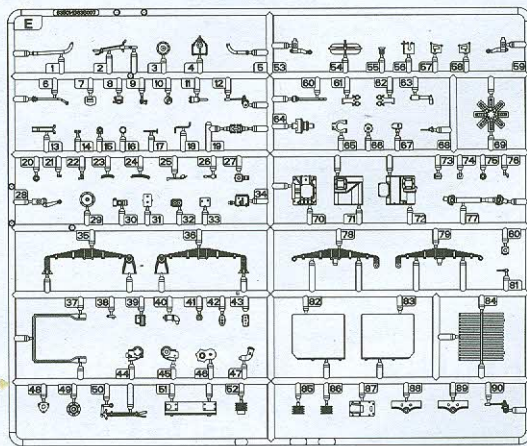
M



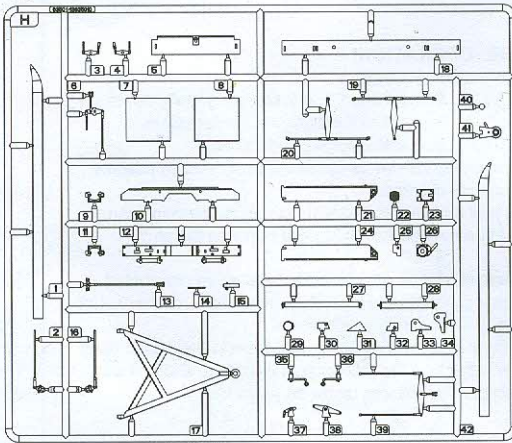
D



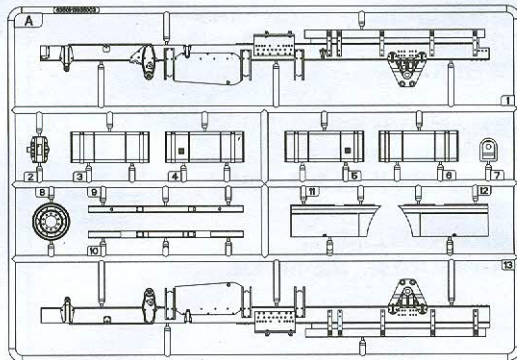
E



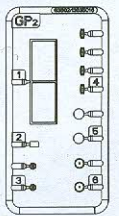
H



A



GP



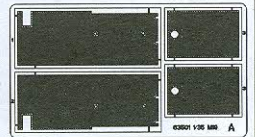
轮胎IX1
Tyre 1



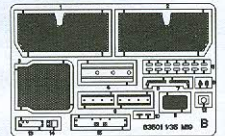
轮胎2X26
Tyre 2



蚀刻片A
PE1

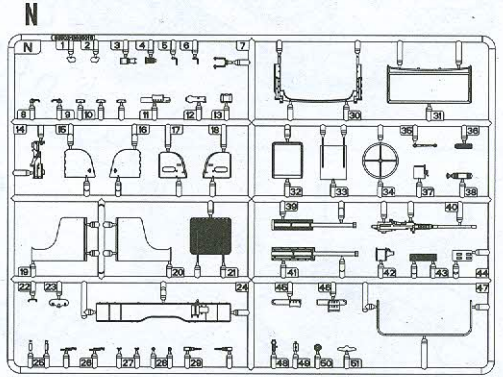
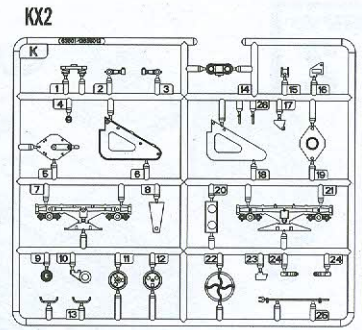
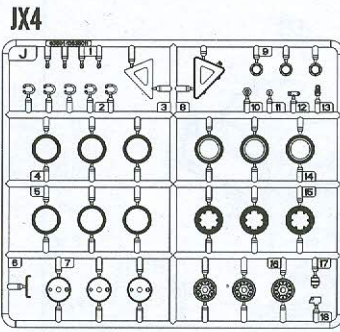
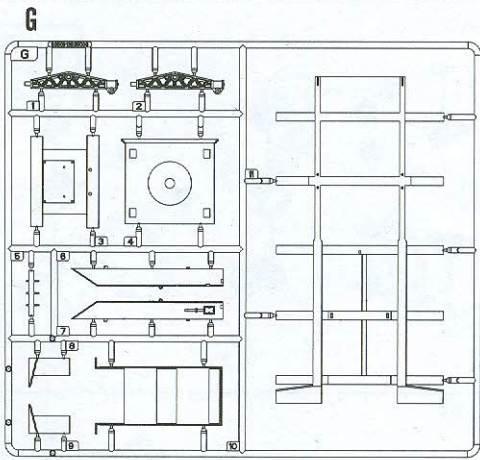


蚀刻片B
PE2



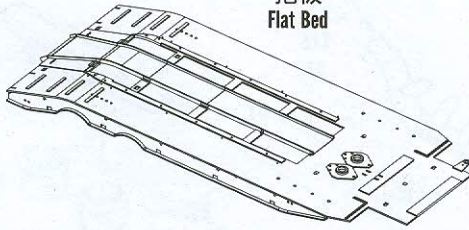
水贴
Decal



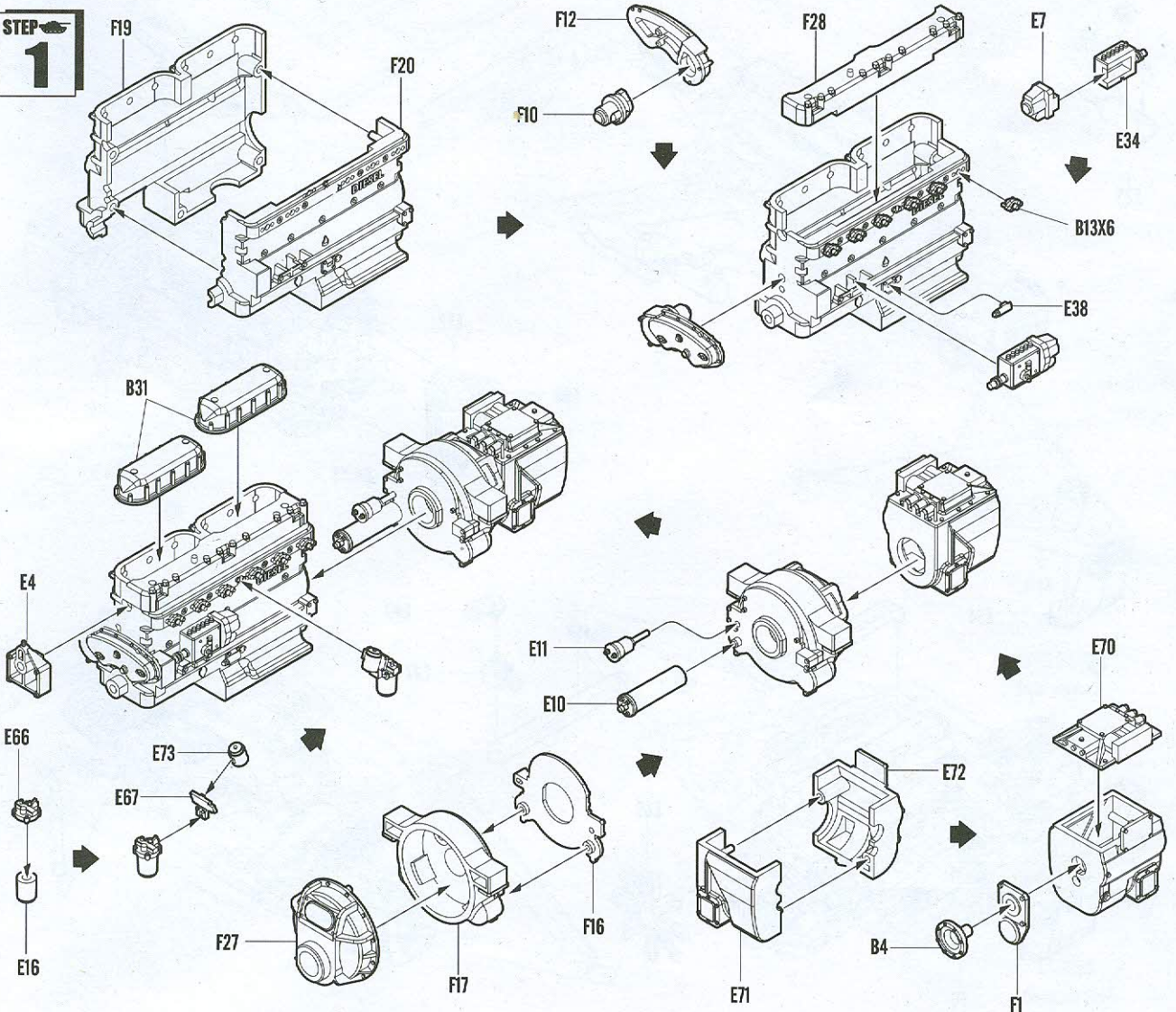


棉绳: \varnothing . 6X1000mm
Thread

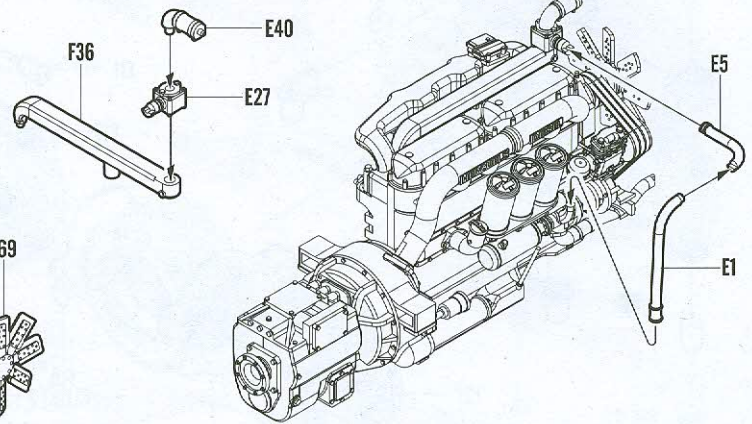
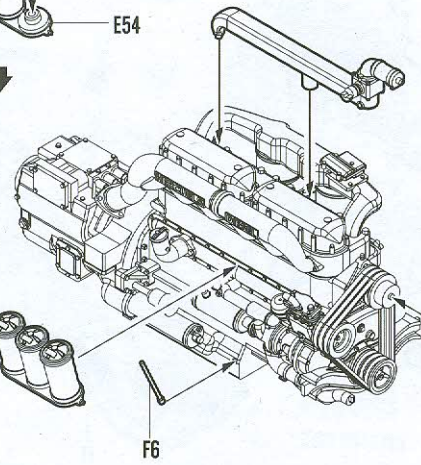
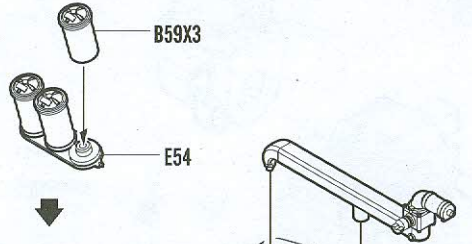
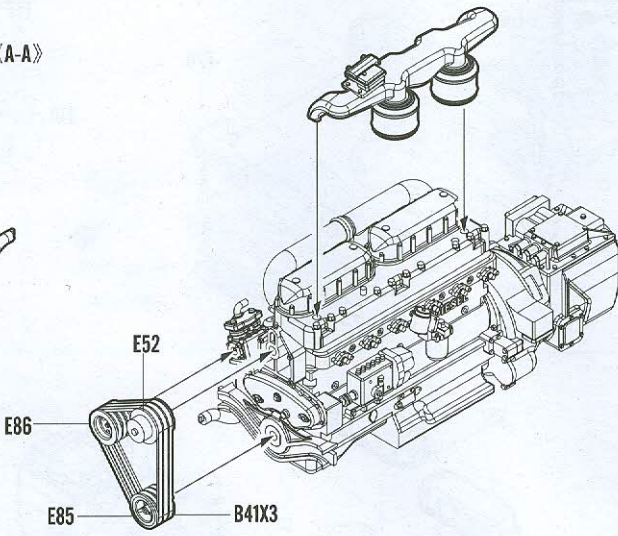
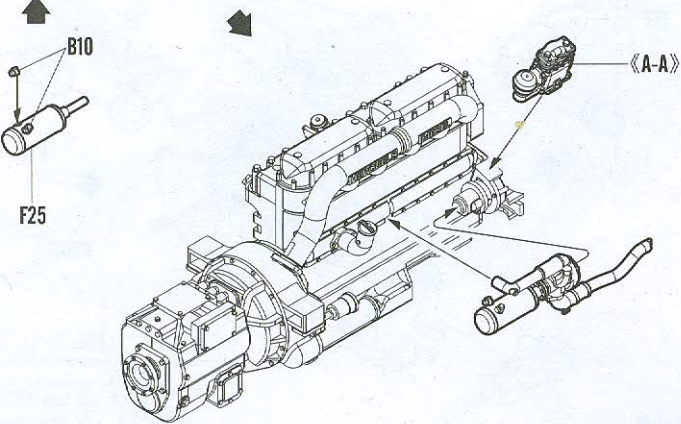
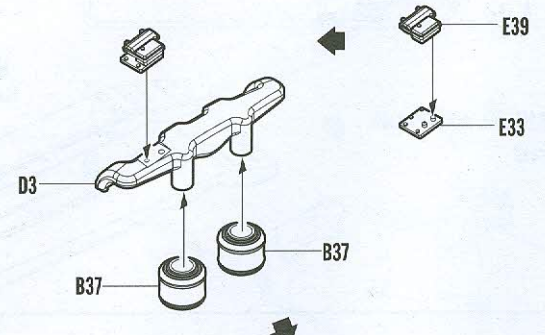
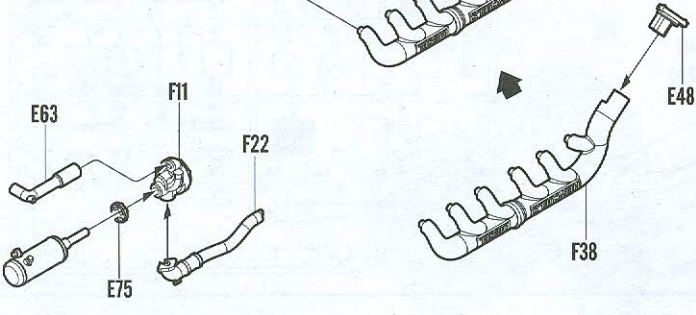
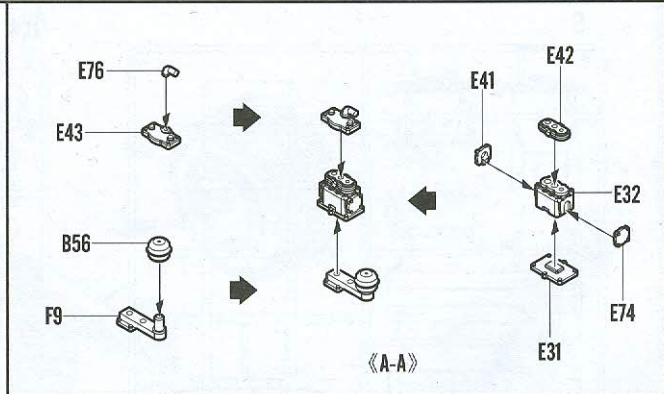
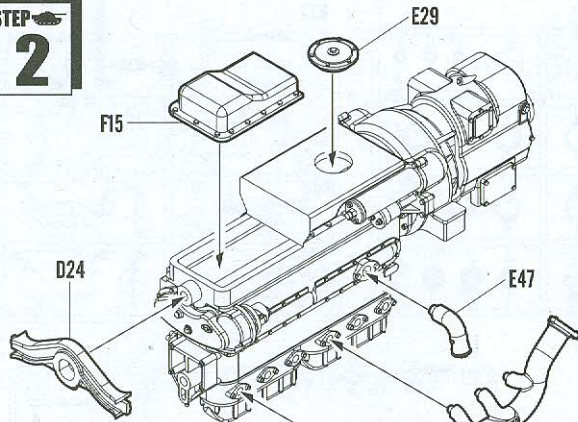
拖板
Flat Bed



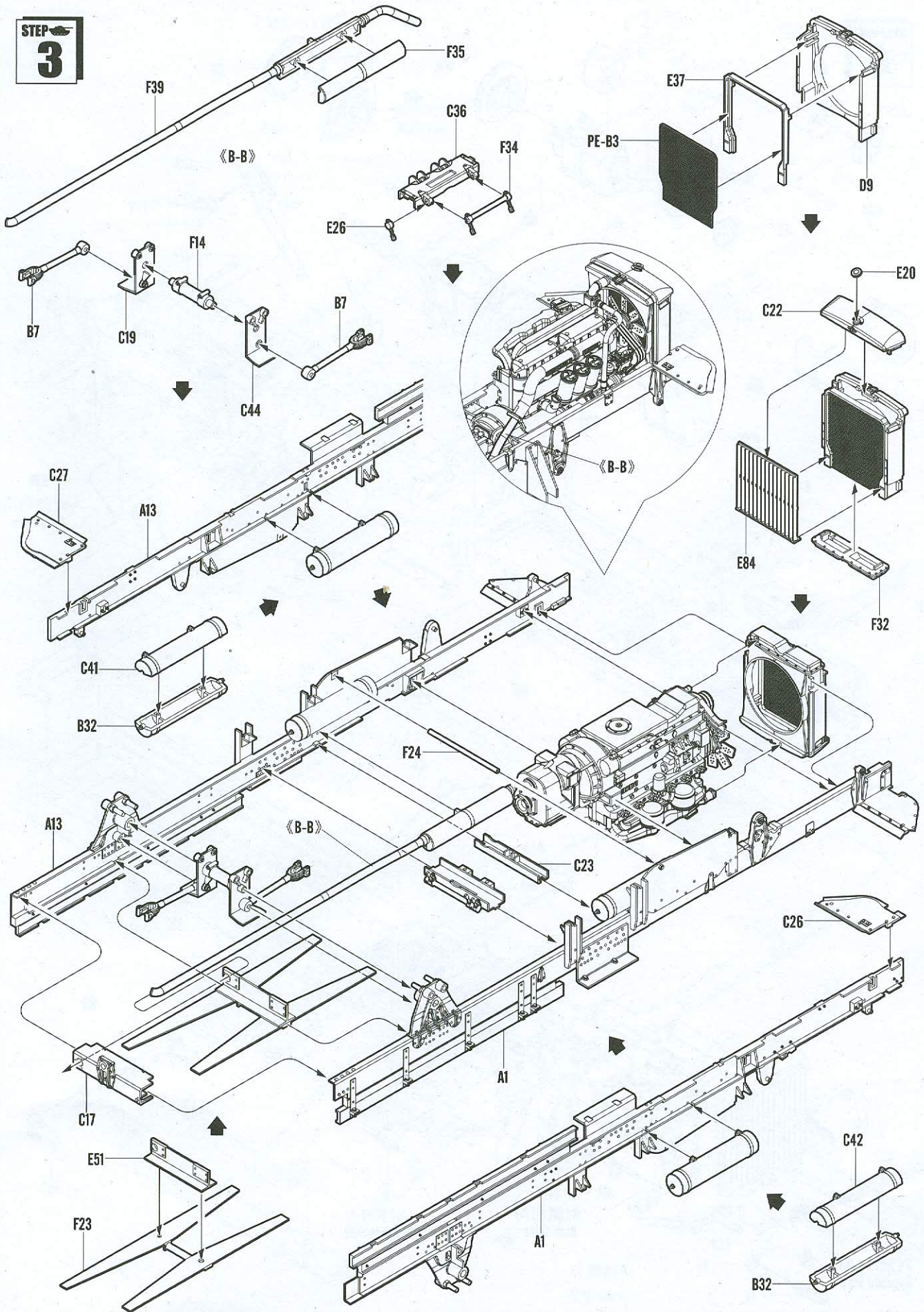
STEP 1



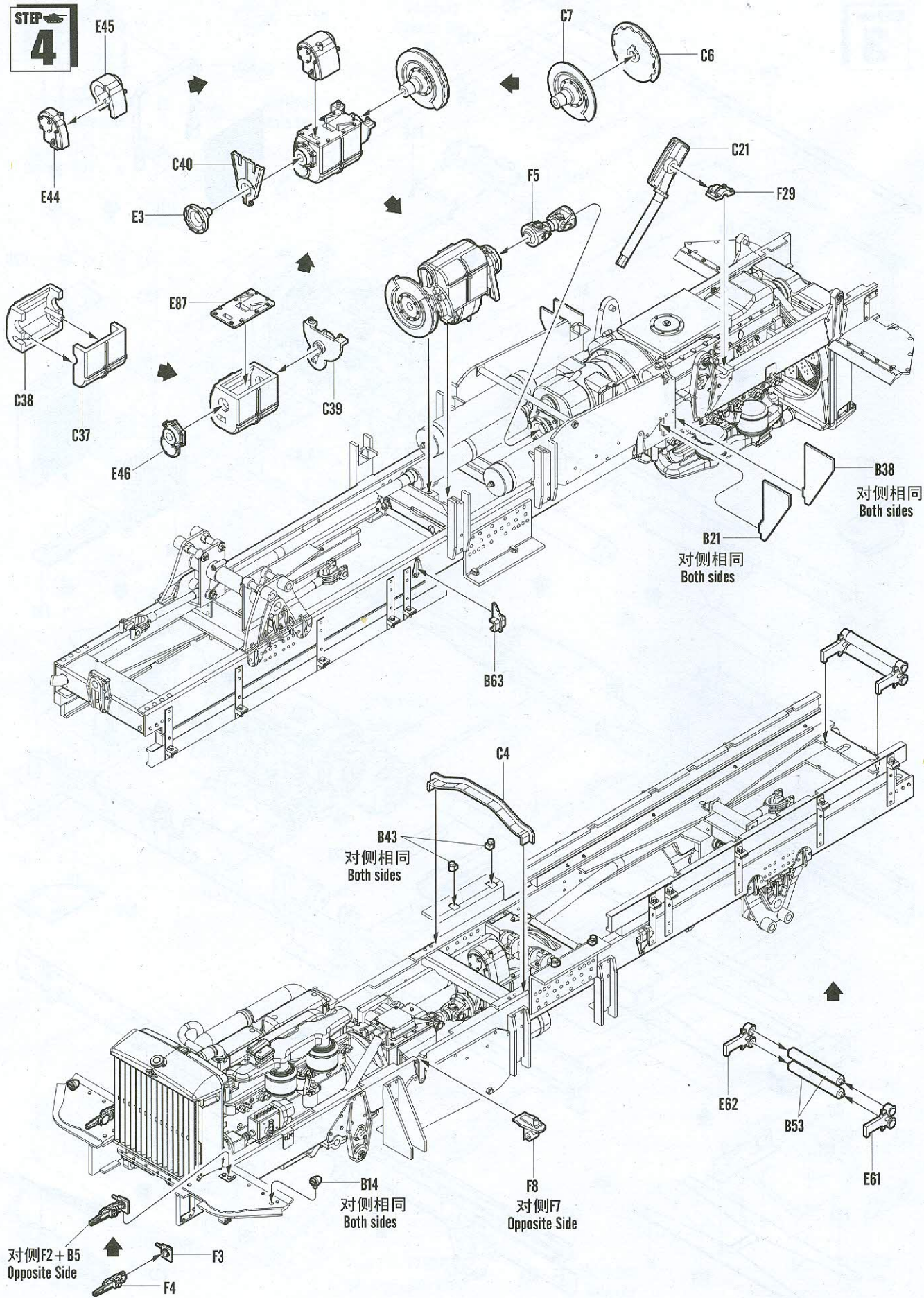
STEP
2



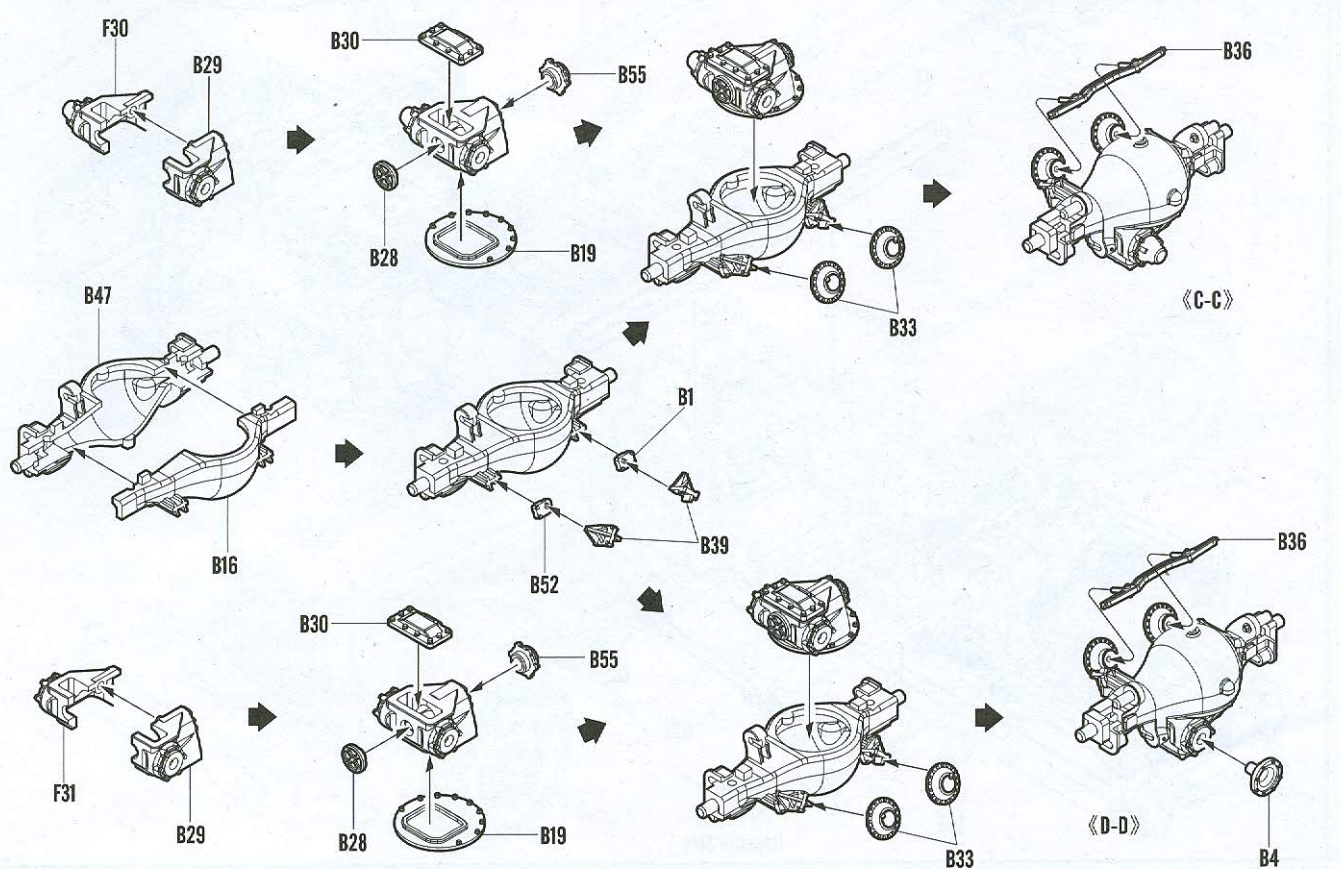
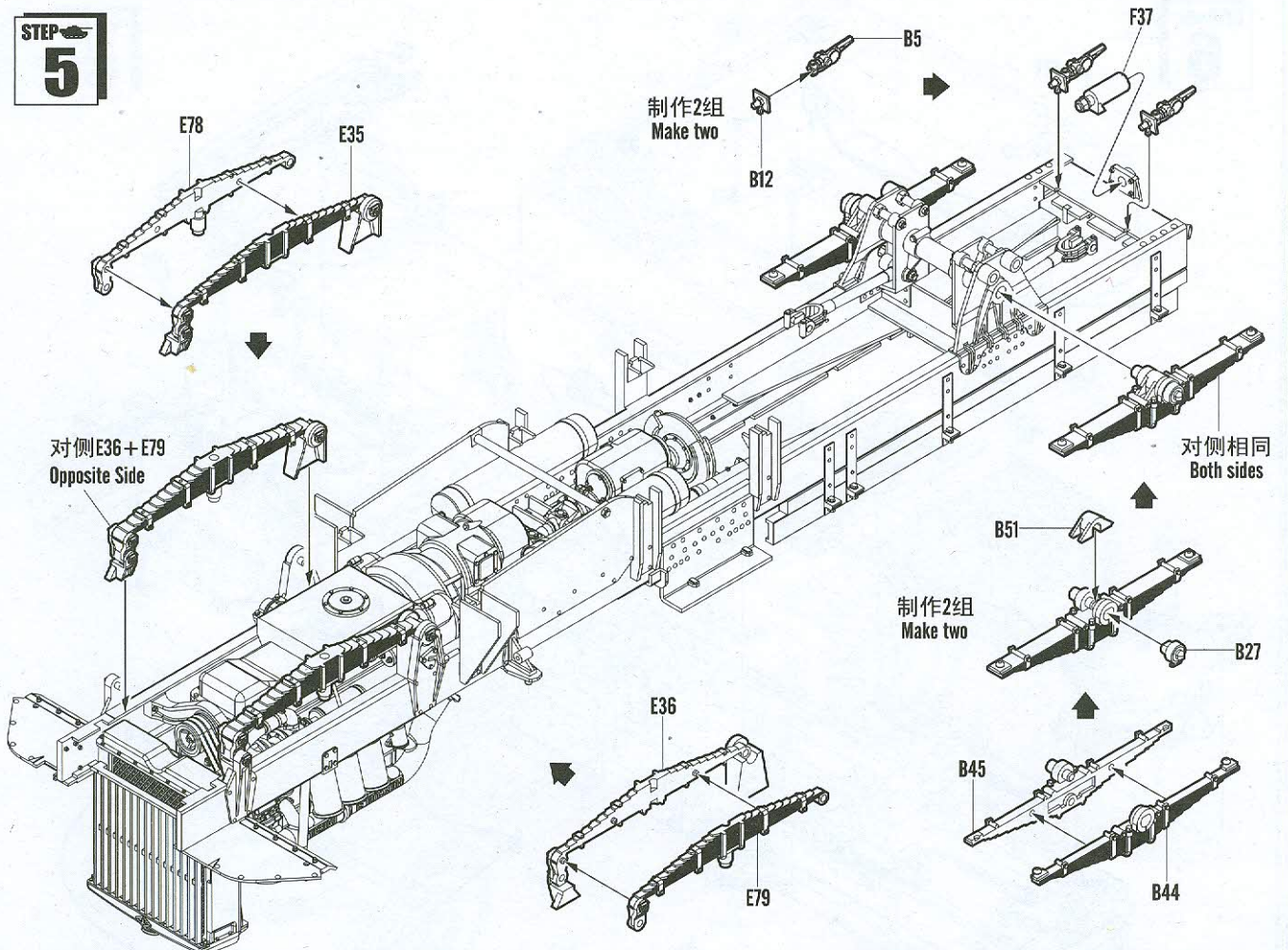
STEP
3



STEP
4

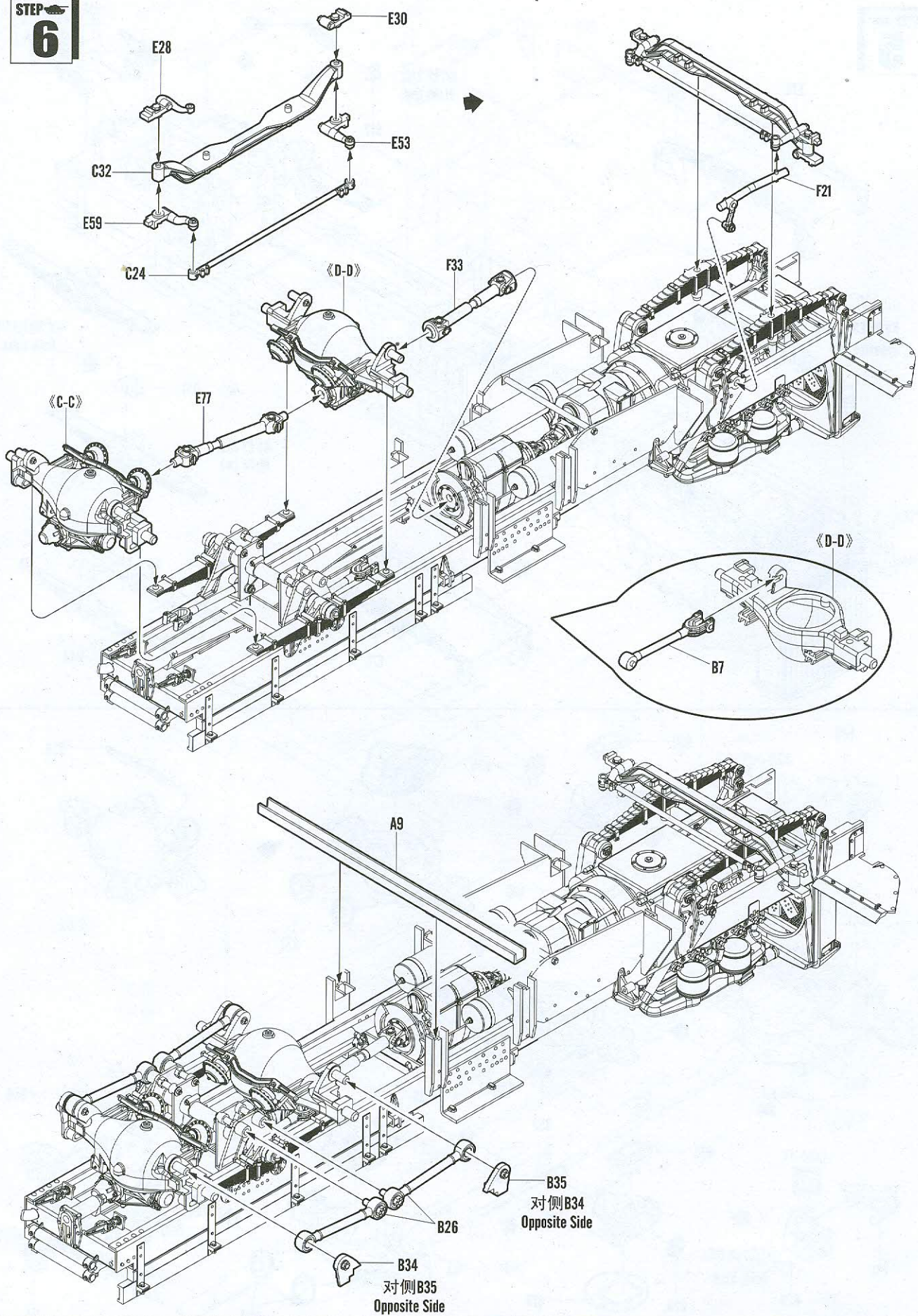


STEP
5

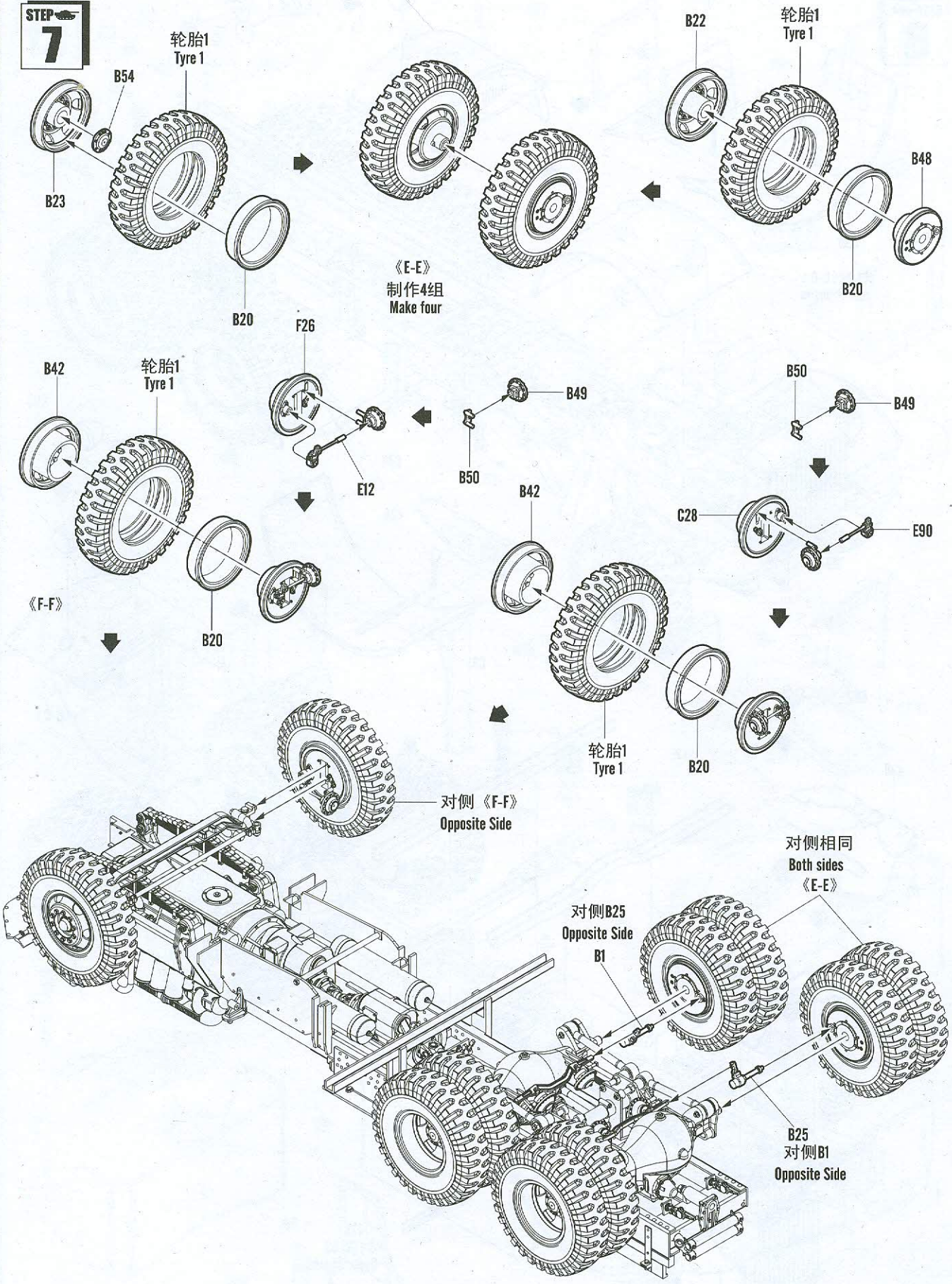


STEP

6

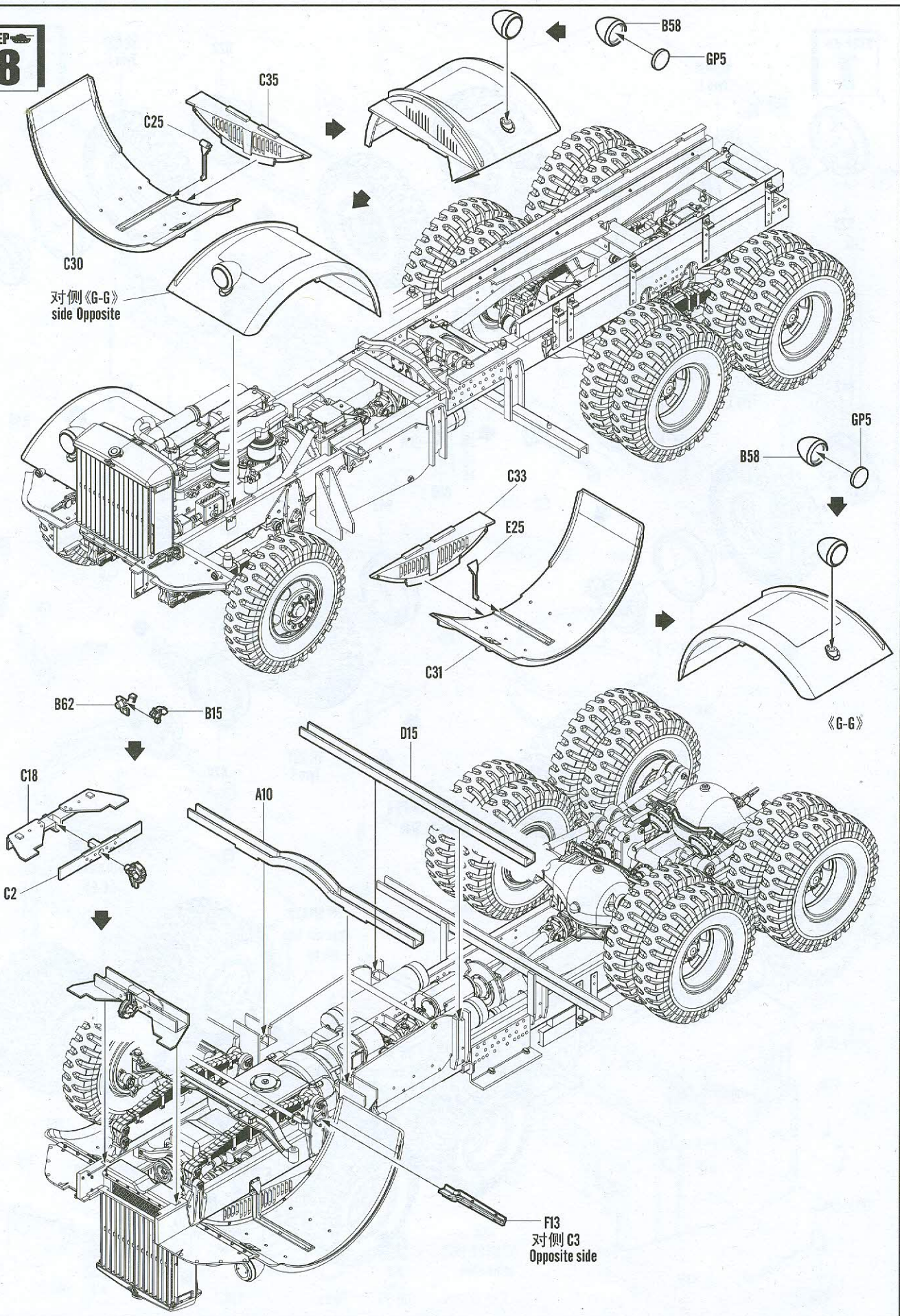


STEP
7



STEP

8



STEP
9

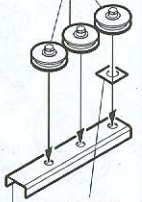
对侧PE-A2 + E83
Opposite Side

E82



弯曲
Bend
PE-A1

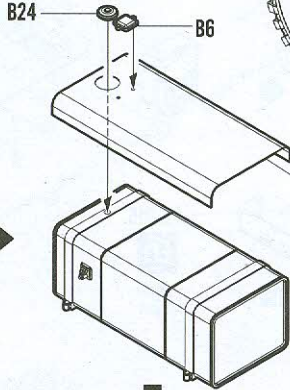
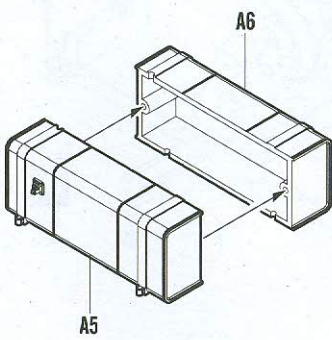
B60



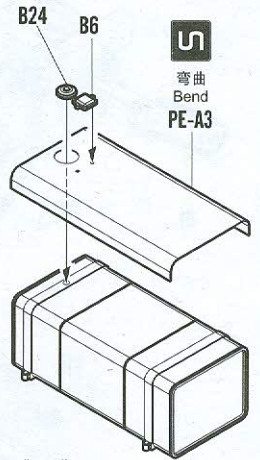
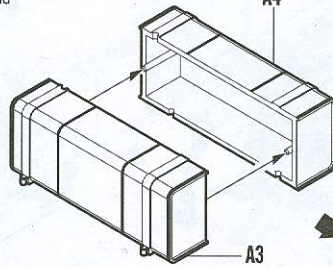
PE-B12



弯曲
Bend
PE-B4



弯曲
Bend
PE-A3



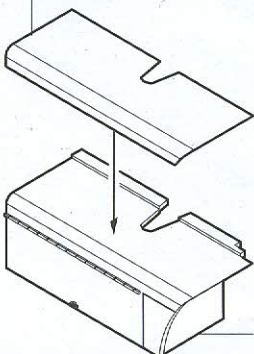
弯曲
Bend
PE-A3

对侧《H-H》
Opposite Side

《H-H》

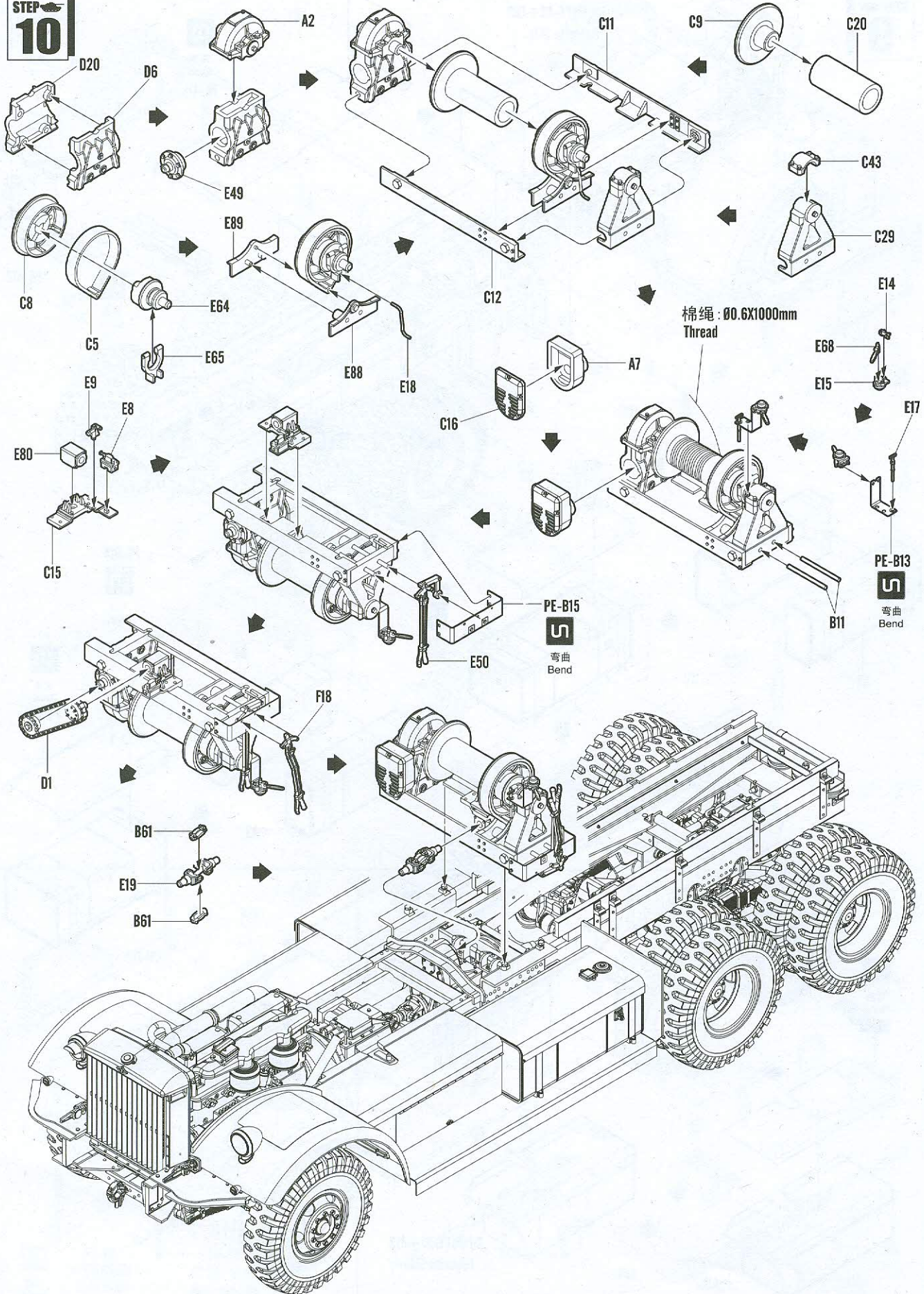


弯曲
Bend
PE-B2

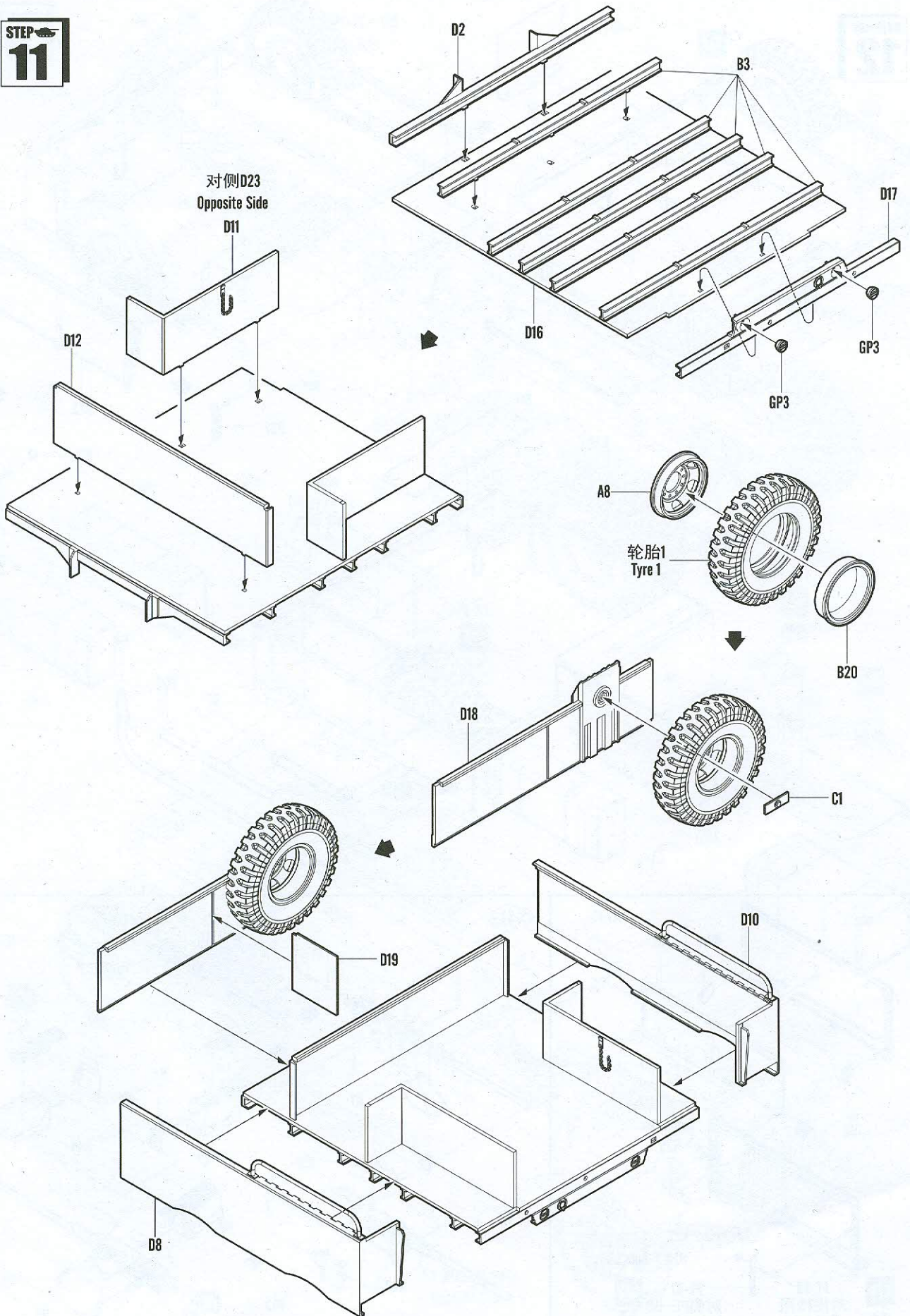


对侧PE-B1 + A12
Opposite Side

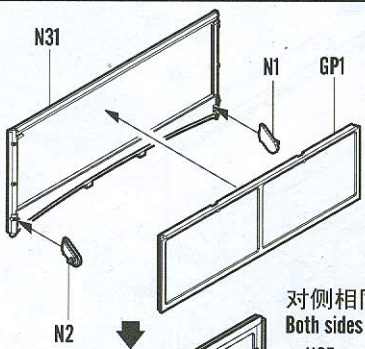
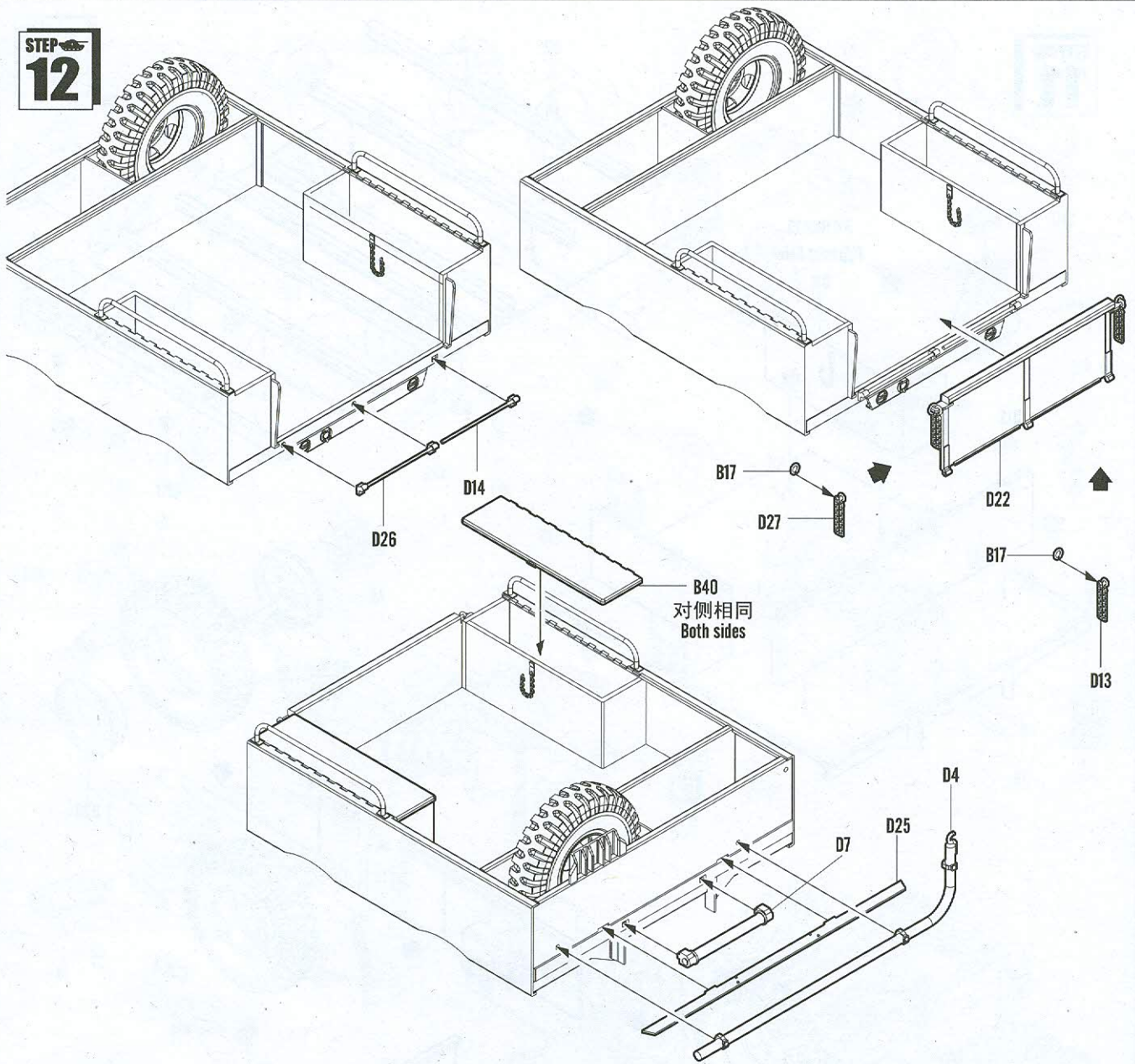
STEP
10



STEP
11

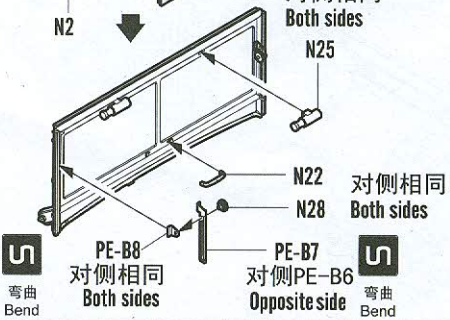


STEP
12



《I-I》

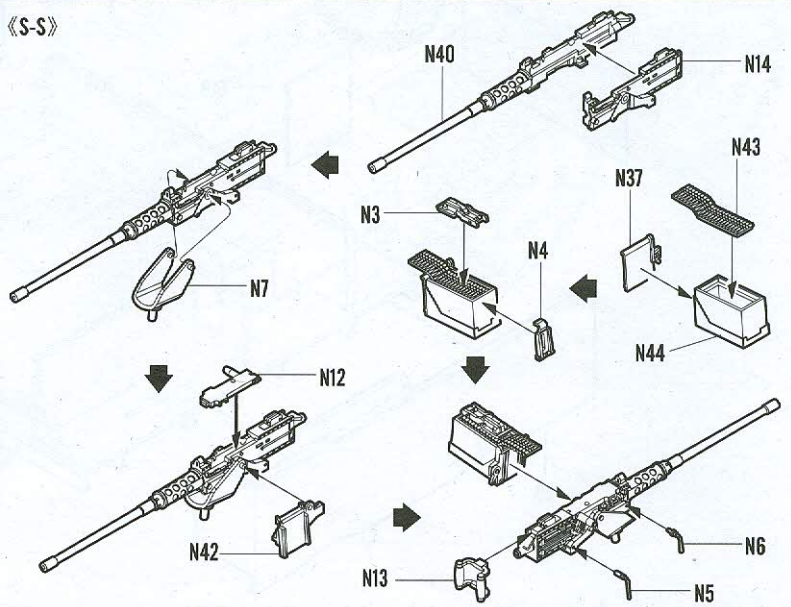
对侧相同
Both sides



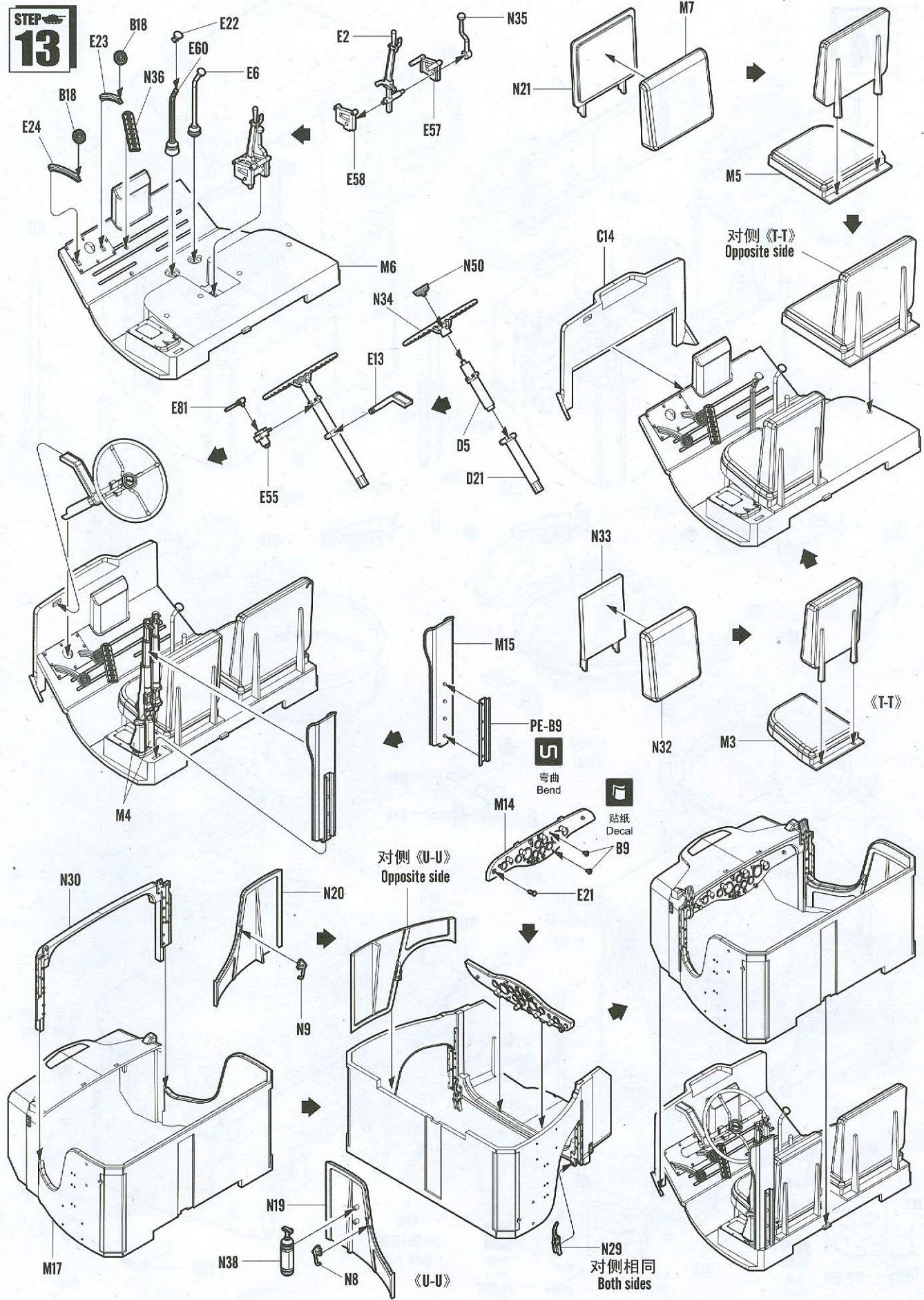
S
弯曲
Bend

S
弯曲
Bend

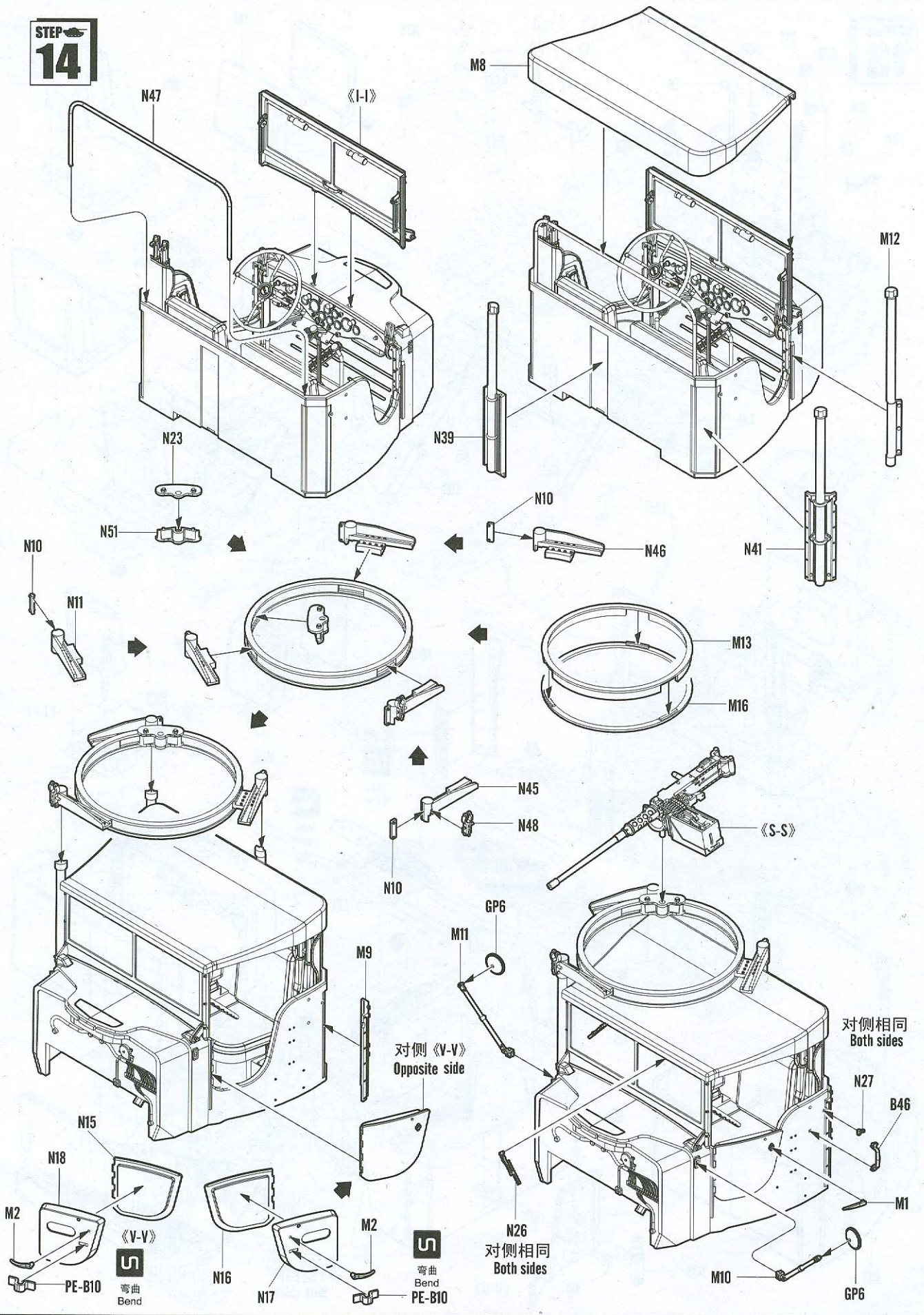
《S-S》



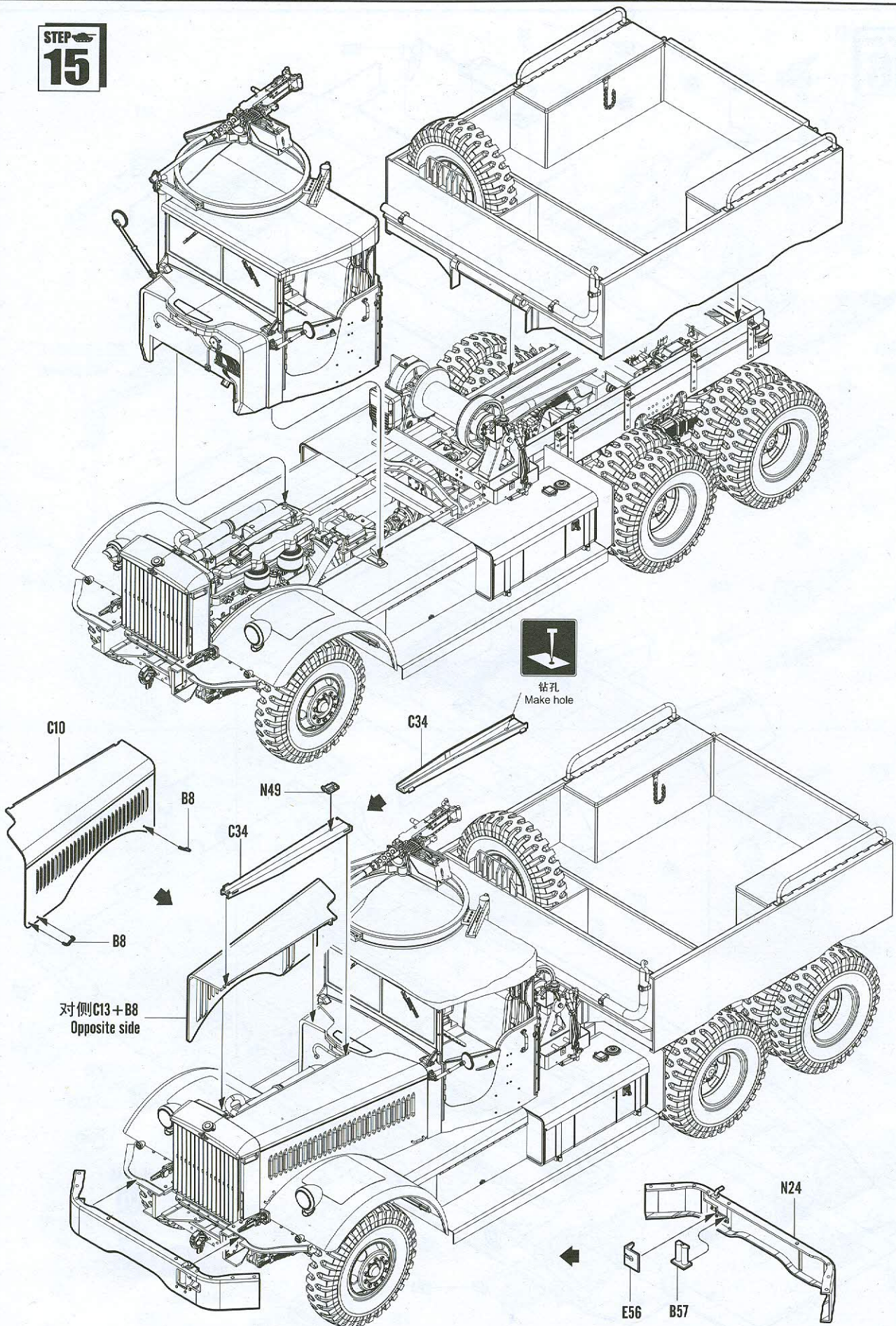
STEP
13



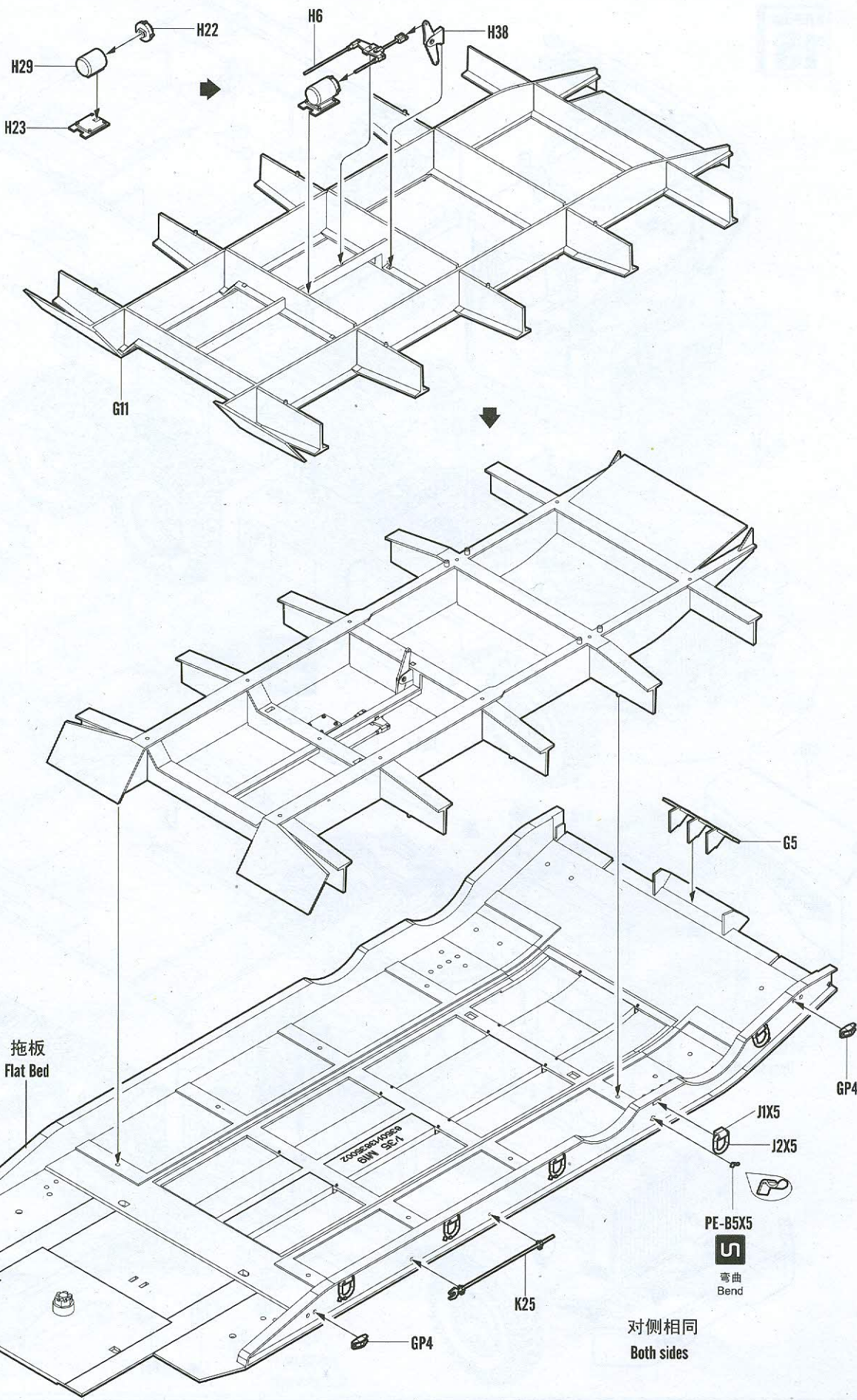
STEP
14



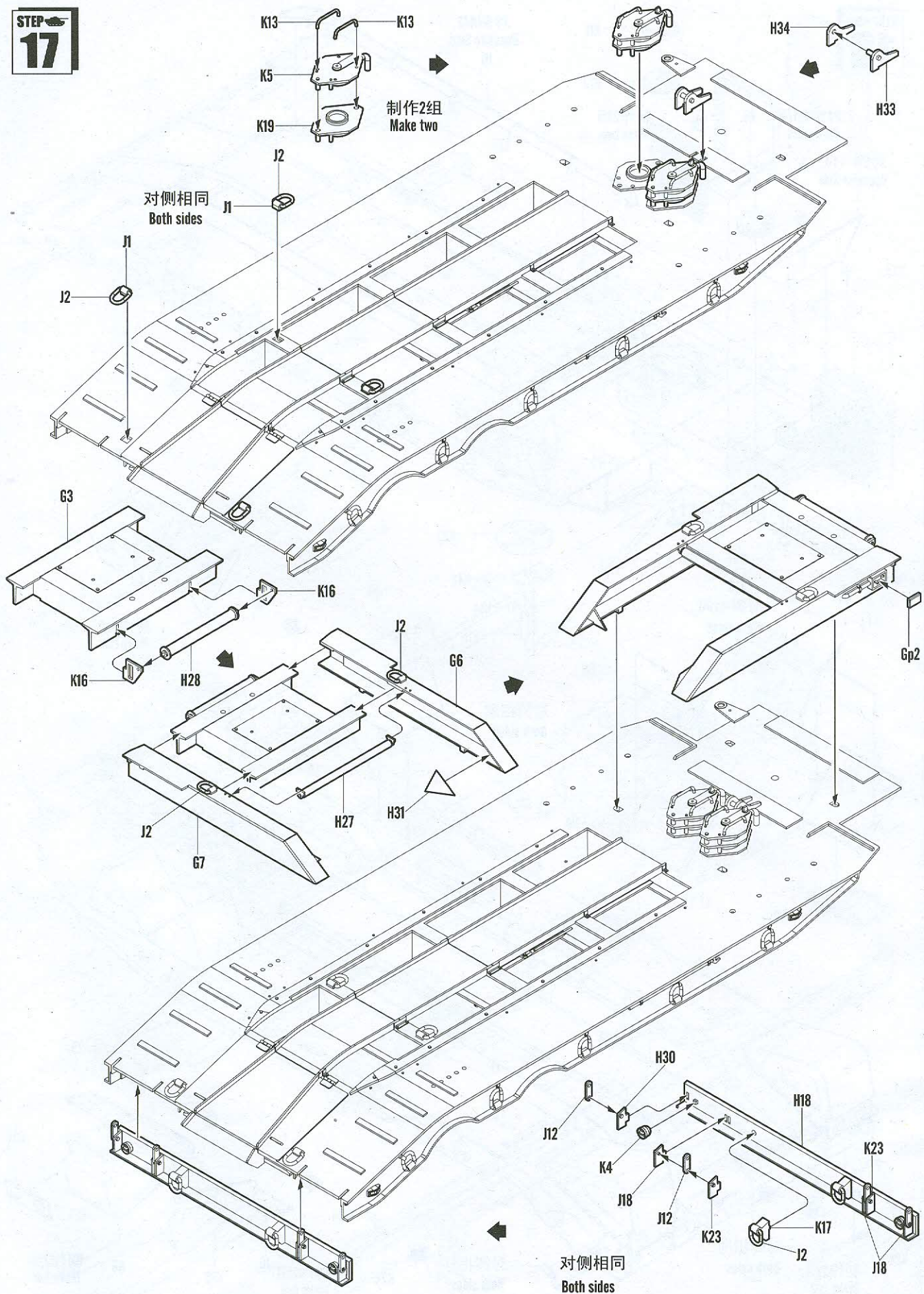
STEP
15



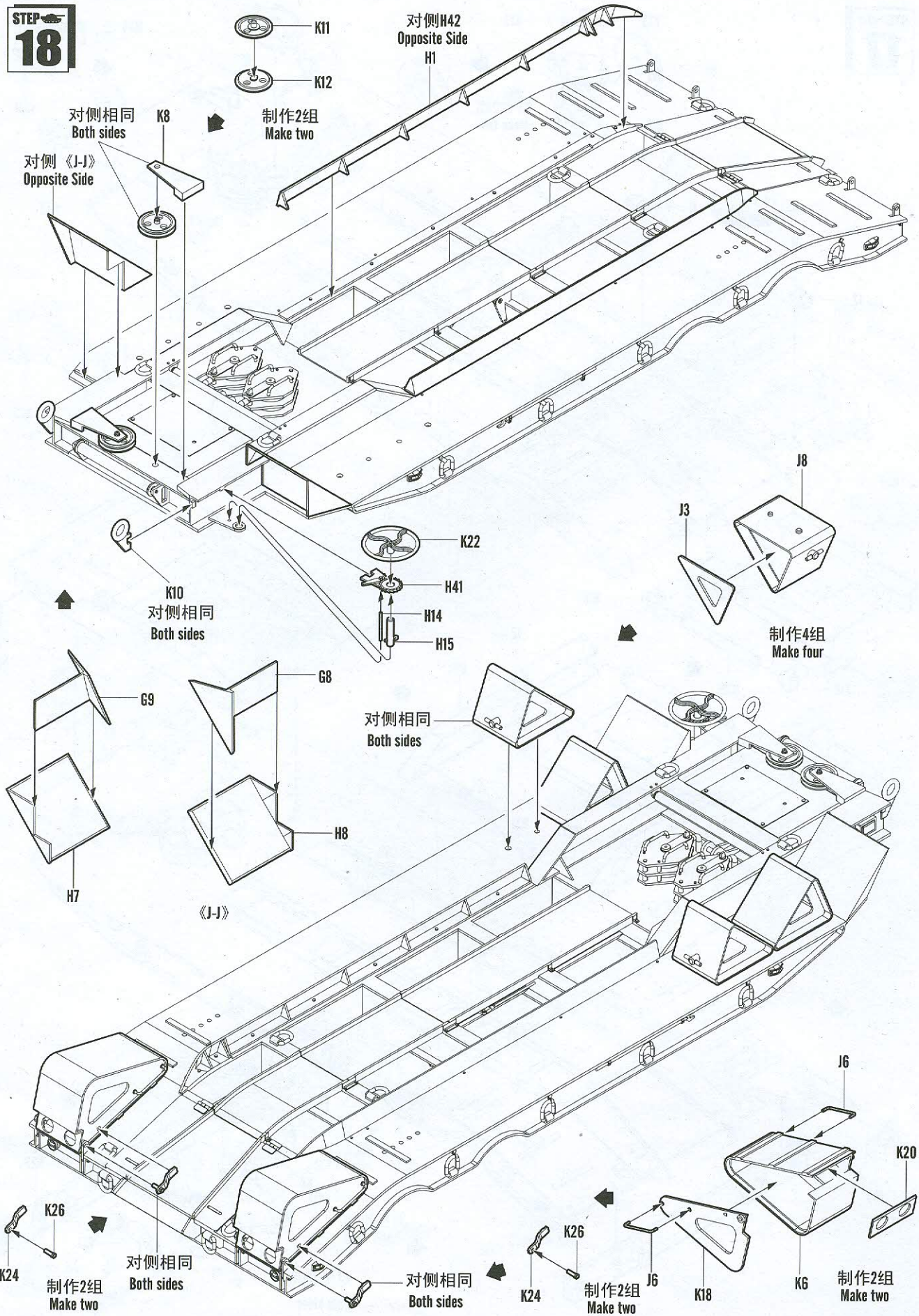
STEP
16



STEP
17



STEP
18



K11
K12

对侧H42
Opposite Side
H1

制作2组
Make two

对侧相同
Both sides
对侧《J-J》
Opposite Side

K10
对侧相同
Both sides

制作4组
Make four

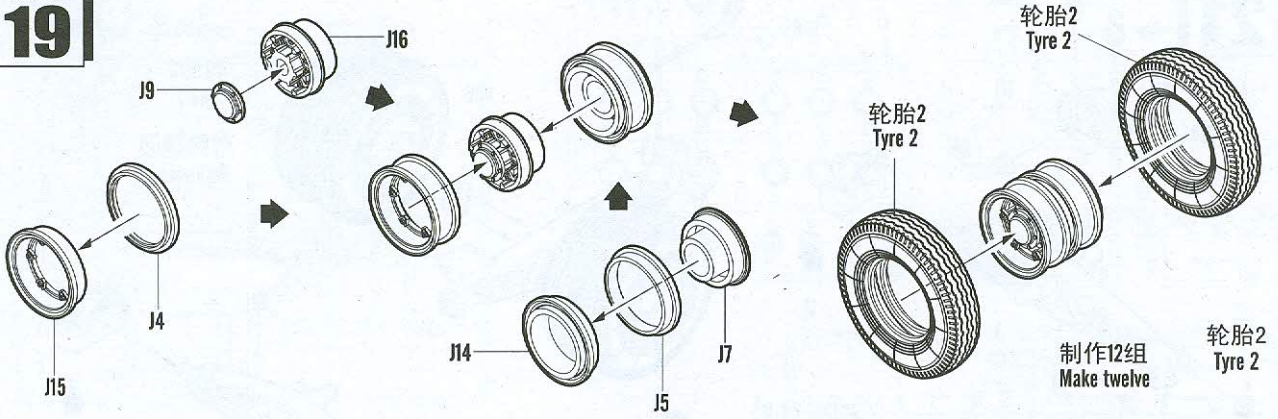
对侧相同
Both sides

对侧相同
Both sides

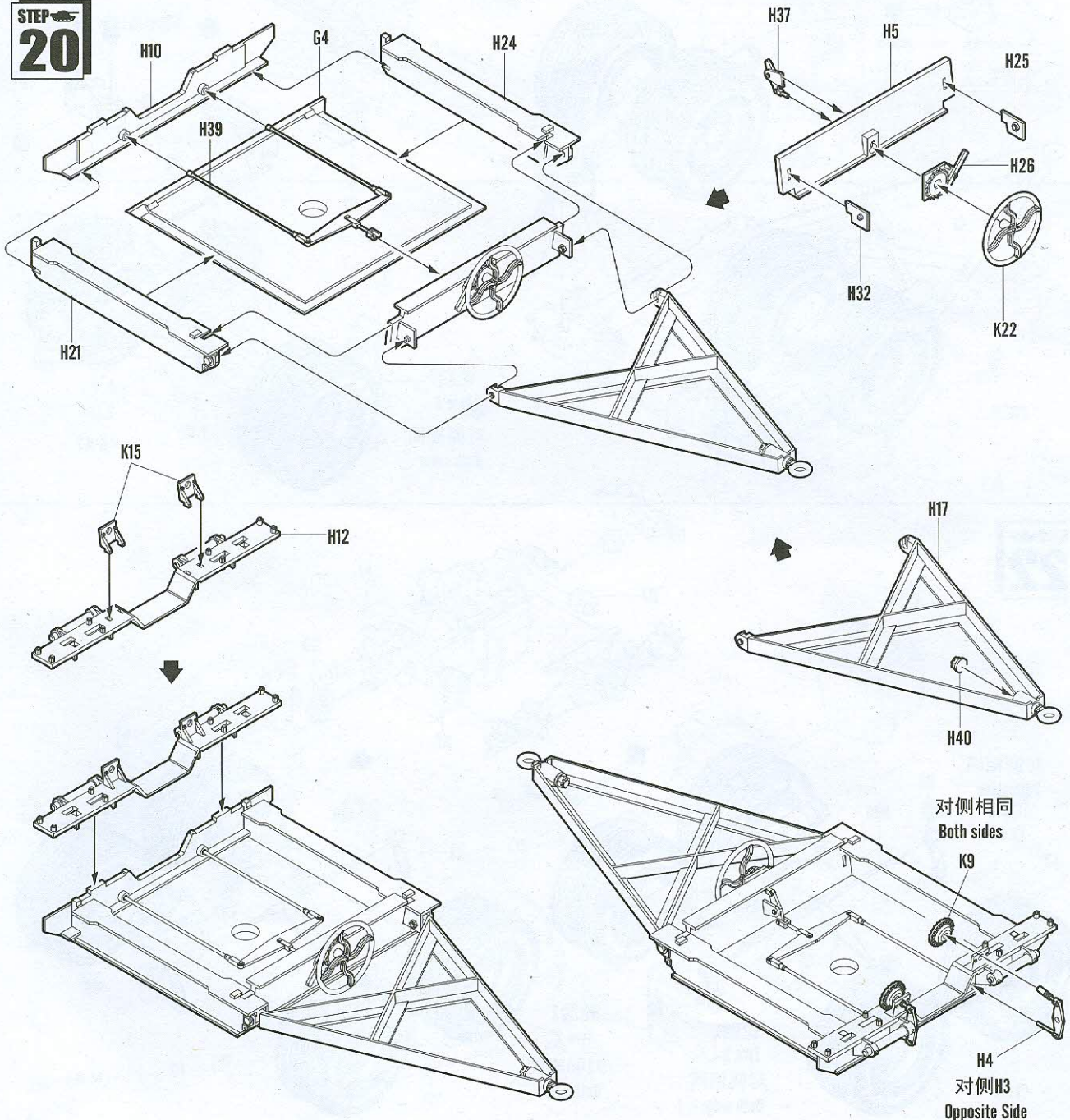
对侧相同
Both sides

制作2组
Make two

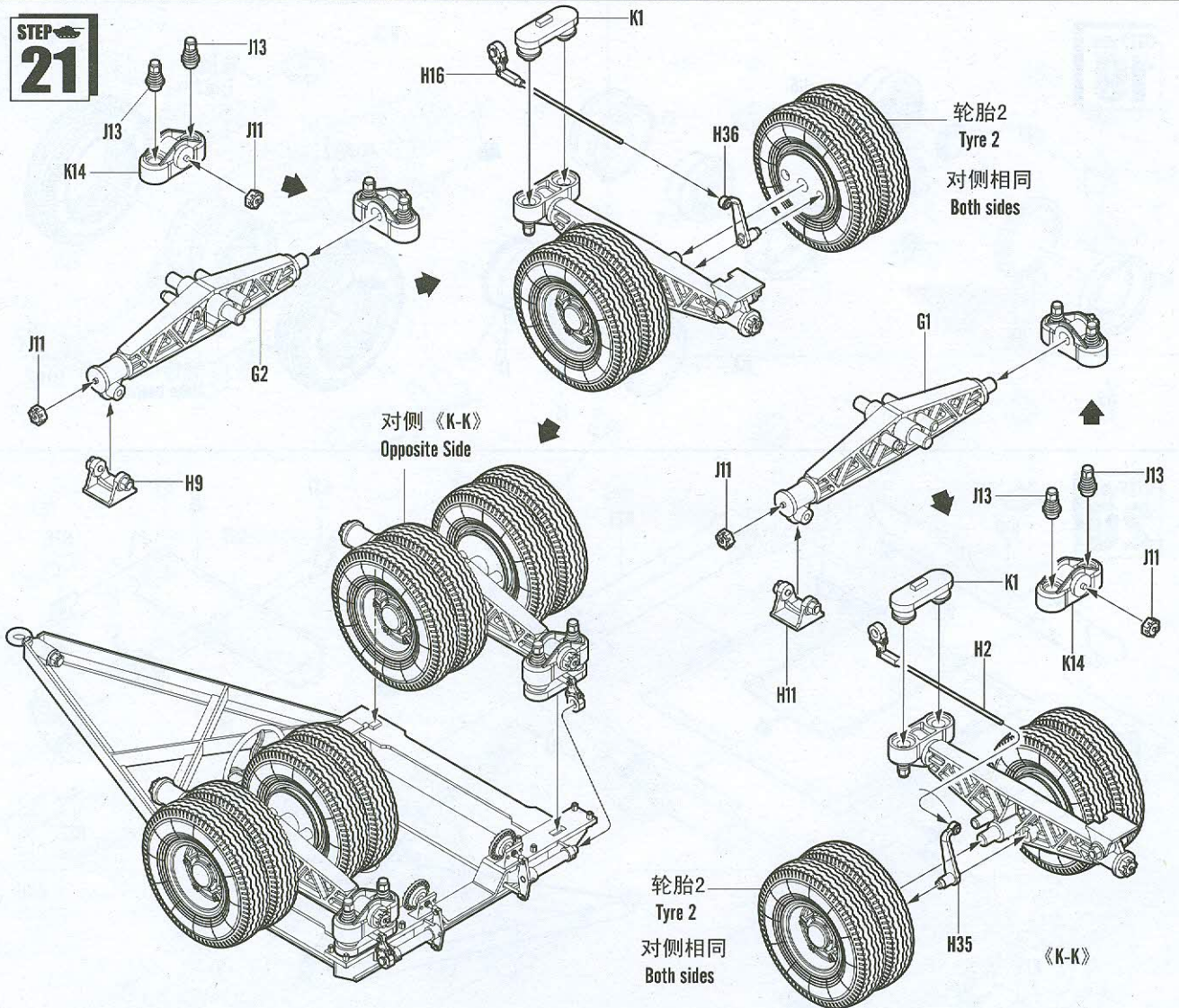
STEP
19



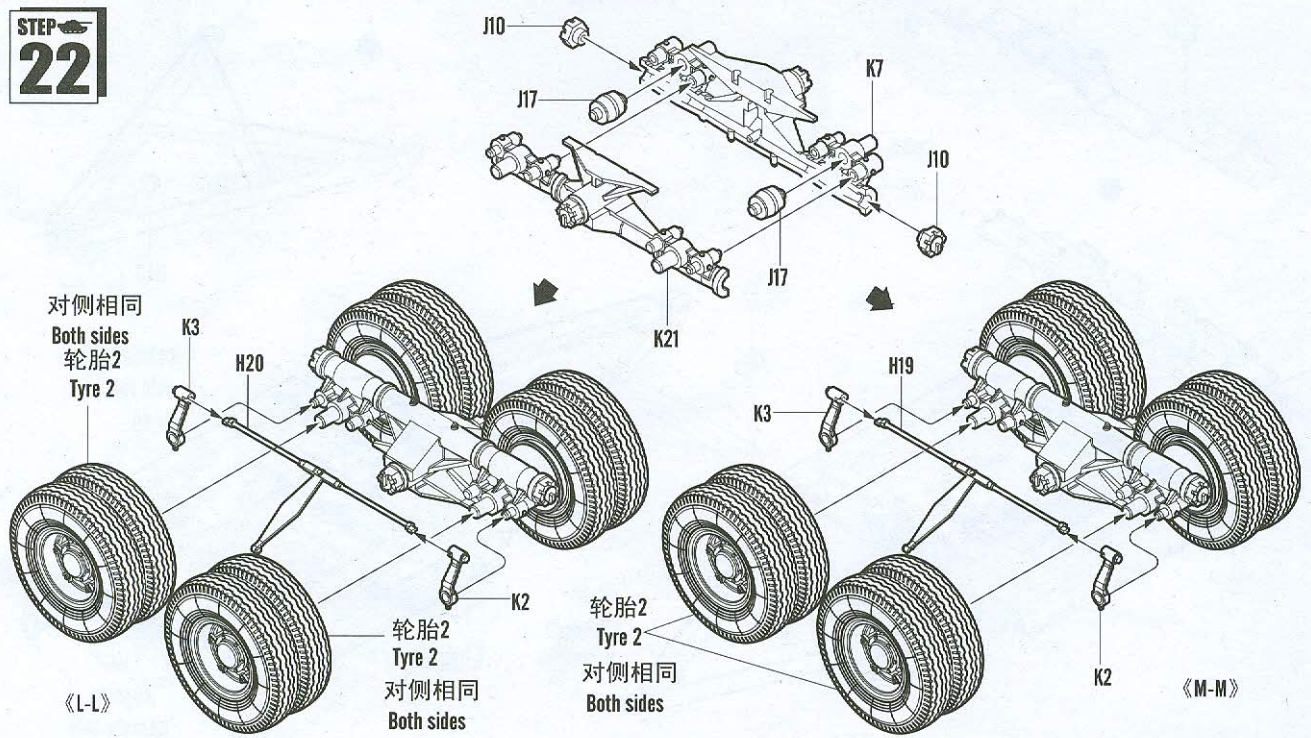
STEP
20



STEP 21



STEP 22



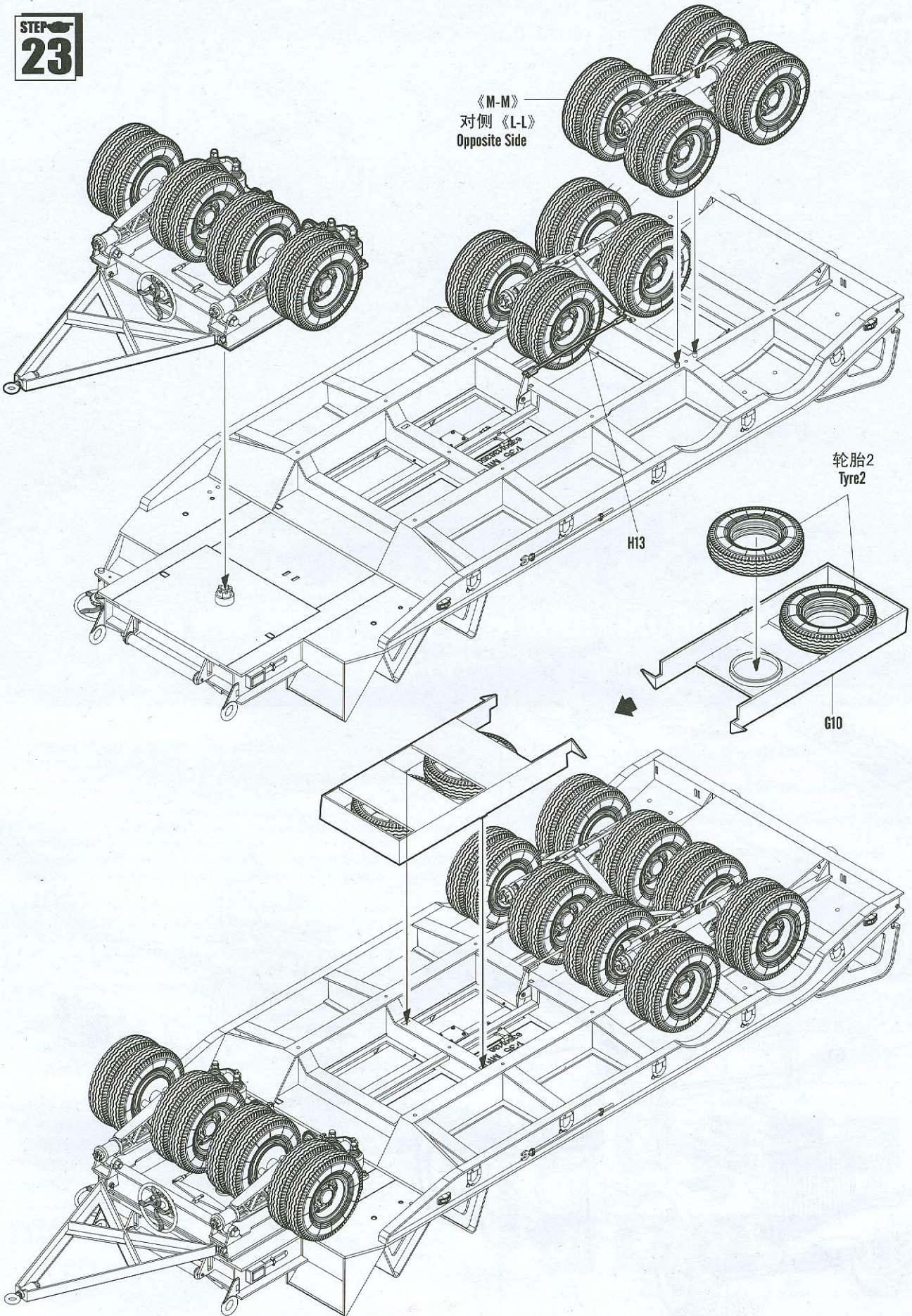
STEP
23

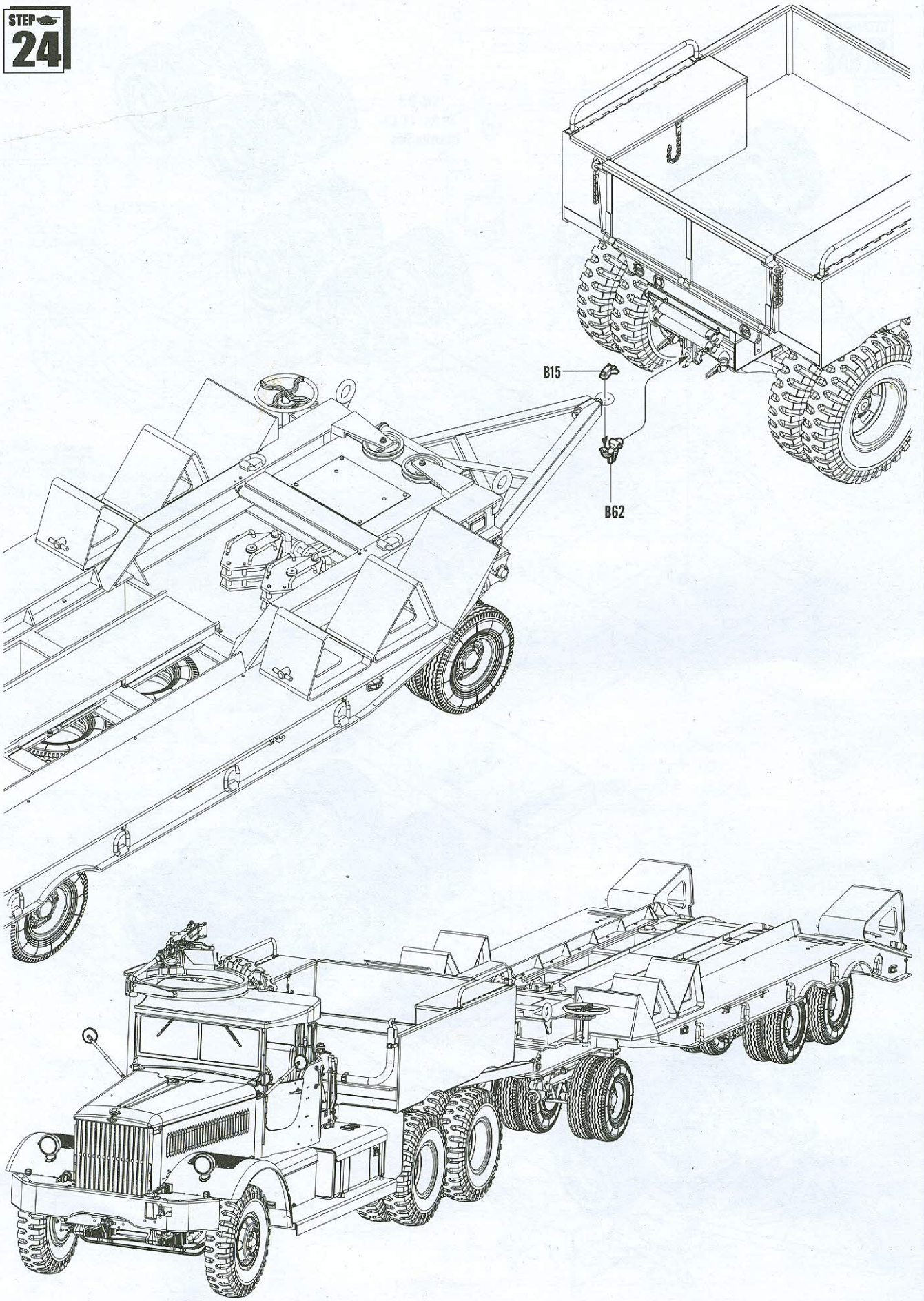
《M-M》
对侧《L-L》
Opposite Side

轮胎2
Tyre2

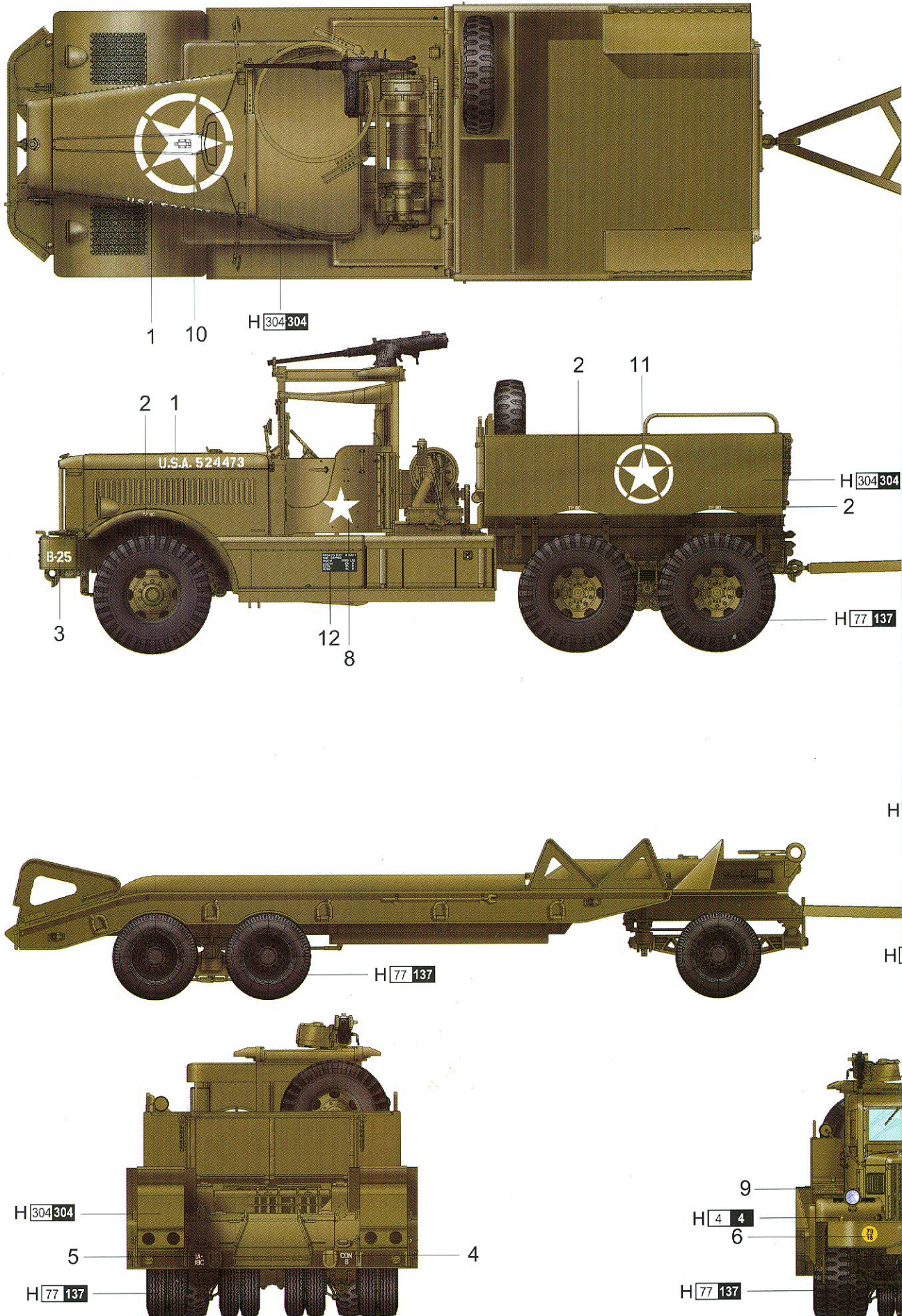
H13

G10

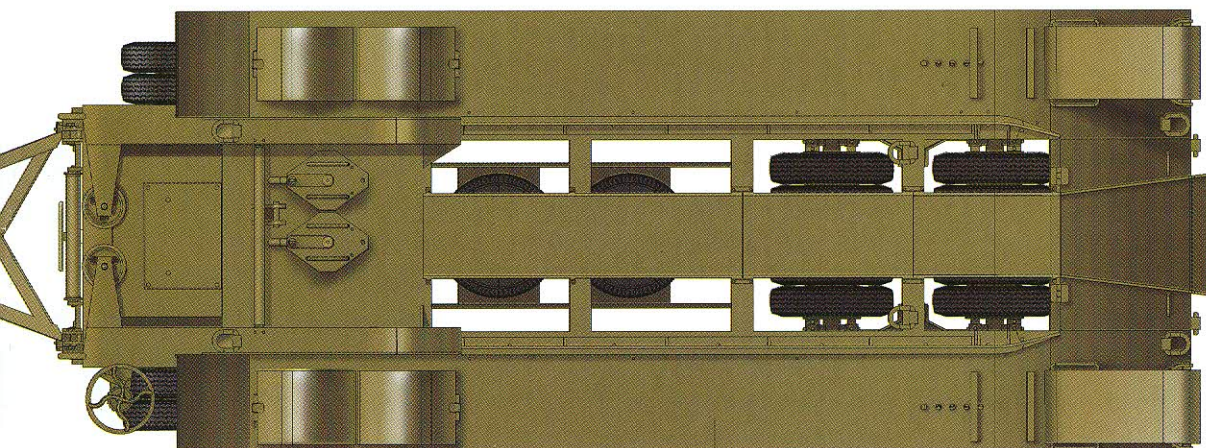




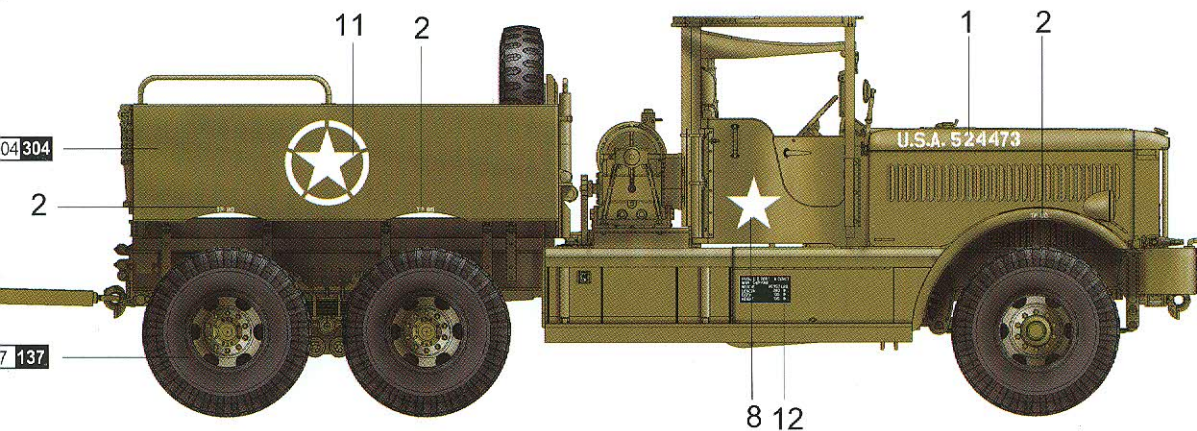
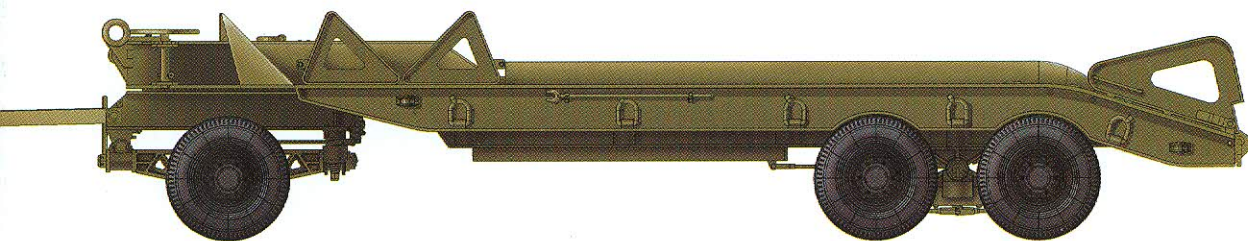
涂装同标贴指示
Painting & Marking guide



63502 1/35 US M19 Tank Transporter with Soft Top Cab



H 304 304



04 304

2

7 137

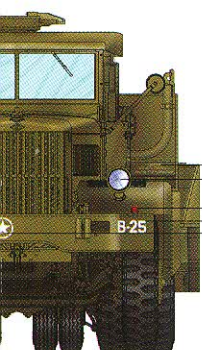
11

2

1

2

8 12



9

H 93 50

7

3

H 3 3

B-25

PAINT REFERENCE COLOUR

Color	Mr.Hobby	Vallejo	Model Master	Tamiya	Humbrol
Tire Black 胎黑色	H 77 137	-	-	-	-
Olive Drab 橄榄色	H 304 304	887	1711	XF62	155
Red 红色	H 3 3	908	1503	X7	19
Yellow 黄色	H 4 4	953	1514	X8	69
Clear Blue 透明蓝	H 93 50	938	-	X23	-

H □ AQUEOUS HOBBY COLOR

■ Mr. COLOR