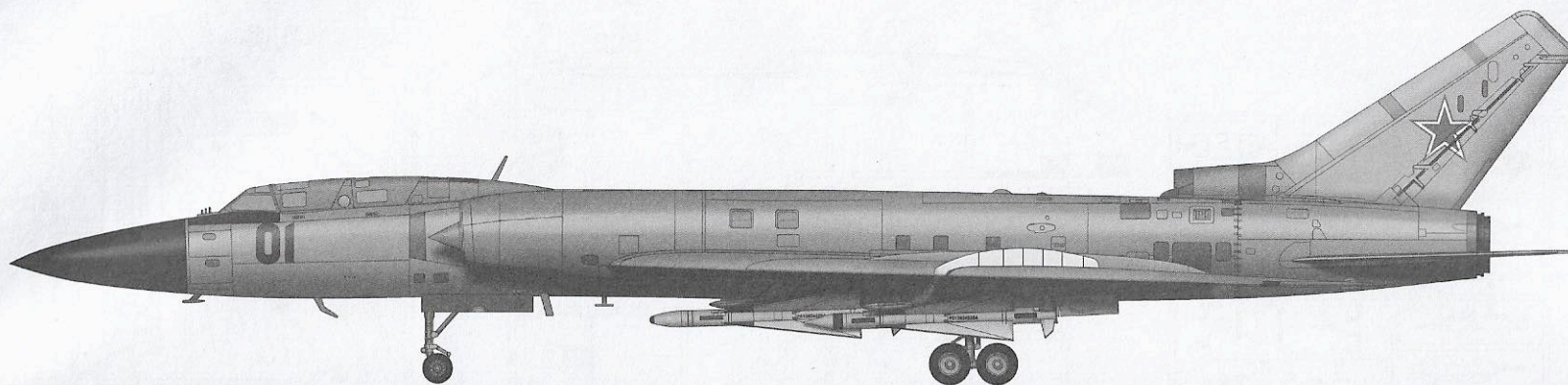


1/72 SCALE

ITEM NO.:01687



TU-128M Fiddler

俄罗斯Tu-128M “大提琴手” 截击机

READ BEFORE ASSEMBLY:

- This kit is not recommended for inexperienced modelers or for children under 14 years of age
- Study and understand these instructions thoroughly before beginning assembly
- When needed, remove photo-etch parts carefully using a modeling knife or photo etch sprue cutter, being careful not to damage or lose small parts.
- Take extra care in handling photo etch parts in order to avoid injury
- Apply instant cement sparingly to photo etch parts where instructed

- Tools recommended(not included in kit):Plastic and instant cements,sprue cutters,long nose pliers,modeling knife, small files, tweezers, pin vise & scissors. Soft cloth and sandpaper will also assist in construction
- Glue and paint are not included in the kit. Use plastic cement and hobby paints only. Color guide for purchasing paint is included in the kit.
- Keep out of reach of children. They must not be allowed to ingest small parts or handle plastic bags in any way.

装配之前仔细阅读

- 小心用模型锉刀锉平所有零件表面的注射浇口。
- 小心用刀片切下蚀刻片零件，不要遗失小零件。
- 用强力快干胶水粘合蚀刻片零件和金属轴。过量的快干胶水使用可能导致可动零件会粘住，小心涂胶。
- 取蚀刻片时应特别注意安全，防止利边划伤手指。
- 某些零件表面需贴水上贴纸，请选择在装配的同时进行。
- 推荐模型工具(自备)：胶水，水口剪刀，长咀钳，刀片，锉刀，镊子钳，钻，剪刀，瞬间快干胶。
- 软布同砂纸同时也应该是必备工具。
- 请使用塑料胶水和油漆，模型内不含。
- 谨防小孩吸吮塑料零件，或者将塑料袋套在头上，制作时应将套材远离小孩接触。
- 本产品不适合14岁以下没有经验的模型爱好者。

水贴纸的使用:

- 1.从水贴纸上剪下印花;
- 2.将印花放入温水中浸10秒, 然后放在干净布上。
- 3.拿着印花纸板将印花移到模型上;
- 4.手指蘸水将印花移到适当的位置;
- 5.用软布轻压印花直至水干, 汽泡消失

DECAL APPLICATION

- 1.Cut decals from sheet as needed
- 2.Dip the decal in warm water for about 10 seconds and then place on soft clean cloth.
- 3.Hold the decal backing sheet edge and gently slide the decal onto the model in its proper position.

- 4.While still wet,decal can be adjusted for better fit on model by dampening it gently with your finger.
- 5.When placed in the proper position,gently press decal down with a soft cloth until excess water and air bubbles are gone.
- 6.Allow decal to dry completely before handling model.



配重
Weight



使用强力胶
Cyanoacrylate glue



钻孔
Make hole



切除
Cut / Remove



贴纸
Decal



锉平
File / Sand



选择
Option



不涂胶水
No cement

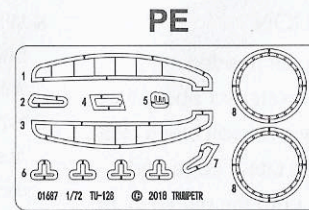
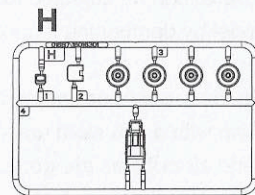
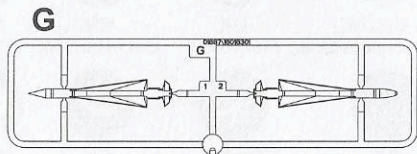
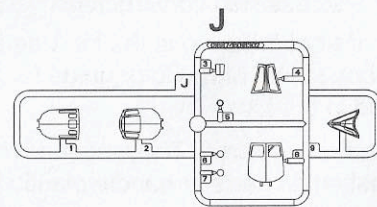
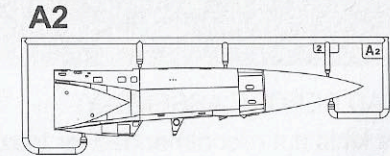
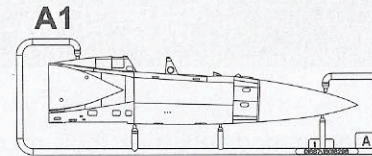
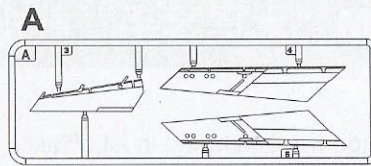
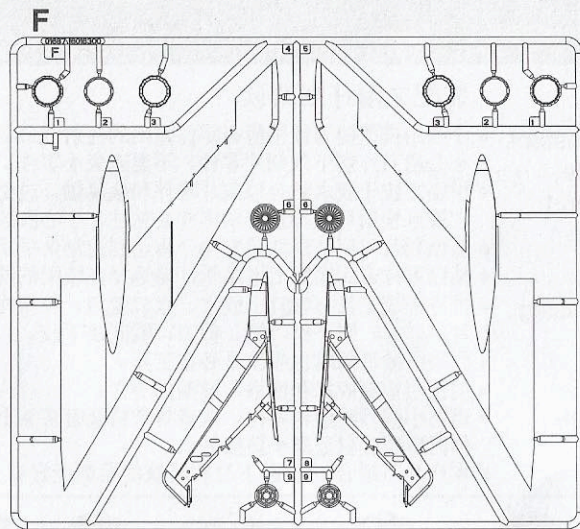
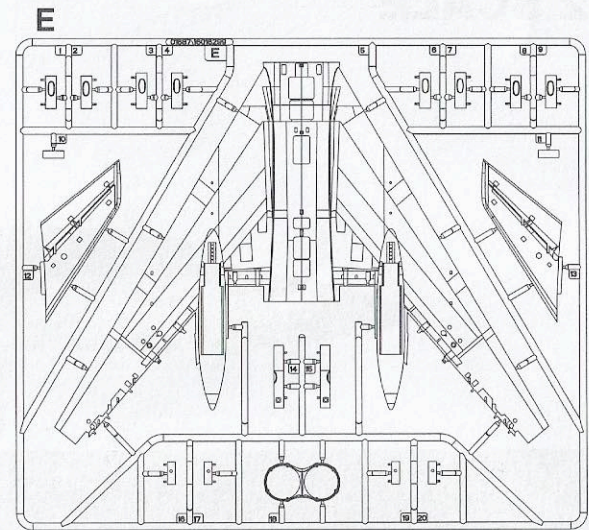
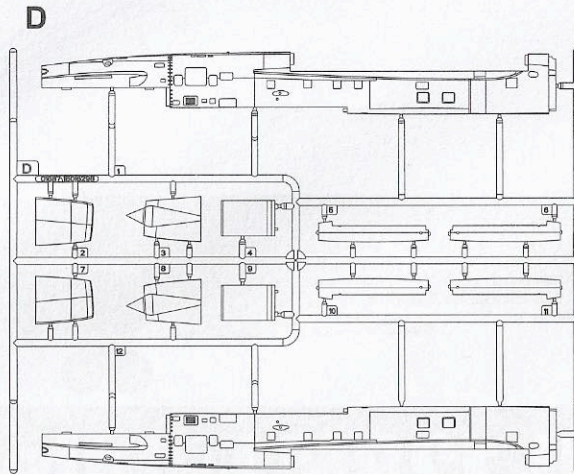
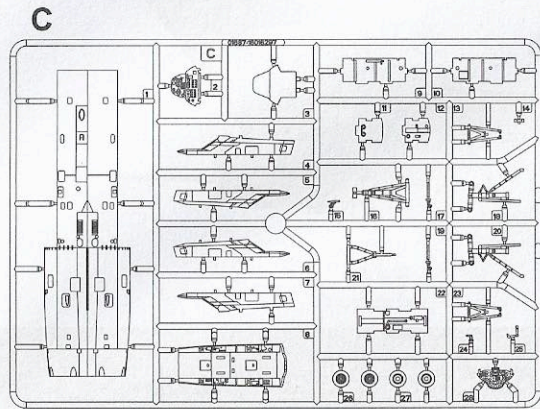


弯曲
Bend

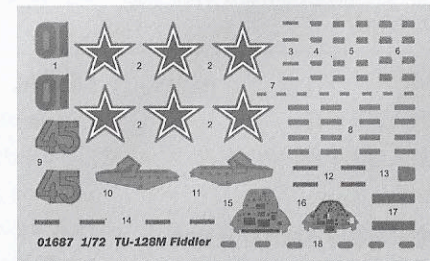


先装
Install it first

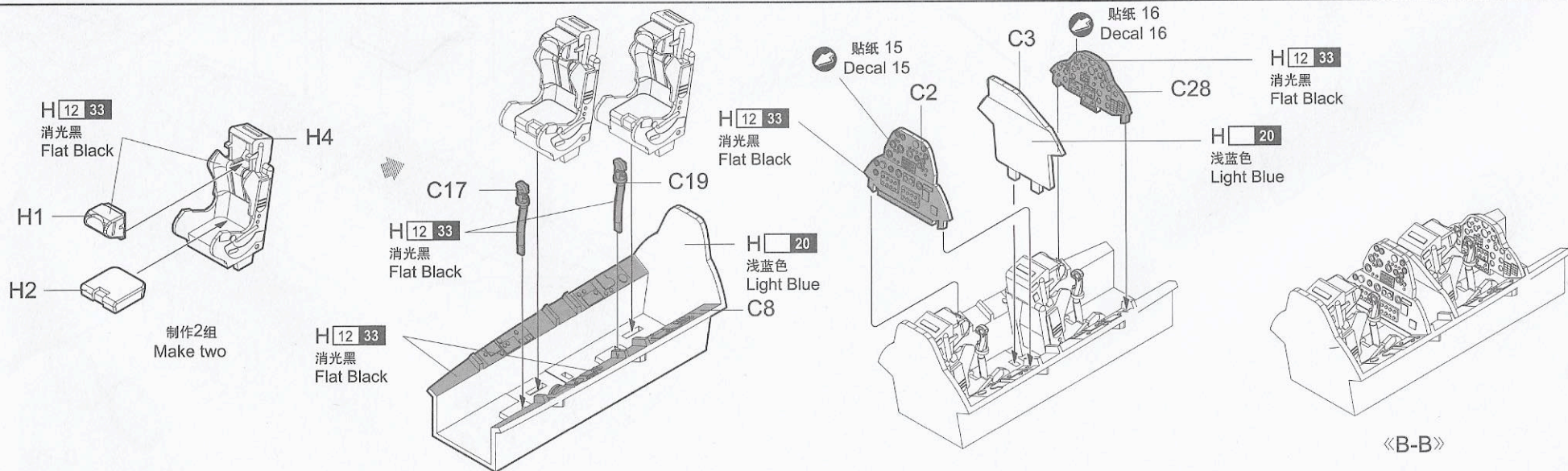
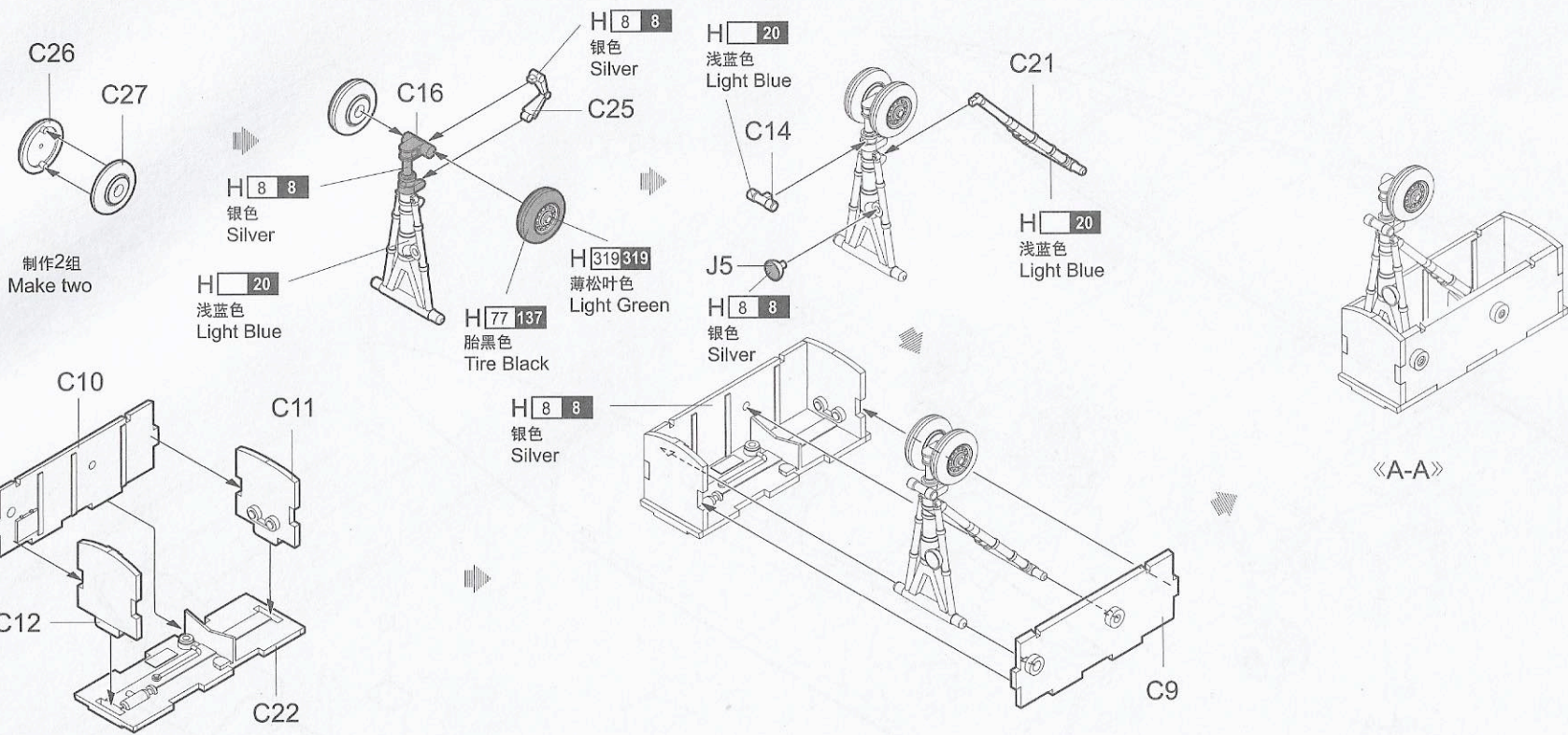
部品图
Parts



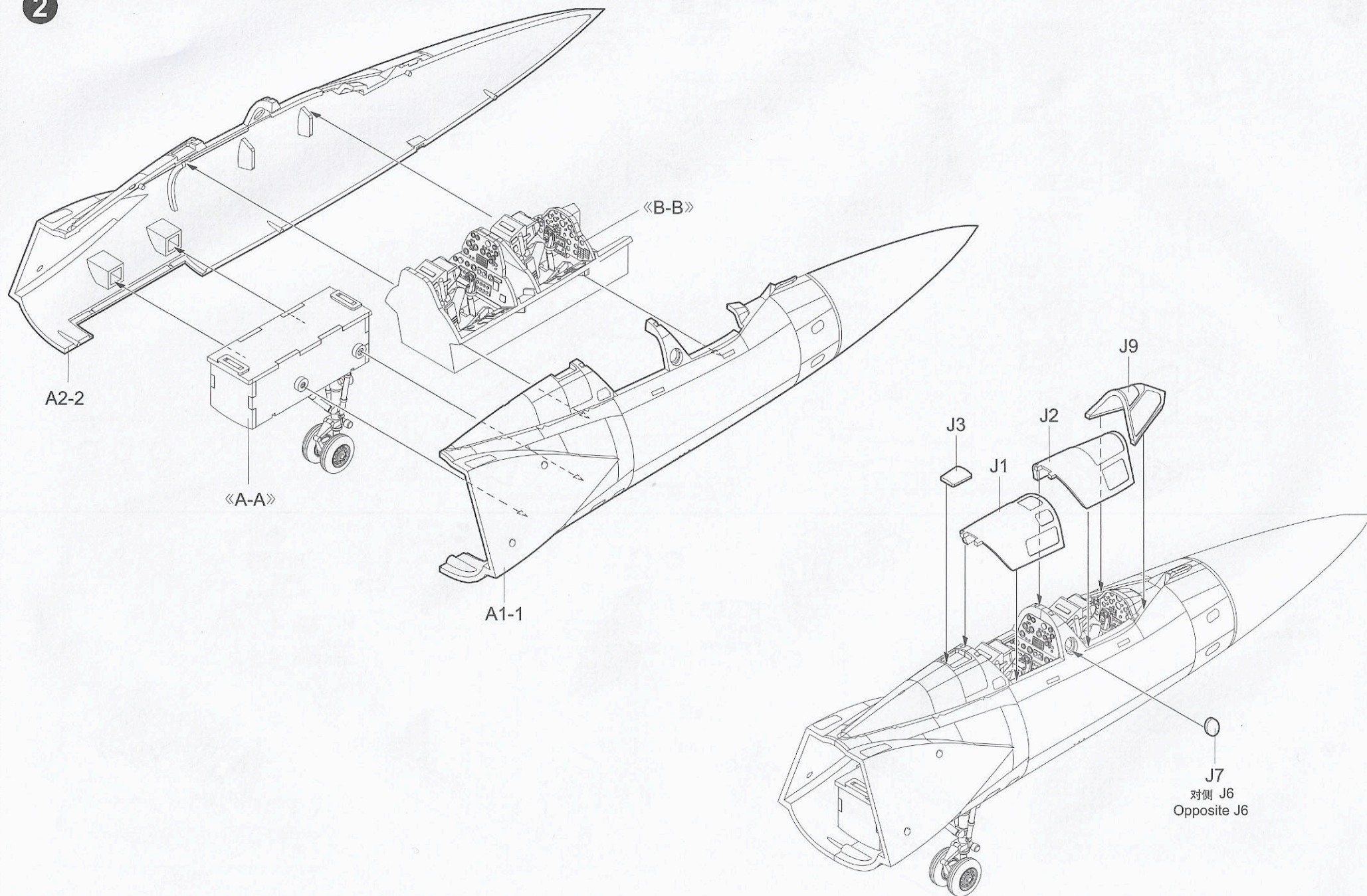
《贴纸》
Decal



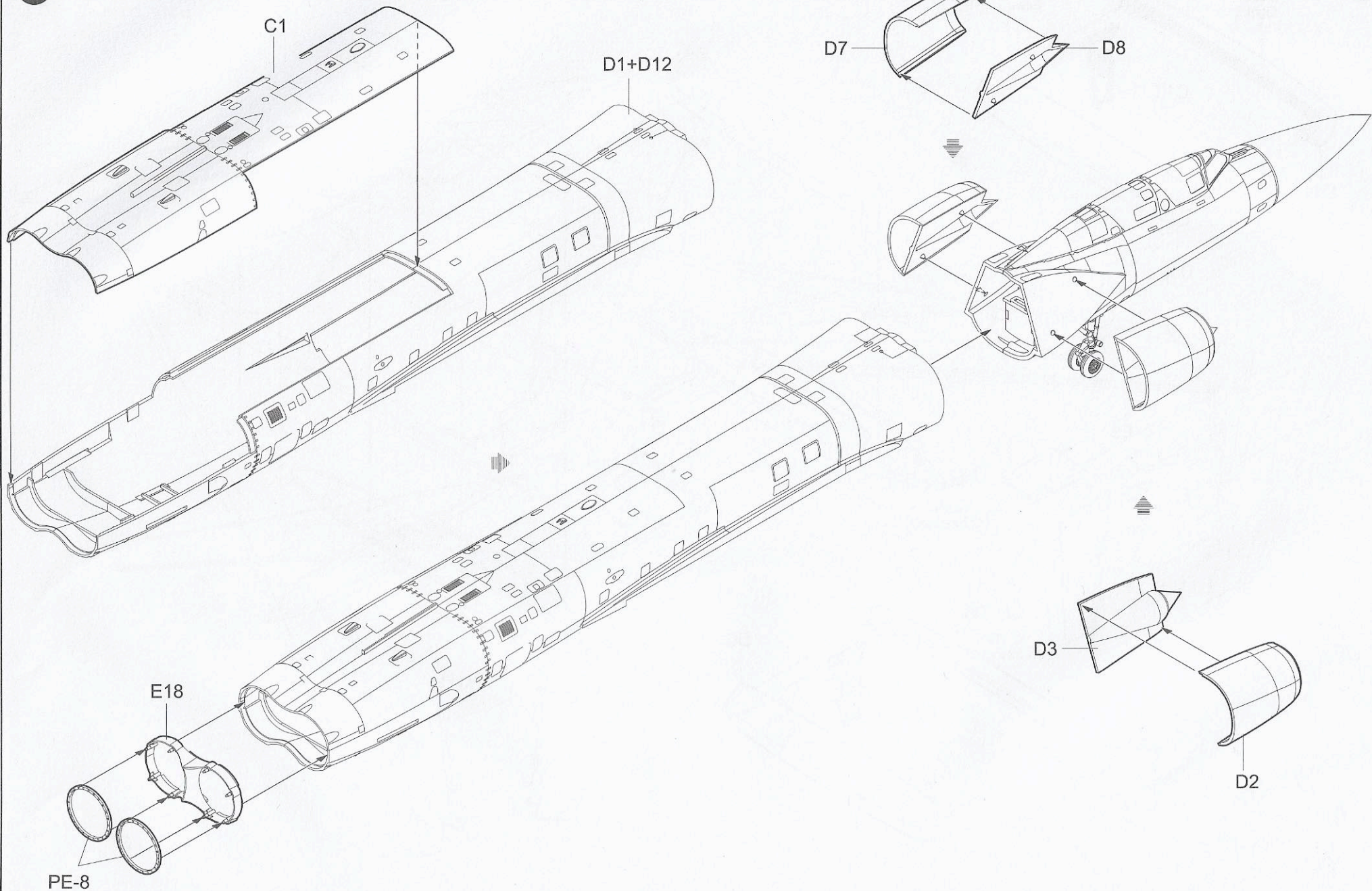
1



2



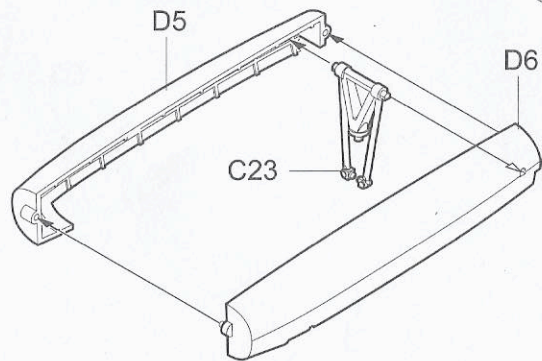
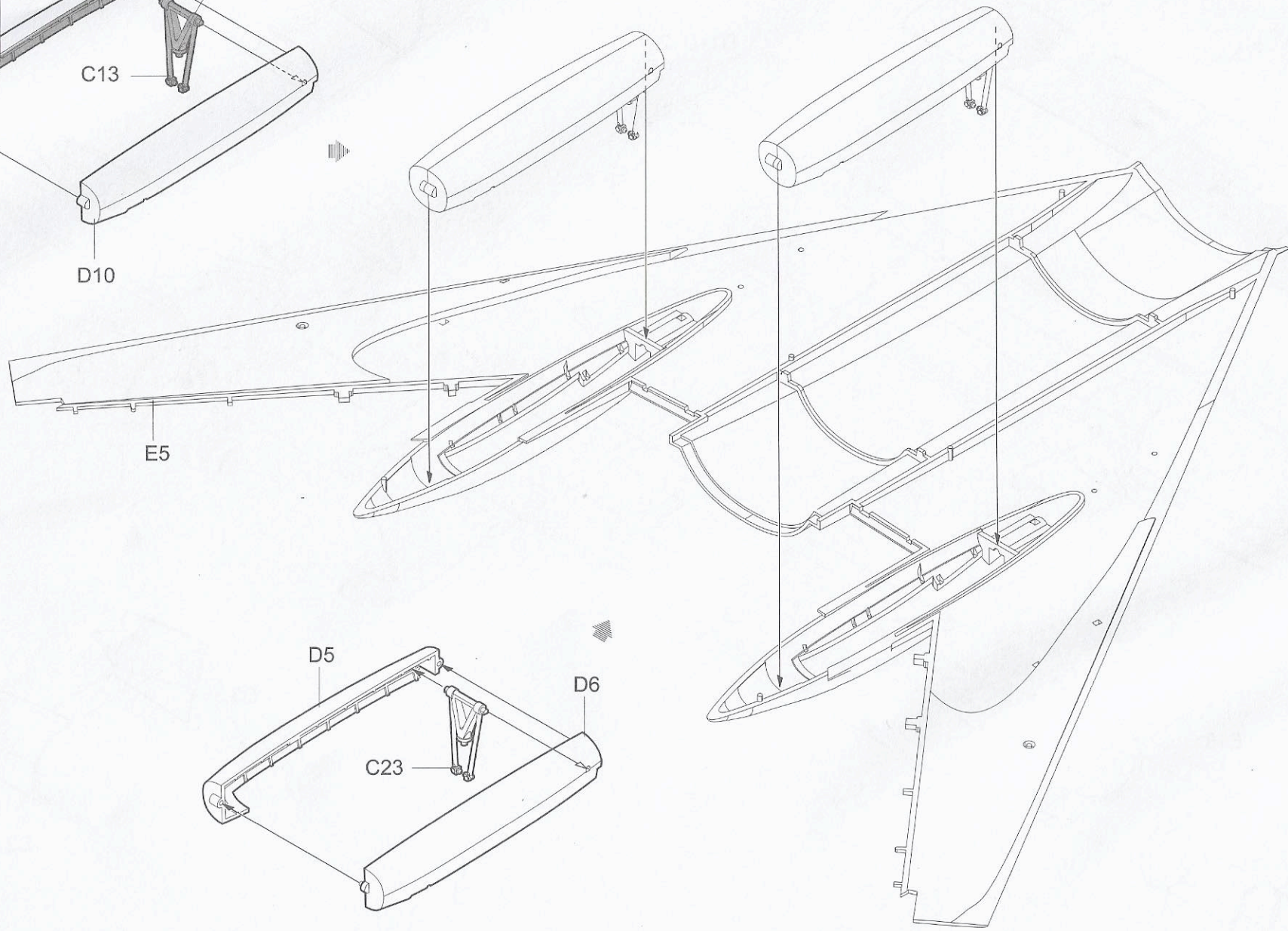
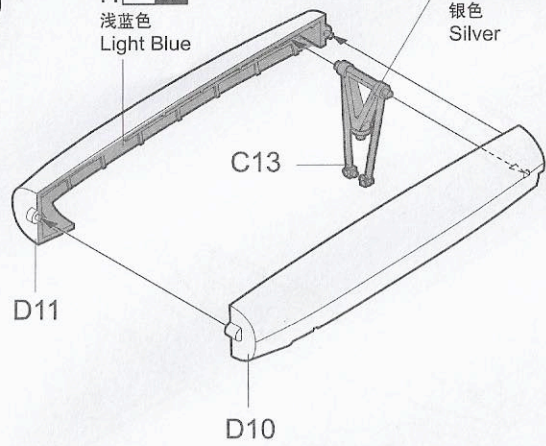
3



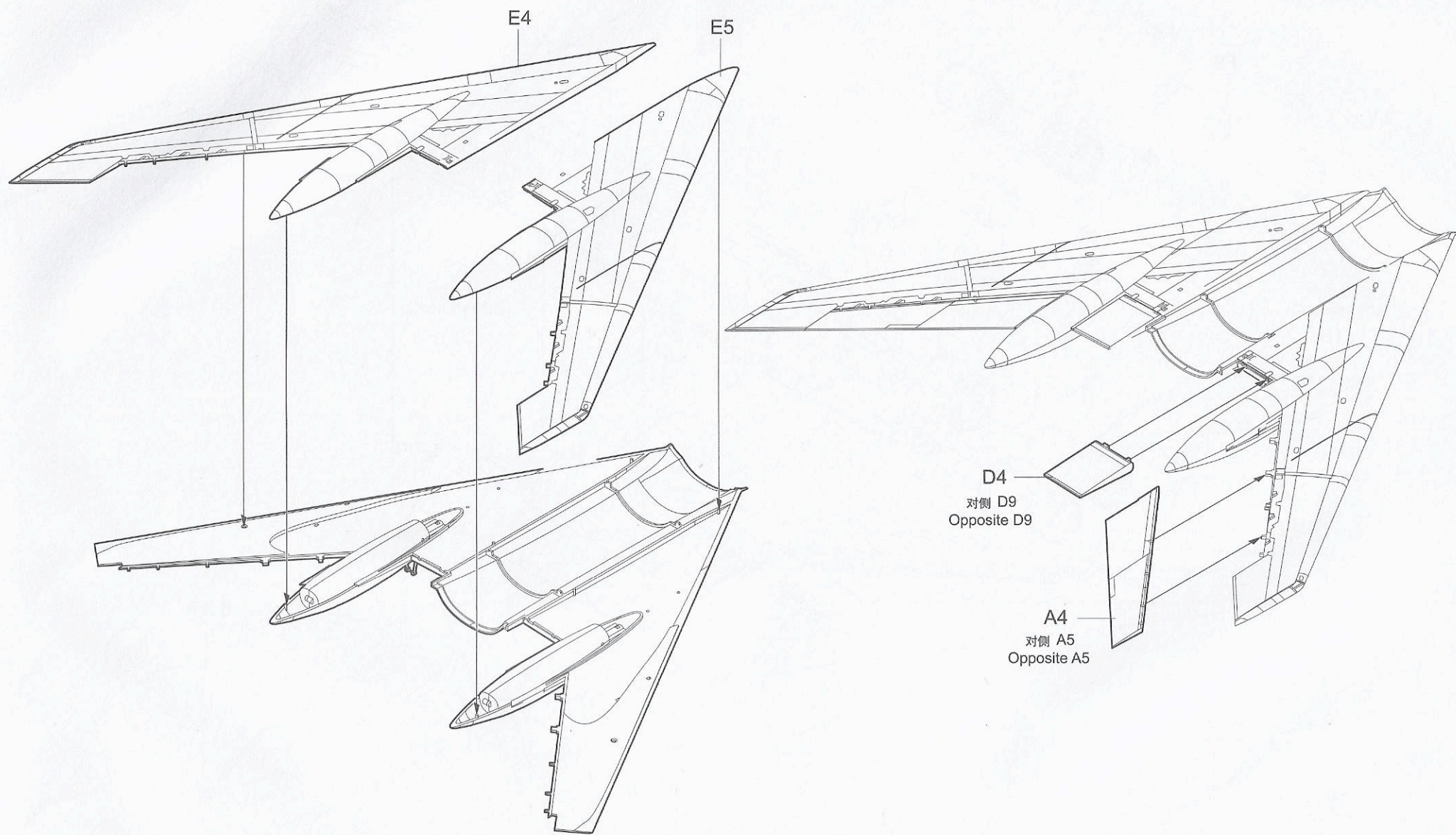
4

H 20
浅蓝色
Light Blue

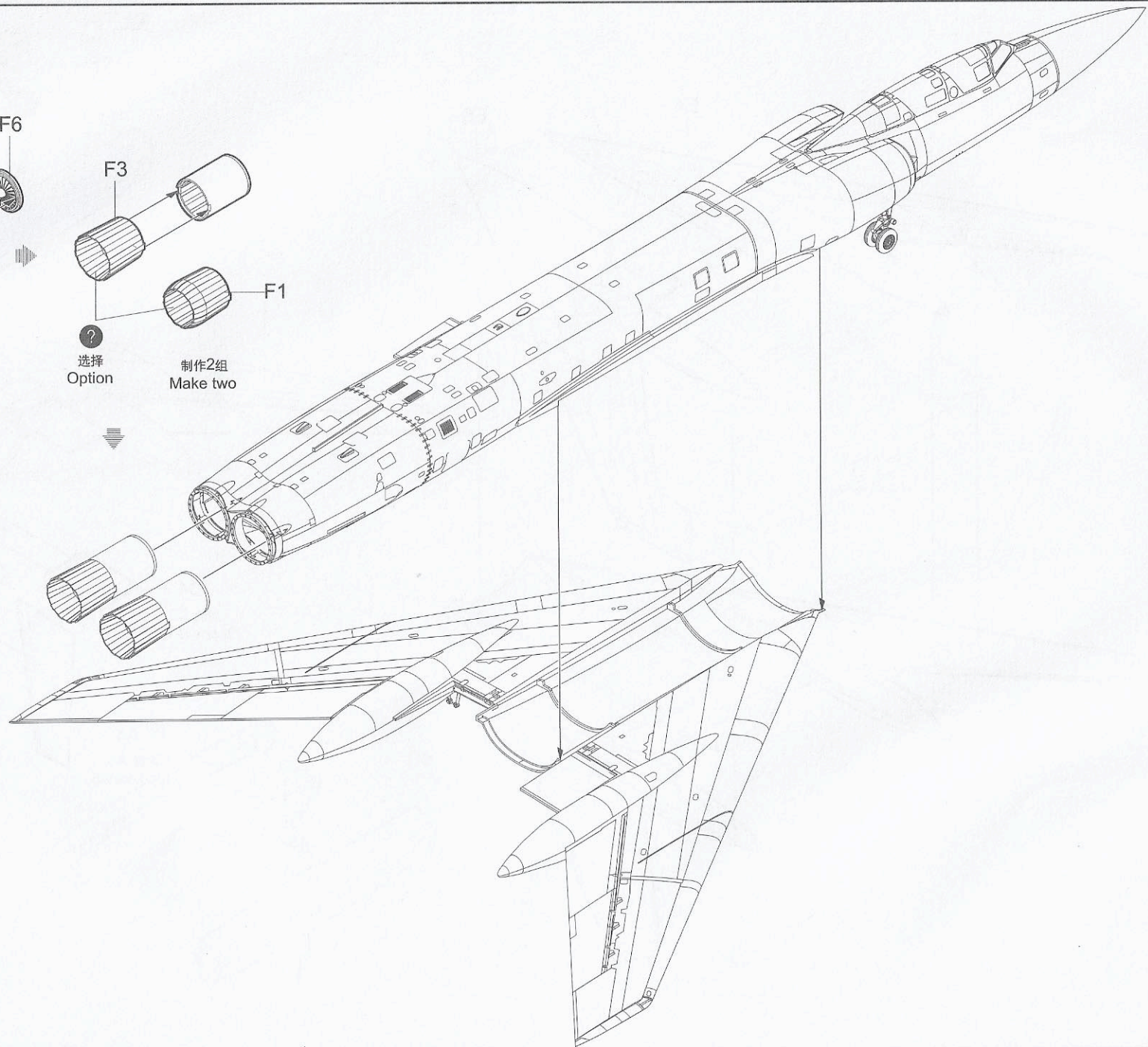
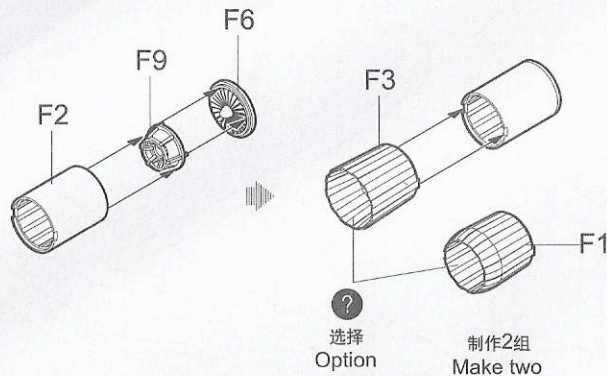
H 8 8
银色
Silver



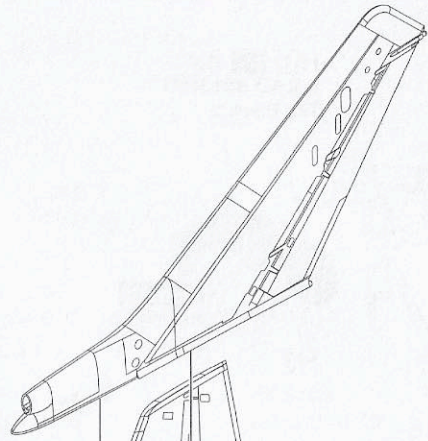
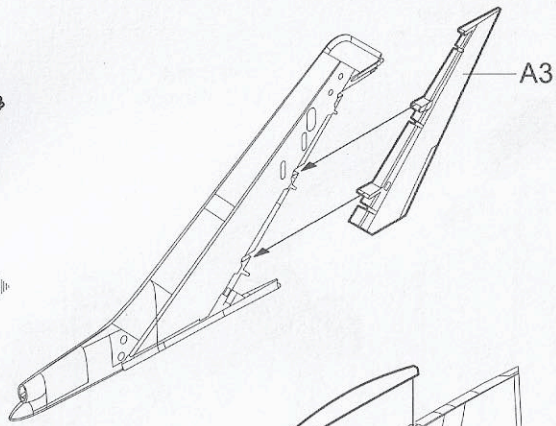
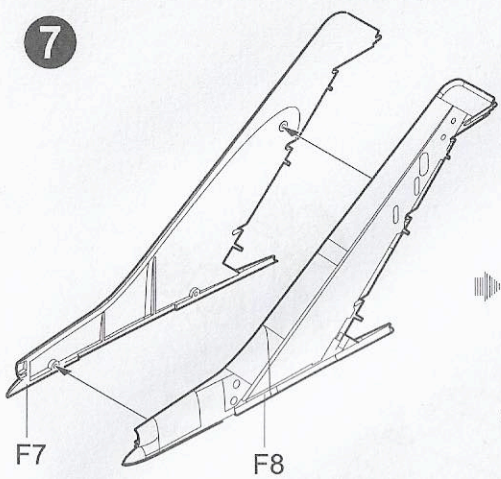
5



6



7

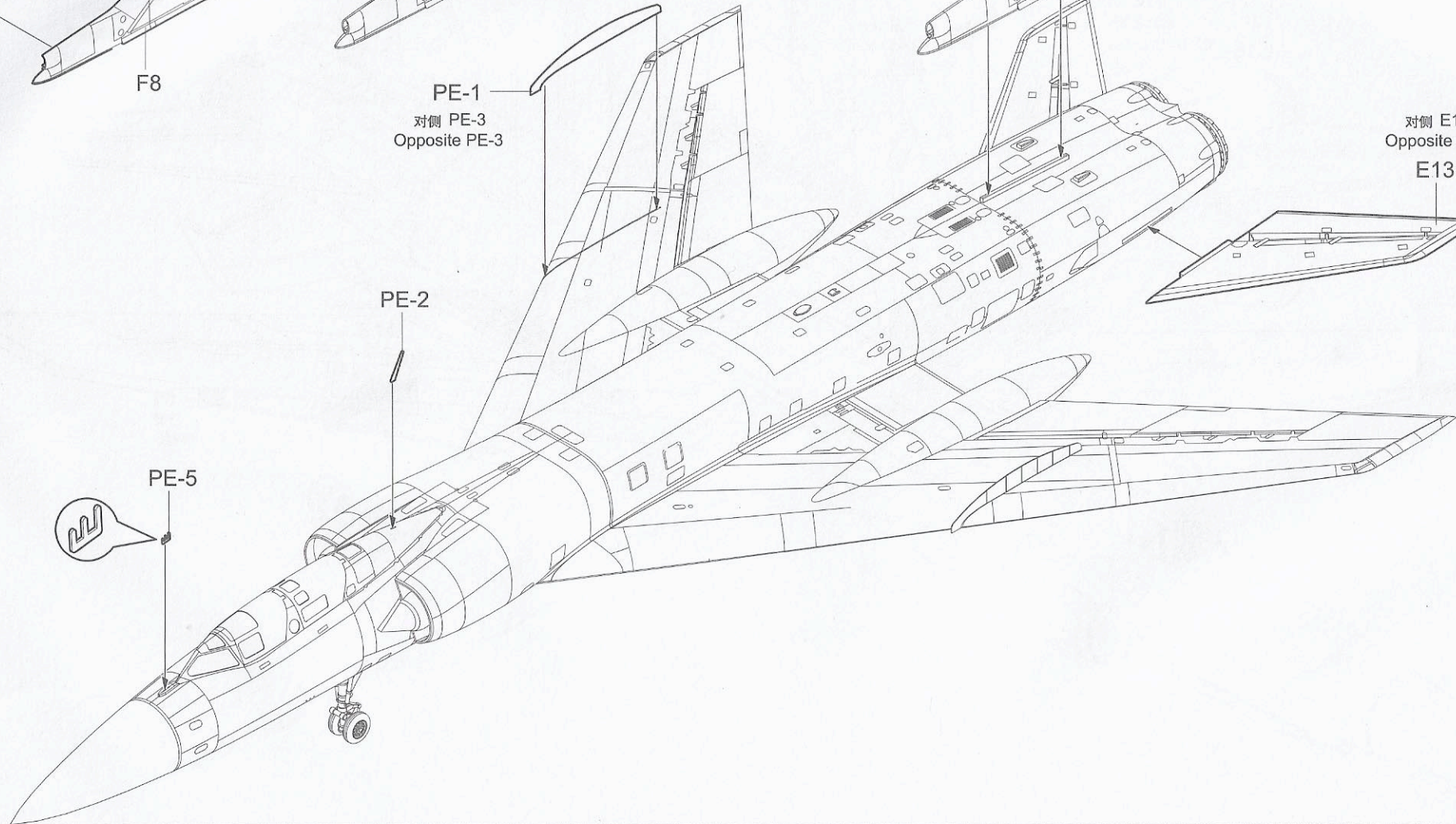
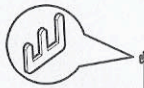


PE-1
对侧 PE-3
Opposite PE-3

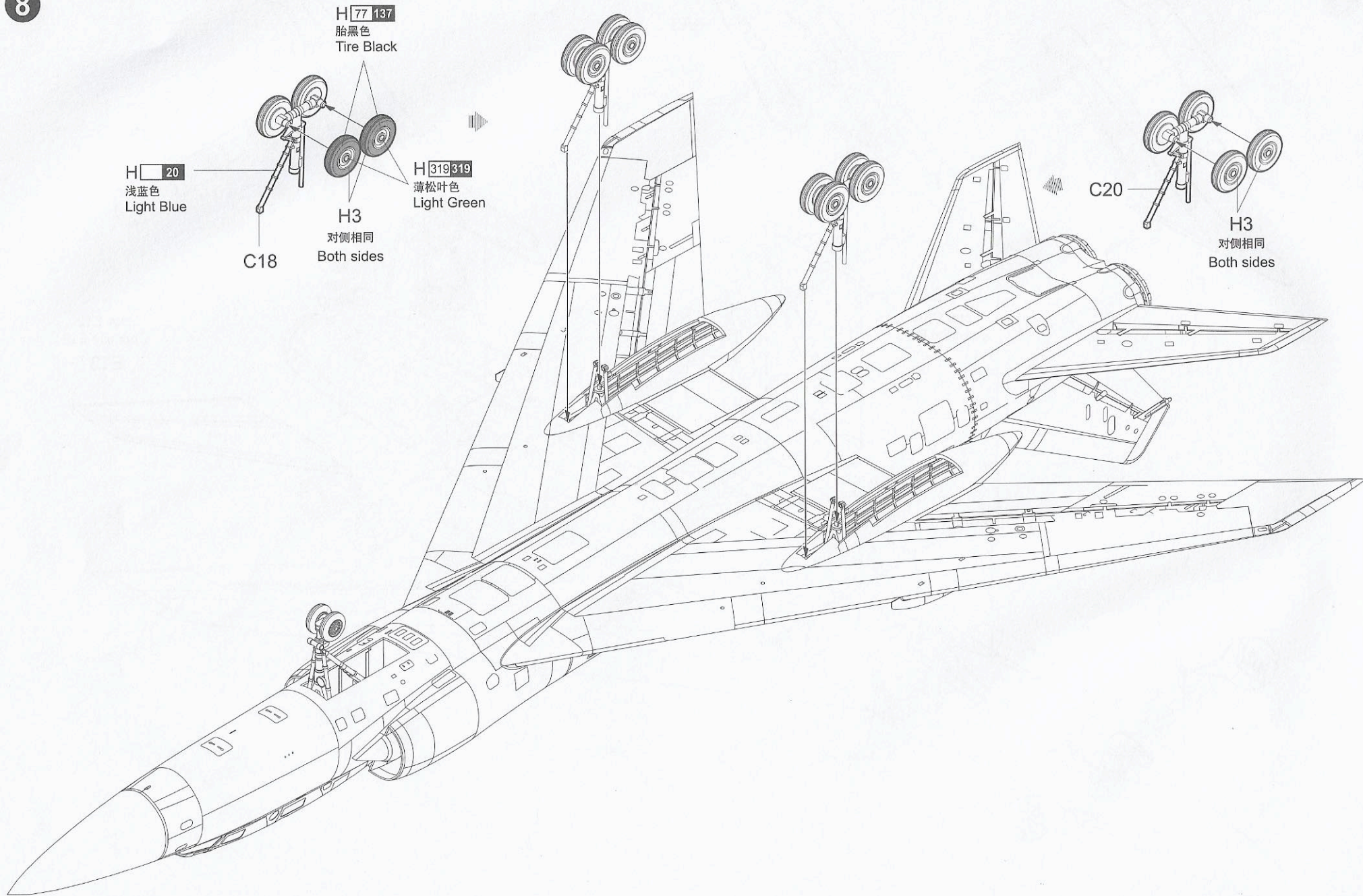
对侧 E12
Opposite E12
E13

PE-2

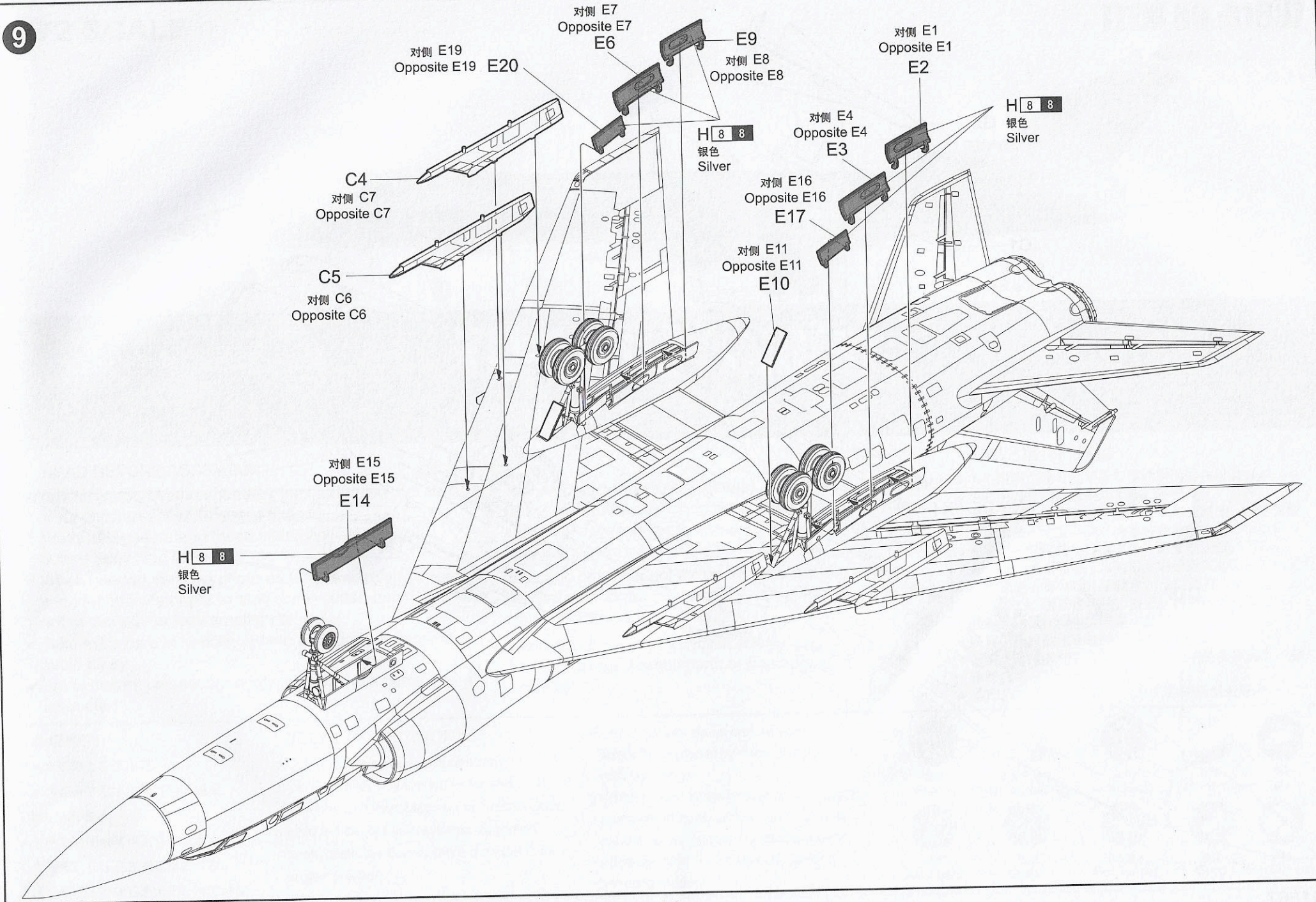
PE-5



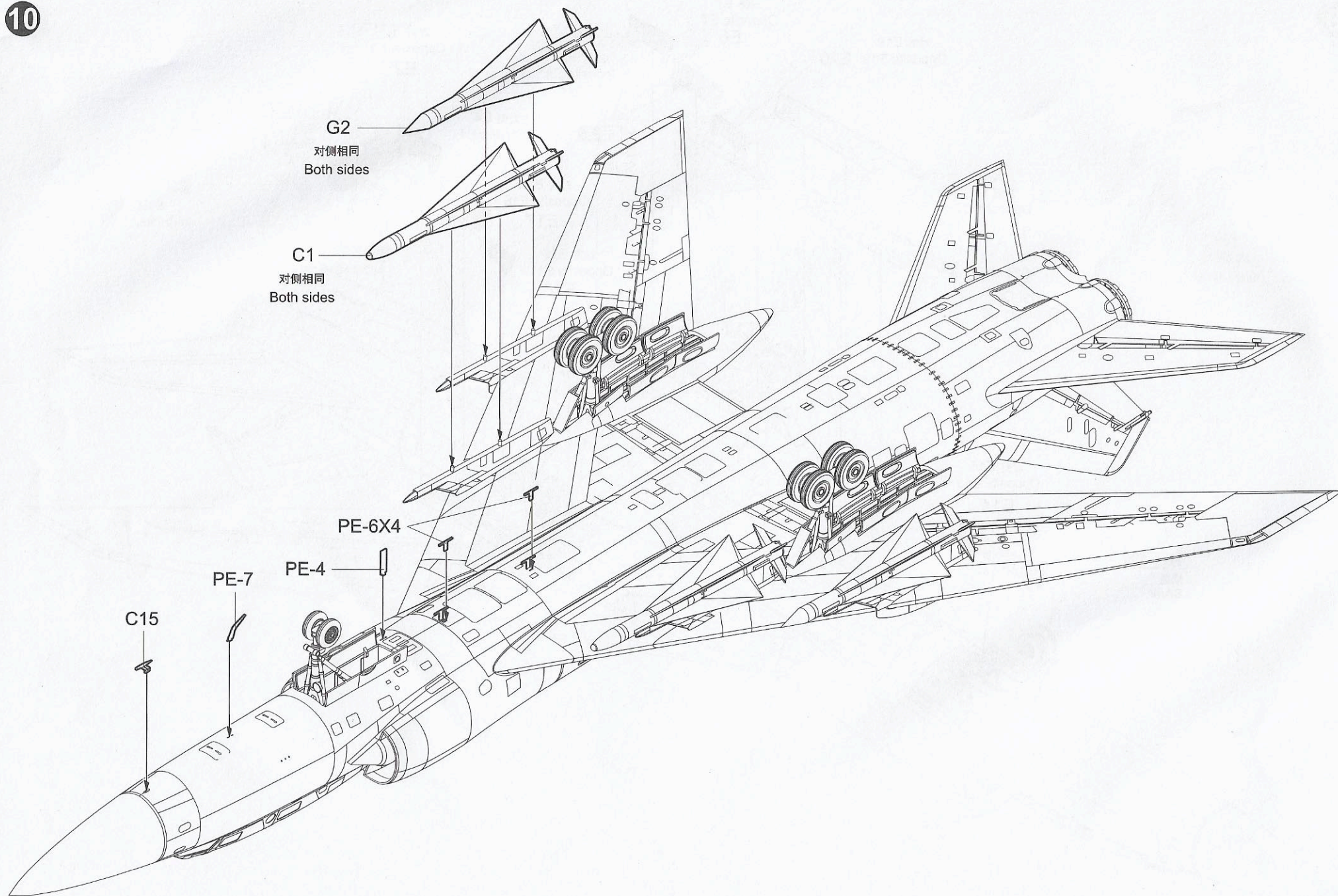
8



9



10

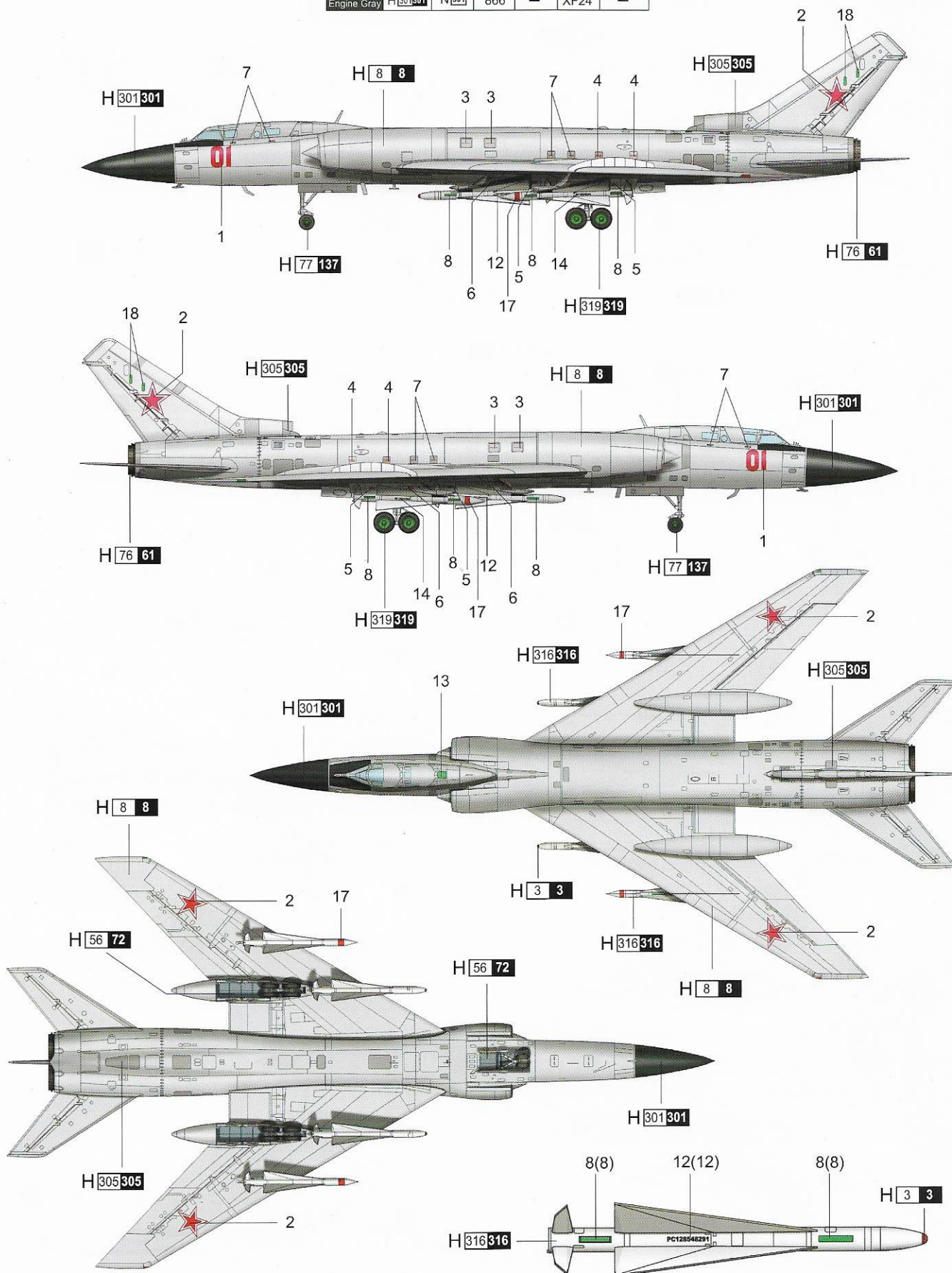


涂装同标贴指示 Painting & Marking guide

PAINT REFERENCE COLOR

Color	Mr.Hobby	Acrysion	Vallejo	Model Master	Tamiya	Humbrol	Color	Mr.Hobby	Acrysion	Vallejo	Model Master	Tamiya	Humbrol
浅松叶色 Light Green	H 819 319	N 819	—	1713	—	117	灰色 Medium Gunship Gray	H 305 305	N 305	868	1723	XF58	125
白色 White	H 316 316	N 316	991	1745	X2	22	银色 Silver	H 8 8	N 8	997	1546	X11	11
暗黑色 Tire Black	H 77 137	N 77	—	—	—	—	红色 Red	H 3 3	N 3	908	1503	X4	19
烧铁色 Burnt Iron	H 76 61	N 76	863	1795	X10	53	灰蓝色 Intermediate Blue	H 56 72	N 56	903	1795	—	144
灰色 Engine Gray	H 301 301	N 301	866	—	XF24	—							

A

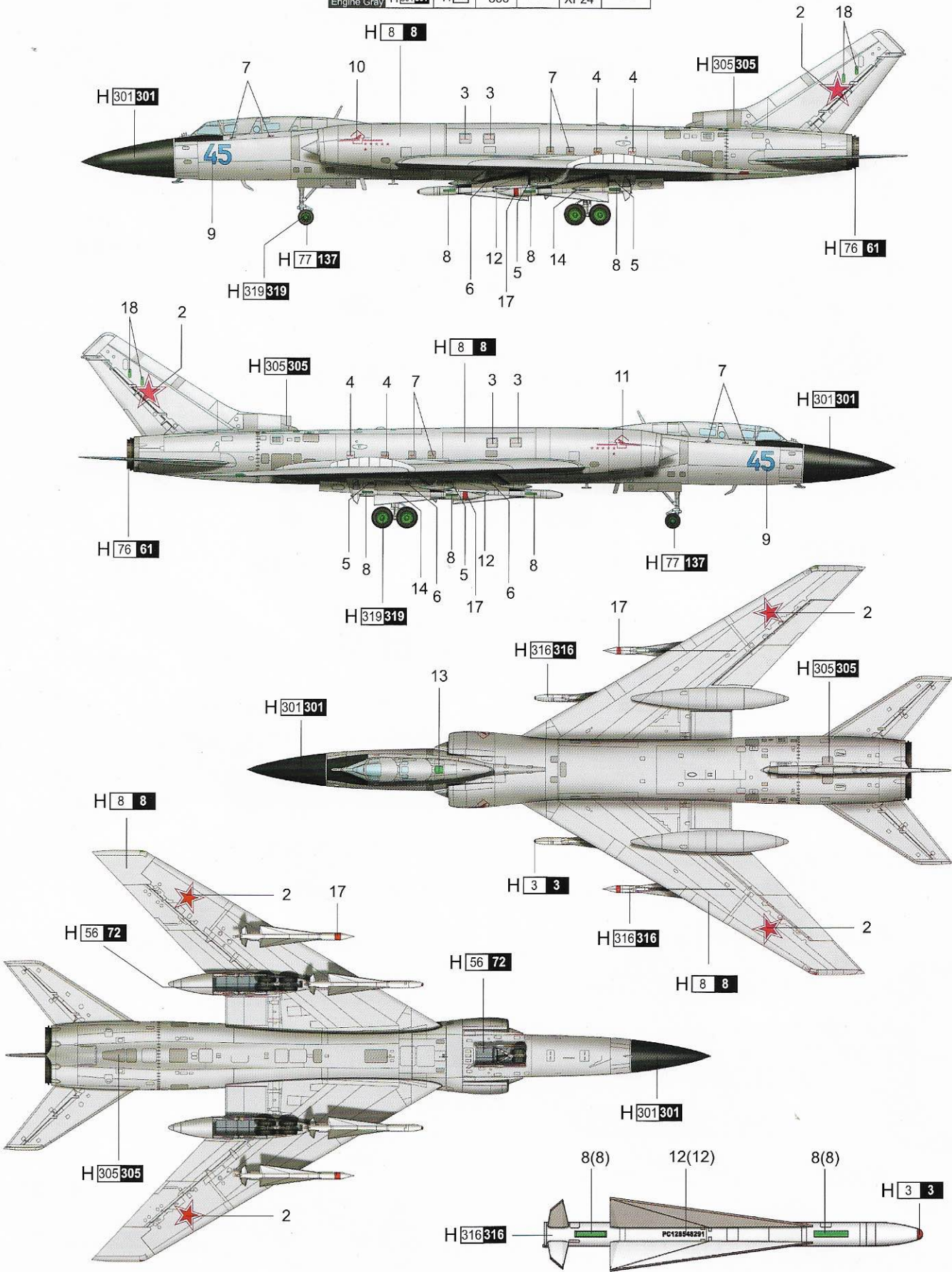


H [] AQUEOUS HOBBY COLOR [] Mr. COLOR N [] ACRYSION COLOR

涂装同标贴指示 Painting & Marking guide

B

PAINT REFERENCE COLOR													
Color	Mr.Hobby	Acryslon	Vallejo	Model Master	Tamiya	Humbrol	Color	Mr.Hobby	Acryslon	Vallejo	Model Master	Tamiya	Humbrol
浅绿色 Light Green	H[519]319	H[519]	—	1713	—	117	灰色 Medium Gunship Gray	H[305]305	H[305]	868	1723	XF58	125
白色 White	H[316]316	H[316]	991	1745	X2	22	银色 Silver	H[8]8	H[8]	997	1546	X11	11
黑色 Tire Black	H[77]137	H[77]	—	—	—	—	红色 Red	H[3]3	H[3]	908	1503	X4	19
锈铁色 Burnt Iron	H[76]61	H[76]	863	1795	X10	53	灰蓝色 Intermediate Blue	H[56]72	H[56]	903	1795	—	144
灰色 Engine Gray	H[301]301	H[301]	866	—	XF24	—							



H [] AQUEOUS HOBBY COLOR X [] Mr. COLOR N [] ACRYSLON COLOR