

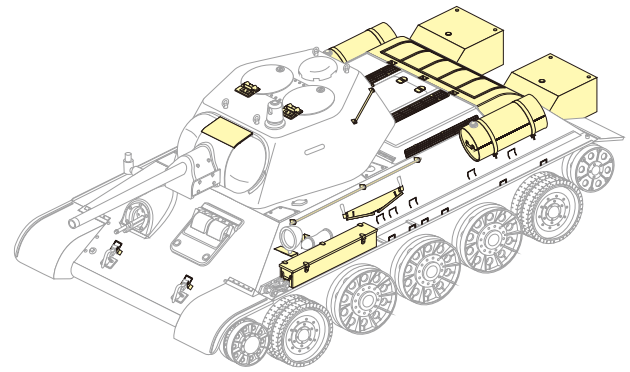
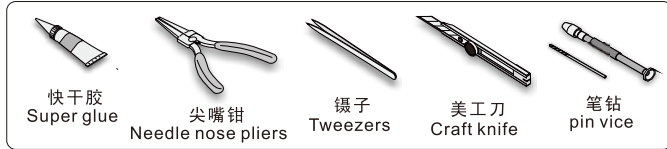
1/35 MILITARY MINIATURE VEHICLE UPGRADE SERIES PE35248

WWII Russian T-34/76 Mod.1943

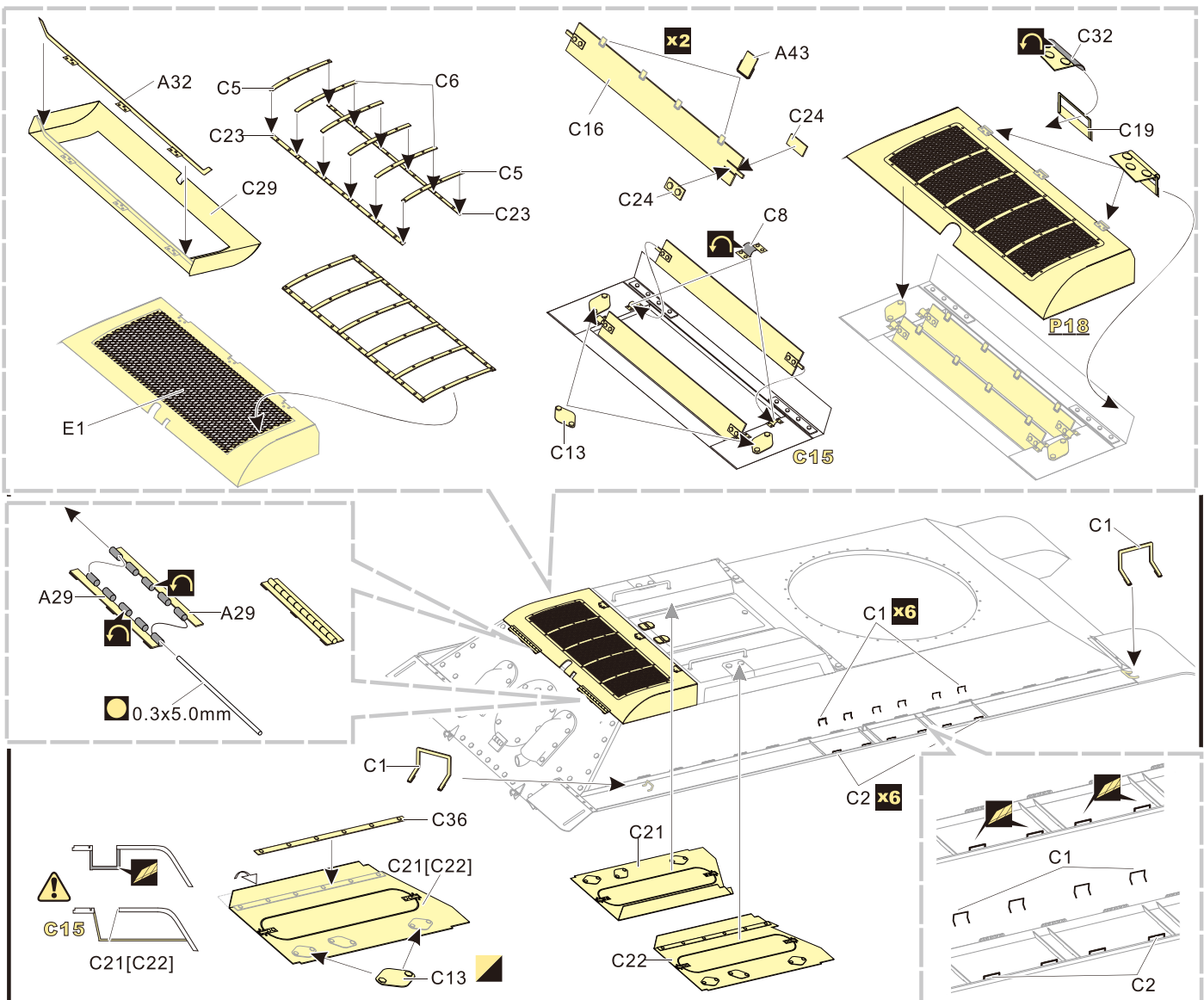
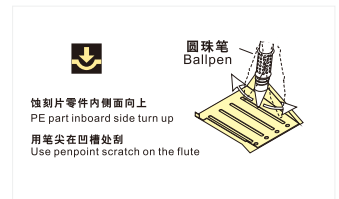
二战苏军T-34/76 1943型改造件

[For DRAGON kit]

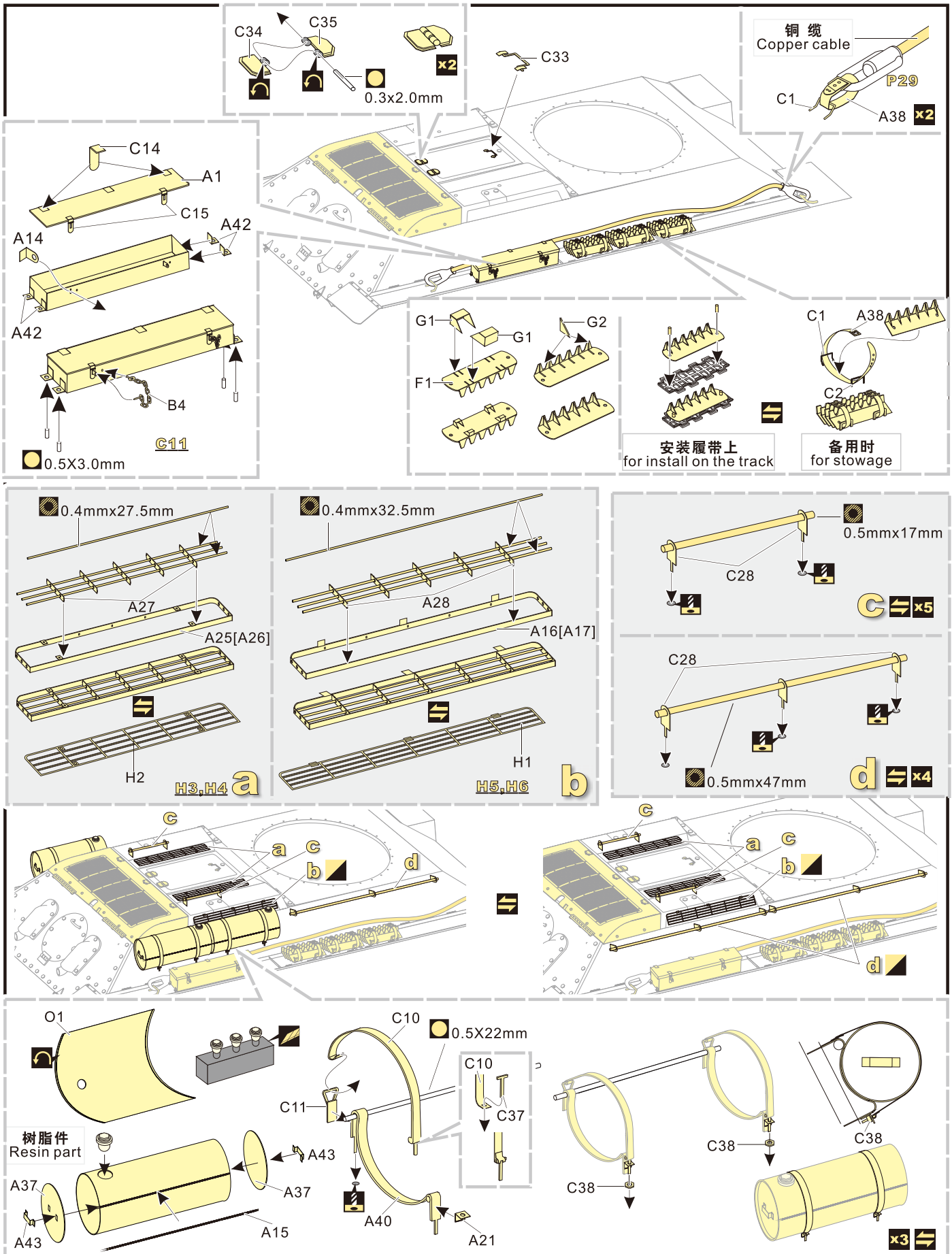
推荐使用工具 RECOMMENDED TOOLS



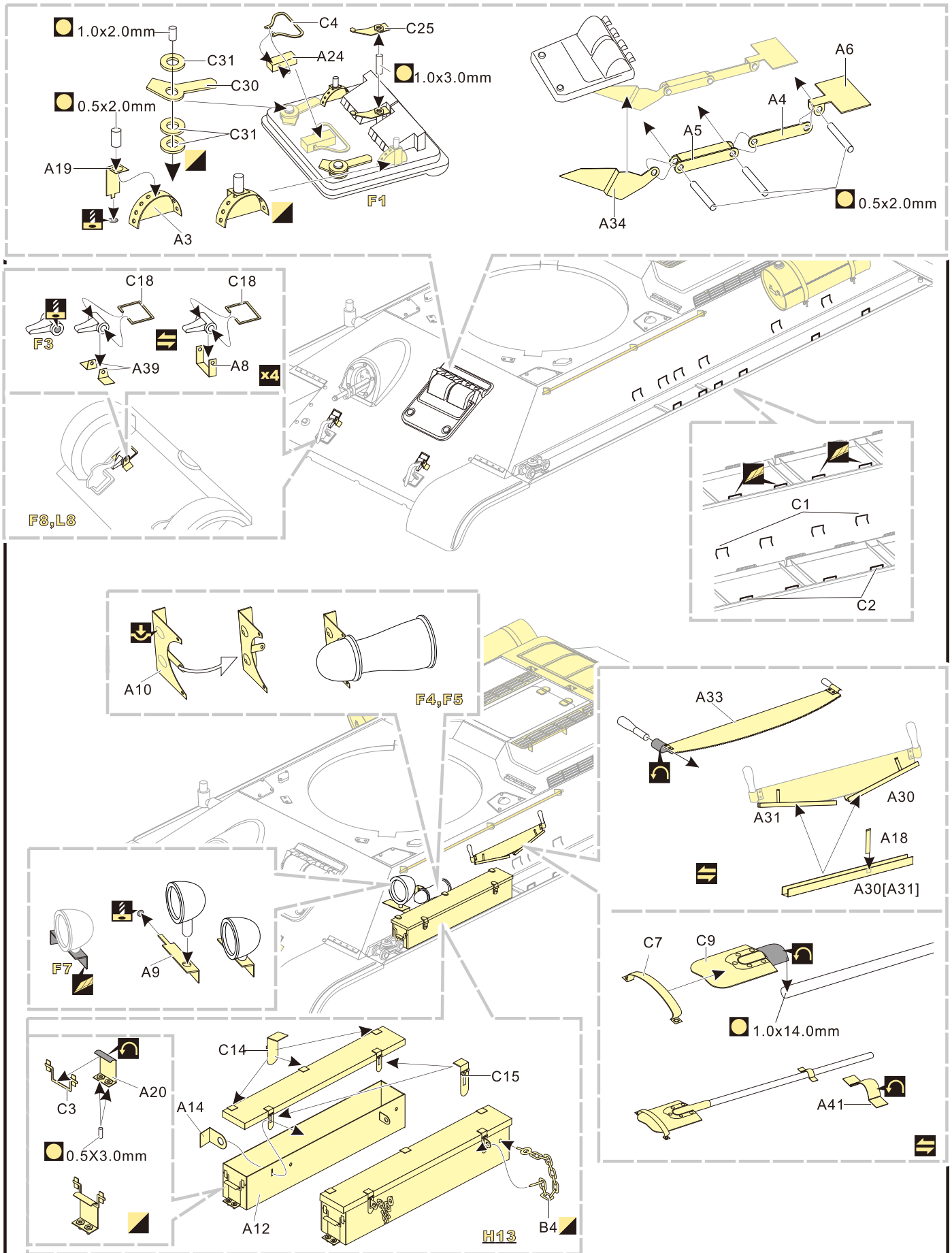
- 安装 install
- 折叠 bend
- A1** 改造件零件编号 PE/resin part number
- B12** 原零件编号 kit part number
- C22** 被替换的原零件编号 replaced kit part number
- x2** 制作若干组 multiple assembly
- 弧度卷曲 radial bending
- 选择安装 alternative
- 切除 remove
- 钻孔 drill
- 注意 caution
- 另一侧相同制作 repeat on opposite side
- 用尖端在凹槽处冲压 use penpoint to press on the dent
- 打磨 grind off
- 填补 fill
- 用铜管制作 make from brass tube
- 用胶棒制作 make from plastic rod



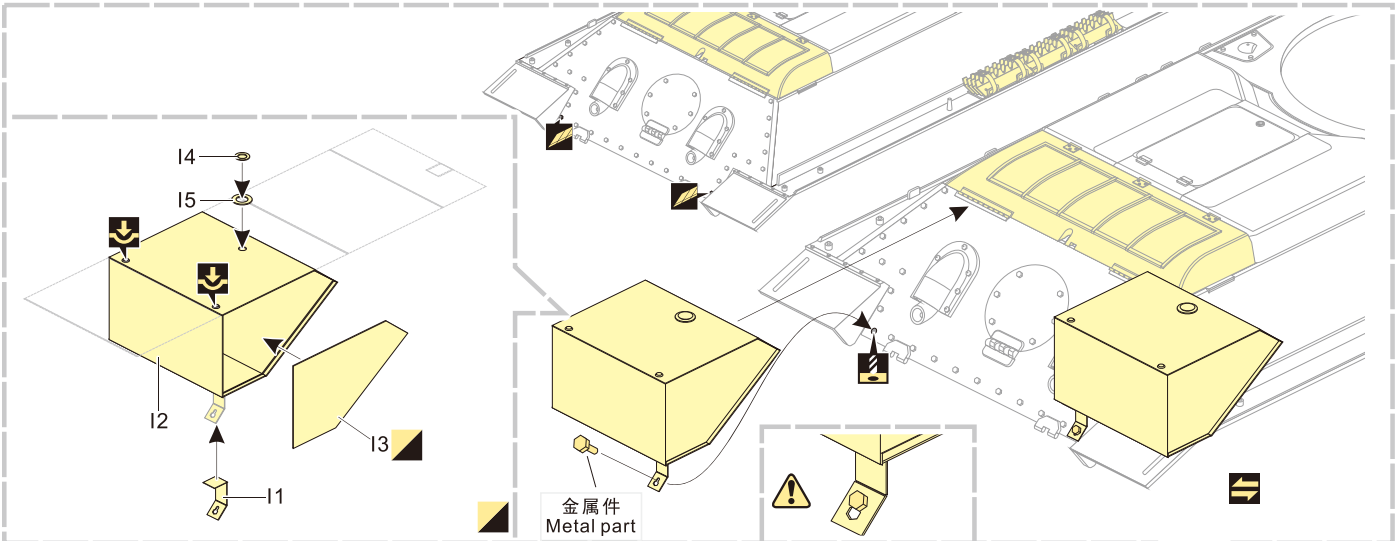
1/35 MILITARY MINIATURE VEHICLE UPGRADE SERIES PE35248



1/35 MILITARY MINIATURE VEHICLE UPGRADE SERIES PE35248



1/35 MILITARY MINIATURE VEHICLE UPGRADE SERIES PE35248



VOYAGERMODEL® The Best Upgrade Solution	无微不至 精益求精
Recommended item	
Pe35125	WWII Russia T-34 mod.42-44 fenders
Pea 079	WWII USSR T-34/76 or T-34/85 Ice cleats set

