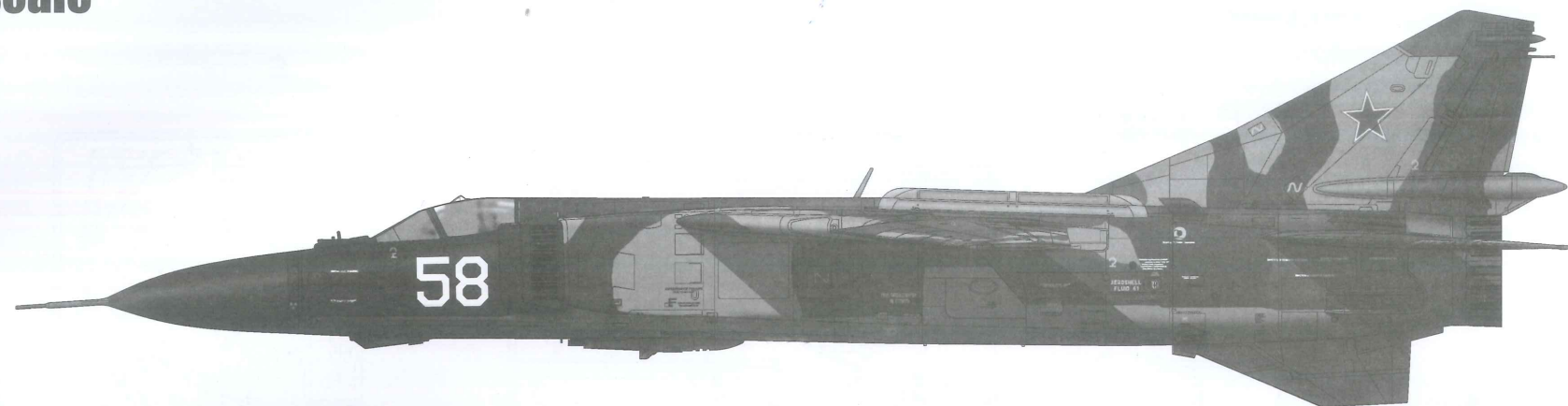


1/48 scale

ITEM NO.:02856



Russian MIG-23MLD Flogger-K

俄罗斯米格-23MLD“鞭挞者-K”战斗机

READ BEFORE ASSEMBLY:

- Study and understand these instructions thoroughly before beginning assembly
- When needed, remove photo-etch parts carefully using a modeling knife or photo etch sprue cutter, being careful not to damage or lose small parts.
- Take extra care in handling photo etch parts in order to avoid injury
- Apply instant cement sparingly to photo etch parts where instructed

- Tools recommended(not included in kit):Plastic and instant cements,sprue cutters,long nose pliers,modeling knife, small files, tweezers, pin vise & scissors. Soft cloth and sandpaper will also assist in construction
- Glue and paint are not included in the kit. Use plastic cement and hobby paints only. Color guide for purchasing paint is included in the kit.

装配之前仔细阅读

- 小心用模型锉刀锉平所有零件表面的注射浇口。
- 小心用刀片切下蚀刻片零件，不要遗失小零件。
- 用强力快干胶水粘合蚀刻片零件和金属轴。过量快干胶水使用可能导致可动零件会粘住，小心涂胶。
- 取蚀刻片时应特别注意安全，防止利边划伤手指。
- 某些零件表面需贴水上贴纸，请选择在装配的同时进行。
- 推荐模型工具(自备)：胶水，水口剪刀，长咀钳，刀片，锉刀，镊子，钳，钻，剪刀，瞬间快干胶。
- 软布同砂纸同时也应该是必备工具。
- 请使用塑料胶水和油漆，模型内不含。

水贴纸的使用:

1. 从水贴纸上剪下印花;
2. 将印花放入温水中浸10秒，然后放在干净布上。
3. 拿着印花纸板将印花移到模型上;
4. 手指蘸水将印花移到适当的位置;
5. 用软布轻压印花直至水干，气泡消失。

DECAL APPLICATION:

1. Cut decals from sheet as needed
2. Dip the decal in warm water for about 10 seconds and then place on soft clean cloth.
3. Hold the decal backing sheet edge and gently slide the decal onto the model in its proper position.

4. While still wet,decal can be adjusted for better fit on model by dampening it gently with your finger.
5. When placed in the proper position,gently press decal down with a soft cloth until excess water and air bubbles are gone.
6. Allow decal to dry completely before handling model



cyanoacrylate glue
使用强力胶



weight
配重



make hole
钻孔



cut / remove
切除



option
选择



no cement
不涂胶水



decal
贴纸



bend
弯曲

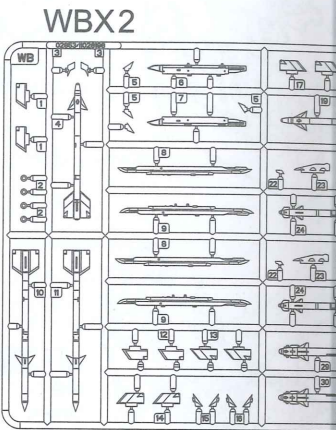
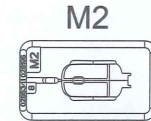
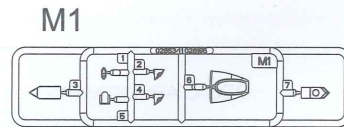
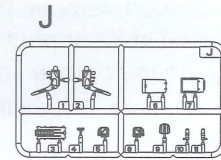
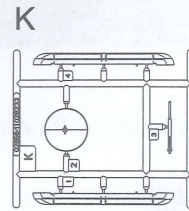
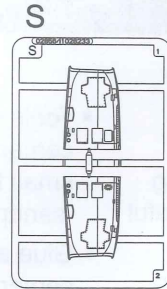
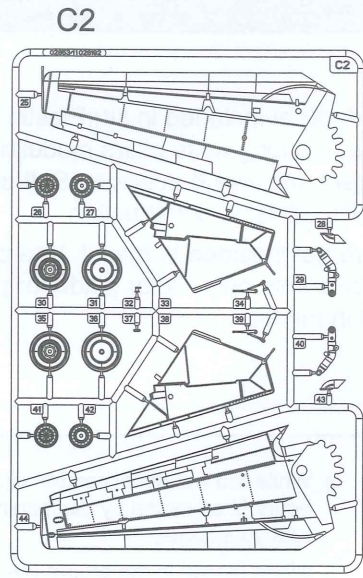
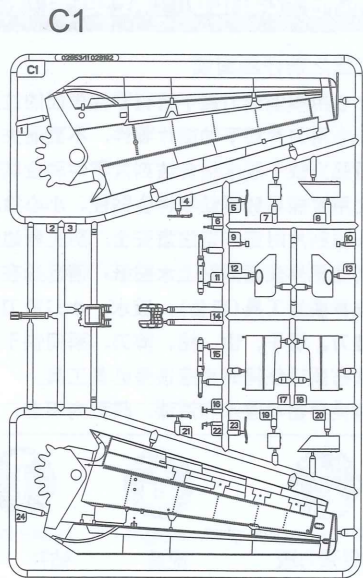
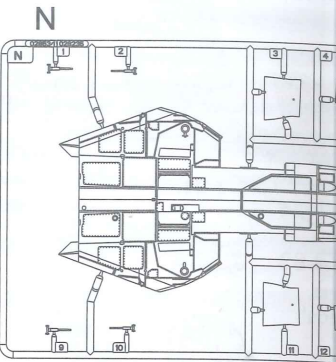
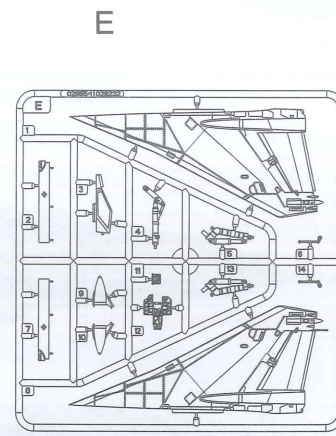
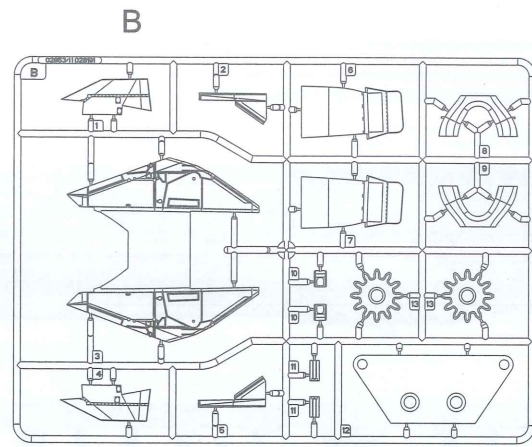
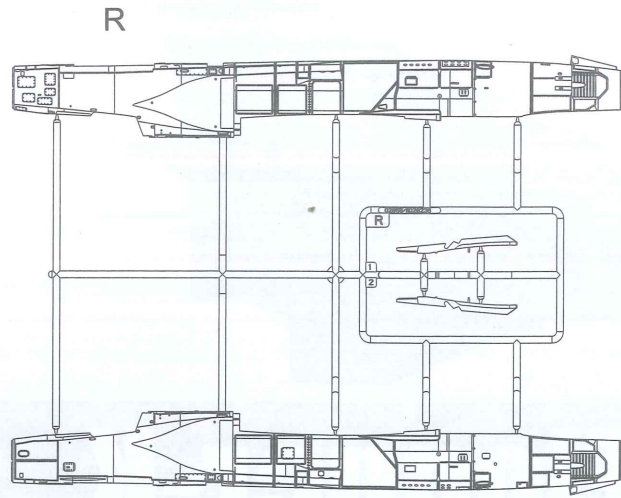


file / sand
锉平

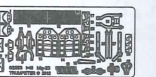
02856

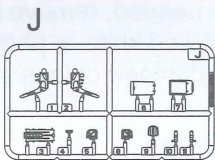
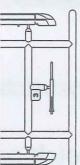
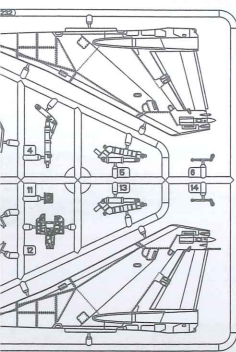
1

部品图
Parts

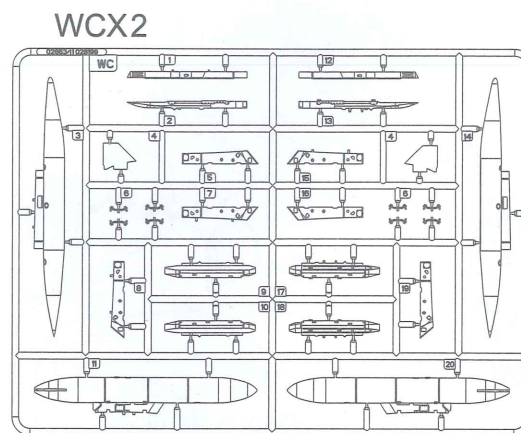
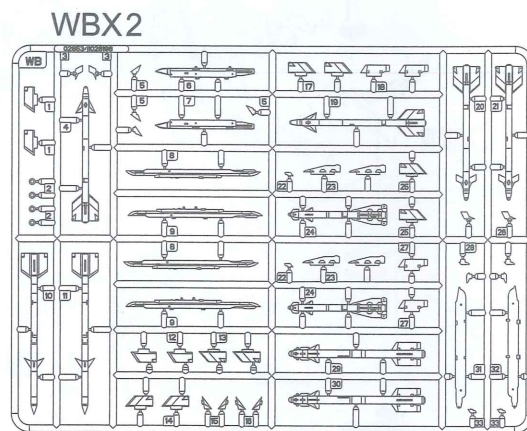
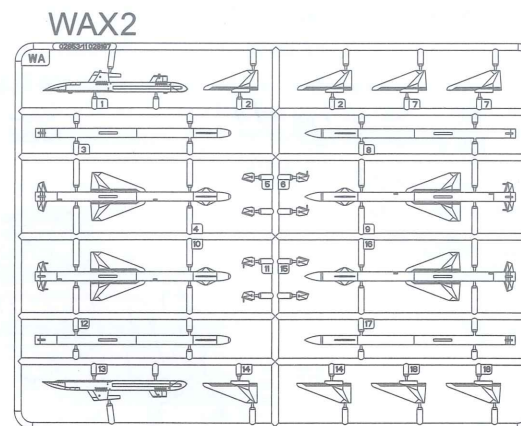
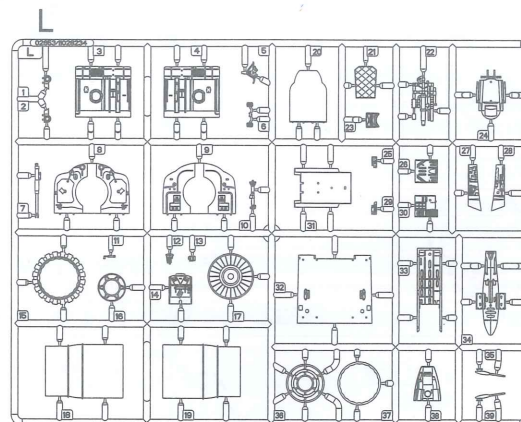
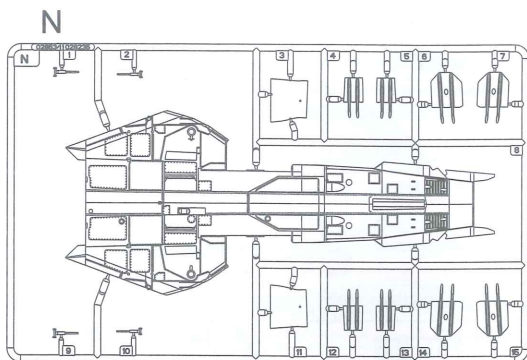
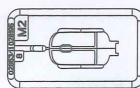


《蚀刻片》
Photo etched parts (PE)



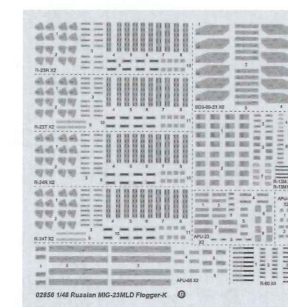
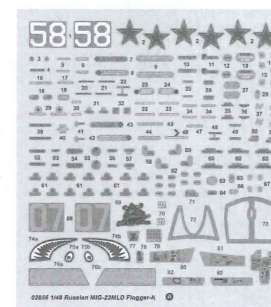


M2



《水贴》A
Decal A

《水贴》B
Decal B



《蚀刻片》
Photo etched parts(PE)



《尾喷管》I
Tail spout



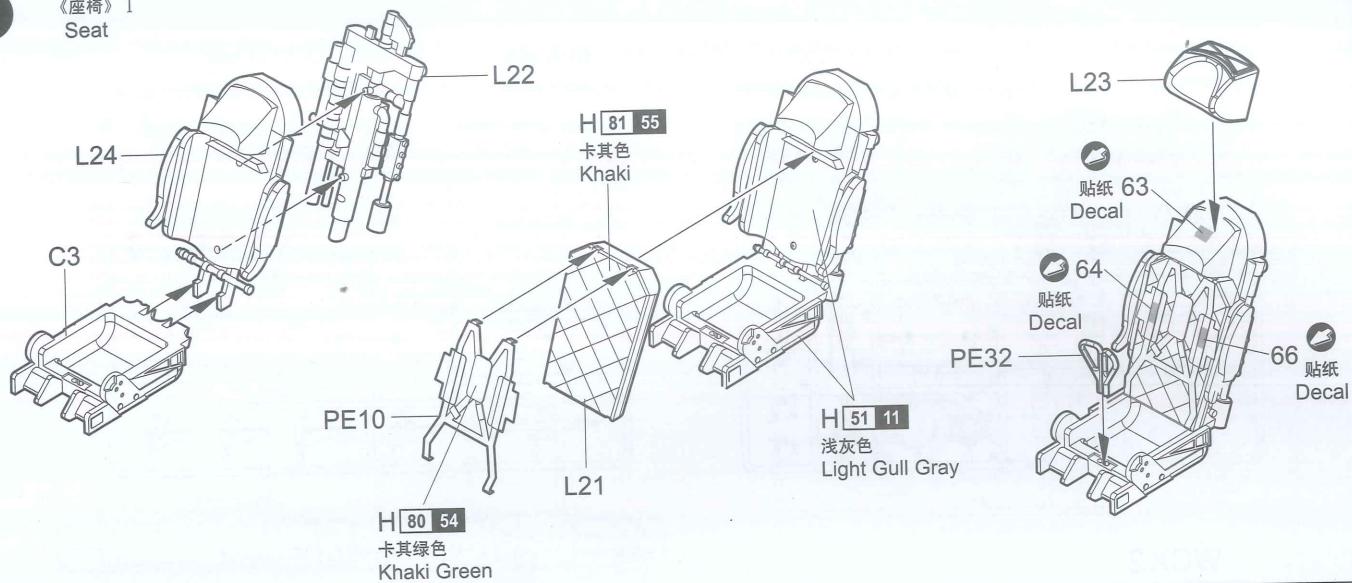
《尾喷管》II
Tail spout



不用的部件: C9 C10 C37 WC1 WC2 WC12 WC13
Unused parts WB(28、29、30、31、32)

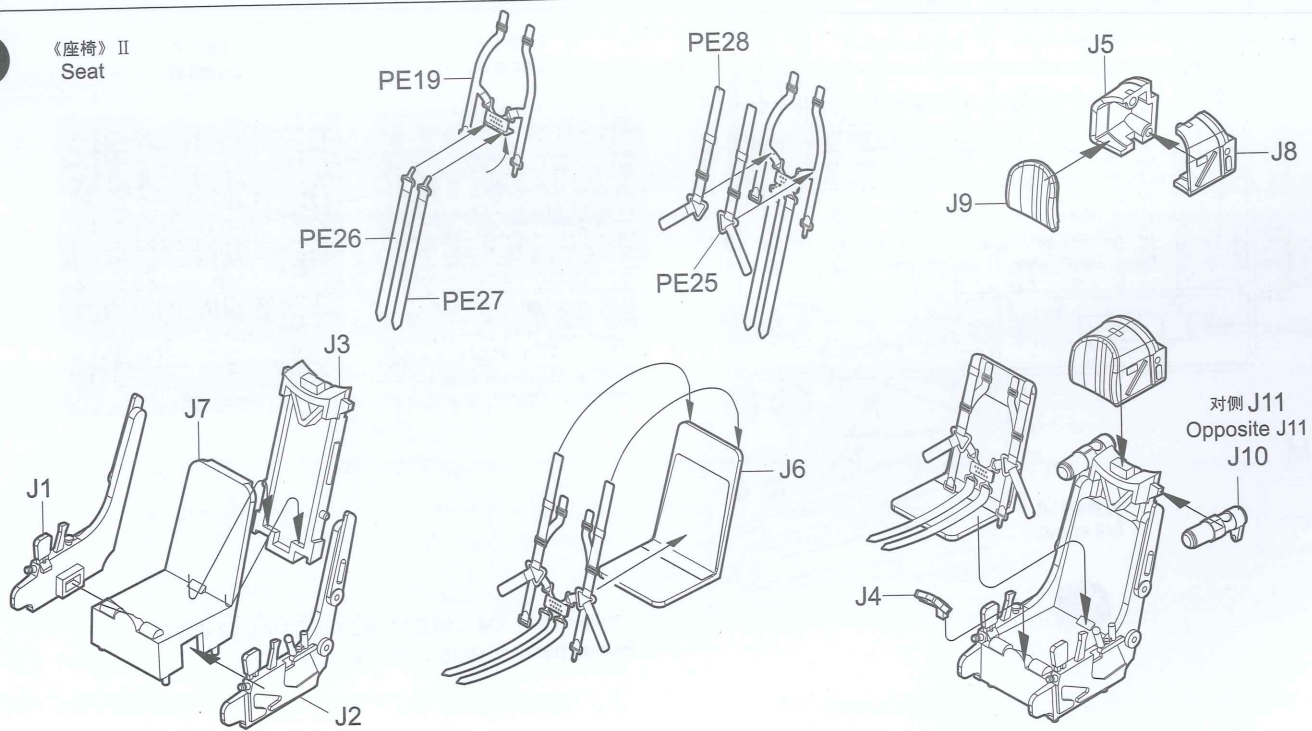
1

《座椅》I
Seat



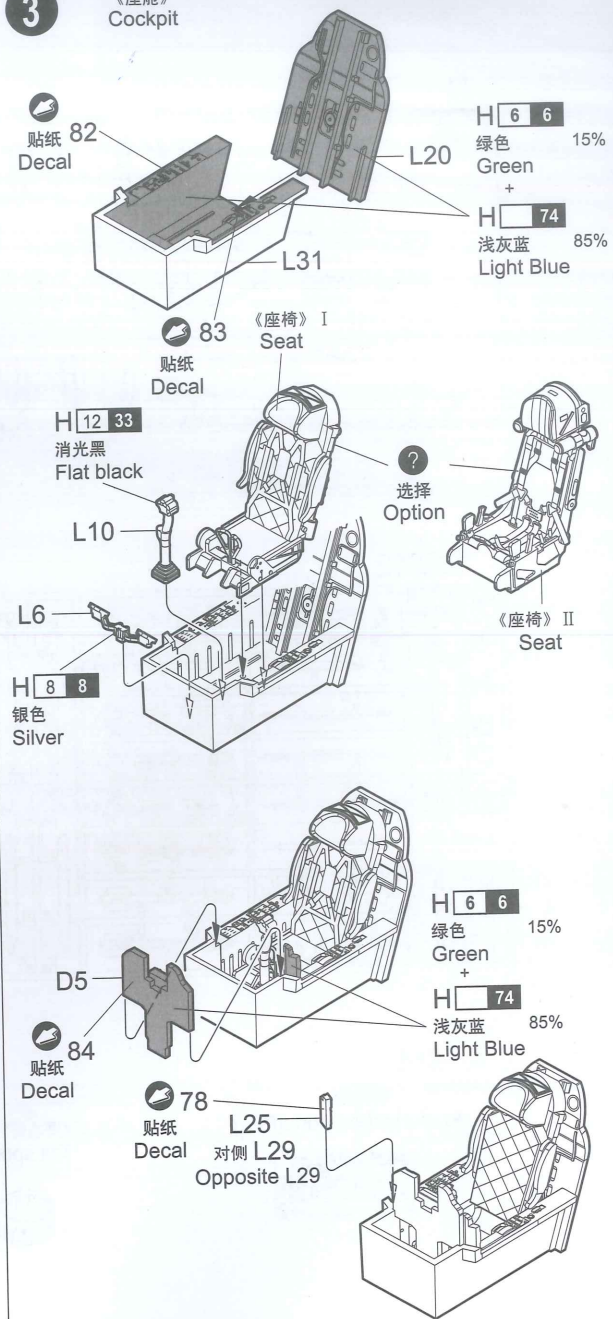
2

《座椅》II
Seat



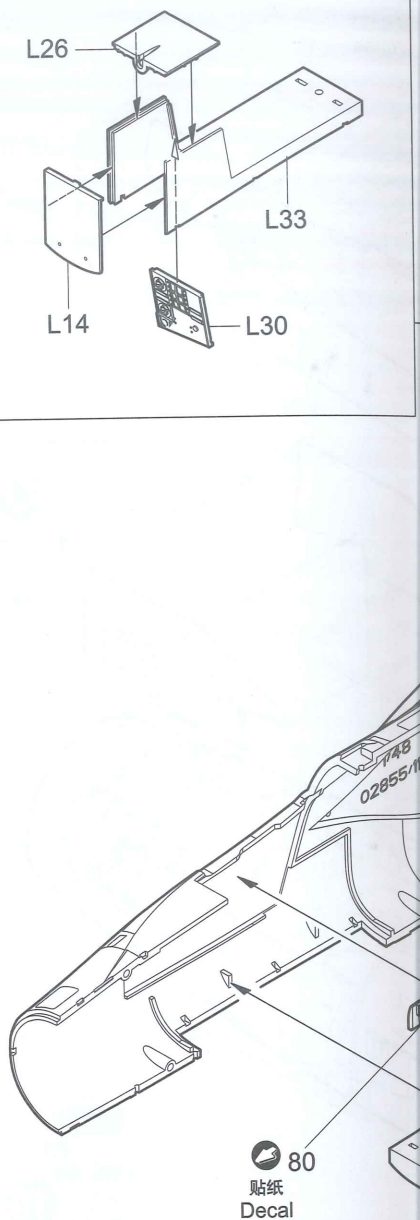
3

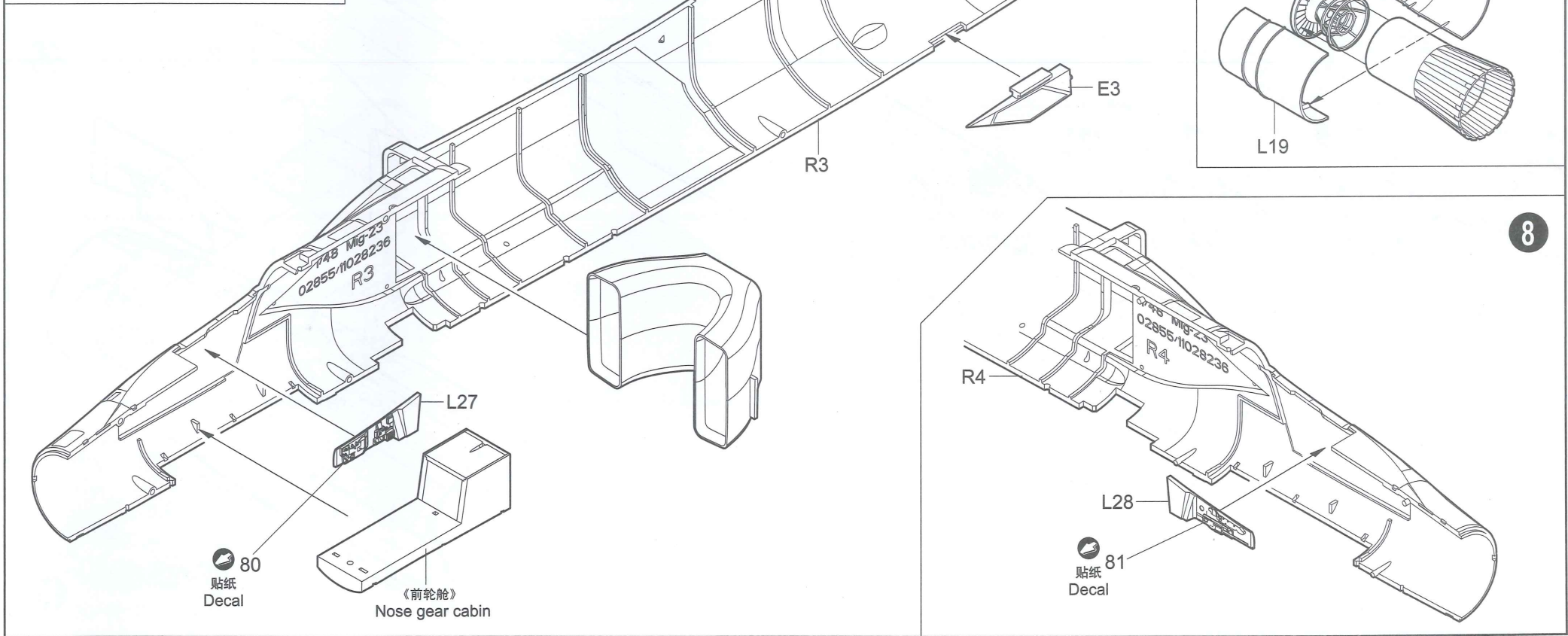
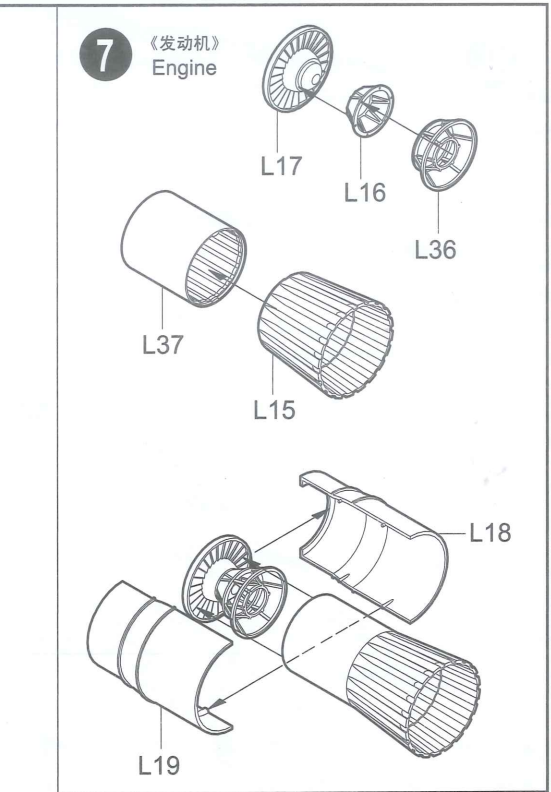
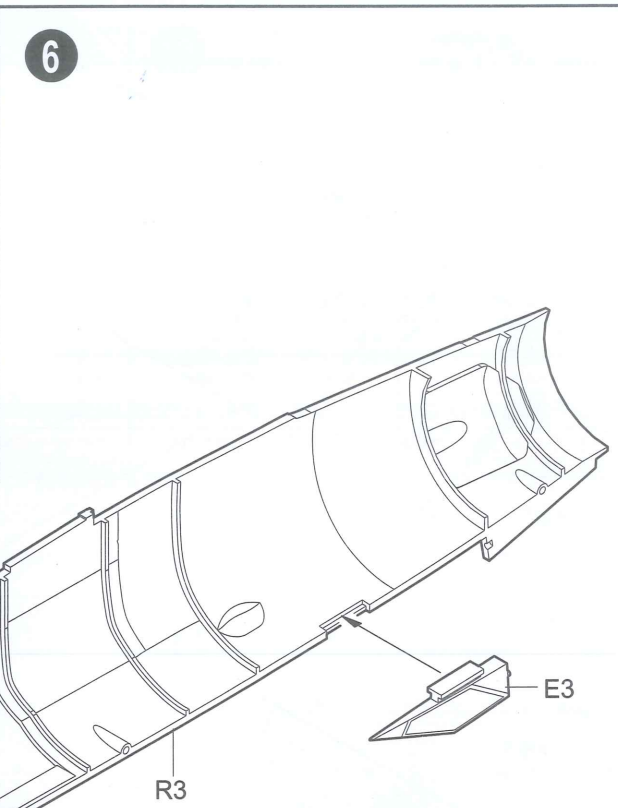
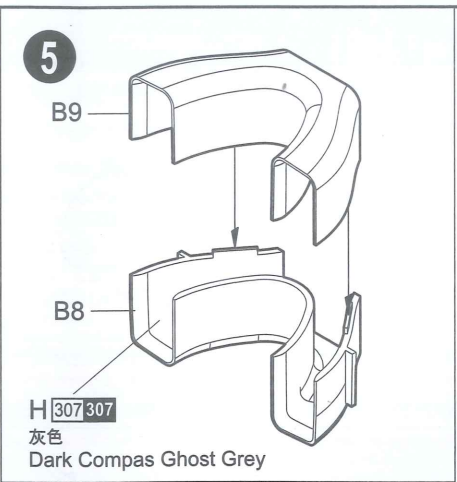
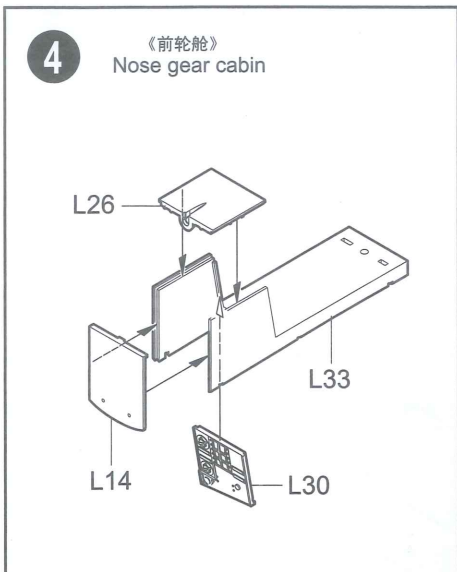
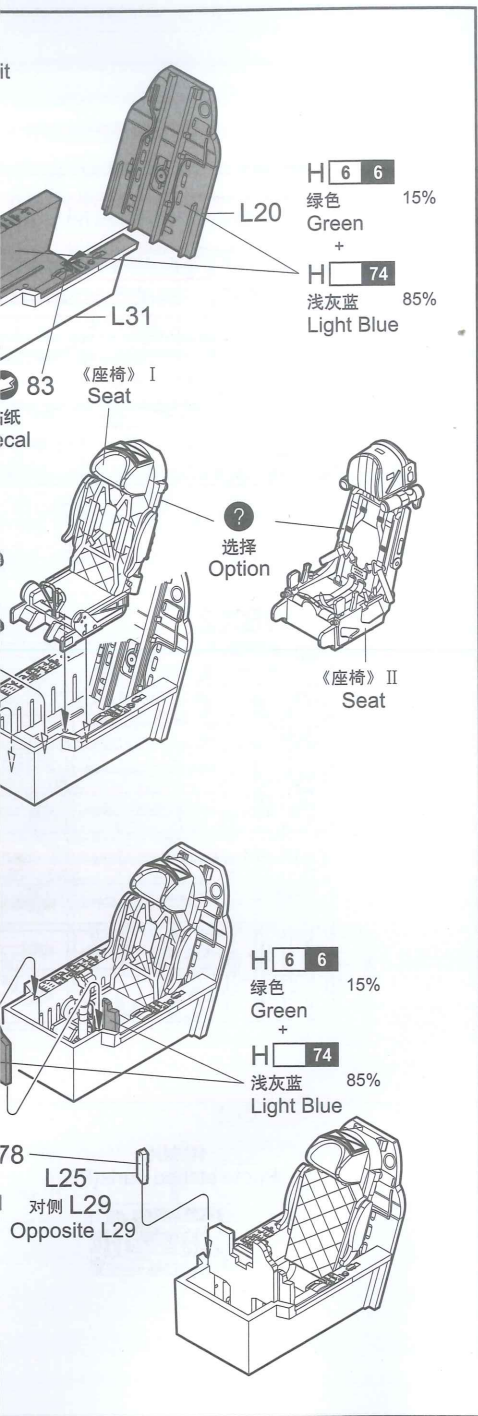
《座舱》
Cockpit



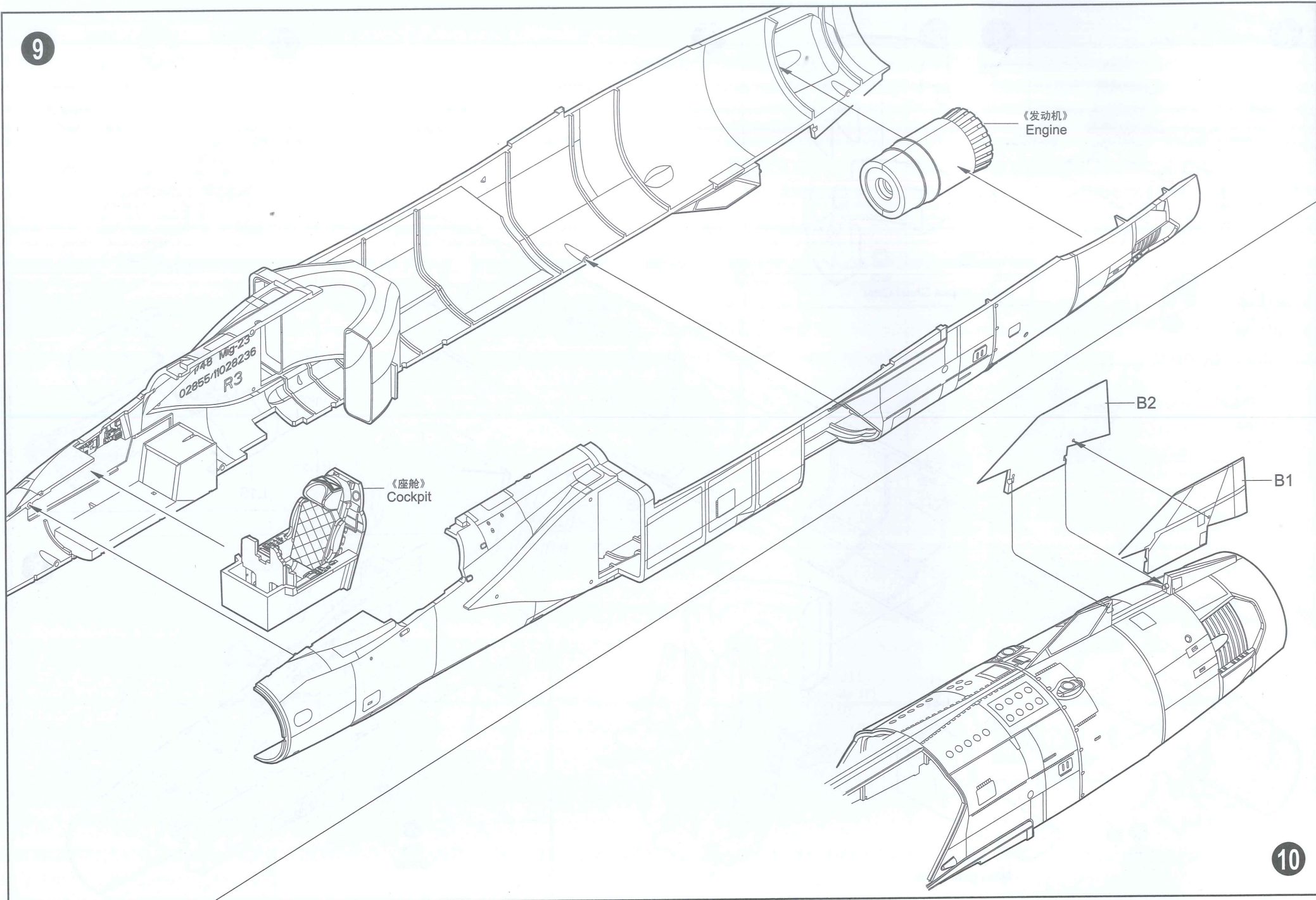
4

《前轮舱》
Nose gear cabin





9

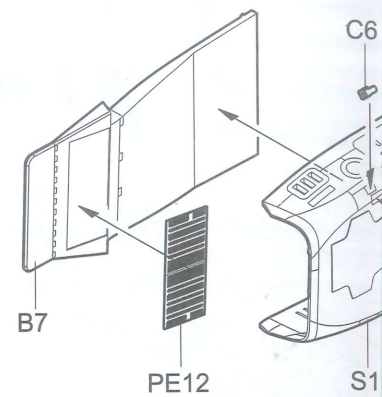


02856

6

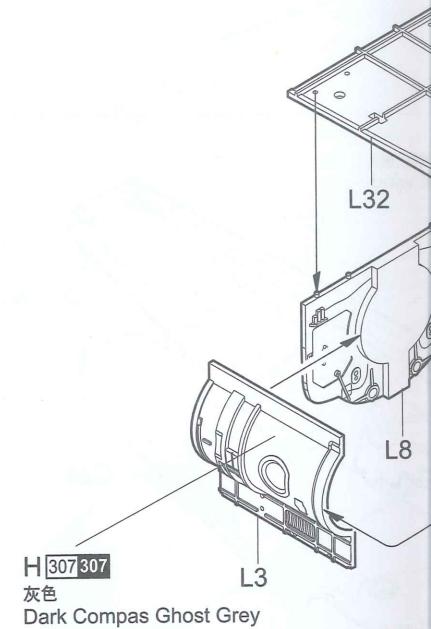
11

《右侧进气道》
Right air intake



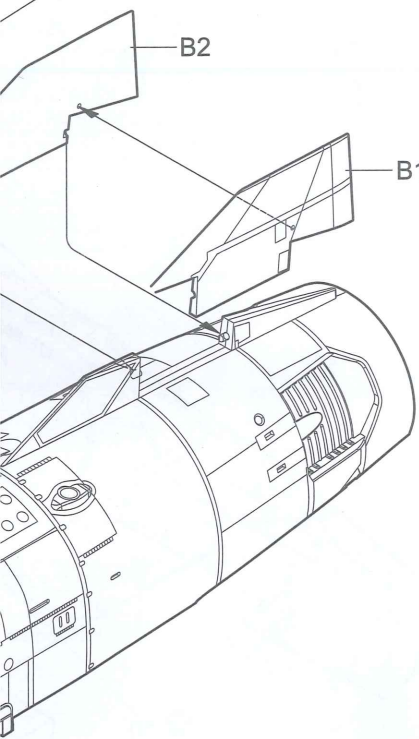
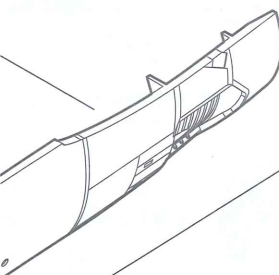
13

《主轮舱》
Main gear cabin



02856

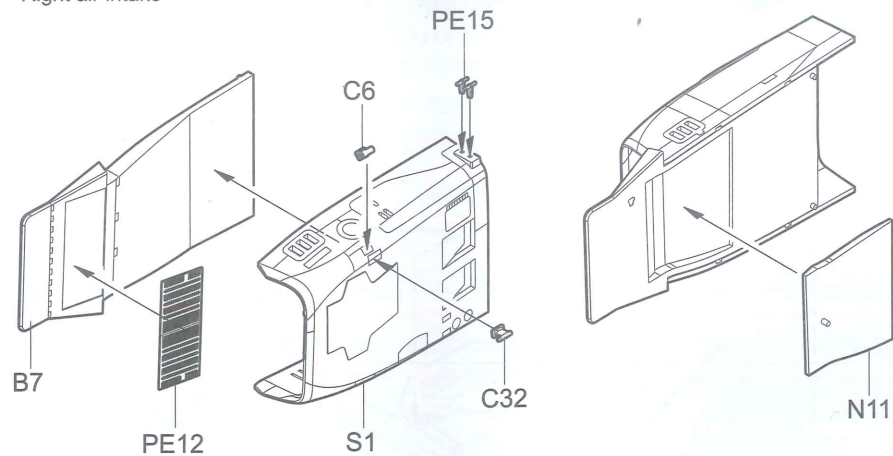
《发动机》
Engine



10

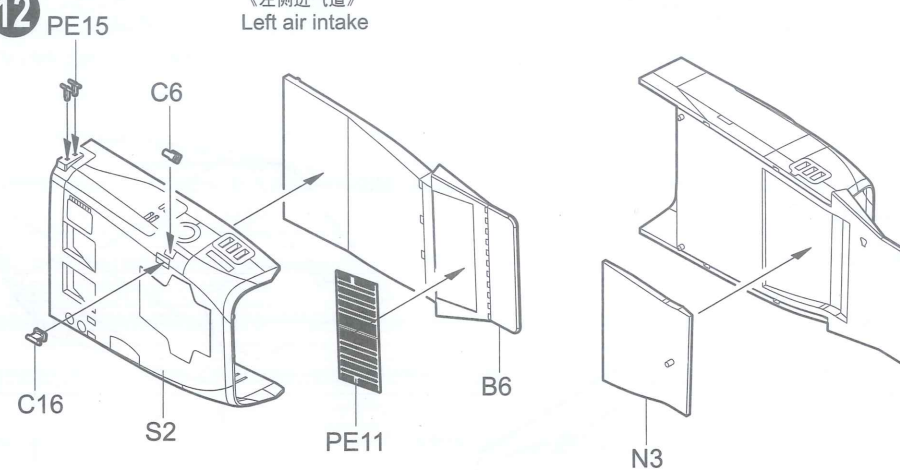
11

《右侧进气道》
Right air intake



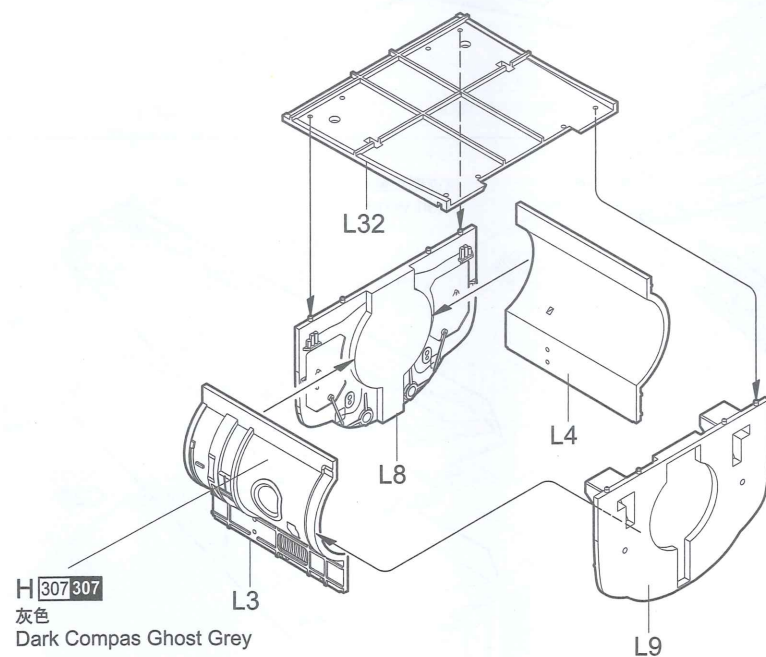
12

《左侧进气道》
Left air intake

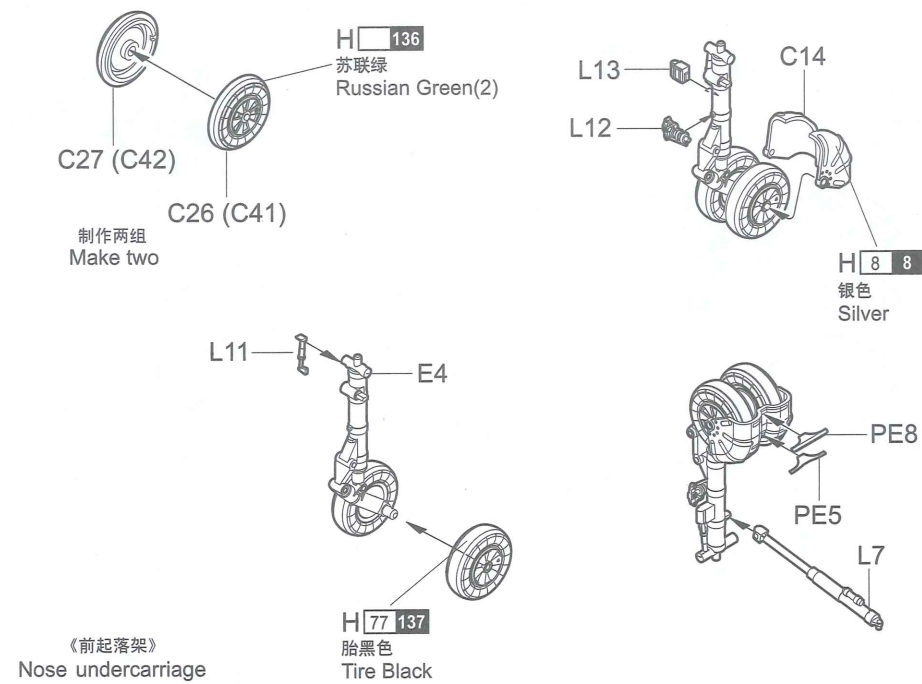


13

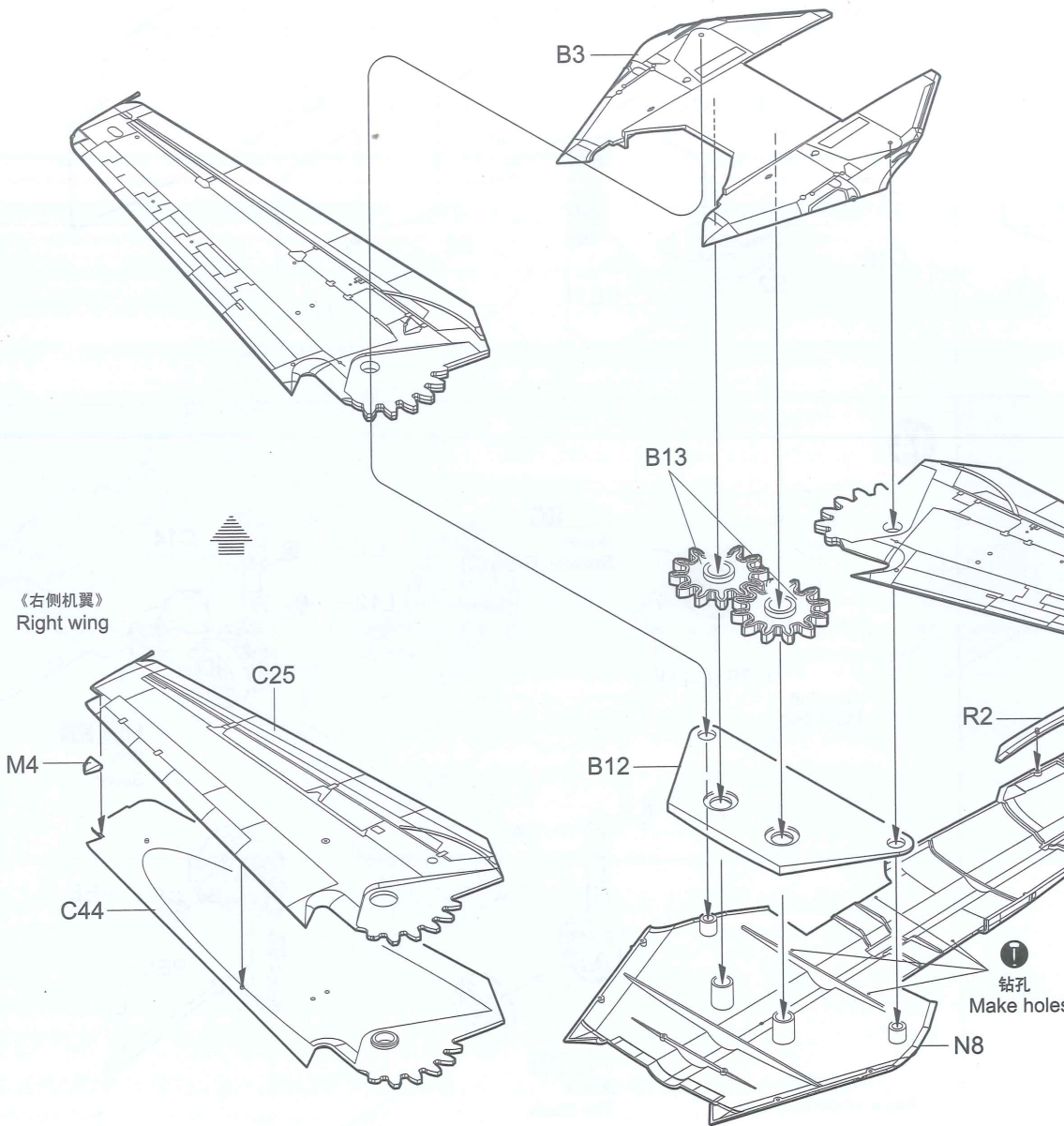
《主轮舱》
Main gear cabin



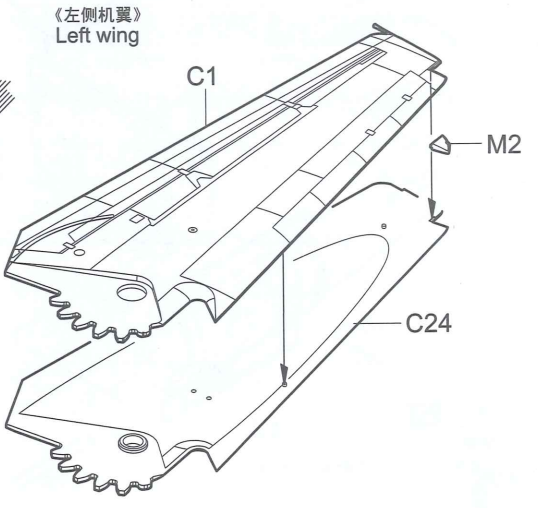
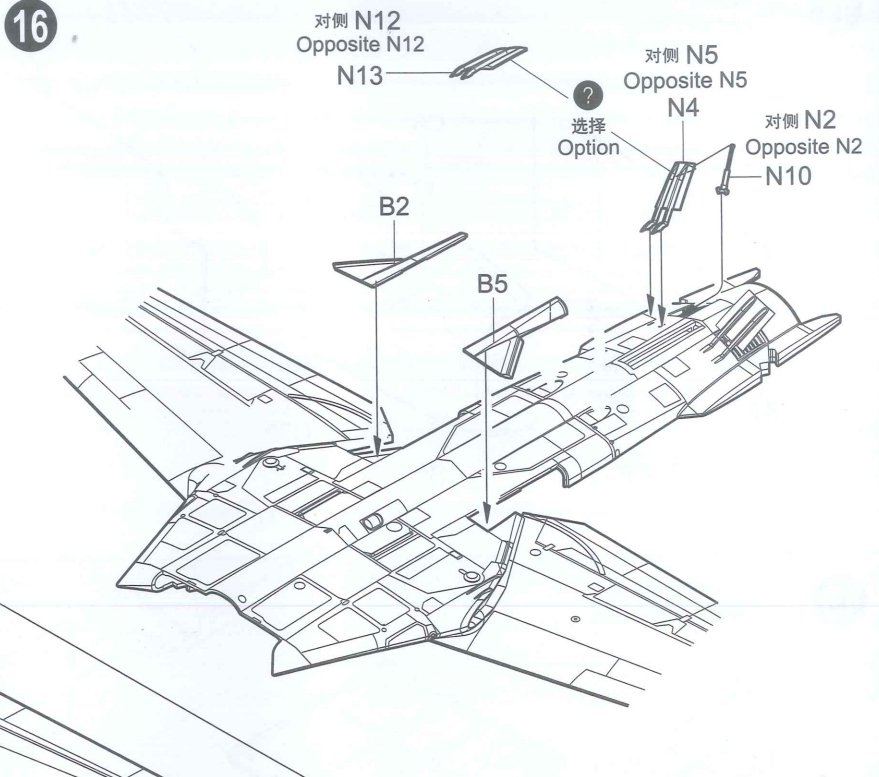
14



15

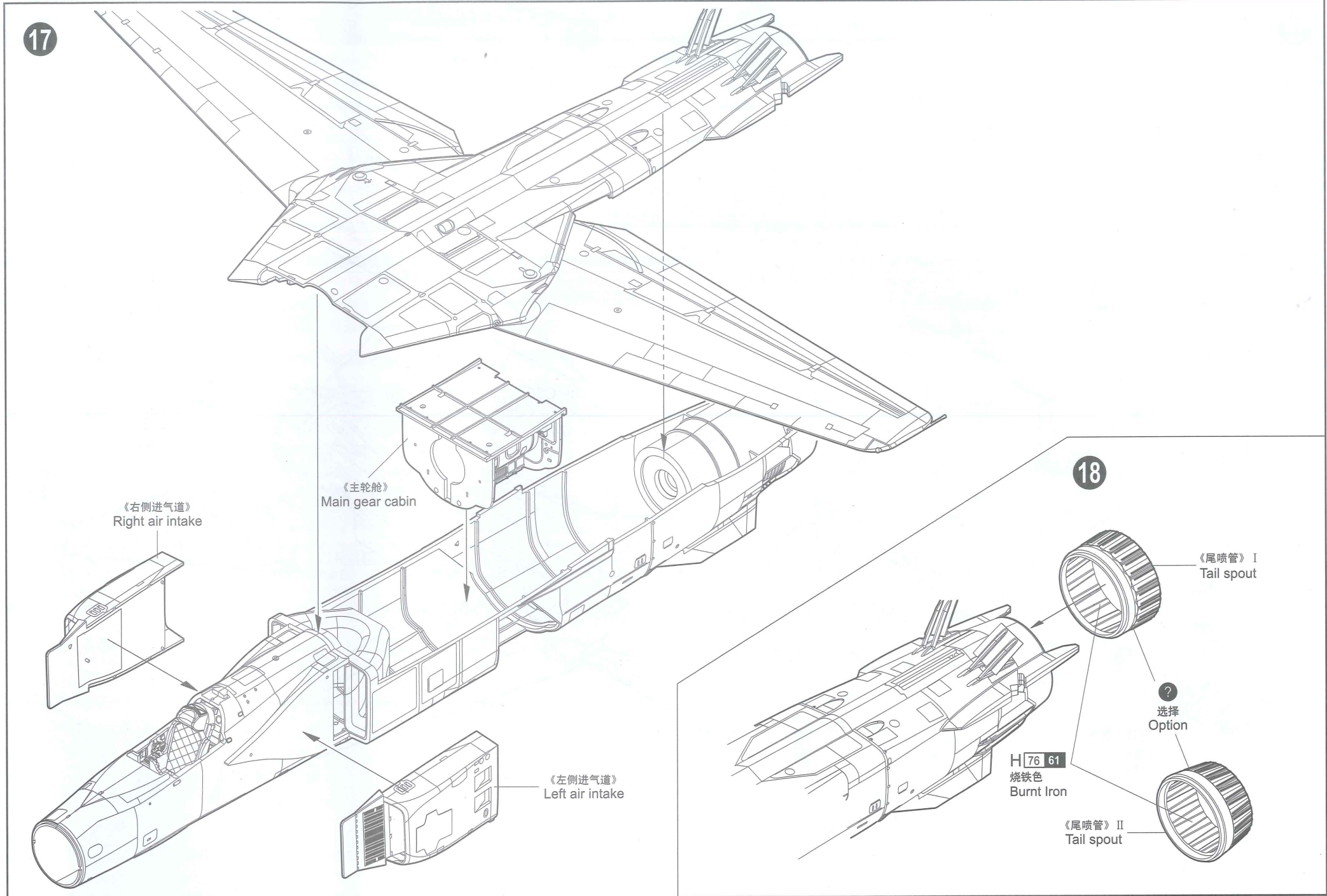
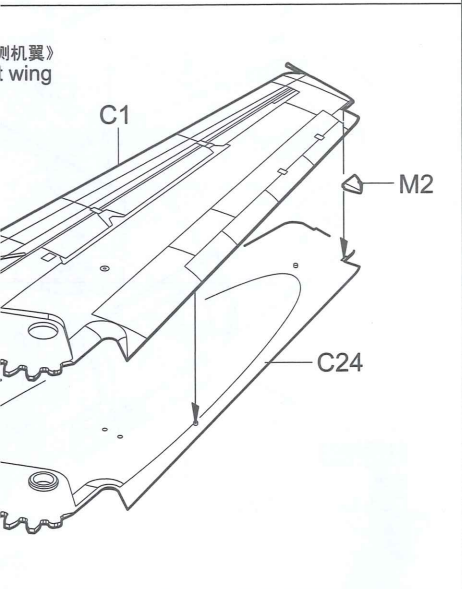
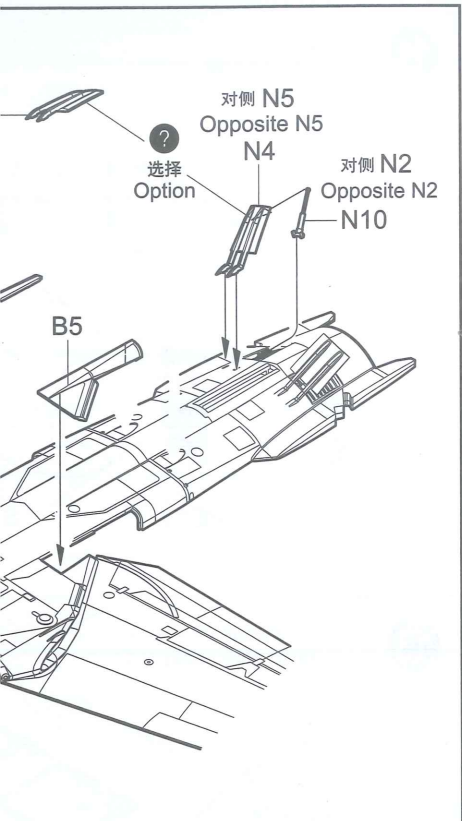


16



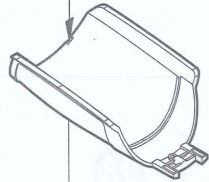
17





19

对侧 PE22
Opposite PE22
PE18



M8

M5

E11

77
贴纸
Decal

L38

H 2 2
黑色
Black

M6



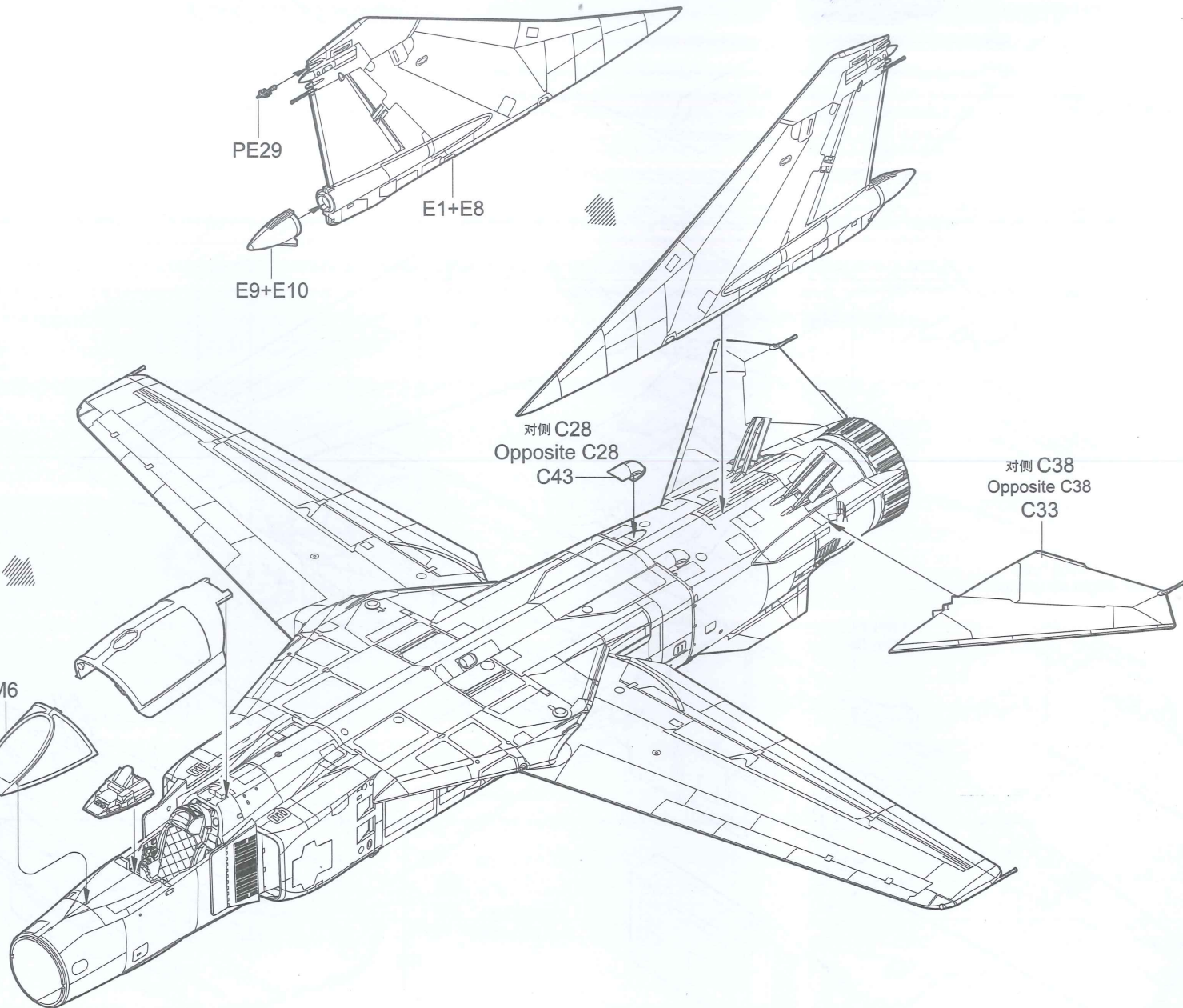
PE29

E1+E8

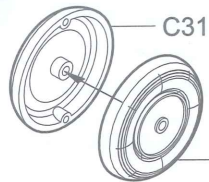
E9+E10

对侧 C28
Opposite C28
C43

对侧 C38
Opposite C38
C33



20



C31

C30

PE23



C19



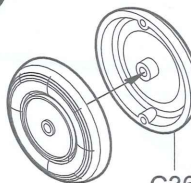
E5



C40

H 8 8
银色
Silver

21



C35

C36

PE17

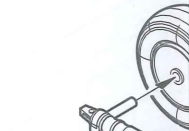
PE20



C7

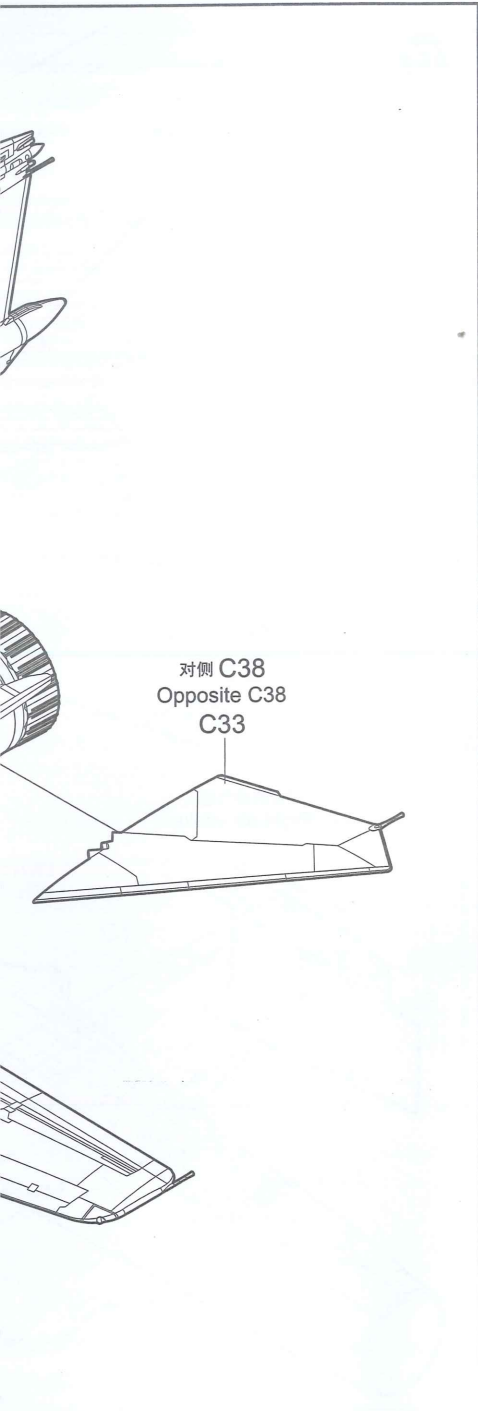


E13

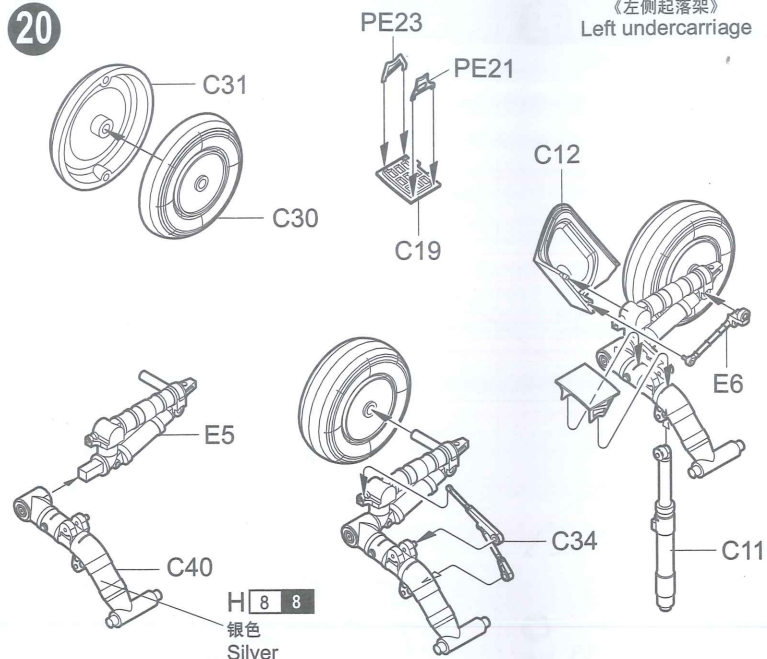


C39

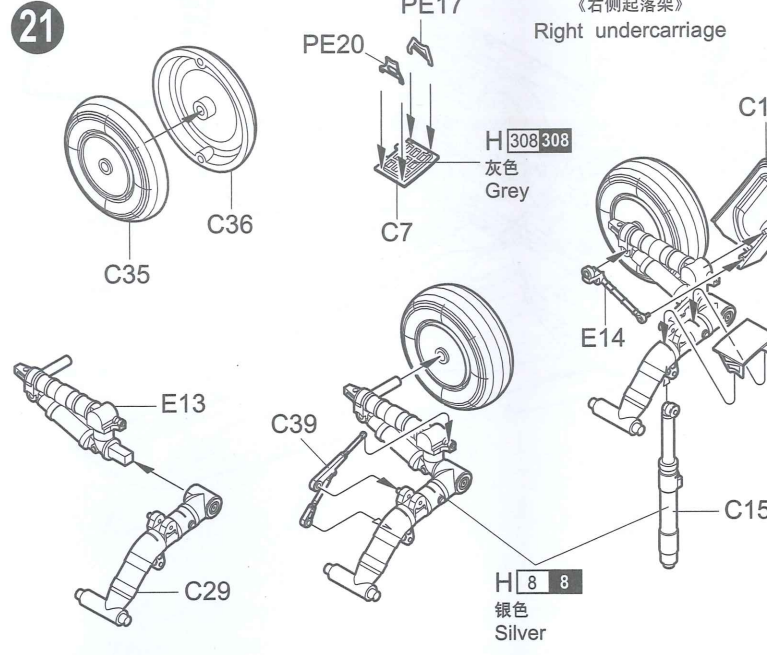
C29



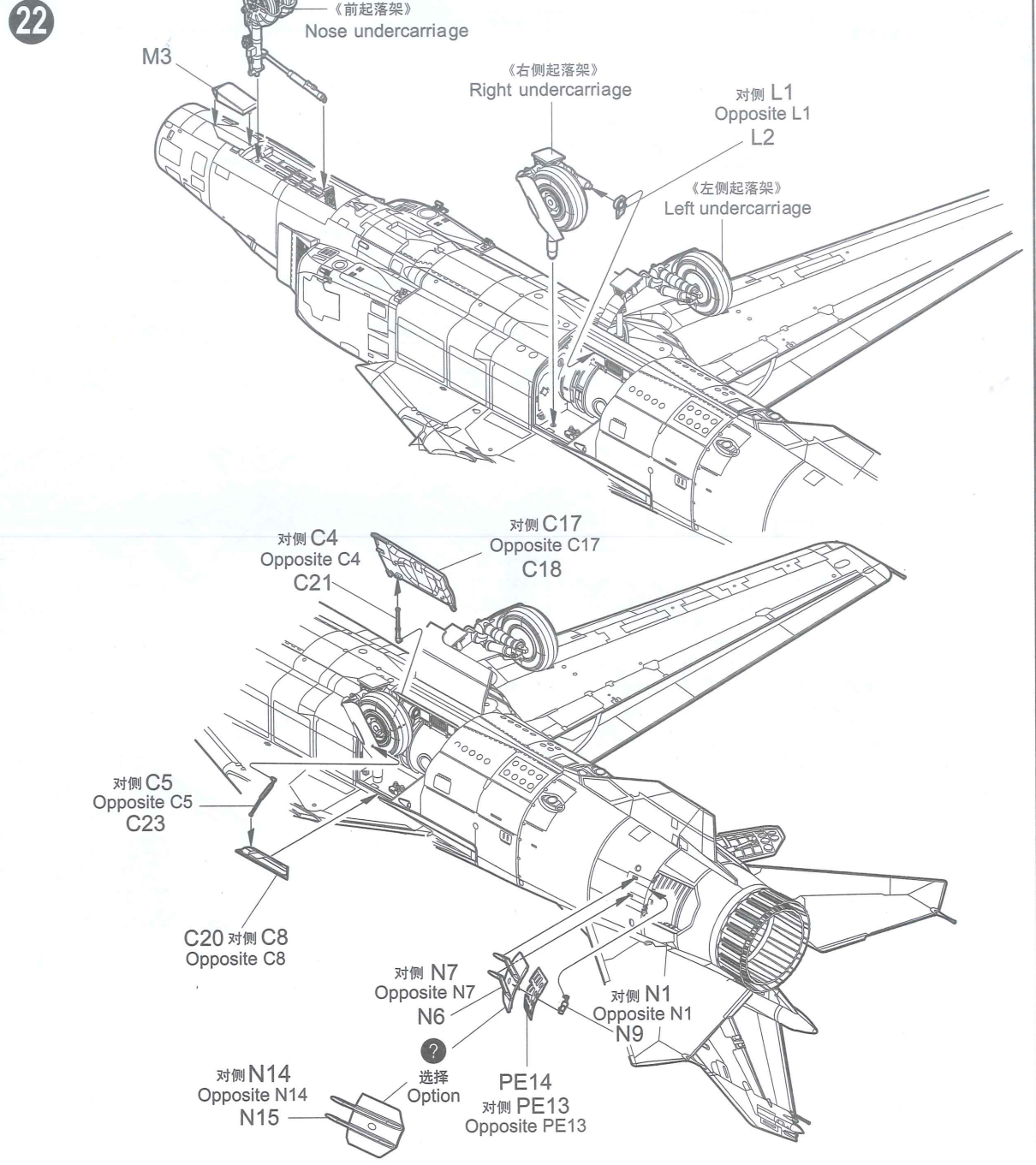
20



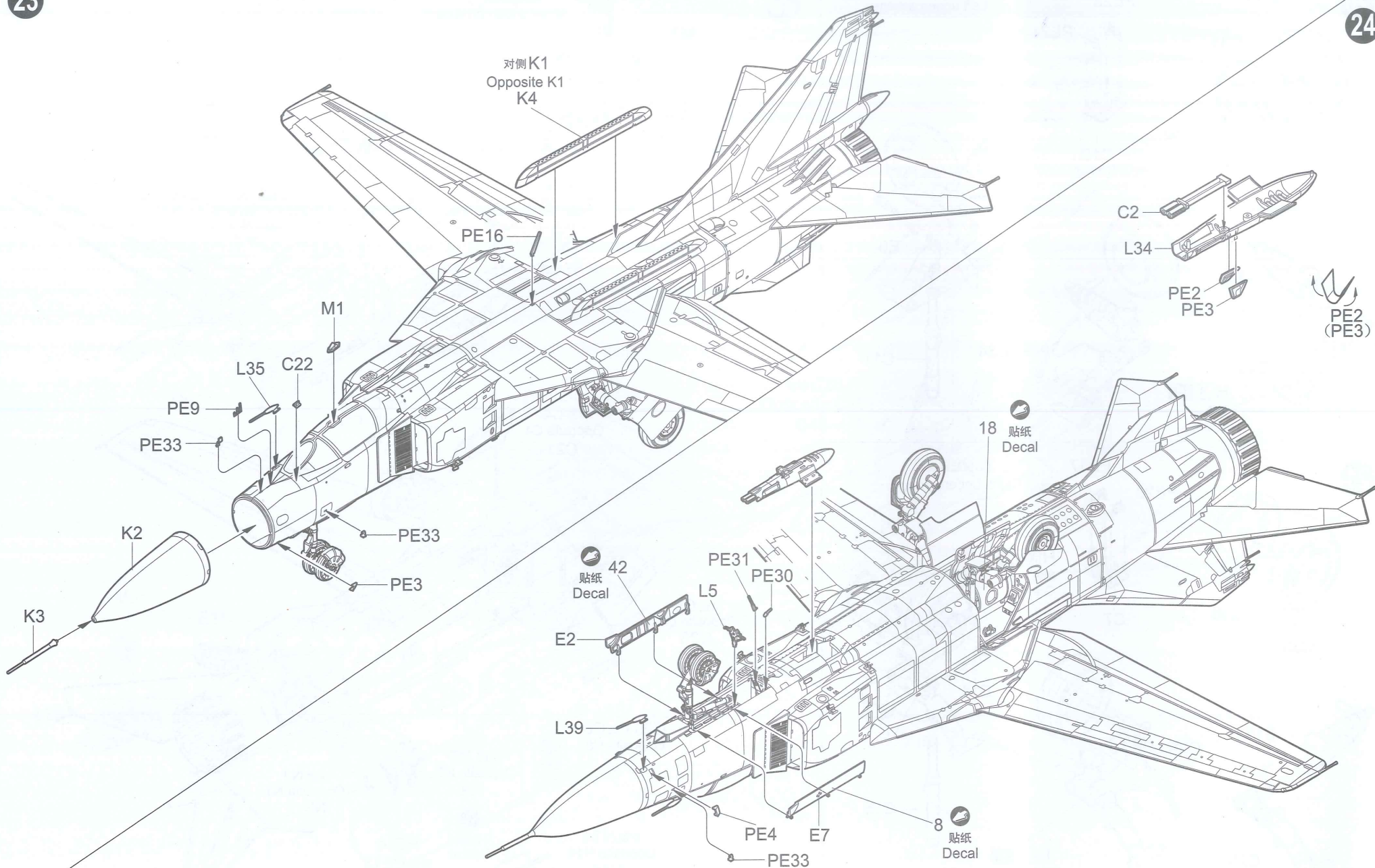
21



22

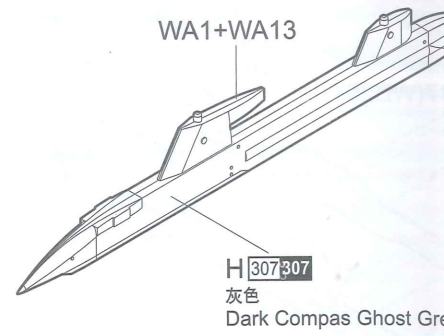


23



24

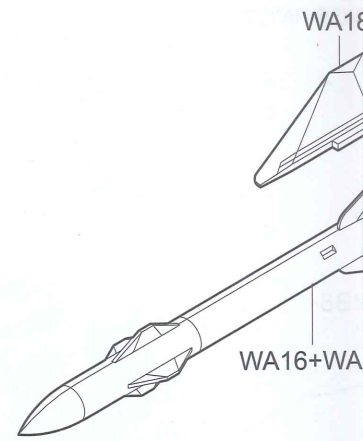
25



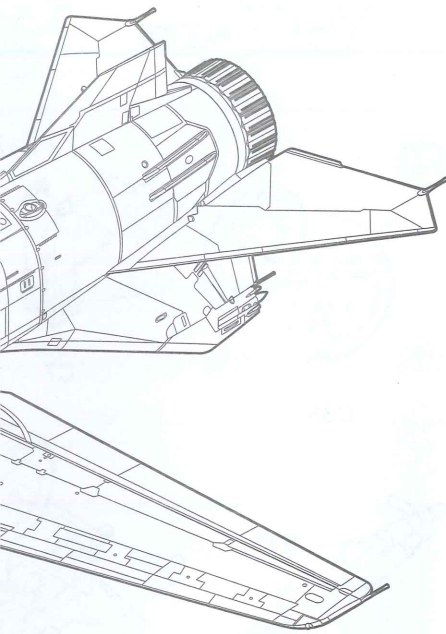
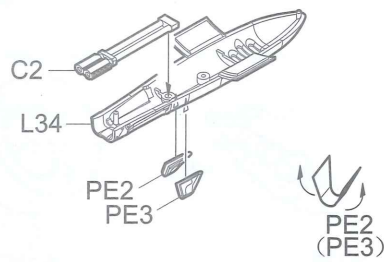
用于: R-23R R-23T R-24R R-24T
Use for:

28

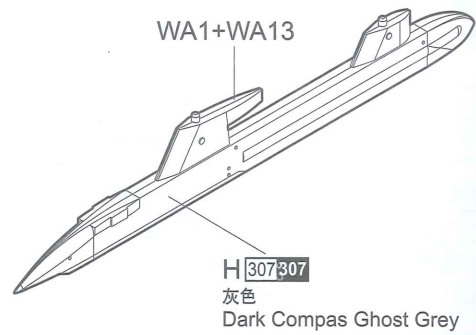
《R-24R》



24

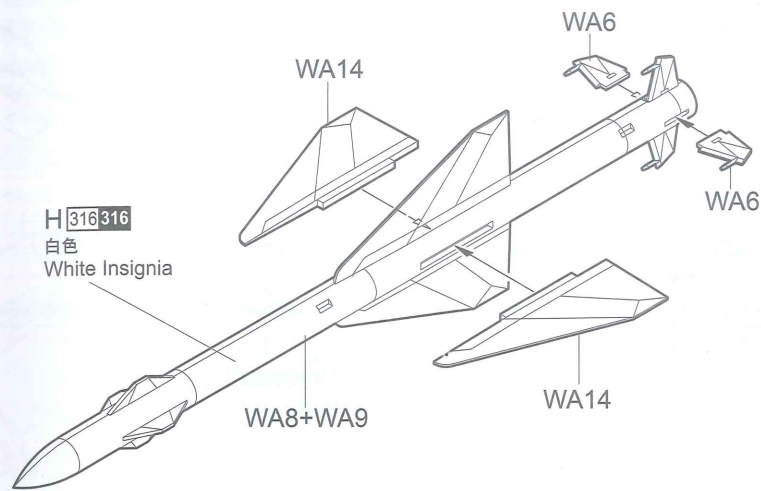


25



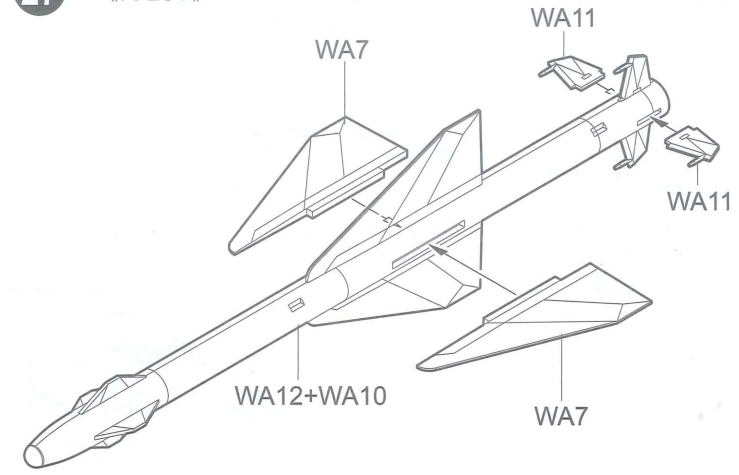
用于: R-23R R-23T R-24R R-24T
Use for:

26 《R-23R》



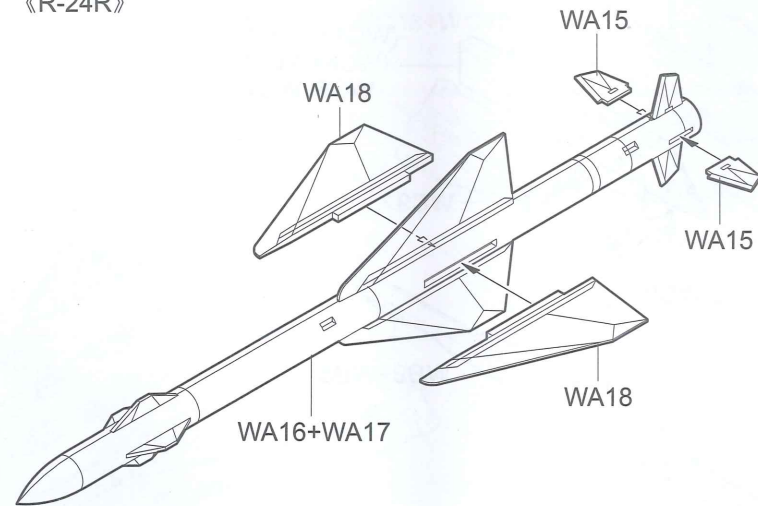
制作两组
Make two

27 《R-23T》



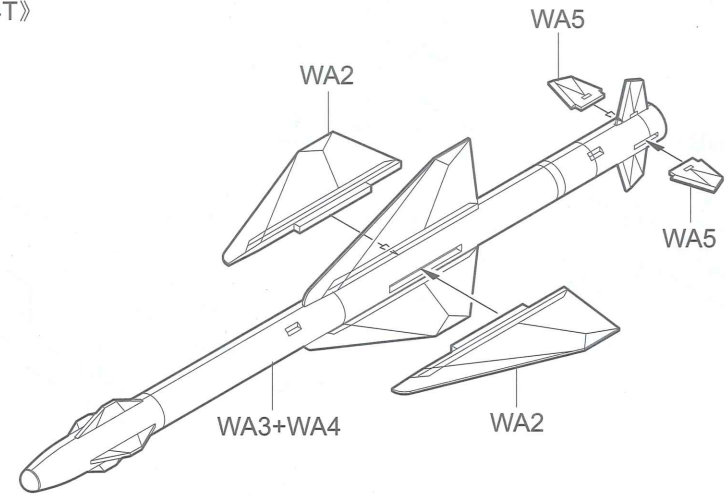
制作两组
Make two

28 《R-24R》



制作两组
Make two

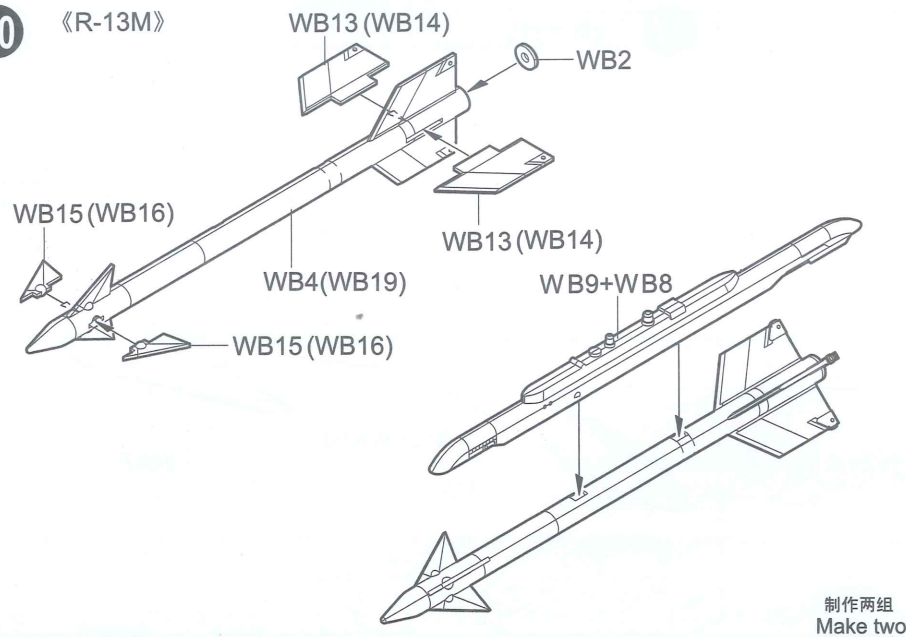
29 《R-24T》



制作两组
Make two

30

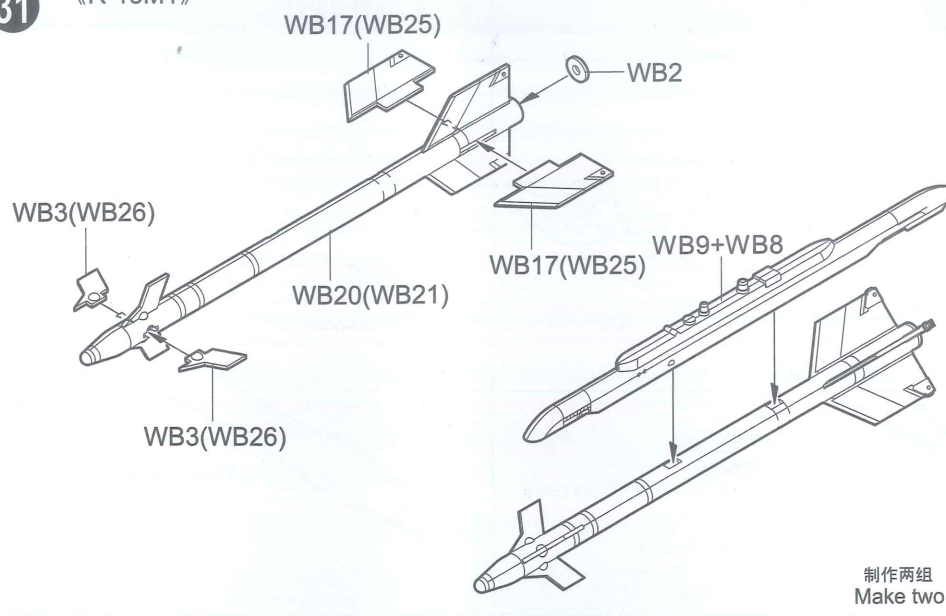
《R-13M》



制作两组
Make two

31

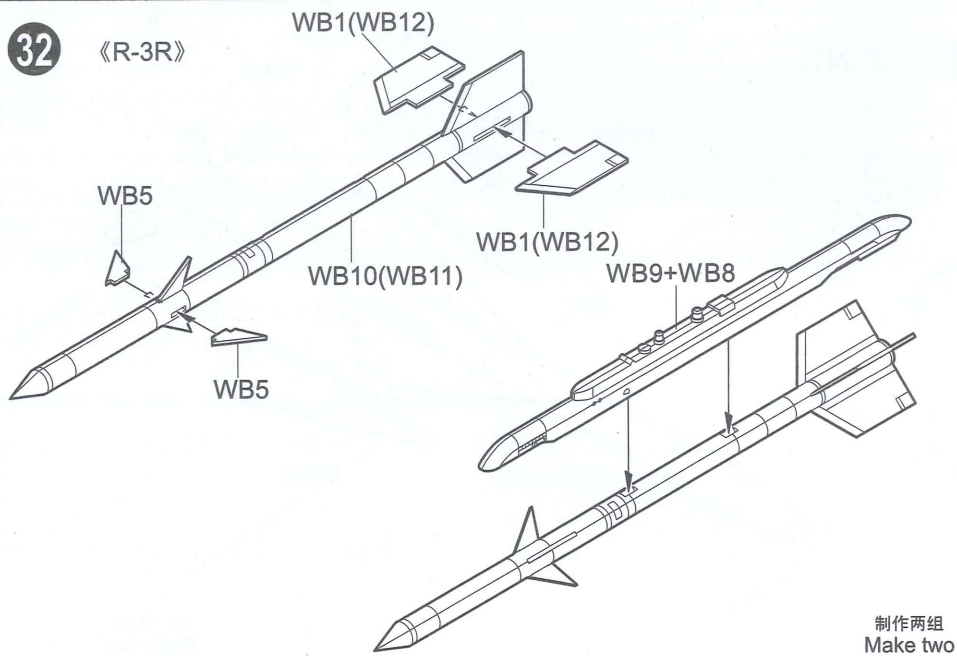
《R-13M1》



制作两组
Make two

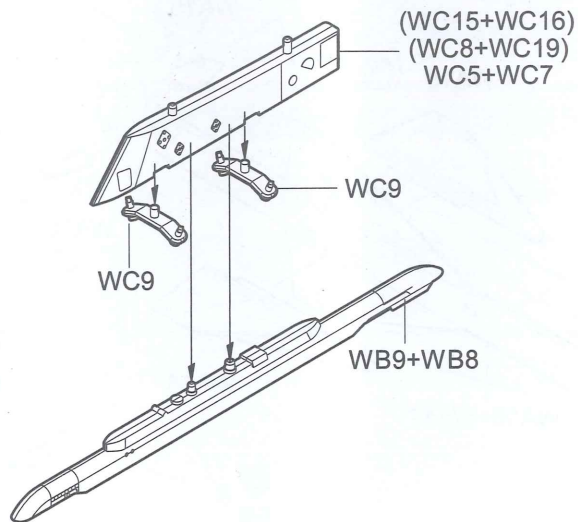
32

《R-3R》



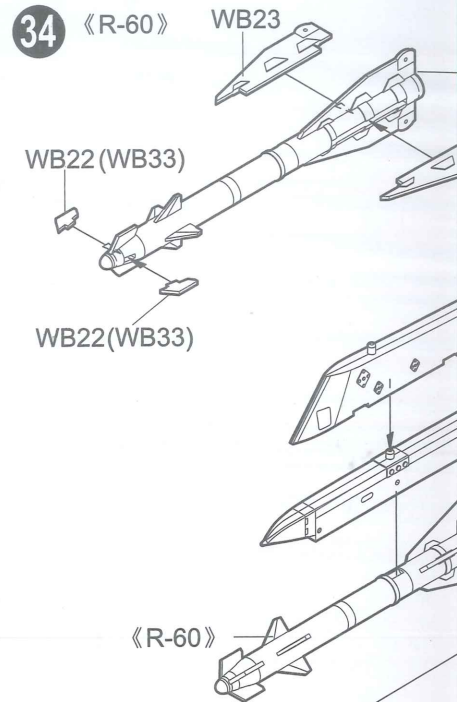
制作两组
Make two

33



34

《R-60》

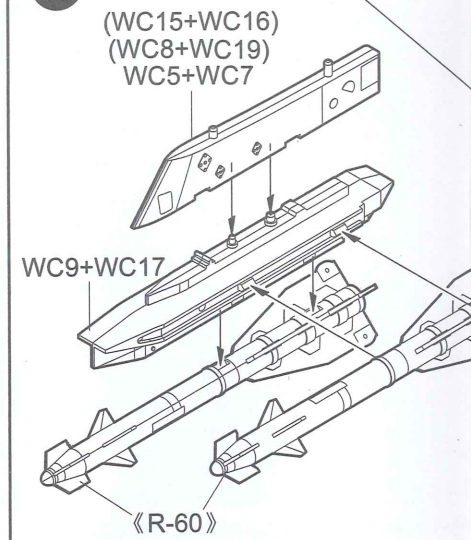


制作两组
Make two

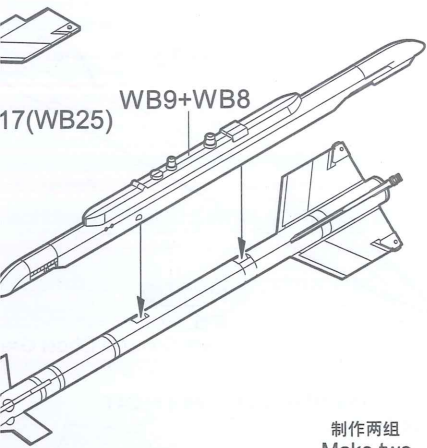
《R-60》

36

35



WB2

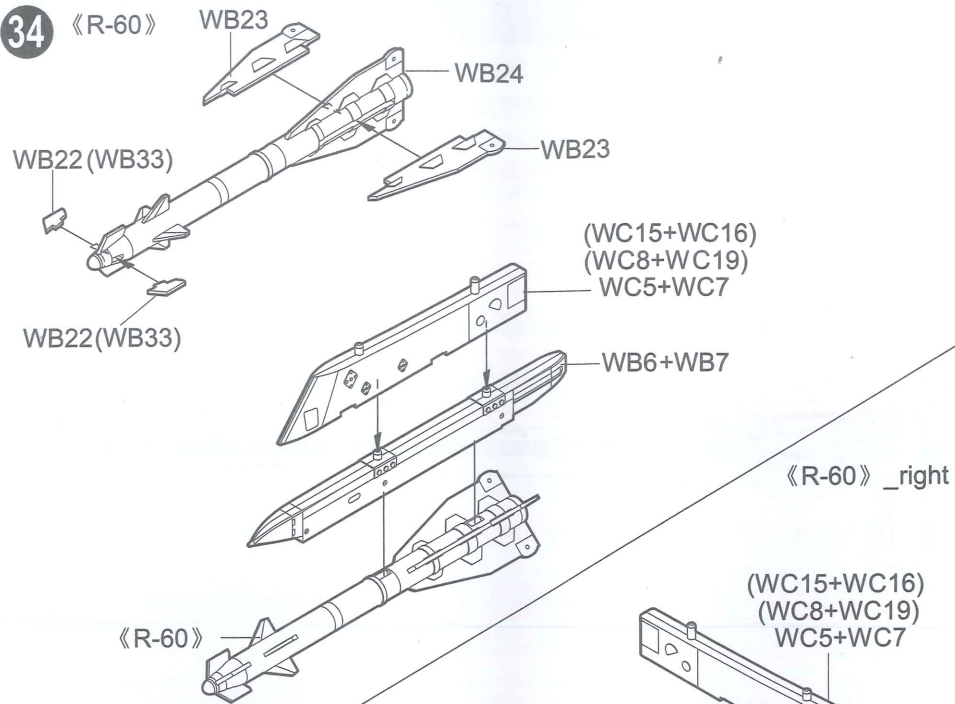


制作两组
Make two

WC15+WC16)
WC8+WC19)
WC5+WC7

WB8

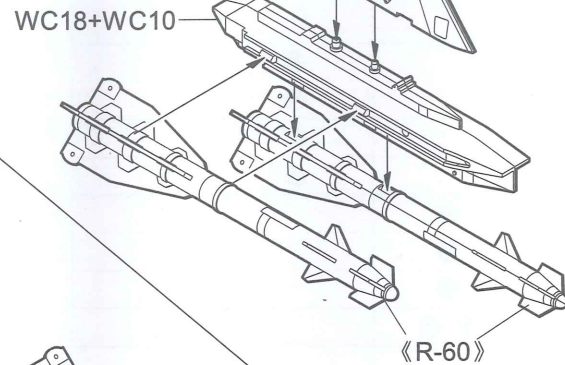
34 《R-60》



《R-60》_right

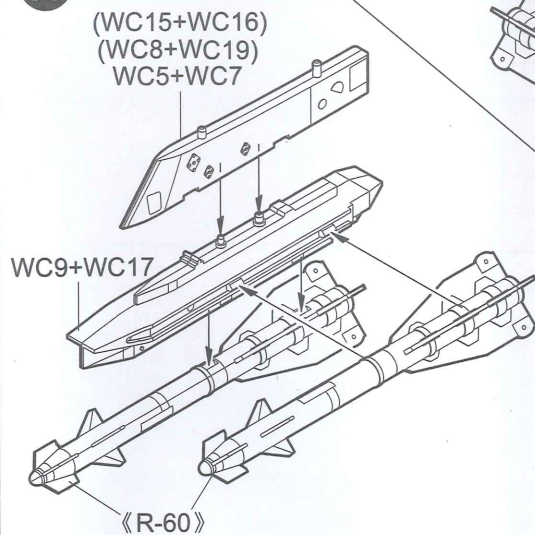
制作两组
Make two

36



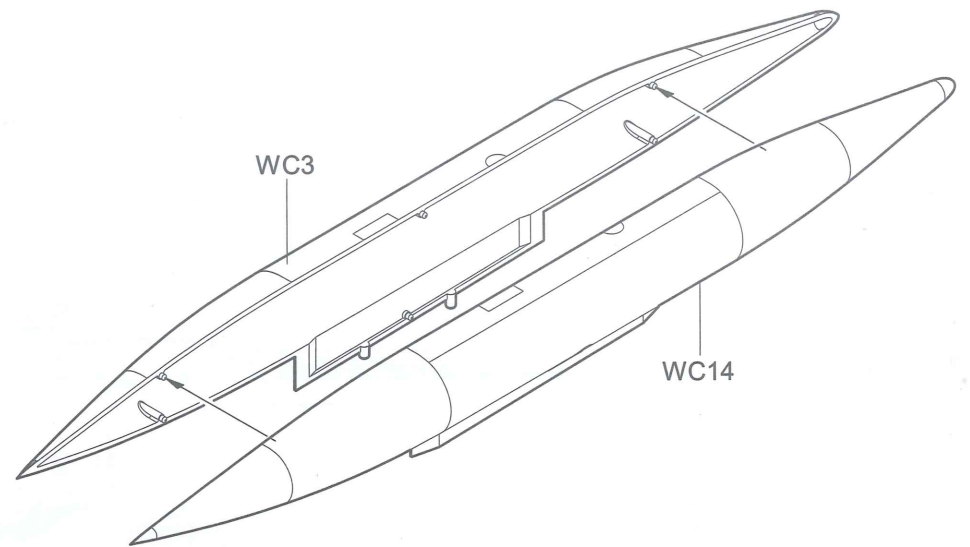
《R-60》_Left

35

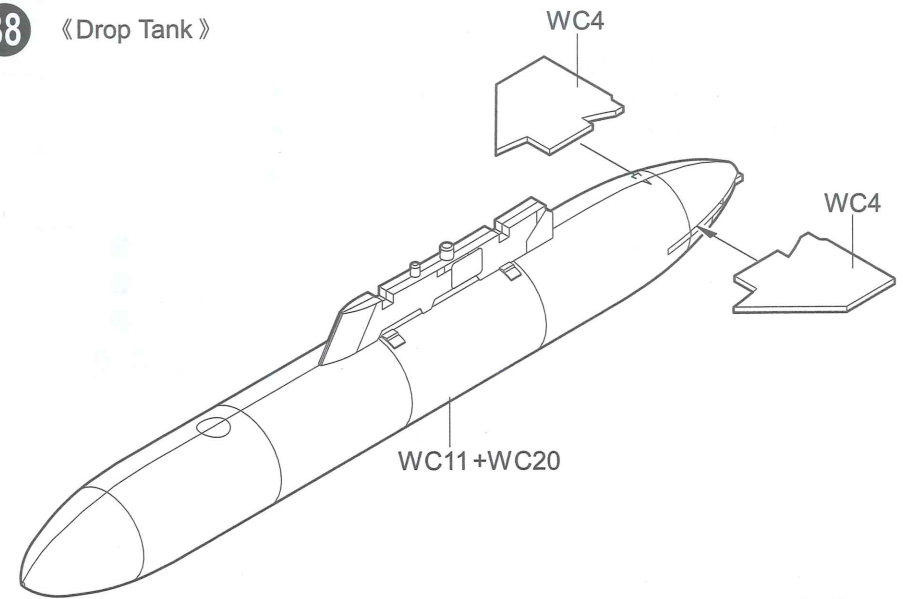


02856

37 《PTB-800》



38 《Drop Tank》



制作两组
Make two

15

1/48 scale

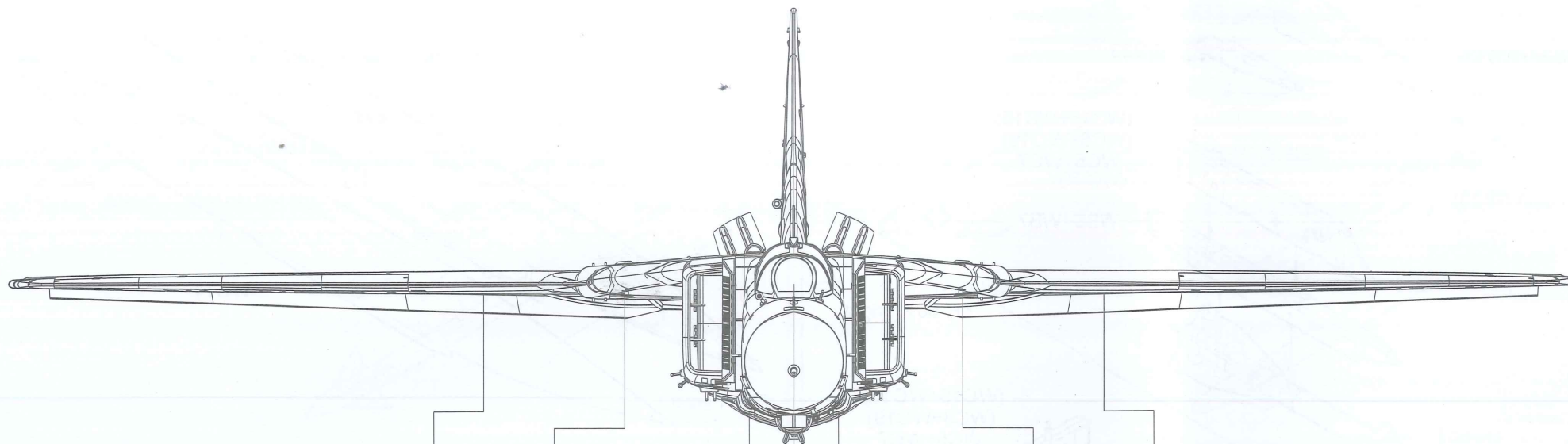
RUSS

READ BEFORE ASSEMBLY:

- Study and understand these instructions before beginning assembly
- When needed, remove photo-etch parts with a modeling knife or photo etch sprue cutters. Do not damage or lose small parts.
- Take extra care in handling photo etch parts to avoid injury
- Apply instant cement sparingly to parts as instructed

水贴纸的使用:

1. 从水贴上剪下印花;
2. 将印花放入温水中浸10秒, 然后放在干净布上晾干;
3. 拿着印花纸板将印花移到模型上;
4. 手指蘸水将印花移到适当的位置;
5. 用软布轻压印花直至水干, 气泡消失。



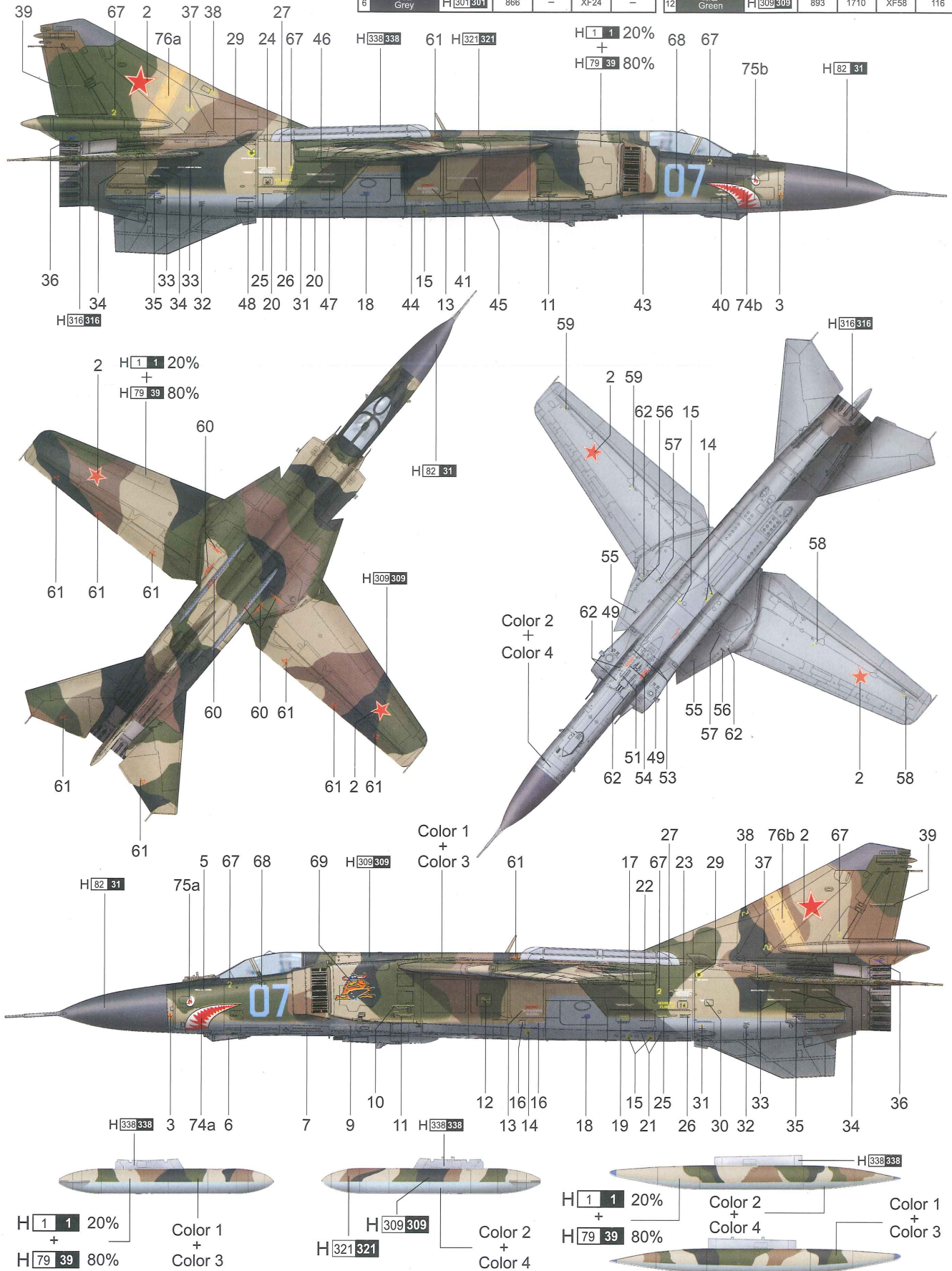
Sta.No.	1	2	3	4	5	6	7
Missile/Tank							
R-23R		●				●	
R-23T		●				●	
R-24R		●				●	
R-24T		●				●	
R-13M			●		●		
R-13M1			●		●		
R-3R			●		●		
R-60			● ●		● ●		
PTB-800				●			
Drop Tank	●						●

涂装同标贴指示 Painting & Marking guide

B

PAINT REFERENCE COLOUR						
	Color	Mr.Hobby	Vallejo	Model Master	Tamiya	Humbrol
1	绿色 Matt Cockpit Green	-	-	1716	-	78
2	浅蓝色 Light Blue	-	901	1562	-	89
3	绿色 Interior Green	H[58 27]	-	1715	-	151
4	浅灰色 Light Grey	H[338 338]	-	1732	-	147
5	棕褐色 Grey Light Brown	H[321 321]	929	-	-	-
6	灰色 Grey	H[301 301]	866	-	XF24	-

PAINT REFERENCE COLOUR						
	Color	Mr.Hobby	Vallejo	Model Master	Tamiya	Humbrol
7	浅海灰 Dark Gray	H[82 31]	836	2727	X53	156
8	烧铁色 Burnt Iron	H[316 316]	863	1795	X10	53
9	砂黄色 Sandy Brown	H[79 39]	824	-	XF59	93
10	胎黑色 Tire black	H[77 137]	897	-	XF11	-
11	白色 White	H[1 1]	842	1745	X2	22
12	绿色 Green	H[309 309]	893	1710	XF58	116



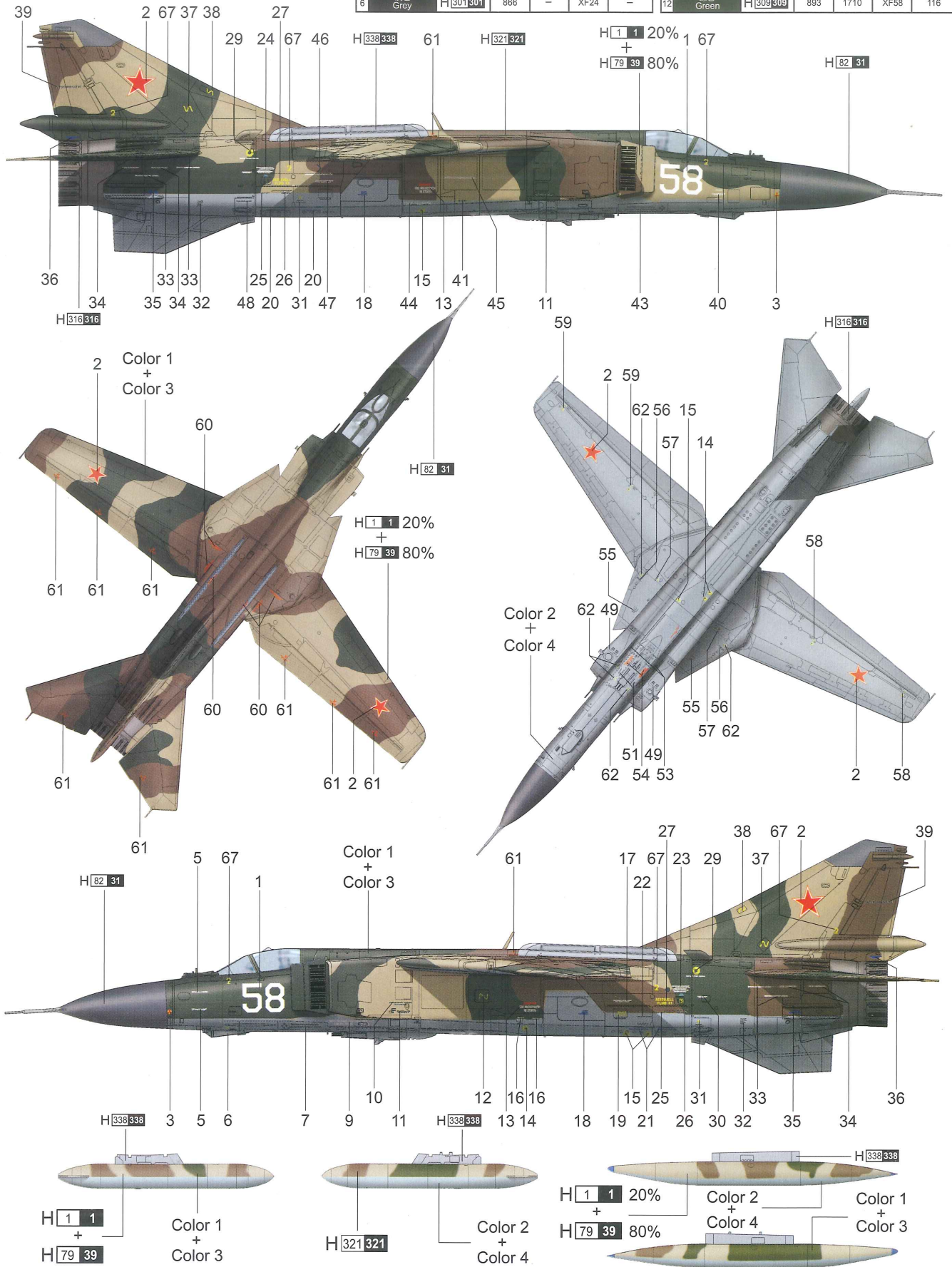
H □ AQUEOUS HOBBY COLOR ■ Mr. COLOR

涂装同标贴指示 Painting & Marking guide

A

PAINT REFERENCE COLOUR						
	Color	Mr.Hobby	Vallejo	Model Master	Tamiya	Humbrol
1	綠色 Matt Cockpit Green	-	-	1716	-	78
2	淺藍色 Light Blue	-	901	1562	-	89
3	綠色 Interior Green	H[58 27]	-	1715	-	151
4	淺灰色 Light Grey	H[338 338]	-	1732	-	147
5	棕褐色 Grey Light Brown	H[321 321]	929	-	-	-
6	灰色 Grey	H[301 301]	866	-	XF24	-

PAINT REFERENCE COLOUR						
	Color	Mr.Hobby	Vallejo	Model Master	Tamiya	Humbrol
7	淺海灰 Dark Gray	H[82 31]	836	2727	X53	156
8	燒鐵色 Burnt Iron	H[316 316]	863	1795	X10	53
9	砂黃色 Sandy Brown	H[79 39]	824	-	XF59	93
10	胎黑色 Tire black	H[77 137]	897	-	XF11	-
11	白色 White	H[1 1]	842	1745	X2	22
12	綠色 Green	H[309 309]	893	1710	XF58	116



H AQUEOUS HOBBY COLOR ■ Mr. COLOR

涂装同标贴指示

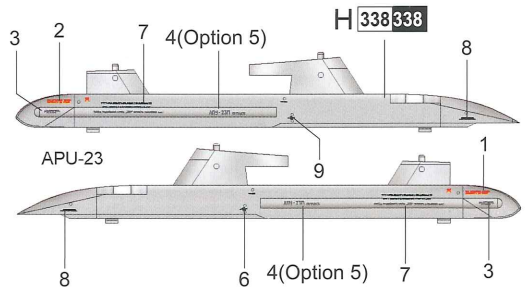
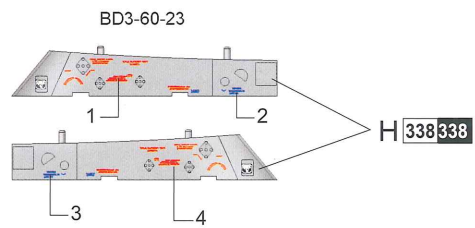
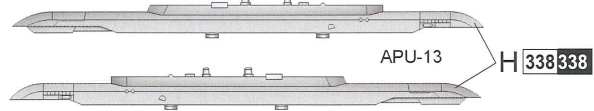
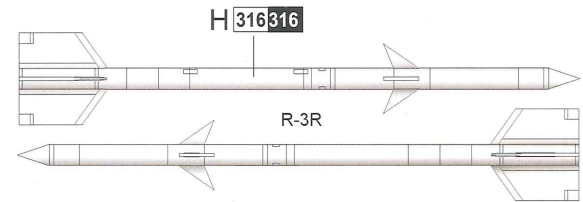
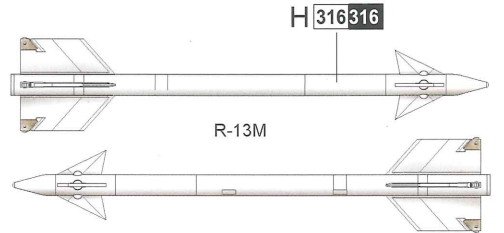
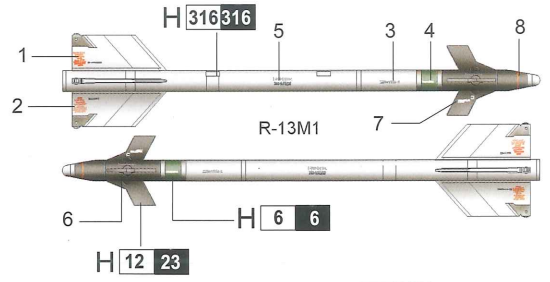
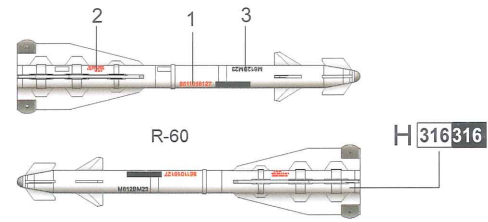
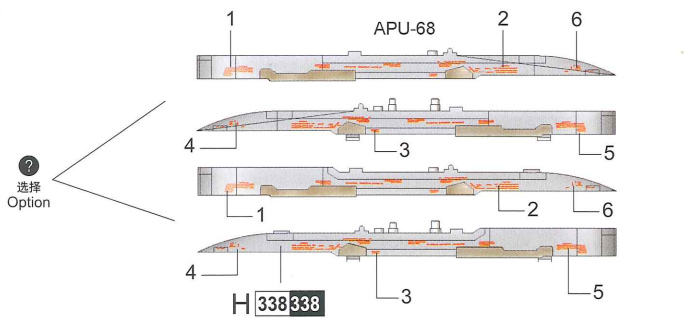
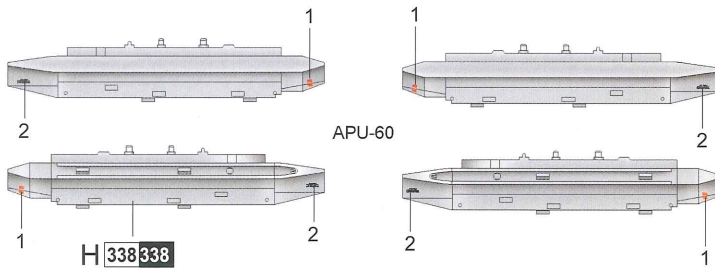
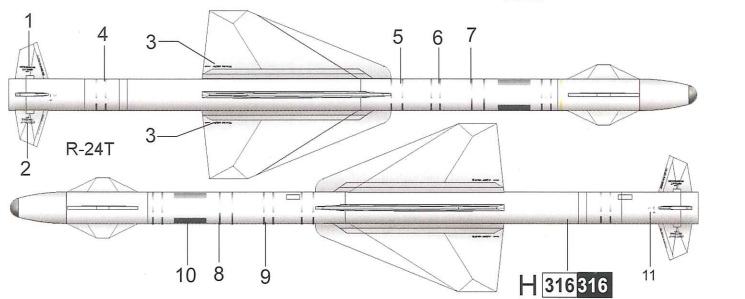
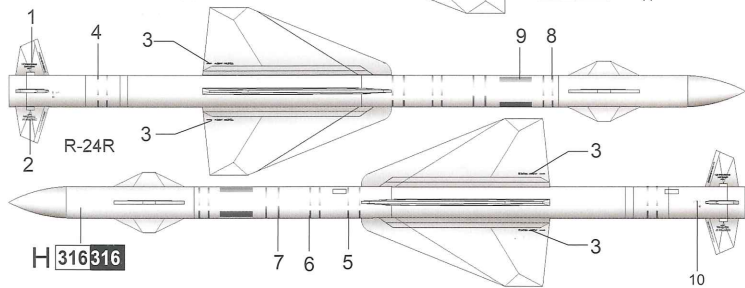
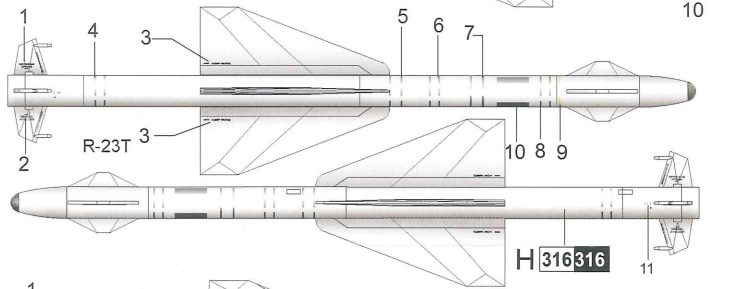
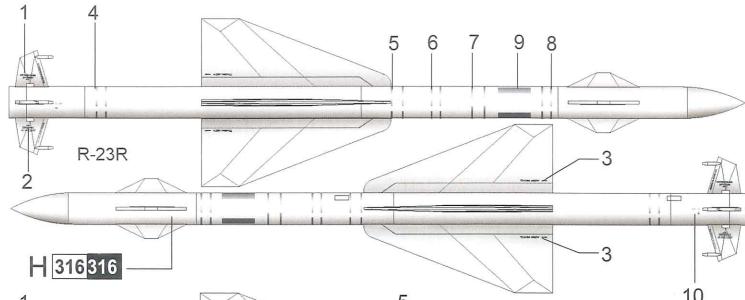
Painting & Marking guide

PAINT REFERENCE COLOUR

Color	Mr.Hobby	Vallejo	Model Master	Tamiya	Humbrol
White 白色	H 1 1	842	1745	XF2	22
Burnt Iron 烧铁色	H 76 61	863	1795	XF10	53
Flat black 消光黑	H 12 33	950	1749	XF1	33

PAINT REFERENCE COLOUR

Color	Mr.Hobby	Vallejo	Model Master	Tamiya	Humbrol
Green 绿色	H 6 6	969	2716	X5	3
White 白色	H 316 316	991	1745	X2	22
浅灰色 Gray Blue	H 338 338	-	1732	-	147



H X AQVEOUS HOBBY COLOUR

X MR.COLOUR