

# M55 203mm Self-Propelled Howitzer

## M55 203毫米自行榴弹炮

**READ BEFORE ASSEMBLY:**

- Study and understand these instructions thoroughly before beginning assembly
- When needed, remove photo-etch parts carefully using a modeling knife or photo etch sprue cutter, being careful not to damage or lose small parts.
- Take extra care in handling photo etch parts in order to avoid injury
- Apply instant cement sparingly to photo etch parts where instructed
- Tools recommended(not included in kit):Plastic and instant cements, sprue cutters,long nose pliers,modeling knife, small files, tweezers, pin vise & scissors. Soft cloth and sandpaper will also assist in construction
- Glue and paint are not included in the kit. Use plastic cement and hobby paints only. Color guide for purchasing paint is included in the kit.

**装配之前仔细阅读**

- 小心用模型锉刀锉平所有零件表面的注射浇口。
- 小心用刀片切下蚀刻片零件，不要遗失小零件。
- 用强力快干胶水粘合蚀刻片零件和金属轴。过量快干胶水使用可能导致可动零件会粘住，小心涂胶。
- 取蚀刻片时应特别注意安全，防止利边划伤手指。
- 某些零件表面需贴上水贴纸，请选择在装配的同时进行。
- 推荐模型工具(自备)：胶水，水口剪刀，长咀钳，刀片，锉刀，镊子，钳，钻，剪刀，瞬间快干胶。
- 软布同砂纸同时也是所需工具。
- 请使用塑料胶水和油漆，模型内不含。



使用强力胶  
Cyanoacrylate glue



配重  
Weight



钻孔  
Make hole



切除  
Cut / Remove



贴纸  
Decal



锉平  
File / Sand



选择  
Option



不涂胶水  
No cement



弯曲  
Bend



先装  
Install it first



填补  
Repair

**水贴纸的使用:**

- 1.从水贴纸上剪下印花;
- 2.将印花放入温水中浸10秒,然后放在干净布上。
- 3.拿着印花纸板将印花移到模型上;
- 4.手指蘸水将印花移到适当的位置;
- 5.用软布轻压印花直至水干, 气泡消失

**DECAL APPLICATION**

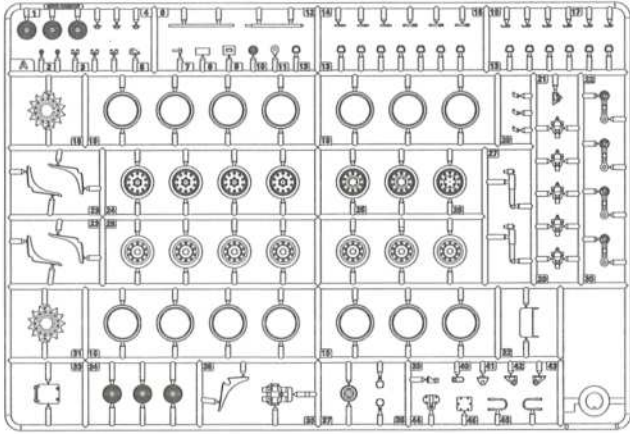
- 1.Cut decals from sheet as needed
- 2.Dip the decal in warm water for about 10 seconds and then place on soft clean cloth.
- 3.Hold the decal backing sheet edge and gently slide the decal onto the model in its proper position.

- 4.While still wet,decal can be adjusted for better fit on model by dampening it gently with your finger.
- 5.When placed in the proper position,gently press decal down with a soft cloth until excess water and air bubbles are gone.
- 6.Allow decal to dry completely before handling model

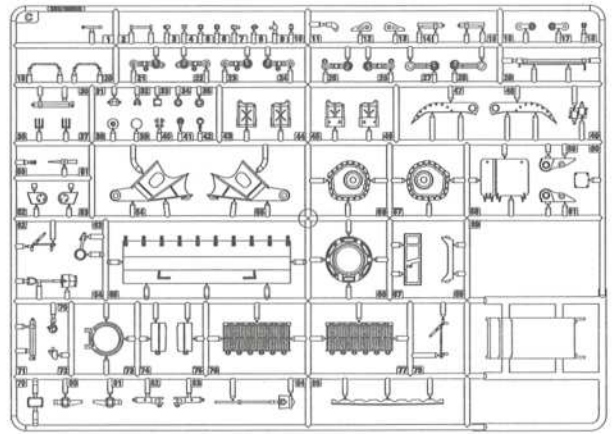
\* 说明书中含有重要信息, 应保留。 Please Keep instruction since it contains important information.

部品图  
Parts

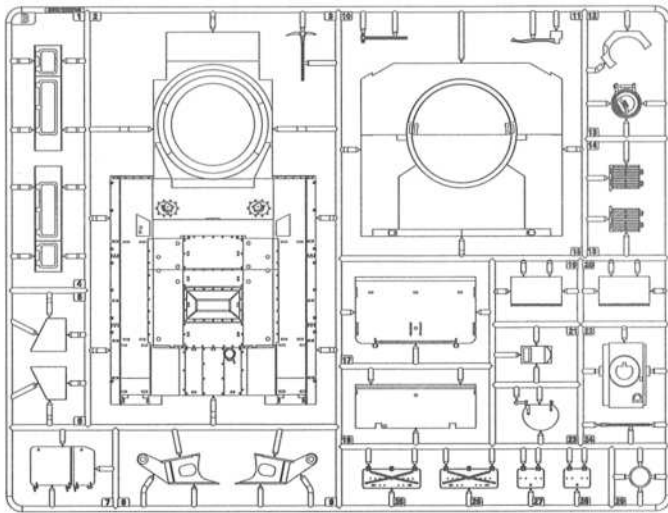
Ax2



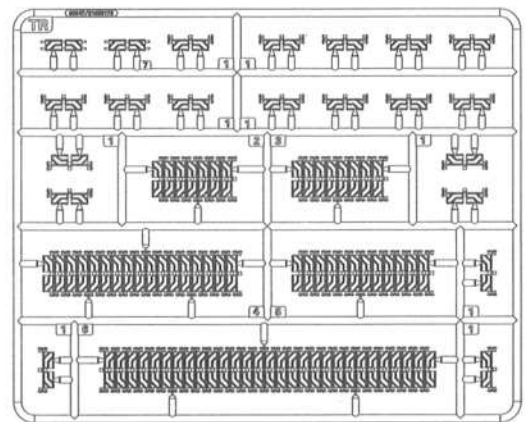
C



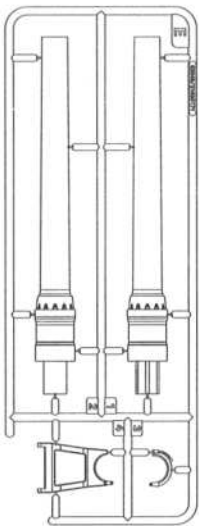
B



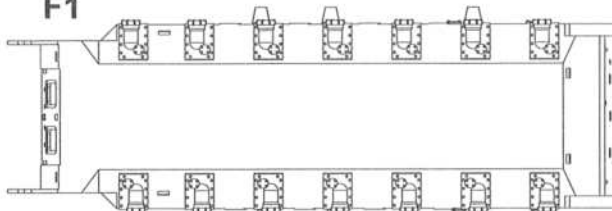
TRx2



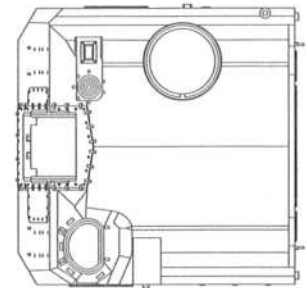
E



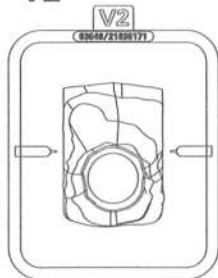
F1



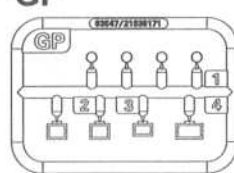
F2



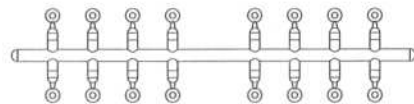
V2



GP



《聚乙烯套》  
Poly cap



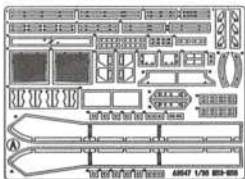
《水贴》  
Decal

EVE OF DESTRUCTION  
EVE OF DESTRUCTION



63548 1/35 M55 203mm Self-Propelled Howitzer

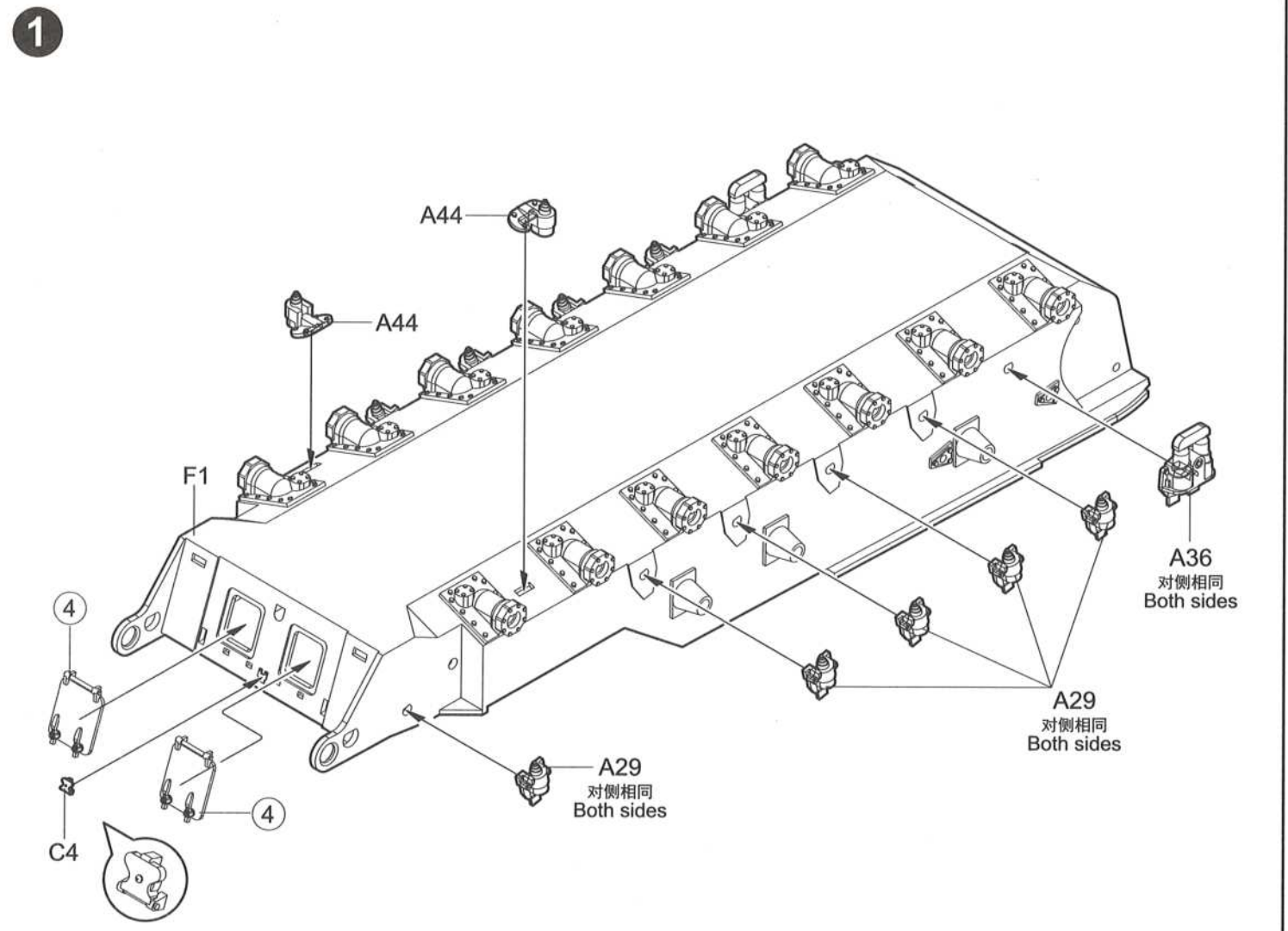
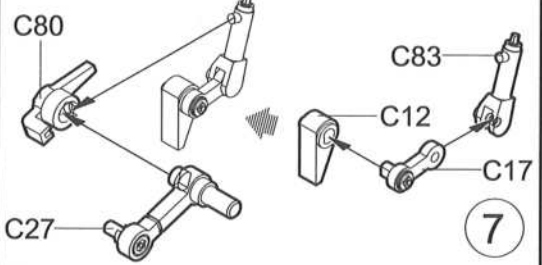
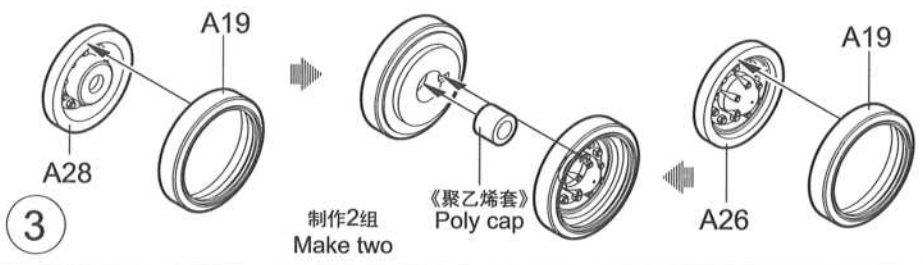
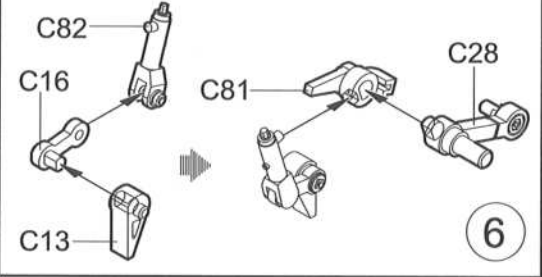
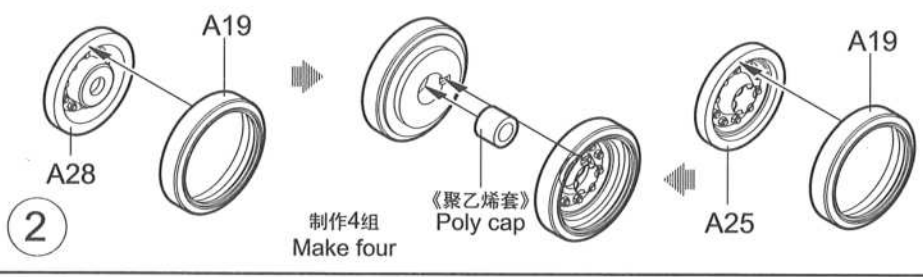
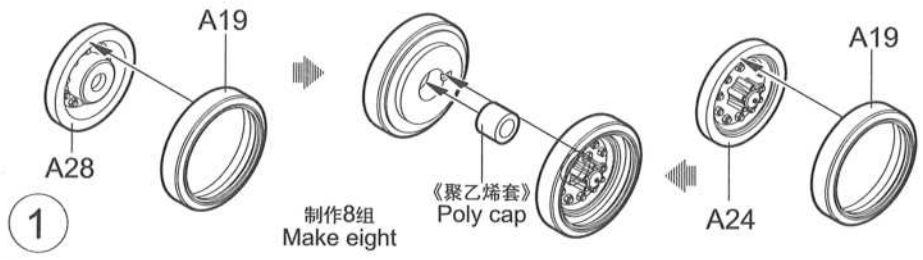
《蚀刻片A》PE-A



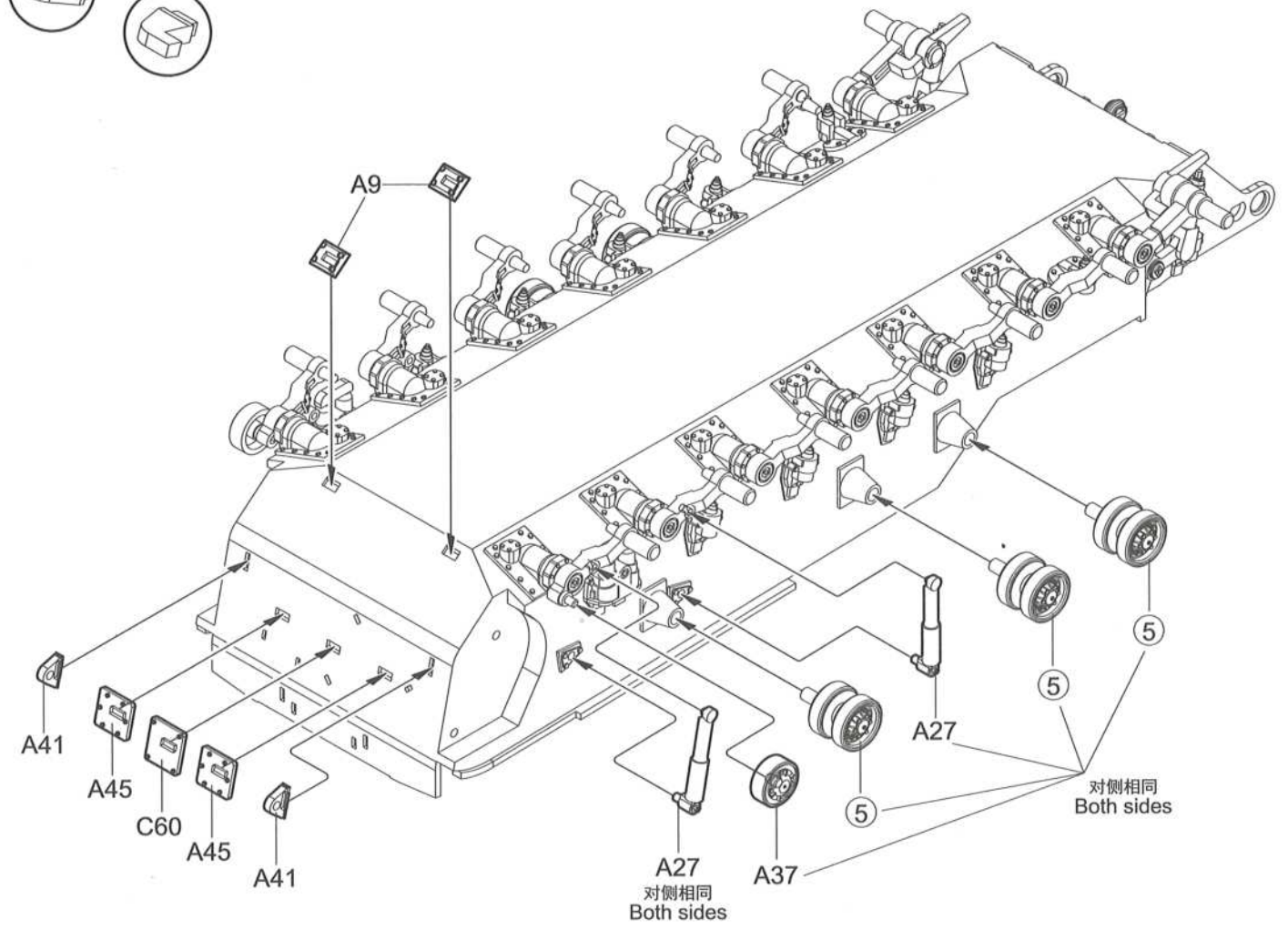
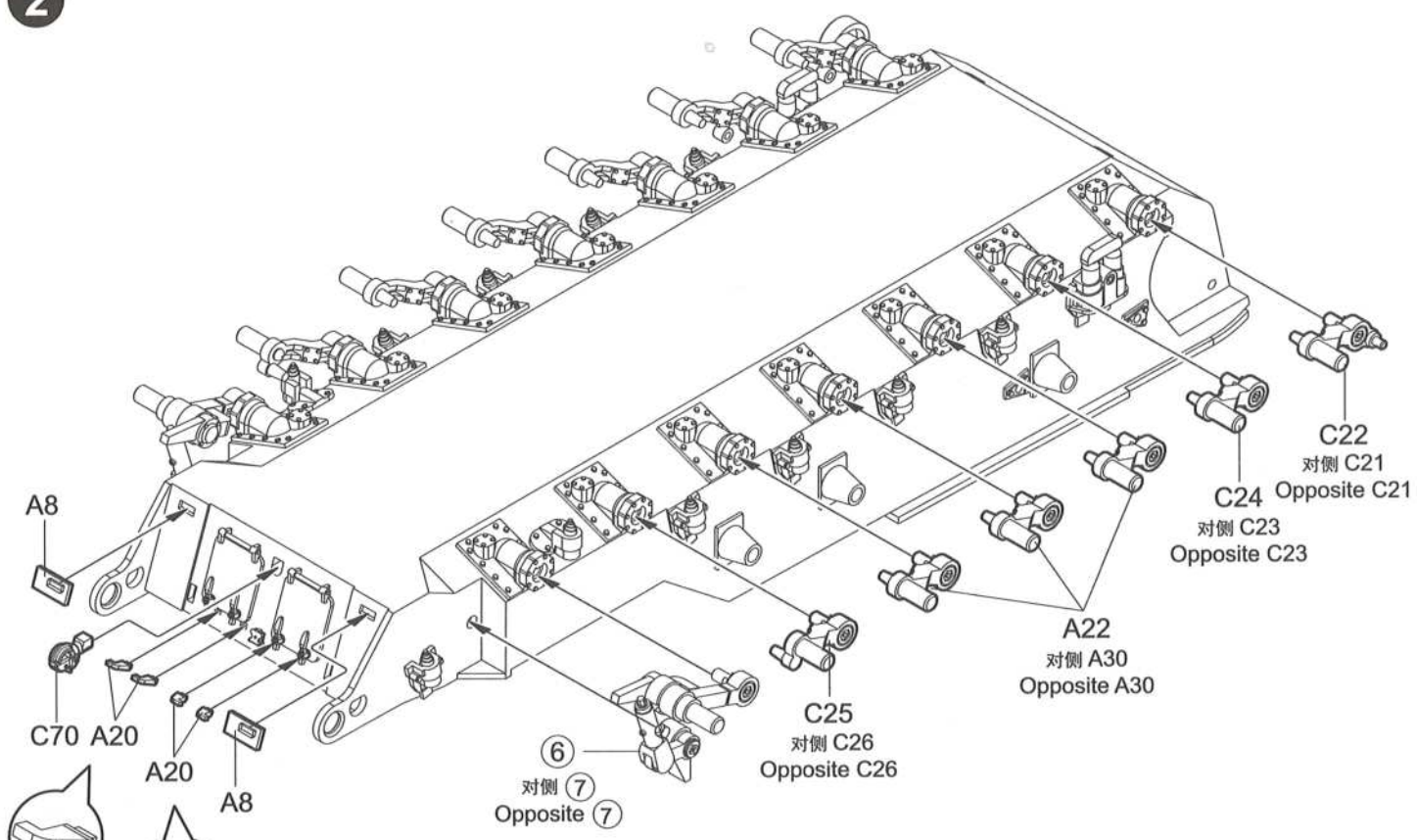
《蚀刻片B》PE-B



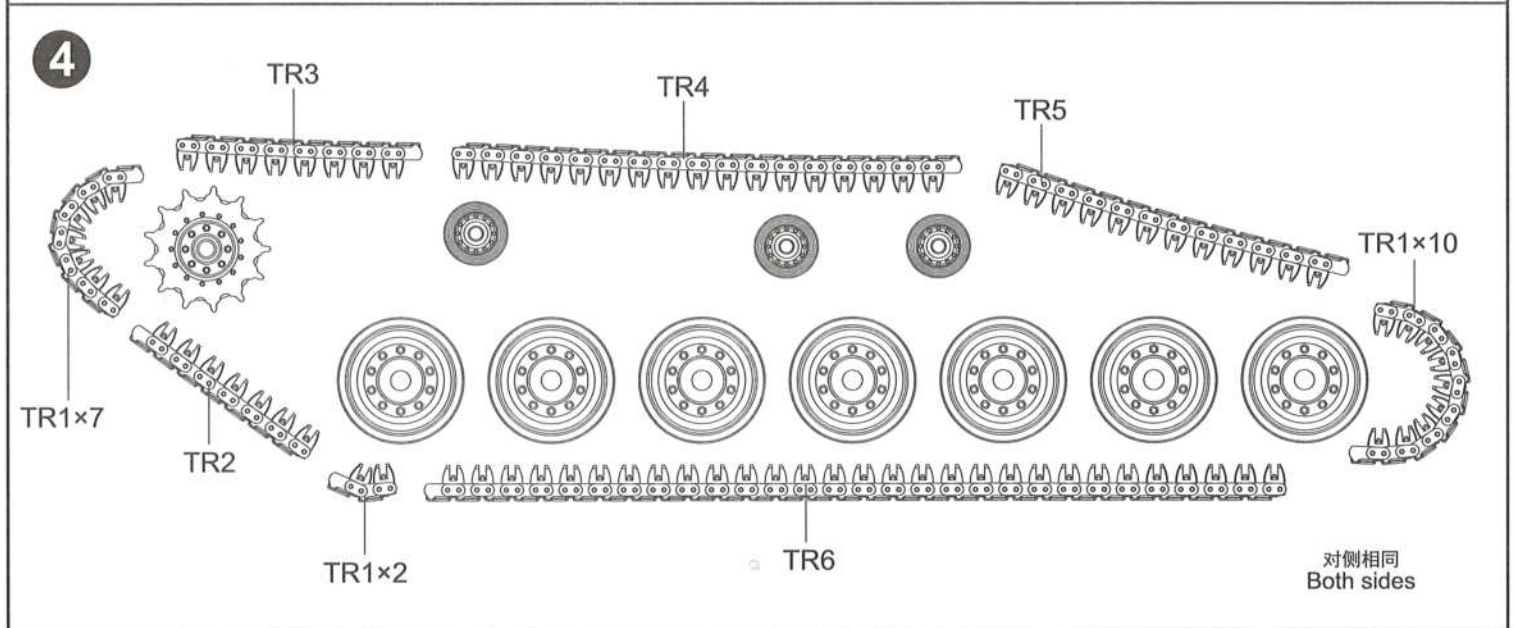
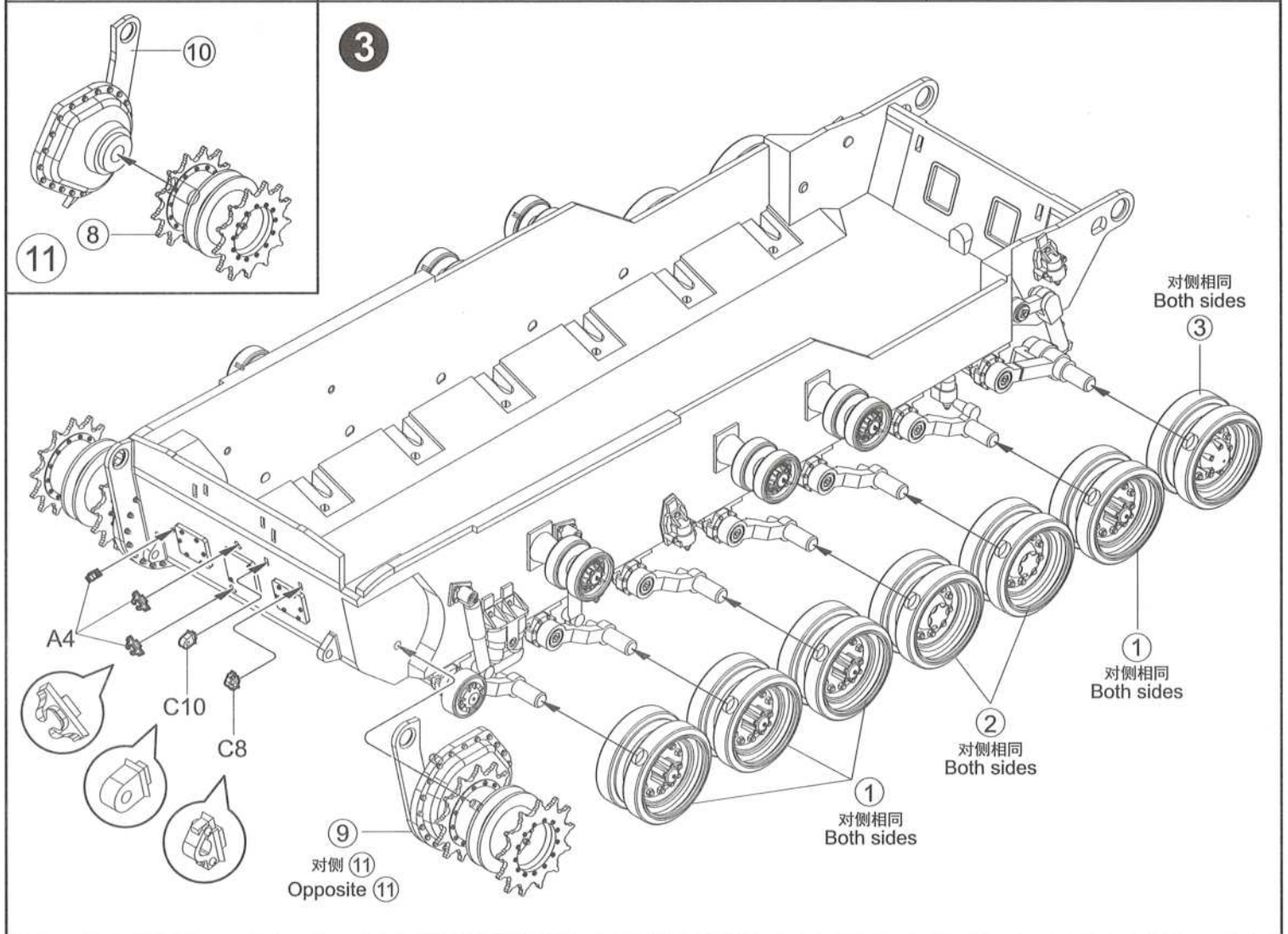
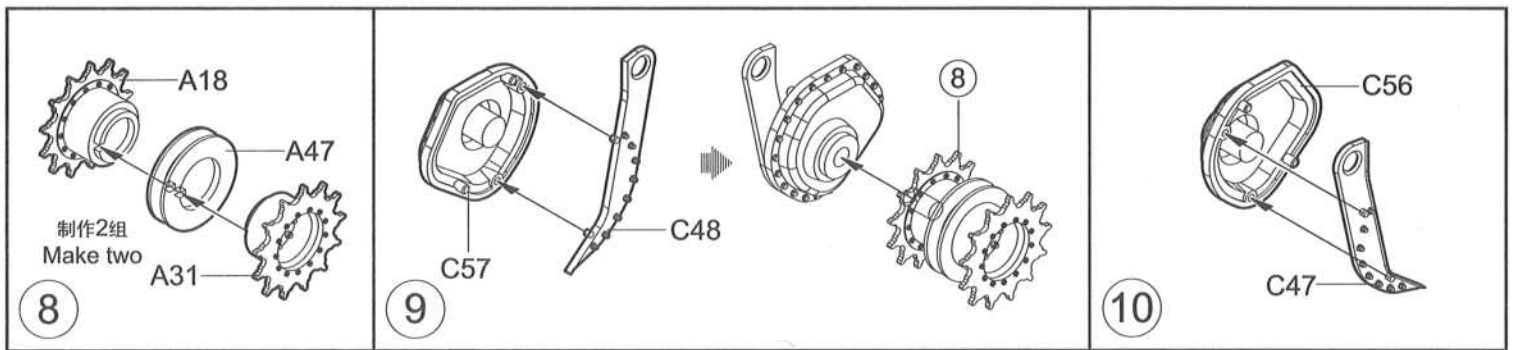


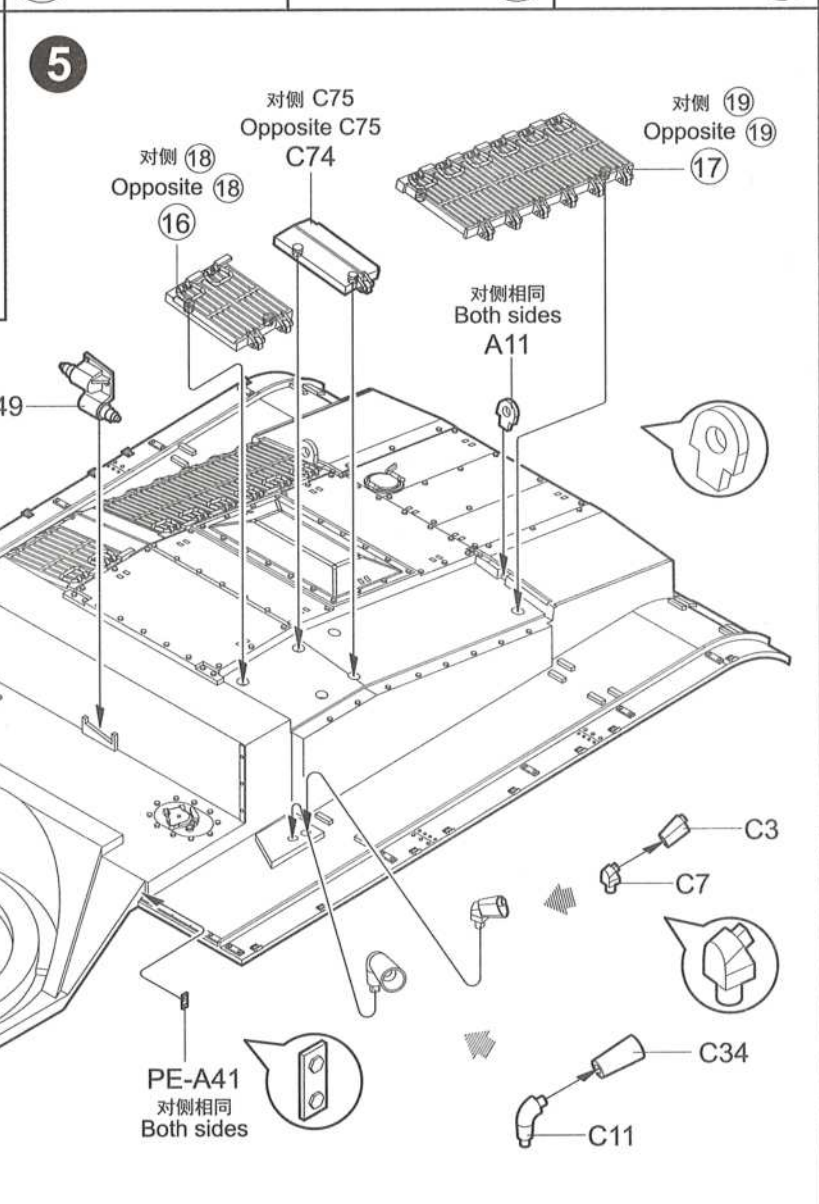
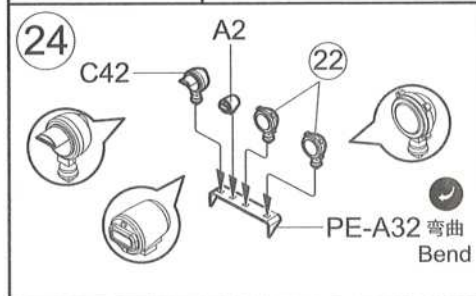
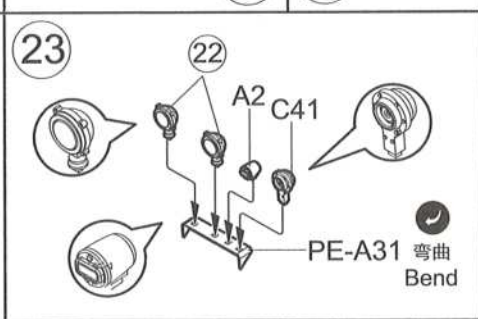
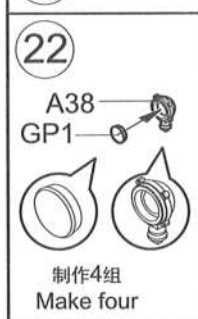
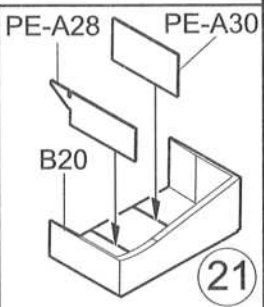
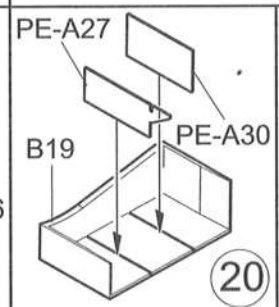
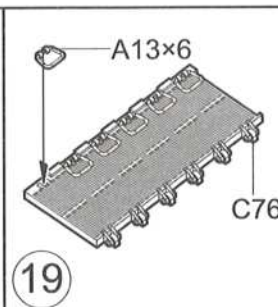
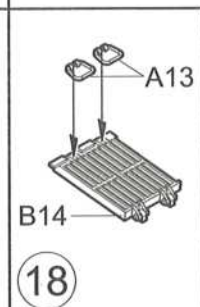
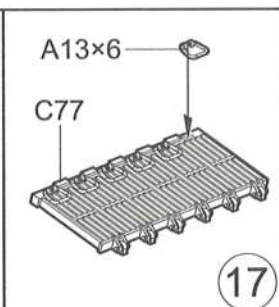
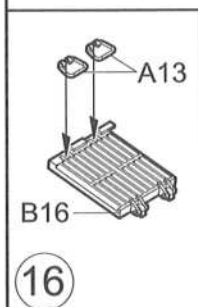
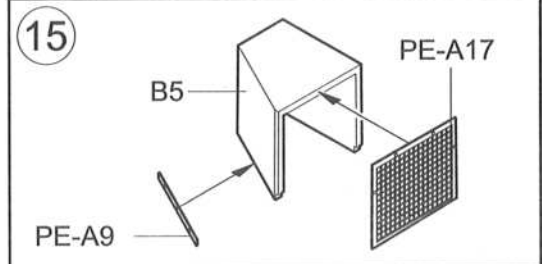
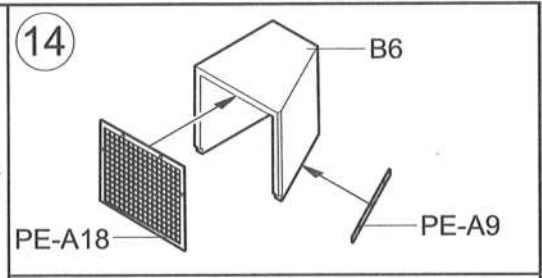
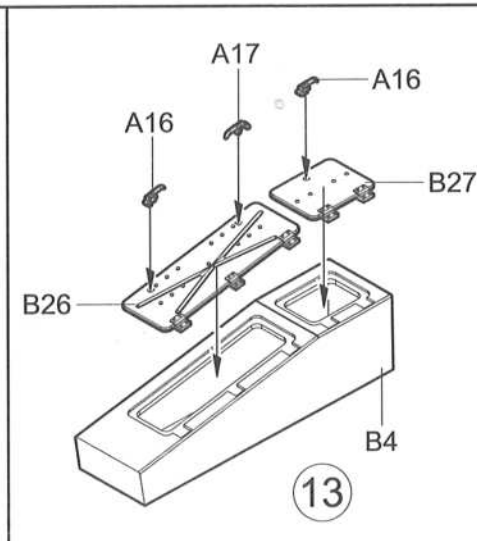
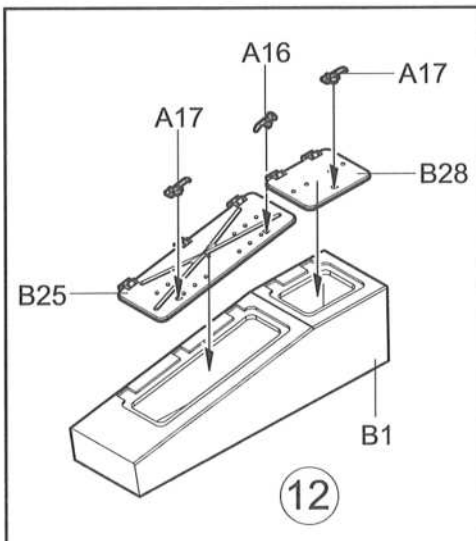


2



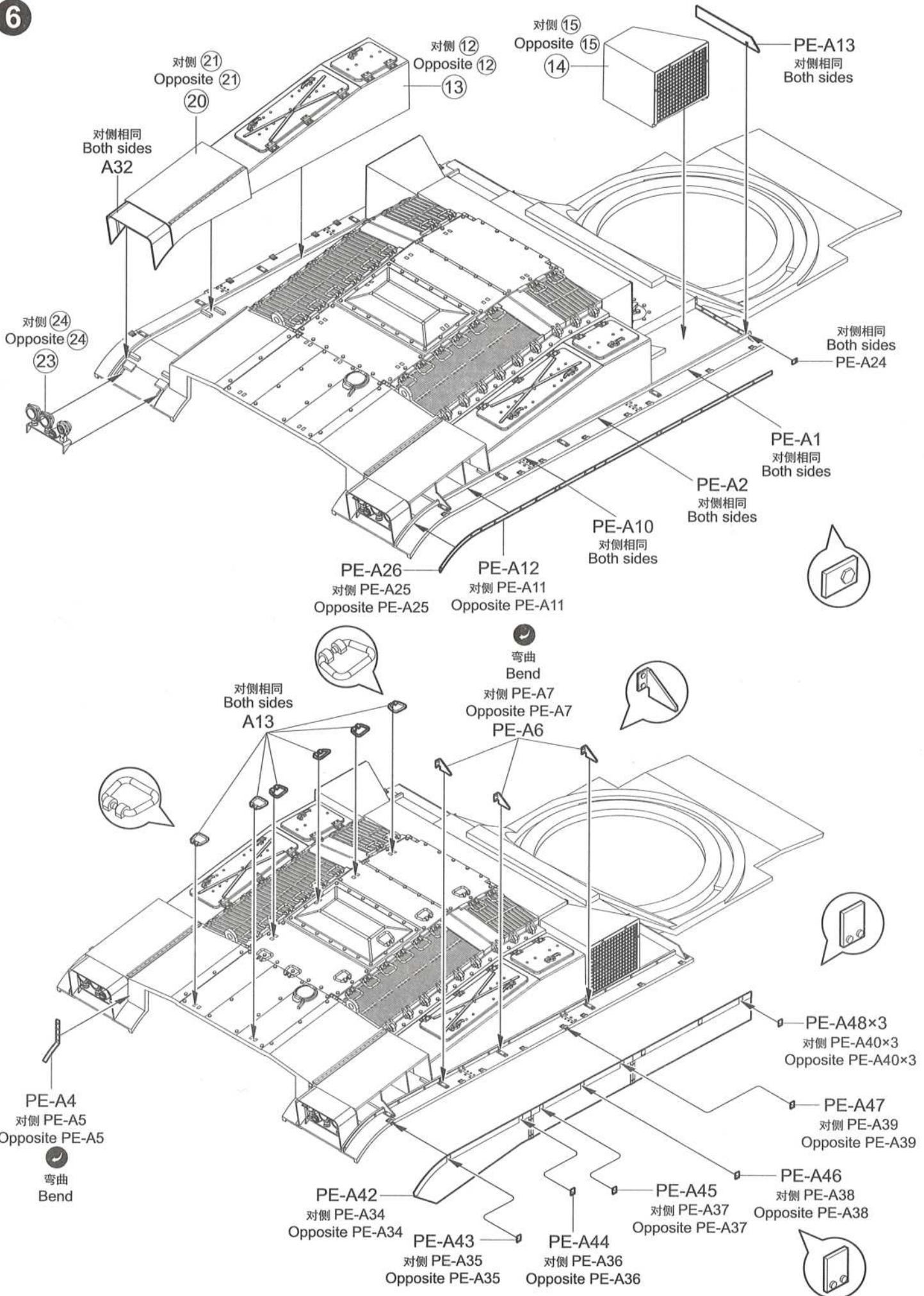




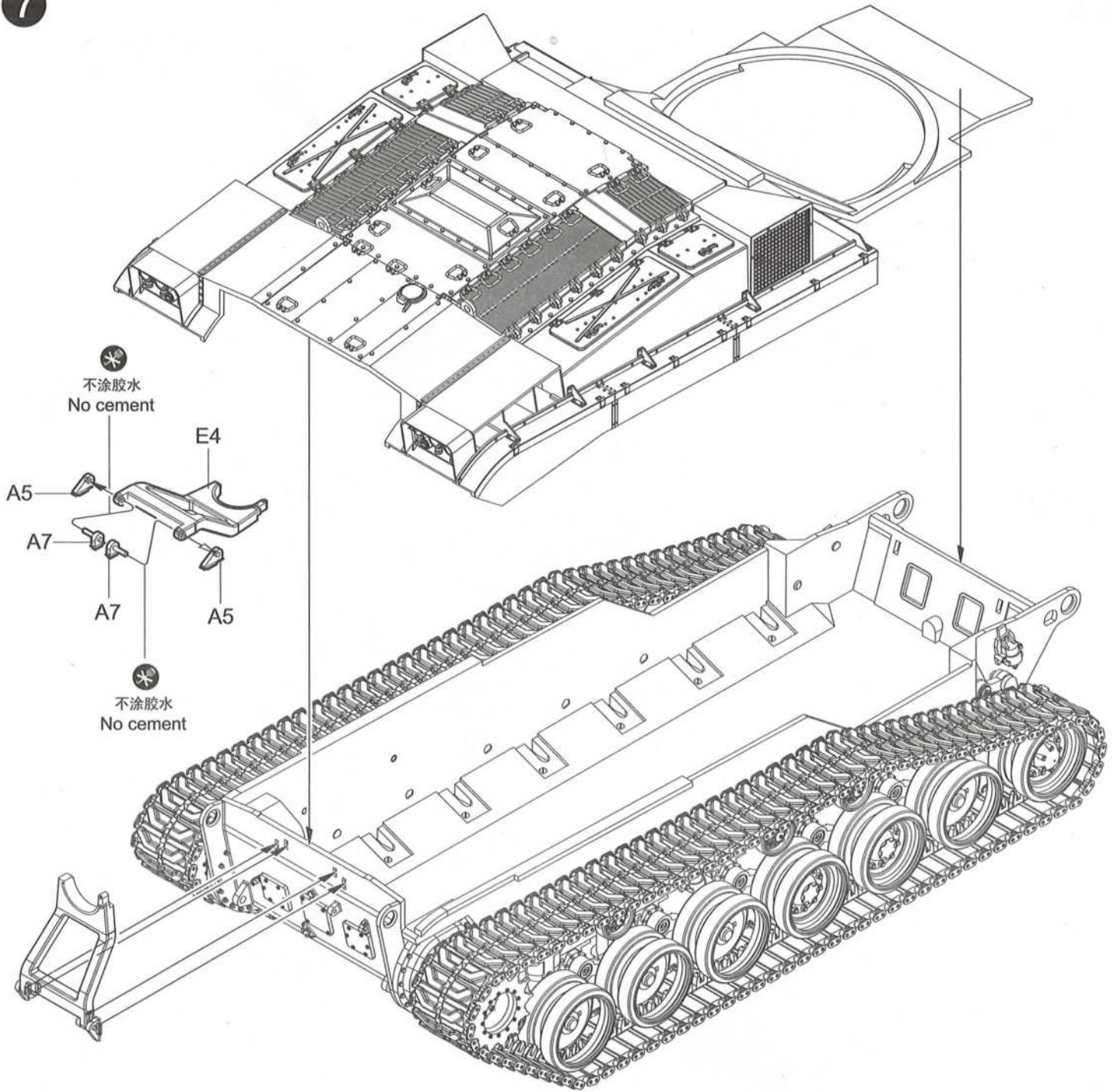




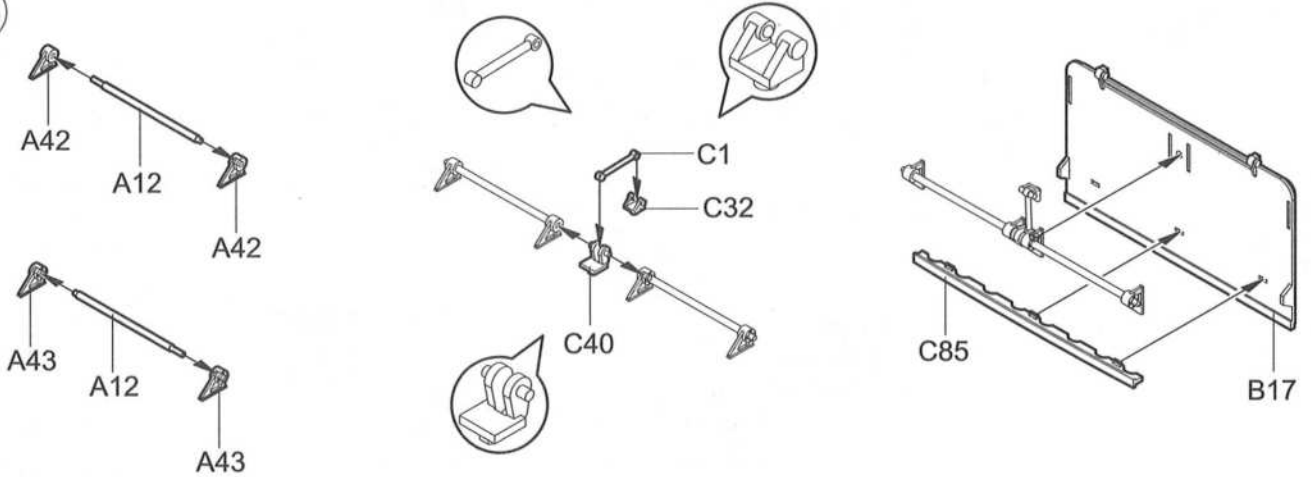
6



7

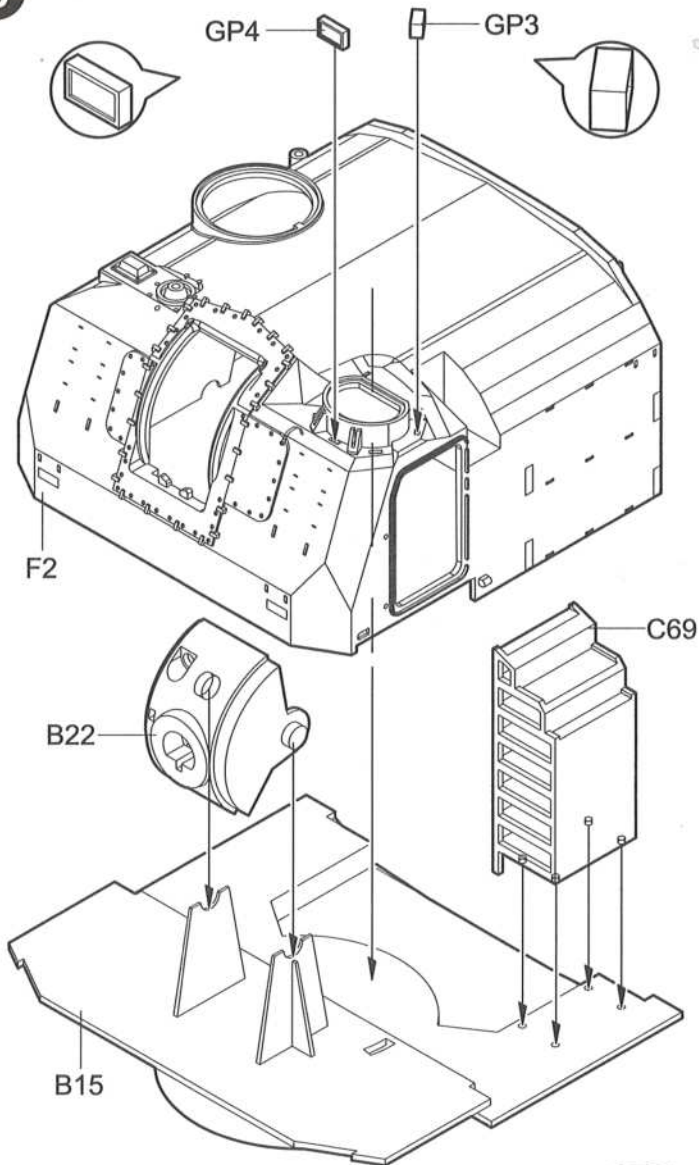


25

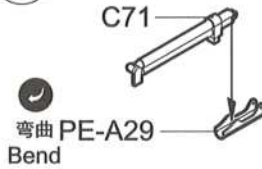




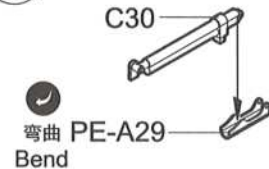
8



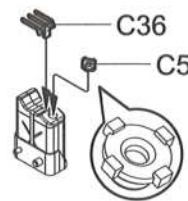
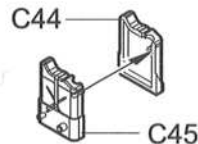
26



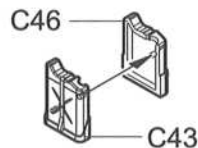
27



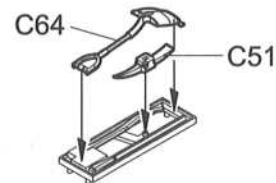
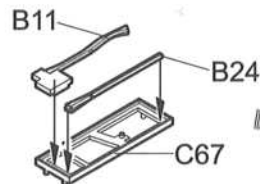
28



29



30



对侧 27  
Opposite 27

26



C18

B18

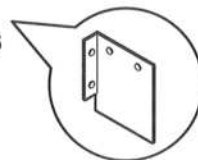
PE-B1  
对侧 PE-B2  
Opposite PE-B2

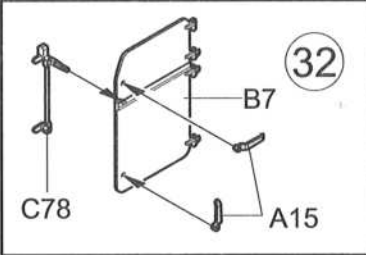
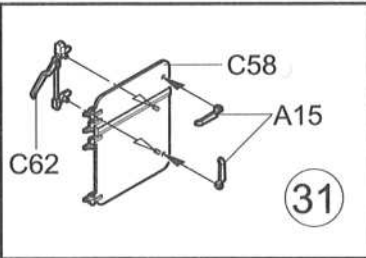
弯曲  
Bend

弯曲  
Bend  
对侧 PE-B4  
Opposite PE-B4  
PE-B3

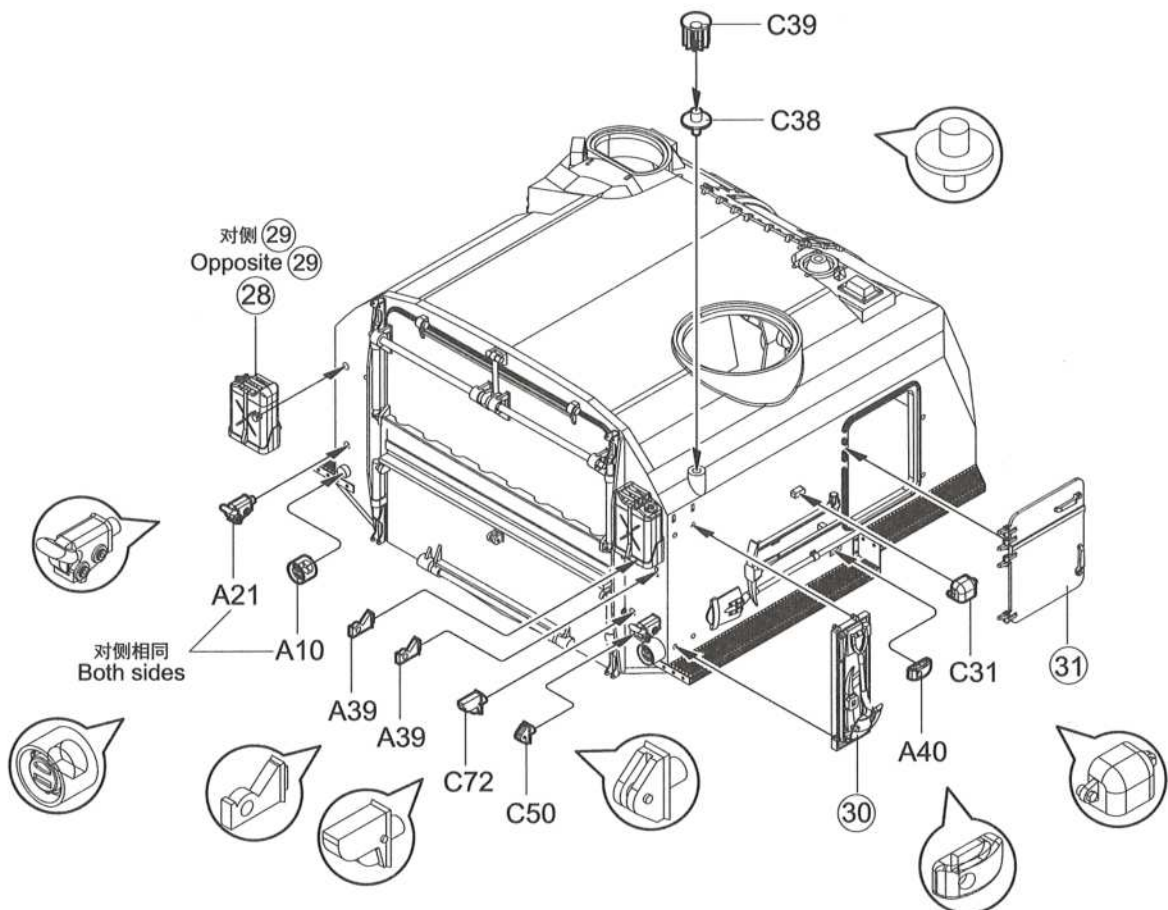
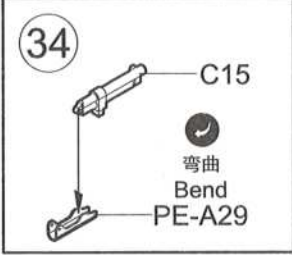
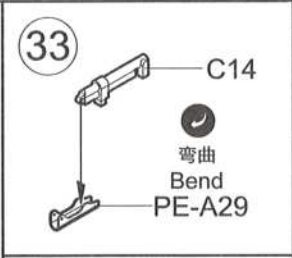
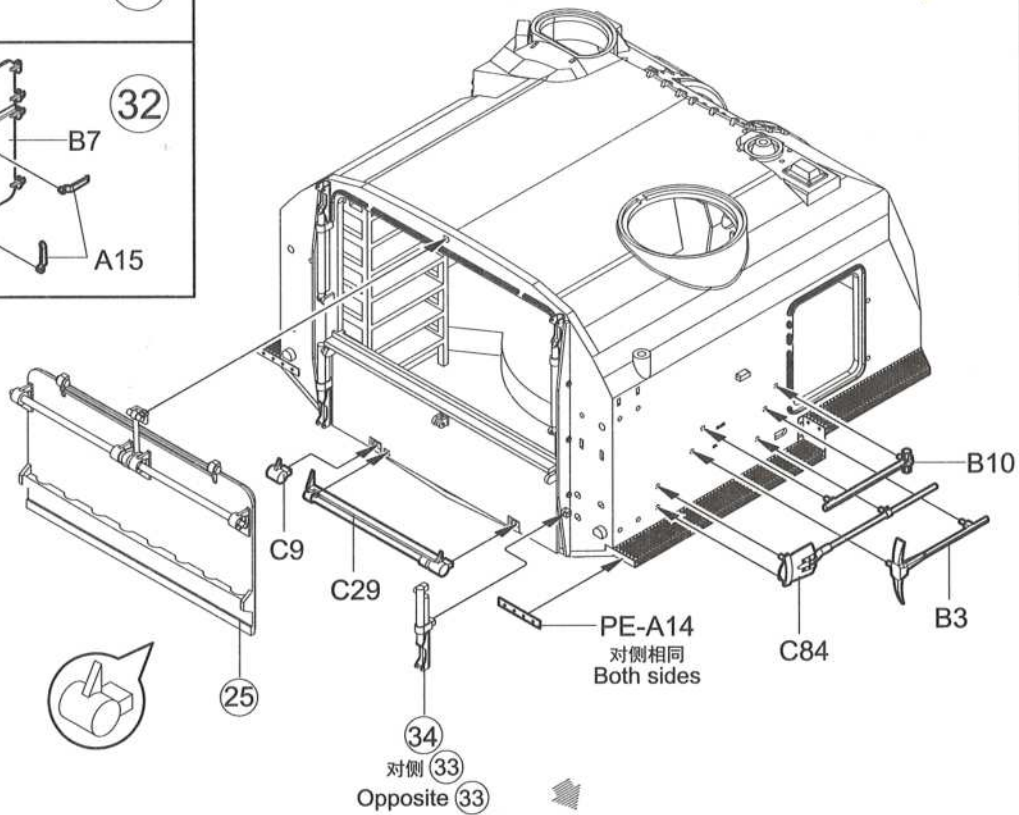
PE-A22+PE-A16  
对侧 PE-A21+PE-A16  
Opposite PE-A21+PE-A16

弯曲  
Bend

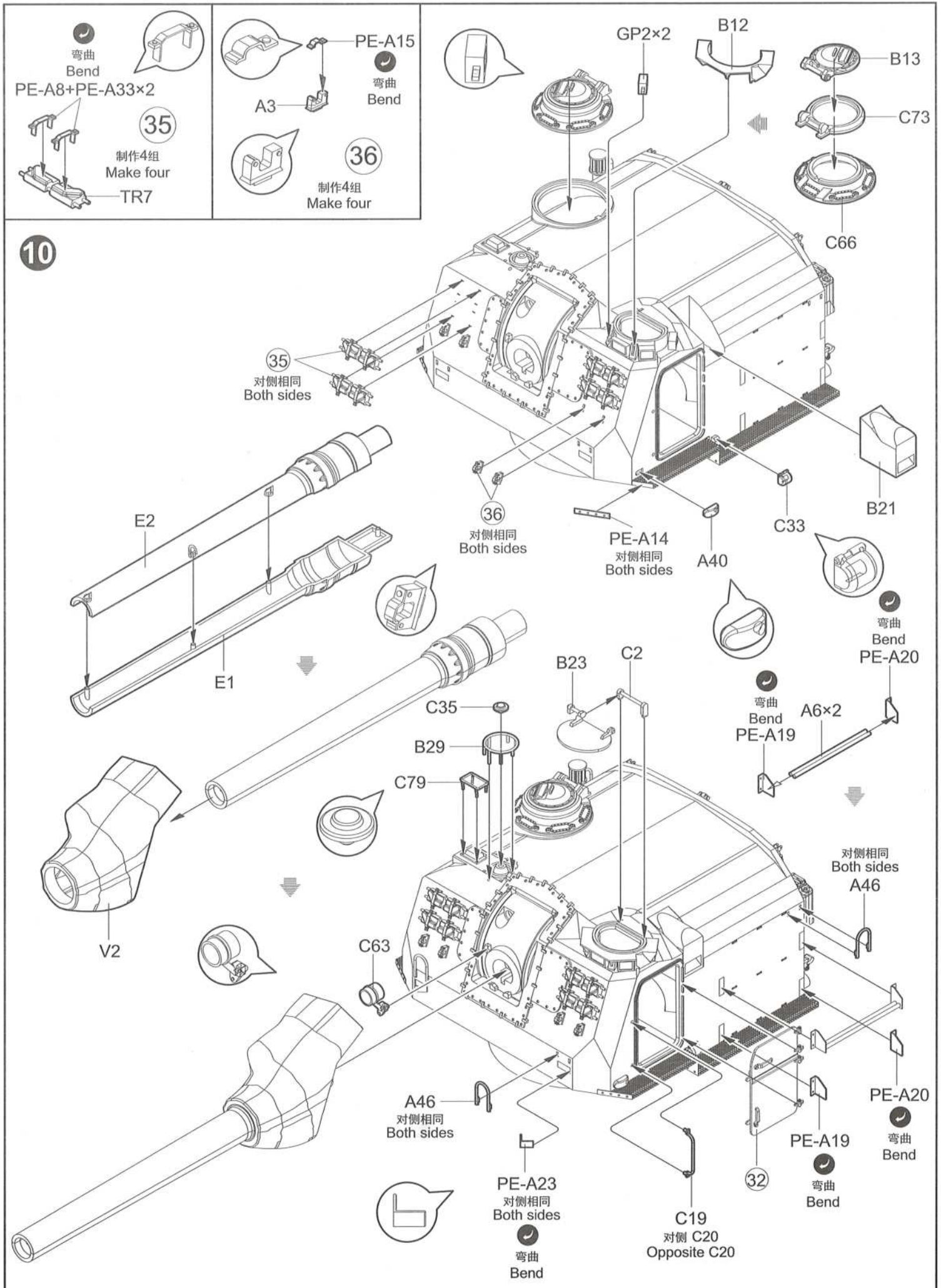


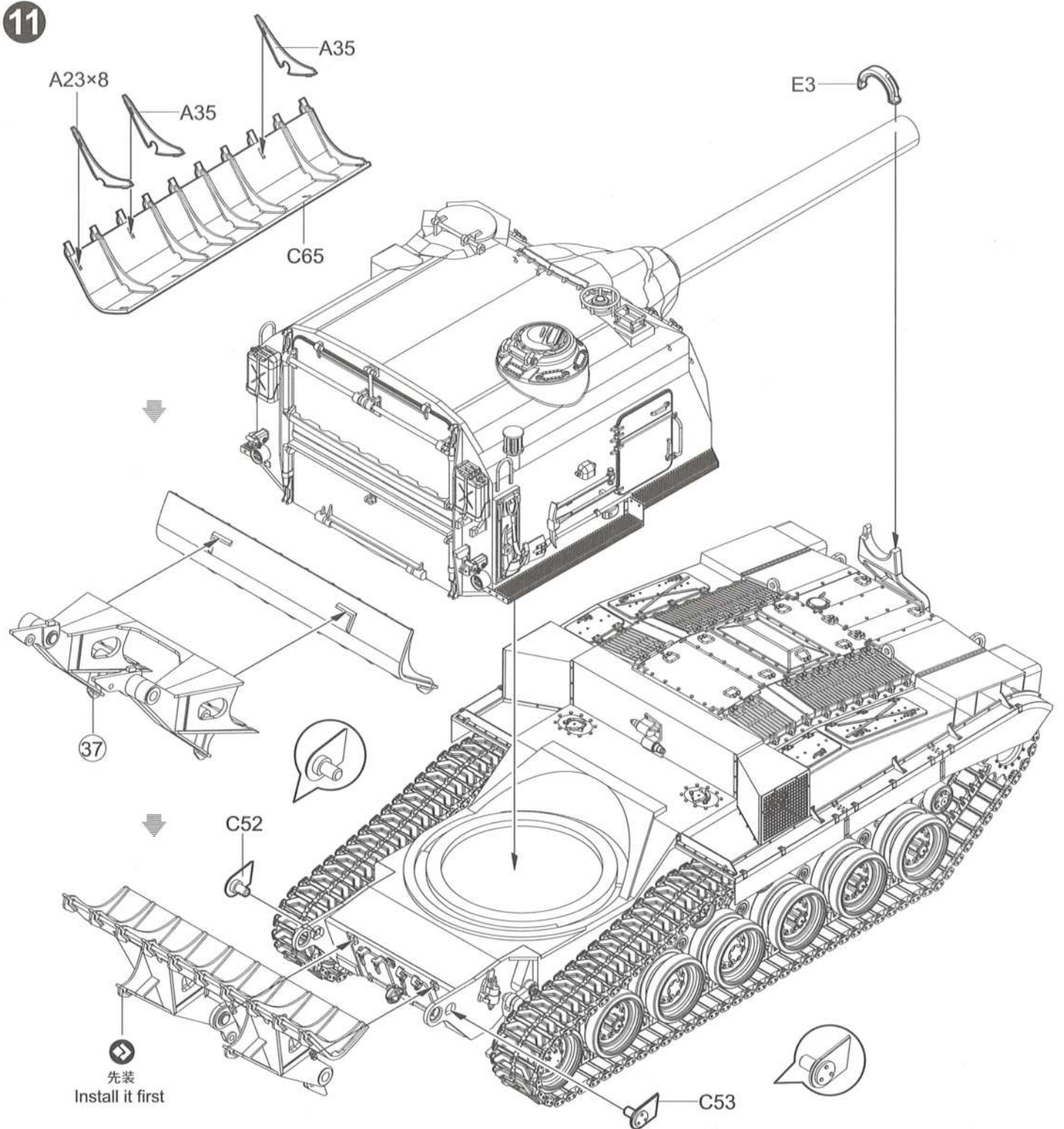
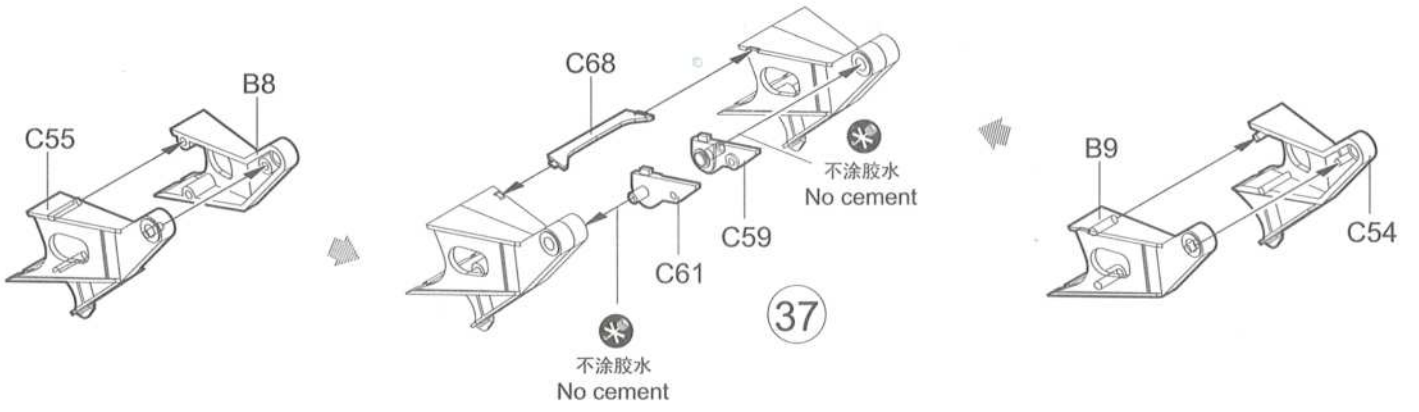


9









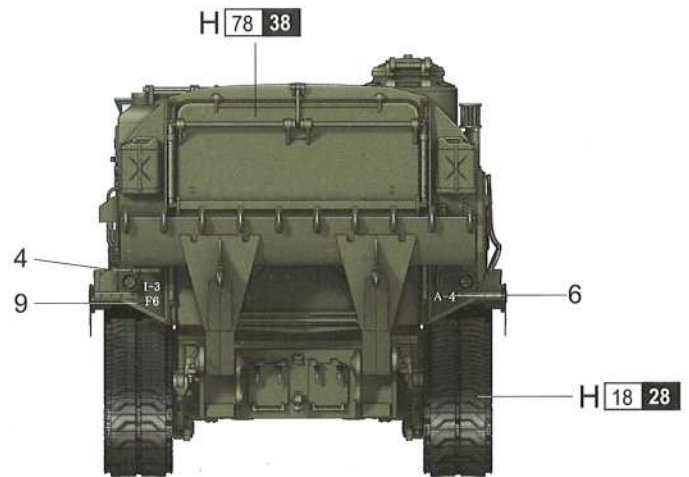
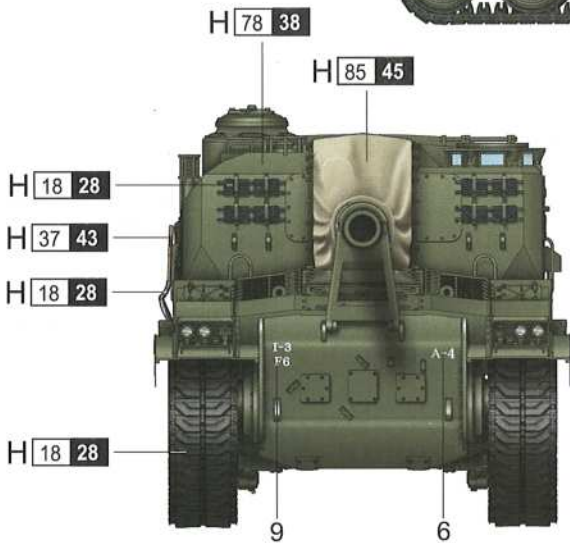
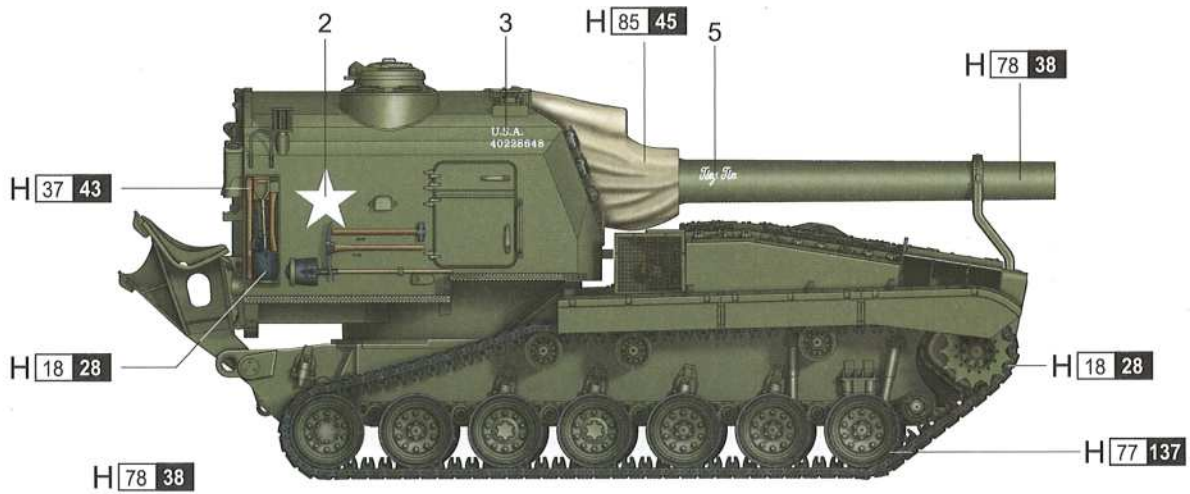
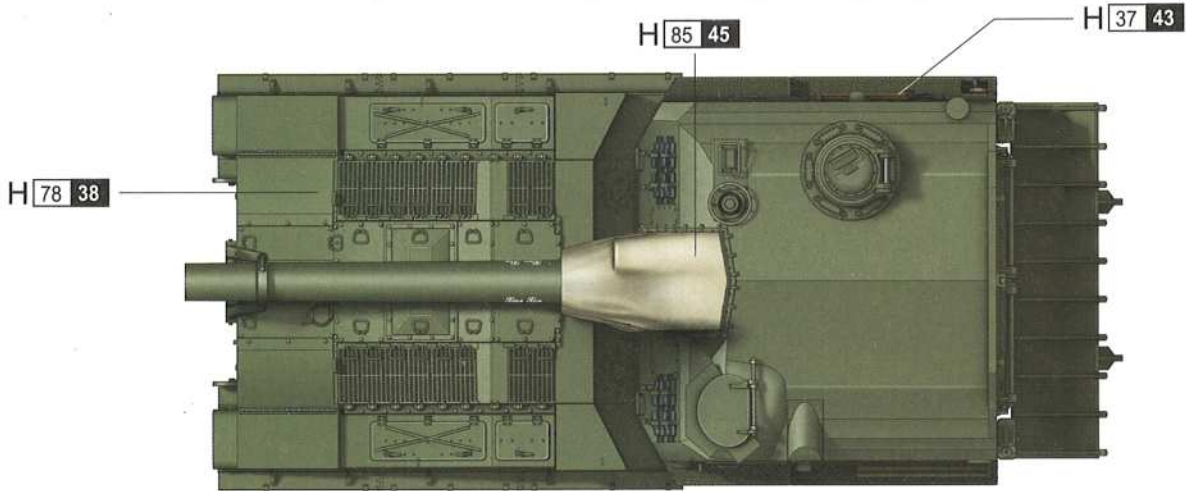
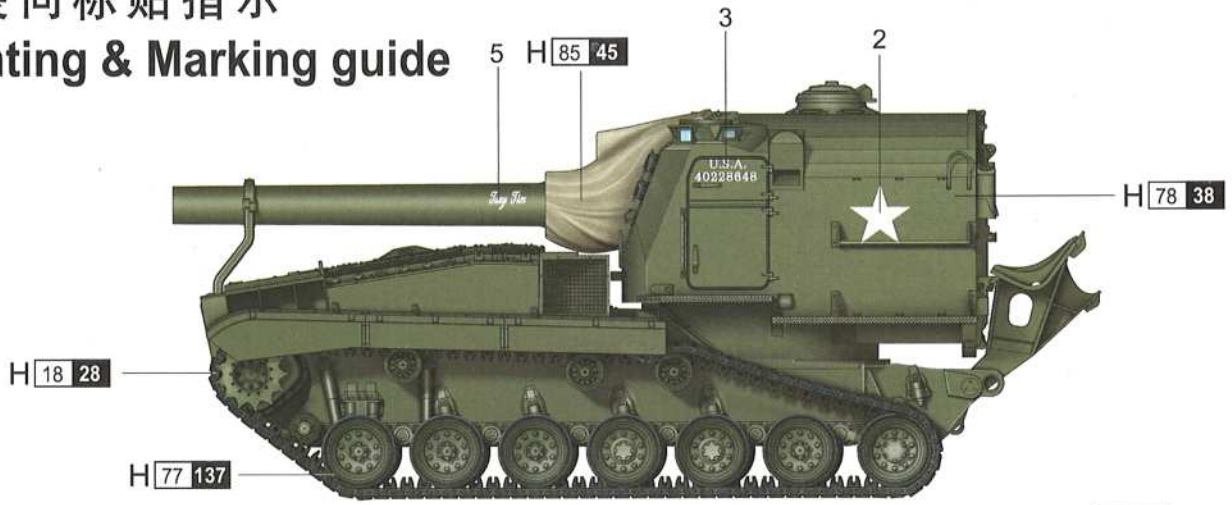




# 涂装同标贴指示

## Painting & Marking guide

**B**



H  AQUEOUS HOBBY COLOR     Mr. COLOR    N  ACRYSION COLOR

**PAINT REFERENCE COLOR**

Color	Mr.Hobby	Acrycion	Vallejo	Model Master	Tamiya	Humbrol	Color	Mr.Hobby	Acrycion	Vallejo	Model Master	Tamiya	Humbrol
Steel 黑铁色	H 18 28	N 18	864	1402	XF84	—	Tire Black 胎黑色	H 77 137	N 77	—	—	XF85	—