

# 1/48 Scale

# Item No.:02855



# Russian MiG-23ML Flogger-G

## 俄罗斯米格-23ML “鞭挞者-G” 战斗机

### PLEASE READ BEFORE OPERATION!

\* Tools recommended as below: (Not included)

Adhesives: Paints: Side Cutters; Sharp Edged Pliers; Modeling Knife; Modeling File; Nippers; Drill; Scissors; Sand Paper; Soft Cloth; Cyanoacrylate Glue.

\* Make sure to read this instruction listed below before assembling.

\* The kit contains the small parts, they can be dangerous if swallowed by mistake, so keep them away from reach of children.

\* Cut the all parts off carefully and remove the waste parts into the garbage can.

\* More caution and care should be needed for cutting and handling the photo etched parts.

\* Make attention that some parts should be attached the decal when assembled.

\* During assembling, please tear up and throw away the plastic bags, or may cause the dangerous if wearing over head by children's mistake.

\* When using the adhesives and paints, please do not use them in the closed room or near the fire, also must be very careful to protect your eyes, face and clothes.

\* Adult supervised when assembled by children under 14 years old.

### 装配前请仔细阅读:

\* 推荐使用的模型工具(请自备):

专用模型胶水, 专用模型油漆, 水口剪刀, 长钳钳, 刀片, 镊子钳, 钻, 剪刀, 帆布, 砂纸, 瞬间快干胶等。

\* 用水口剪刀或刀片小心切下所有塑胶零件和蚀刻片零件, 不要遗失小零件。

\* 切取蚀刻片时应特别注意防止利边划伤手指。

\* 用模型镊子小心钳平所有零件表面的注射浇口。

\* 用适量的强力快干胶水粘合蚀刻片零件和金属轴, 切忌过量, 否则可能导致可动零件被粘住。

\* 注意某些零件表面需在装配时同步贴上水贴纸。

\* 制作时应远离幼儿并将包装袋及时收妥, 谨防小孩玩耍而引起意外。

### The method to apply the decals

1. Cut off the decal from the decal paper and put it into the warm water 40°C for 10 seconds.

2. Take the decal from the water and put it on a piece of clean cloth.

3. Remove the decal slowly from the paper to the targeted location by a wet finger.

4. Use a piece of dry and soft cloth to press it gently on the decal until it getting dry and no bubble existing.

### 水贴纸的使用方法:

一. 把相关的印花从水贴纸上剪下, 放入40℃左右的温水中浸10秒。

二. 然后将印花放在干净的布上。

三. 拿上印花纸版, 手指蘸水将印花移到适当的位置。

四. 用软干布轻压印花直至水干, 气泡消失。

使用强力胶  
Cyanocrylate glue

配重  
Weight

钻孔  
Make hole

切除  
Cut / Remove

贴纸  
Decal

锉平  
File / Sand

选择  
Option

不涂胶水  
No cement

弯曲  
Bend

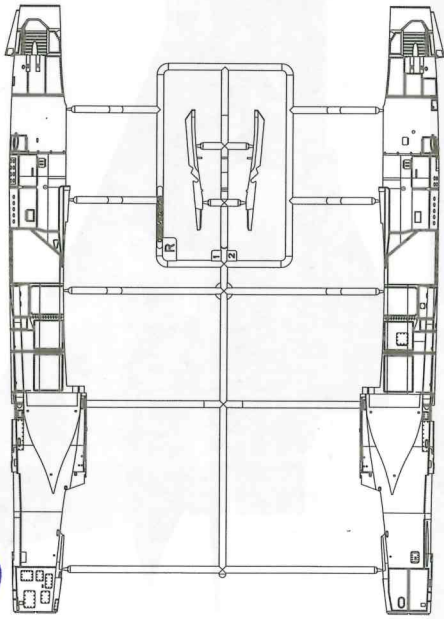
填补  
Repair

02855

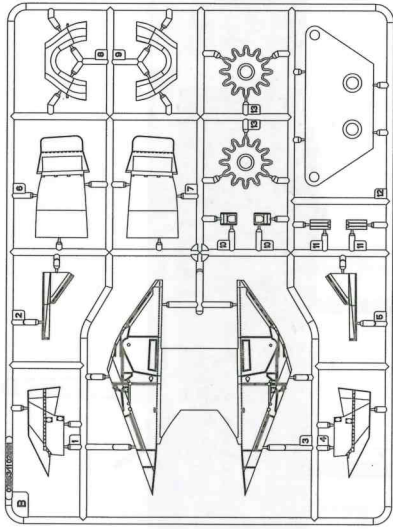
1

部品图  
Parts

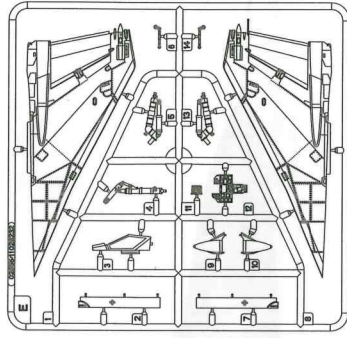
R



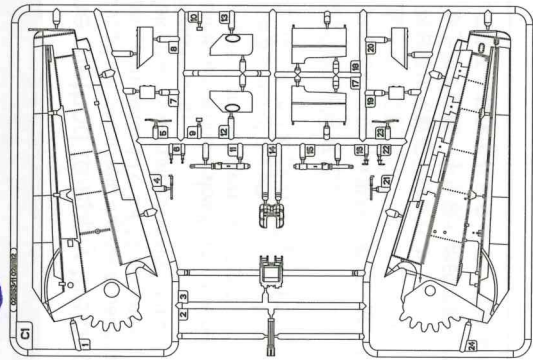
B



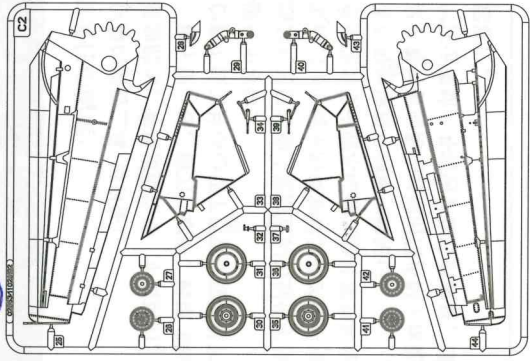
E



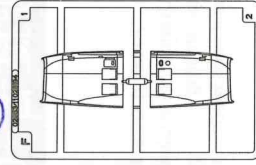
C1



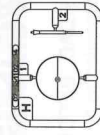
C2



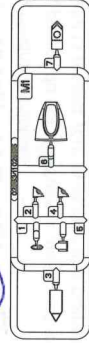
F



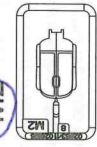
H



M1

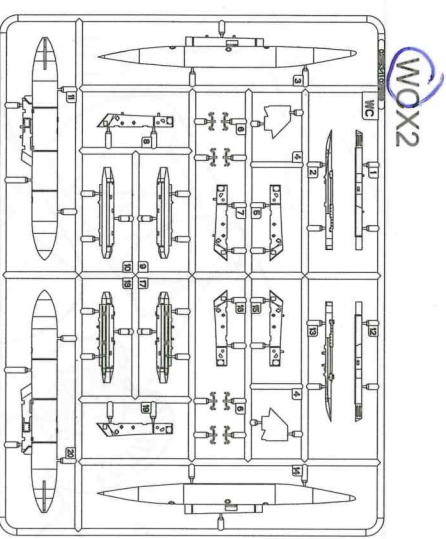
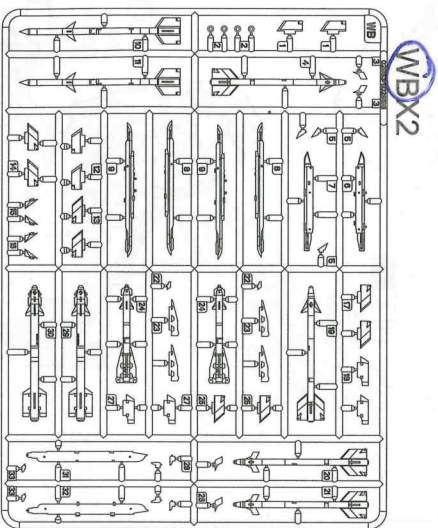
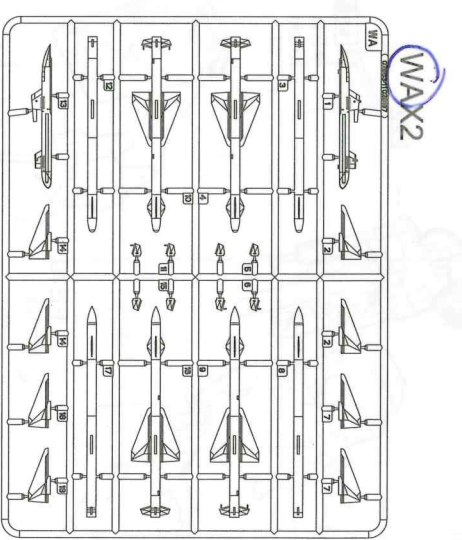
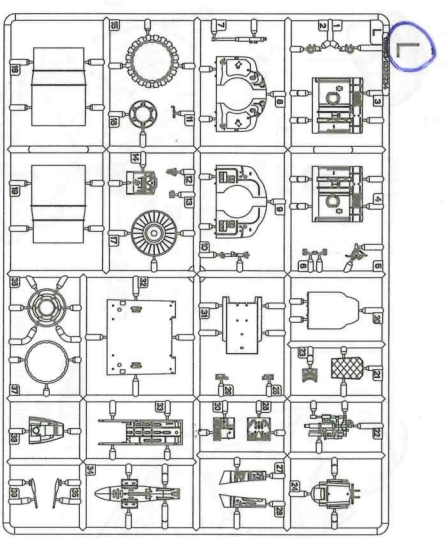
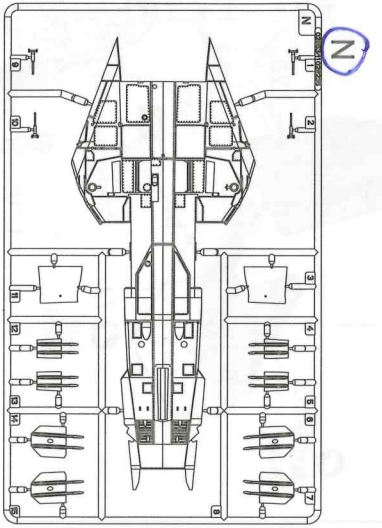


M2

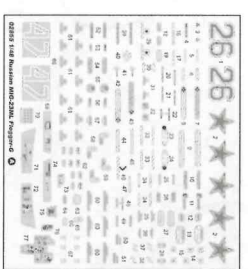




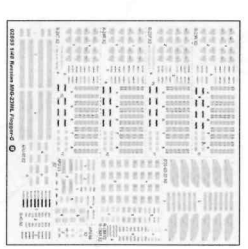
部品图  
Parts



《独刻片》  
Photo etched parts(PE)



《水贴A》  
Decal



《水贴B》  
Decal



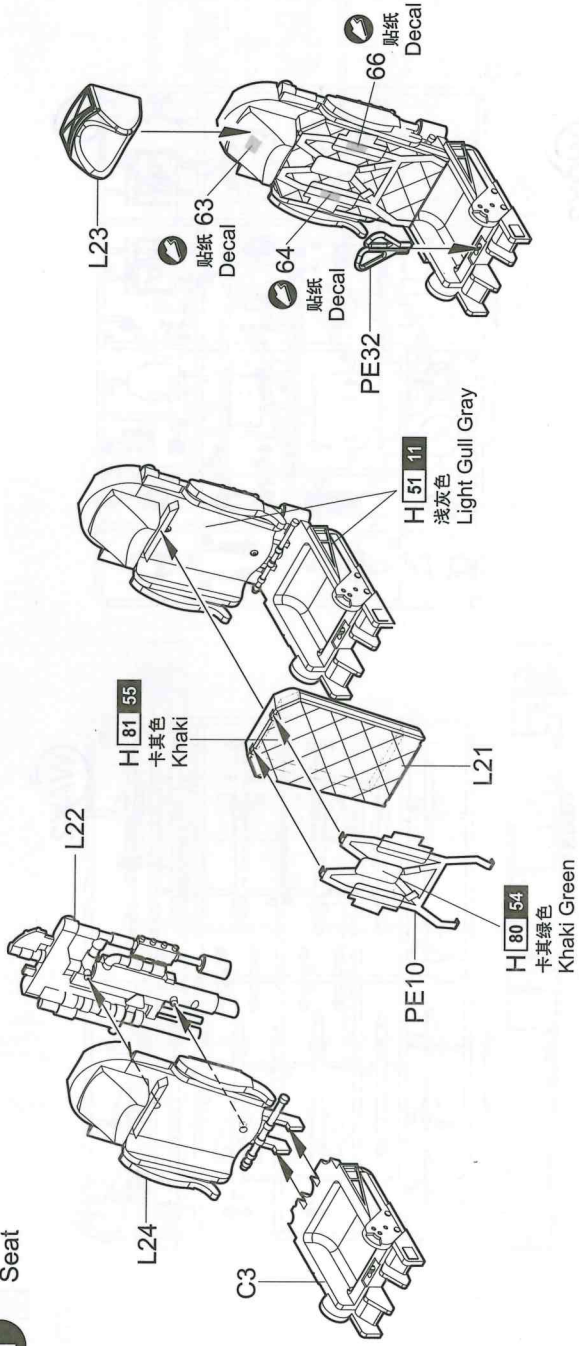
《尾喷管》 I  
Tail spout



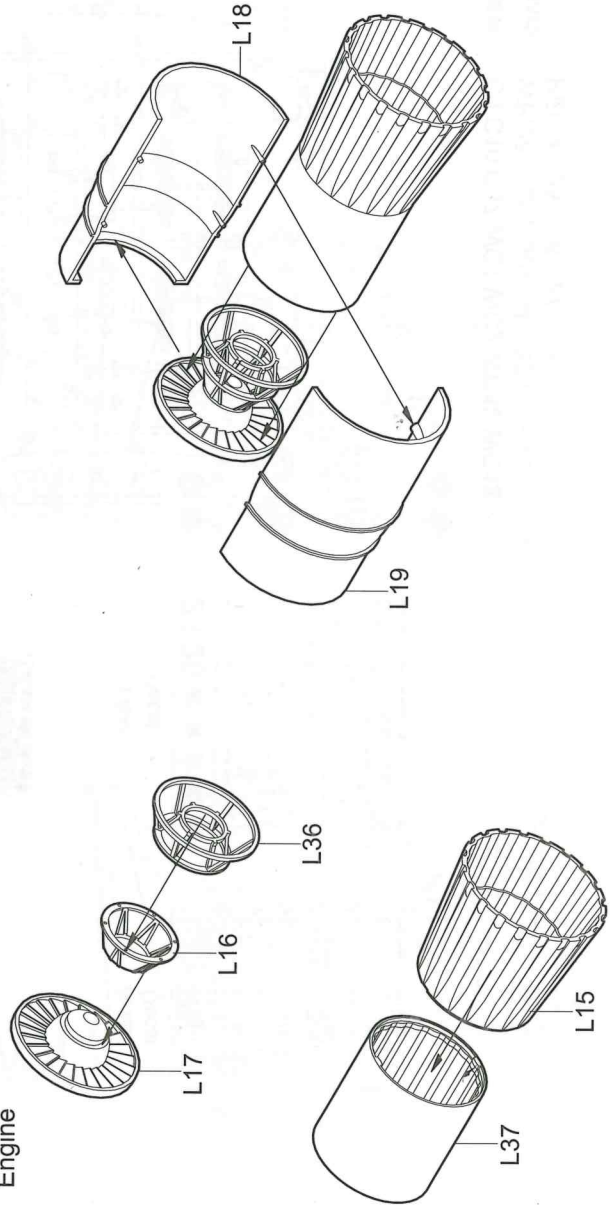
《尾喷管》 II  
Tail spout

不用的部件:  
Unused parts:  
C9 C10 C37 WC1 WC2 WC12 WC13  
WB(28、29、30、31、32)  
PE(19、25、26、27、28)

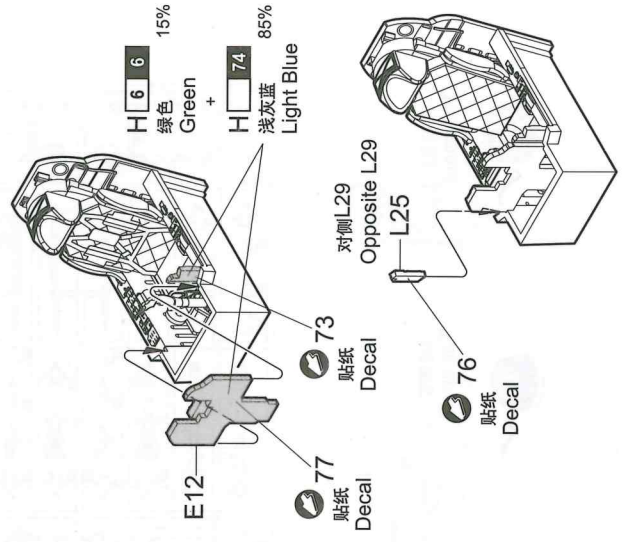
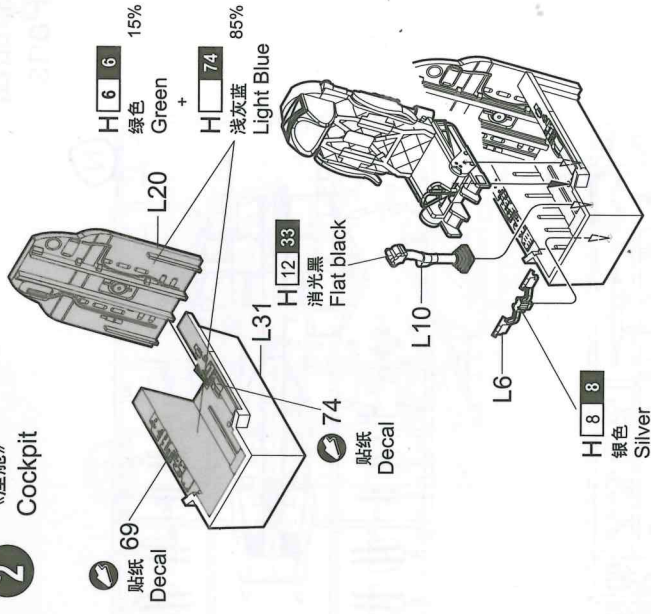
1 《座椅》  
Seat



3 《发动机》  
Engine



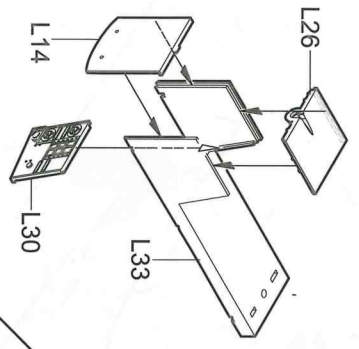
2 《座舱》  
Cockpit



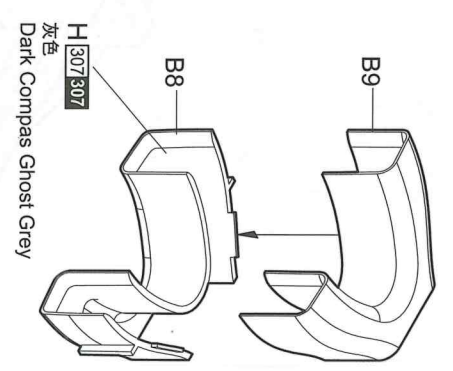


4

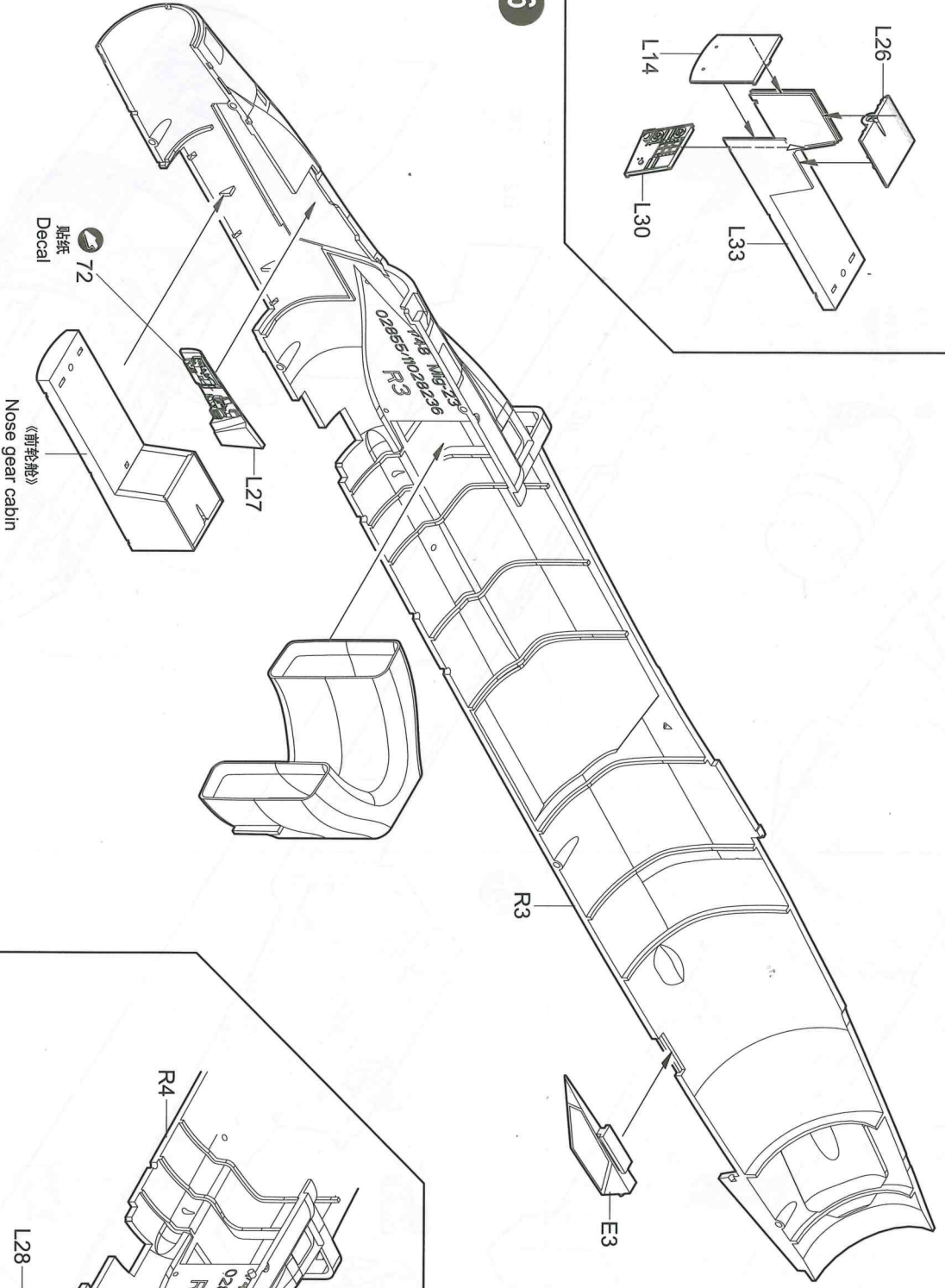
《前轮舱》  
Nose gear cabin



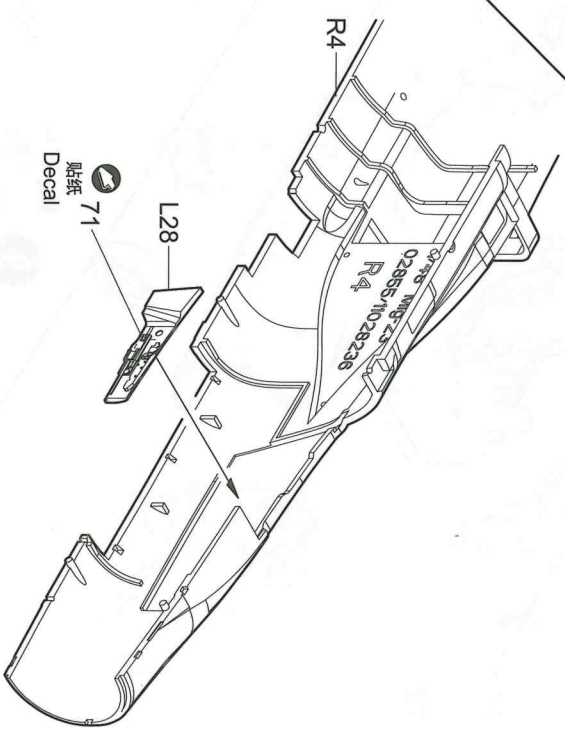
5



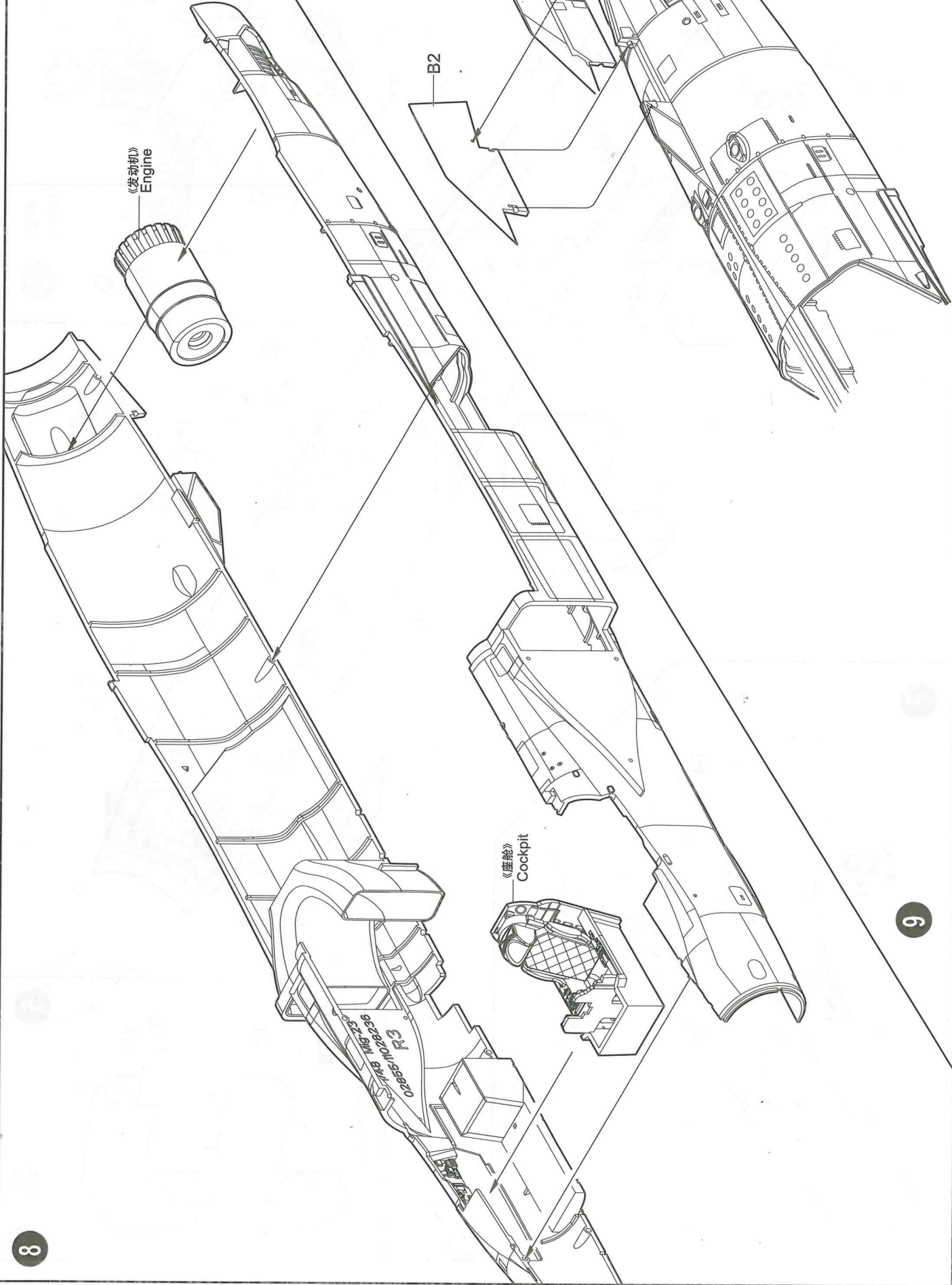
6



7

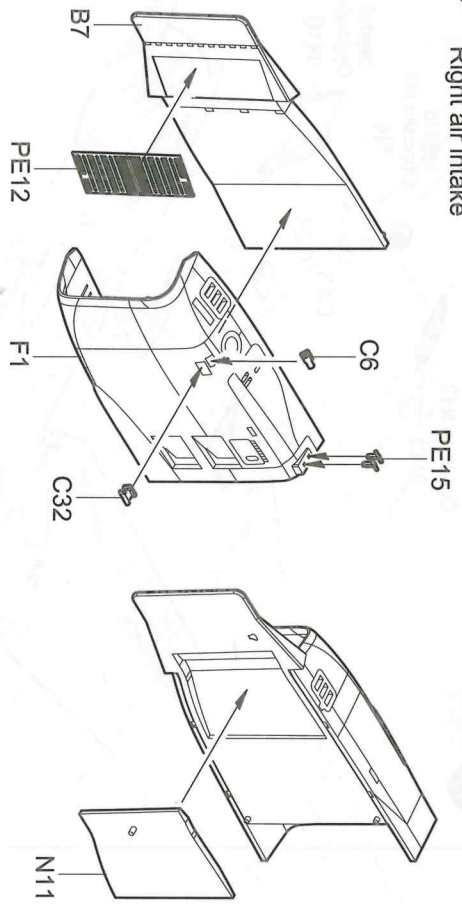


8

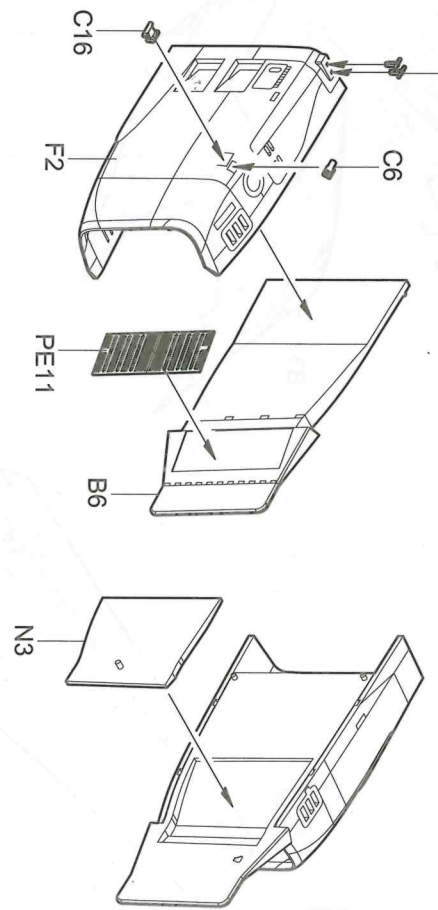


9

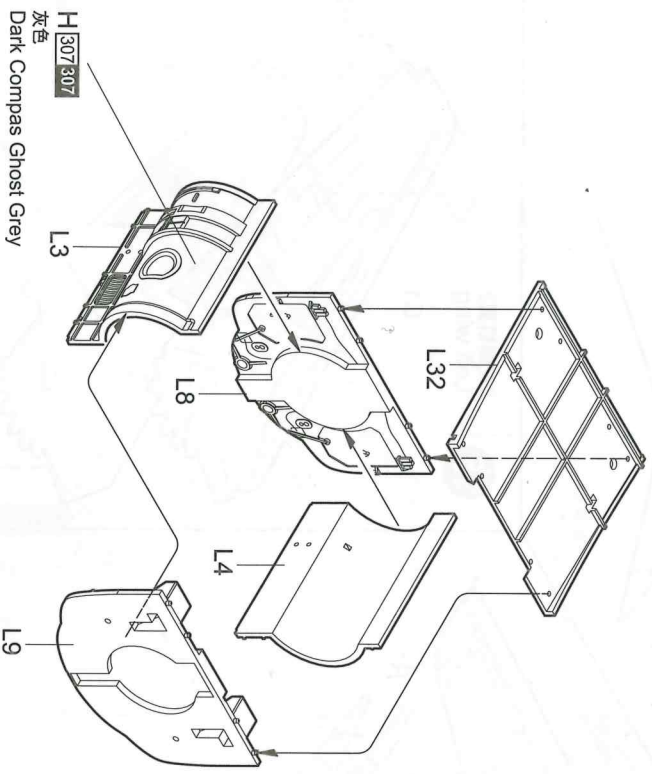
**10** 《右侧进气道》  
Right air intake



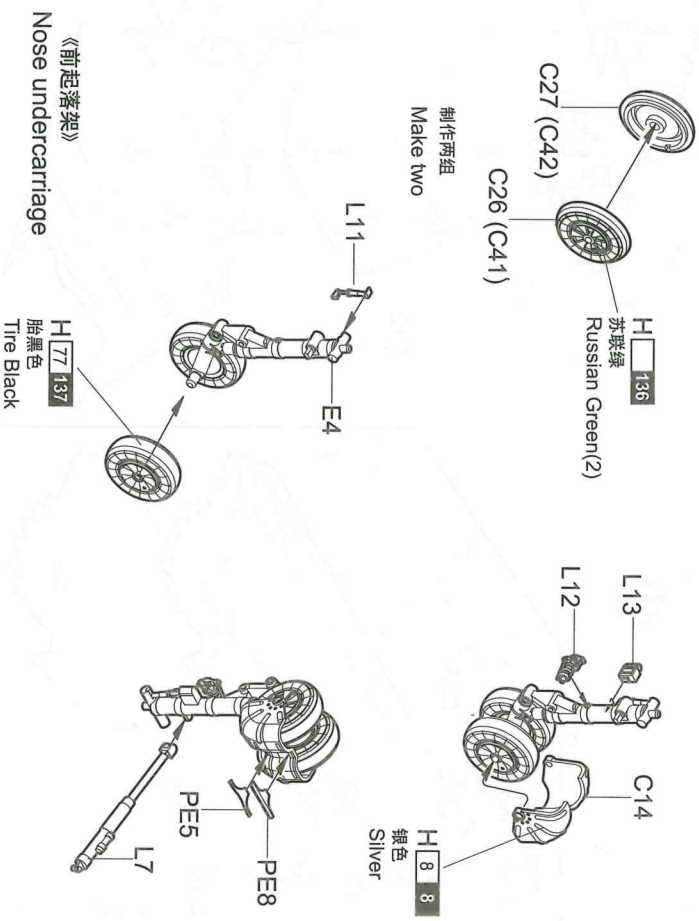
**11** 《左侧进气道》  
Left air intake



**12** 《主轮舱》  
Main gear cabin

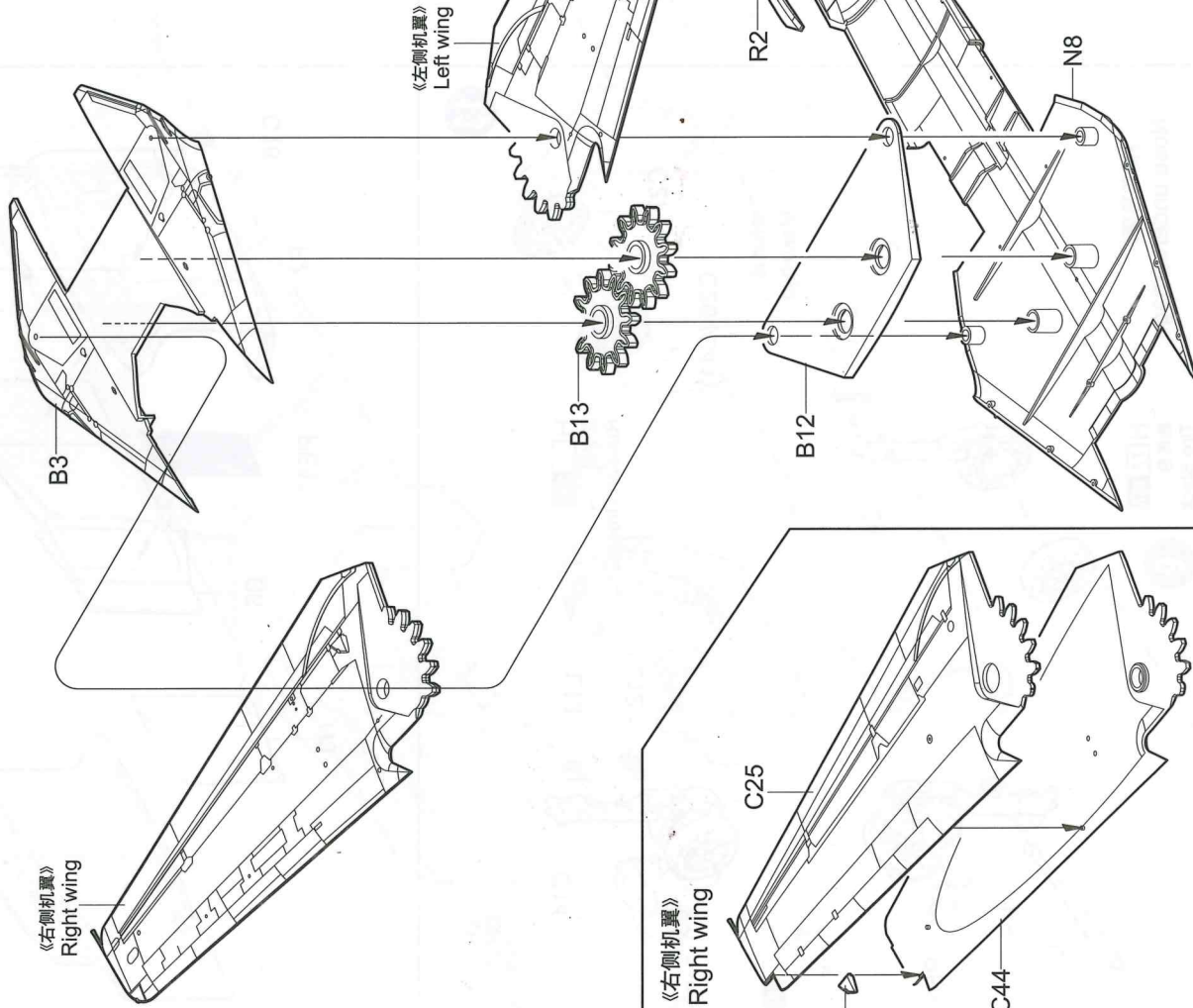


**13**



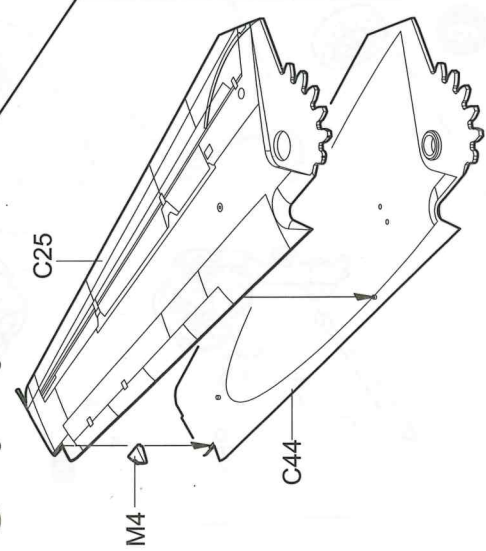


16

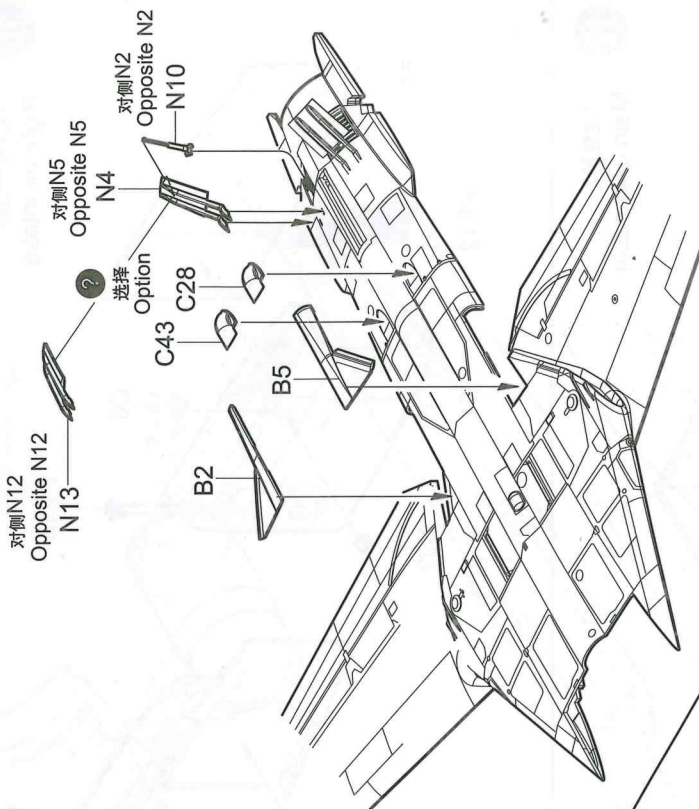


14

《右侧机翼》  
Right wing

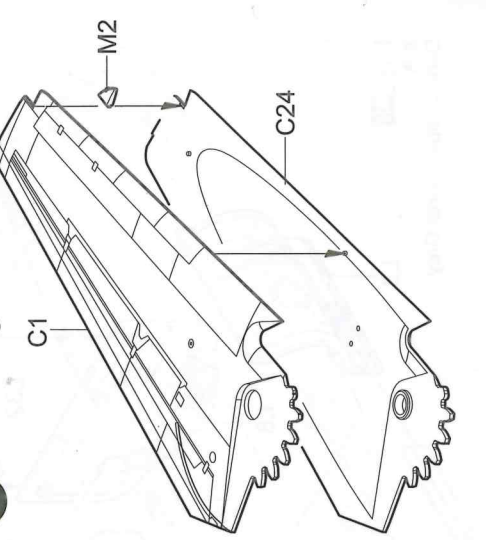


17

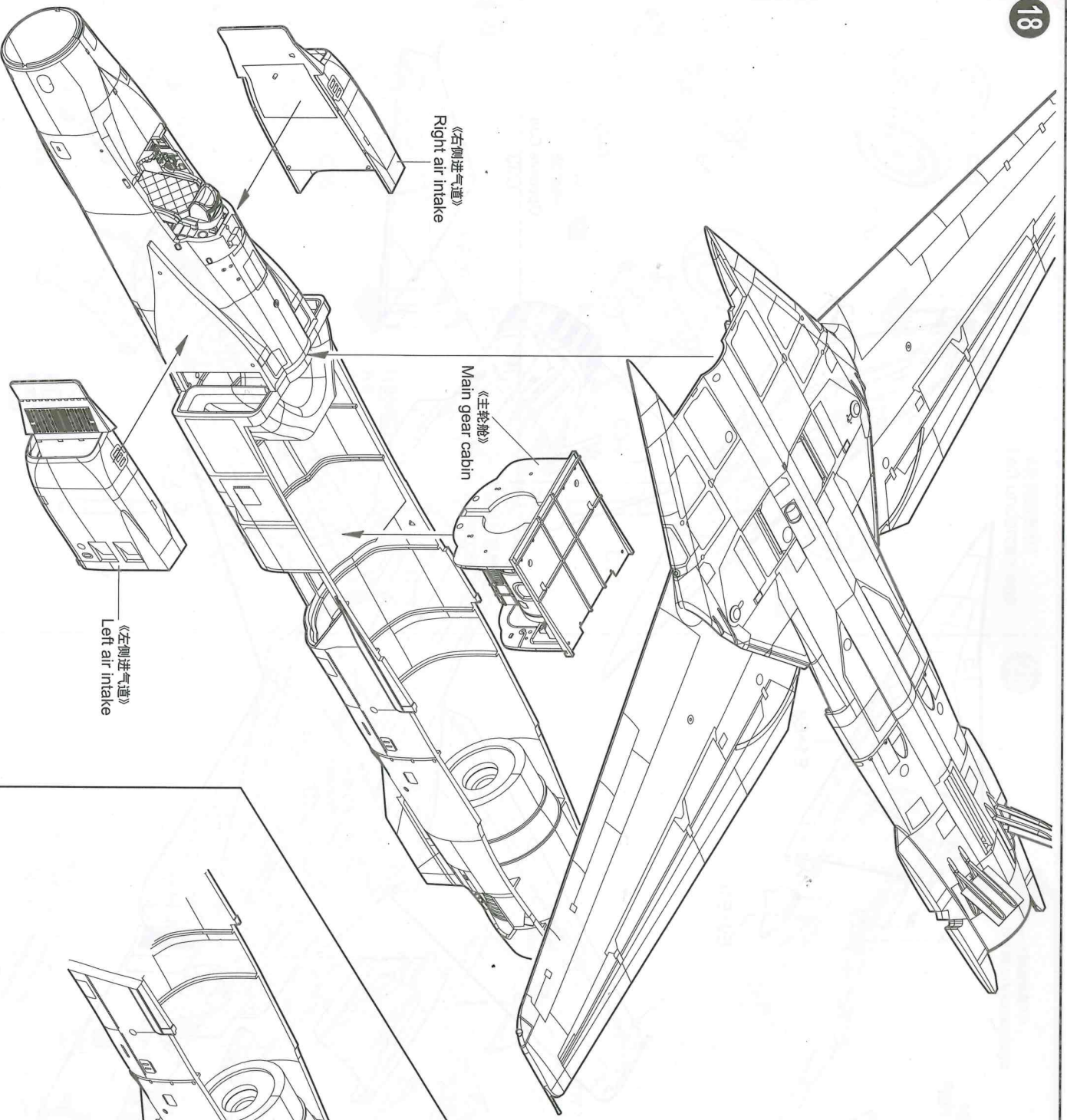


15

《左侧机翼》  
Left wing



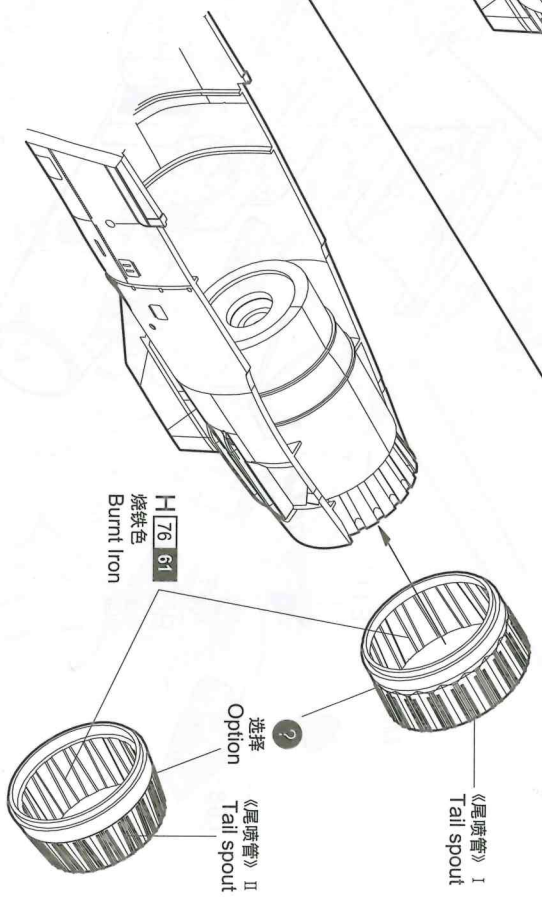




《右侧进气道》  
Right air intake

《主轮舱》  
Main gear cabin

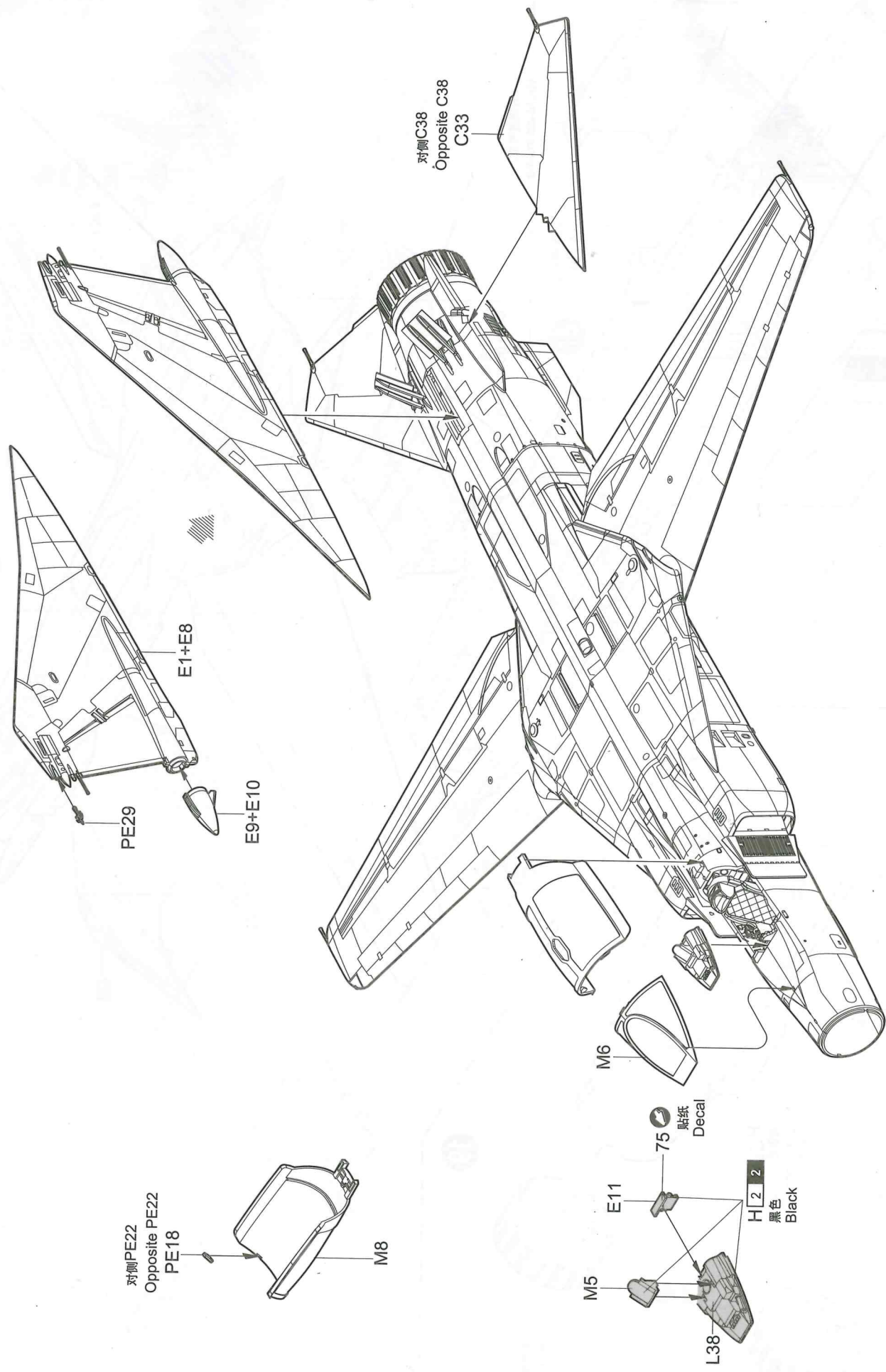
《左侧进气道》  
Left air intake



《尾喷管》 I  
Tail spout

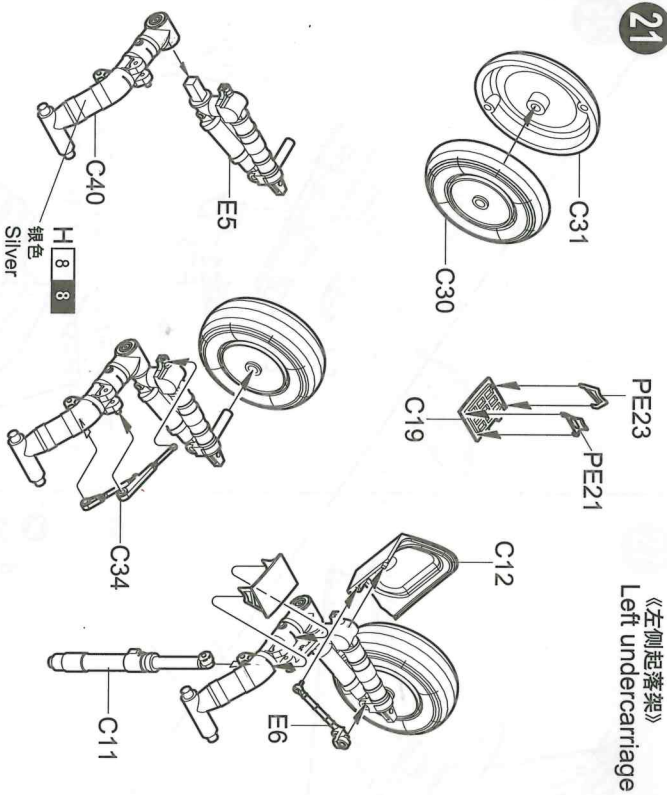
选项  
Option  
《尾喷管》 II  
Tail spout

H176 61  
烧铁色  
Burnt Iron

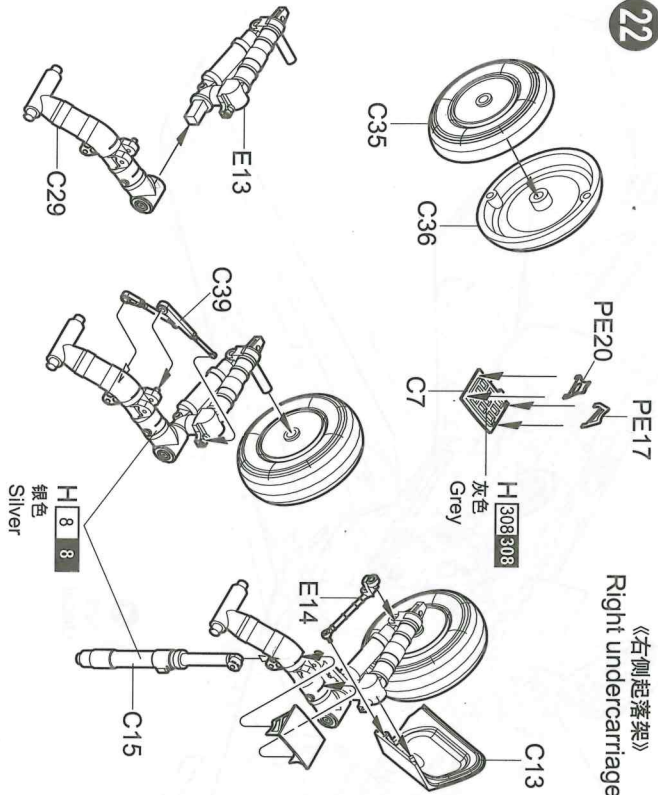




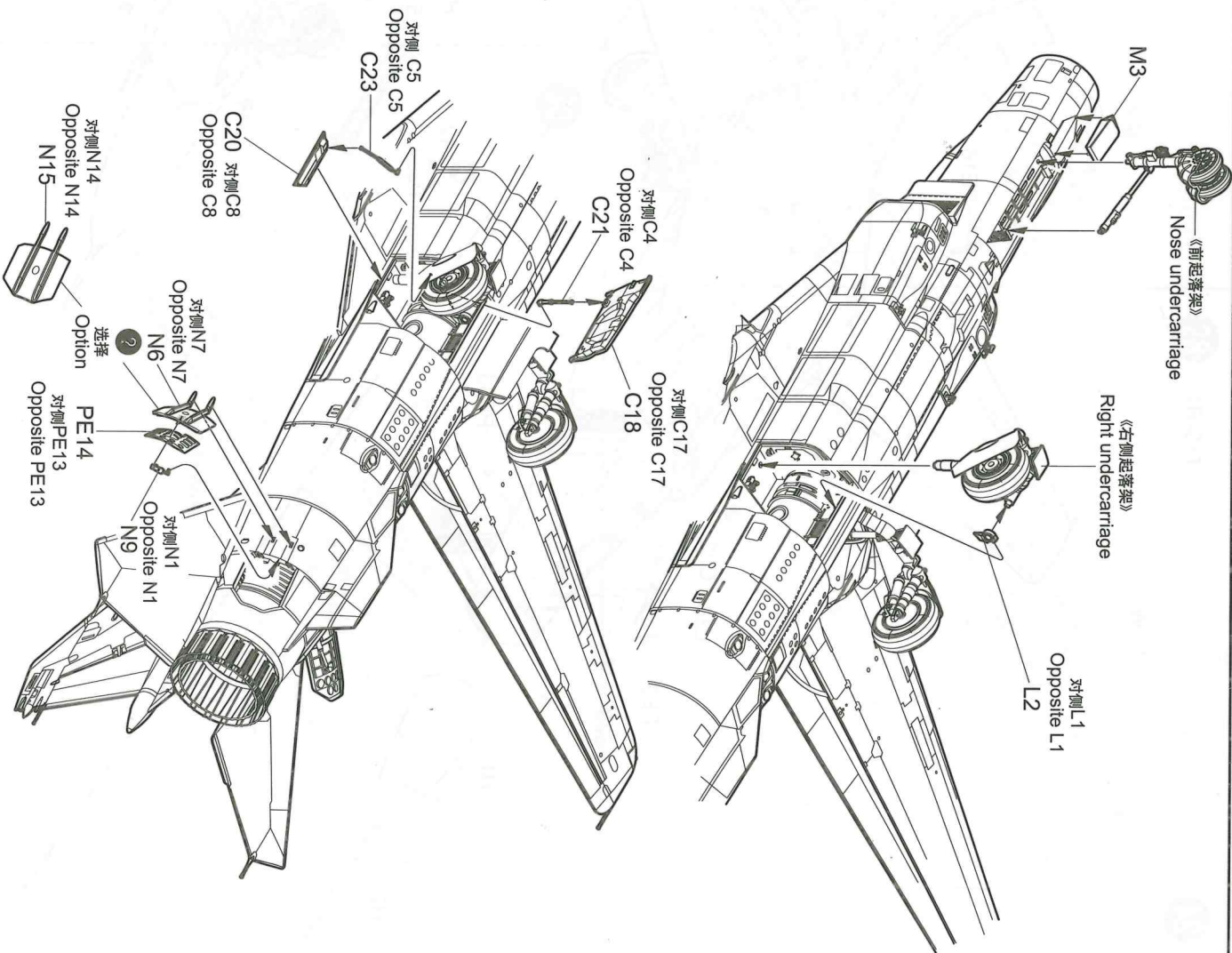
21

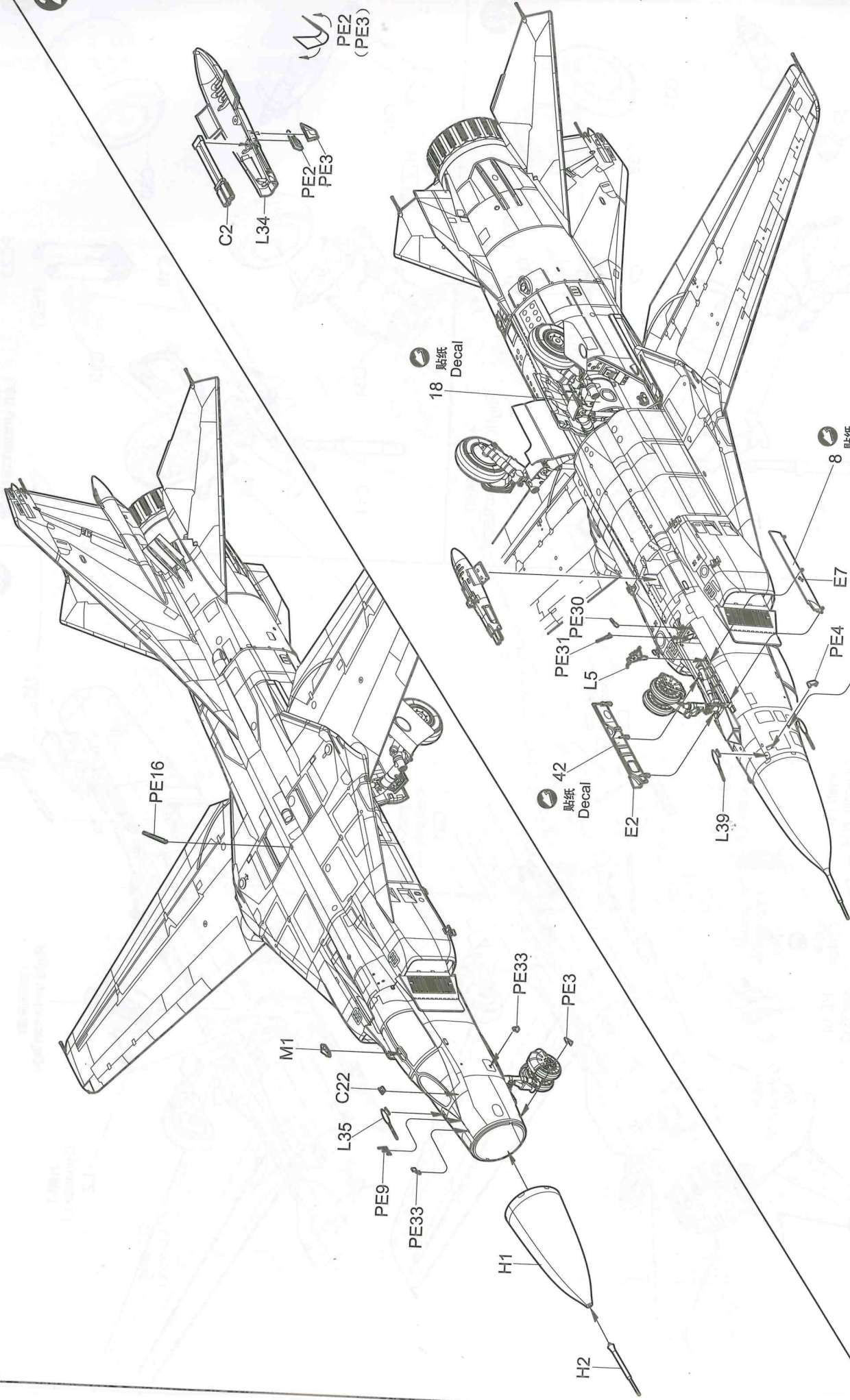


22



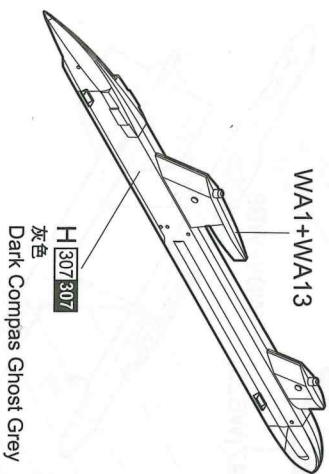
23







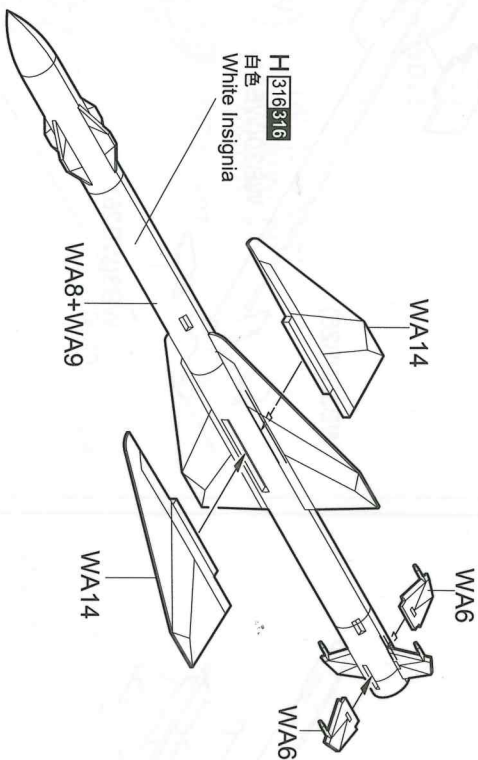
26



用于:R-23R R-23T R-24R R-24T  
 Use for:R-23R R-23T R-24R R-24T

27

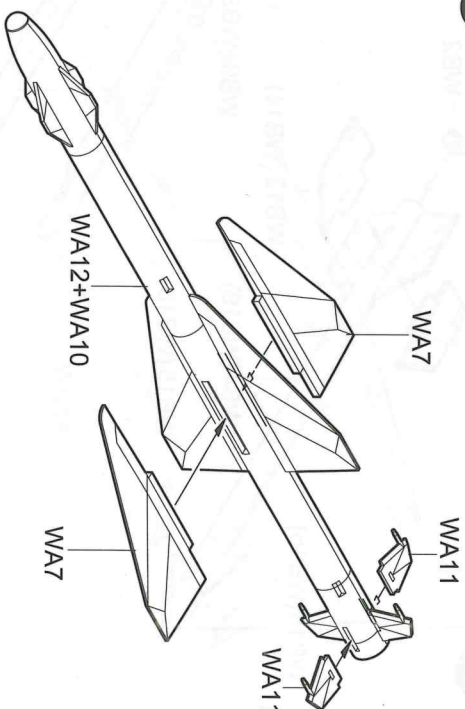
《R-23R》



制作两组  
 Make two

28

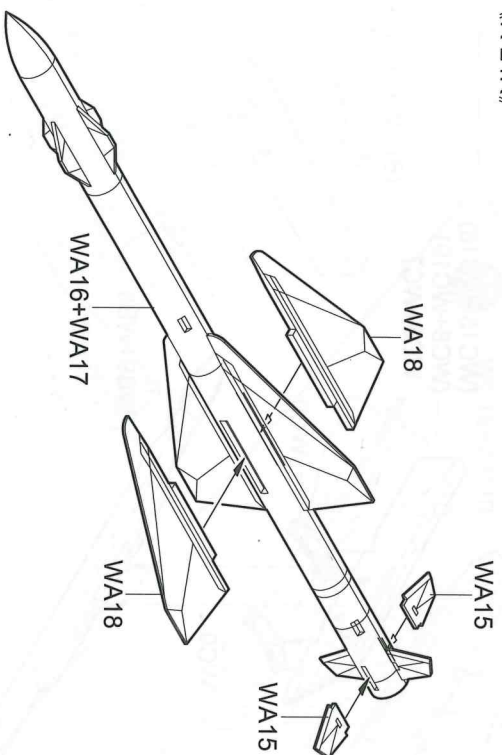
《R-23T》



制作两组  
 Make two

29

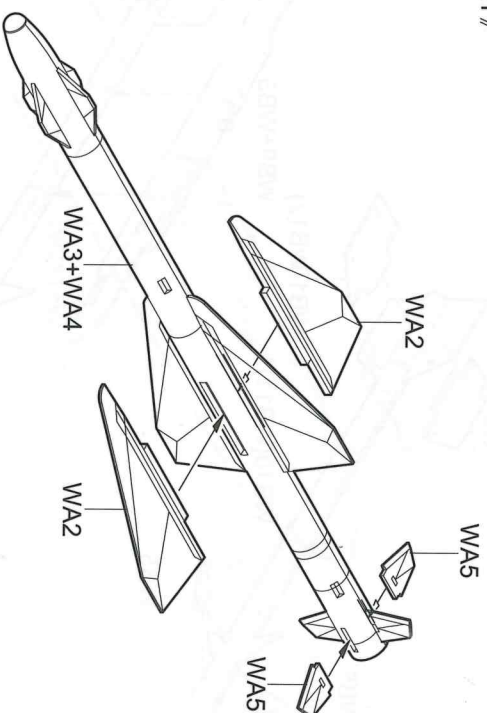
《R-24R》



制作两组  
 Make two

30

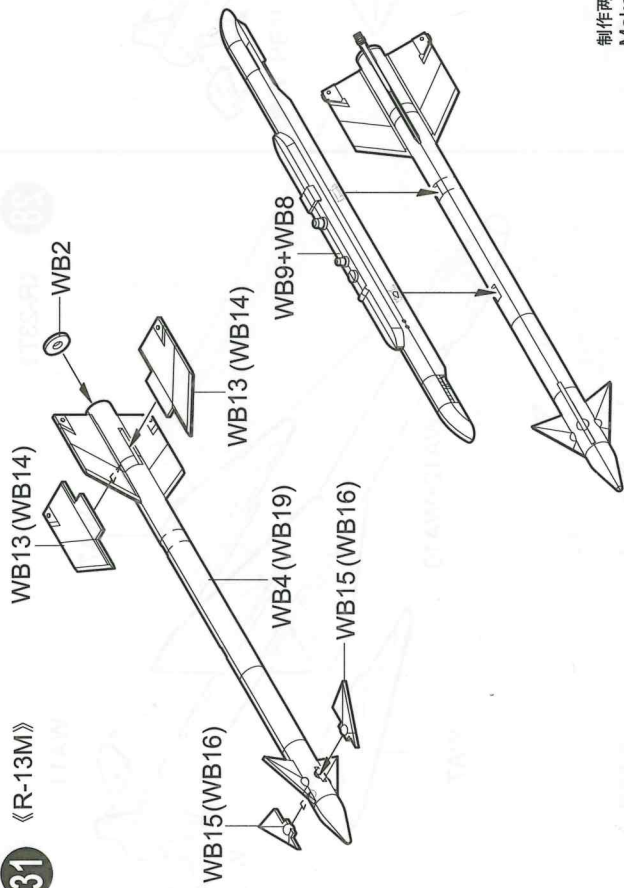
《R-24T》



制作两组  
 Make two

31

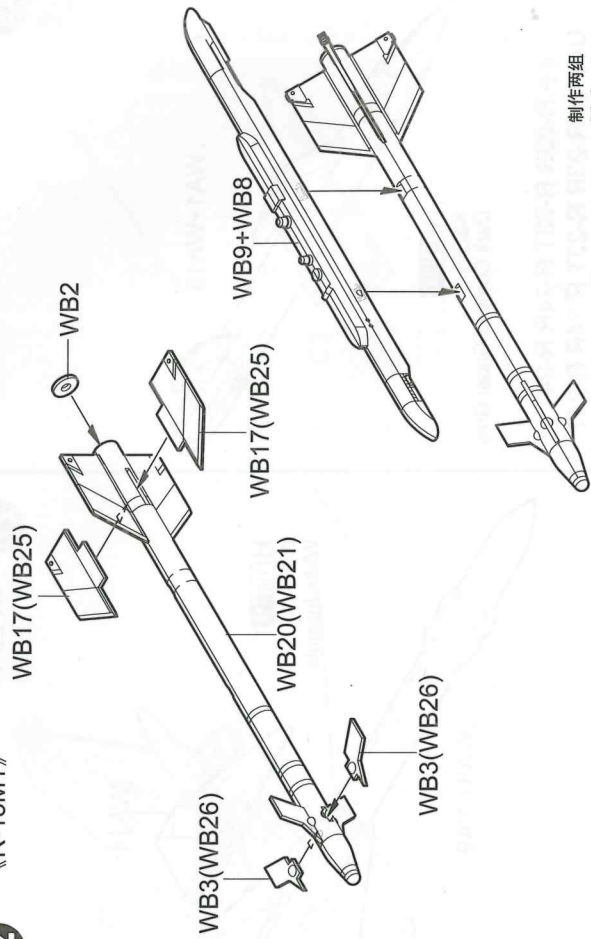
《R-13M》



制作两组  
Make two

32

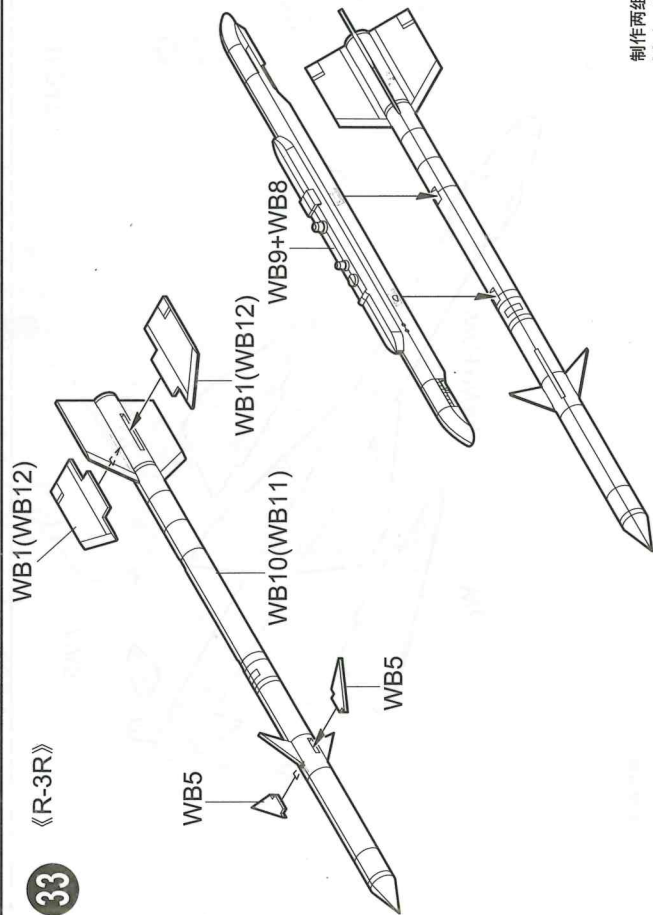
《R-13M1》



制作两组  
Make two

33

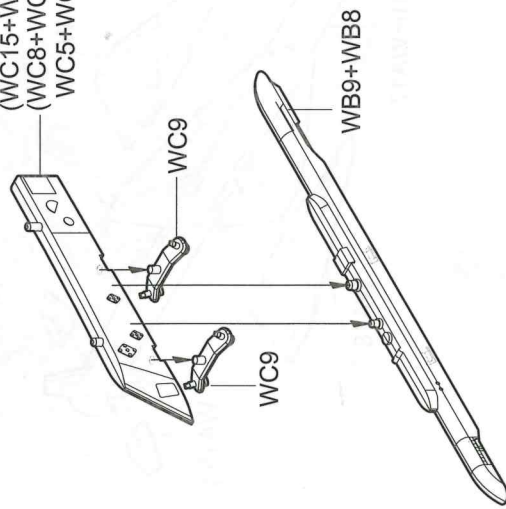
《R-3R》



制作两组  
Make two

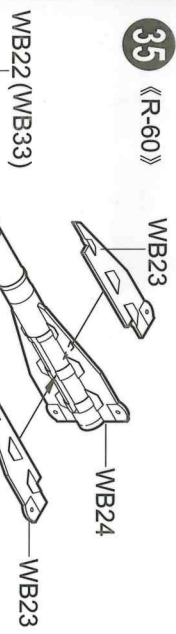
34

(WC15+WC16)  
(WC8+WC19)  
WC5+WC7



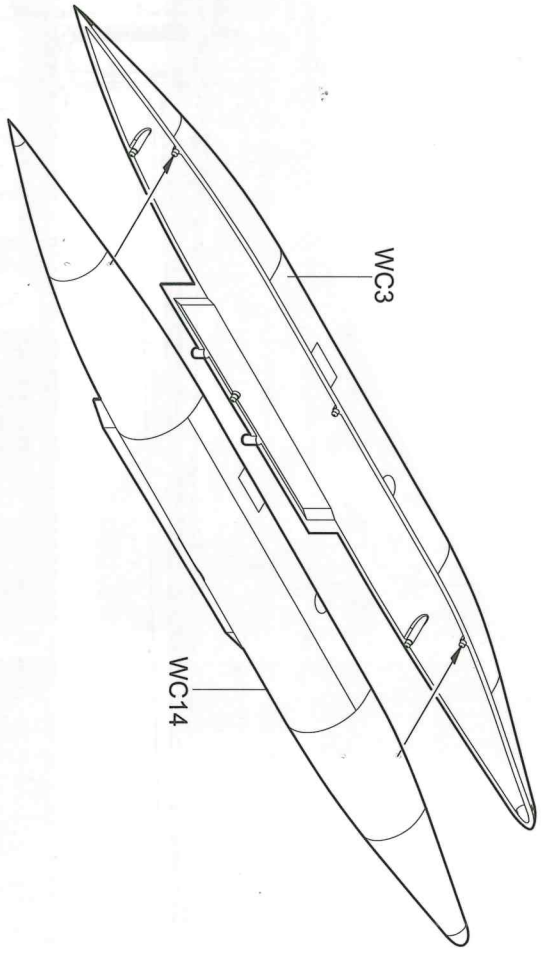


35 《R-60》

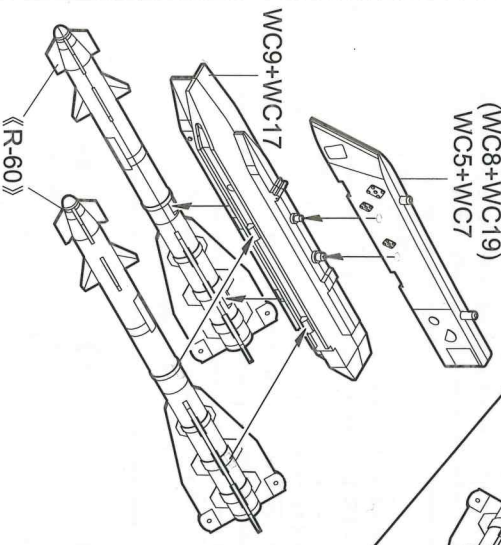


制作两组  
Make two

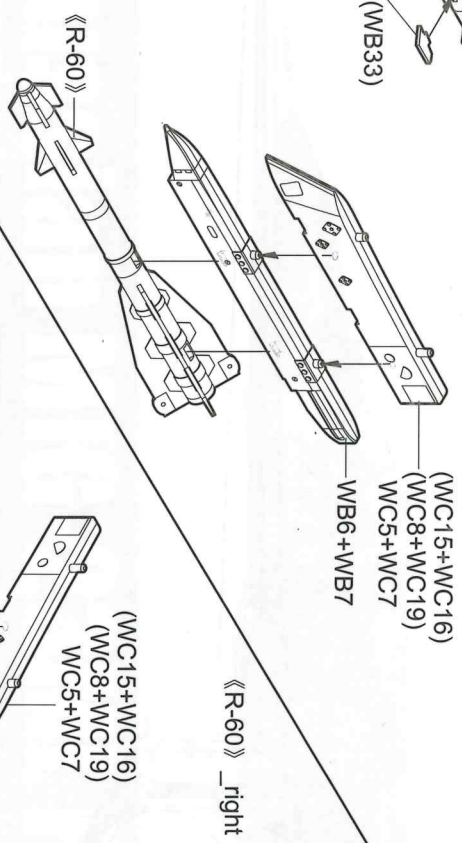
38 《PTB-800》



36 (WC15+WC16)  
(WC8+WC19)  
WC5+WC7

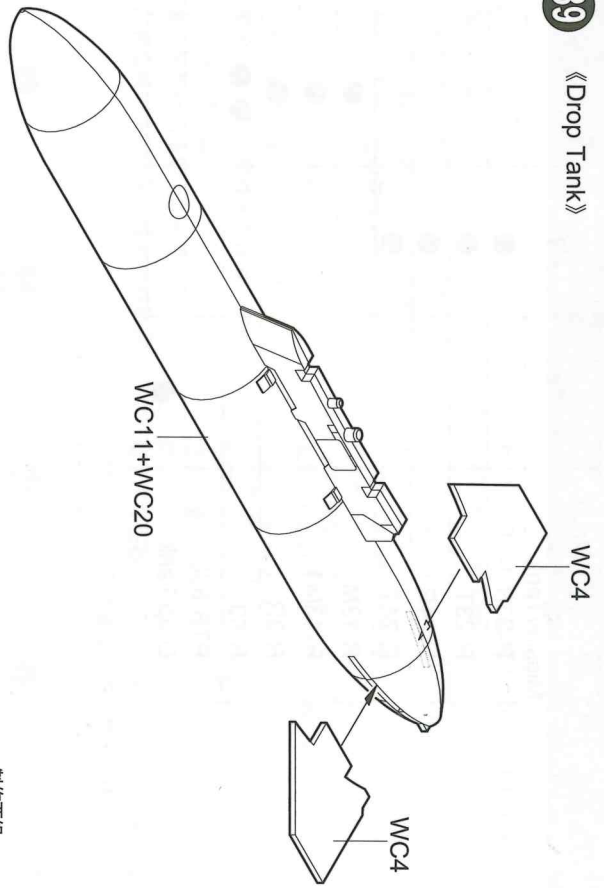


37 WC18+WC10  
(WC15+WC16)  
(WC8+WC19)  
WC5+WC7

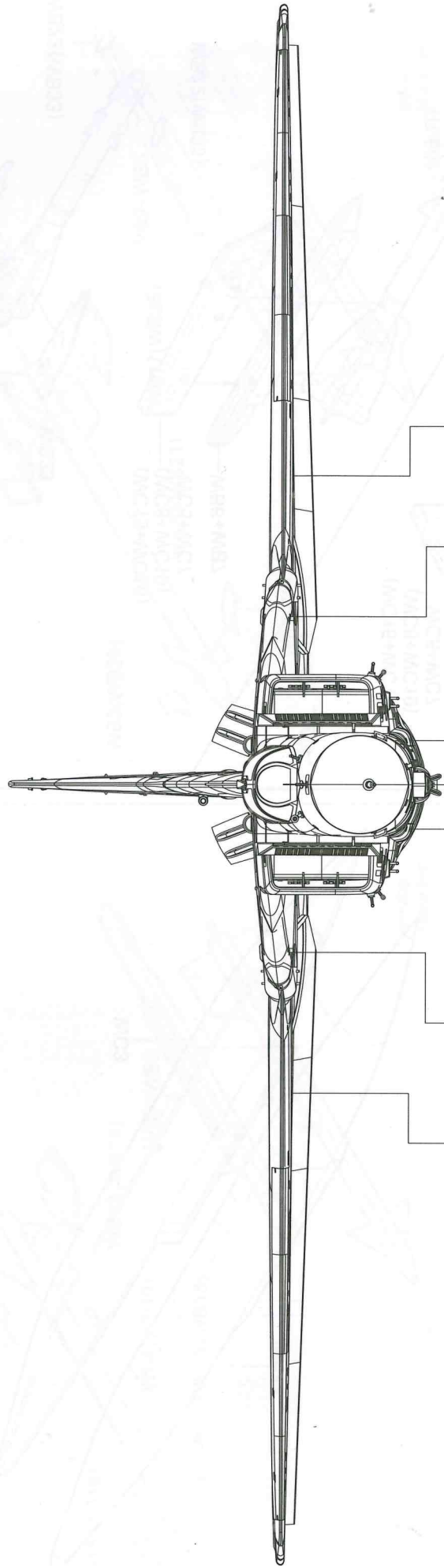


《R-60》\_Left

39 《Drop Tank》



制作两组  
Make two



Sta. No.	1	2	3	4	5	6	7
Missile/Tank							
R-23R		●				●	
R-23T		●				●	
R-24R		●				●	
R-24T		●				●	
R-13M			●		●		
R-13M1			●		●		
R-3R			●		●		
R-60			●		●		
PTB-800				●			
Drop Tank	●						●



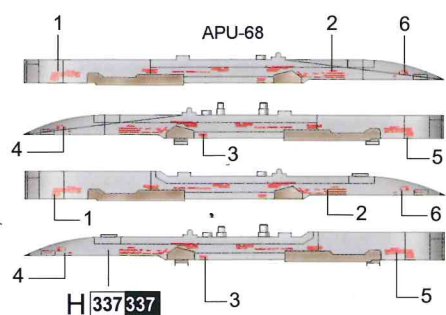
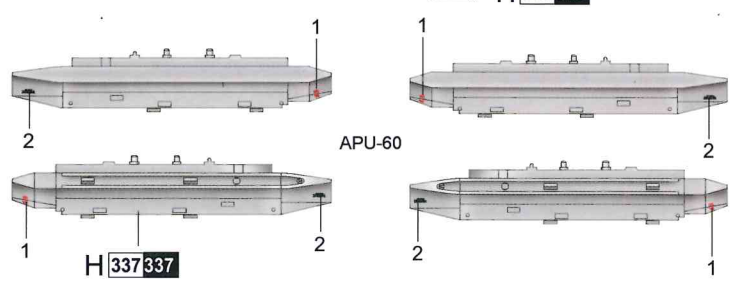
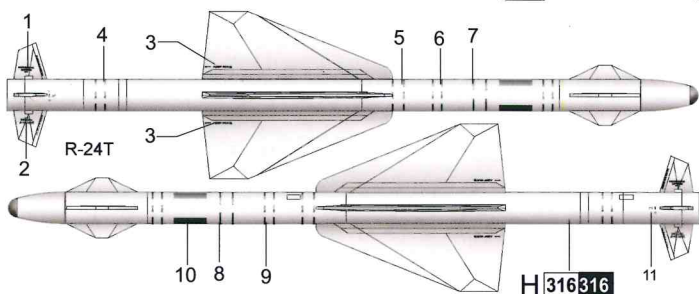
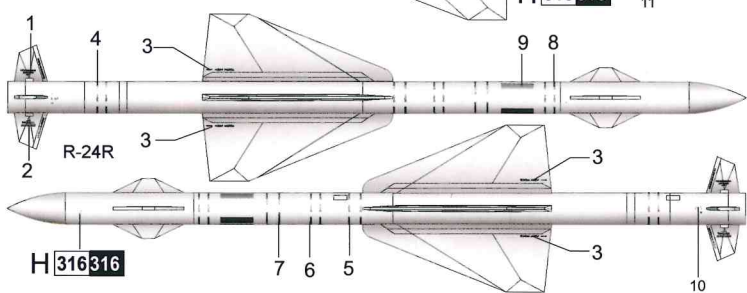
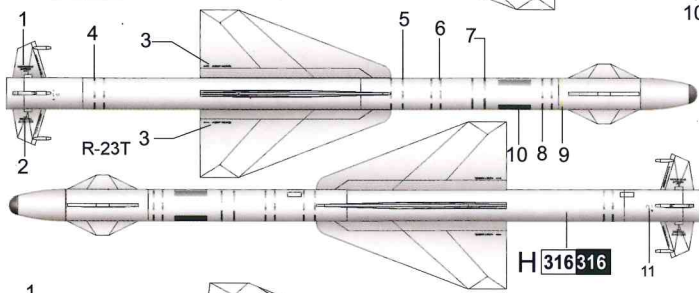
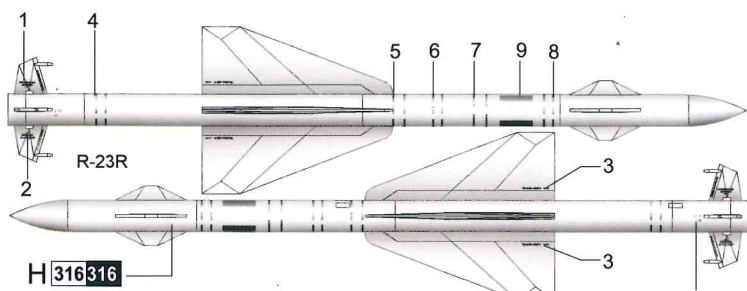
# 涂装同标贴指示 Painting & Marking guide

PAINT REFERENCE COLOUR

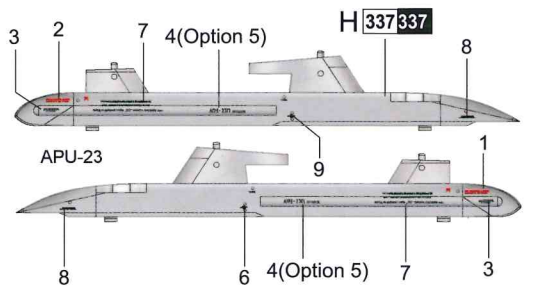
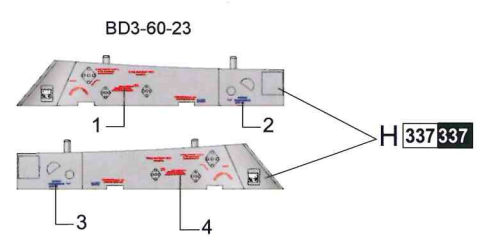
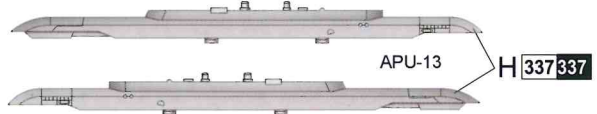
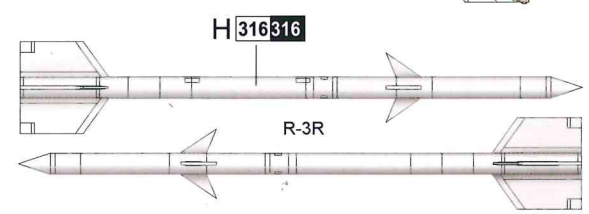
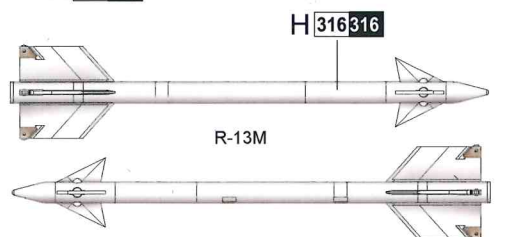
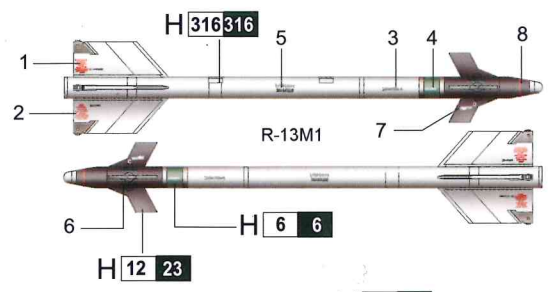
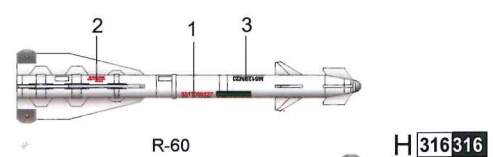
Color	Mr.Hobby	Vallejo	Model Master	Tamiya	Humbrol
White 白色	H[1 1]	842	1745	XF2	22
Burnt Iron 赭铁色	H[76 61]	863	1795	XF10	53
Flat black 消光黑	H[12 33]	950	1749	XF1	33

PAINT REFERENCE COLOUR

Color	Mr.Hobby	Vallejo	Model Master	Tamiya	Humbrol
Green 绿色	H[6 6]	969	2716	X5	3
White 白色	H[316 316]	991	1745	X2	22
Gray Blue 海蓝色	H[337 337]	—	1721	XF20	145



②  
选择  
Option



H [X] AQVEOUS HOBBY COLOUR

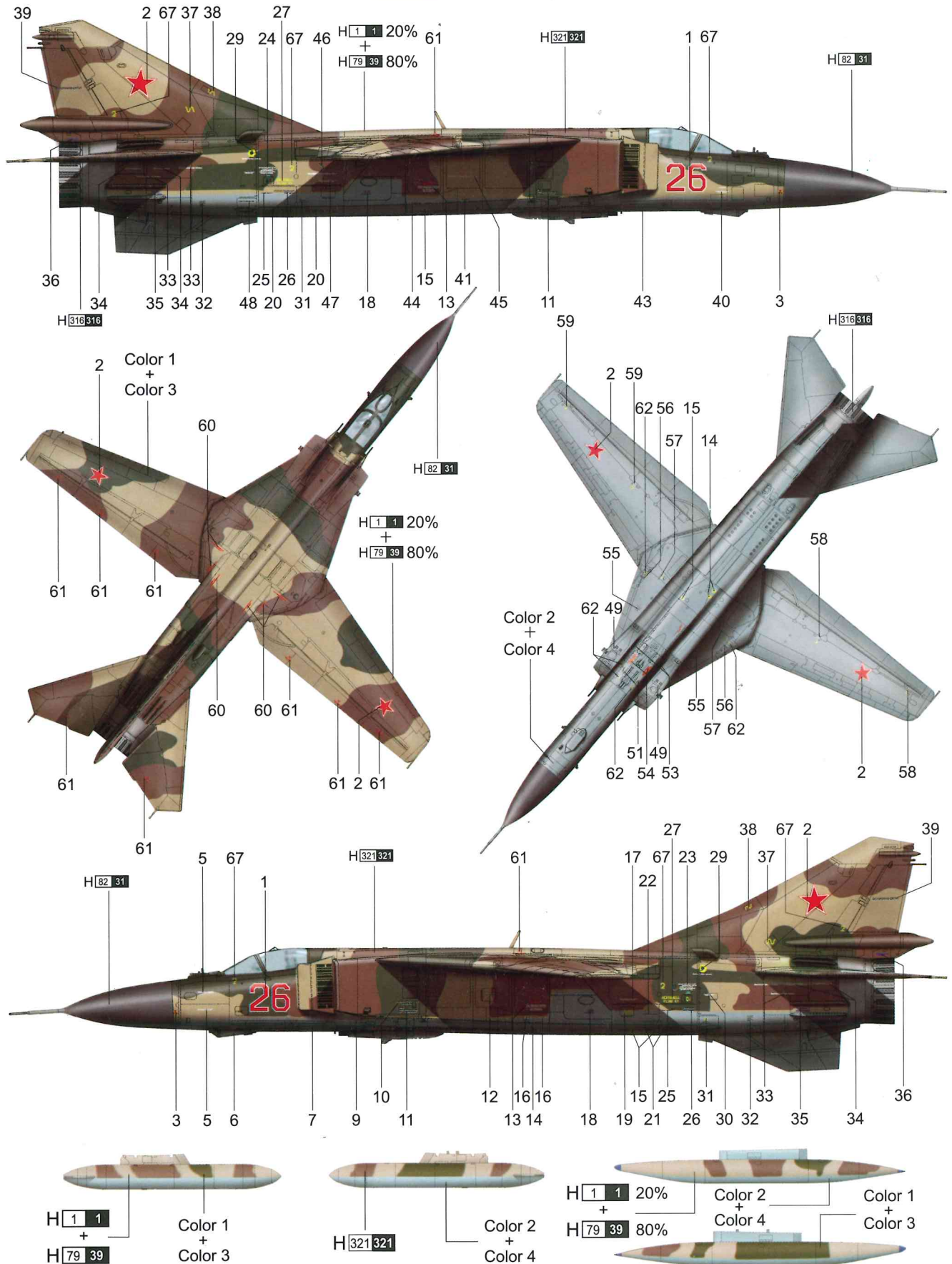
X MR.COLOUR

# 涂装同标贴指示 Painting & Marking guide

**A**

PAINT REFERENCE COLOUR					
Color	Mr.Hobby	Vallejo	Model Master	Tamiya	Humbrol
1 绿色 Matt Cockpit Green	-	-	1716	-	78
2 浅蓝色 Light Blue	-	901	1562	-	89
3 绿色 Interior Green	H[58 27]	-	1715	-	151
4 灰色 Light Grey	H[338 338]	-	1732	-	147
5 棕褐色 Grey Light Brown	H[321 321]	929	-	-	-

PAINT REFERENCE COLOUR					
Color	Mr.Hobby	Vallejo	Model Master	Tamiya	Humbrol
6 浅海灰 Dark Gray	H[82 31]	836	2727	X53	156
7 烧铁色 Burnt Iron	H[316 316]	863	1795	X10	53
8 砂岩色 Sandy Brown	H[12 33]	824	-	XF59	93
9 胎黑色 Tire black	H[18 28]	897	-	XF11	-
10 白色 White	H[77 137]	842	1745	X2	22



H □ AQUEOUS HOBBY COLOR    ■ Mr. COLOR

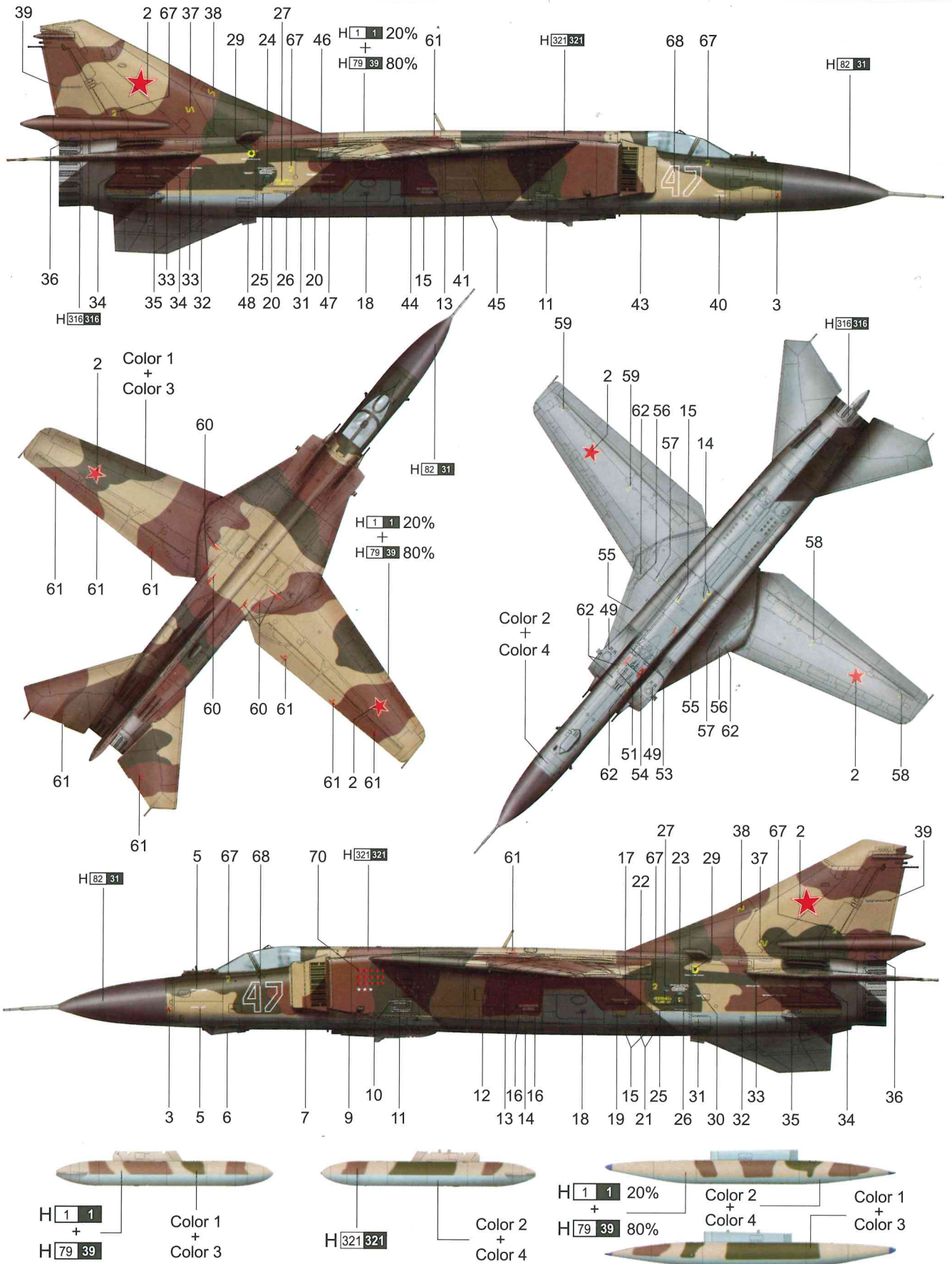


# 涂装同标贴指示 Painting & Marking guide

**B**

PAINT REFERENCE COLOUR					
Color	Mr.Hobby	Vallejo	Model Master	Tamiya	Humbrol
1 绿色 Matt Cockpit Green	-	-	1716	-	78
2 浅蓝色 Light Blue	-	901	1562	-	89
3 绿色 Interior Green	H 58 27	-	1715	-	151
4 灰色 Light Grey	H 338 338	-	1732	-	147
5 棕褐色 Grey Light Brown	H 321 321	929	-	-	-

PAINT REFERENCE COLOUR					
Color	Mr.Hobby	Vallejo	Model Master	Tamiya	Humbrol
6 浅海灰 Dark Gray	H 82 31	836	2727	X53	156
7 熔铁色 Burnt Iron	H 316 316	863	1795	X10	53
8 砂黄色 Sandy Brown	H 12 33	824	-	XF59	93
9 胎黑色 Tire Black	H 18 28	897	-	XF11	-
10 白色 White	H 77 137	842	1745	X2	22



□ AQUEOUS HOBBY COLOR ■ Mr. COLOR