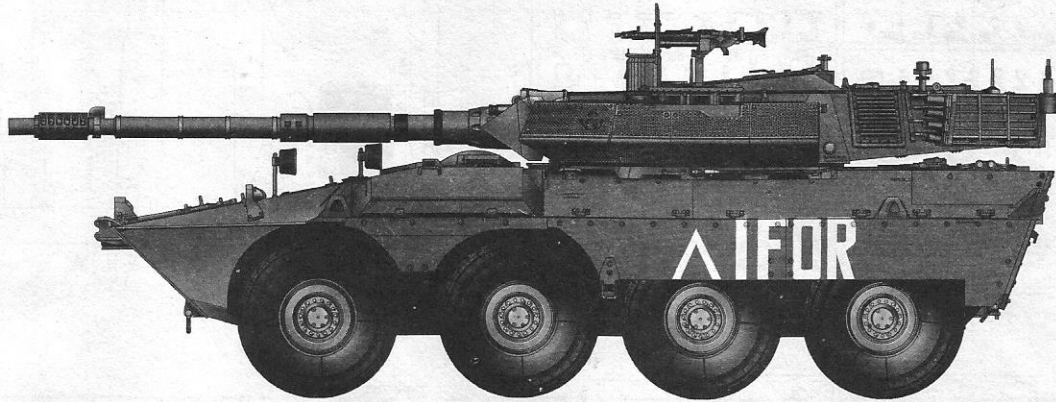


# B1 Centauro AFV

## Early Version (2<sup>nd</sup> Series) with Upgrade Armour

意大利B1“半人马座”坦克歼击车早期型(2批次)带附加装甲



### READ BEFORE ASSEMBLY:

- Study and understand these instructions thoroughly before beginning assembly
- When needed, remove photo-etch parts carefully using a modeling knife or photo etch sprue cutter, being careful not to damage or lose small parts.
- Take extra care in handling photo etch parts in order to avoid injury
- Apply instant cement sparingly to photo etch parts where instructed
- Tools recommended(not included in kit):Plastic and instant cements,sprue cutters,long nose pliers,,modeling knife, small files, tweezers, pin vise & scissors. Soft cloth and sandpaper will also assist in construction
- Glue and paint are not included in the kit. Use plastic cement and hobby paints only. Color guide for purchasing paint is included in the kit.

### 装配之前仔细阅读

- 小心用模型锉刀锉平所有零件表面的注射浇口。
- 小心用刀片切下蚀刻片零件，不要遗失小零件。
- 用强力快干胶水粘合蚀刻片零件和金属轴。过量的快干胶水使用可能导致可动零件会粘住，小心涂胶。
- 取蚀刻片时应特别注意安全，防止利边划伤手指。
- 某些零件表面需贴水上贴纸，请选择在装配的同时进行。
- 推荐模型工具(自备)：胶水，水口剪刀，长咀钳，刀片，锉刀，镊子，钳，钻，剪刀，瞬间快干胶。
- 软布同砂纸同时也应该是必备工具。
- 请使用塑料胶水和油漆，模型内不含。



cyanoacrylate glue  
使用强力胶



weight  
配重



make hole  
钻孔



cut / remove  
切除



bend  
弯曲



file / sand  
锉平



option  
选择



no cement  
不涂胶水



decal  
贴纸

### 水贴纸的使用:

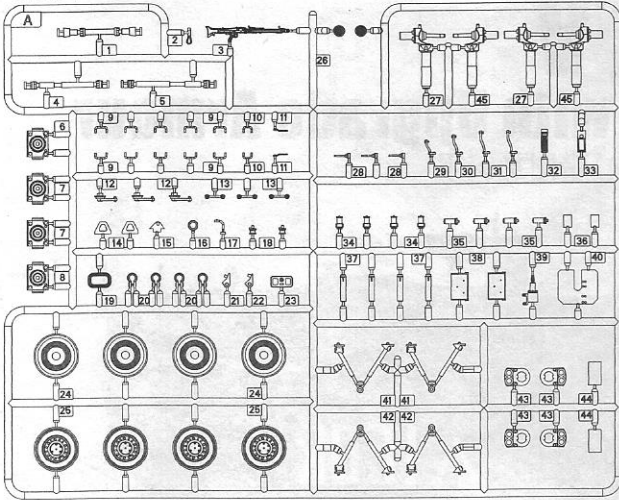
1. 从水贴上剪下印花;
2. 将印花放入温水中浸10秒，然后放在干净布上。
3. 拿着印花纸板将印花移到模型上;
4. 手指蘸水将印花移到适当的位置;
5. 用软布轻压印花直至水干，气泡消失。

### DECAL APPLICATION:

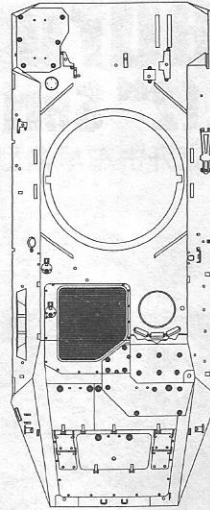
1. Cut decals from sheet as needed
2. Dip the decal in warm water for about 10 seconds and then place on soft clean cloth.
3. Hold the decal backing sheet edge and gently slide the decal onto the model in its proper position.
4. While still wet, decal can be adjusted for better fit on model by dampening it gently with your finger.
5. When placed in the proper position, gently press decal down with a soft cloth until excess water and air bubbles are gone.
6. Allow decal to dry completely before handling model

部品图  
Parts

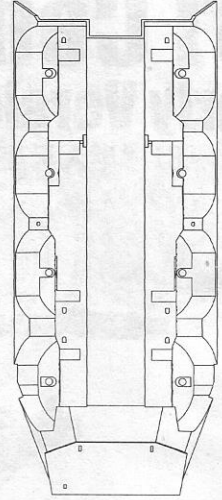
AX2



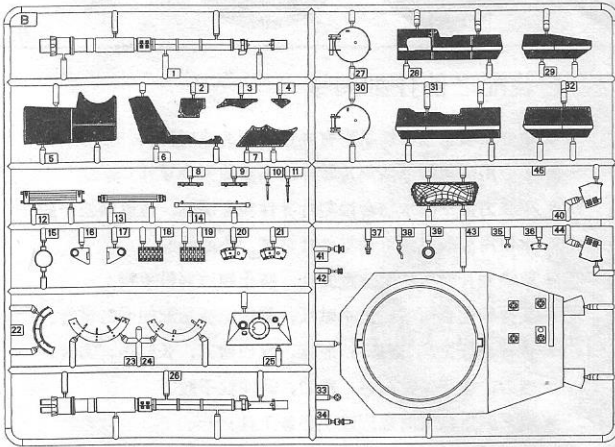
《车面》  
Upper hull



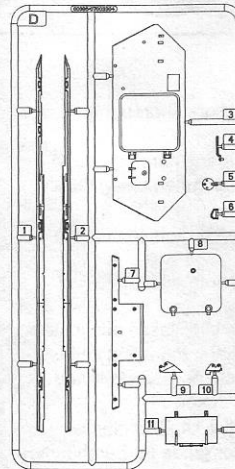
《车底》  
Lower hull



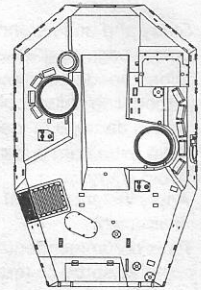
B



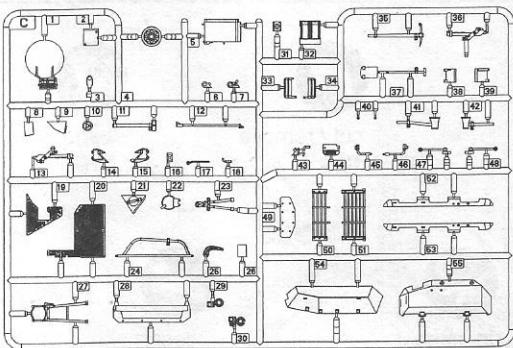
D



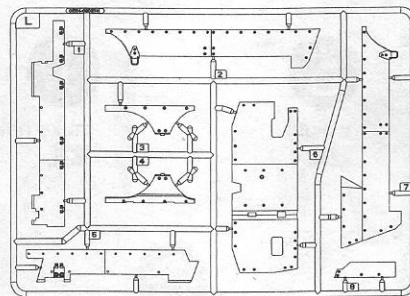
《炮塔》  
Turret



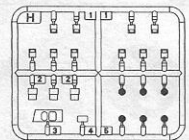
C



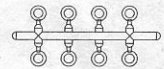
L



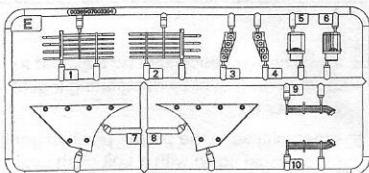
H



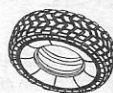
《聚乙烯套》  
Poly cap



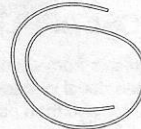
E



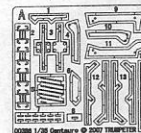
《轮胎》X8  
TyreX8



《铜缆》 Cable  
Ø0.8X150



《蚀刻片》  
Photo etchedpart(PE)

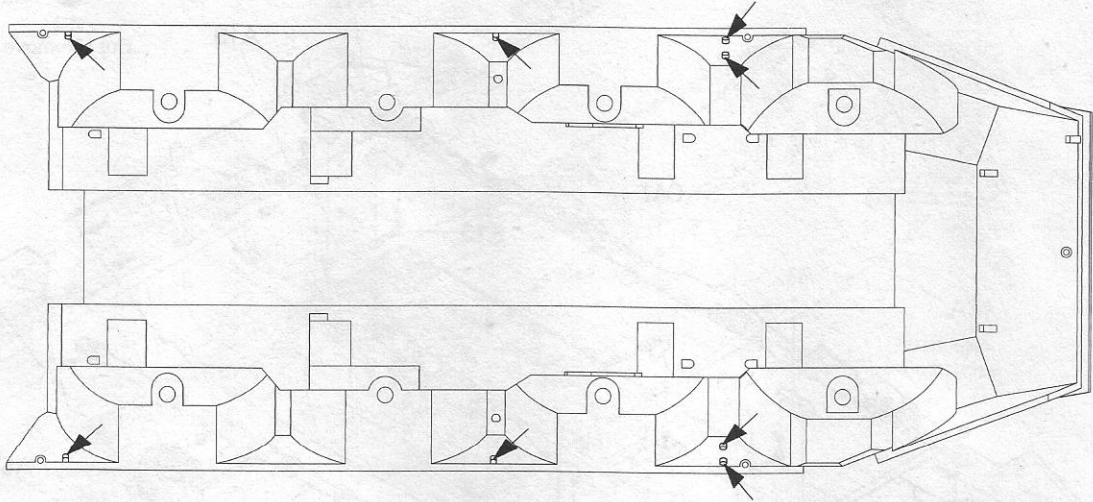


《水贴纸》  
Decal

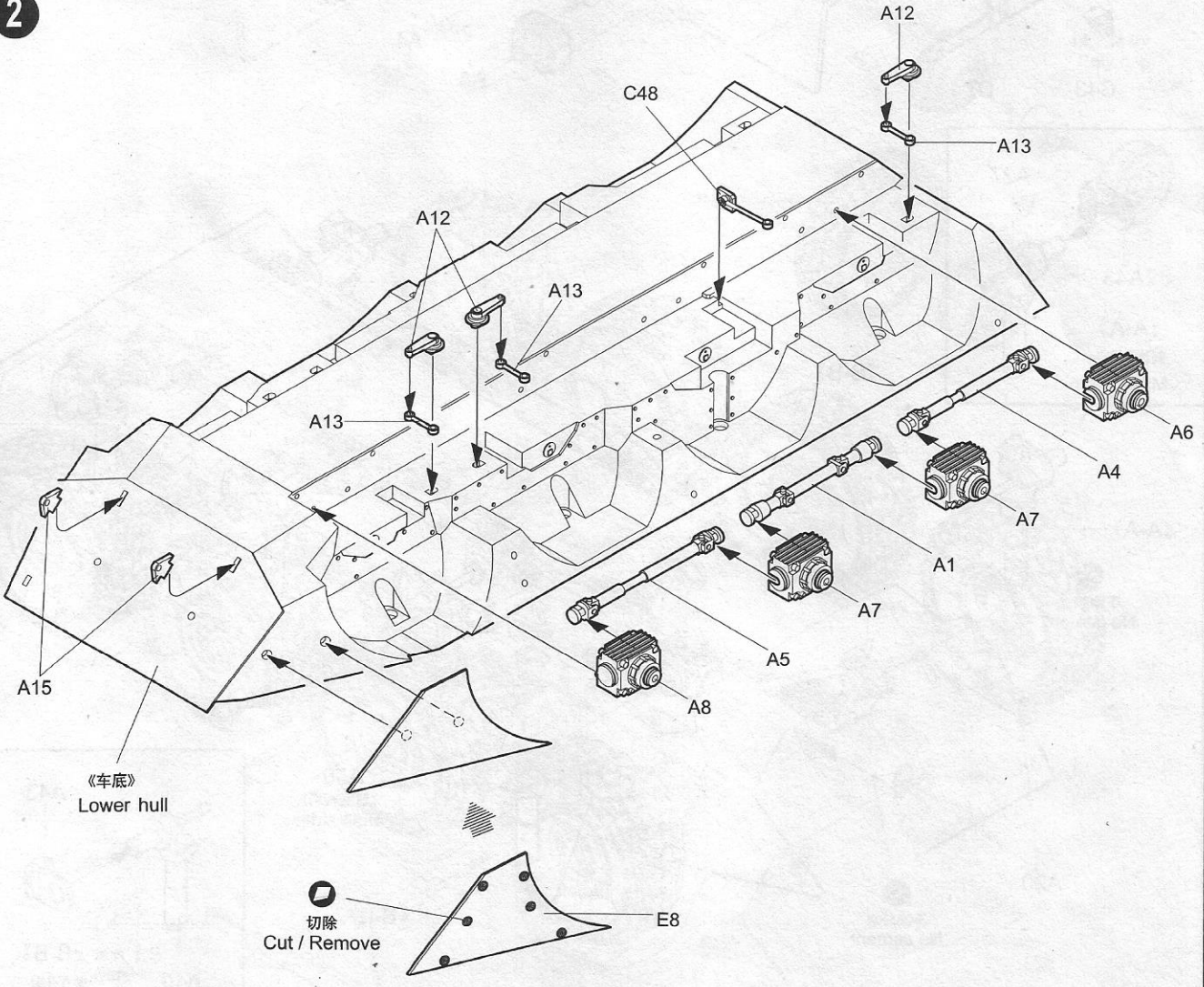


不用部品: A34.A37.A38.A44.B20.B21.B23.B24.C4.C8.C11.C13.C23.C24.C32.D1.D2.D5.D6.D11  
Unused parts

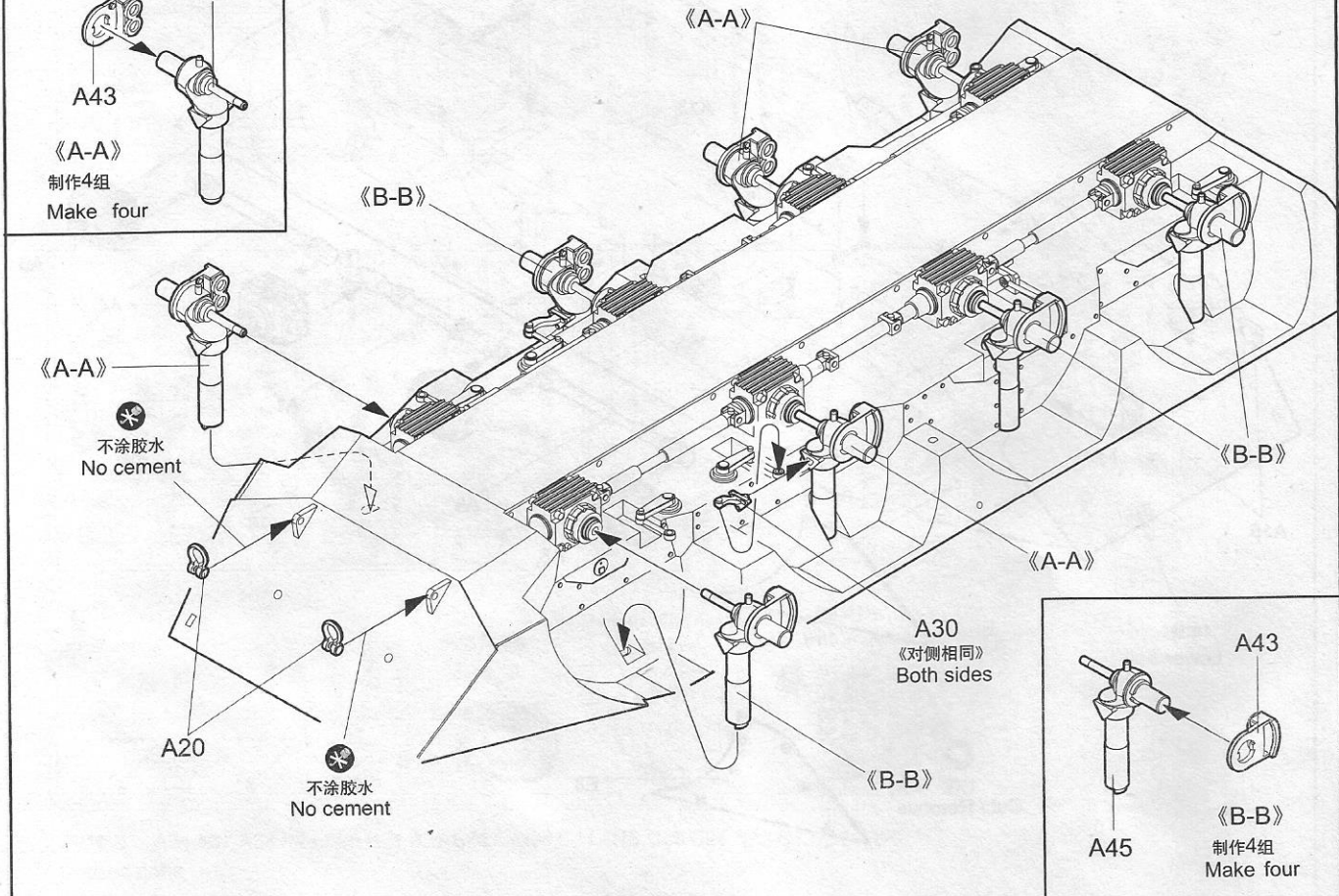
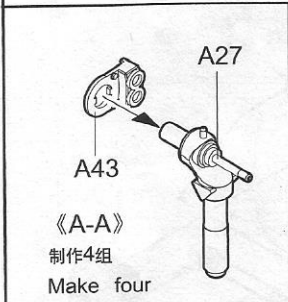
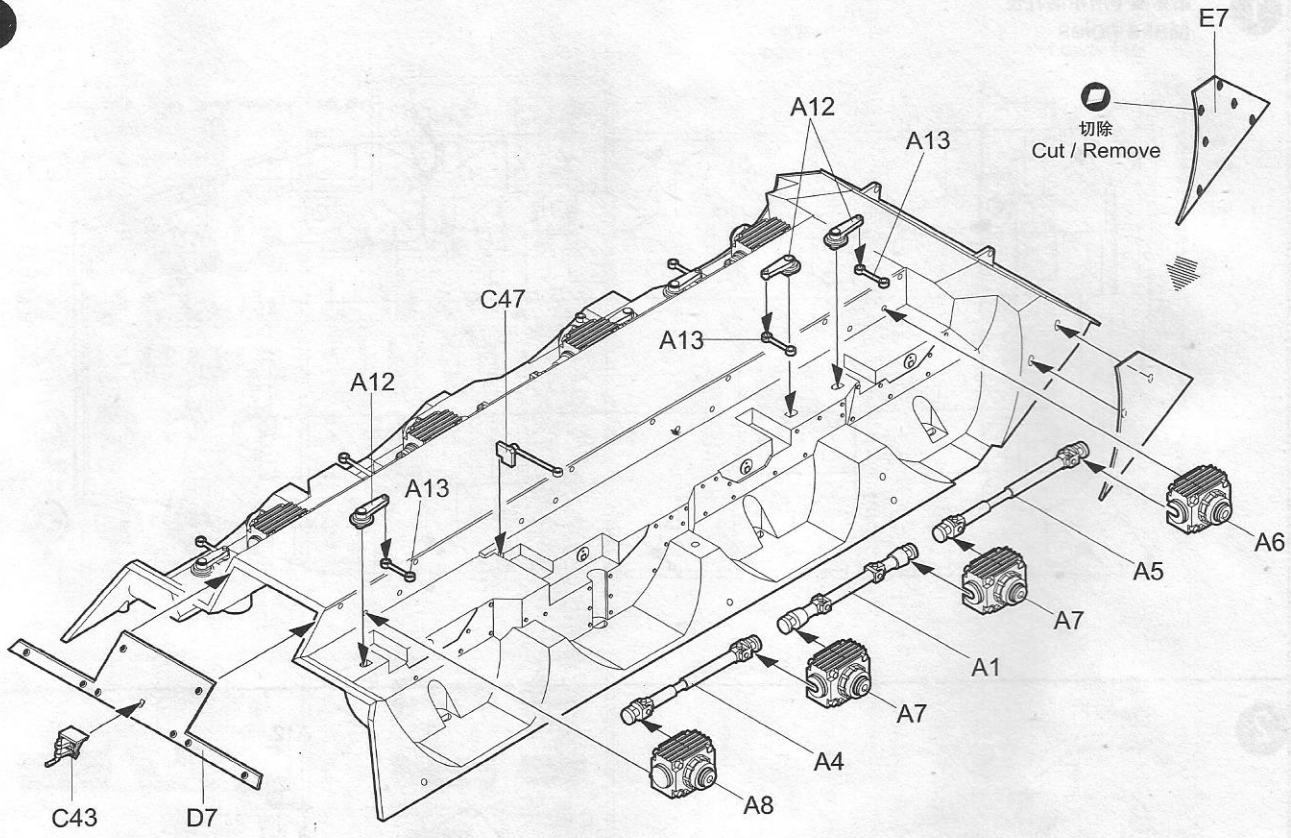
**1** 钻穿图中所示的孔位  
Make holes



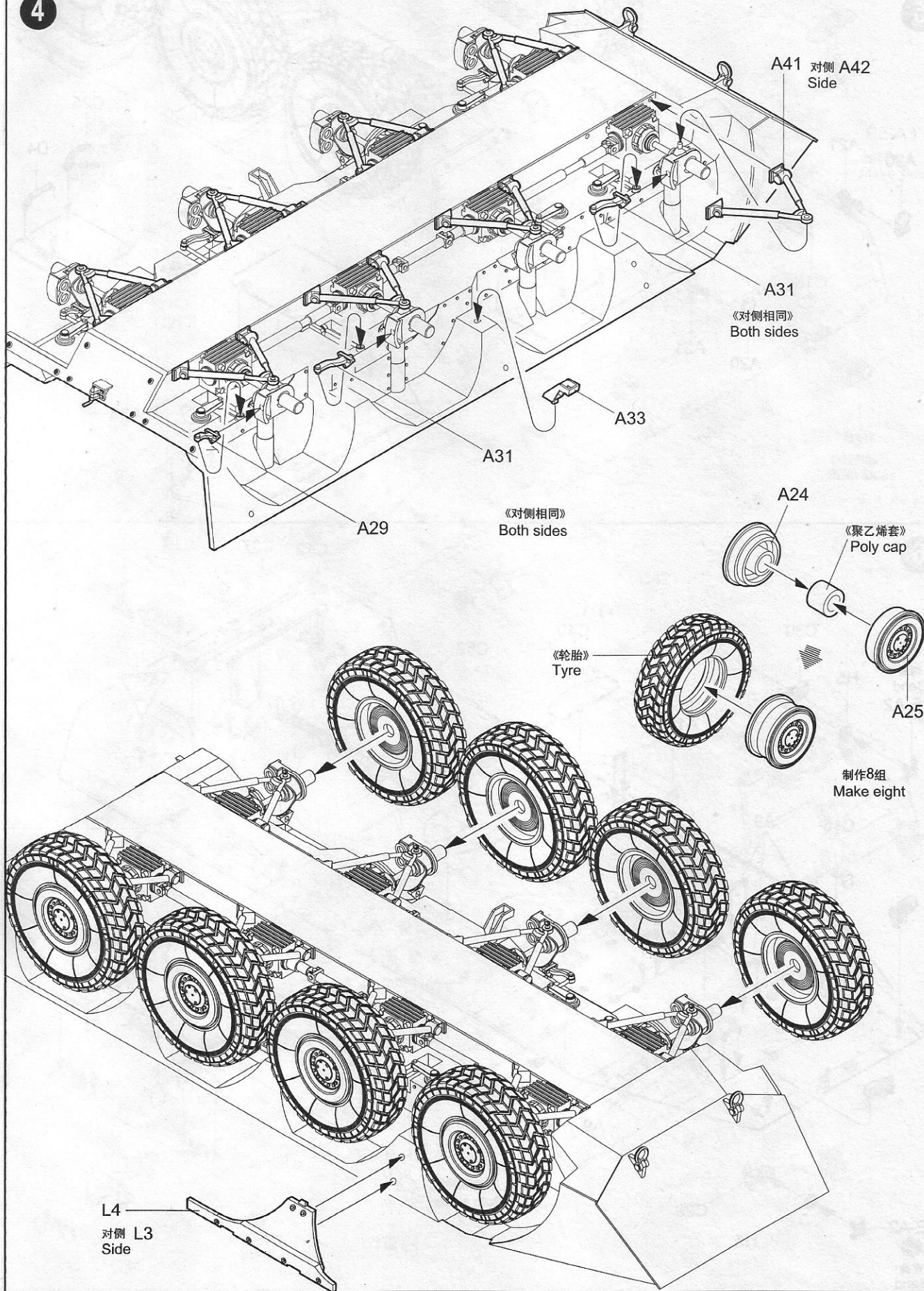
**2**



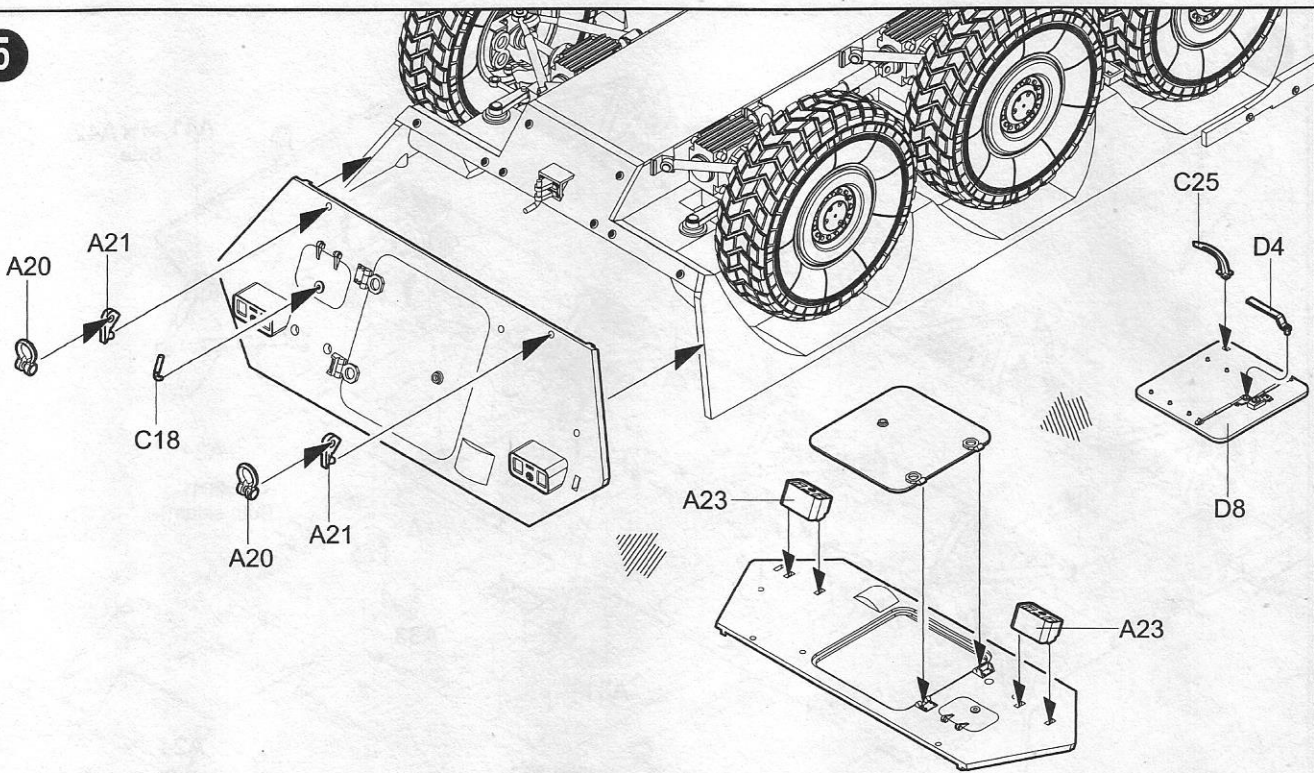
3



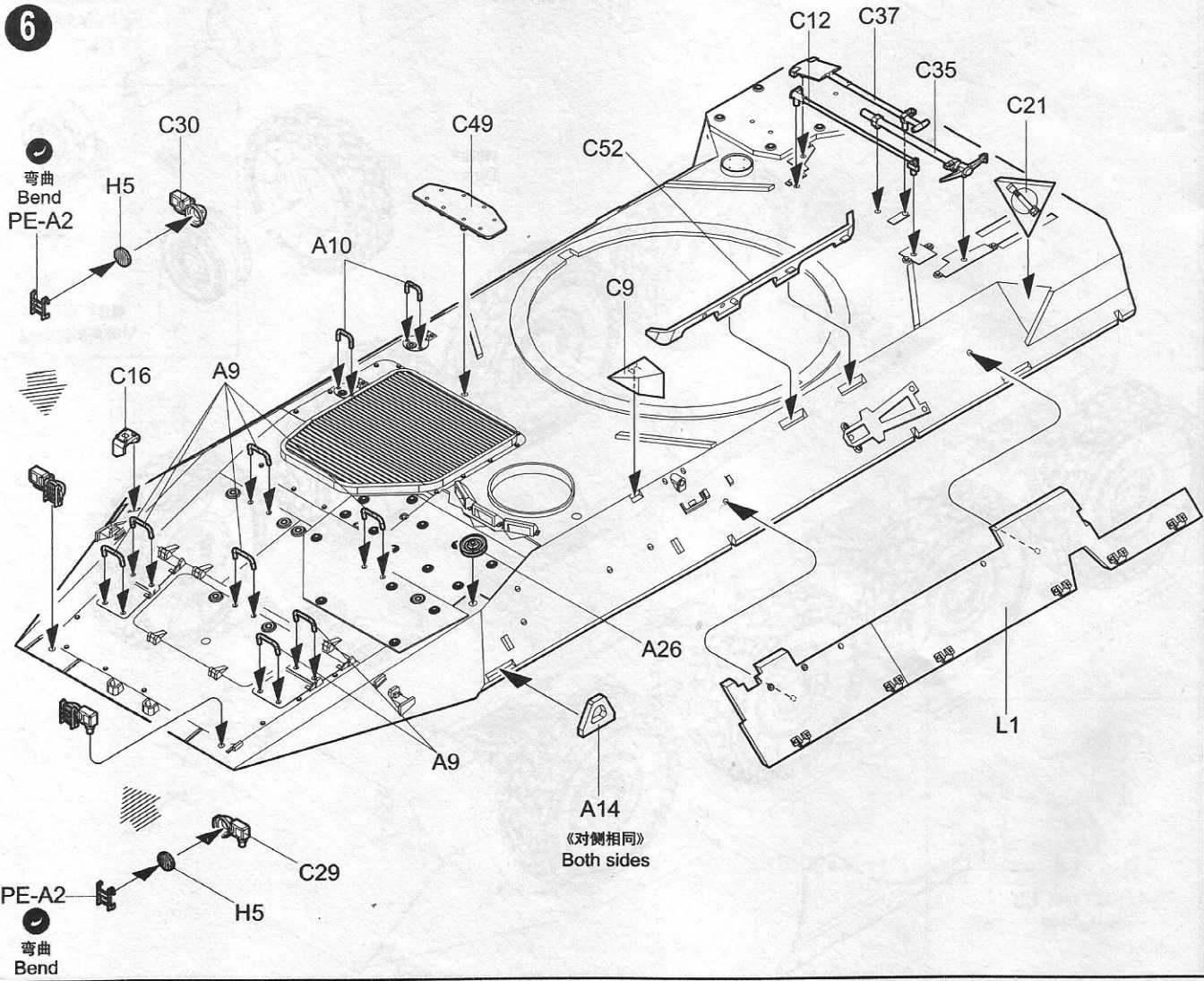
4



5

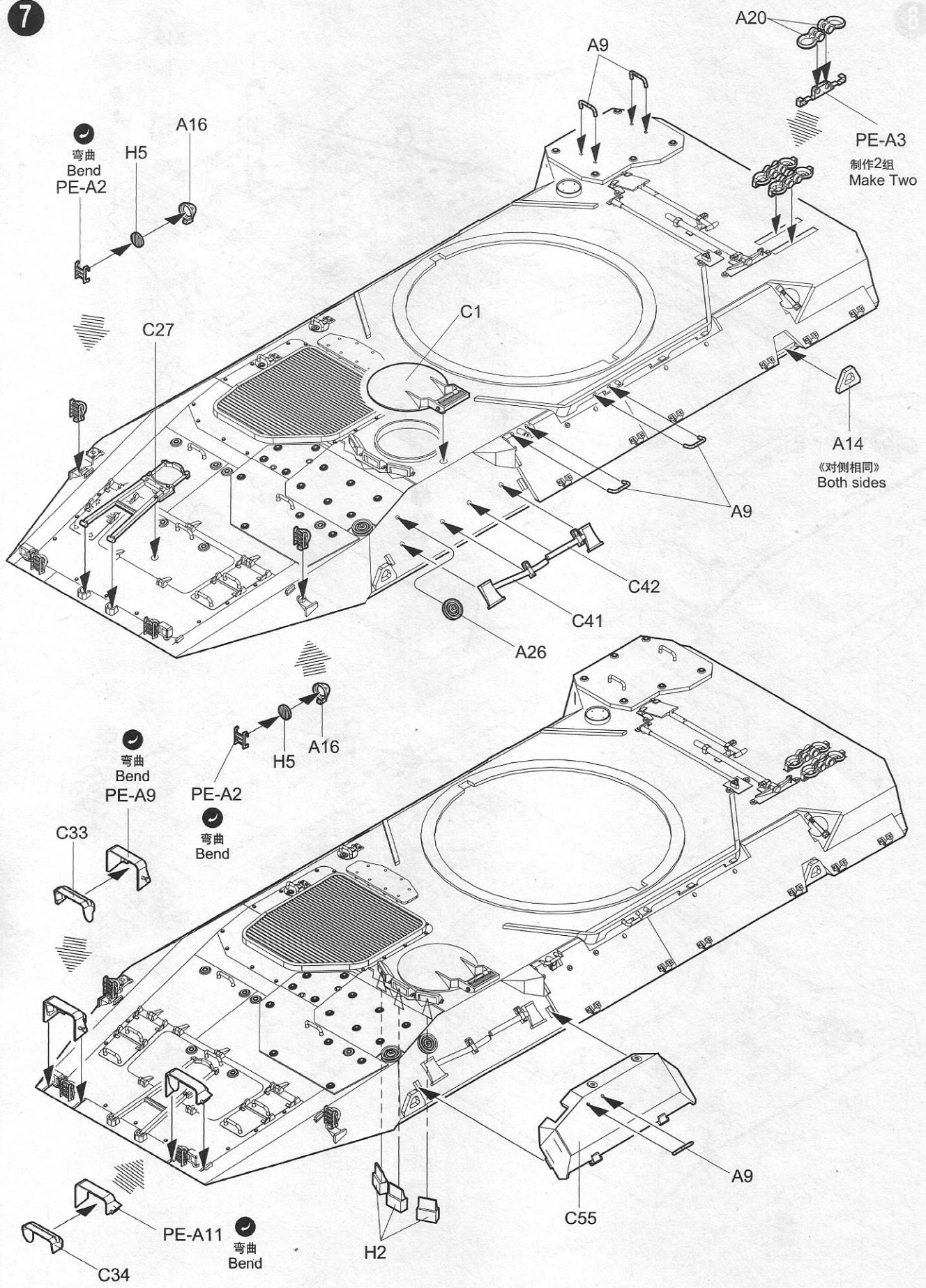


6

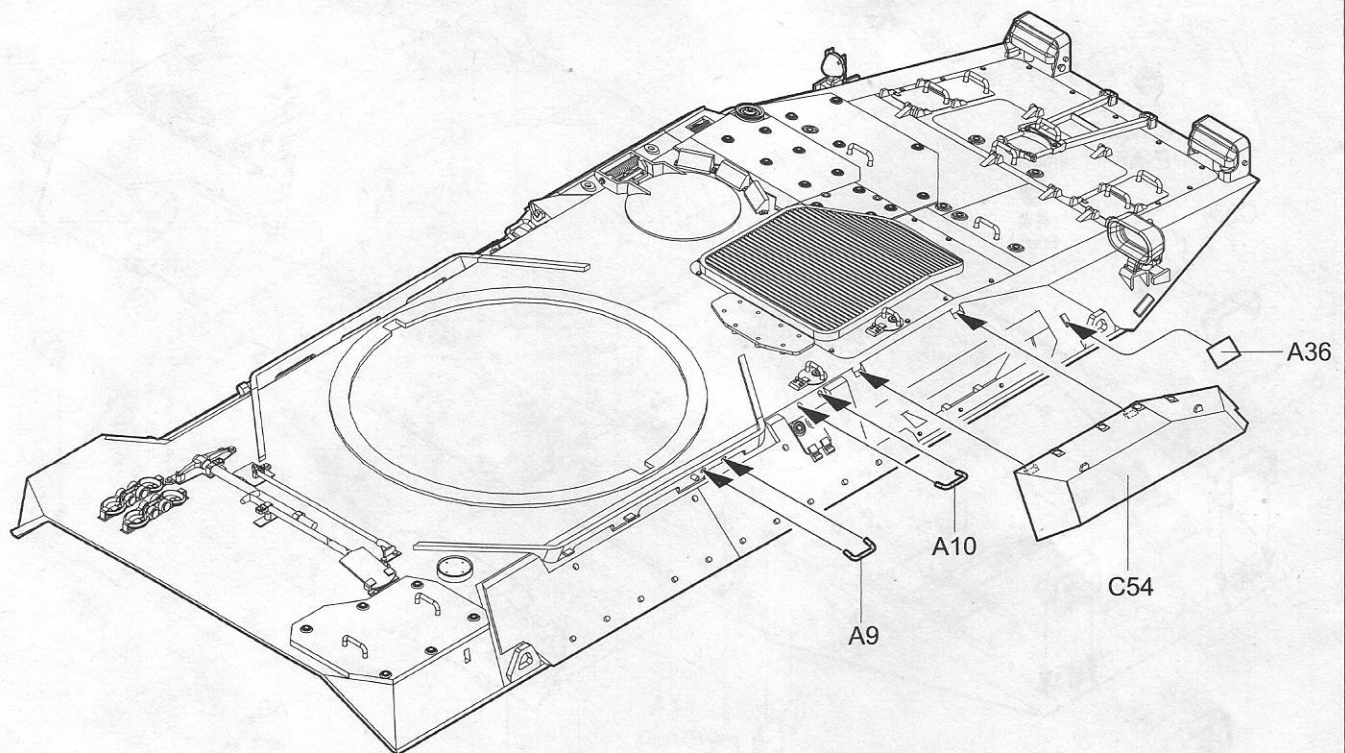
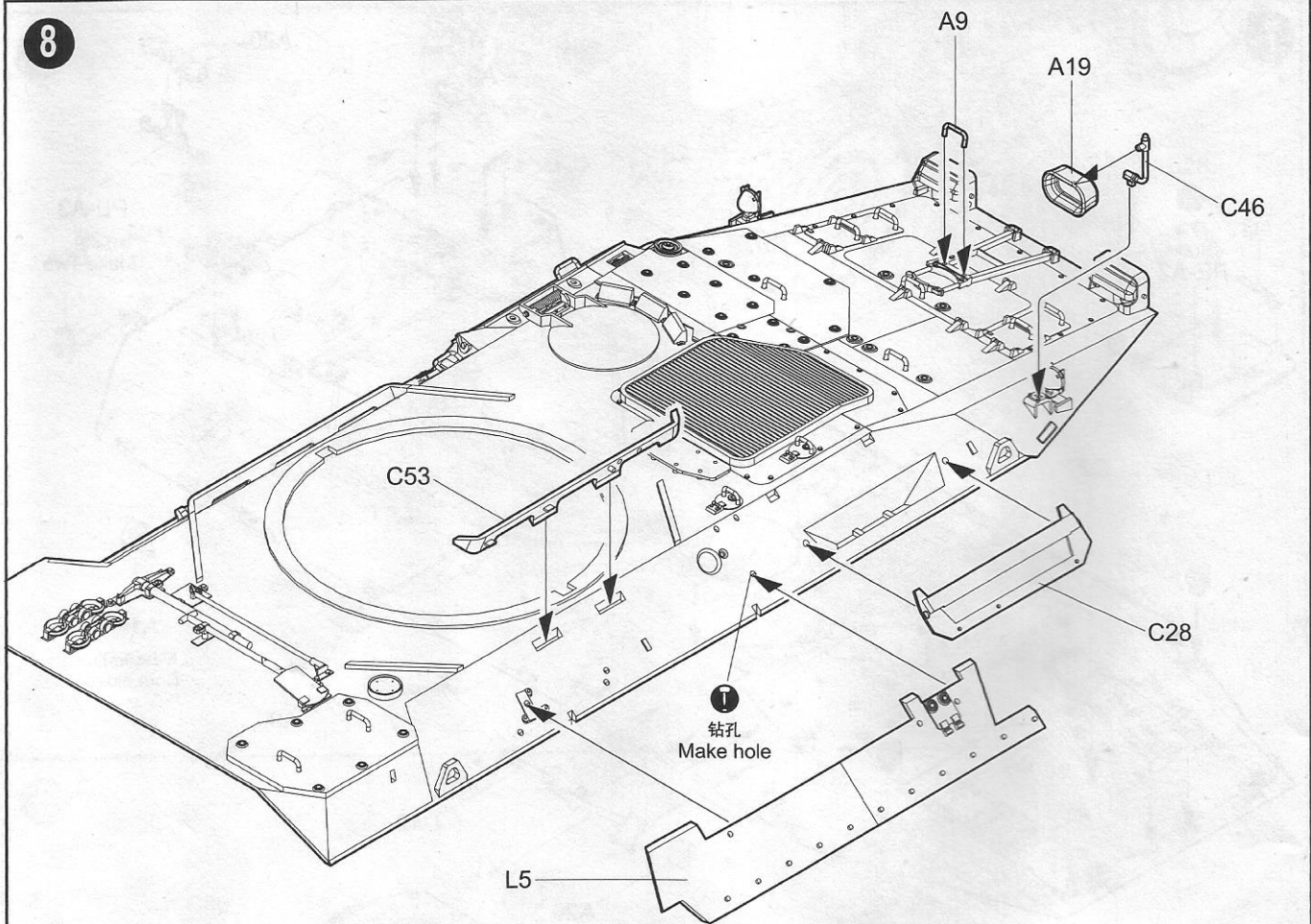


7

8

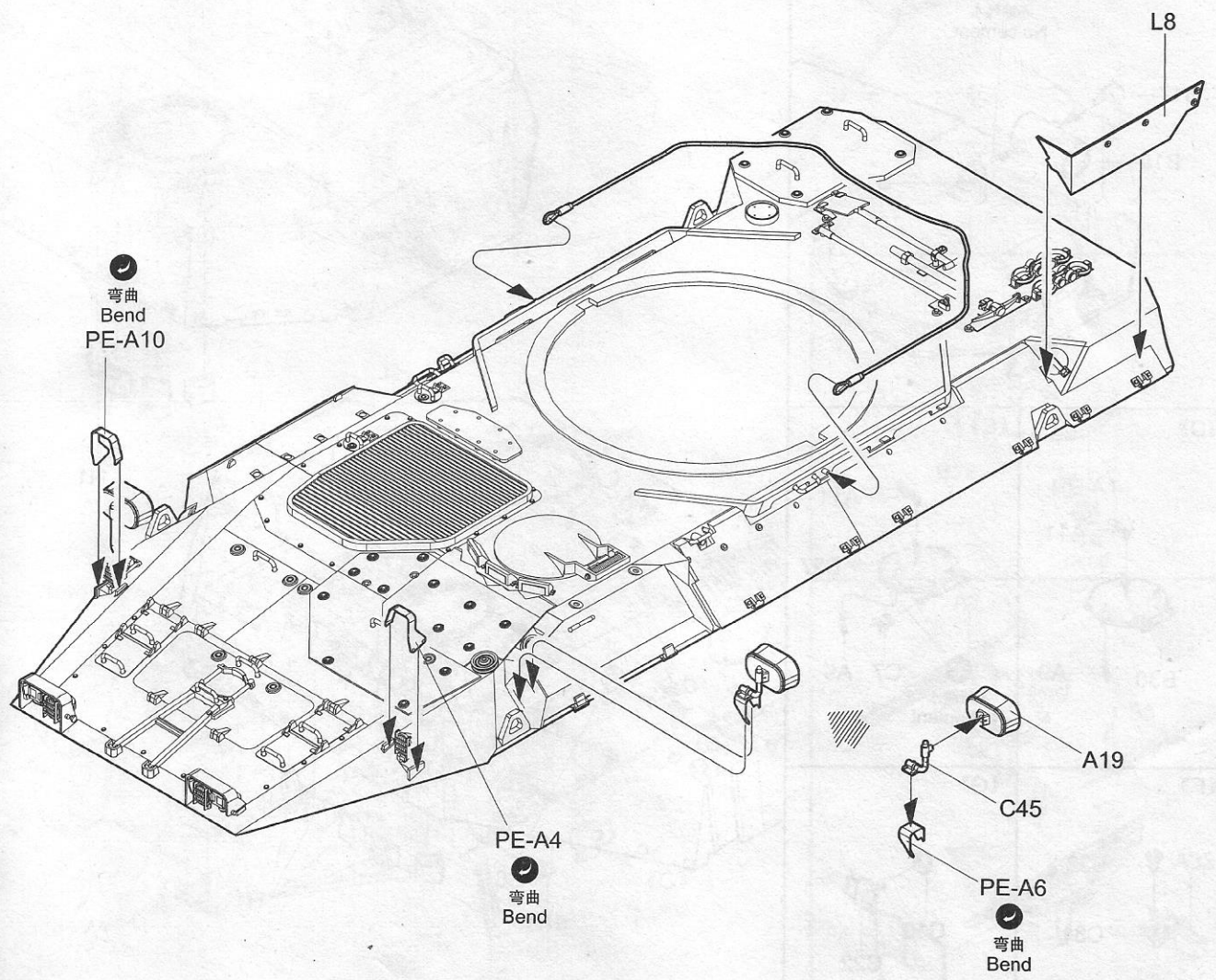
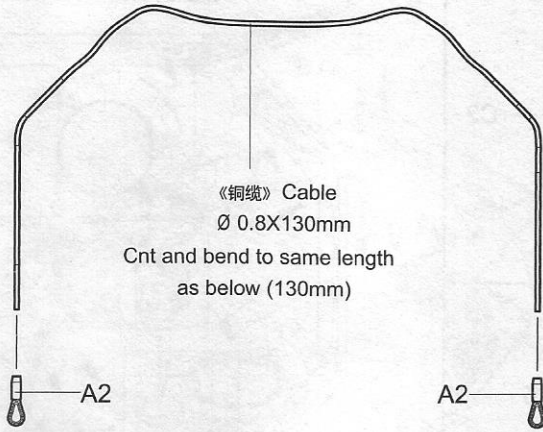


8



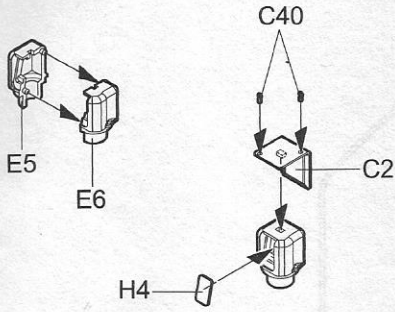
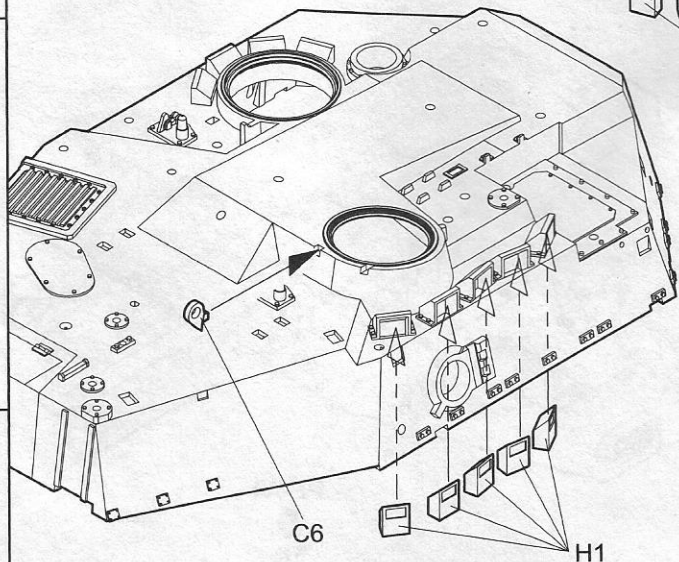
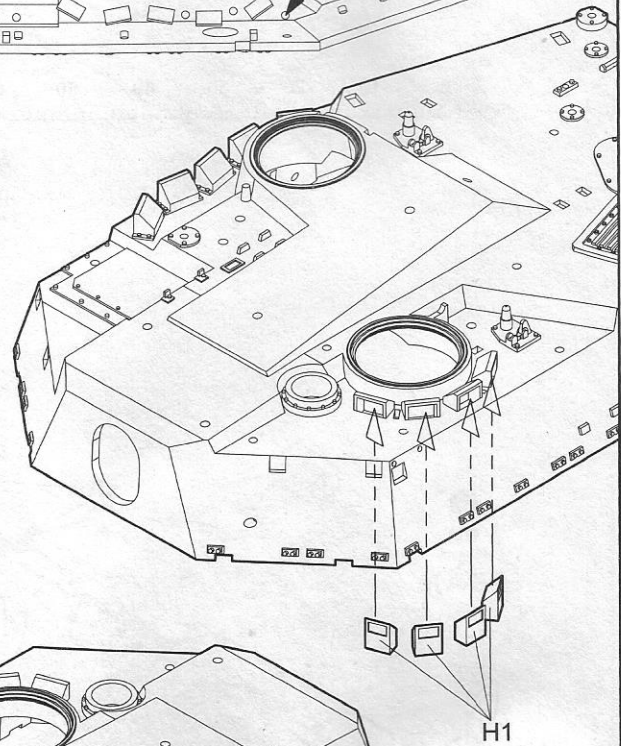
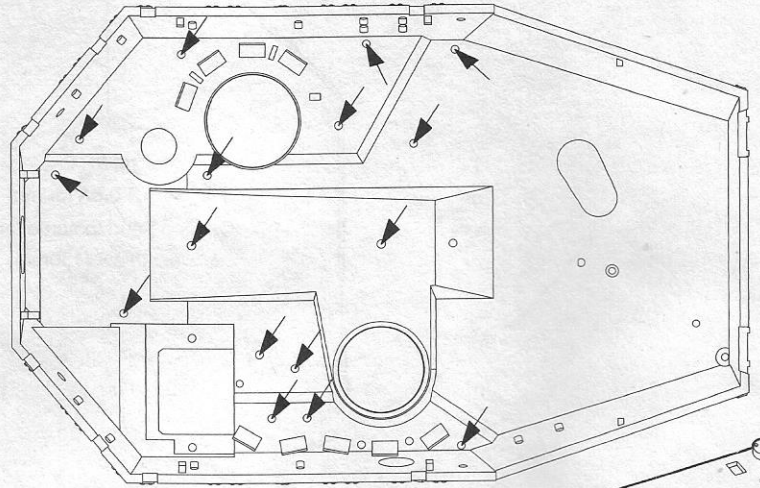


9

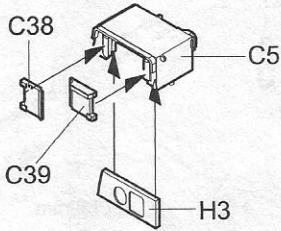


10

钻穿图中所示的孔位  
Make holes

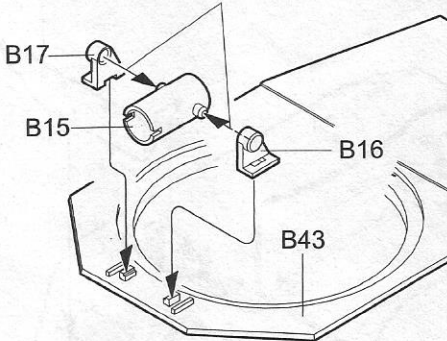


《B》

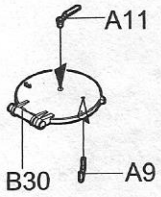


《C》

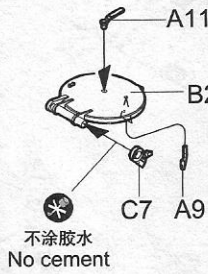
不涂胶水  
No cement



《D》

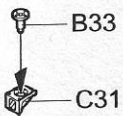


《E》

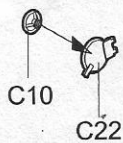


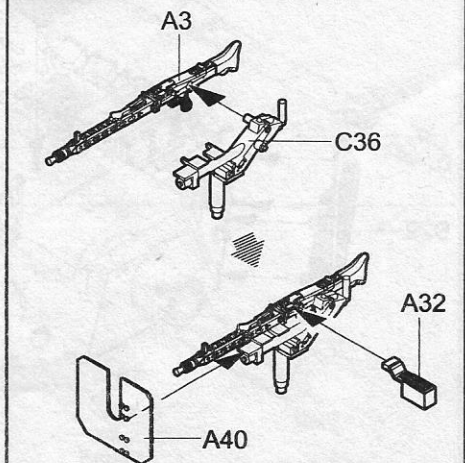
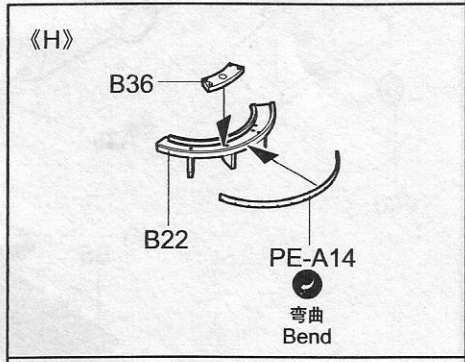
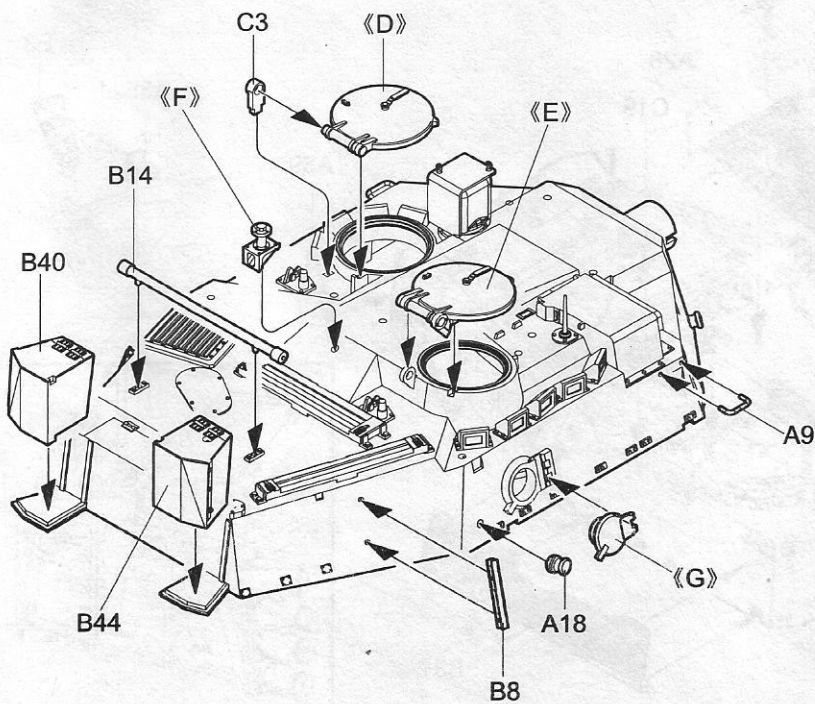
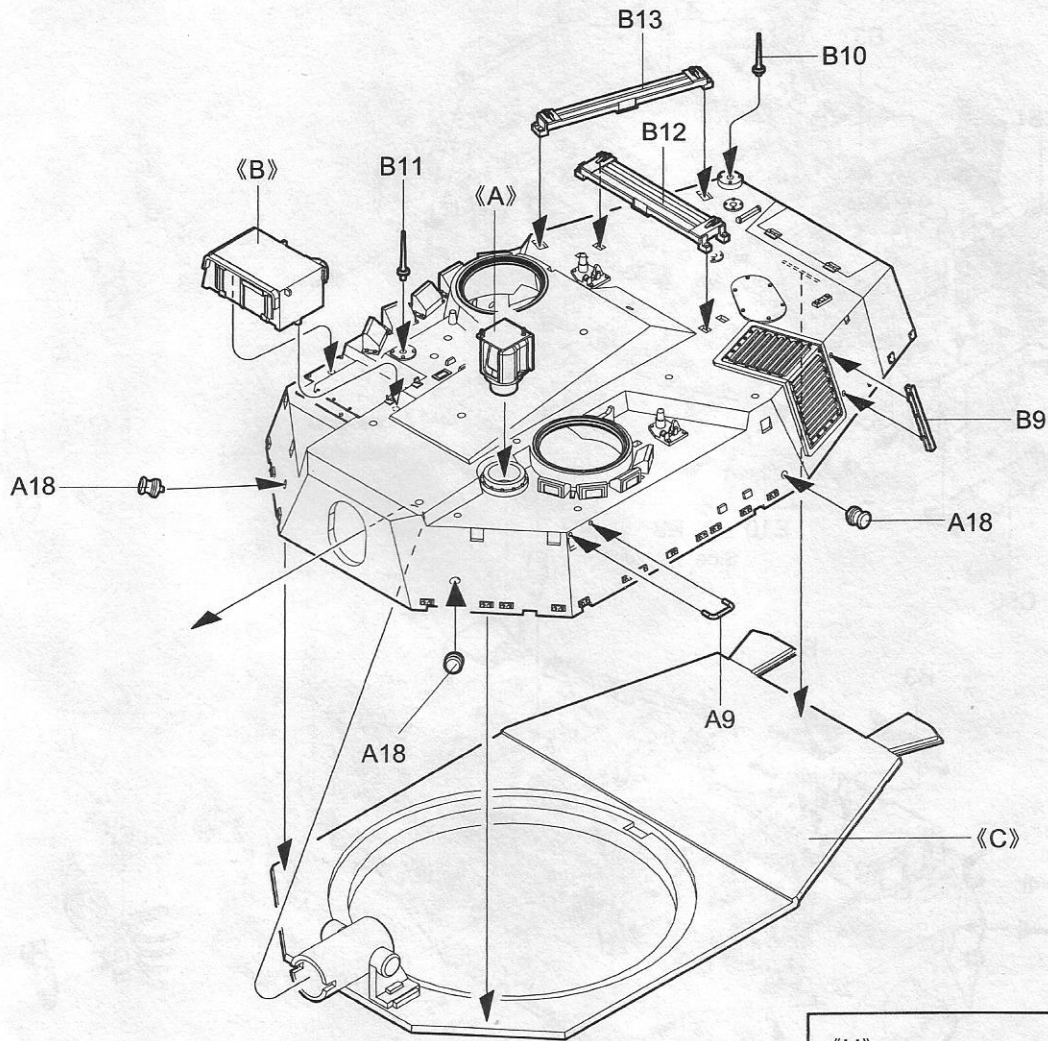
不涂胶水  
No cement

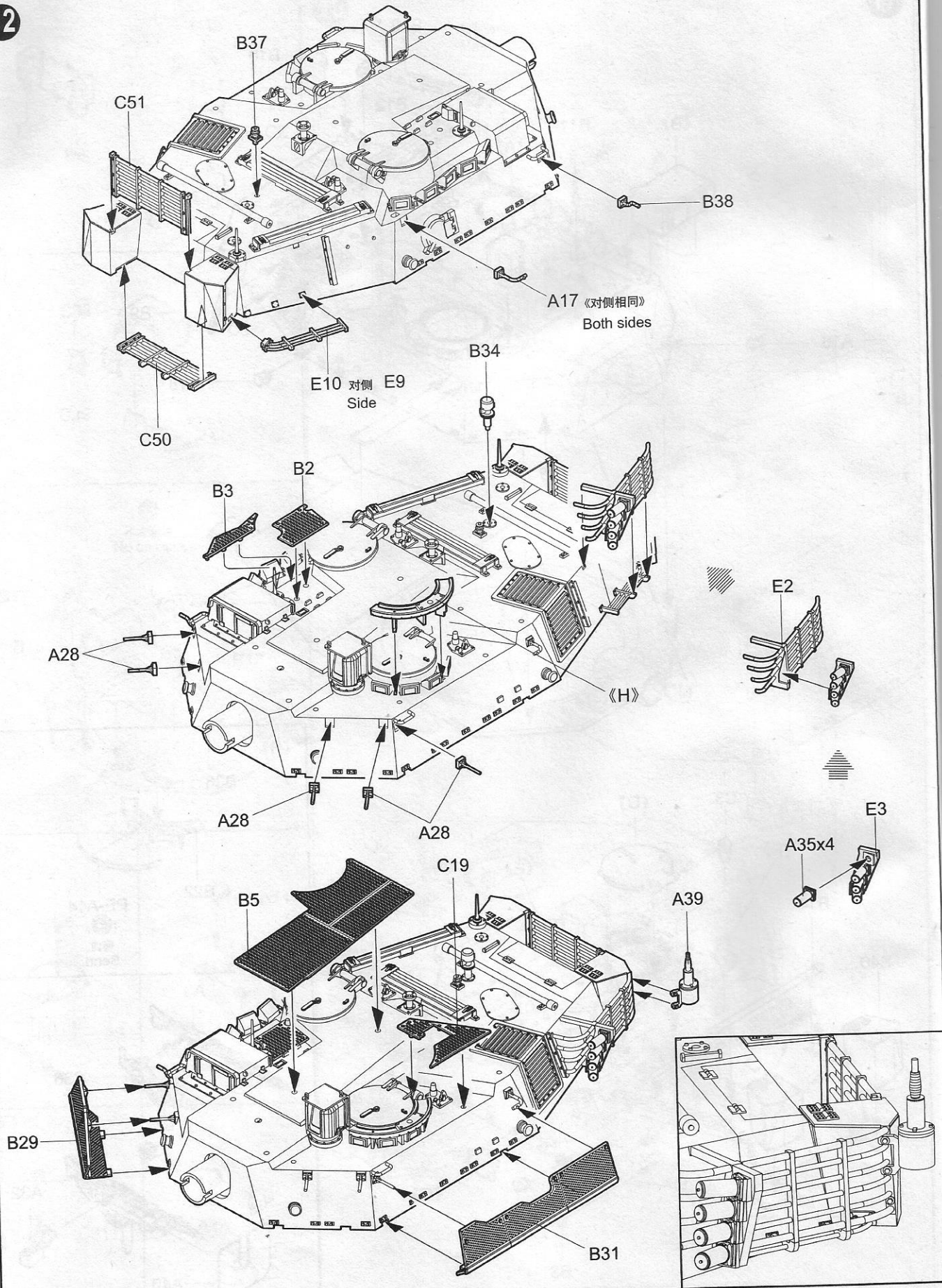
《F》



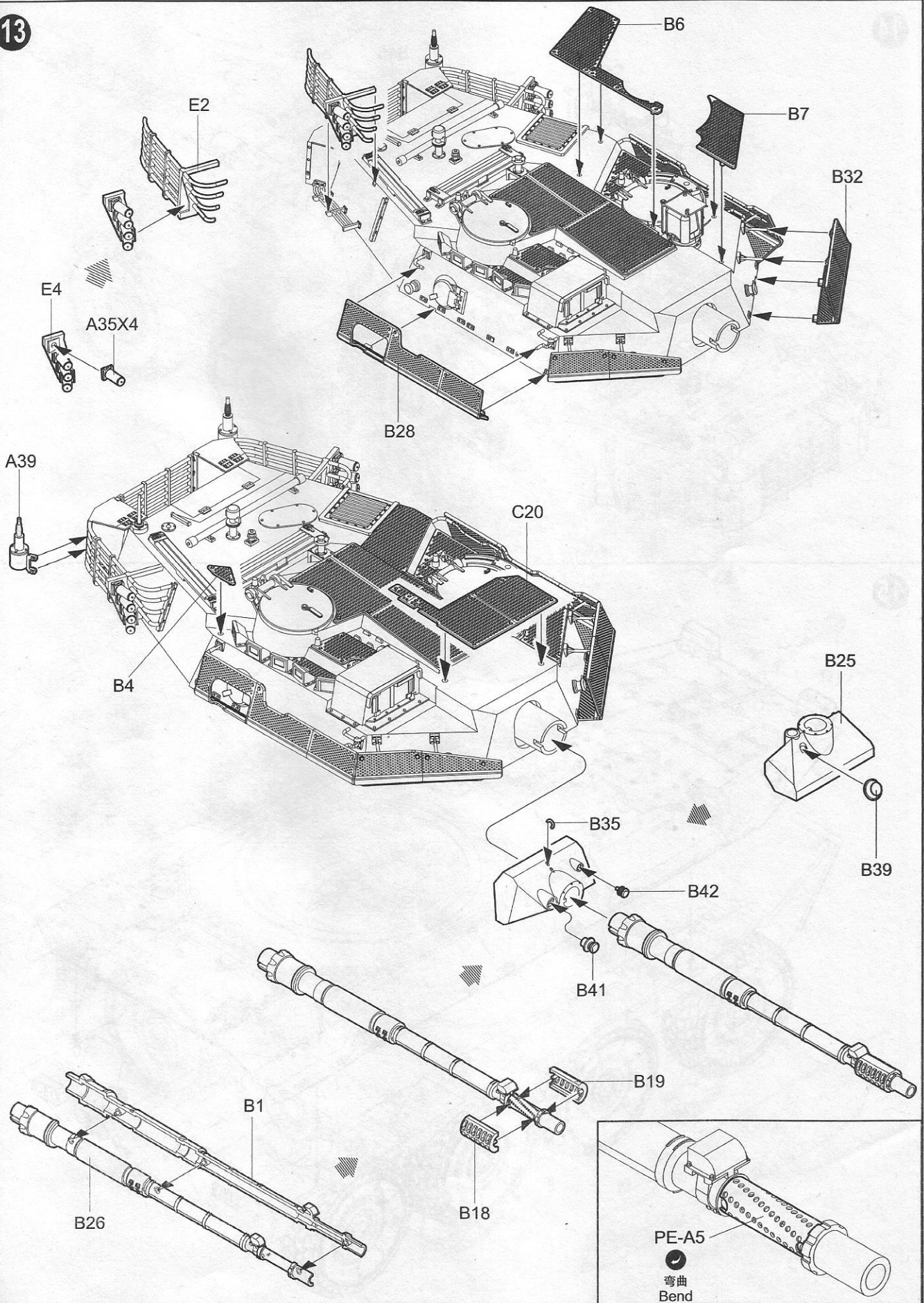
《G》



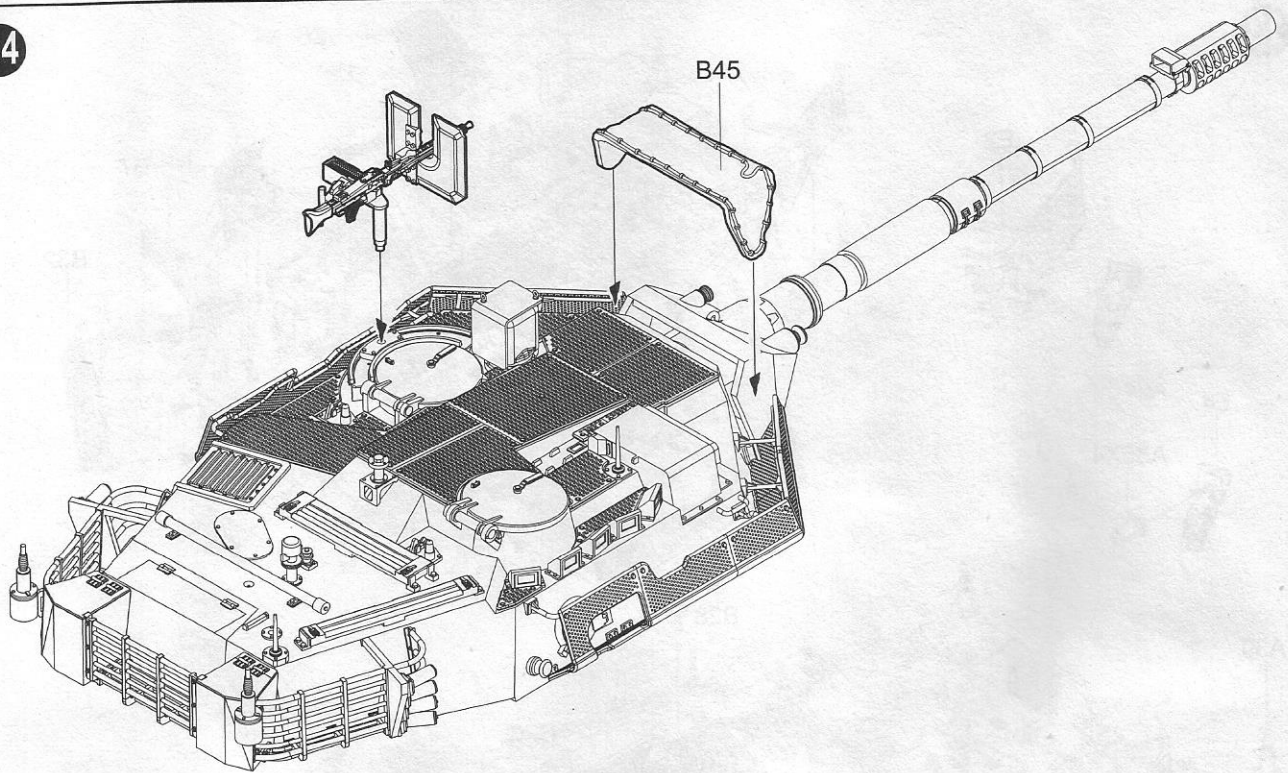




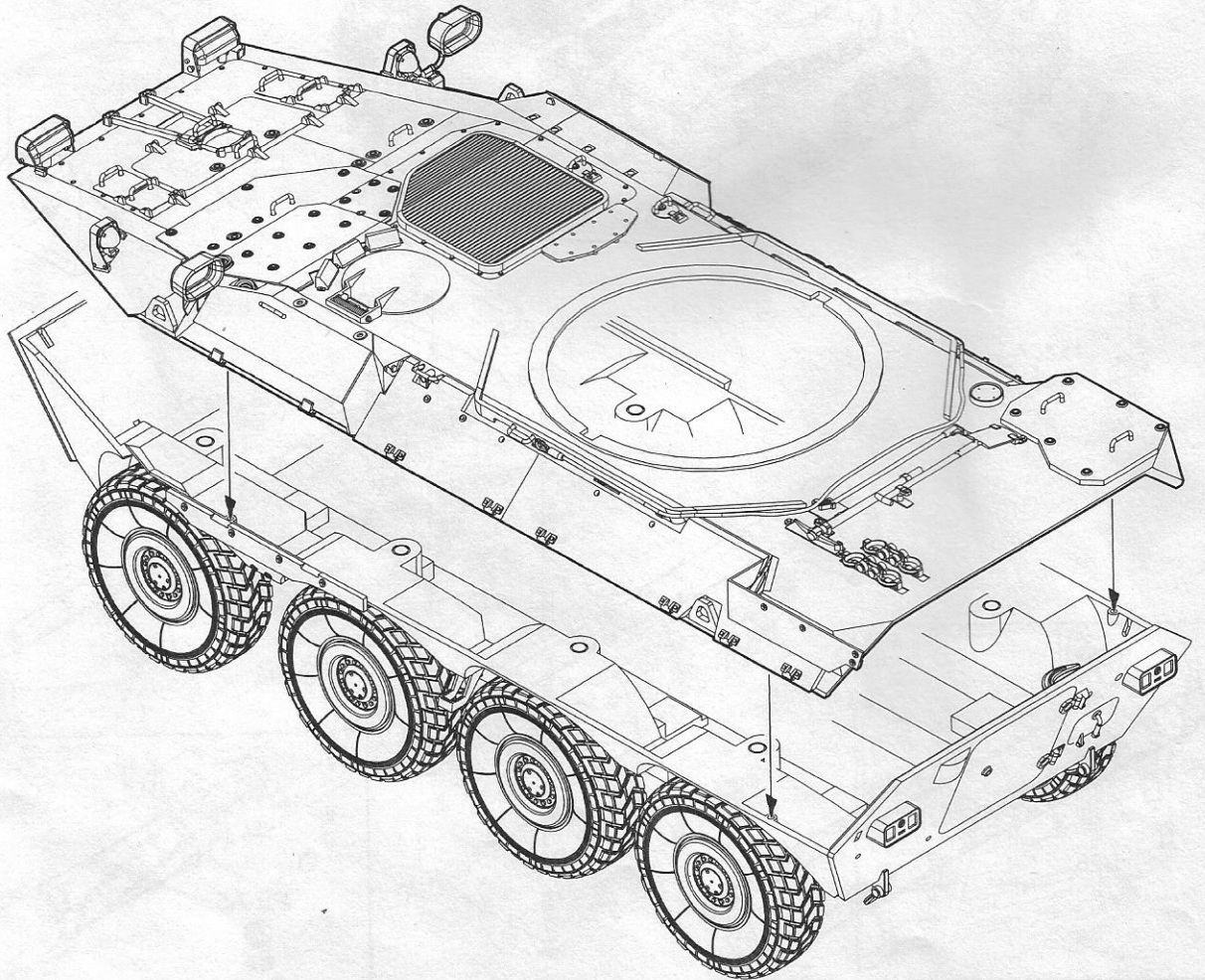
13



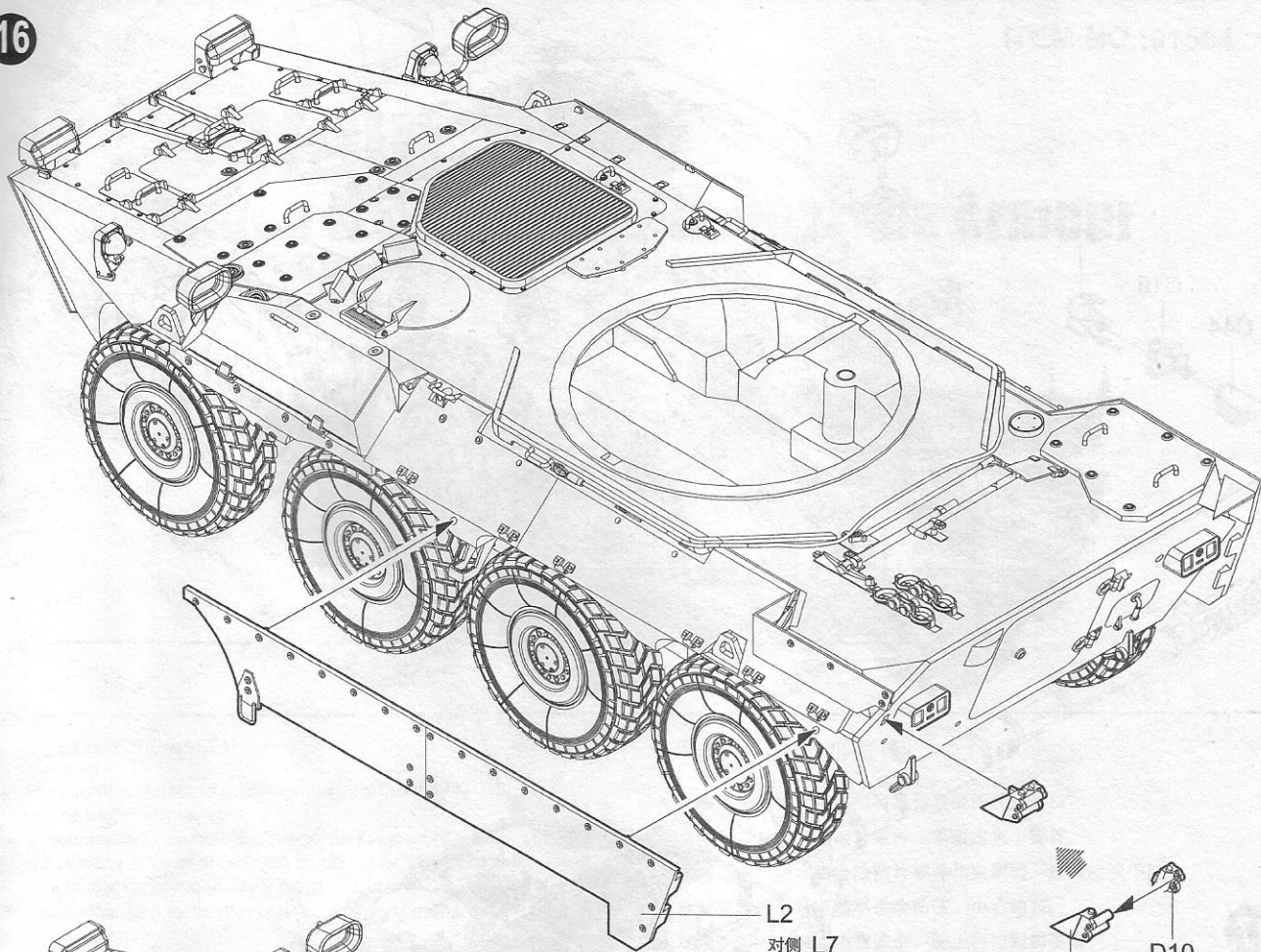
14



15



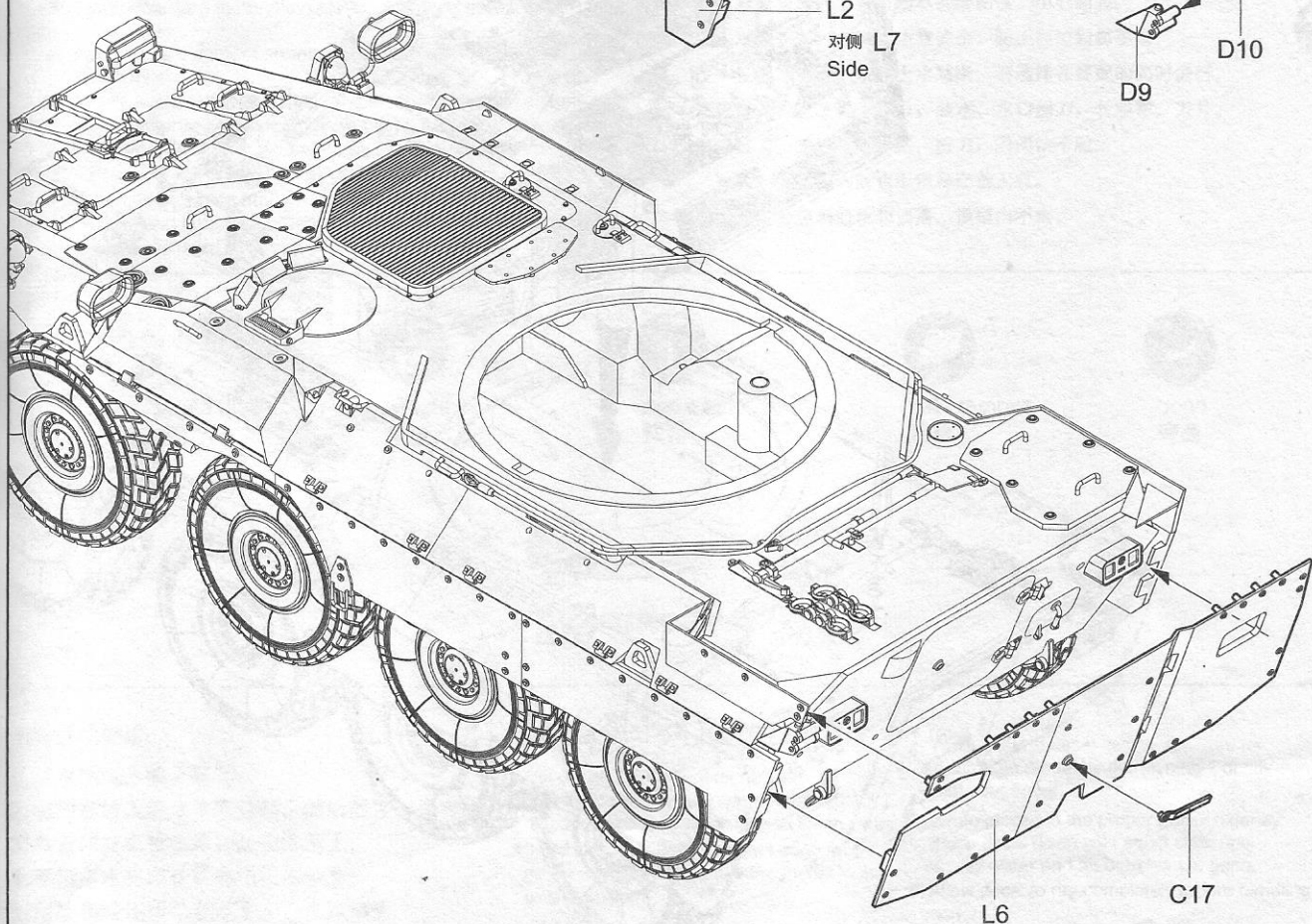
16



L2  
对侧 L7  
Side

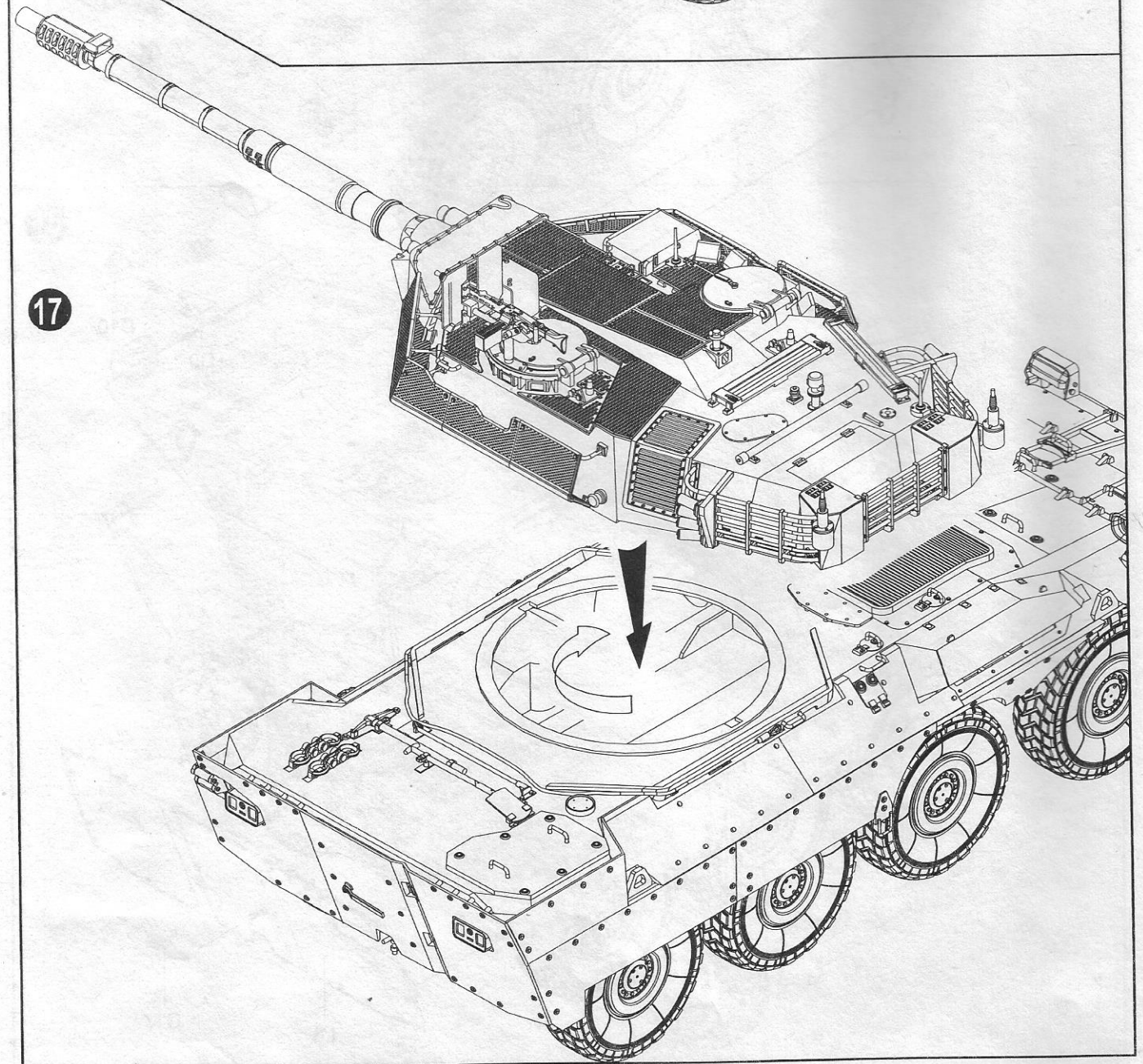
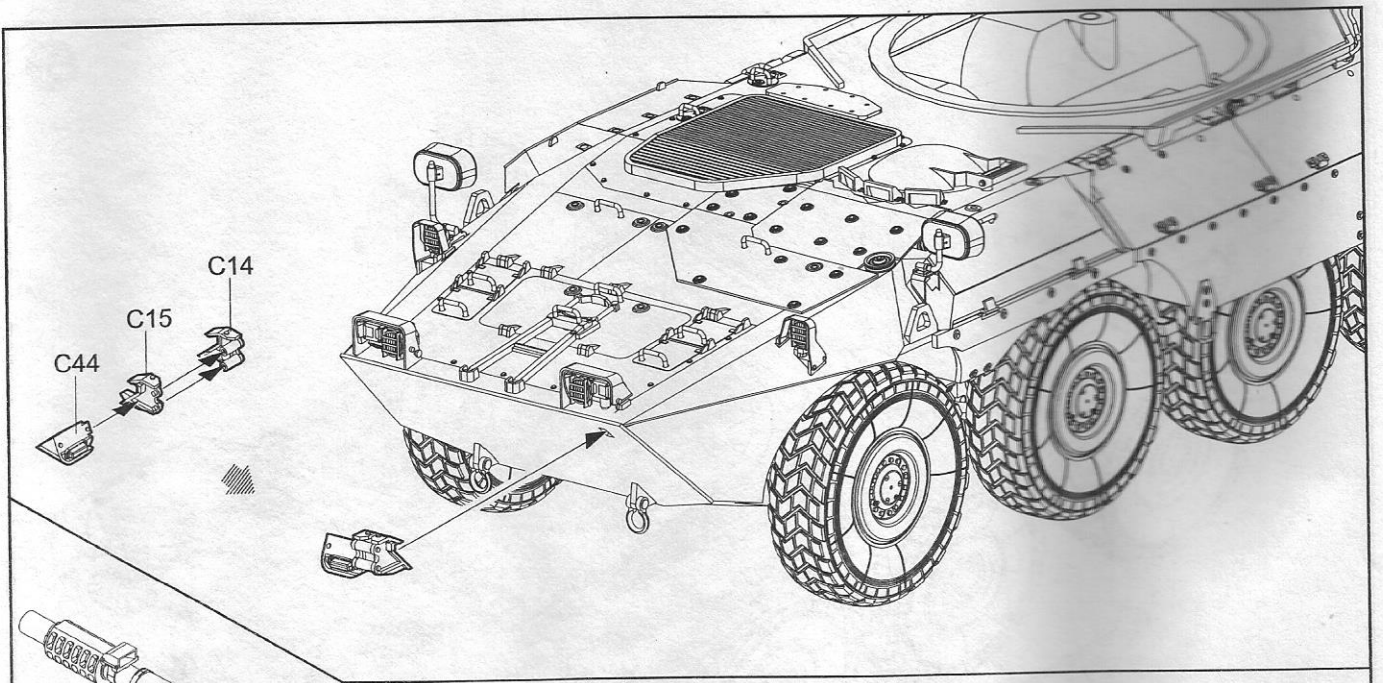
D9

D10



L6

C17



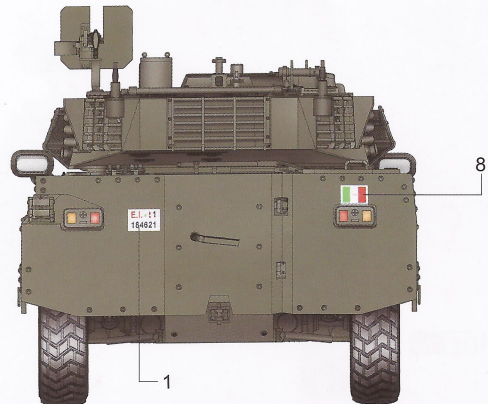
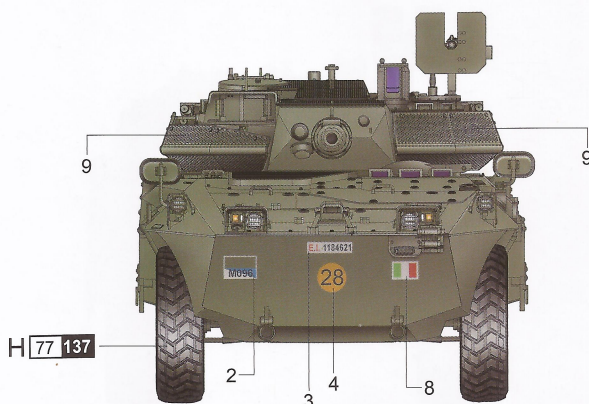
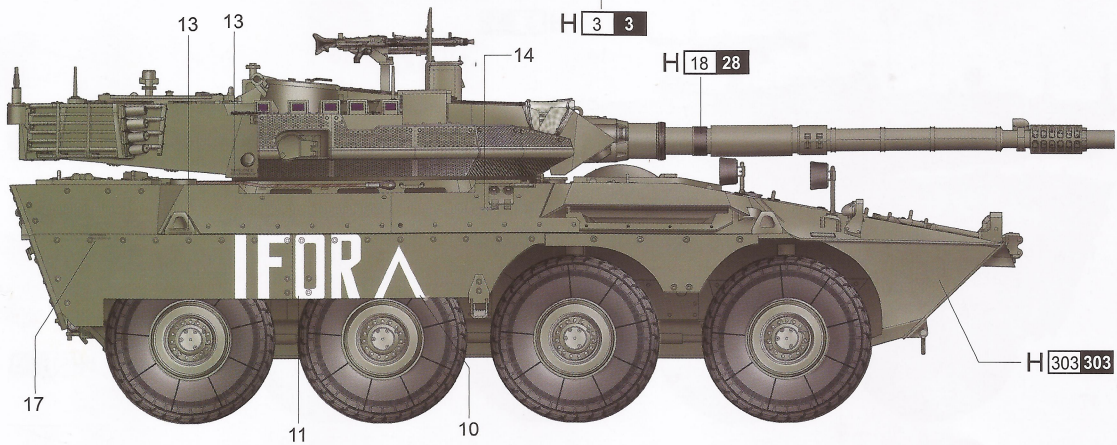
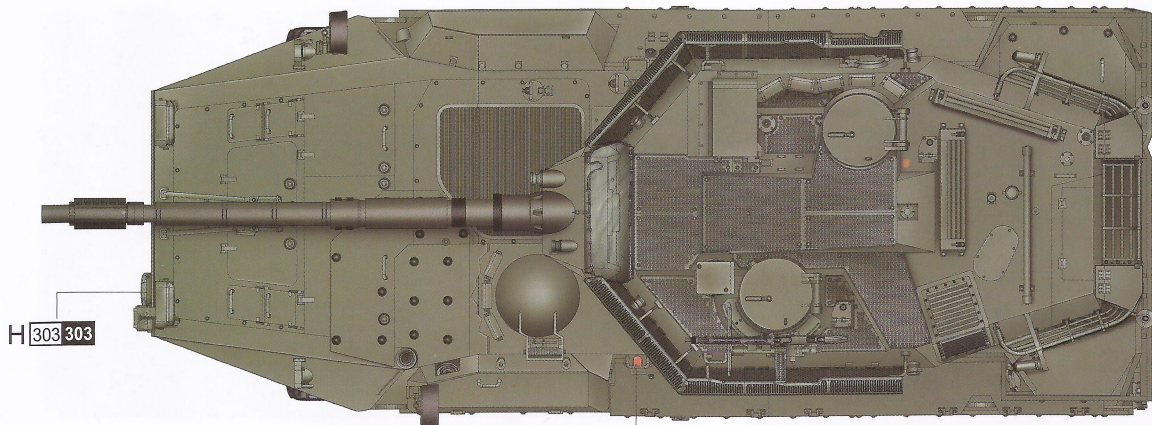
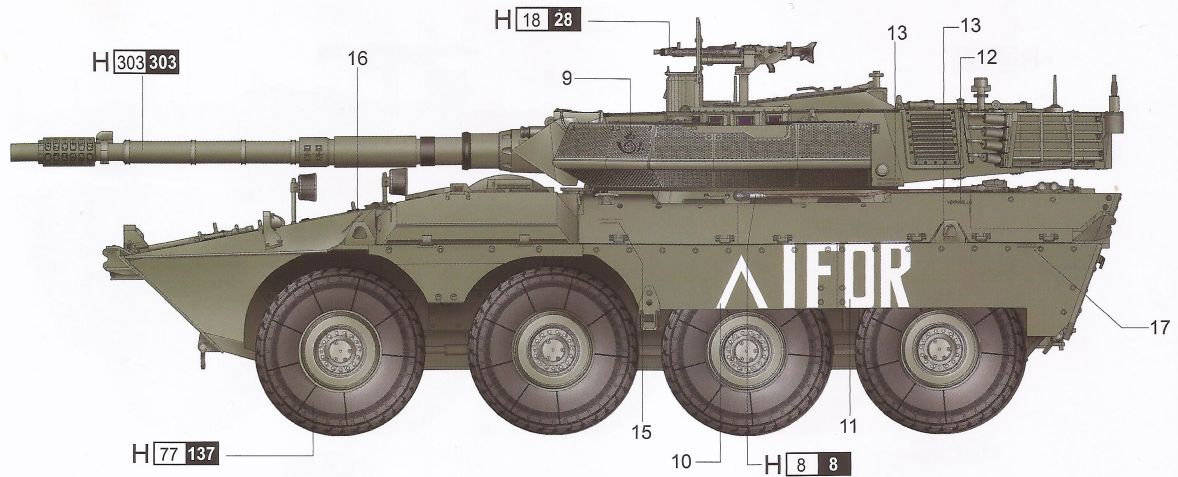


# 涂装同标贴指示

## Painting & Marking guide

A

Color	Mr.Hobby	Vallejo	Model Master	Tamiya	Humbrol
Silver 银色	H 8 8	997	1546	X11	11
Metal Black 黑铁色	H 18 28	864	1402	—	—
Red 红色	H 3 3	908	1503	X7	19
Tire Black 胎黑色	H 77 137	—	—	—	—
Light Green 绿色	H 303 303	—	1713	XF20	117



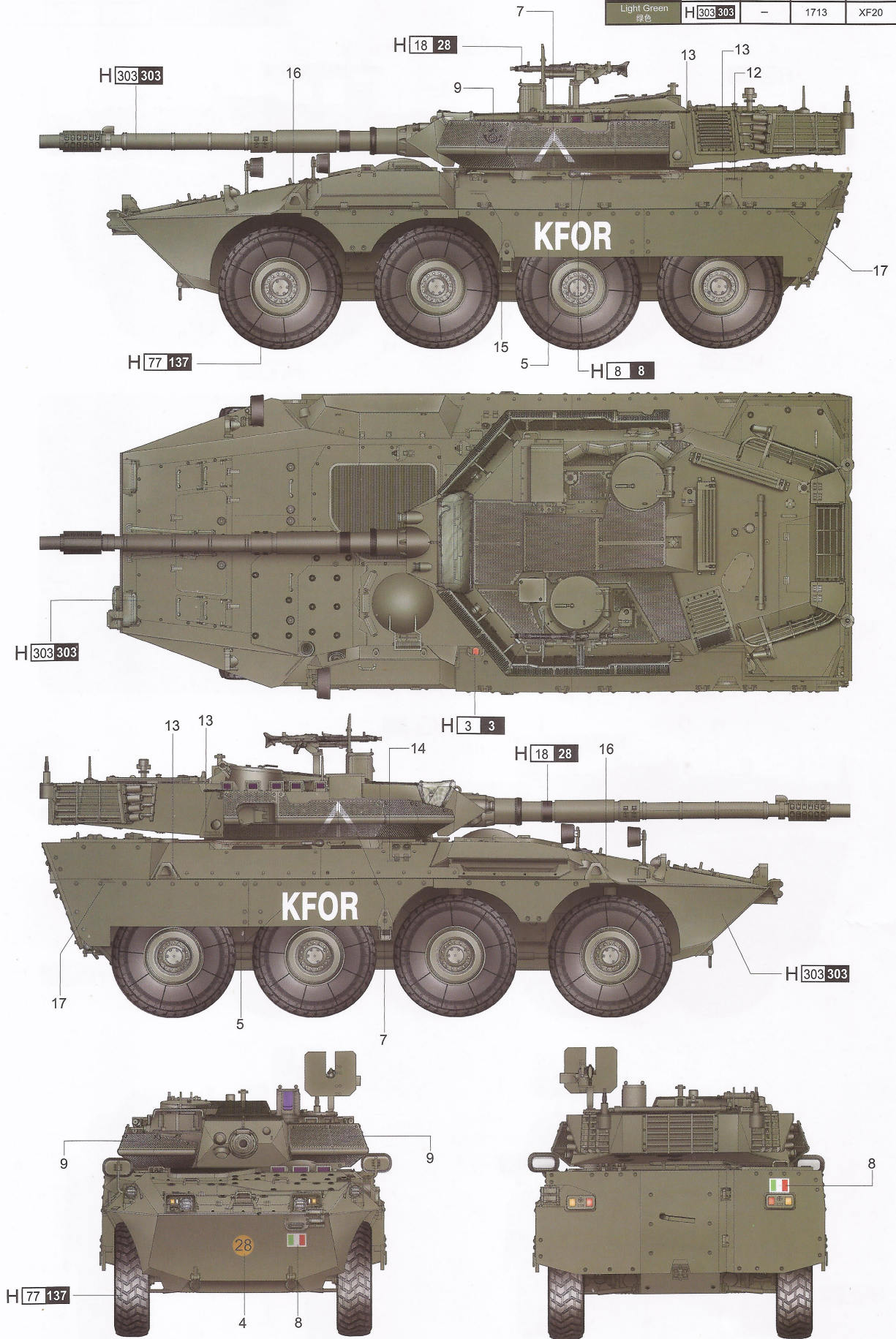
H □ AQUEOUS HOBBY COLOR    ■ Mr. COLOR

# 涂装同标贴指示

## Painting & Marking guide

Color	Mr.Hobby	Vallejo	Model Master	Tamiya	Humbrol
Silver 银色	H 8 8	997	1546	X11	11
Metal Black 黑铁色	H 18 28	864	1402	—	—
Red 红色	H 3 3	908	1503	X7	19
Tire Black 胎黑色	H 77 137	—	—	—	—
Light Green 绿色	H 303 303	—	1713	XF20	117

**B**



H □ AQUEOUS HOBBY COLOR    ■ Mr. COLOR