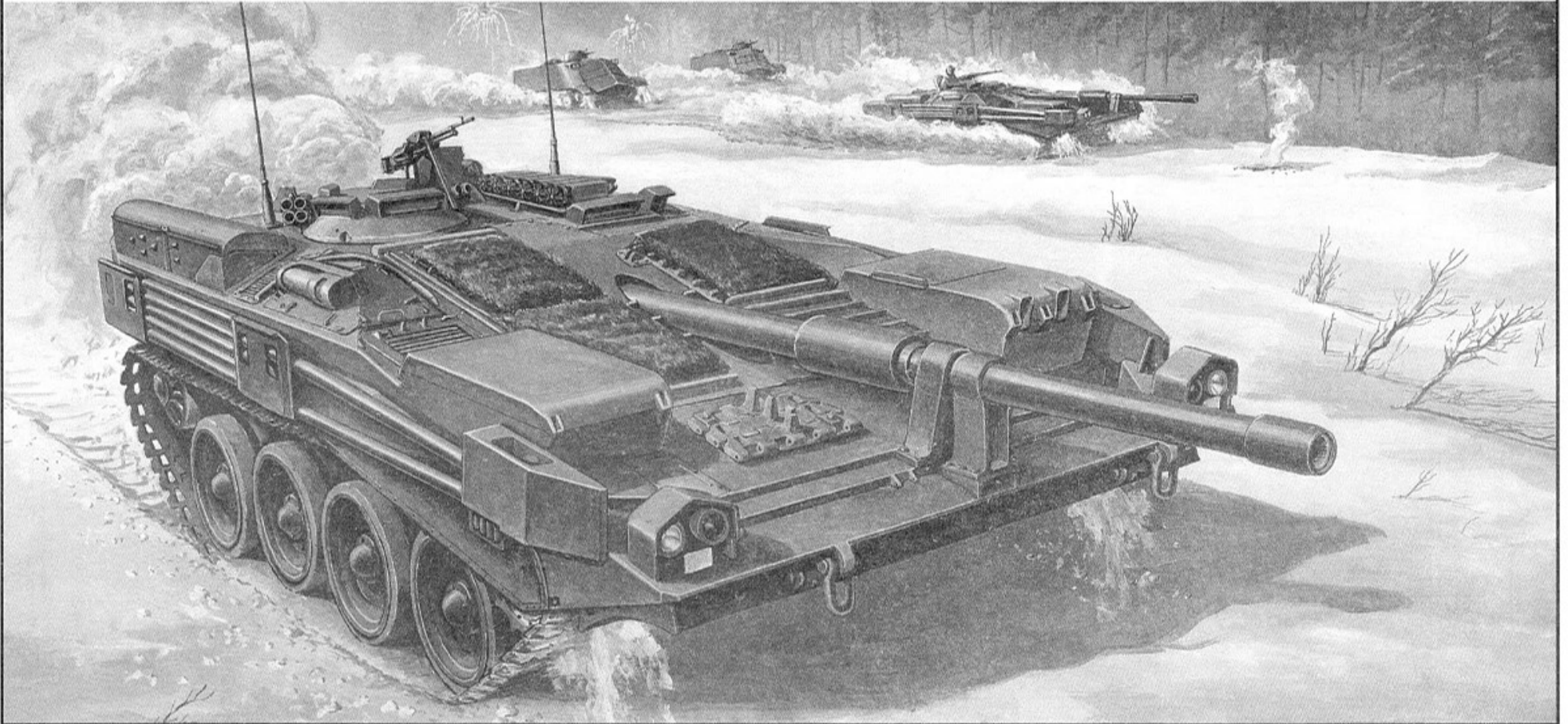


1:35 SCALE

Sweden Strv 103 B MBT

瑞典 Strv 103 B型坦克

颜色指示
COLOR

银色	Silver	黑色	Black
深蓝色	Navy blue	消光黑	Flat black
黑铁色	Steel	透明红	Clear red
德国灰	R1m02 gary	烧铁色	Burnt iron

cyanoacrylate glue
使用强力胶weight
配重make hole
钻孔cut / remove
切除bend
弯曲file / sand
锉平option
选择no cement
不涂胶水decal
贴纸

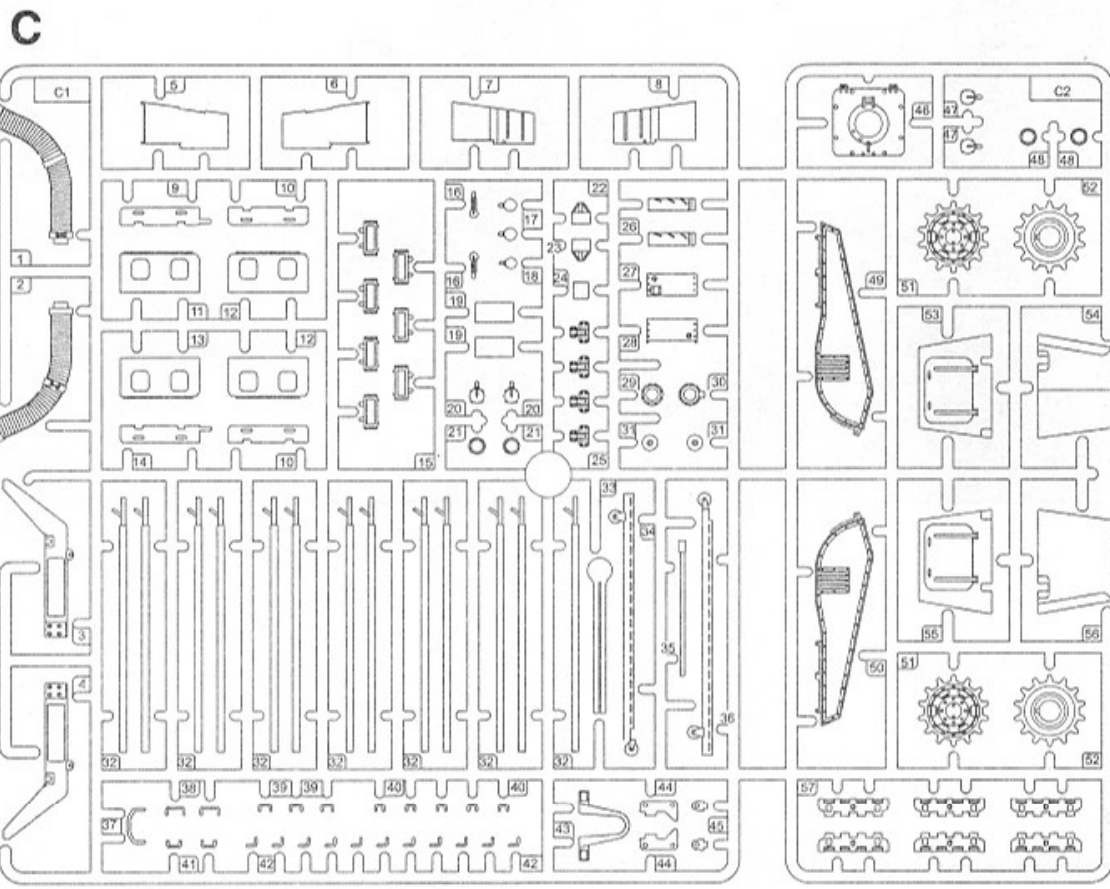
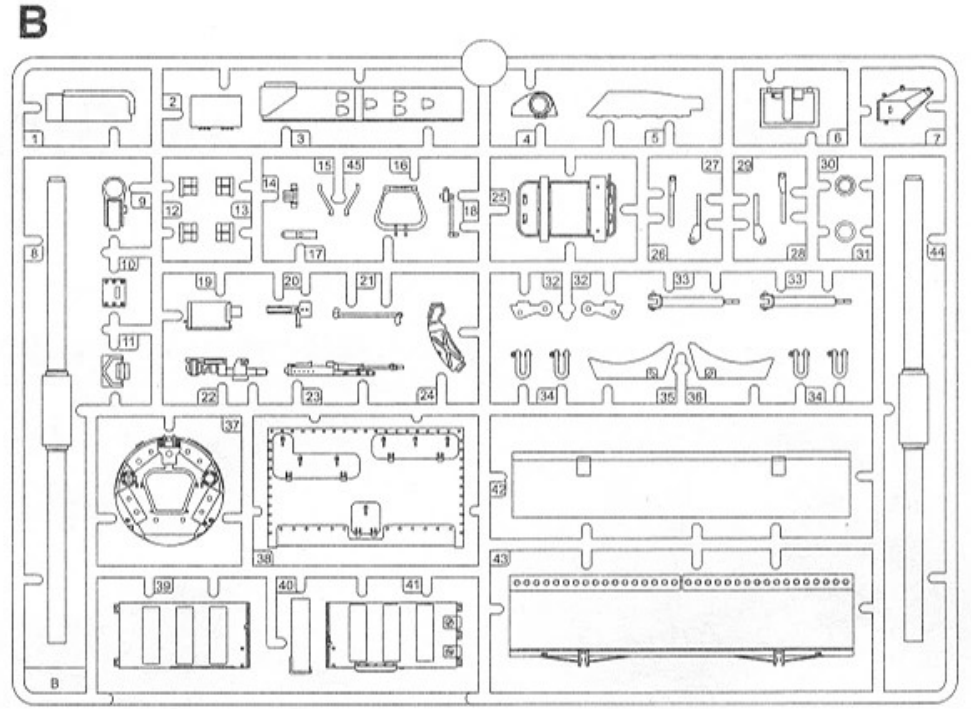
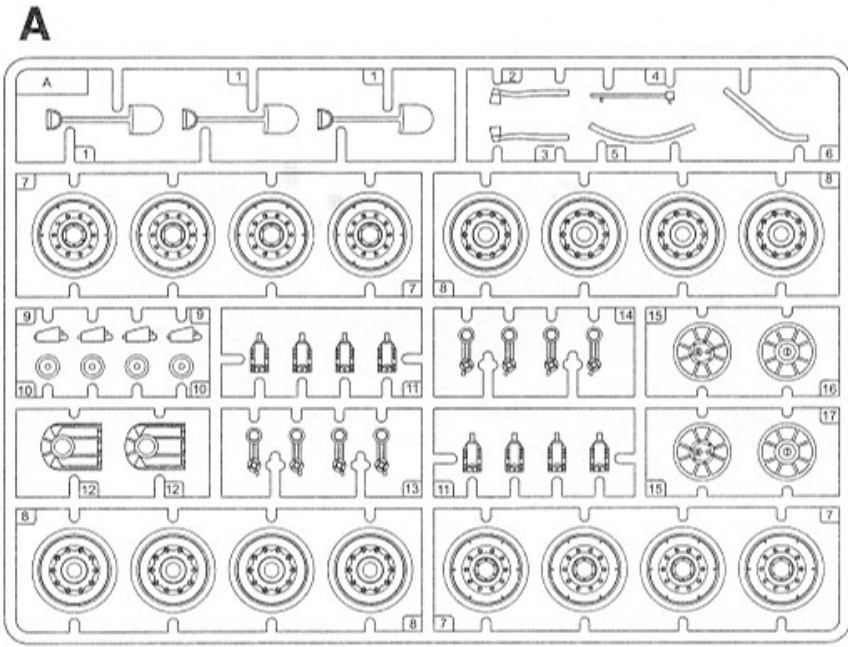
水贴纸的使用:

1. 从水贴上剪下印花;
2. 将印花放入温水中浸10秒, 然后放在干净布上。
3. 拿着印花纸板将印花移到模型上;
4. 手指蘸水将印花移到适当的位置;
5. 用软布轻压印花直至水干, 汽泡消失。

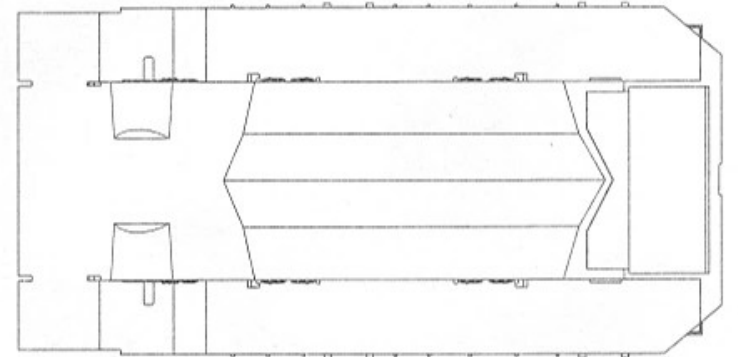
DECAL APPLICATION

1. Cut off decal from sheet.
2. Dip the decal in tepid water 40°C for about 10 sec. and place on a clean cloth.
3. Hold the backing sheet edge and slide decal onto the model.
4. Move decal into position by wetting decal with finger.
5. Press decal gently down with a soft cloth until excess water and air bubbles are gone.

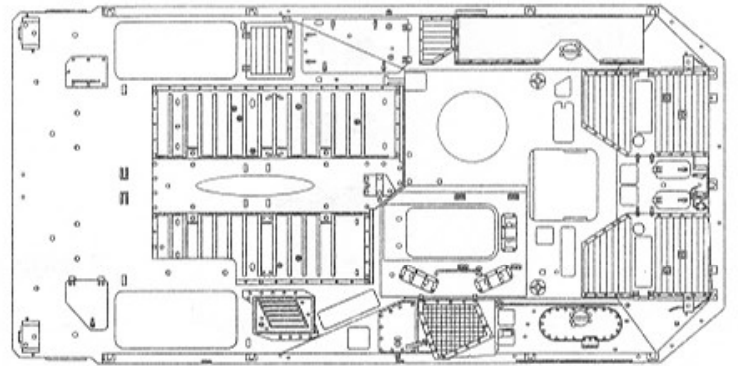
部品图 Parts



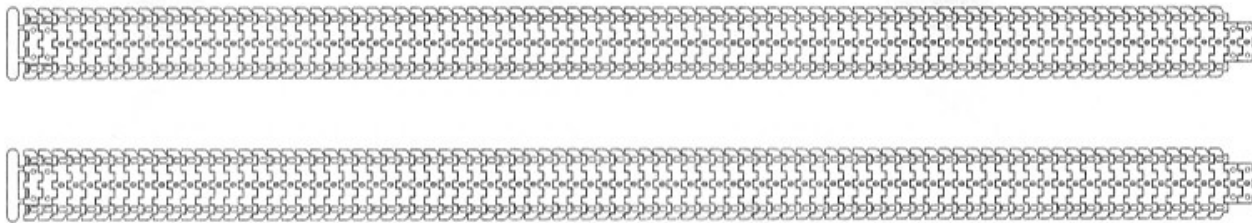
车底
Lower hull



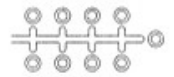
车面
Upper hull



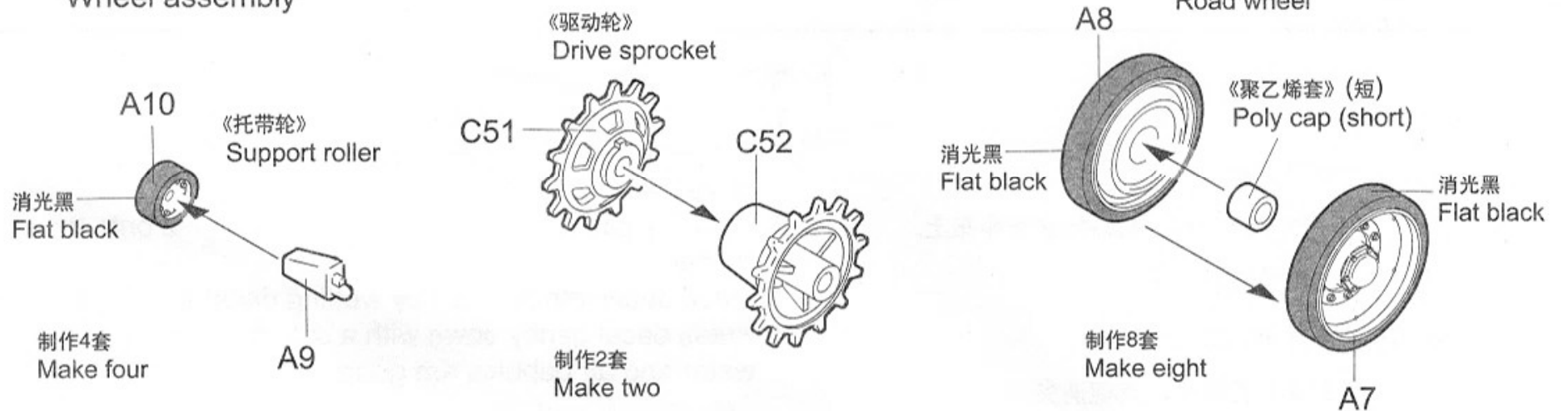
履带
Track



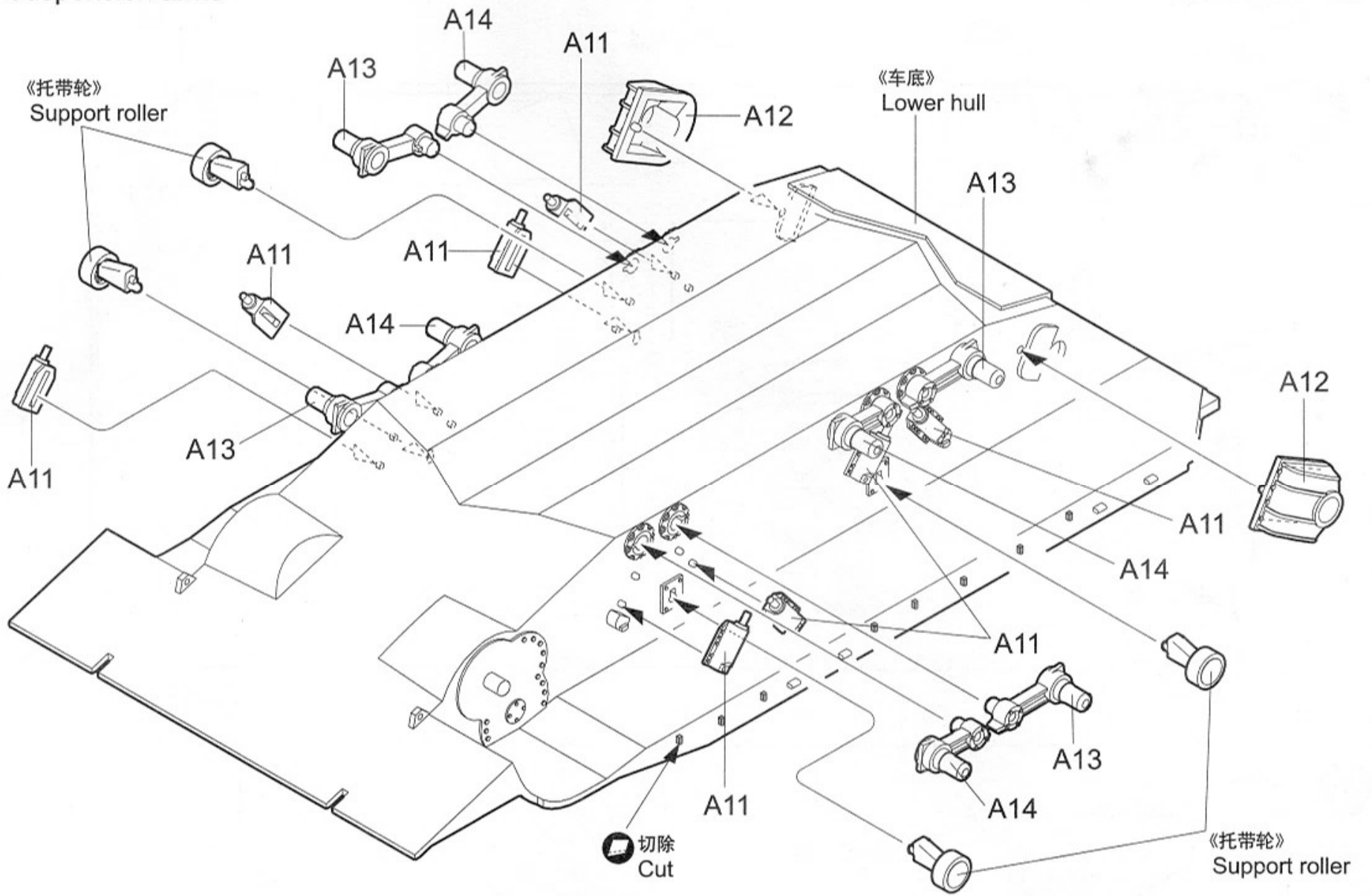
聚乙烯套
Polyethylene Cap



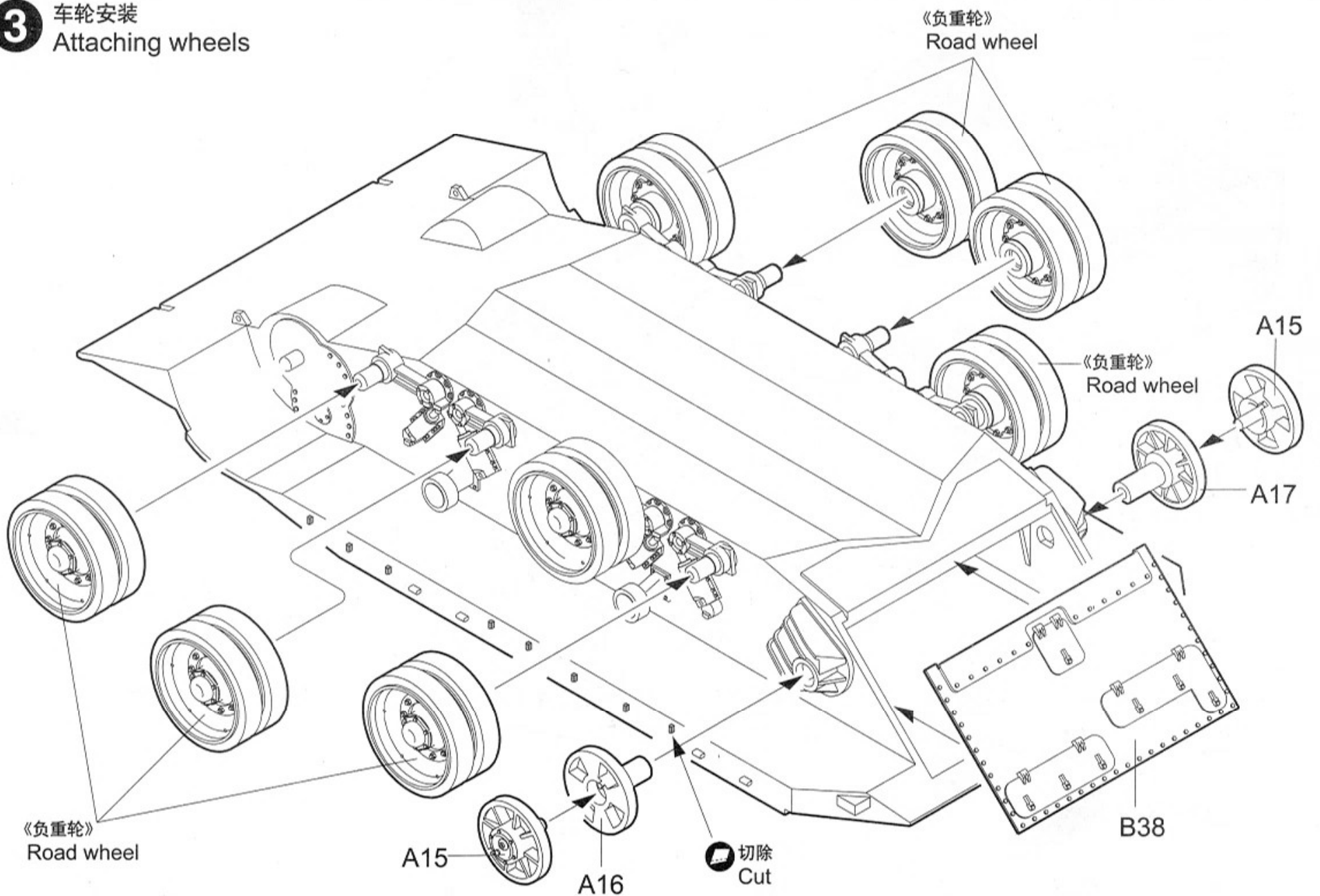
1 车轮组装 Wheel assembly



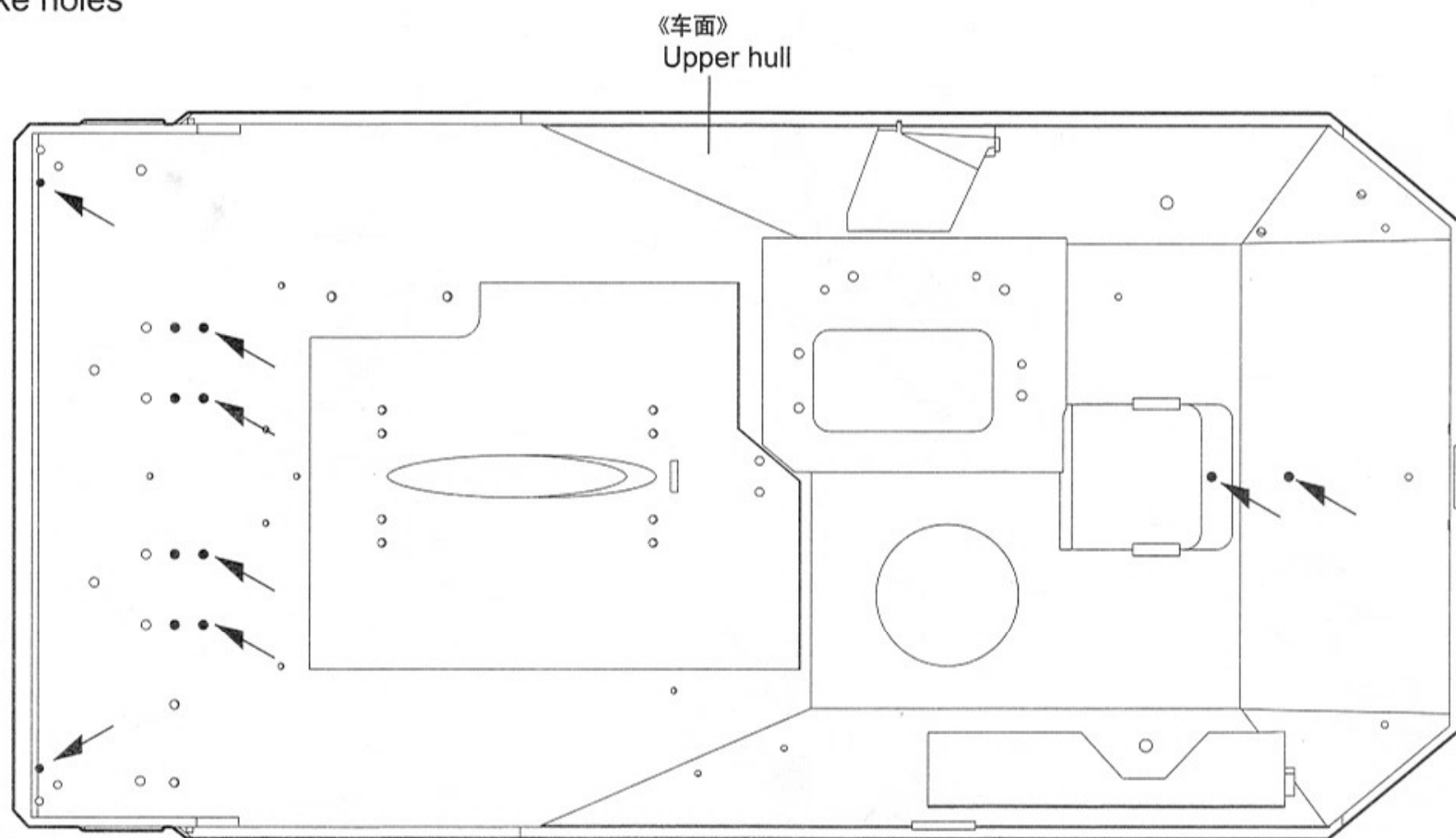
2 悬臂安装
Suspension arms



3 车轮安装
Attaching wheels

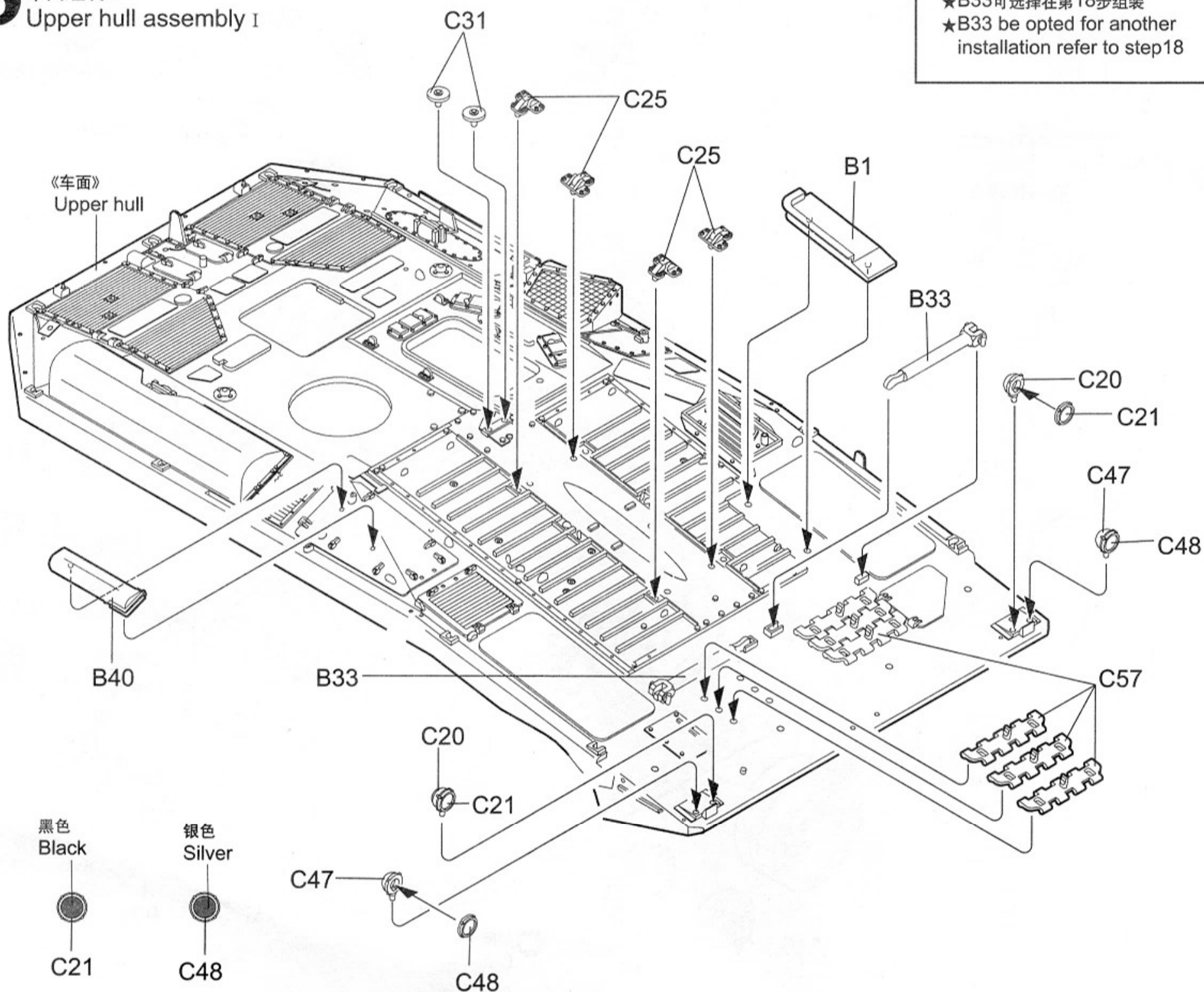


4 钻穿图中涂黑的孔位
Make holes

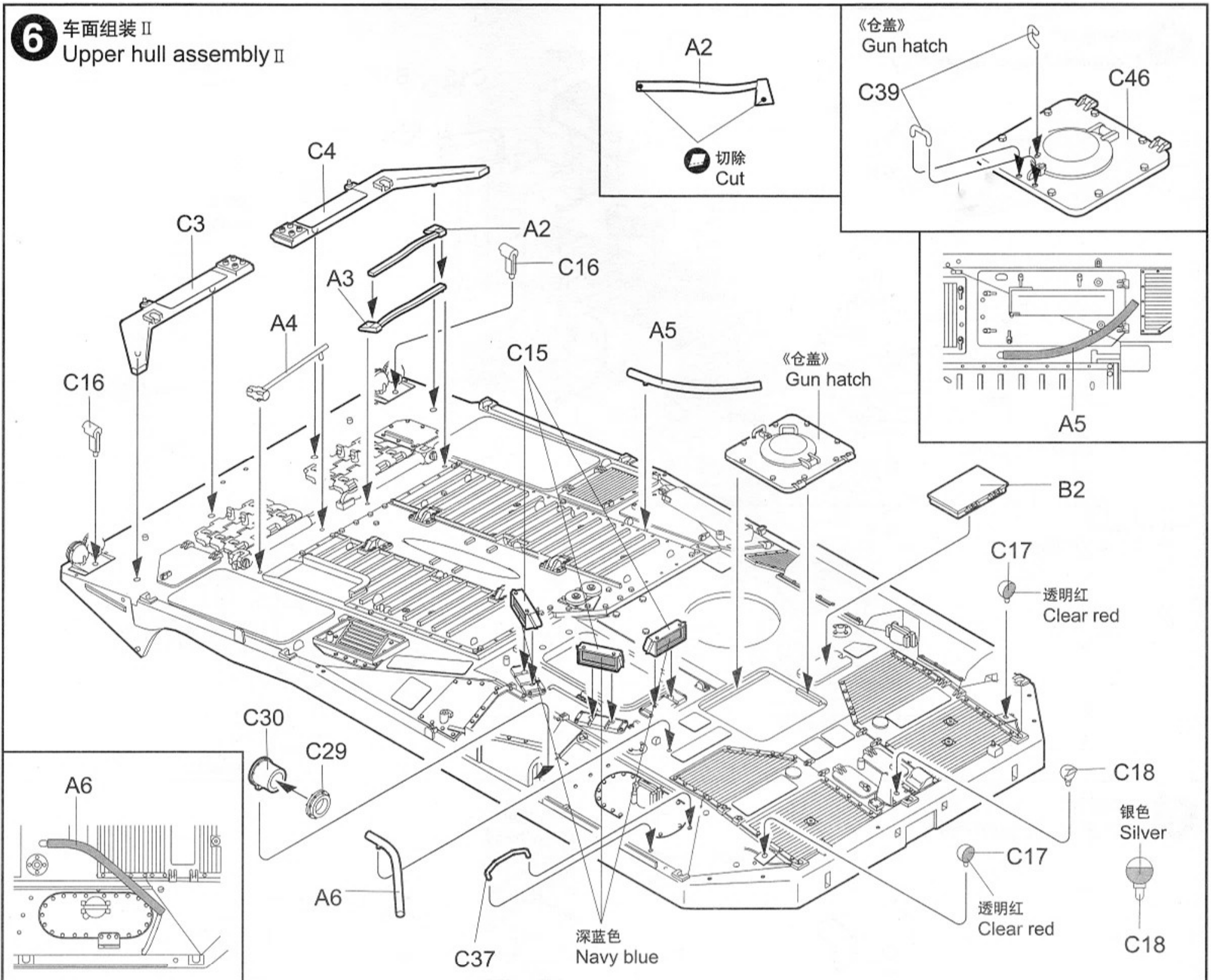


5 车面组装 I
Upper hull assembly I

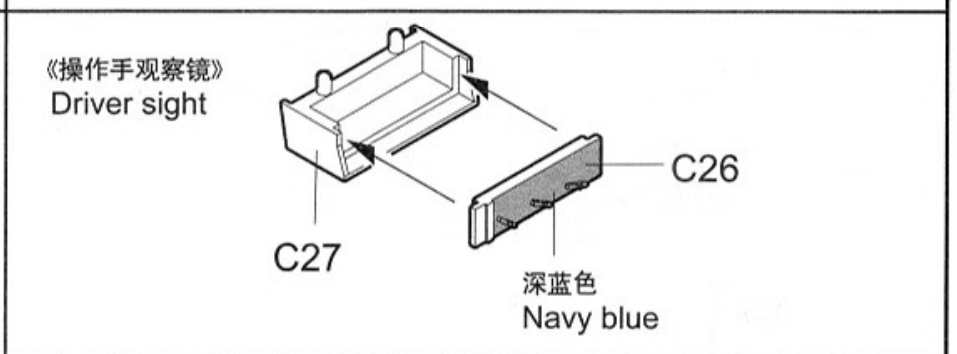
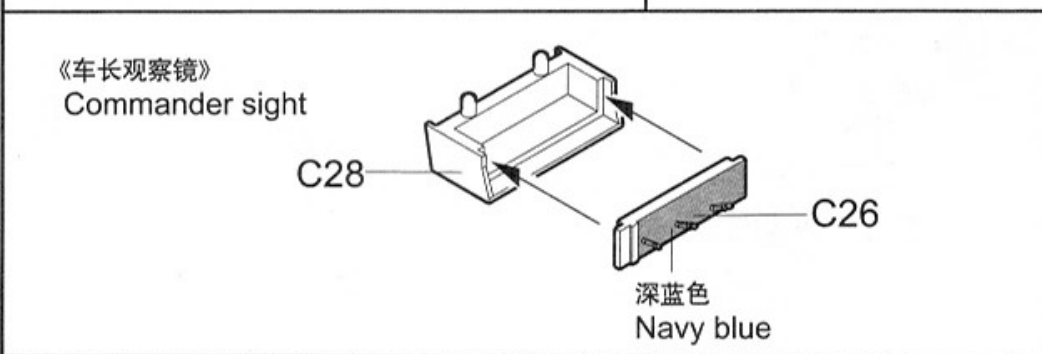
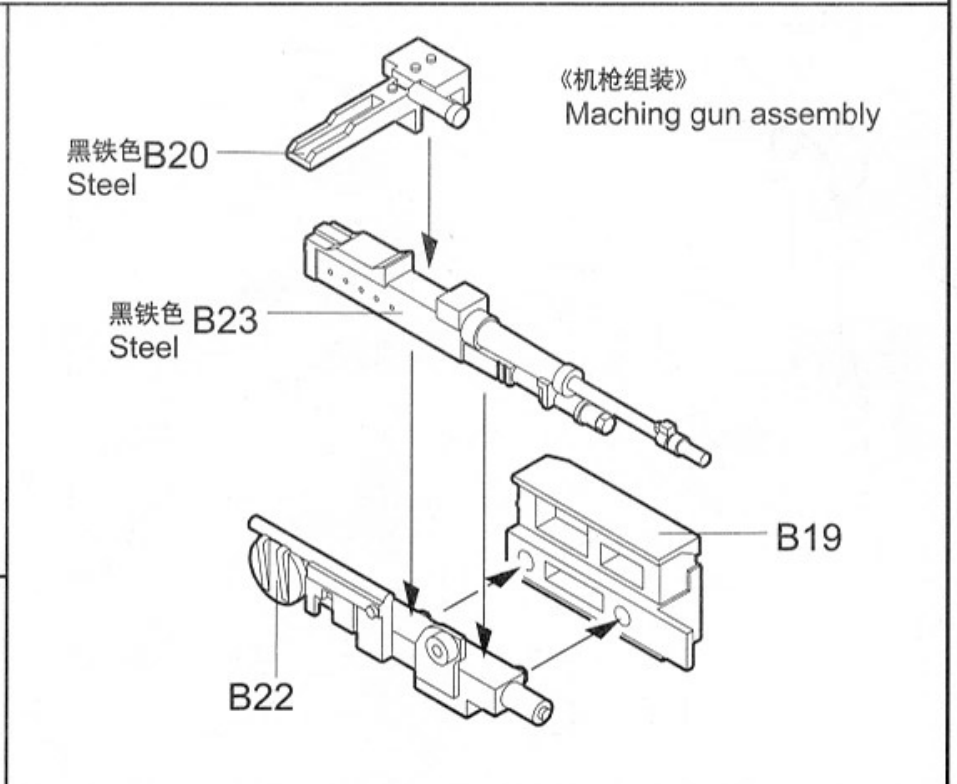
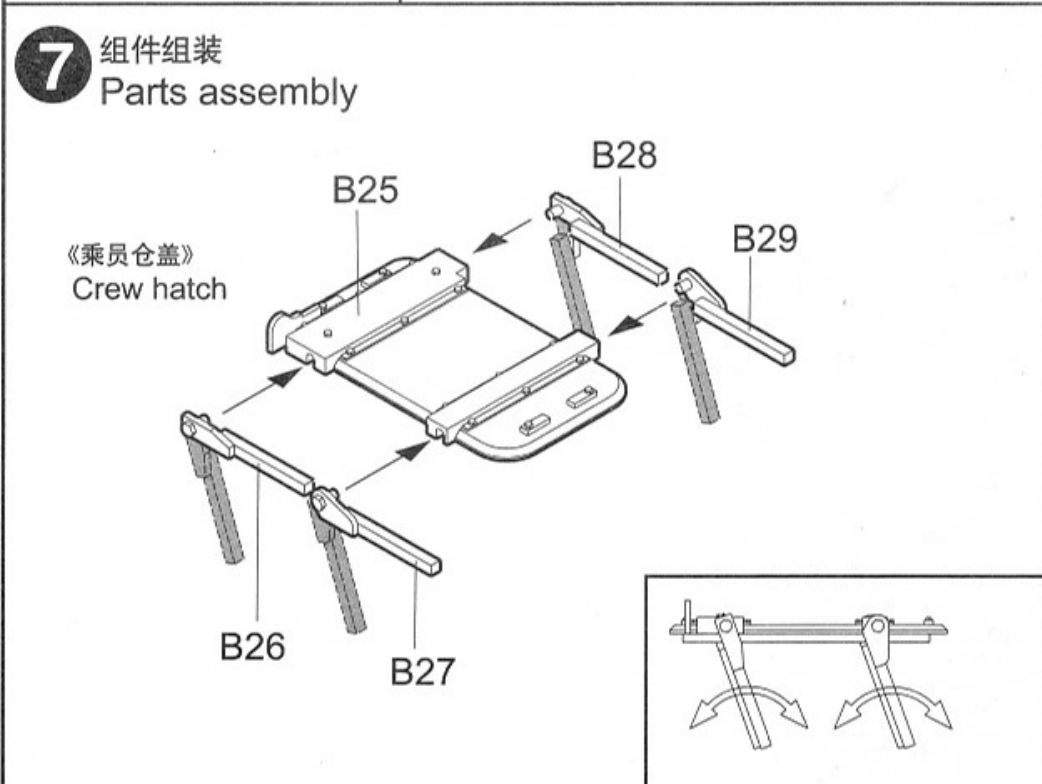
★B33可选择在第18步组装
★B33 be opted for another installation refer to step18



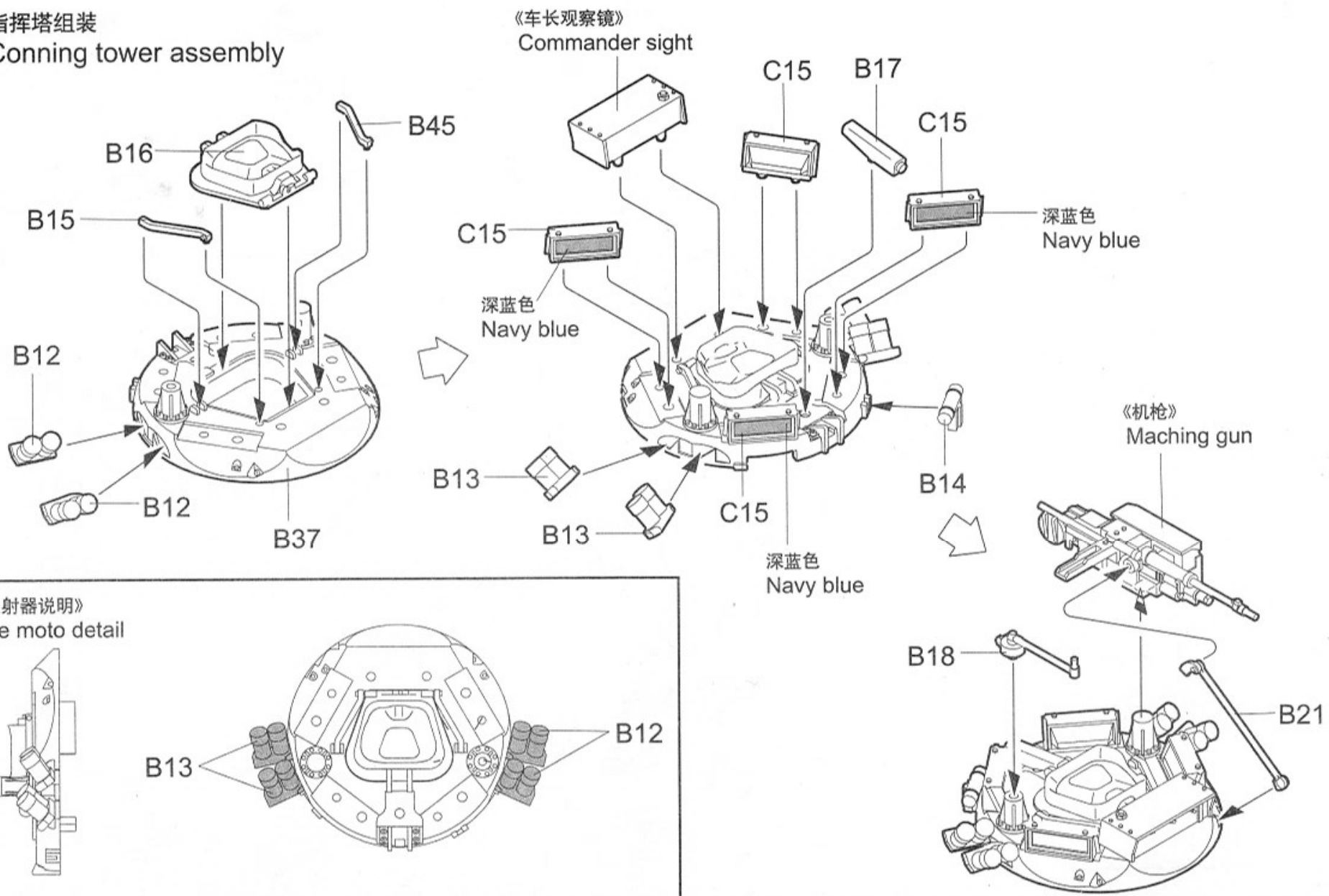
6 车面组装 II
Upper hull assembly II



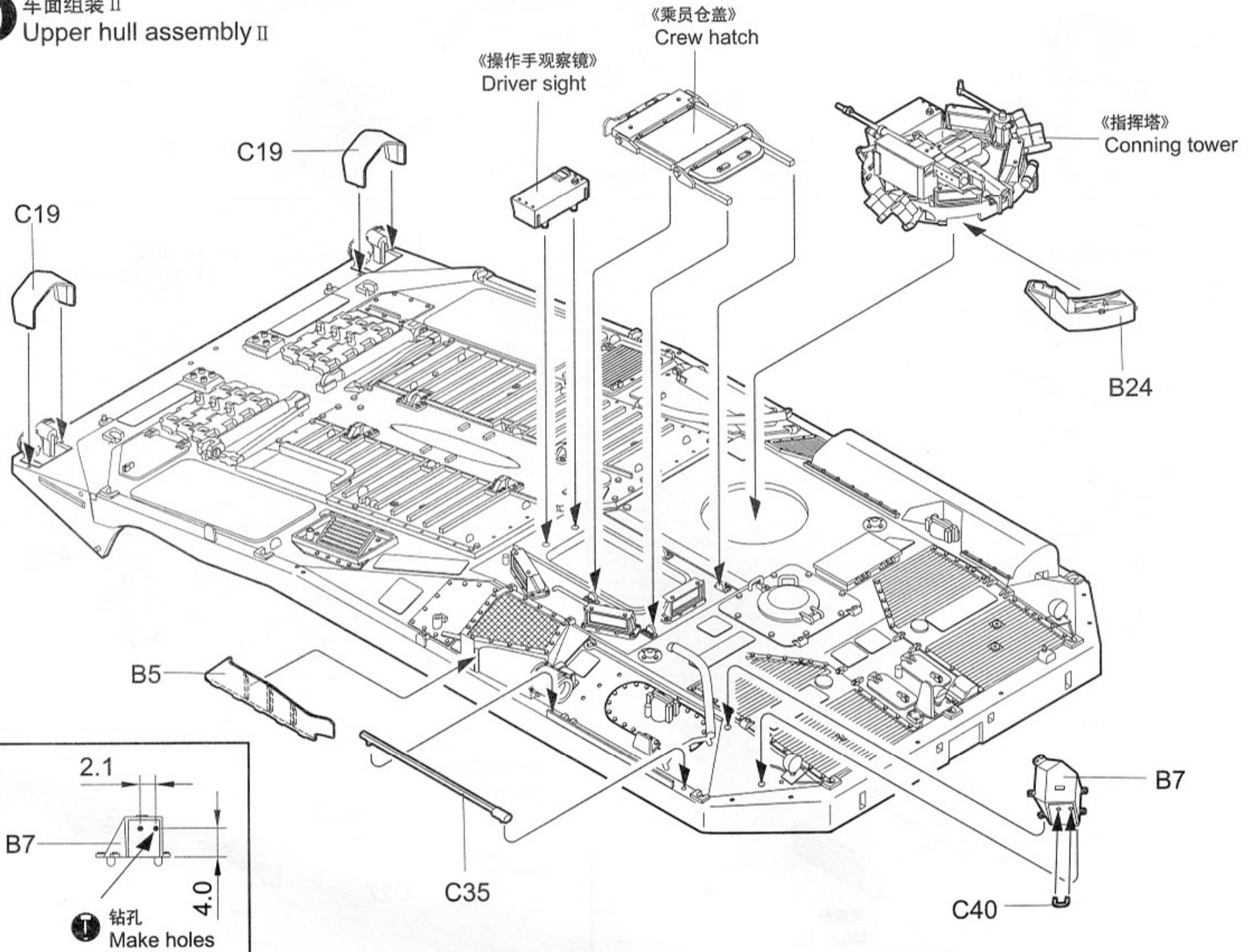
7 组件组装
Parts assembly



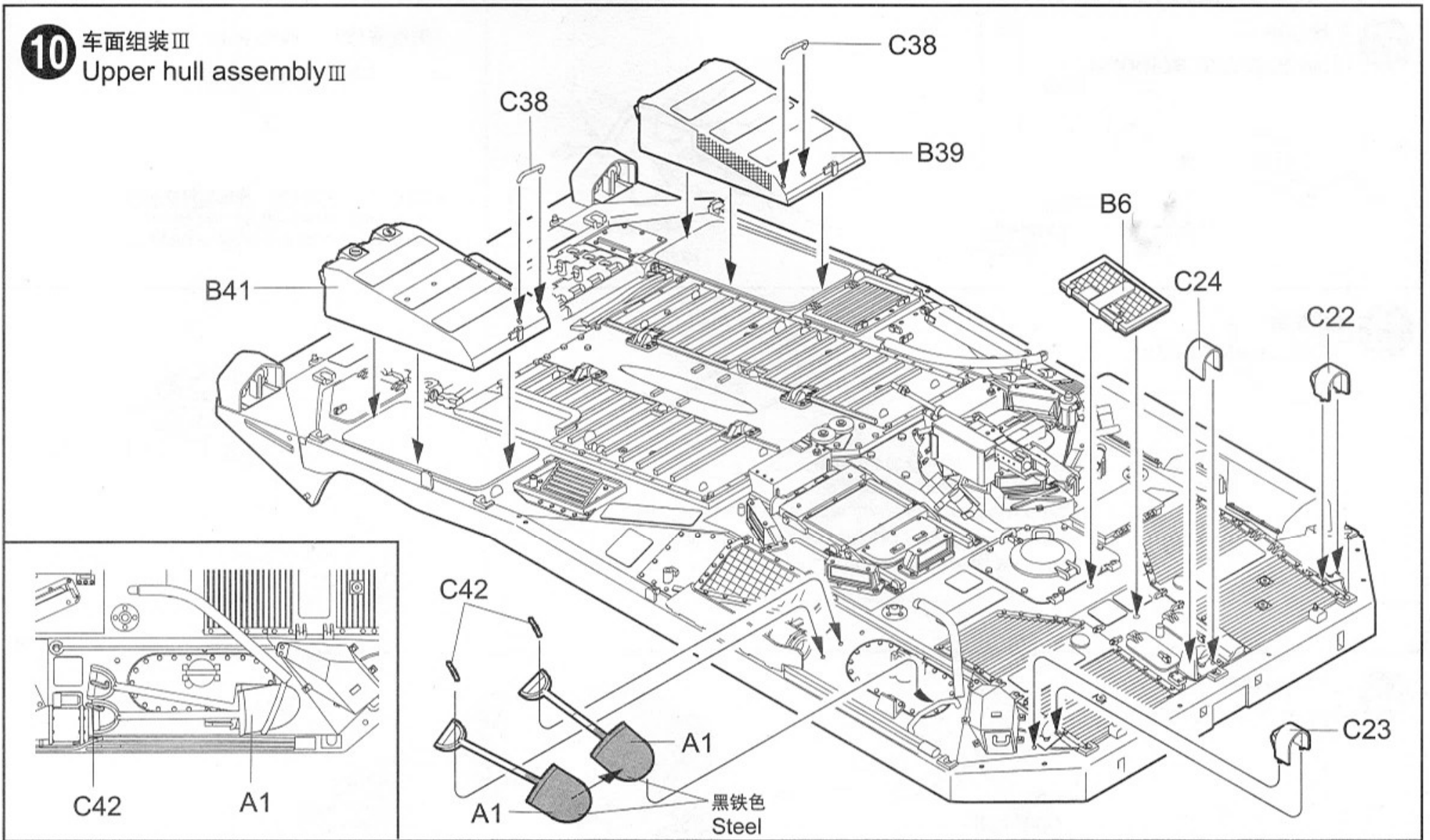
8 指挥塔组装
Conning tower assembly



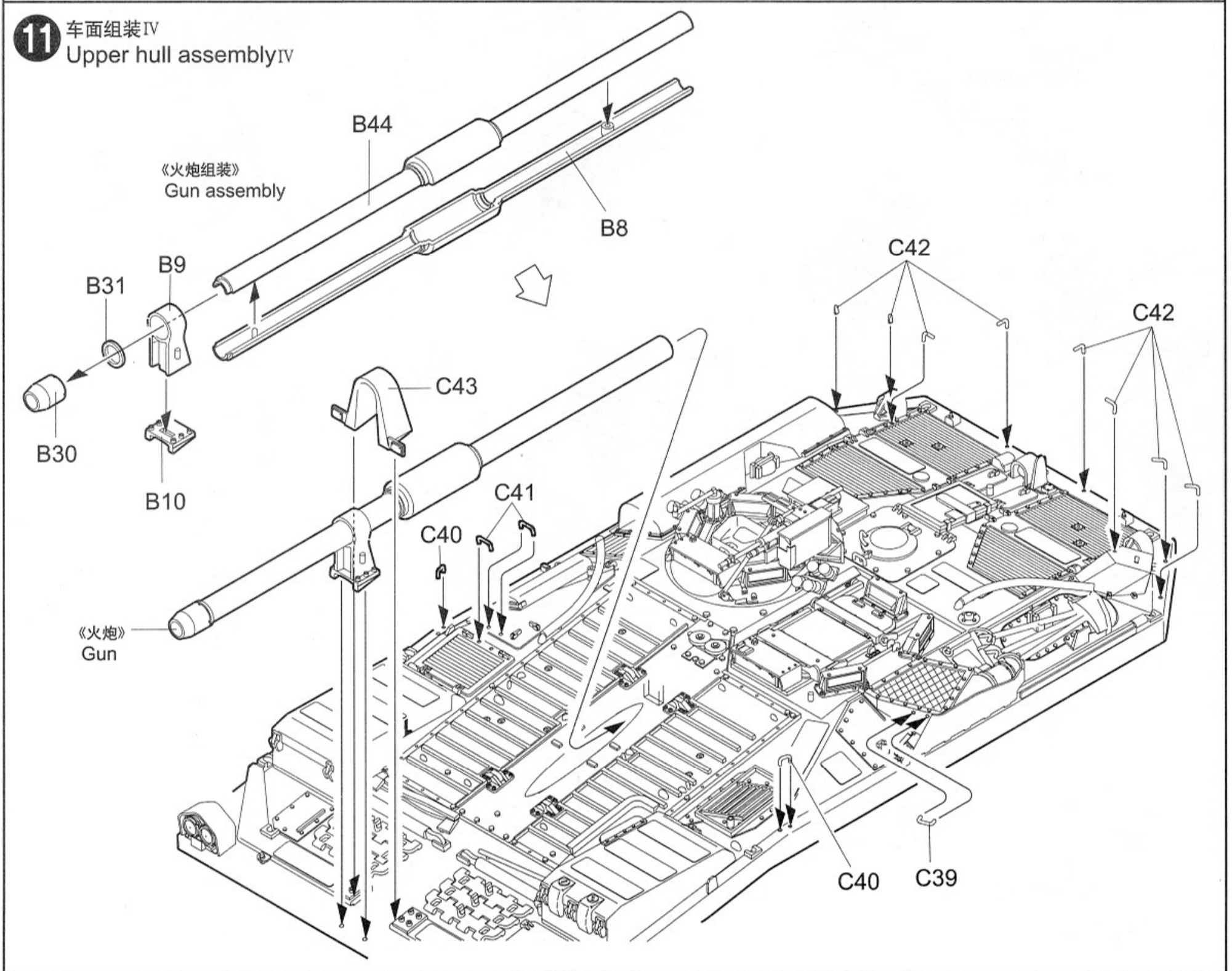
9 车面组装 II
Upper hull assembly II



10 车面组装Ⅲ
Upper hull assemblyⅢ

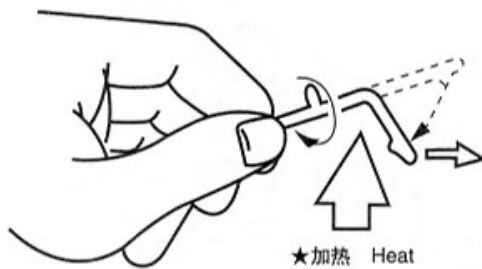


11 车面组装Ⅳ
Upper hull assemblyⅣ



12 天线制作
How to make antenna

《天线制作》 How to make antenna

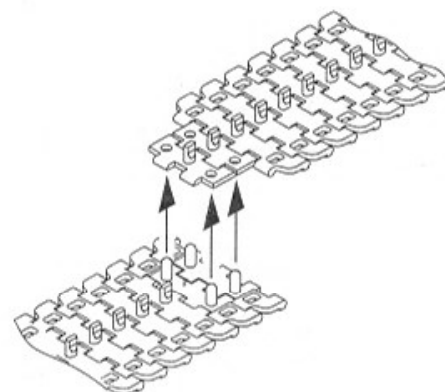


制作2组
Make two

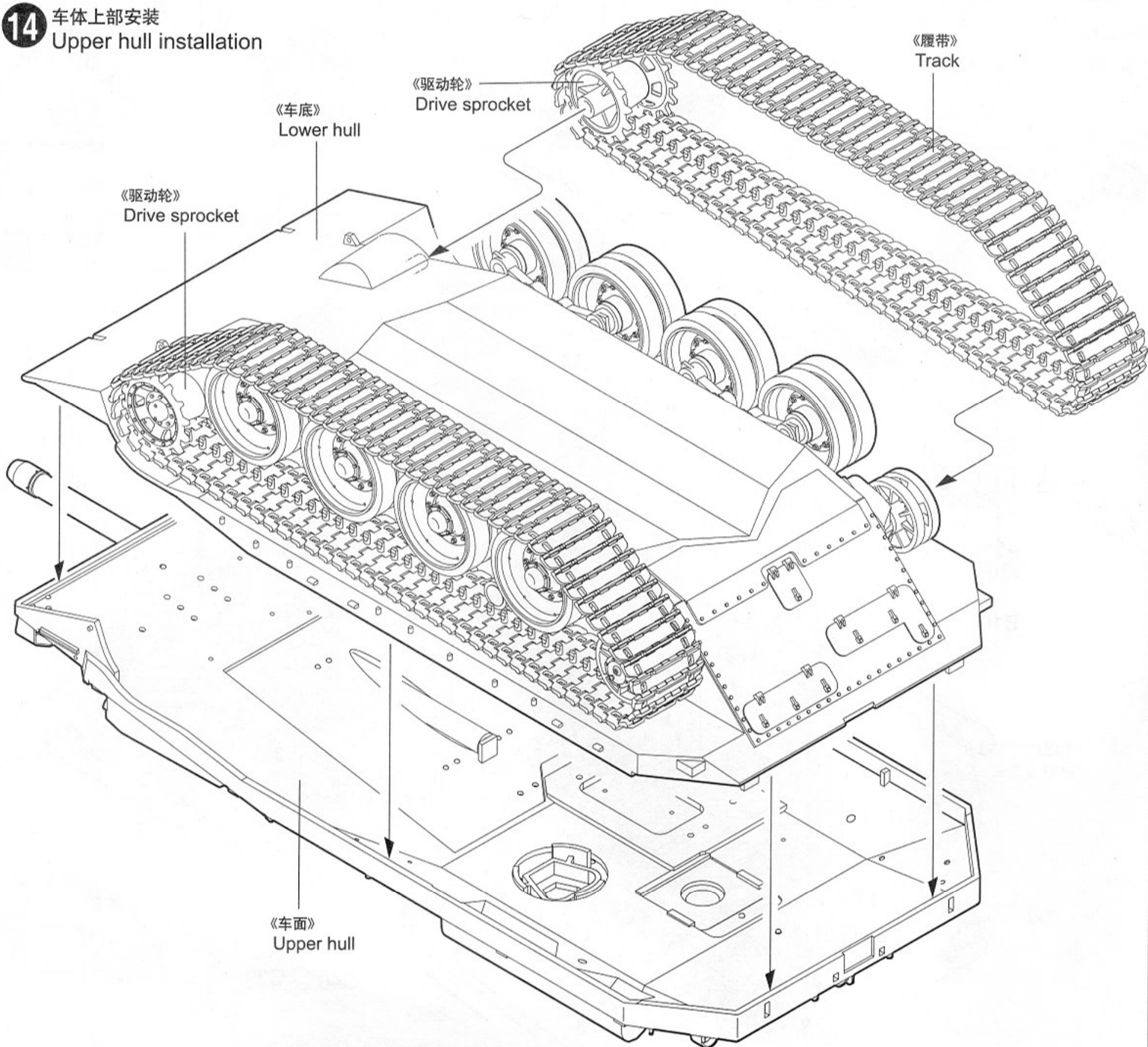
★加热浇口, 拉线冷却, 冷却后剪成所需长度。
Heat sprue as shown, remove from flame and stretch allow to cool and cut to required length.

13 履带联接
Track construction

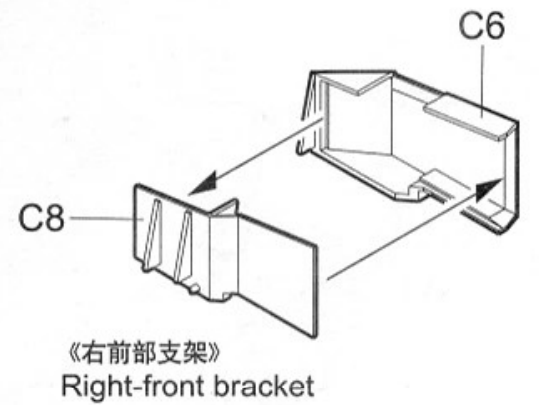
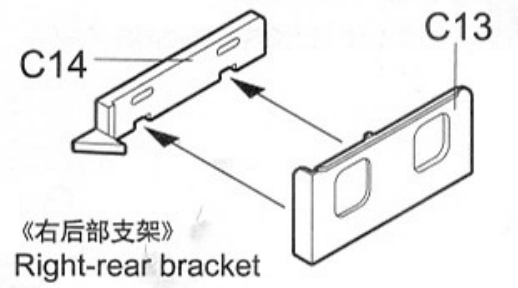
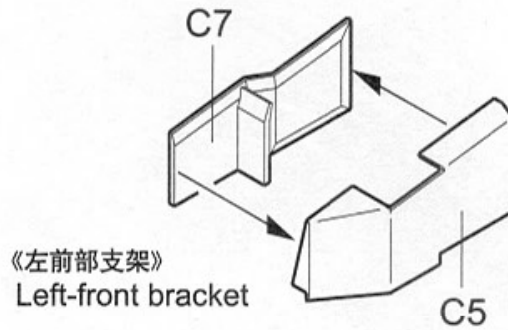
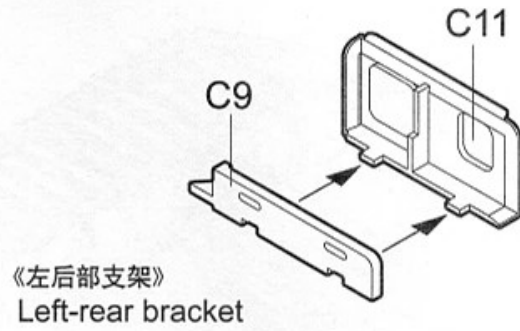
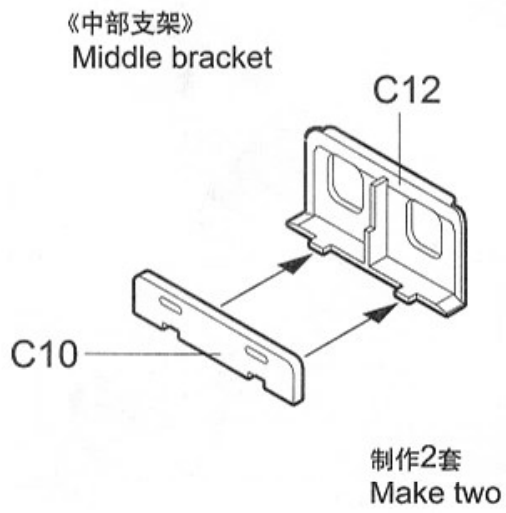
定位好履带后加热软化接头并压紧;
如果履带断裂,用细铜丝连接固定。
Melt pin heads carefully with a heated nail etc.
Immediately press pin heads with your finger;
If track is broken strengthen with staples or thread.



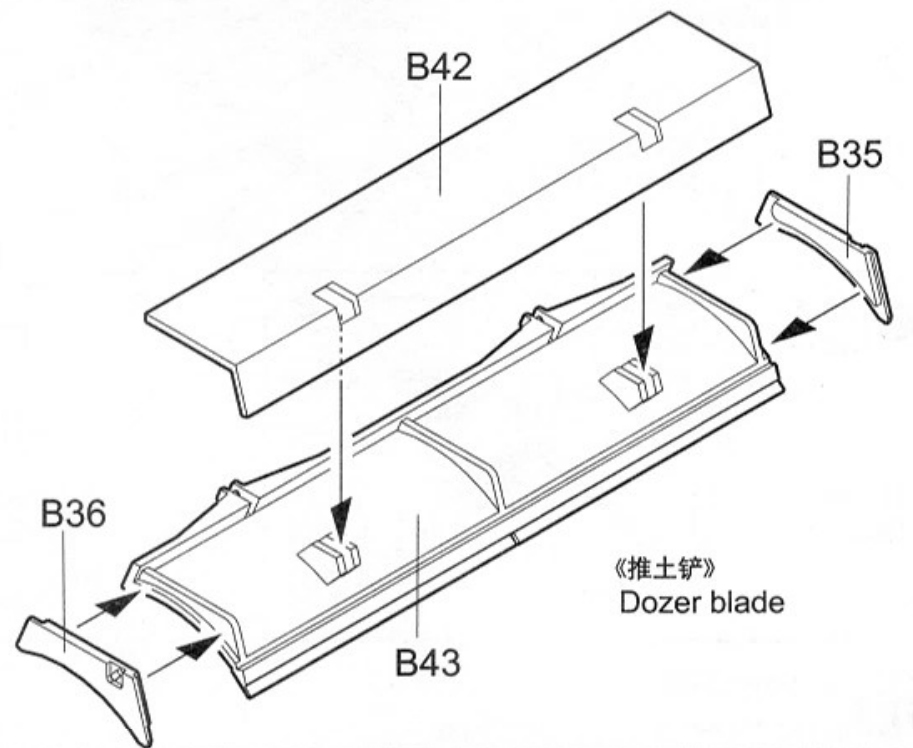
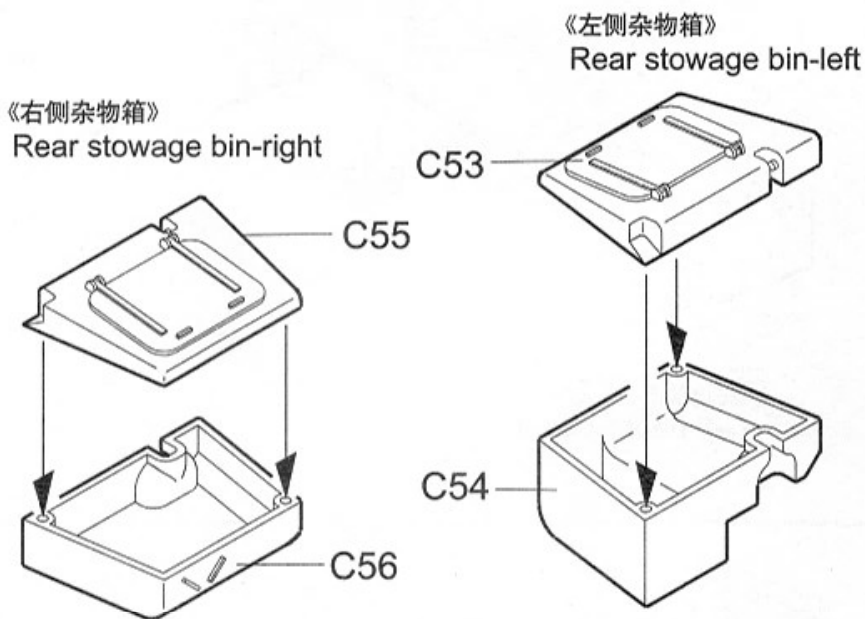
14 车体上部安装
Upper hull installation



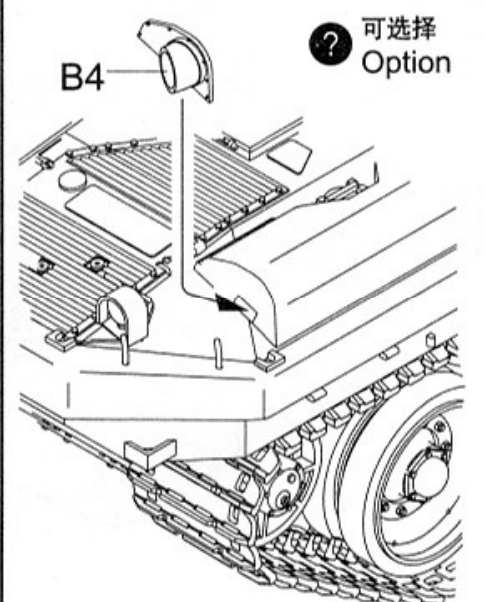
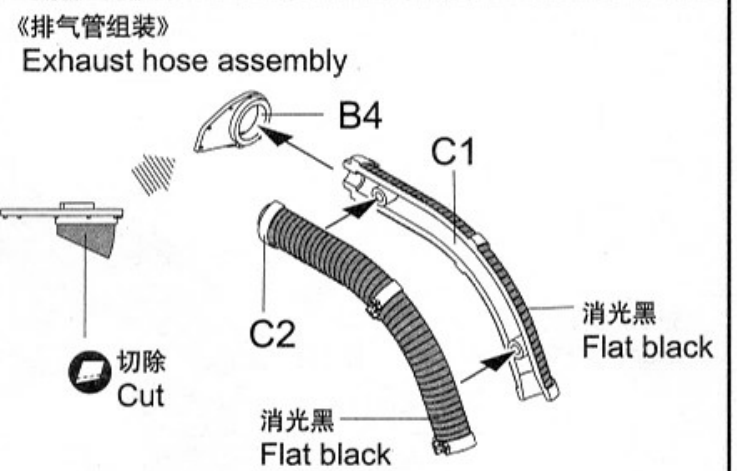
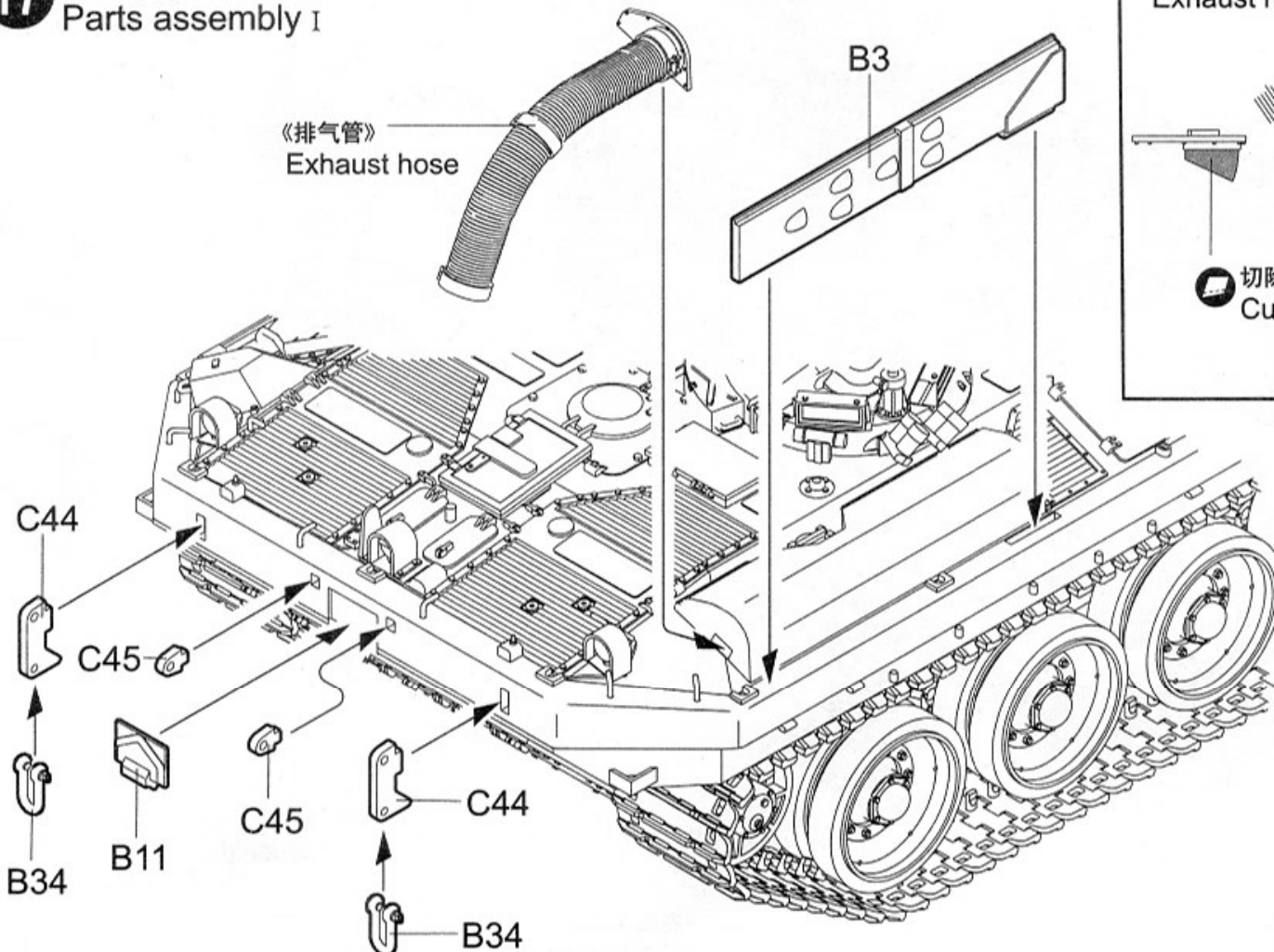
15 车体组件组装 I
Discreteness assembly I



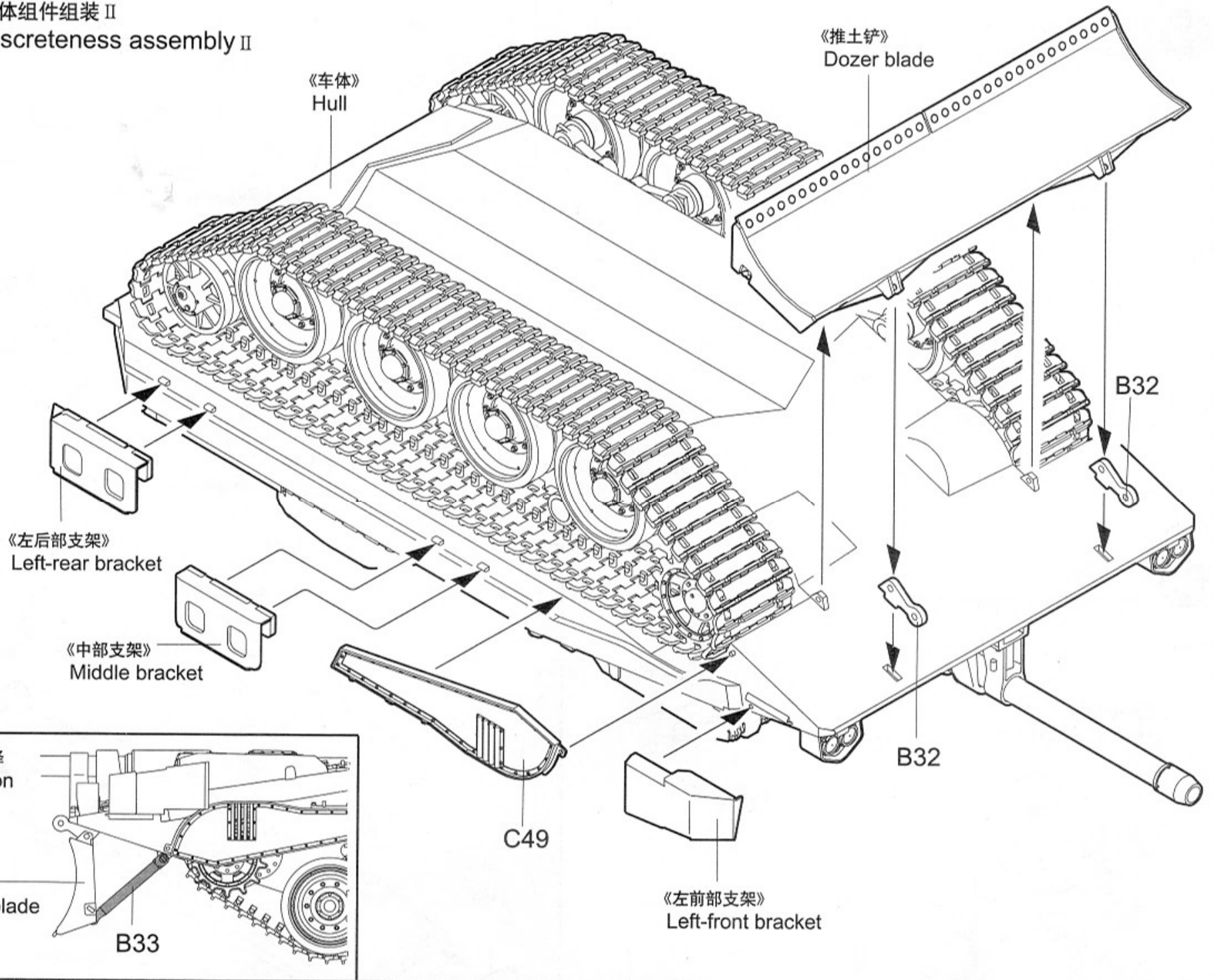
16 车体组件组装
Discreteness assembly



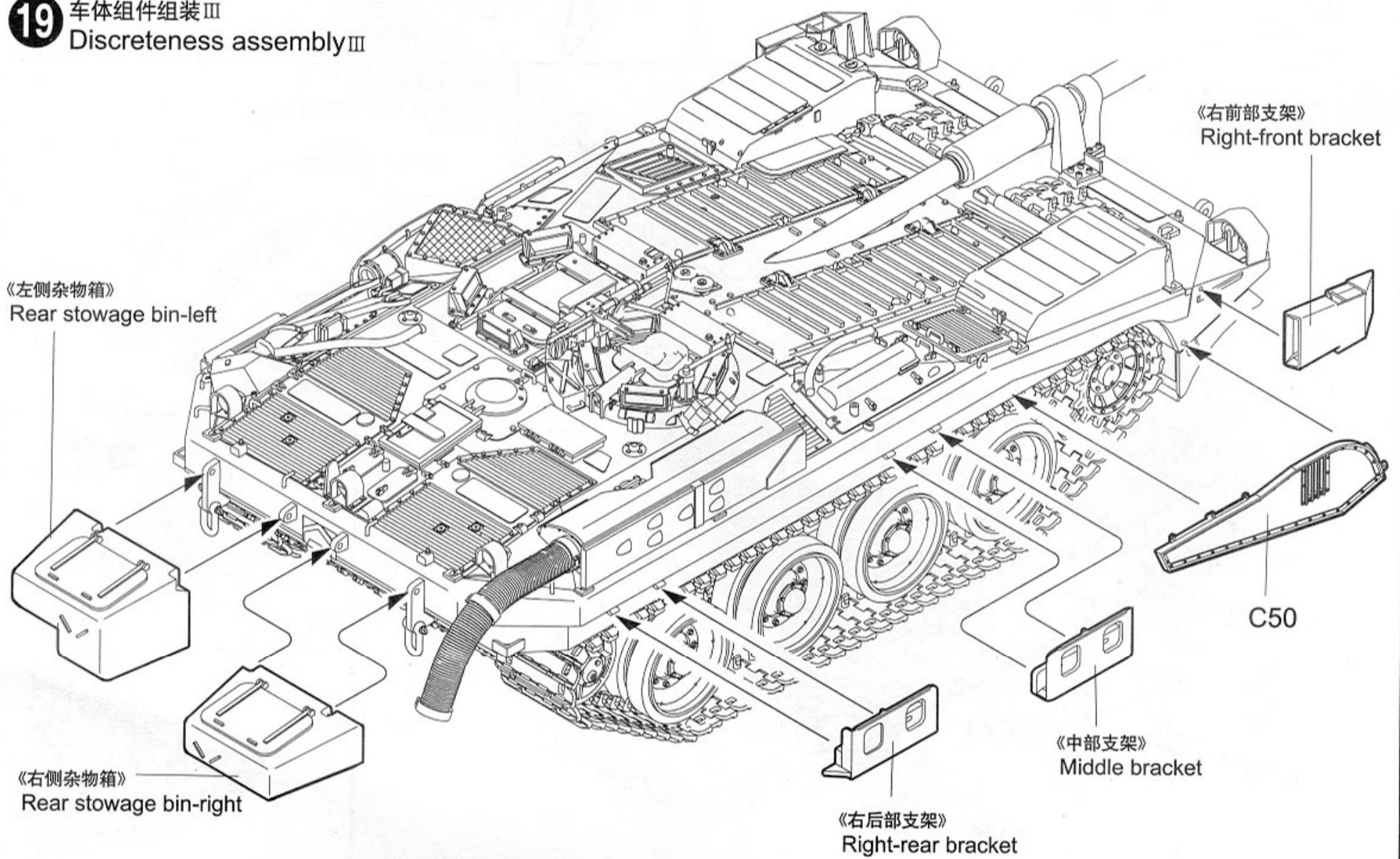
17 车体零件组装 I
Parts assembly I



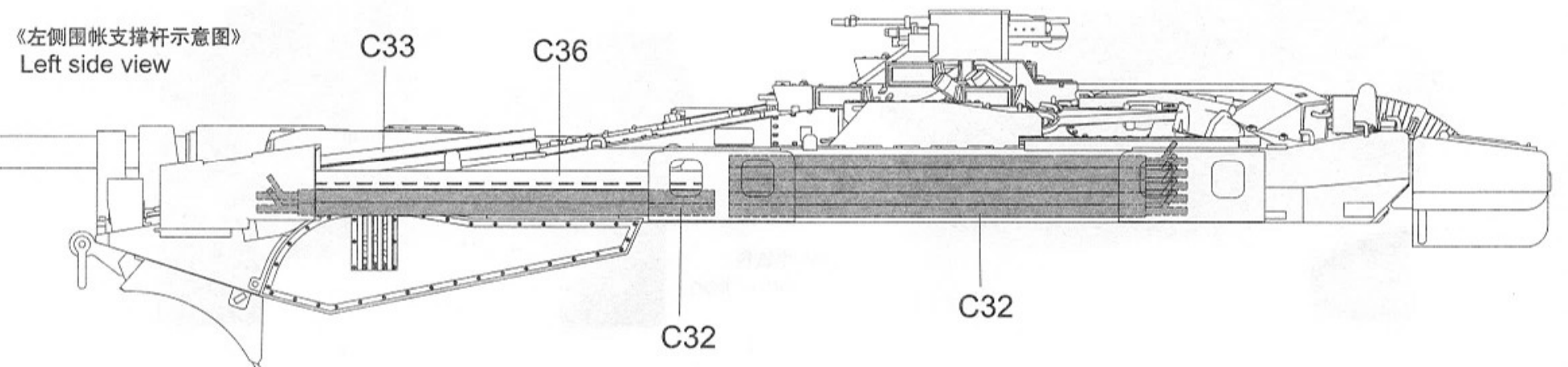
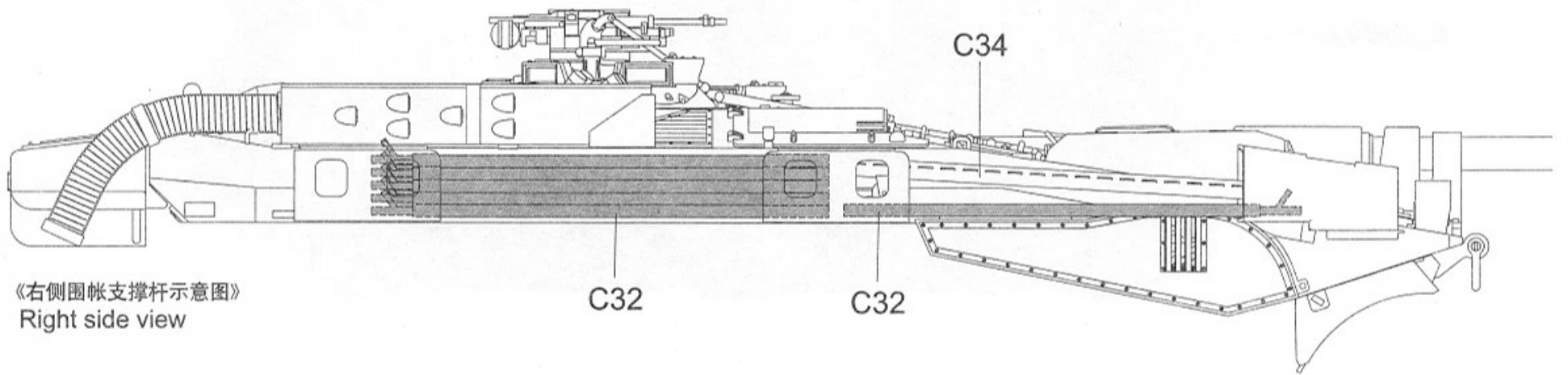
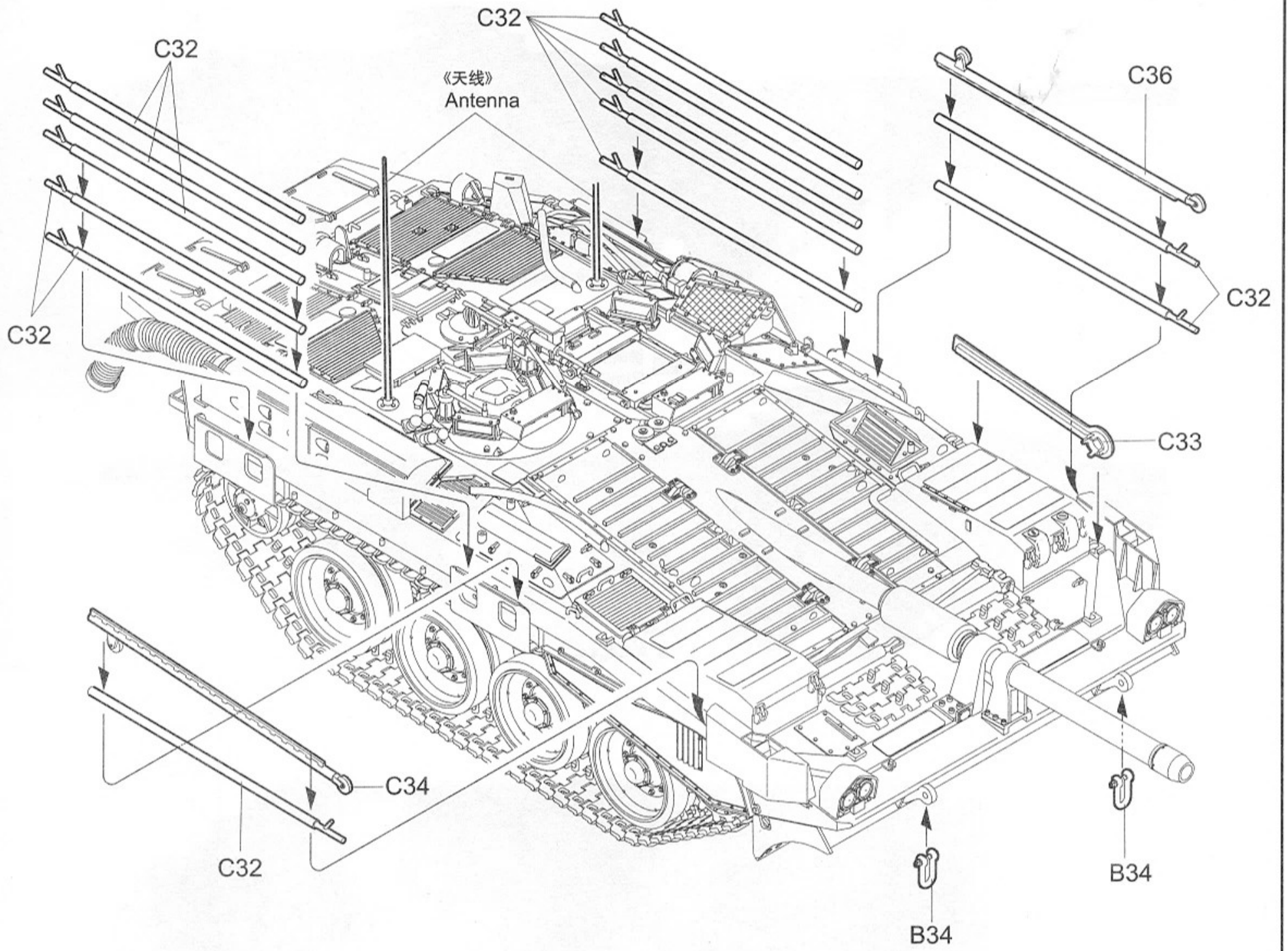
18 车体组件组装 II
Discreteness assembly II



19 车体组件组装 III
Discreteness assembly III



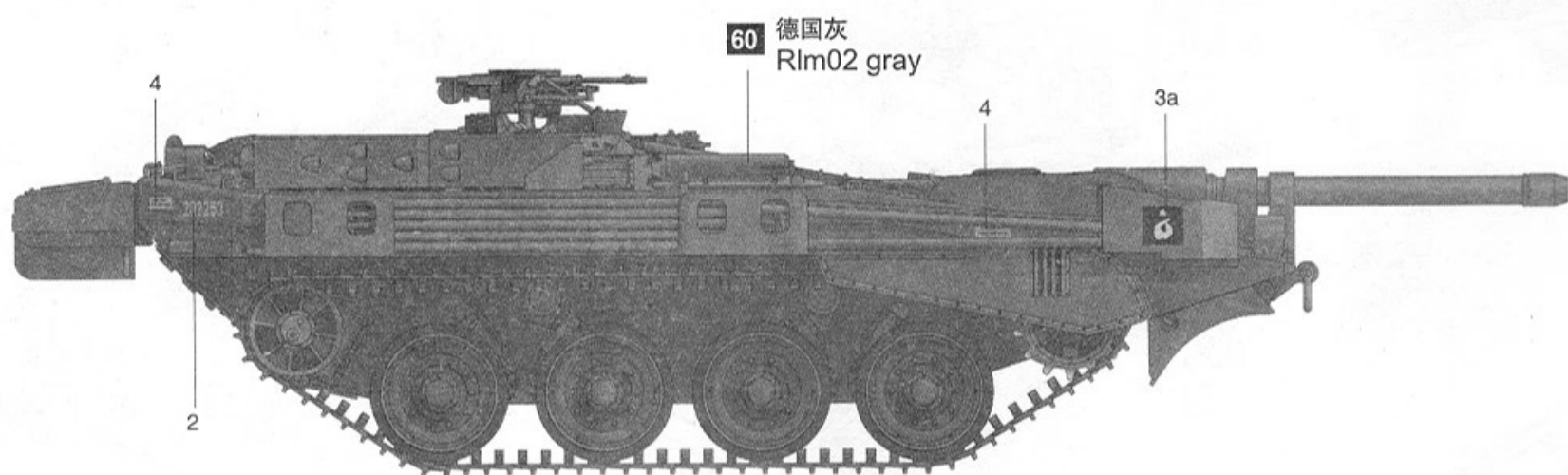
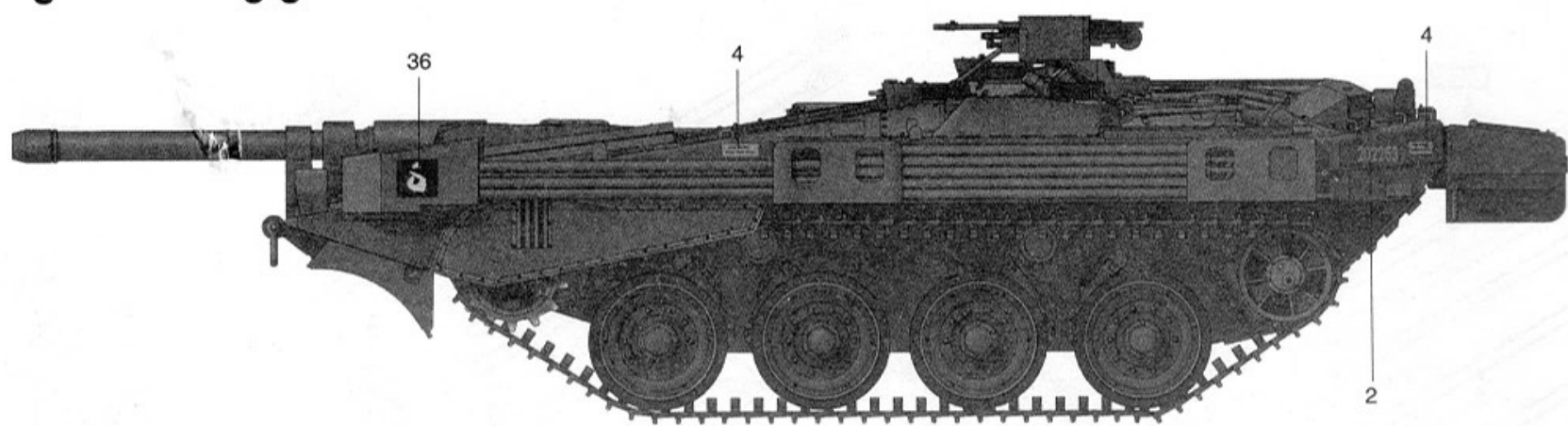
20 车体零件组装IV
Parts assembly IV



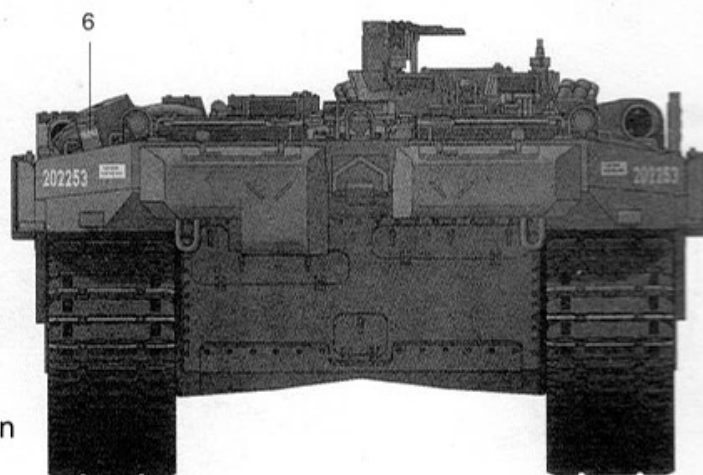
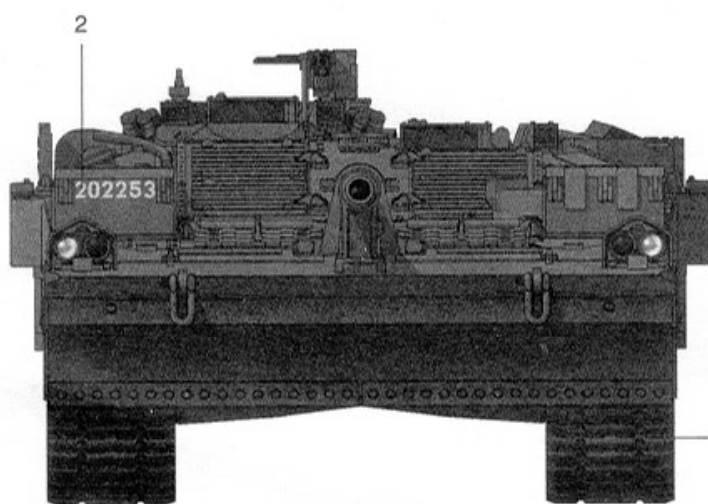
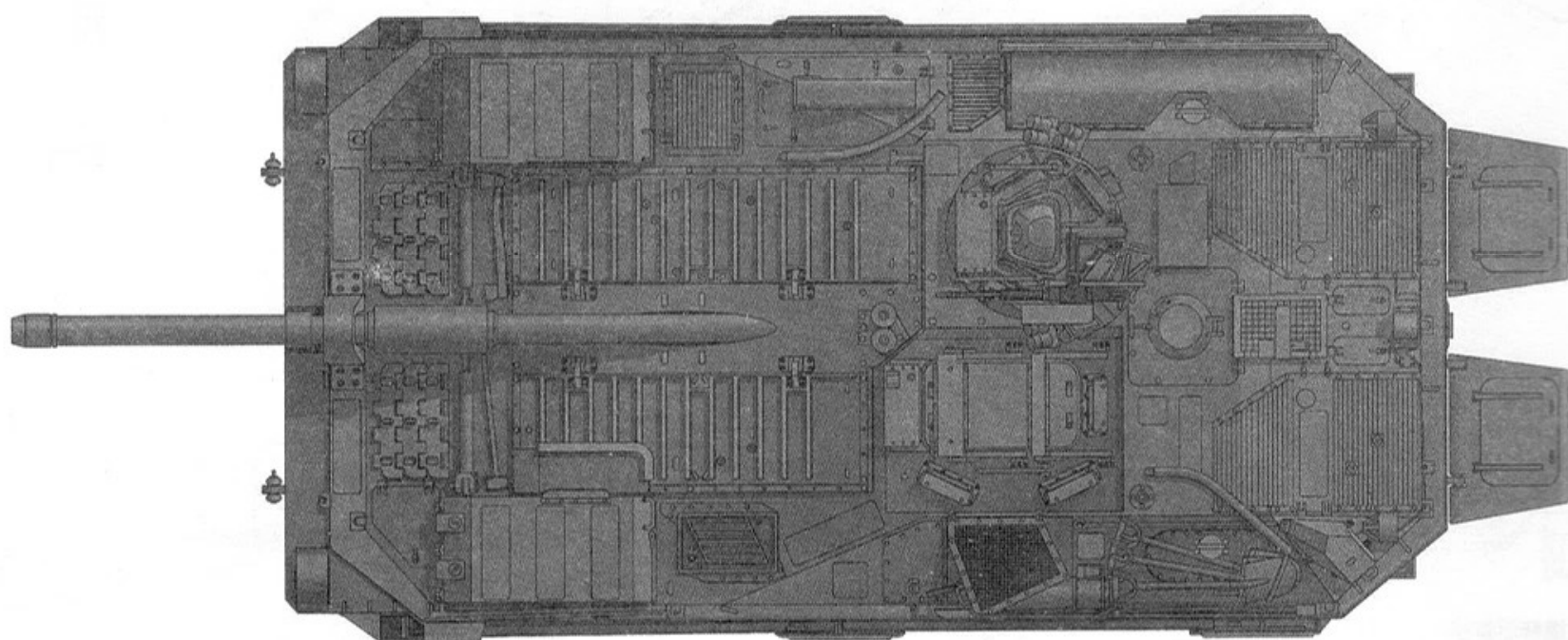
涂装同标贴指示
Painting & Marking guide

郡仕色使用

Gunze Mr. color used



60 德国灰
R1m02 gray



61 烧铁色
Brunt iron