

F-100F Super Sabre

F-100F “超佩刀” 战斗机

READ BEFORE ASSEMBLY:

- Study and understand these instructions thoroughly before beginning assembly
- When needed, remove photo-etch parts carefully using a modeling knife or photo etch sprue cutter, being careful not to damage or lose small parts.
- Take extra care in handling photo etch parts in order to avoid injury
- Apply instant cement sparingly to photo etch parts where instructed
- Tools recommended(not included in kit):Plastic and instant cements, sprue cutters,long nose pliers,modeling knife, small files, tweezers, pin vise & scissors. Soft cloth and sandpaper will also assist in construction
- Glue and paint are not included in the kit. Use plastic cement and hobby paints only. Color guide for purchasing paint is included in the kit.

装配之前仔细阅读

- 小心用模型锉刀锉平所有零件表面的注射浇口。
- 小心用刀片切下蚀刻片零件，不要遗失小零件。
- 用强力快干胶水粘合蚀刻片零件和金属轴。过量快干胶水使用可能导致可动零件会粘住，小心涂胶。
- 取蚀刻片时应特别注意安全，防止利边划伤手指。
- 某些零件表面需贴上水贴纸，请选择在装配的同时进行。
- 推荐模型工具(自备)：胶水，水口剪刀，长咀钳，刀片，锉刀，镊子，钳，钻，剪刀，瞬间快干胶。
- 软布同砂纸同时也应该是必备工具。
- 请使用塑料胶水和油漆，模型内不含。



配重
Weight



使用强力胶
Cyanoacrylate glue



钻孔
Make hole



切除
Cut / Remove



贴纸
Decal



锉平
File / Sand



选择
Option



不涂胶水
No cement



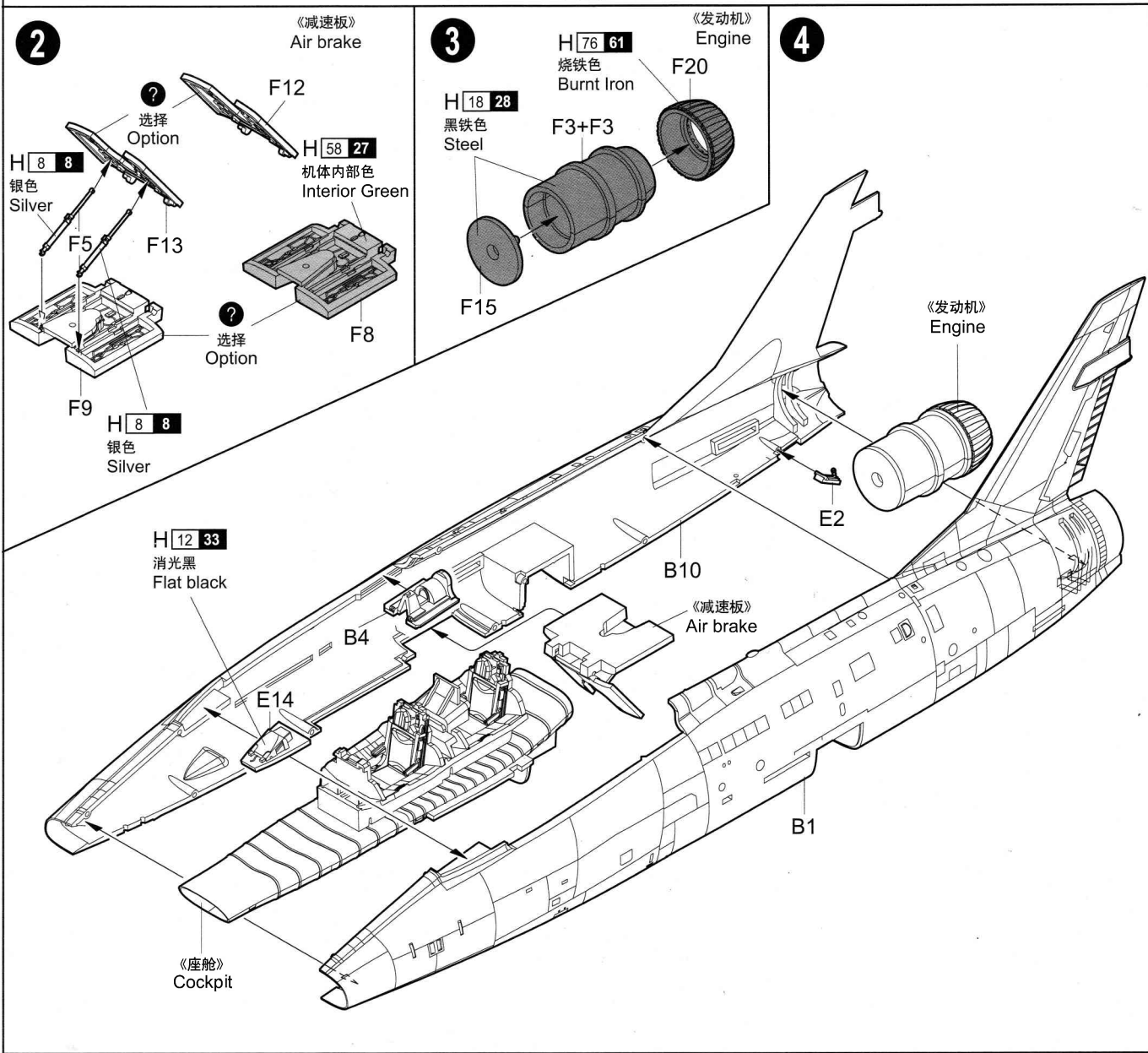
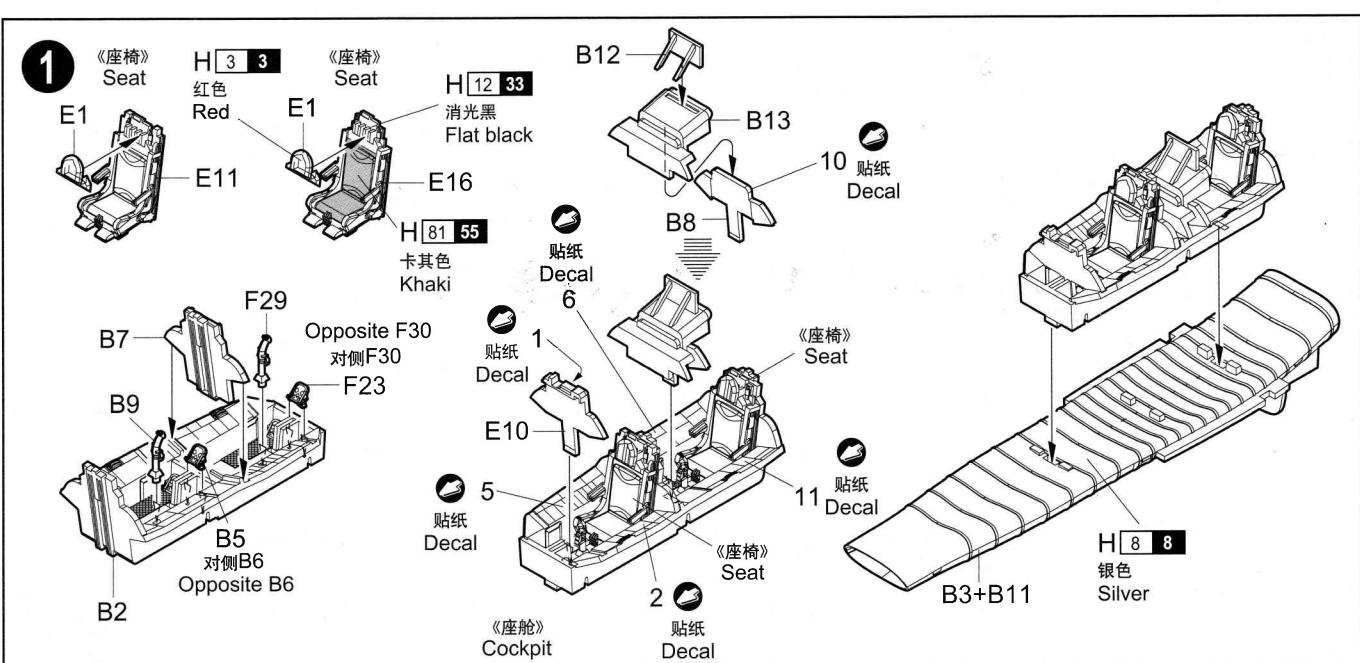
弯曲
Bend

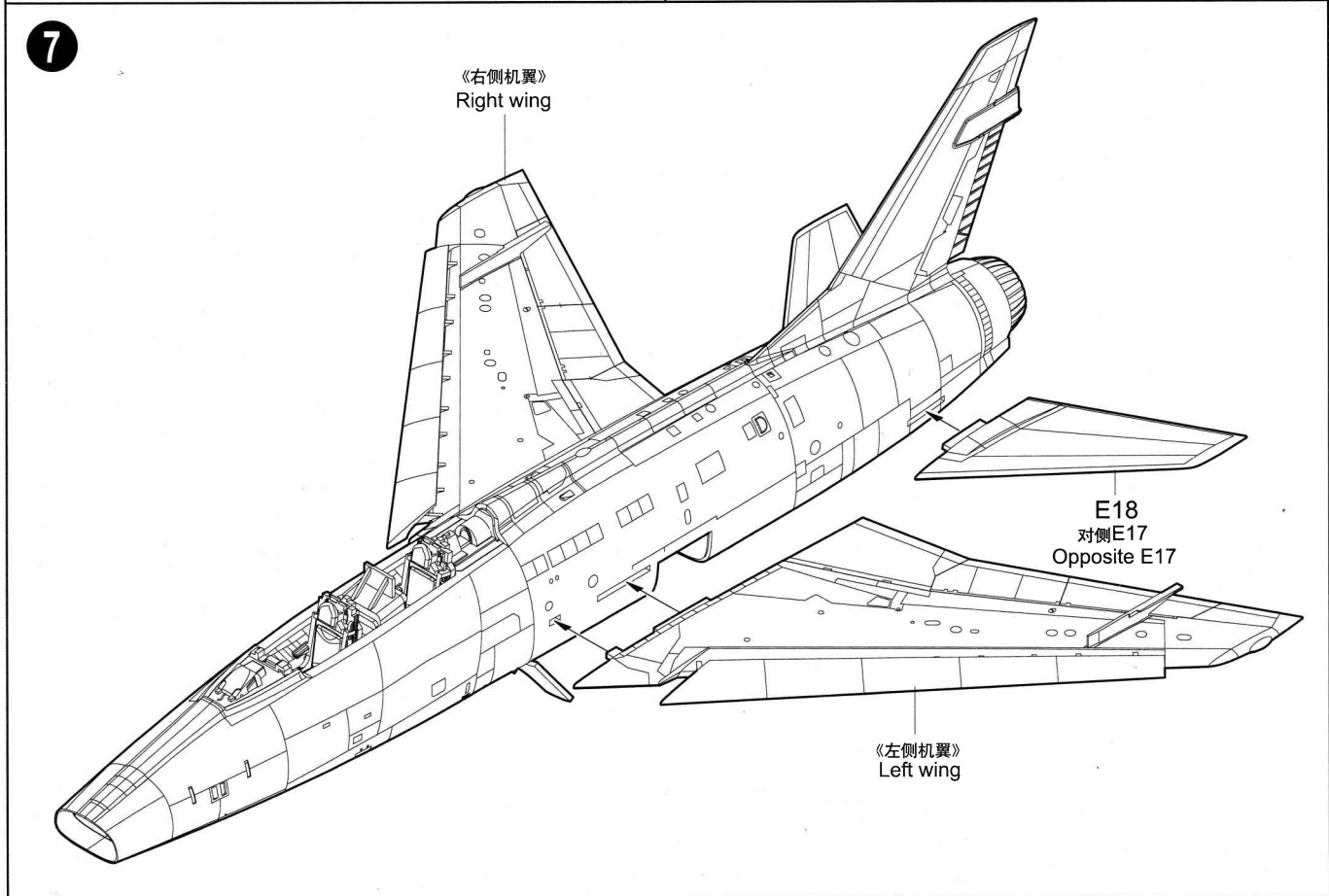
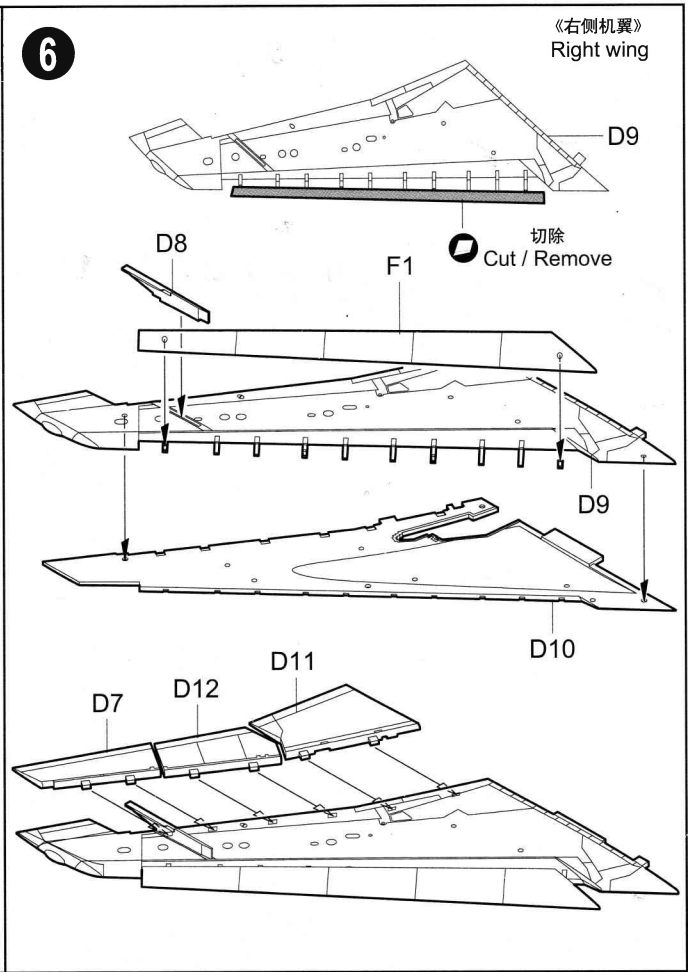
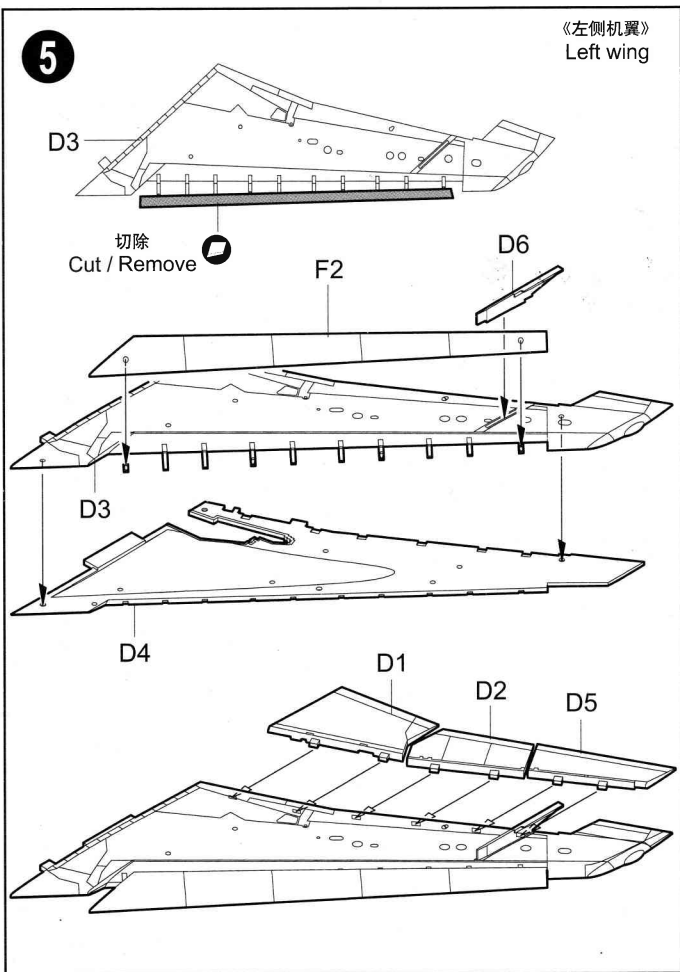
水贴纸的使用:

- 1.从水贴上剪下印花;
- 2.将印花放入温水中浸10秒, 然后放在干净布上。
- 3.拿着印花纸板将印花移到模型上;
- 4.手指蘸水将印花移到适当的位置;
- 5.用软布轻压印花直至水干, 汽泡消失

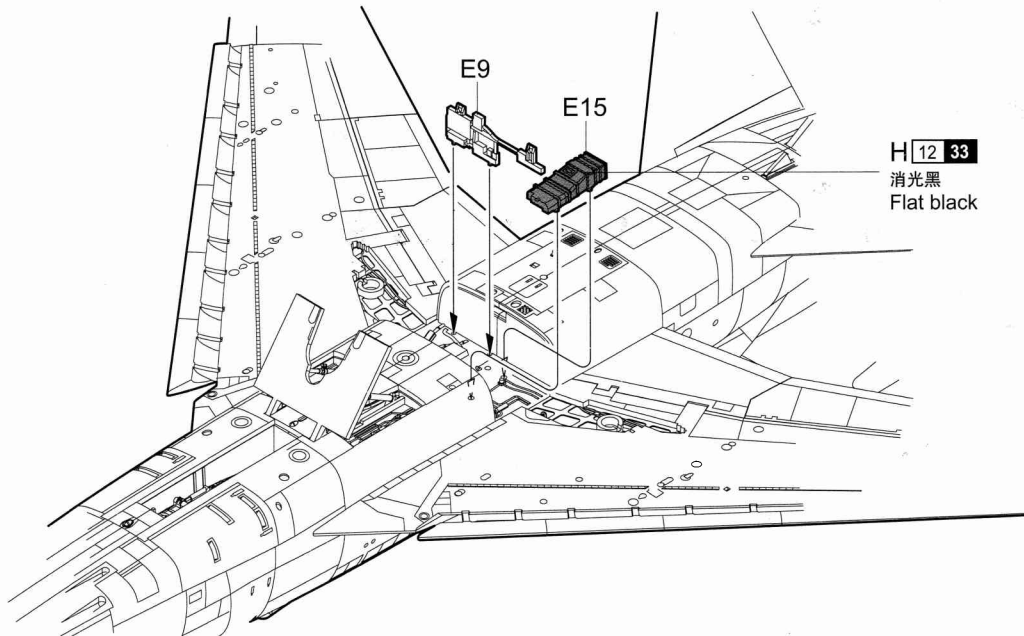
DECAL APPLICATION

- 1.Cut decals from sheet as needed
- 2.Dip the decal in warm water for about 10 seconds and then place on soft clean cloth.
- 3.Hold the decal backing sheet edge and gently slide the decal onto the model in its proper position.
- 4.While still wet,decal can be adjusted for better fit on model by dampening it gently with your finger.
- 5.When placed in the proper position,gently press decal down with a soft cloth until excess water and air bubbles are gone.
- 6.Allow decal to dry completely before handling model

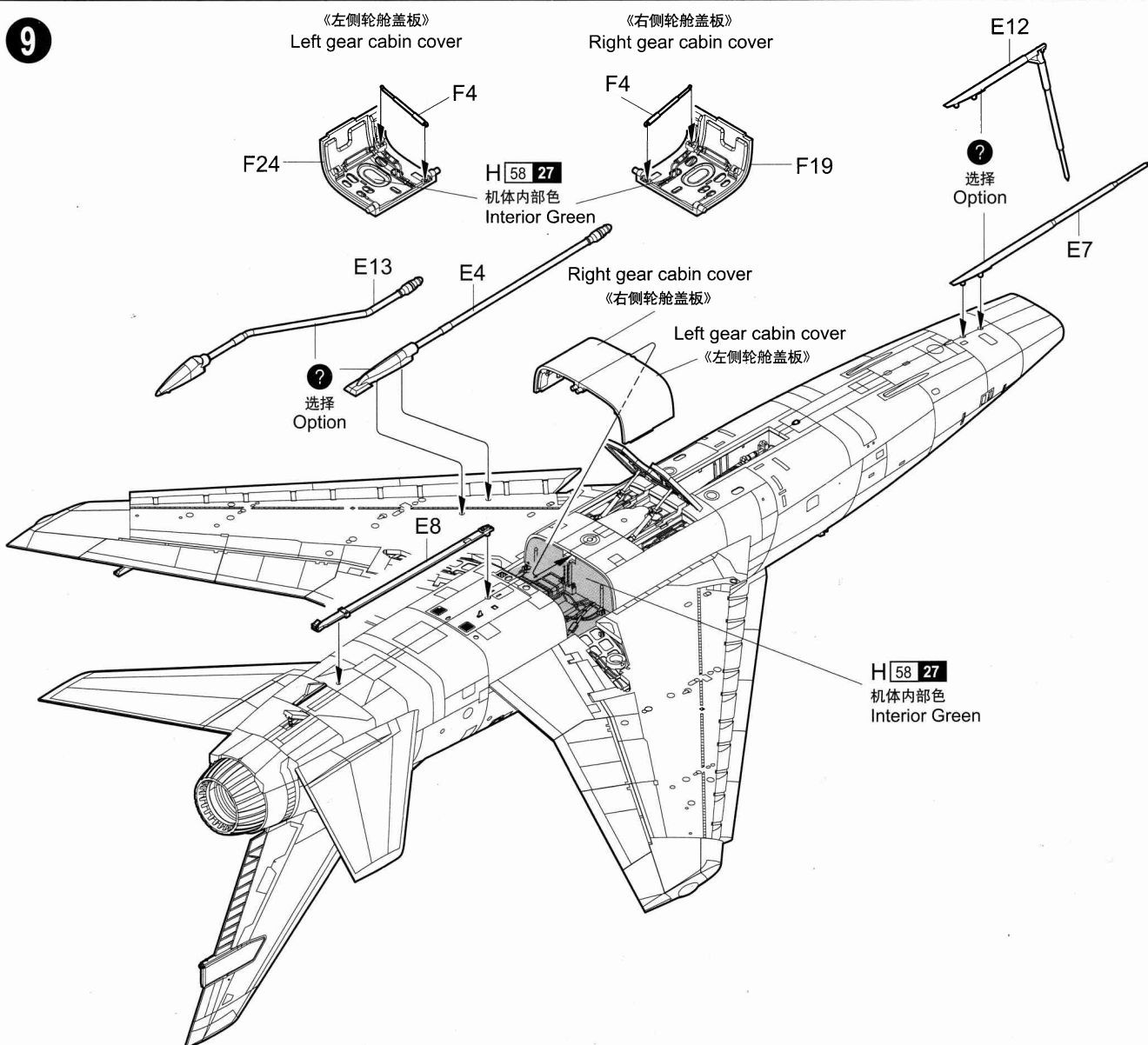




8

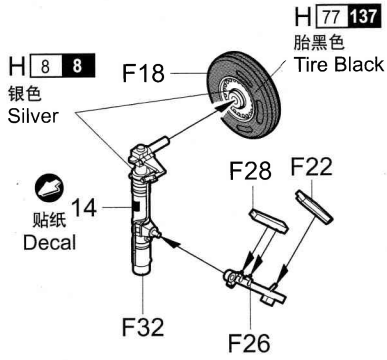


9



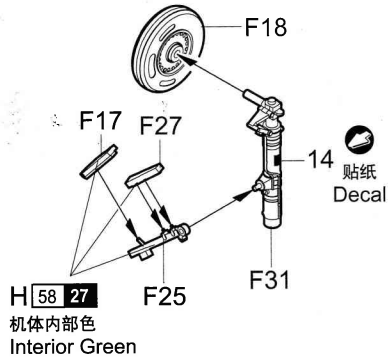
10

《左侧起落架》
Left undercarriage



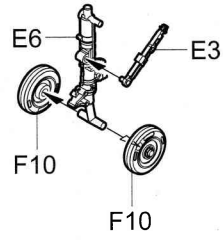
11

《右侧起落架》
Right undercarriage

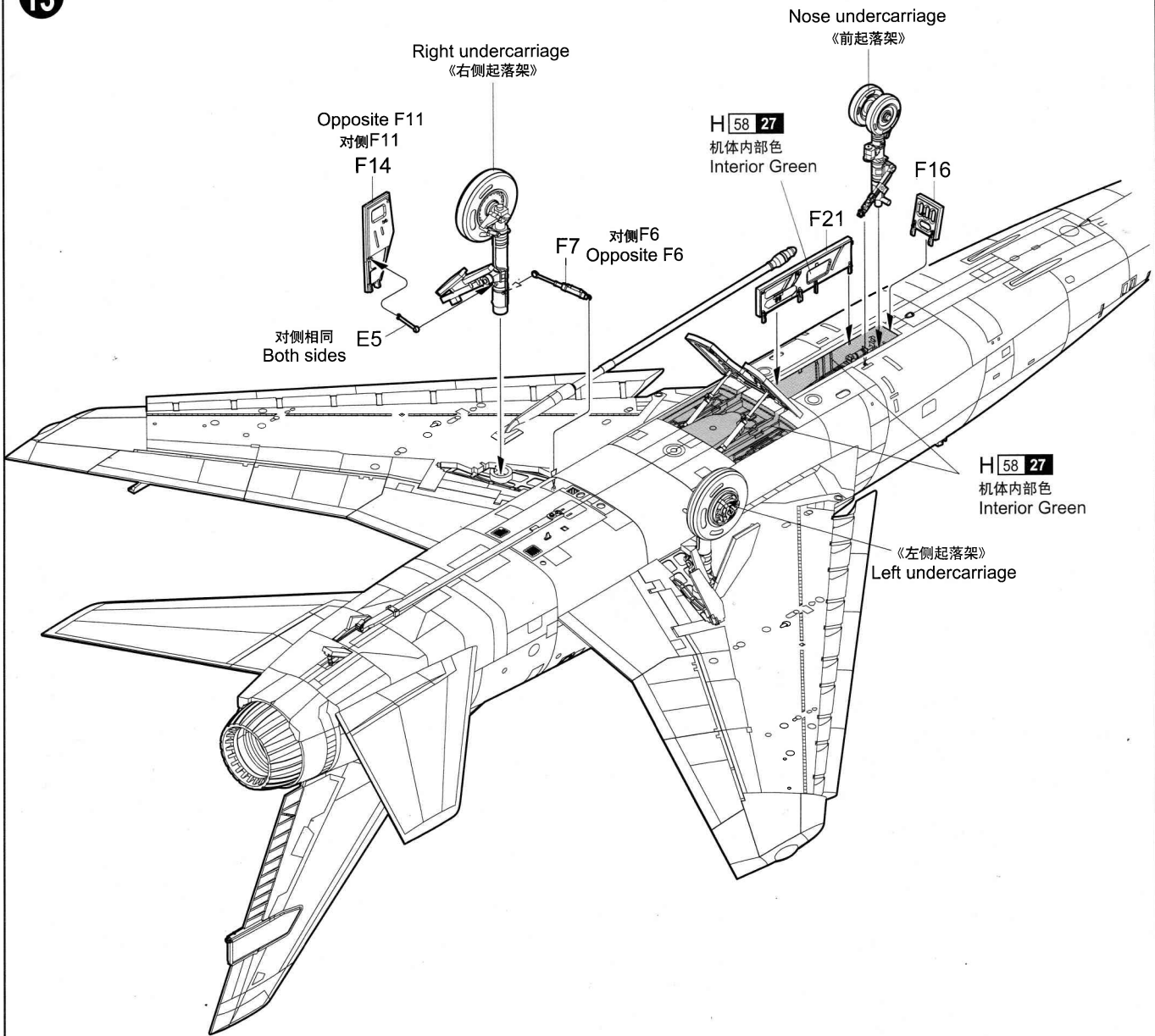


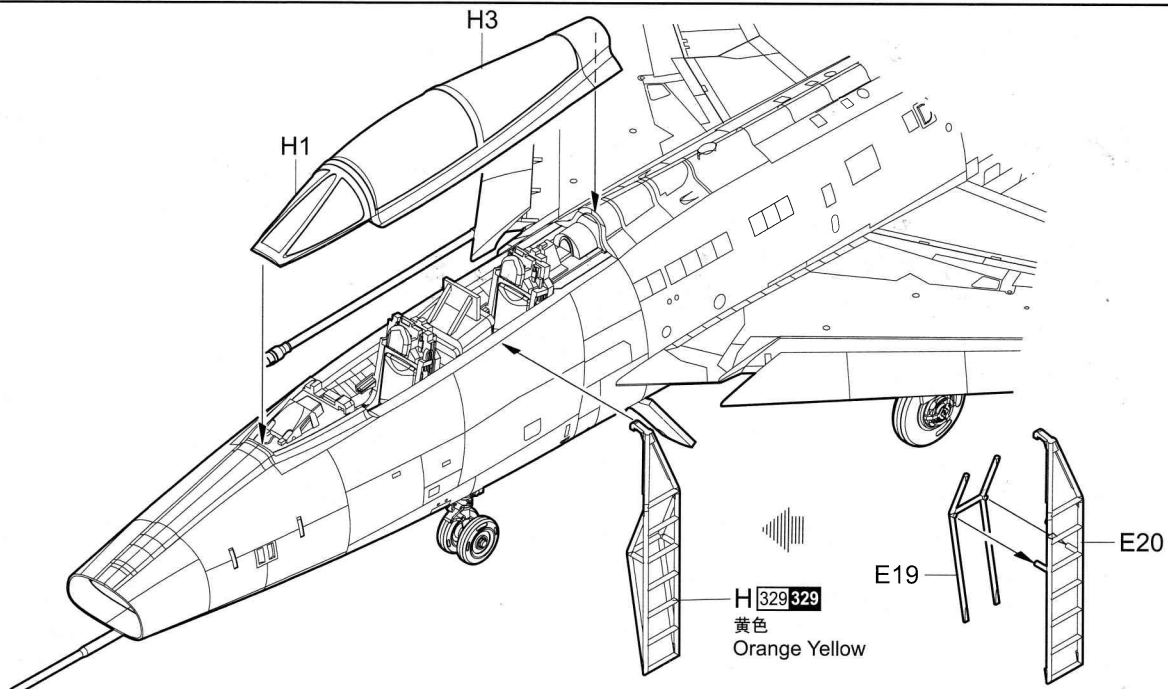
12

《前起落架》
Nose undercarriage

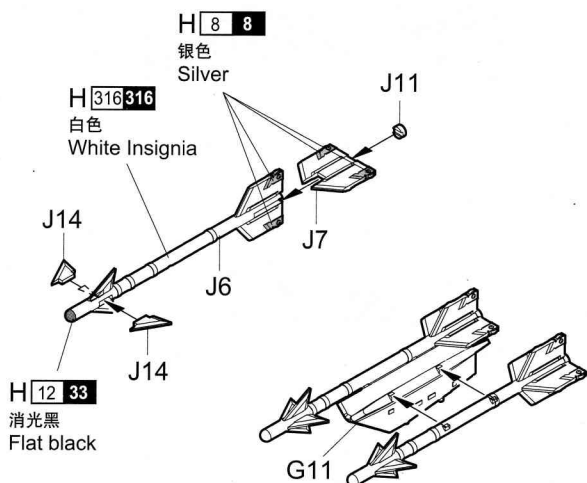


13

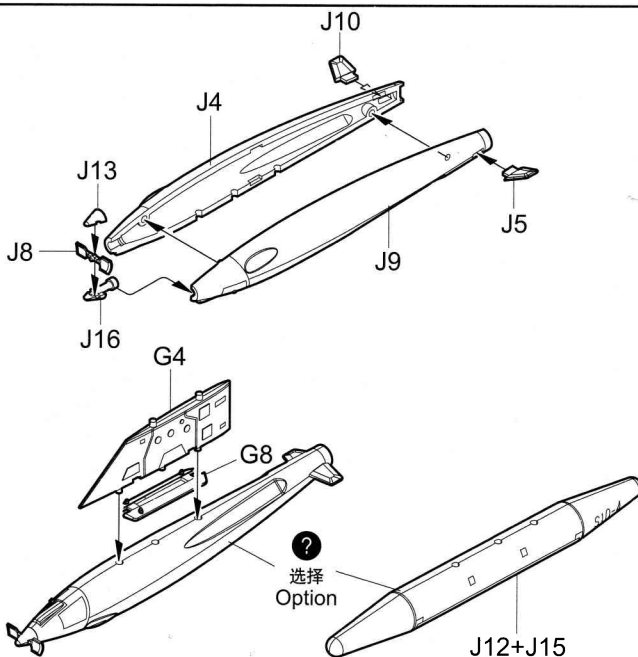




《AIM-9D》

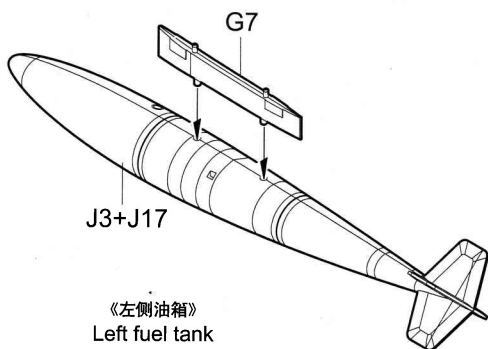


制作两组
Make two

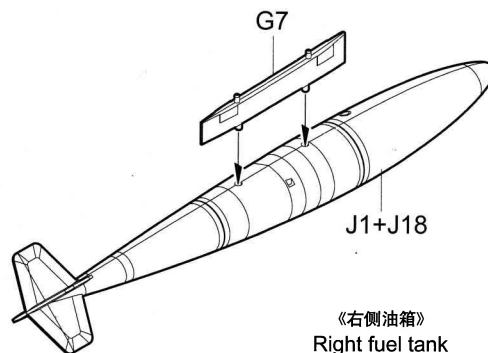


《ALQ-31》

《Practice Bomb》

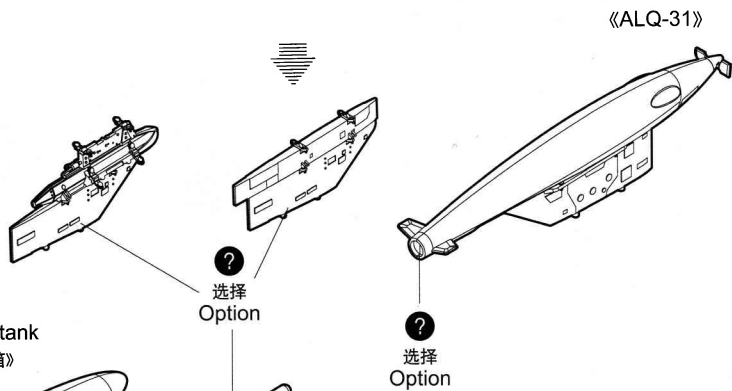
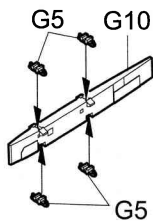
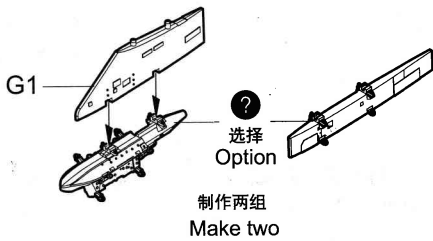
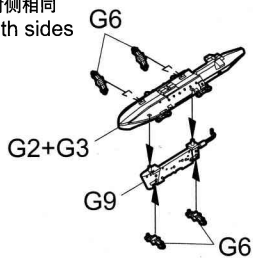


《左侧油箱》
Left fuel tank



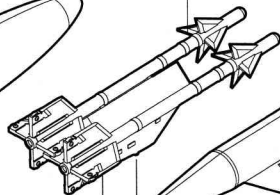
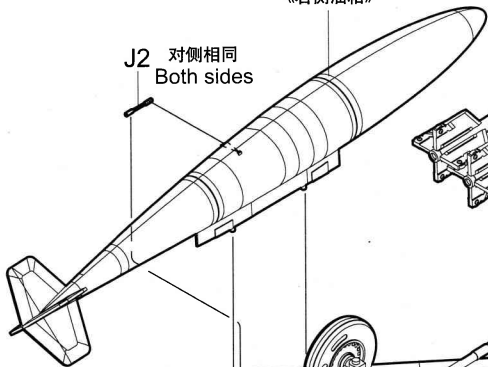
《右侧油箱》
Right fuel tank

对侧相同
Both sides

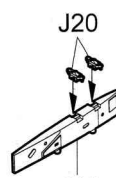


Right fuel tank
《右侧油箱》

J2 对侧相同
Both sides



《左侧油箱》
Left fuel tank

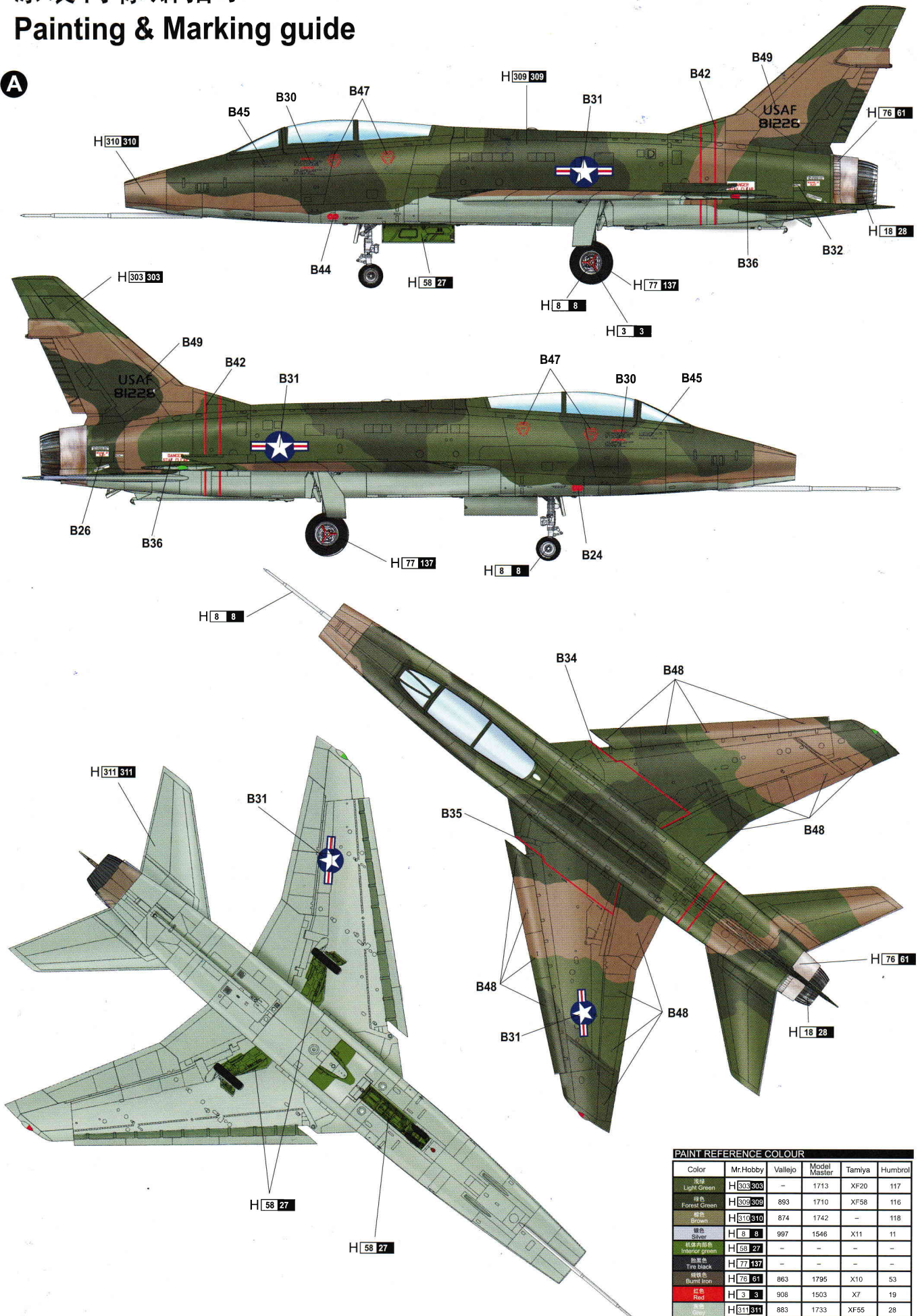


制作两组
Make two

对侧相同
Both sides

涂装同标贴指示 Painting & Marking guide

A

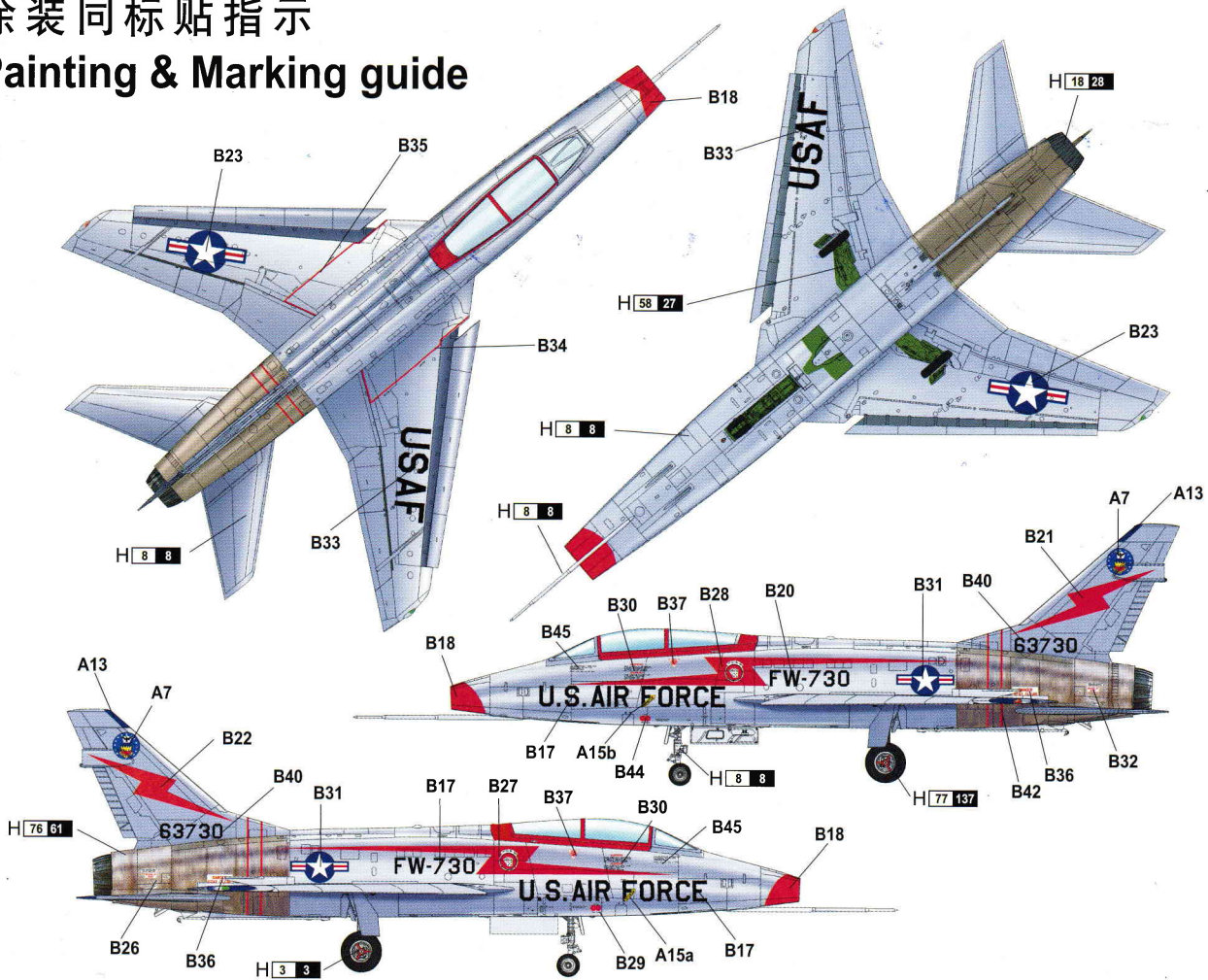


PAINT REFERENCE COLOUR					
Color	Mr.Hobby	Vallejo	Model Master	Tamiya	Humbrol
浅绿色 Light Green	H 303 303	—	1713	XF20	117
绿色 Forest Green	H 309 309	893	1710	XF58	116
棕色 Brown	H 310 310	874	1742	—	118
银色 Silver	H 8 8	997	1546	X11	11
机身内部绿色 Interior green	H 58 27	—	—	—	—
黑色 Tire black	H 77 137	—	—	—	—
铁锈色 Rusted Iron	H 76 61	863	1795	X10	53
红色 Red	H 3 3	908	1503	X7	19
灰色 Grey	H 311 311	883	1733	XF55	28

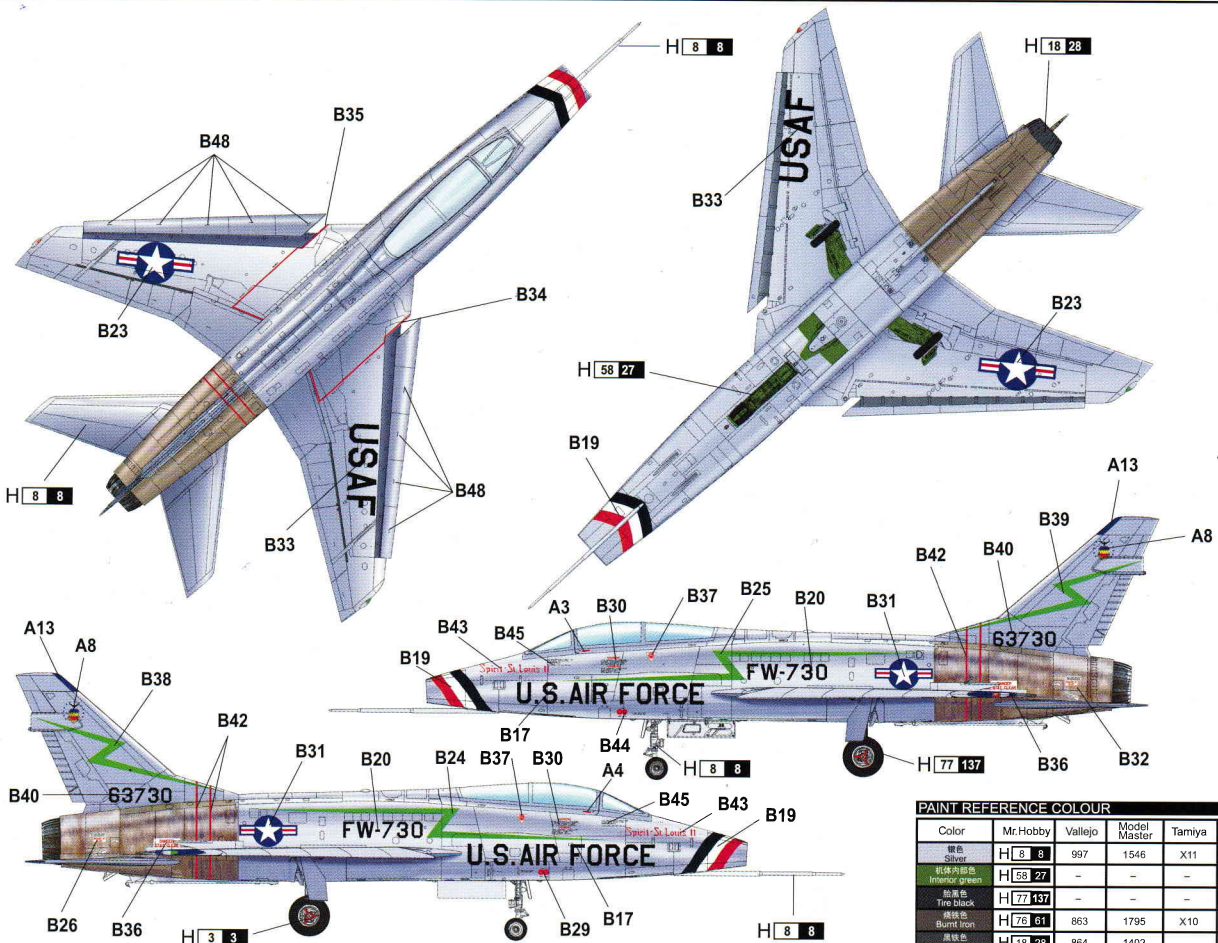
H AQUEOUS HOBBY COLOR ■ Mr. COLOR

涂装同标贴指示 Painting & Marking guide

B



C



PAINT REFERENCE COLOUR					
Color	Mr.Hobby	Vallejo	Model Master	Tamiya	Humbrol
银色 Silver	H 8 8	997	1546	X11	11
机体内绿色 Interior green	H 58 27	-	-	-	-
绿色 Green	H 77 137	-	-	-	-
轮胎黑 Tire black	H 76 61	863	1795	X10	53
喷漆 Burnt iron	H 76 61	863	1795	X10	53
黑铁色 Steel	H 18 28	864	1402	-	-
红色 Red	H 3 3	908	1503	X7	19

H (x) AQUEOUS HOBBY COLOR ■ Mr. COLOR