

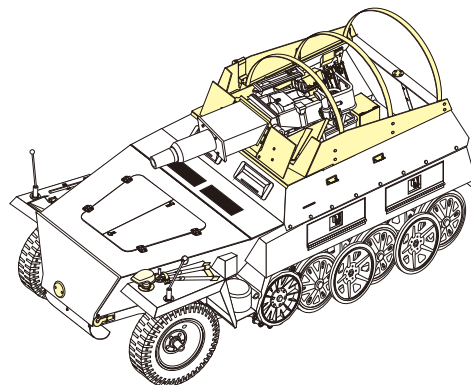
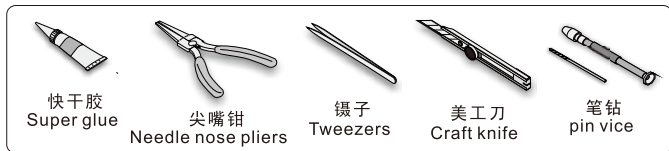
1/35 MILITARY MINIATURE VEHICLE UPGRADE SERIES PE35239

WWII German Sd.Kfz.250/8 Stummel

二战德军Sd.Kfz.250/8 75mm火力支援车

[For DRAGON 6425]

推荐使用工具 RECOMMENDED TOOLS



- 安装
install
- 折叠
bend
- A1**

改造件零件编号
PE/resin part number
- B12**

原零件编号
kit part number
- C22**

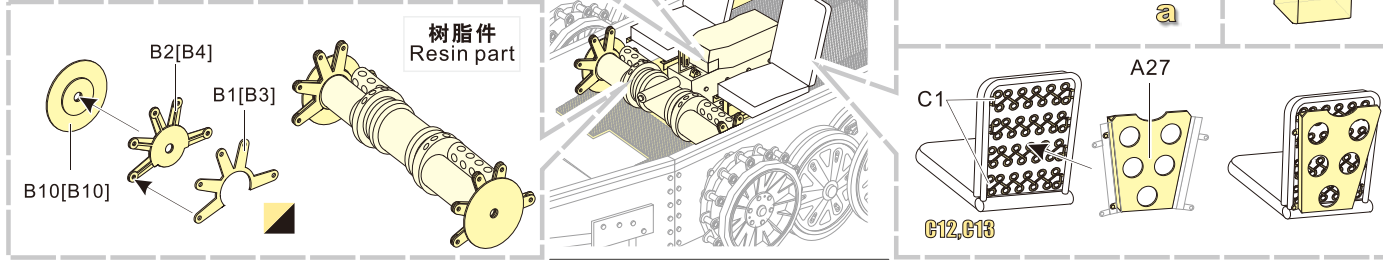
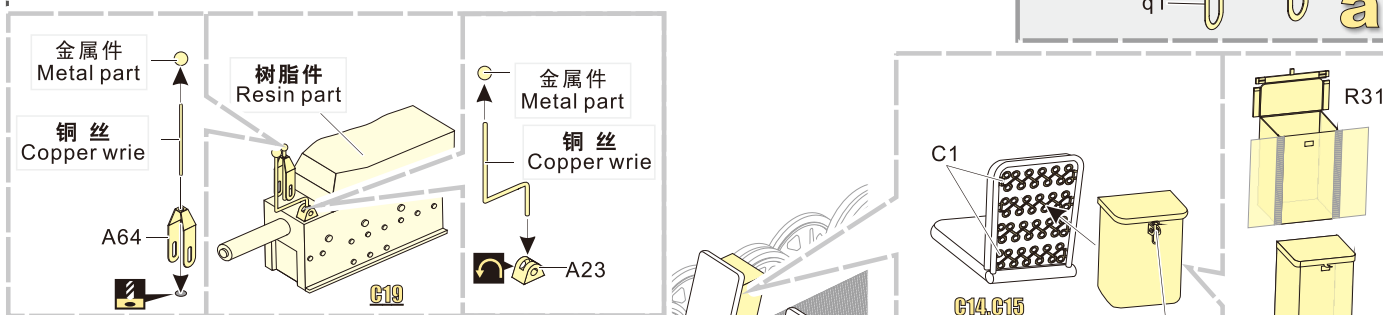
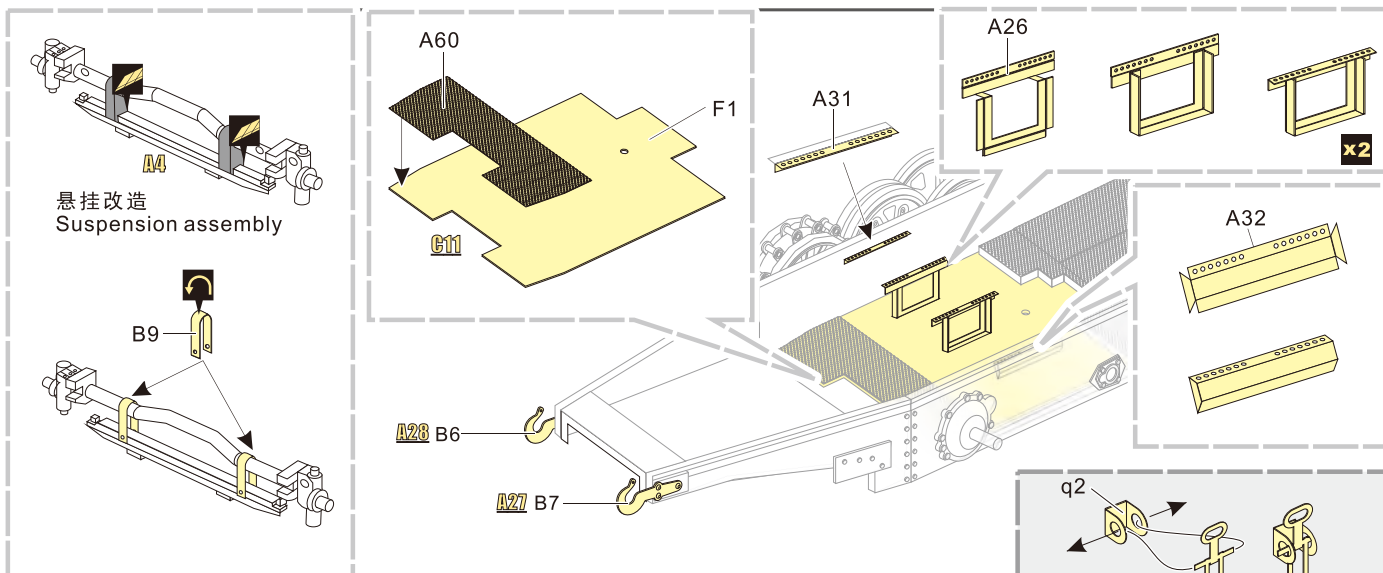
被替换的原零件编号
replaced kit part number
- 切除
remove
- 弧度卷曲
radial bending
- 打磨
grind off
- x2**

制作若干组
multiple assembly
- 另一侧相同制作
repeat on opposite side
- 选择安装
alternative
- 钻孔
drill
- 用胶棒制作
make from plastic rod
- 用铜管制作
make from brass tube

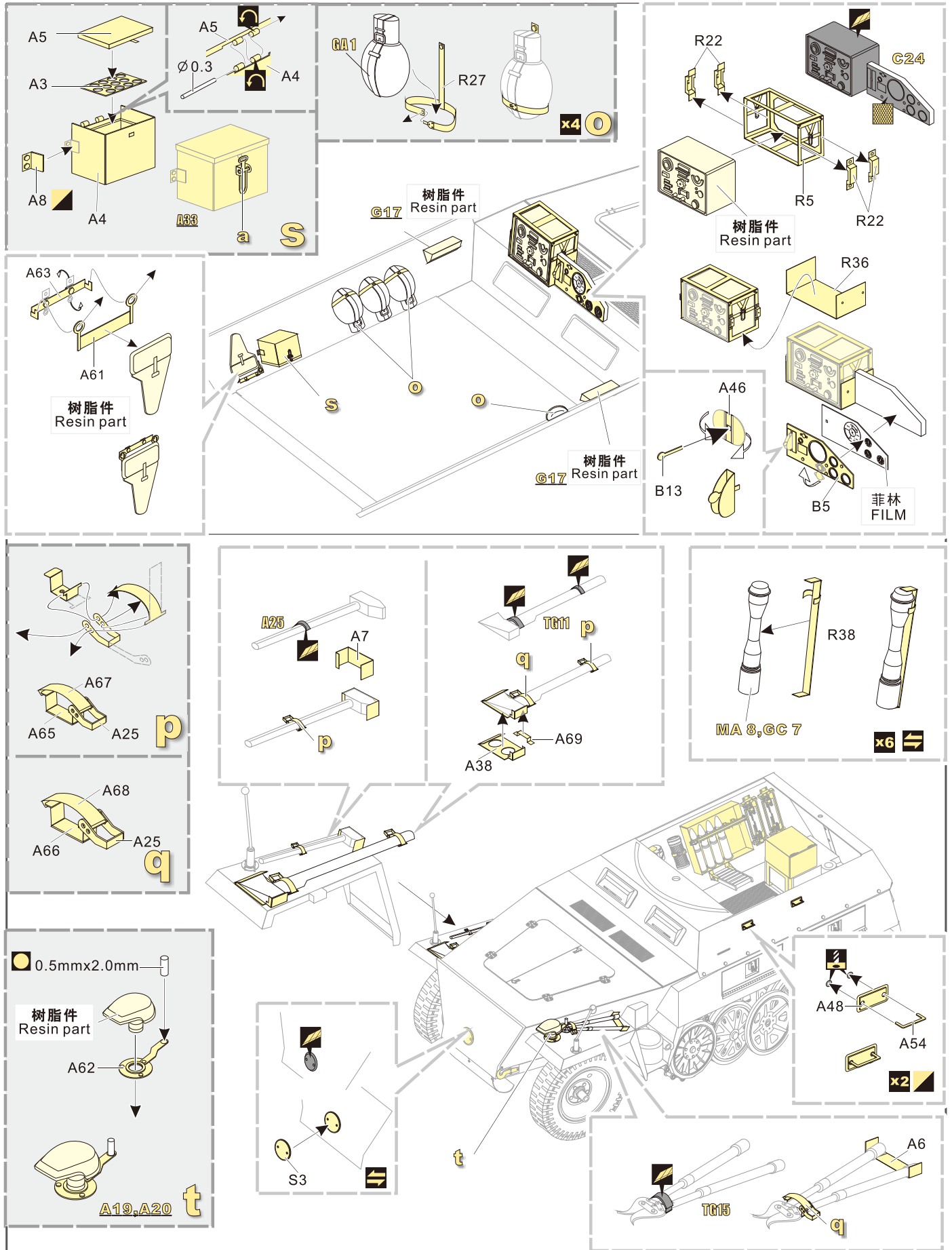
用尖端在凹槽处冲压
use penpoint to press on the dent

蚀刻片零件内侧面
PE part inboard side turn up

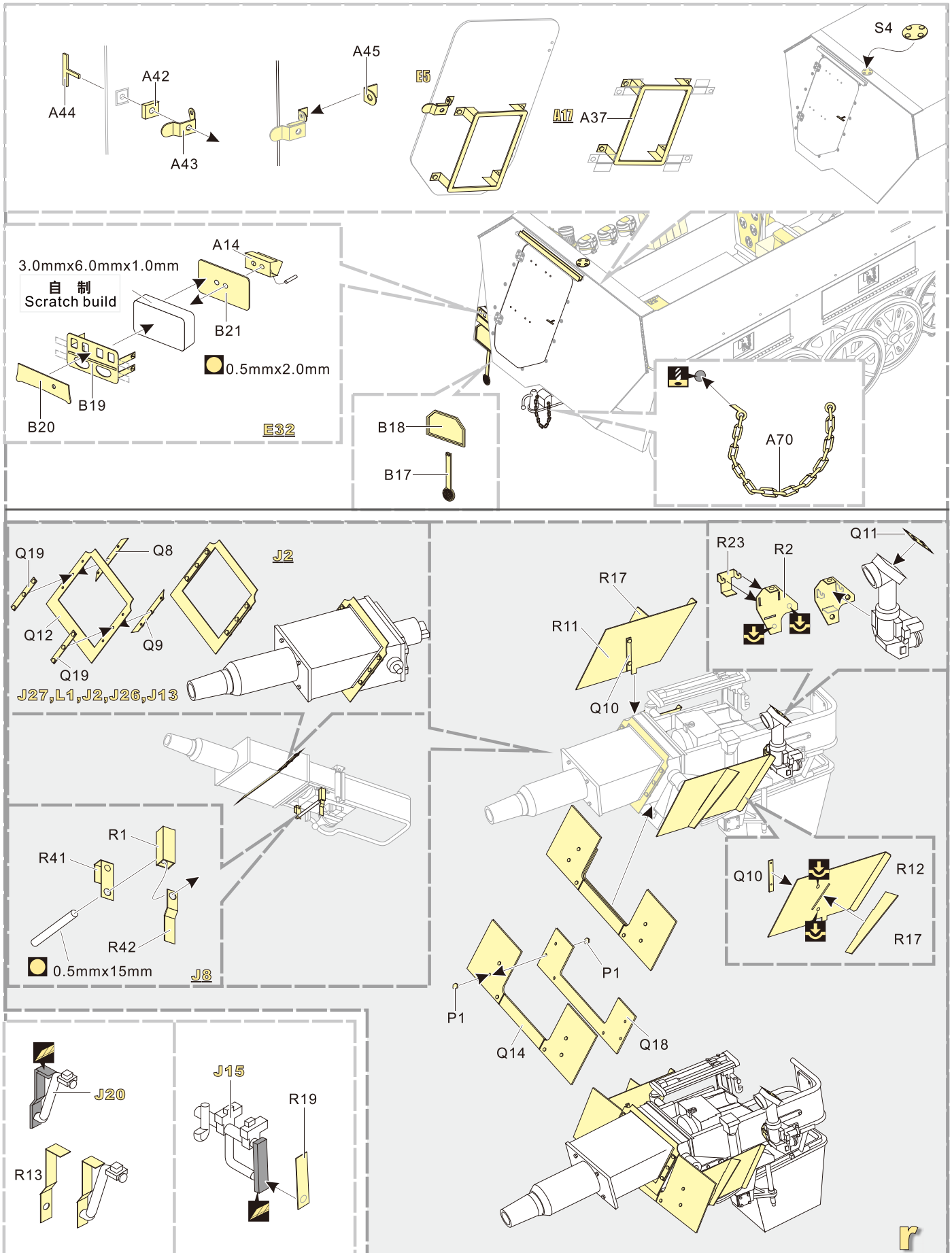
用笔尖在凹槽处刮
Use penpoint scratch on the flute



1/35 MILITARY MINIATURE VEHICLE UPGRADE SERIES PE35239



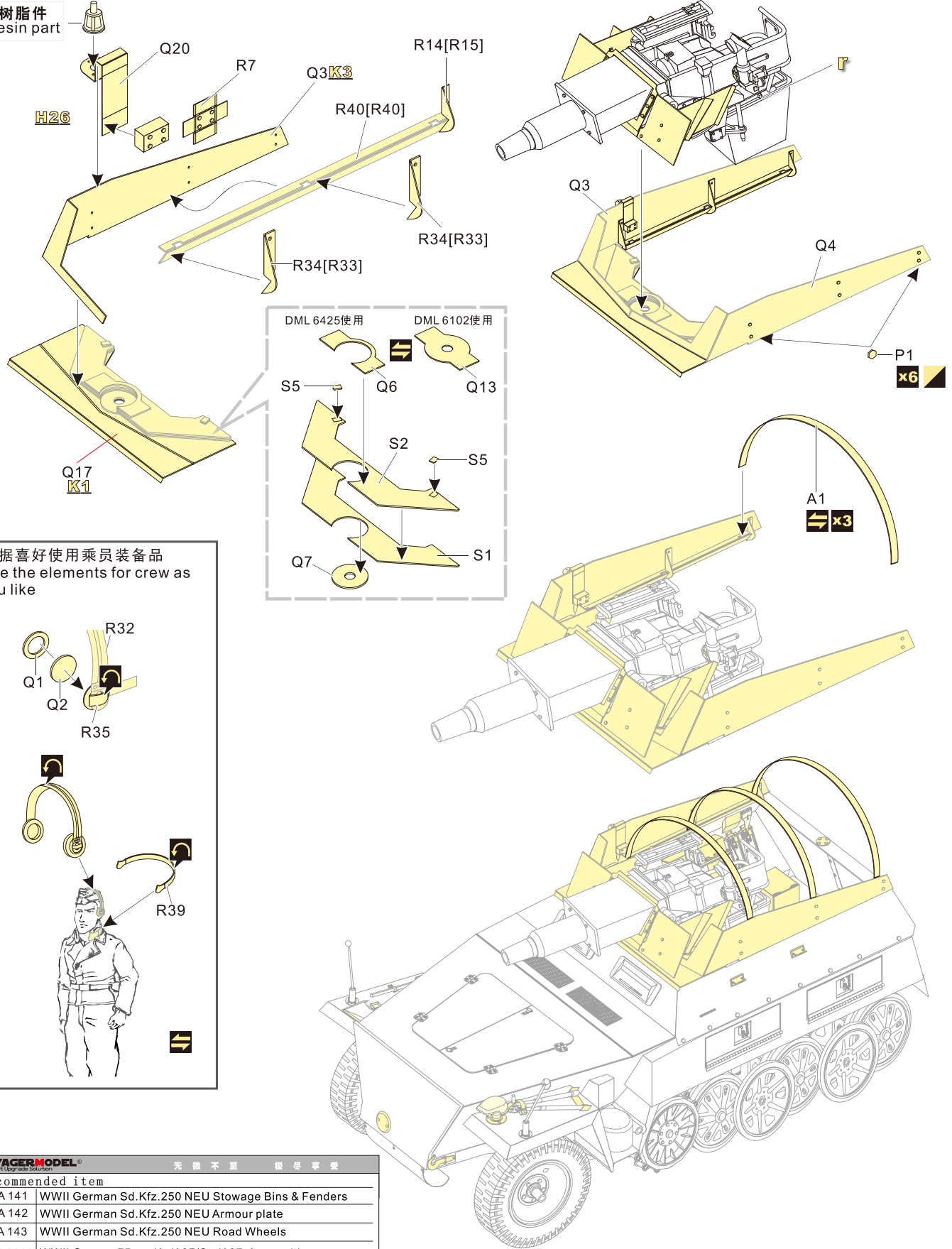
1/35 MILITARY MINIATURE VEHICLE UPGRADE SERIES PE35239



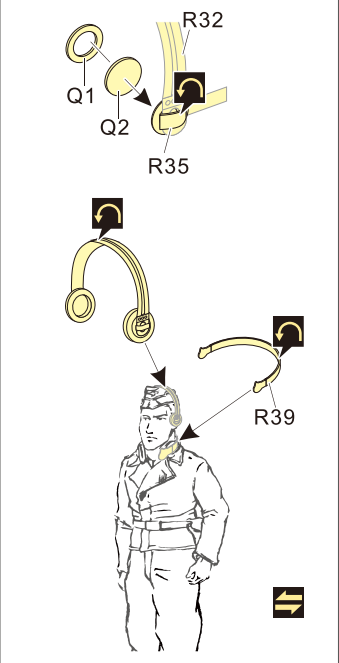
1/35 MILITARY MINIATURE VEHICLE UPGRADE SERIES PE35239

G22

树脂件
Resin part



根据喜好使用乘员装备品
Use the elements for crew as you like



VOYAGERMODEL®		无 微不至 极 尽 享受	
Recommended item			
PEA 141	WWII German Sd.Kfz.250 NEU Stowage Bins & Fenders		
PEA 142	WWII German Sd.Kfz.250 NEU Armour plate		
PEA 143	WWII German Sd.Kfz.250 NEU Road Wheels		
VBS 0309	WWII German 75mm KwK 37/StuK 37 Ammunition		
VBS 0310	WWII German 75mm KwK 37/StuK 37 Ammunition Shell Case		