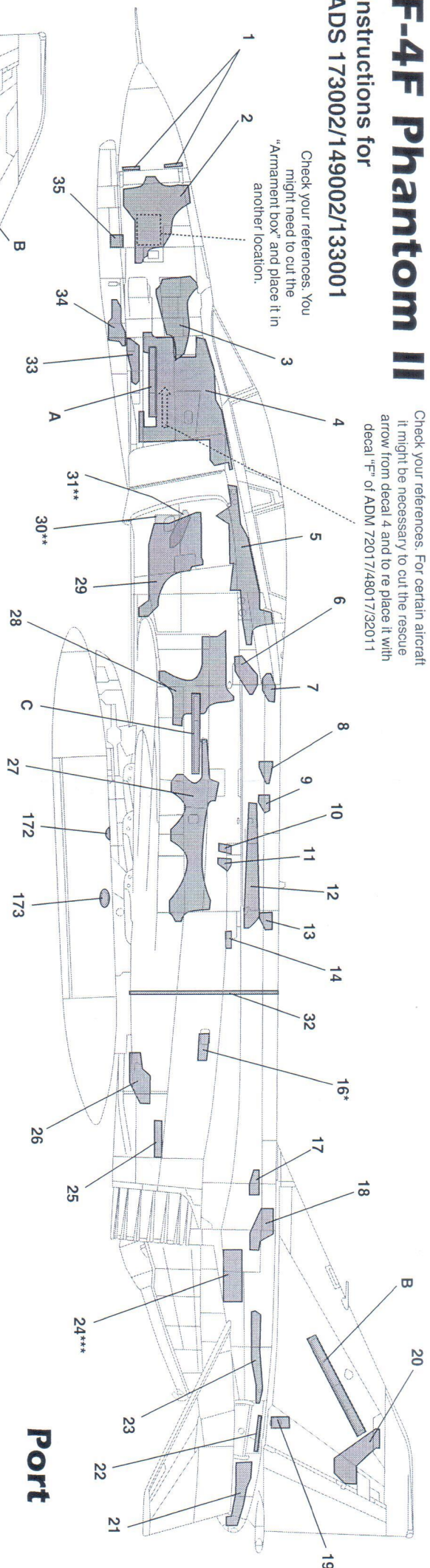


F-4F Phantom II

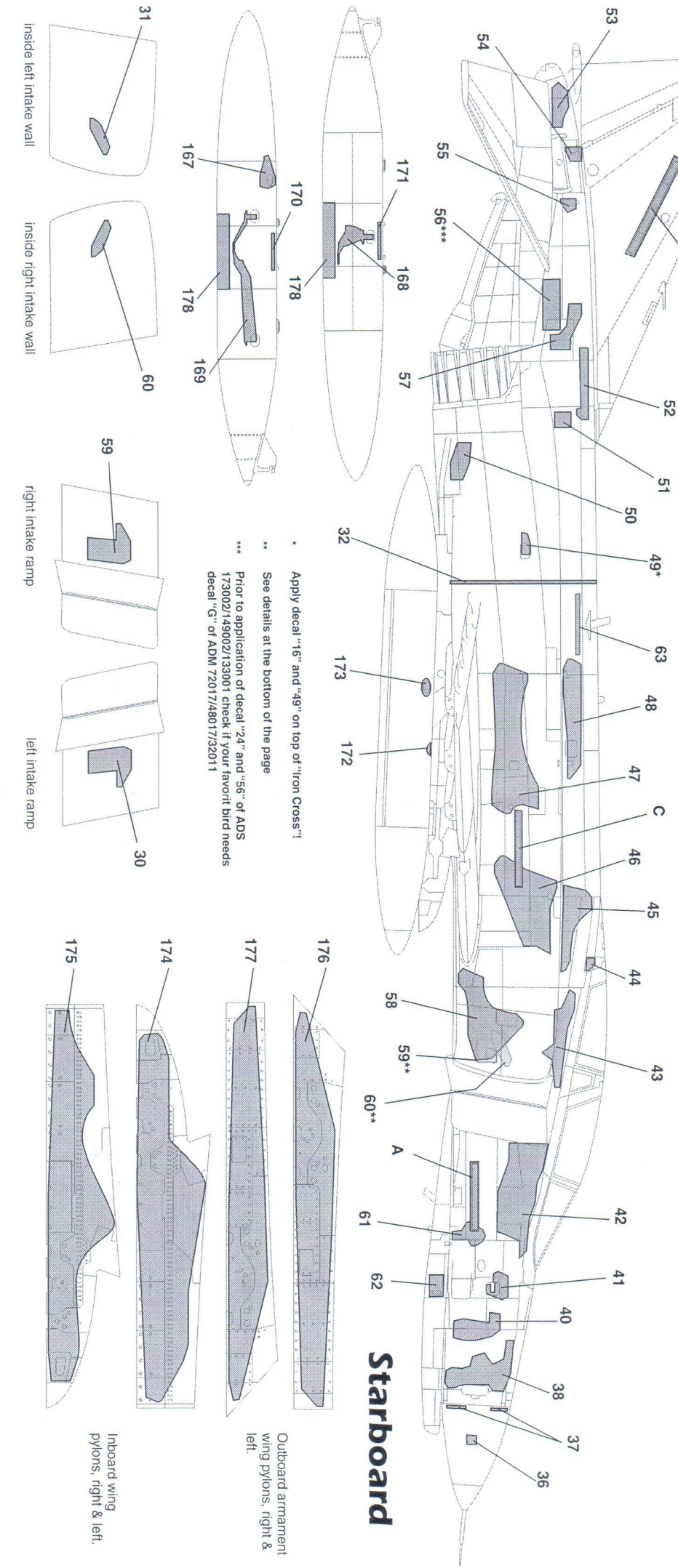
Check your references. For certain aircraft it might be necessary to cut the rescue arrow from decal 4 and to re place it with decal "F" of ADM 72017/48017/3201 1

Instructions for
ADS 173002/149002/133001

Check your references. You might need to cut the "Armament box" and place it in another location.



Port

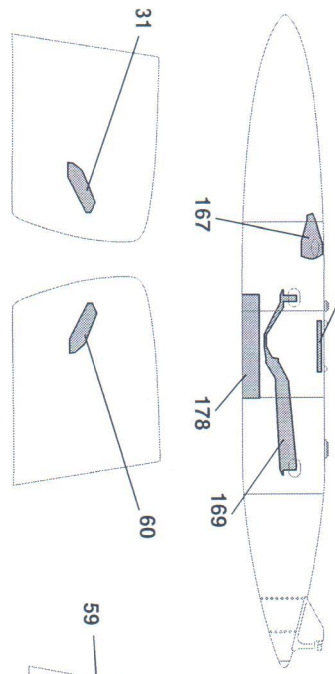


Starboard

Outboard armament wing pylons, right & left.

Inboard wing pylons, right & left.

- * Apply decal "16" and "49" on top of "Iron Cross"!
- ** See details at the bottom of the page
- *** Prior to application of decal "24" and "56" of ADS 173002/149002/133001 check if your favourit bird needs decal "G" of ADM 72017/48017/3201 1

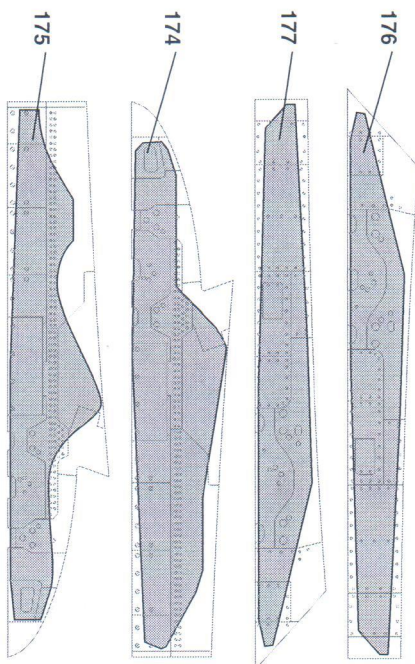


inside left intake wall

inside right intake wall

right intake ramp

left intake ramp



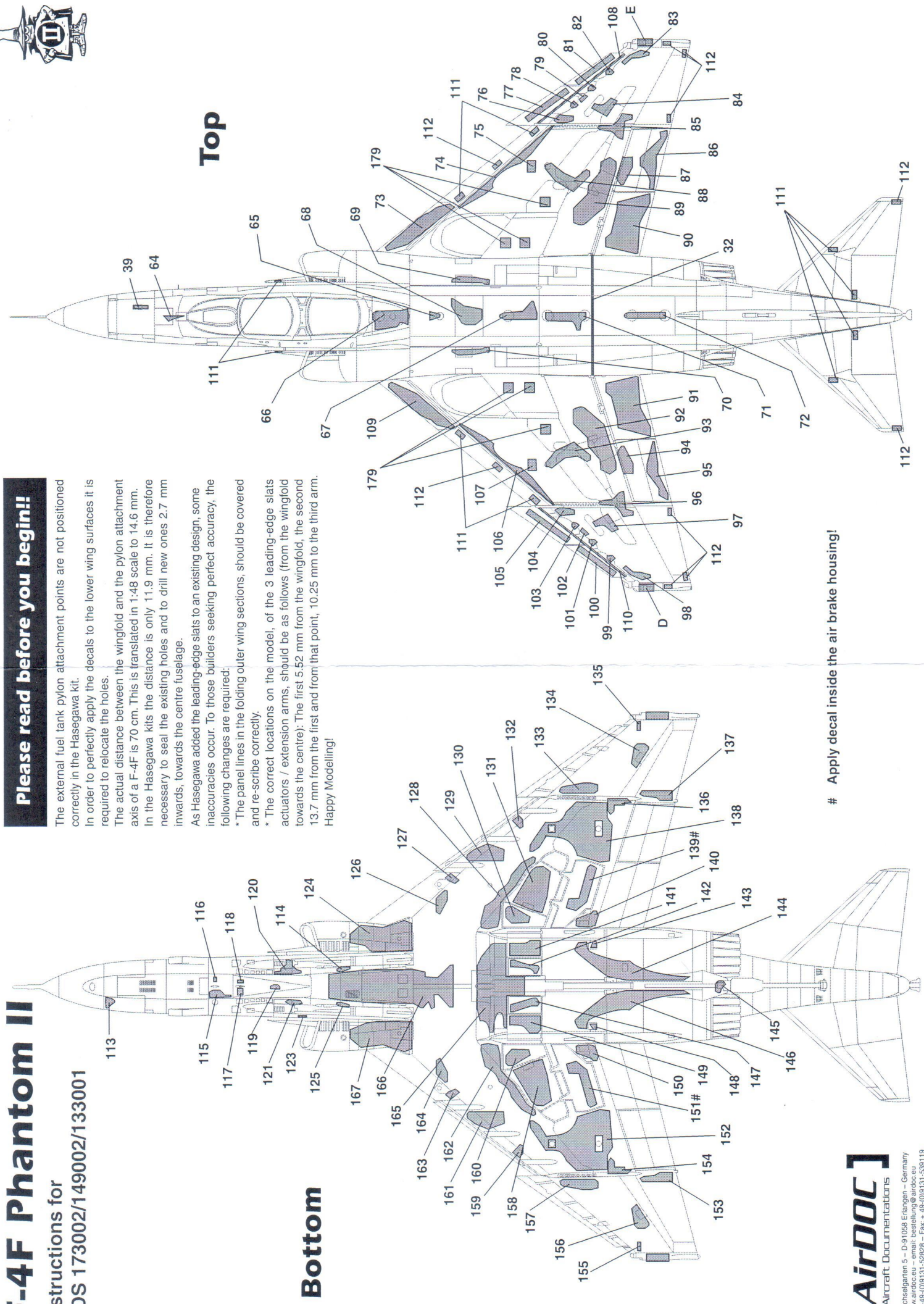
Inboard wing pylons, right & left.

Outboard armament wing pylons, right & left.



F-4F Phantom II

Instructions for
ADS 173002/149002/133001



Top

Bottom

Please read before you begin!!

The external fuel tank pylon attachment points are not positioned correctly in the Hasegawa kit. In order to perfectly apply the decals to the lower wing surfaces it is required to relocate the holes. The actual distance between the wingfold and the pylon attachment axis of a F-4F is 70 cm. This is translated in 1:48 scale to 14.6 mm. In the Hasegawa kits the distance is only 11.9 mm. It is therefore necessary to seal the existing holes and to drill new ones 2.7 mm inwards, towards the centre fuselage.

As Hasegawa added the leading-edge slats to an existing design, some inaccuracies occur. To those builders seeking perfect accuracy, the following changes are required:

- * The panel lines in the folding outer wing sections, should be covered and re-scribe correctly.
 - * The correct locations on the model, of the 3 leading-edge slats actuators / extension arms, should be as follows (from the wingfold towards the centre): The first 5.52 mm from the wingfold, the second 13.7 mm from the first and from that point, 10.25 mm to the third arm.
- Happy Modelling!

Apply decal inside the air brake housing!