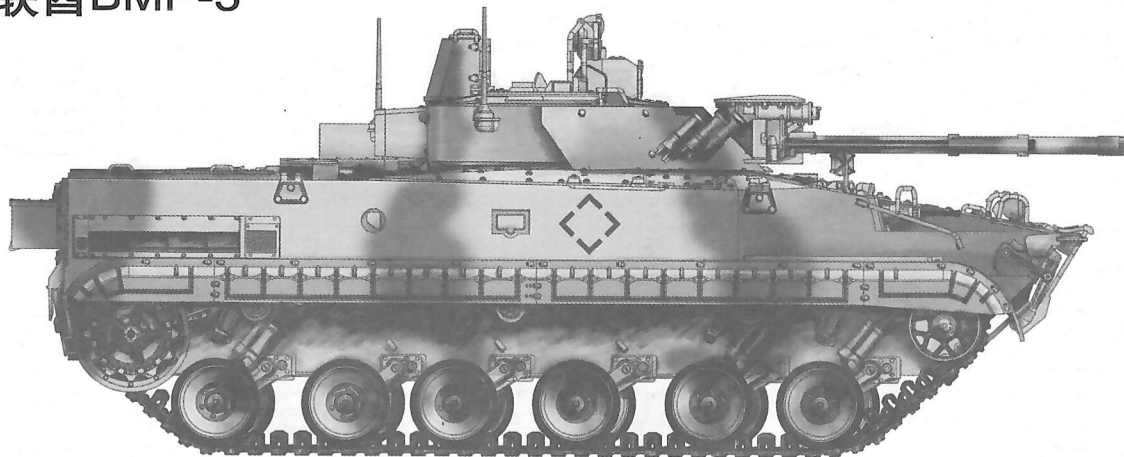


United Arab Emirates BMP-3

阿联酋BMP-3



READ BEFORE ASSEMBLY:

- Study and understand these instructions thoroughly before beginning assembly
- When needed, remove photo-etch parts carefully using a modeling knife or photo etch sprue cutter, being careful not to damage or lose small parts.
- Take extra care in handling photo etch parts in order to avoid injury
- Apply instant cement sparingly to photo etch parts where instructed
- Tools recommended(not included in kit):Plastic and instant cements, sprue cutters,long nose pliers,modeling knife, small files, tweezers, pin vise & scissors. Soft cloth and sandpaper will also assist in construction
- Glue and paint are not included in the kit. Use plastic cement and hobby paints only. Color guide for purchasing paint is included in the kit.

装配之前仔细阅读

- 小心用模型锉刀锉平所有零件表面的注射浇口。
- 小心用刀片切下蚀刻片零件，不要遗失小零件。
- 用强力快干胶水粘合蚀刻片零件和金属轴。过量快干胶水使用可能导致可动零件会粘住，小心涂胶。
- 取蚀刻片时应特别注意安全，防止利边划伤手指。
- 某些零件表面需贴水贴纸，请选择在装配的同时进行。
- 推荐模型工具(自备)：胶水，水口剪刀，长咀钳，刀片，锉刀，镊子，钳，钻，剪刀，瞬间快干胶。
- 软布同砂纸同时也应该是必备工具。
- 请使用塑料胶水和油漆，模型内不含。



配重
Weight



使用强力胶
Cyanoacrylate glue



钻孔
Make hole



切除
Cut / Remove



贴纸
Decal



锉平
File / Sand



选择
Option



不涂胶水
No cement



弯曲
Bend

水贴纸的使用:

- 1.从水贴纸上剪下印花;
- 2.将印花放入温水中浸10秒, 然后放在干净布上。
- 3.拿着印花纸将印花移到模型上;
- 4.手指蘸水将印花移到适当的位置;
- 5.用软布轻压印花直至水干, 气泡消失

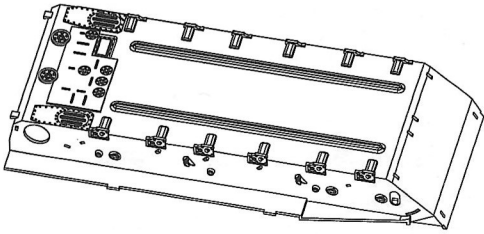
DECAL APPLICATION

- 1.Cut decals from sheet as needed
- 2.Dip the decal in warm water for about 10 seconds and then place on soft clean cloth.
- 3.Hold the decal backing sheet edge and gently slide the decal onto the model in its proper position.

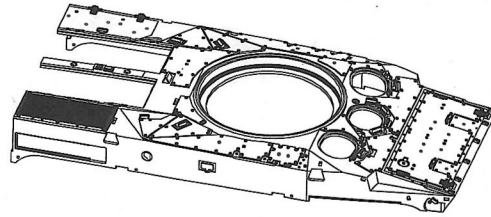
- 4.While still wet,decal can be adjusted for better fit on model by dampening it gently with your finger.
- 5.When placed in the proper position,gently press decal down with a soft cloth until excess water and air bubbles are gone.
- 6.Allow decal to dry completely before handling model

部品图
Parts

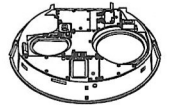
《车底》
Lower hull



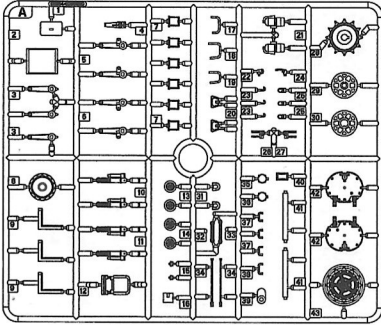
《车面》
Upper hull



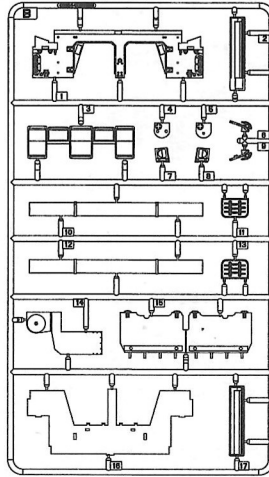
《炮塔》
Turret



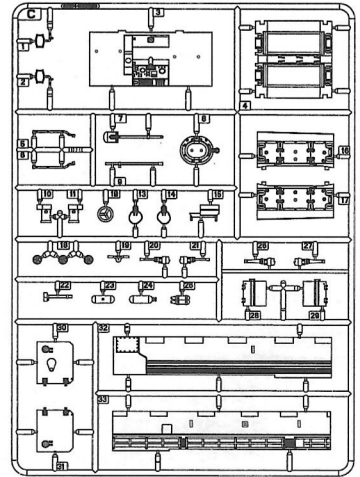
Ax2



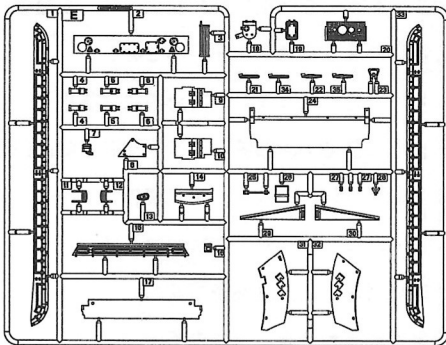
B



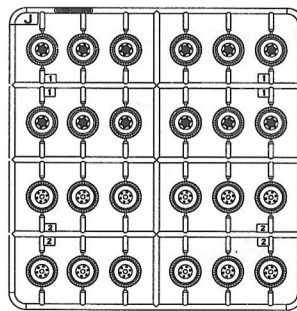
C



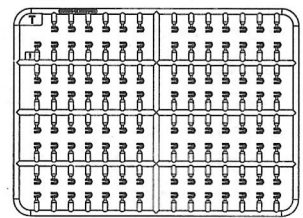
E



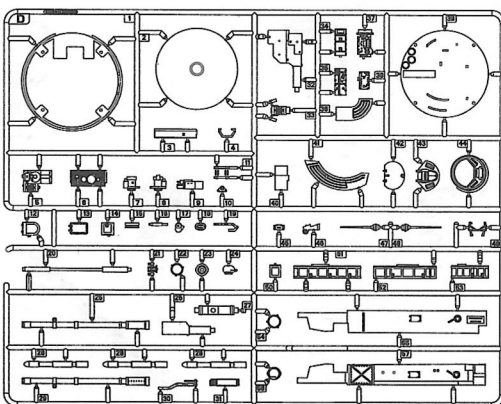
J



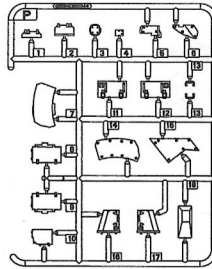
Tx2



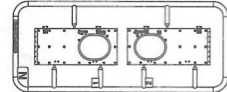
D



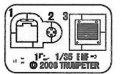
P



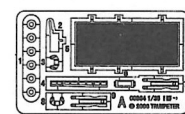
N



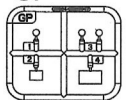
PE-C



PE-A



GP



《履带》x90
Track

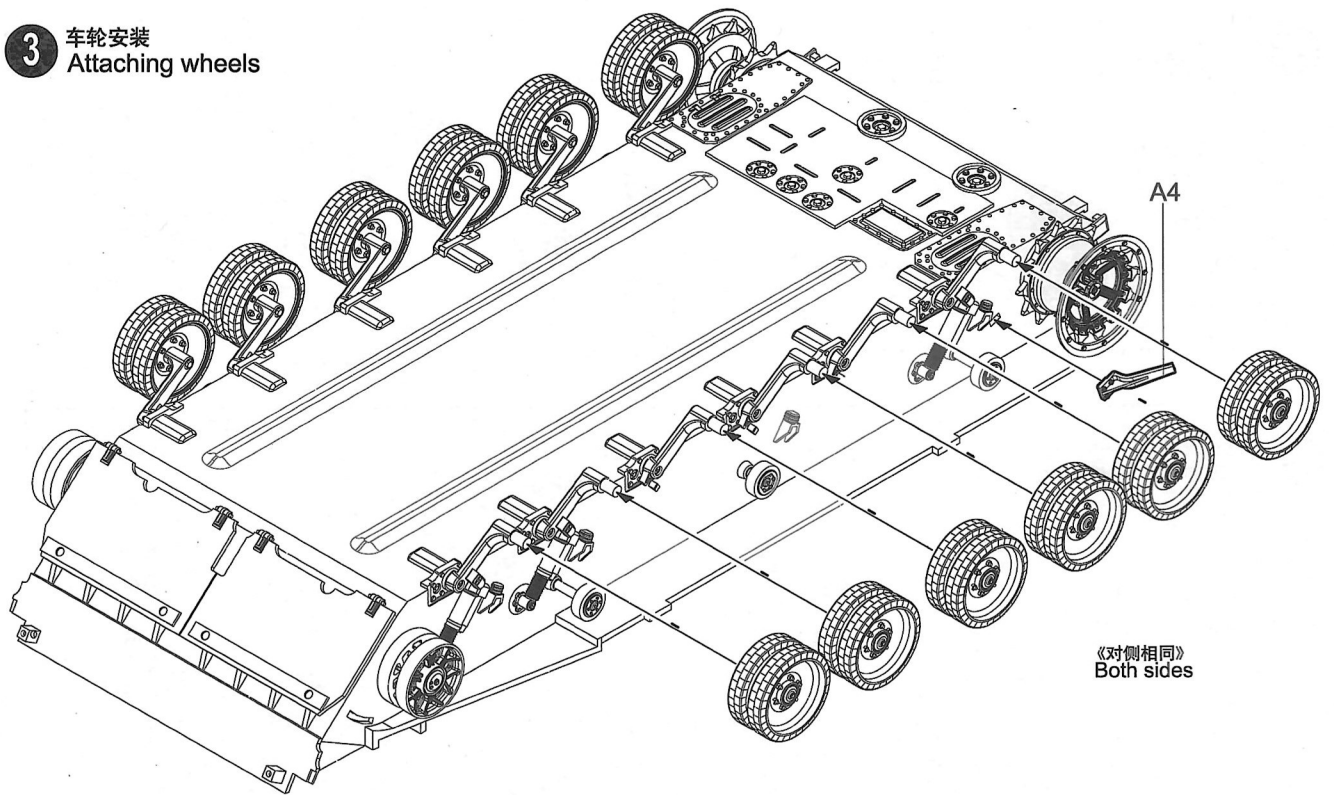


《水贴纸》
Decal



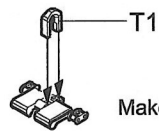
不用部品: A18,A19,B5,B17,D6,D13,D35,E8,E13,E18,E21,E34
Unused Parts

3 车轮安装
Attaching wheels

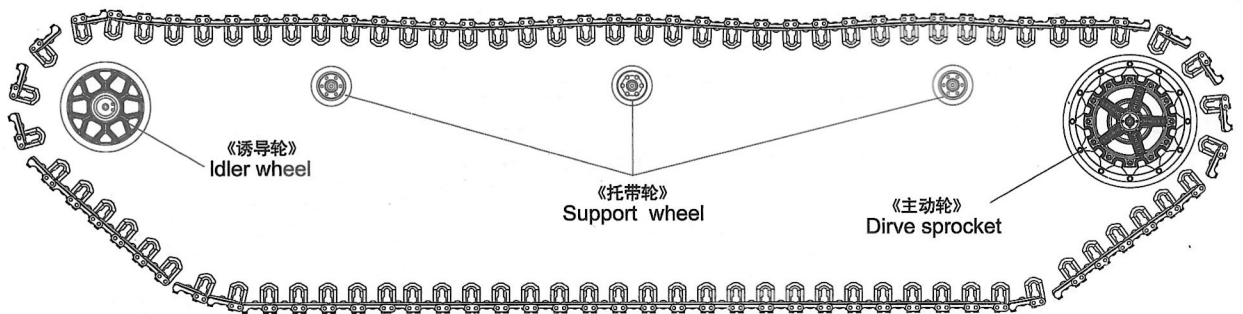


《对侧相同》
Both sides

4 履带连接
Track installation



制作168组
Make one hundred and sixty-eight

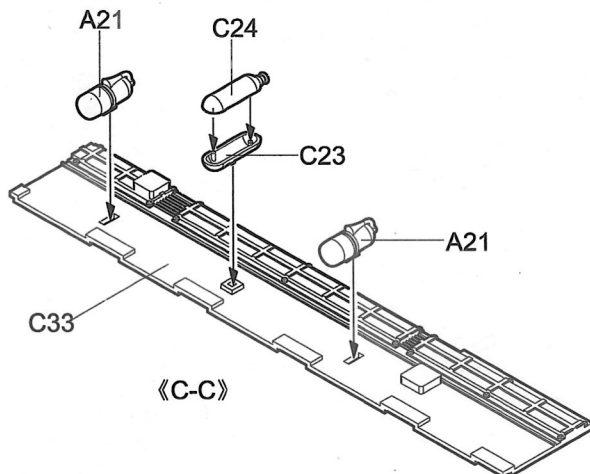


《诱导轮》
Idler wheel

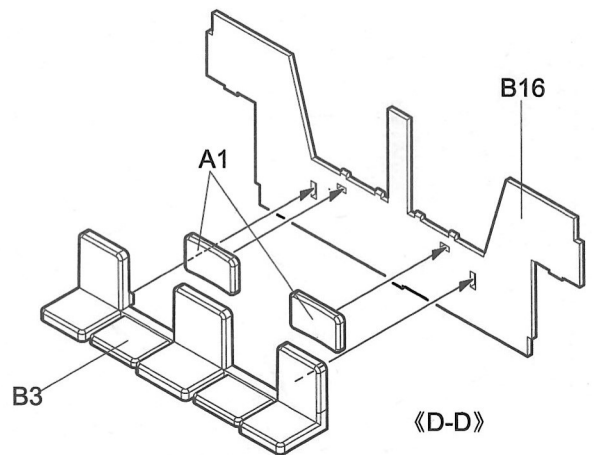
《托带轮》
Support wheel

《主动轮》
Drive sprocket

5

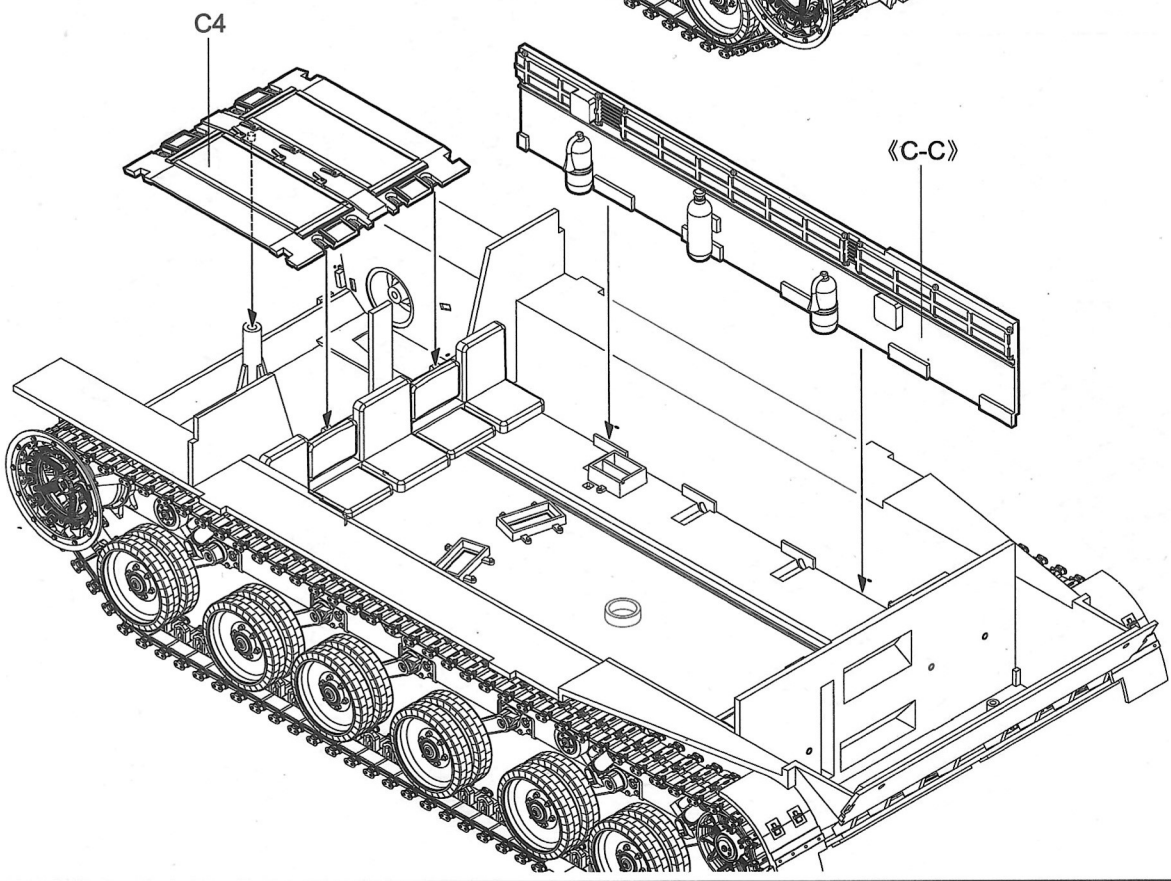
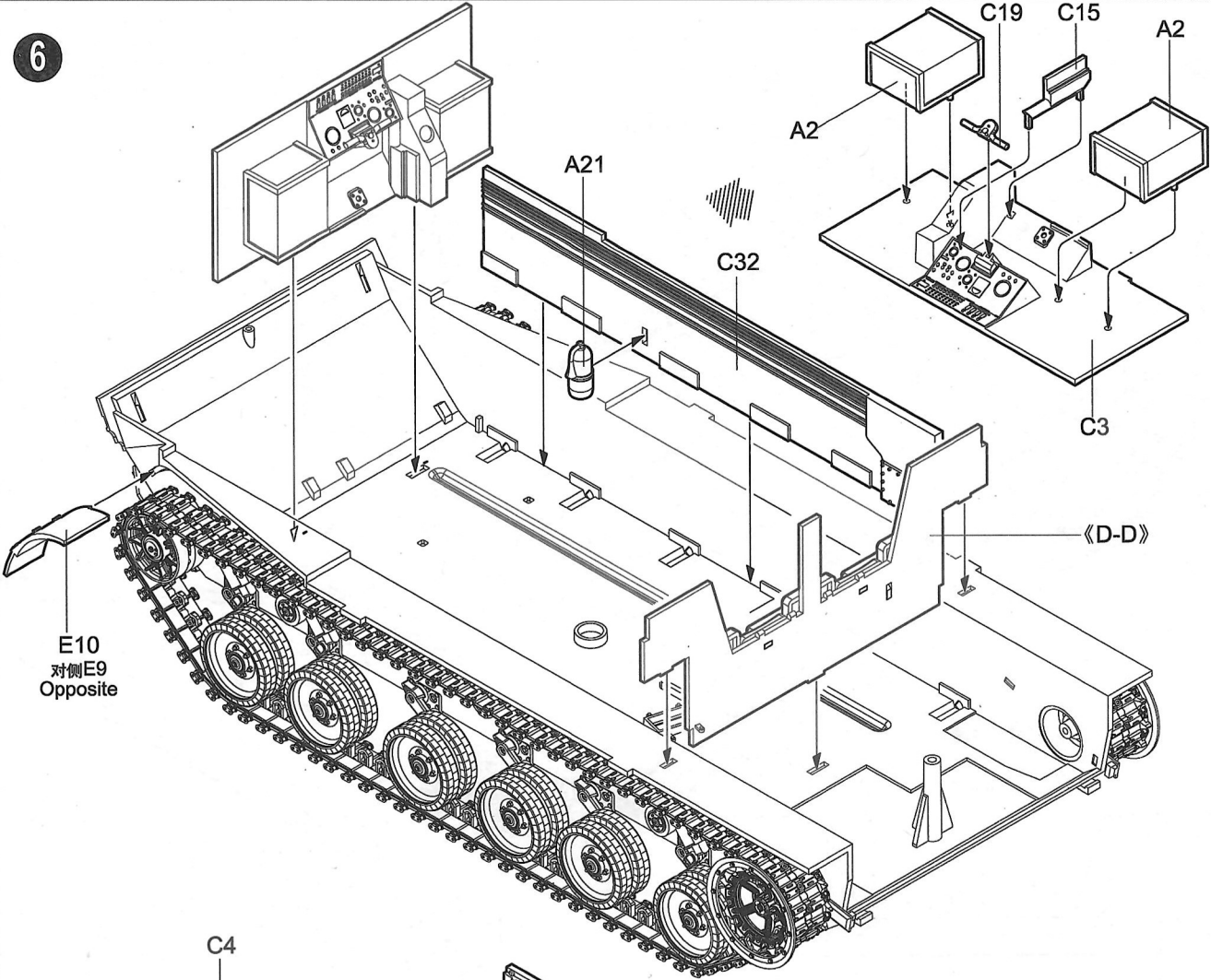


《C-C》

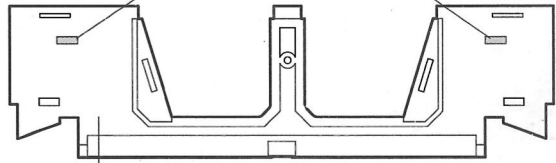
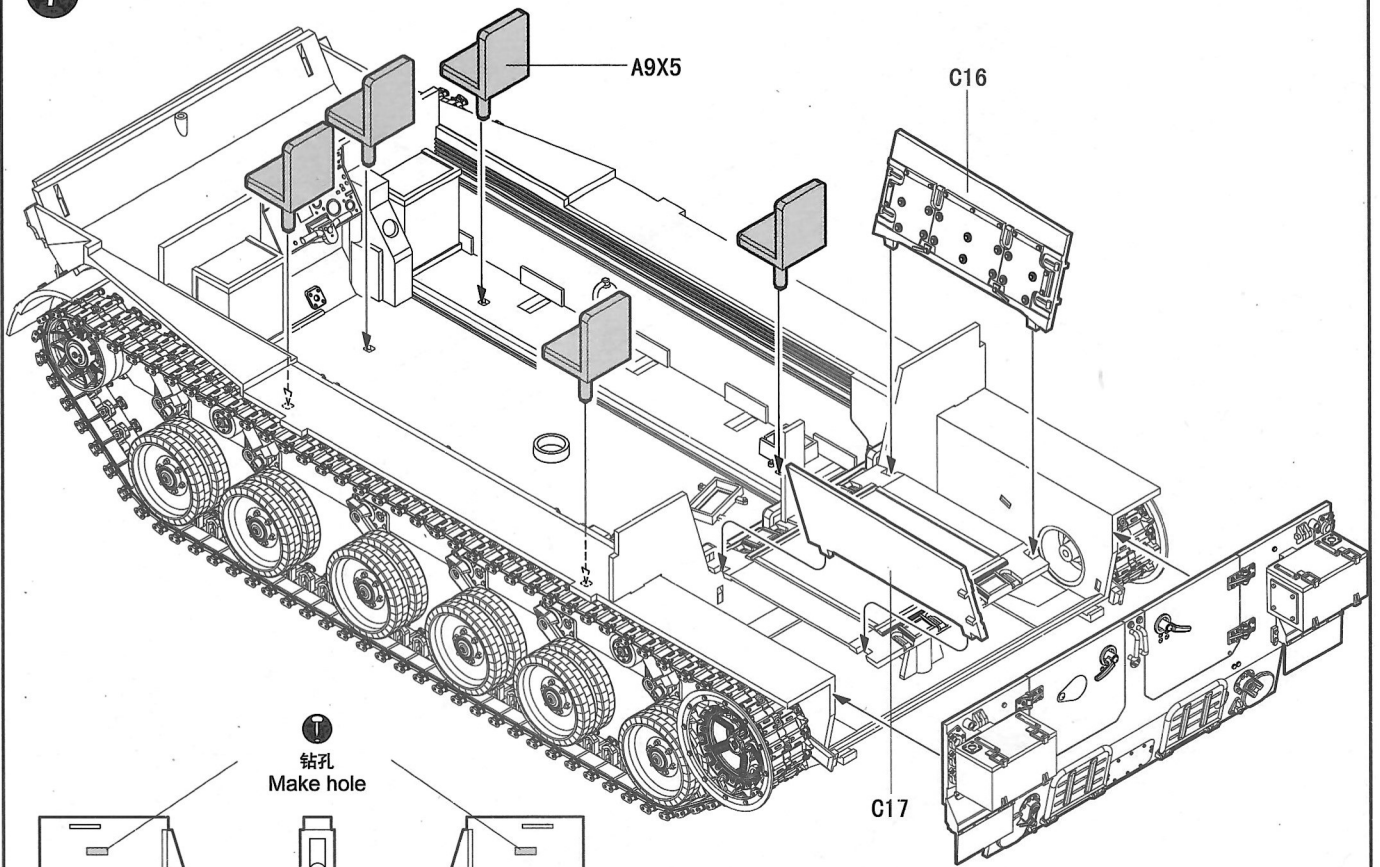


《D-D》

6



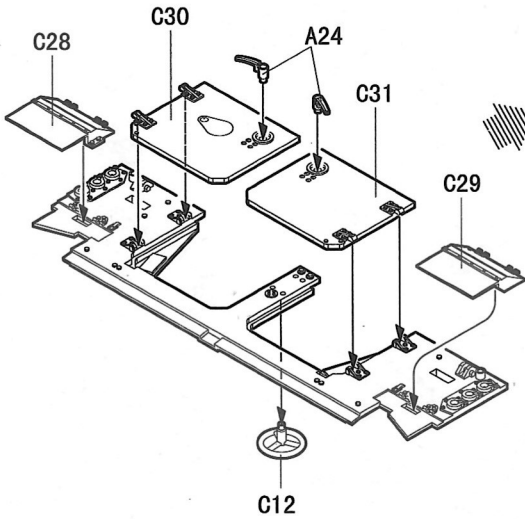
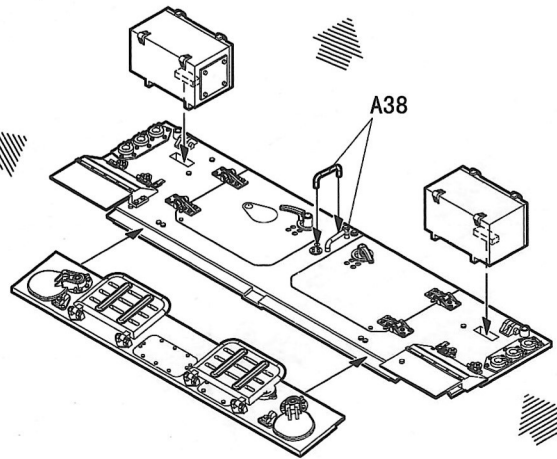
7



B1

P11

P8



C13

B11

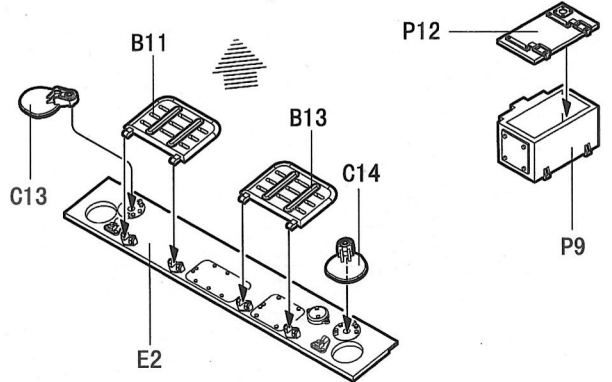
B13

C14

E2

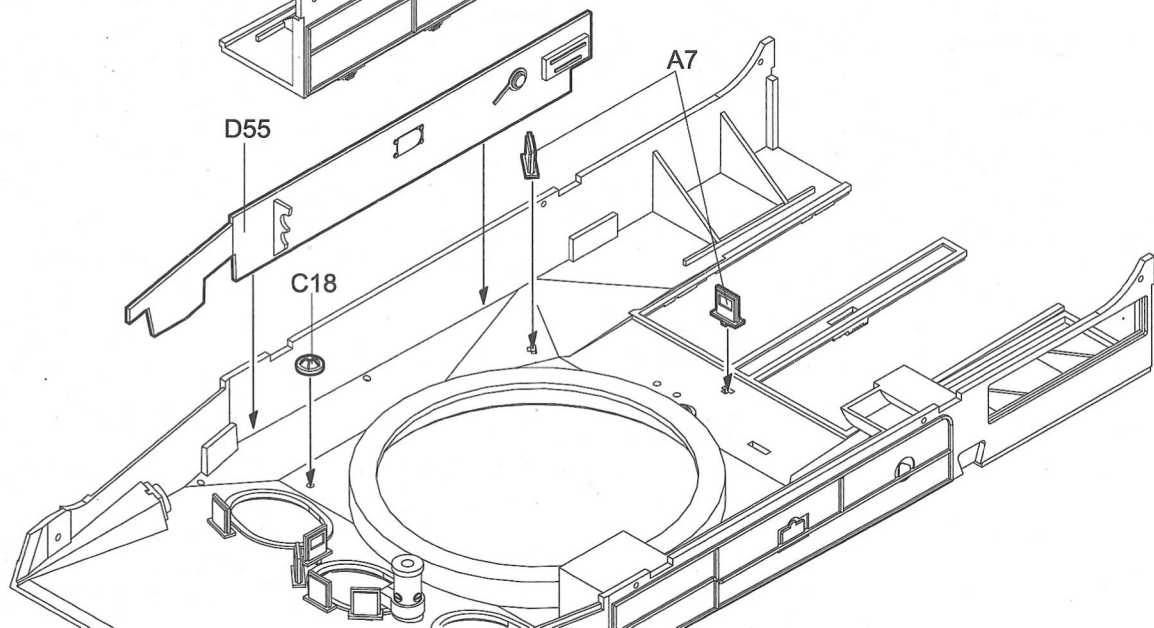
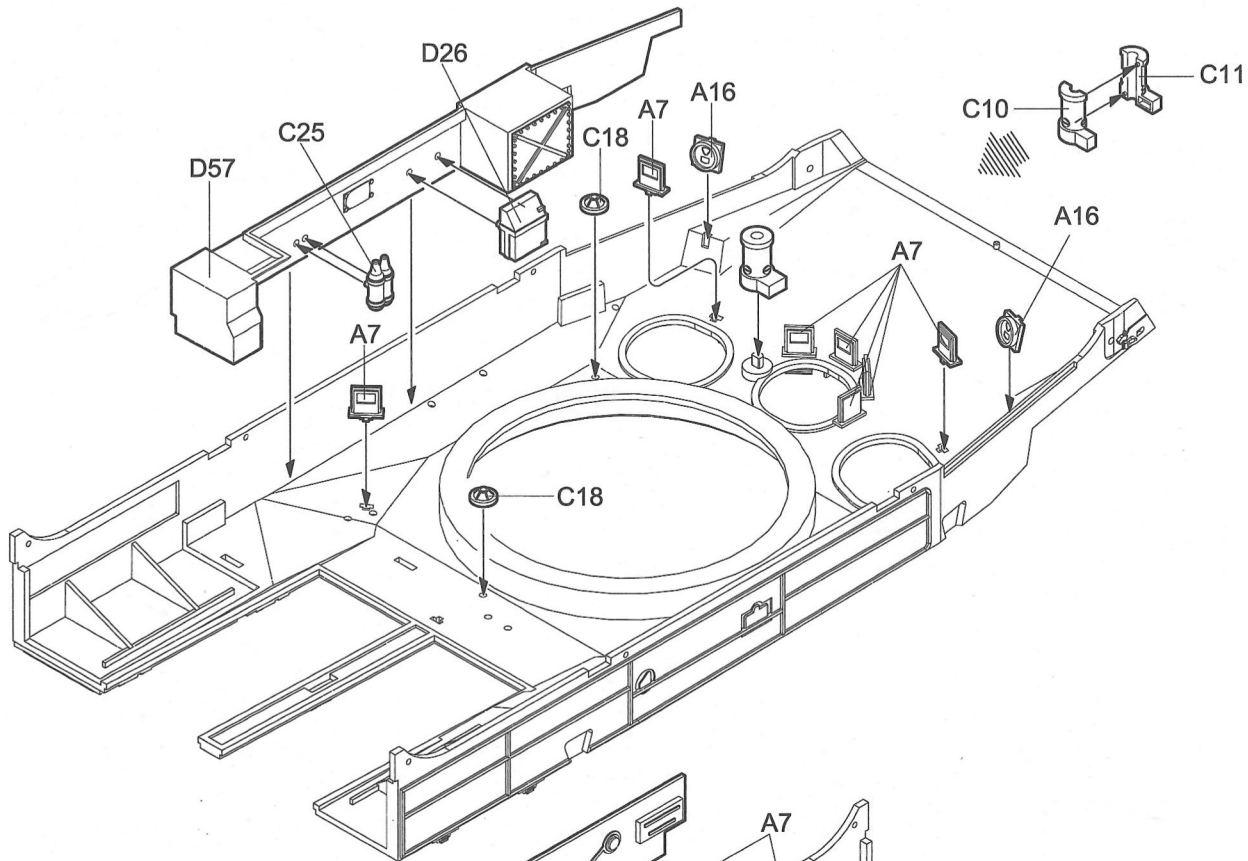
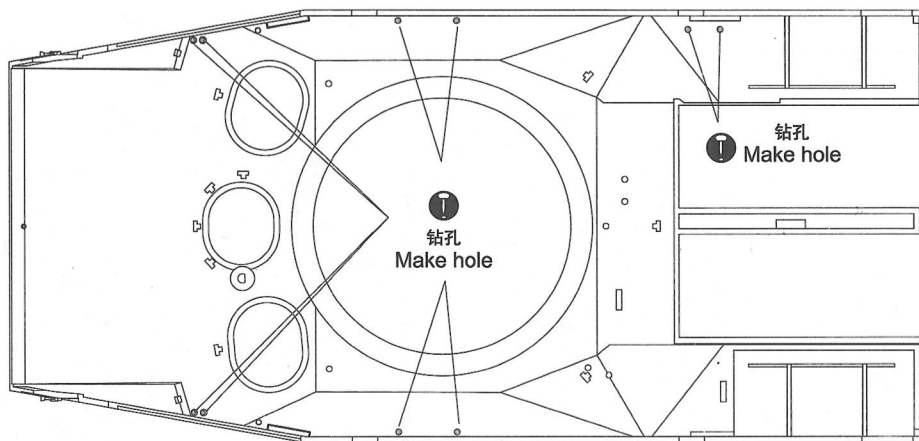
P12

P9

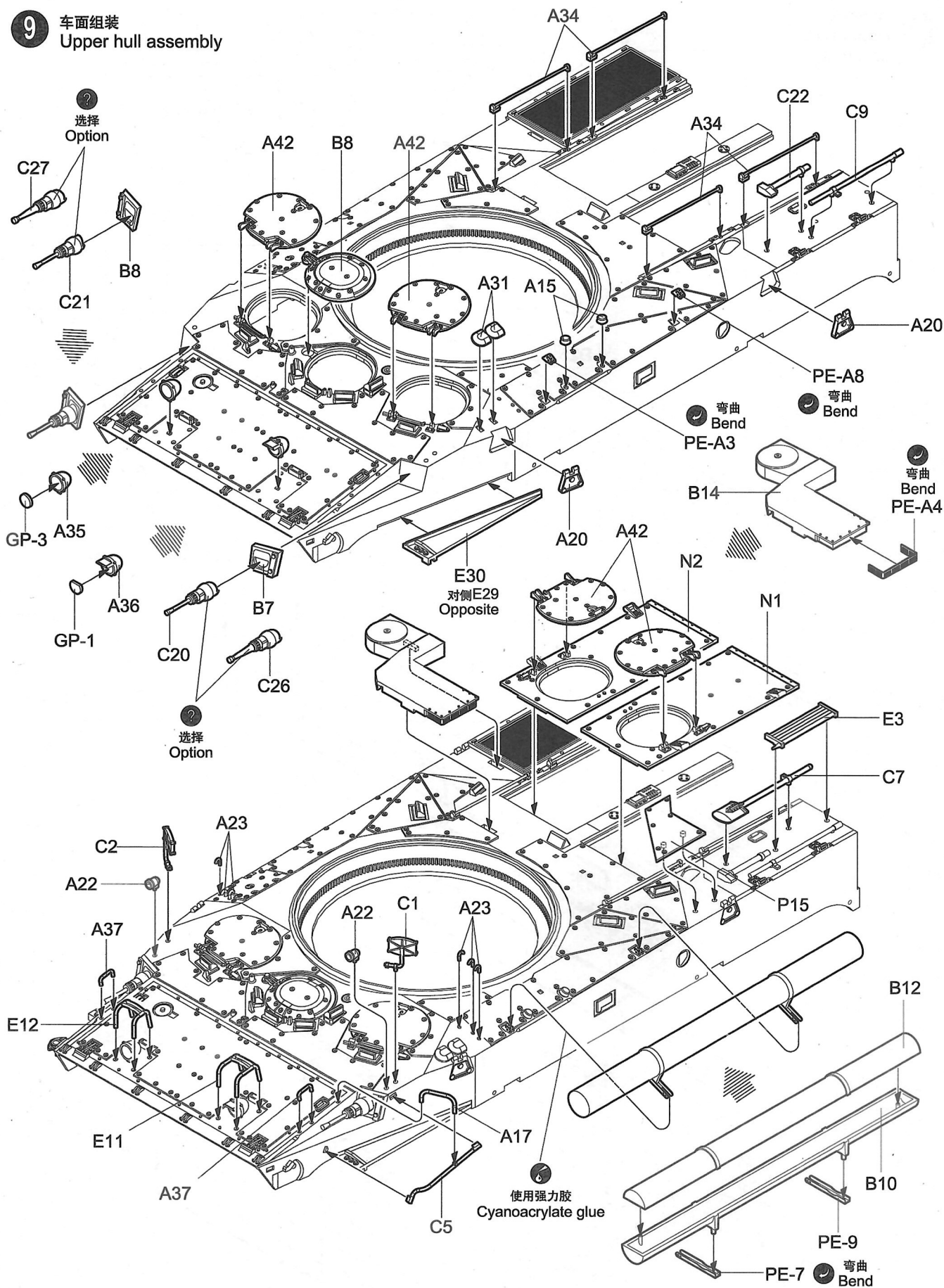


8

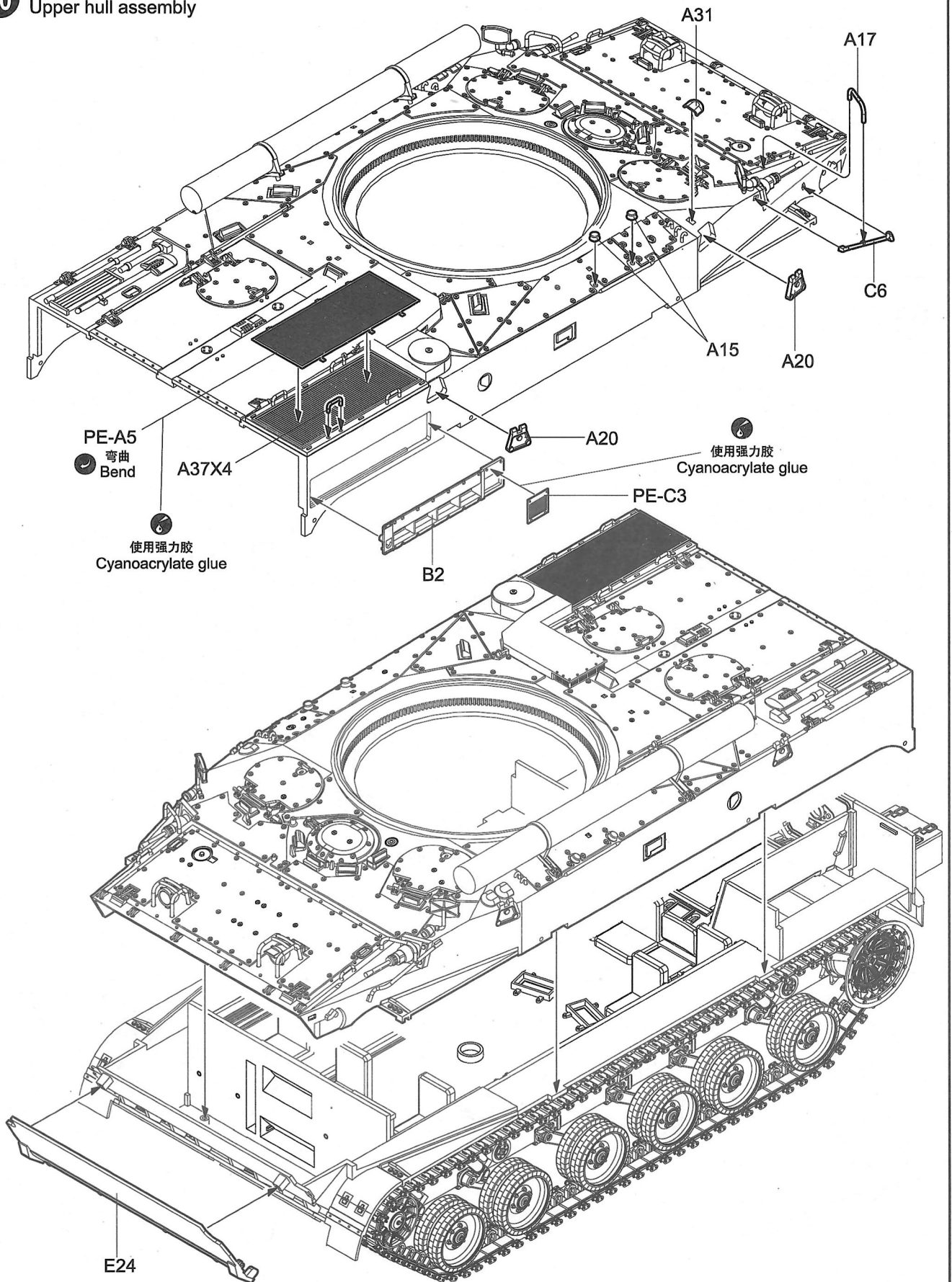
车面组装
Upper hull
assembly

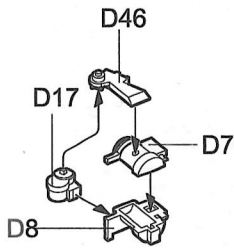


9 车面组装
Upper hull assembly

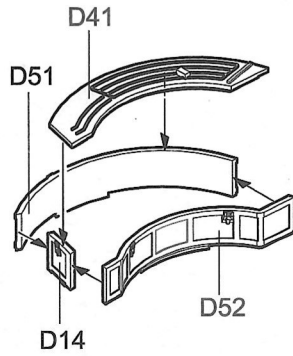


10 车面组装
Upper hull assembly

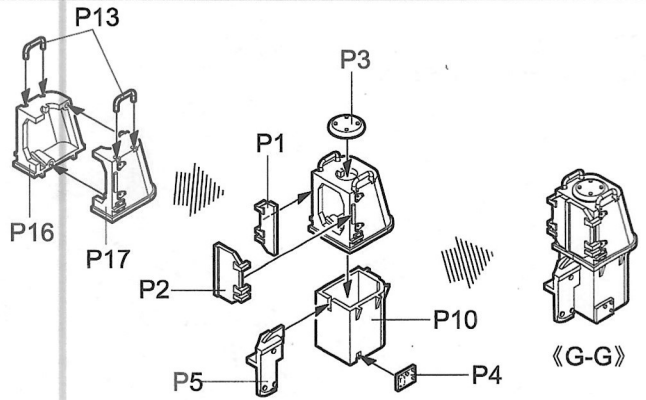




《E-E》

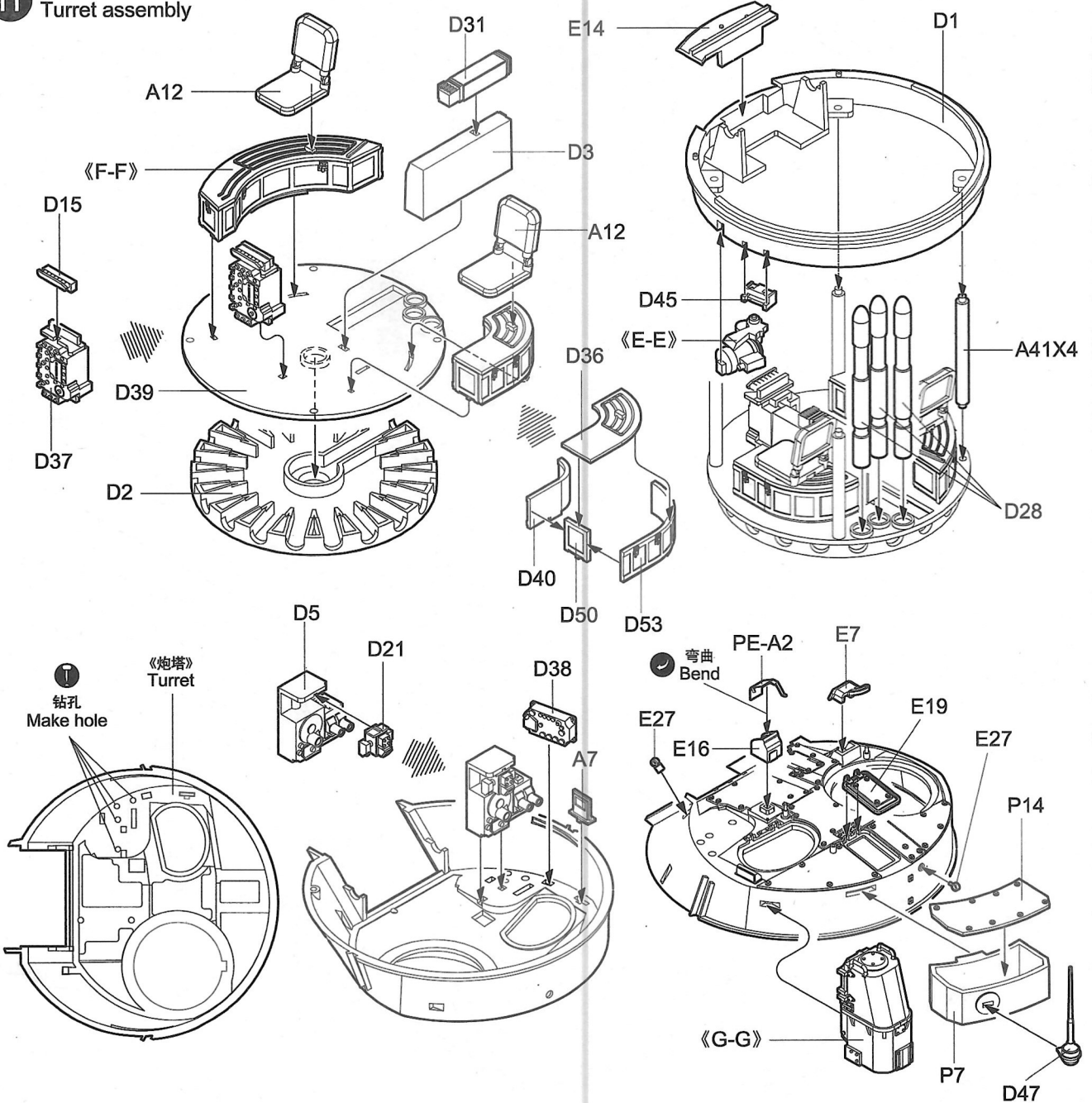


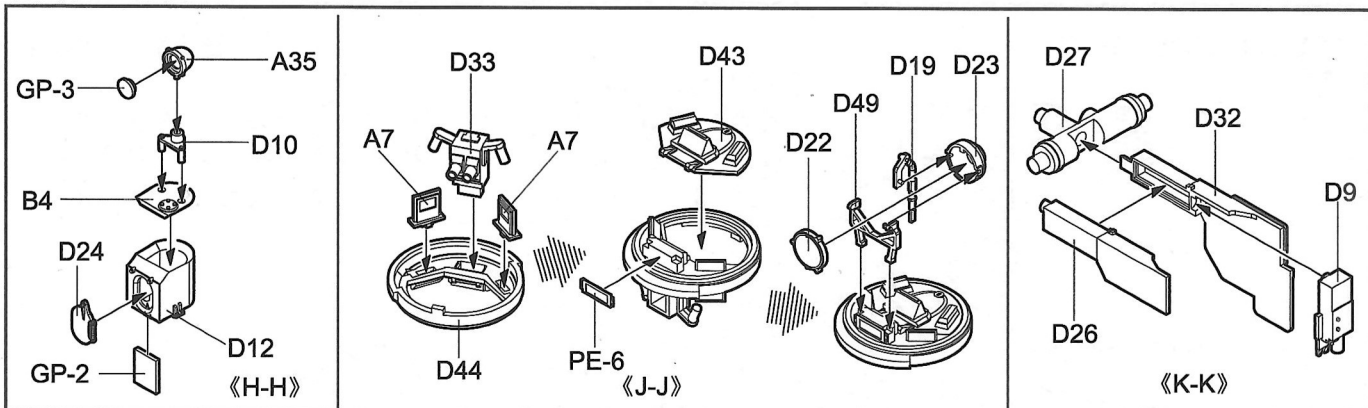
《F-F》



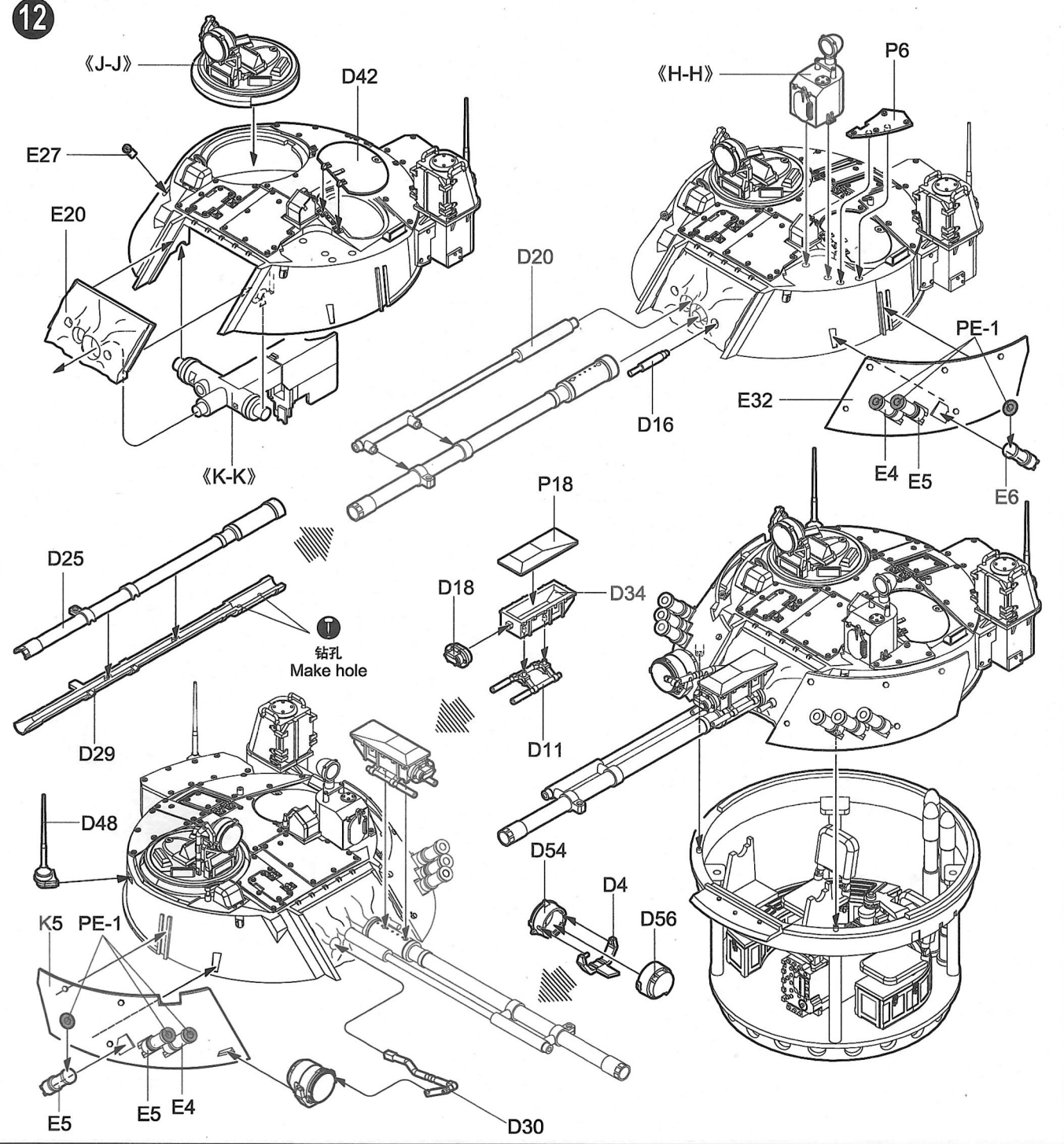
《G-G》

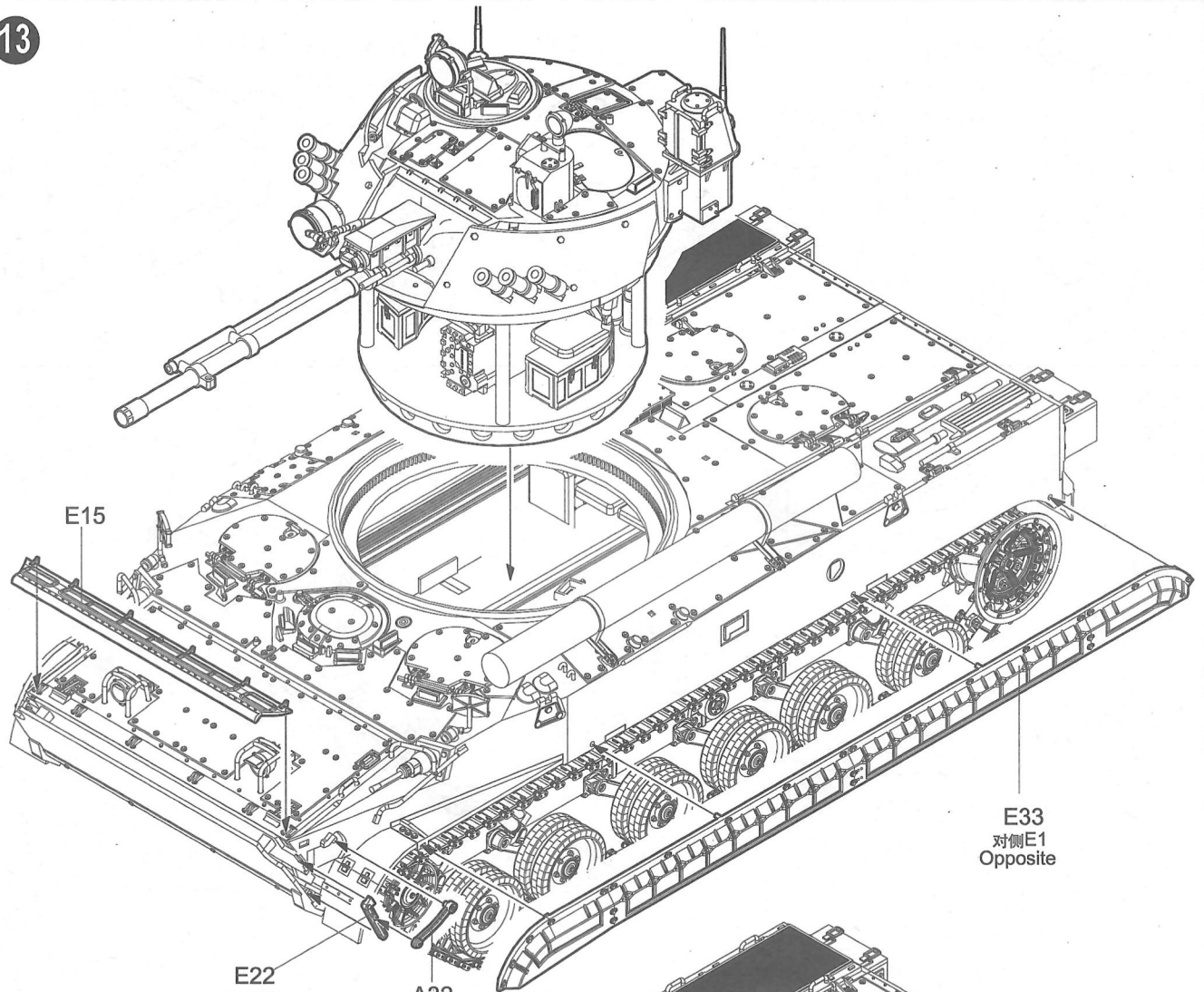
11 炮塔组装
Turret assembly





12



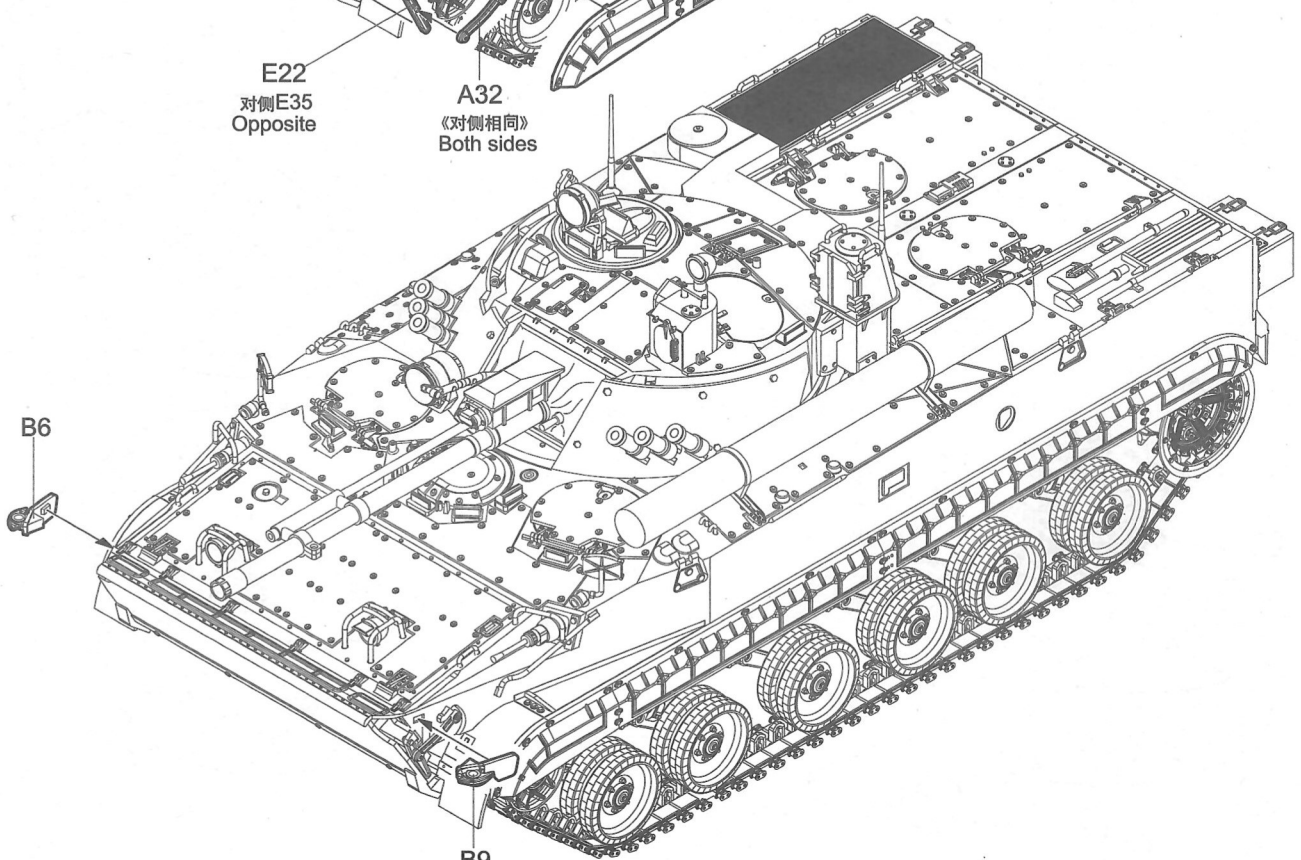


E15

E33
对侧E1
Opposite

E22
对侧E35
Opposite

A32
《对侧相同》
Both sides



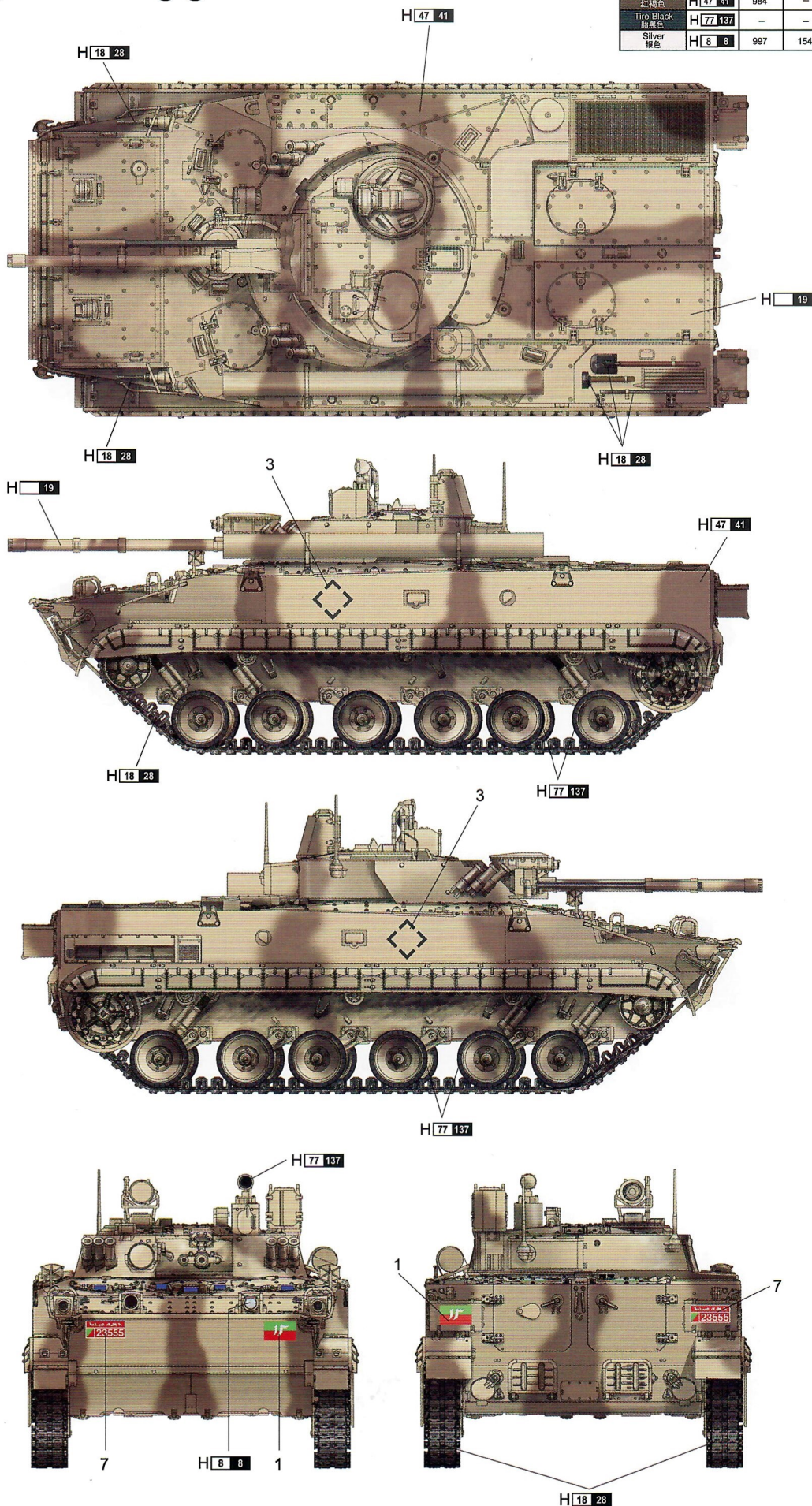
B6

B9

涂装同标贴指示 Painting & Marking guide

PAINT REFERENCE COLOUR					
Color	Mr.Hobby	Vallejo	Model Master	Tamiya	Humbrol
Sandy Brown 沙褐色	H 19	-	-	-	-
Steel/Metal Black 黑灰色	H 18 28	864	1402	-	-
Red brown 红褐色	H 47 41	984	-	XF64	160
Tire Black 轮胎色	H 77 137	-	-	-	-
Silver 银色	H 8 8	997	1546	A11	11

A



涂装同标贴指示 Painting & Marking guide

PAINT REFERENCE COLOUR					
Color	Mr.Hobby	Vallejo	Model Master	Tamiya	Humbrol
Brown 棕色	H 310 310	874	1742	—	118
Steel/Metal Black 钢铁色	H 18 28	864	1402	—	—
Light Green 浅绿色	H 320 320	895	—	XF26	30
Tire Black 轮胎黑	H 77 137	—	—	—	—
NATO black 北约黑	H 1c12	—	—	XF58	—

B

