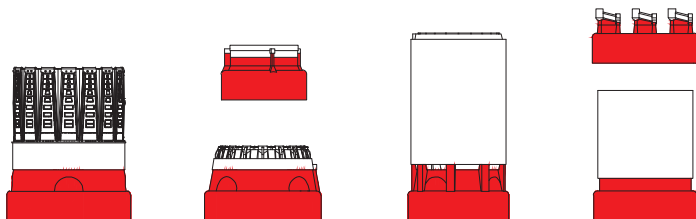
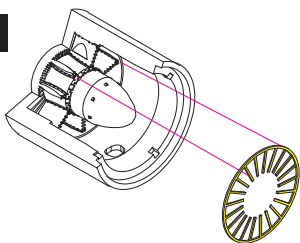


1

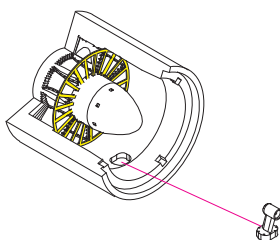


CUT

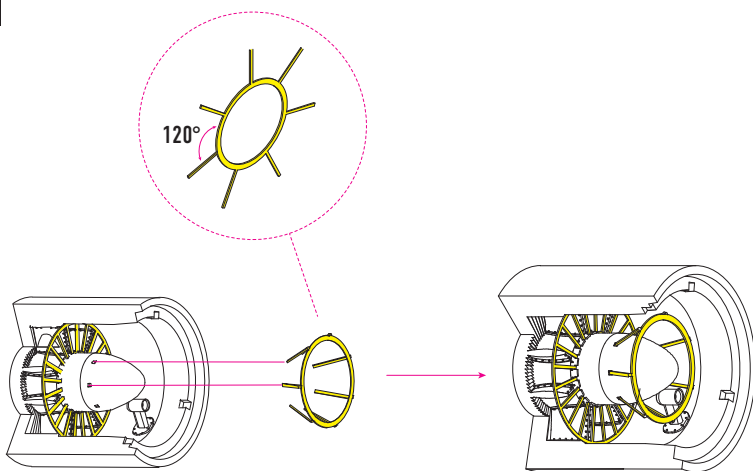
2



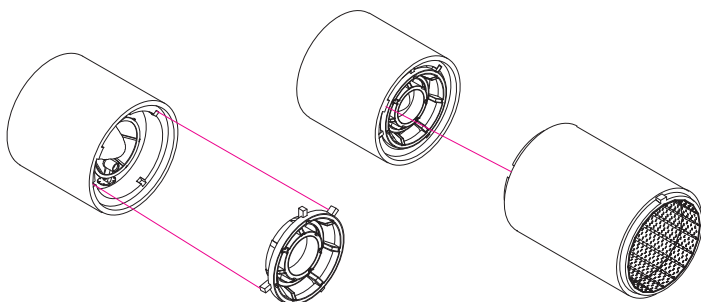
3



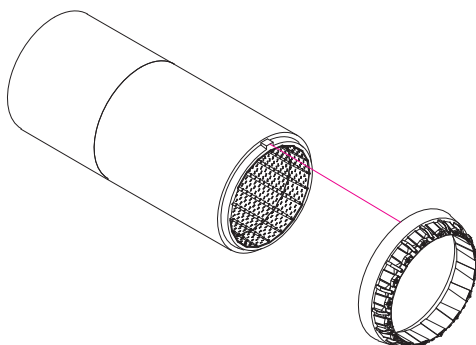
4



5



6



7

