

1:48 Scale

美国海军F9F-2P“黑豹”战斗侦察机

# US.NAVY F9F-2P "PANTHER"

## READ BEFORE ASSEMBLY:

- This kit is not recommended for inexperienced modelers or for children under 14 years of age
- Study and understand these instructions thoroughly before beginning assembly
- When needed, remove photo-etch parts carefully using a modeling knife or photo etch sprue cutter, being careful not to damage or lose small parts.
- Take extra care in handling photo etch parts in order to avoid injury
- Apply instant cement sparingly to photo etch parts where instructed

- Tools recommended(not included in kit):Plastic and instant cements,sprue cutters,long nose pliers,modeling knife, small files, tweezers, pin vise & scissors. Soft cloth and sandpaper will also assist in construction
- Glue and paint are not included in the kit. Use plastic cement and hobby paints only. Color guide for purchasing paint is included in the kit.
- Keep out of reach of small children. They must not be allowed to ingest small parts or handle plastic bags in any way.

## 装配之前仔细阅读

- 小心用模型锉刀锉平所有零件表面的注射浇口。
- 小心用刀片切下蚀刻片零件，不要遗失小零件。
- 用强力快干胶水粘合蚀刻片零件和金属轴。过量的快干胶水使用可能导致可动零件会粘住，小心涂胶。
- 取蚀刻片时应特别注意安全，防止利边划伤手指。
- 某些零件表面需贴水上贴纸，请选择在装配的同时进行。
- 推荐模型工具(自备)：胶水，水口剪刀，长咀钳，刀片，锉刀，镊子钳，钻，剪刀，瞬间快干胶。
- 软布同砂纸同时也应该是必备工具。
- 请使用塑料胶水和油漆，模型内不含。
- 谨防小孩吸吮塑料零件，或者将塑料袋套在头上，制作时应将套材远离小孩接触。
- 本产品不适合14岁以下没有经验的模型爱好者。

## 水贴纸的使用:

1. 从水贴纸上剪下印花;
2. 将印花放入温水中浸10秒，然后放在干净布上。
3. 拿着印花纸板将印花移到模型上;
4. 手指蘸水将印花移到适当的位置;
5. 用软布轻压印花直至水干，气泡消失。

## DECAL APPLICATION:

- 1.Cut decals from sheet as needed
2. Dip the decal in warm water for about 10 seconds and then place on soft clean cloth.
3. Hold the decal backing sheet edge and gently slide the decal onto the model in its proper position.

4. While still wet,decal can be adjusted for better fit on model by dampening it gently with your finger.
5. When placed in the proper position,gently press decal down with a soft cloth until excess water and air bubbles are gone.
6. Allow decal to dry completely before handling model



部品图  
Parts

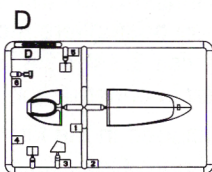
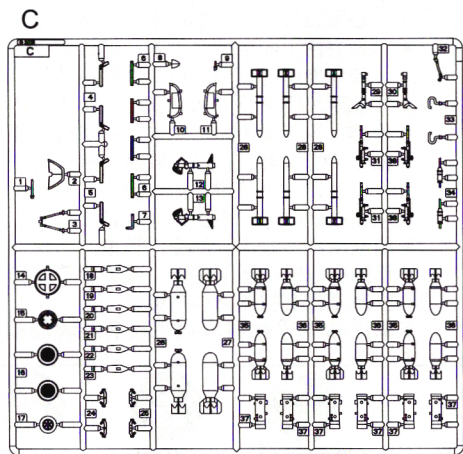
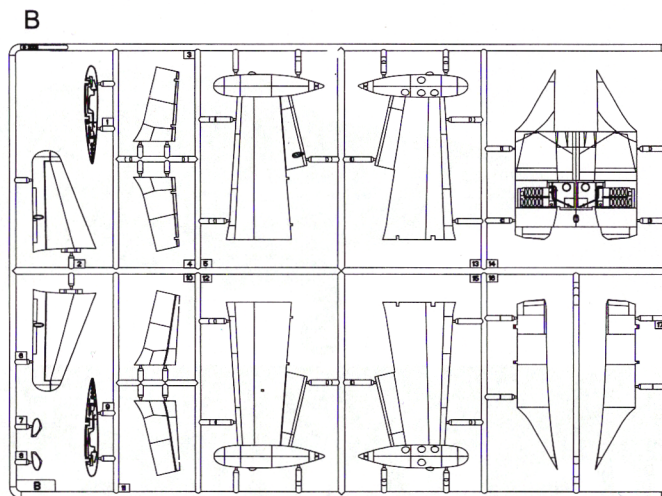
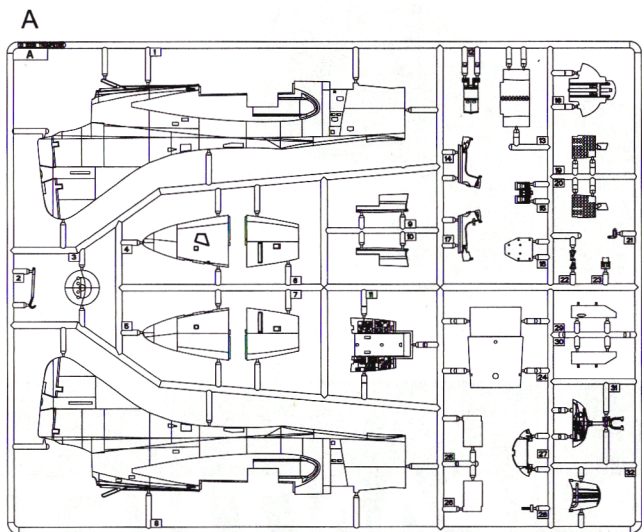
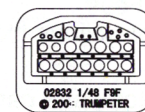
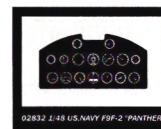


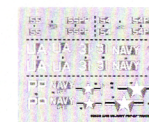
Photo Etched parts(PE)



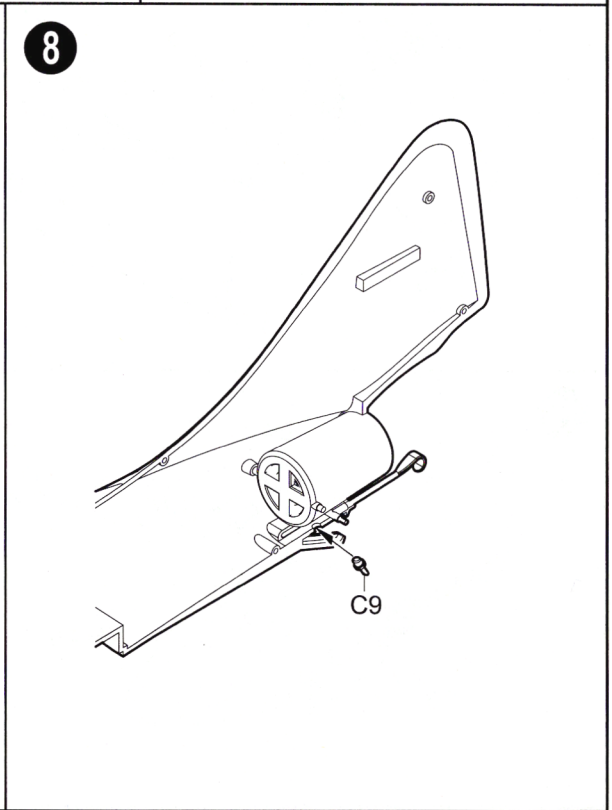
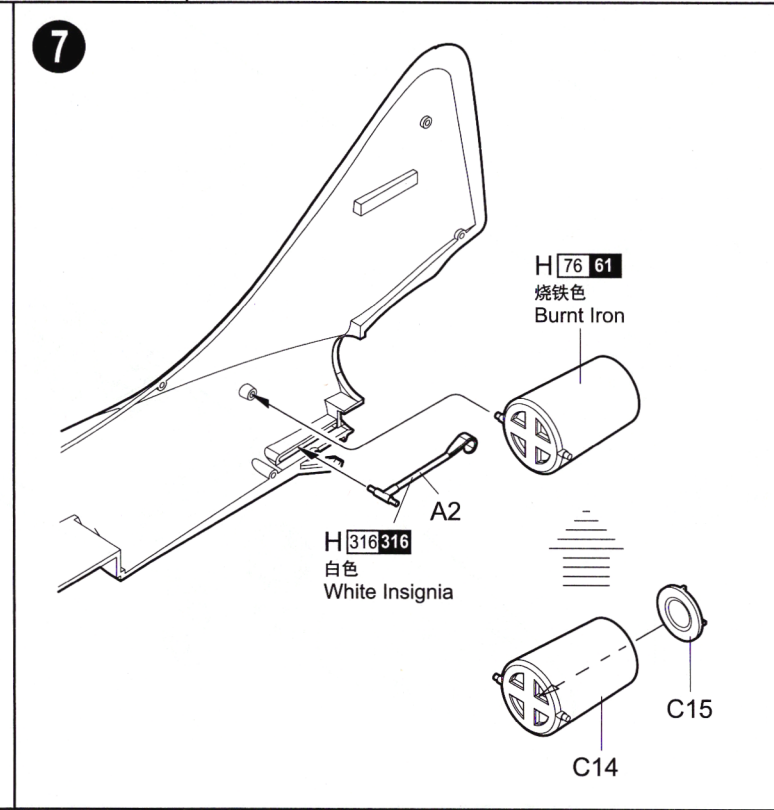
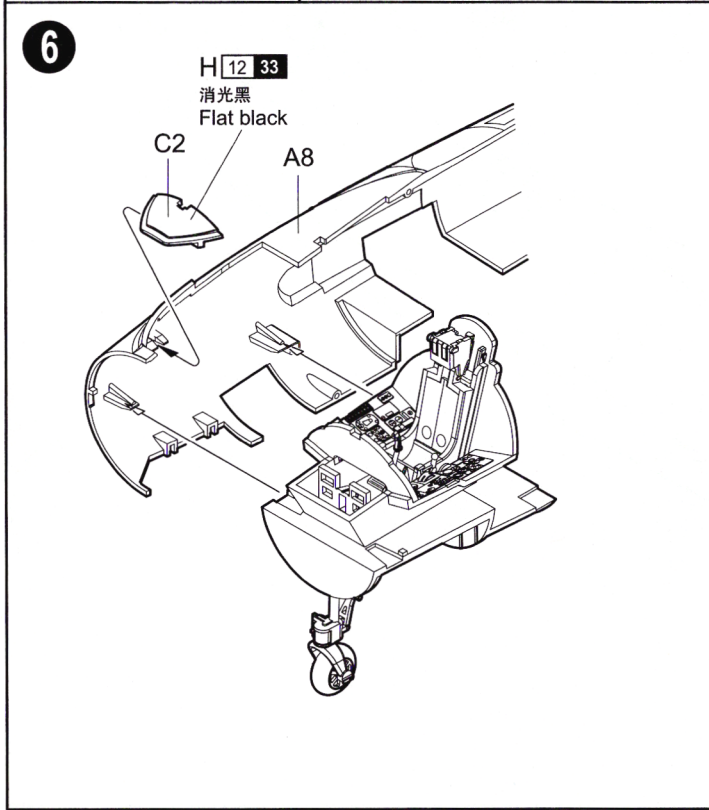
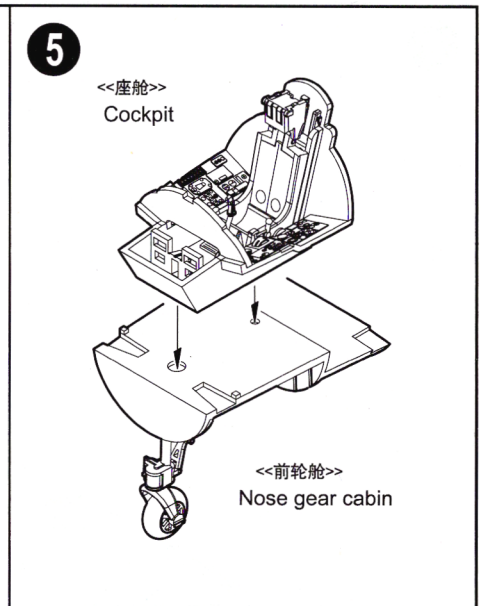
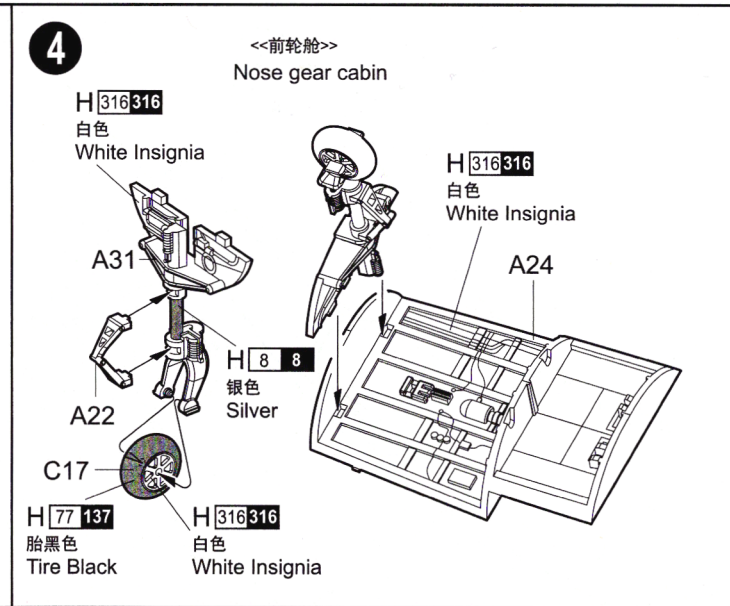
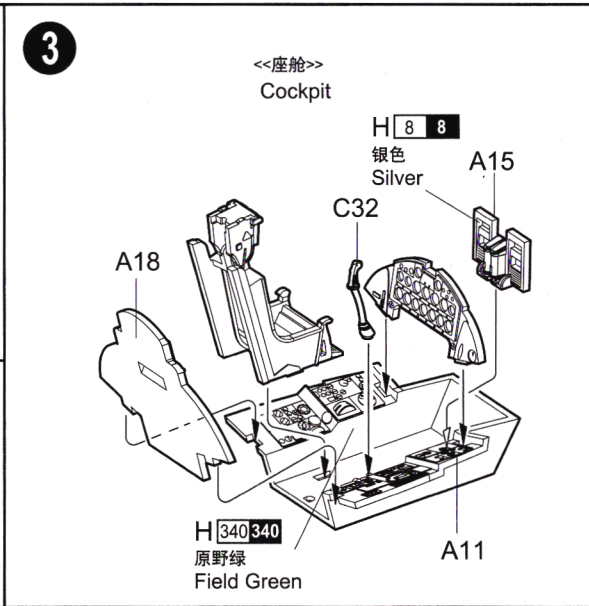
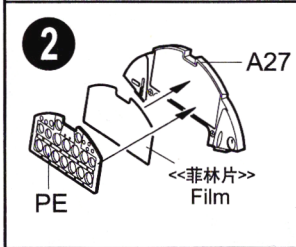
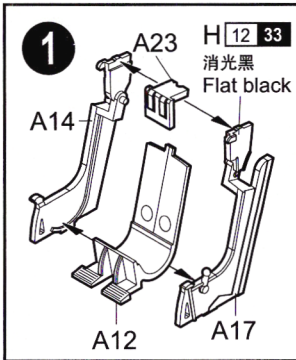
<<菲林片>>  
Film

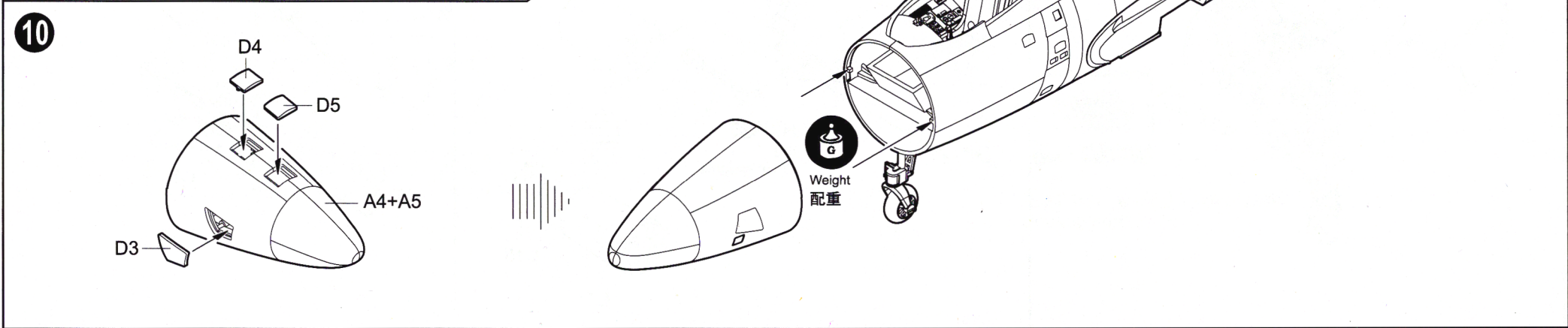
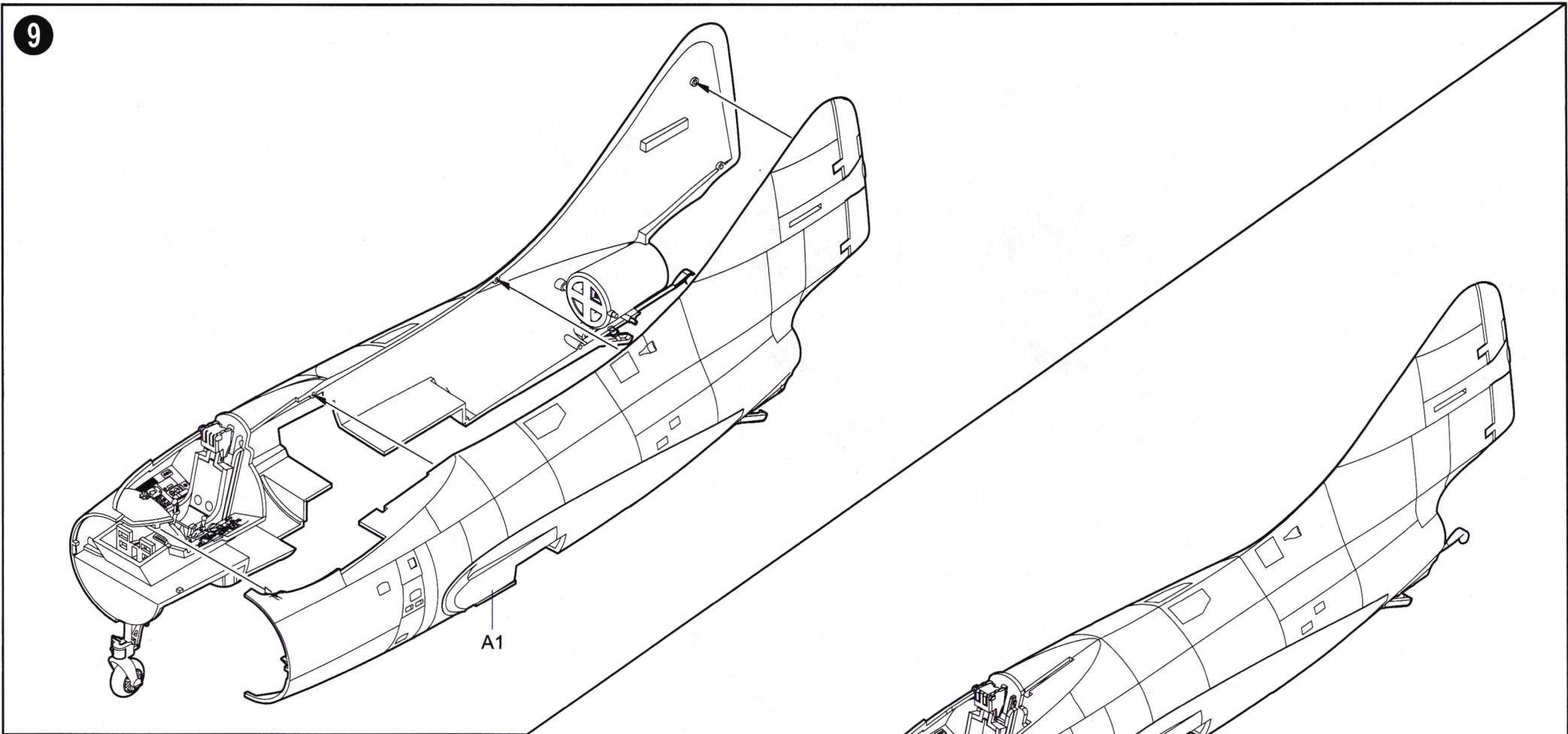


<<水贴纸>>  
Decal

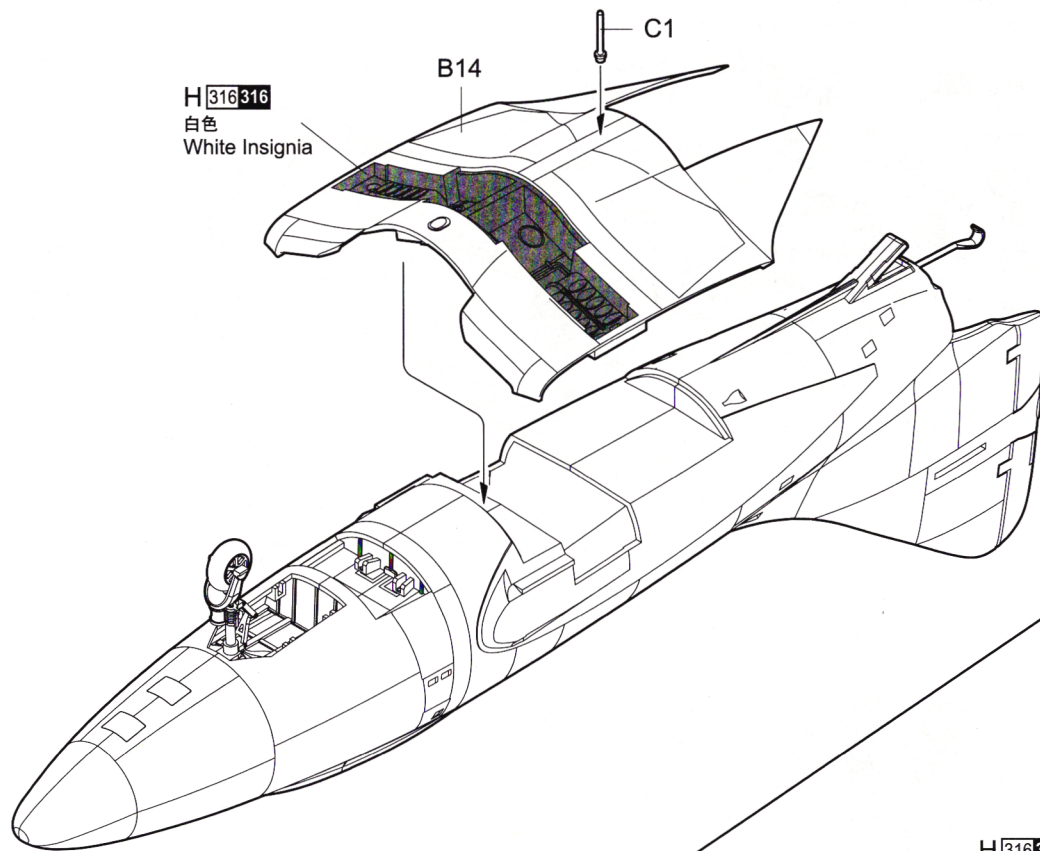


不用的部件: A3,A6,A7,A16,C31,C38  
Unused parts:

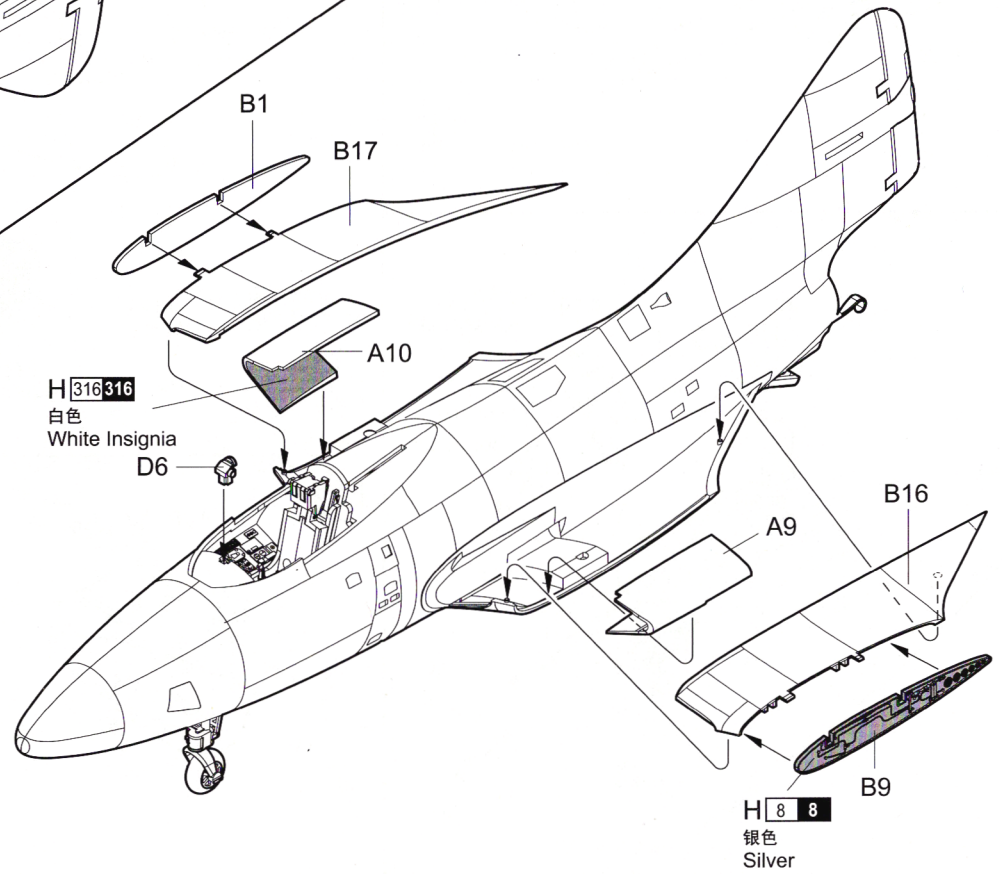




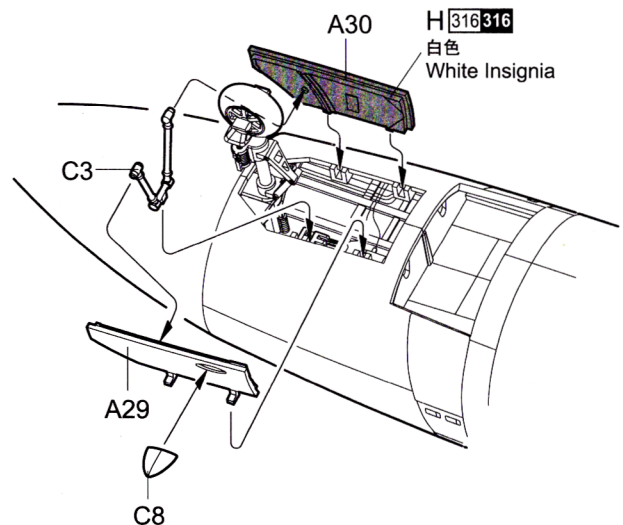
11



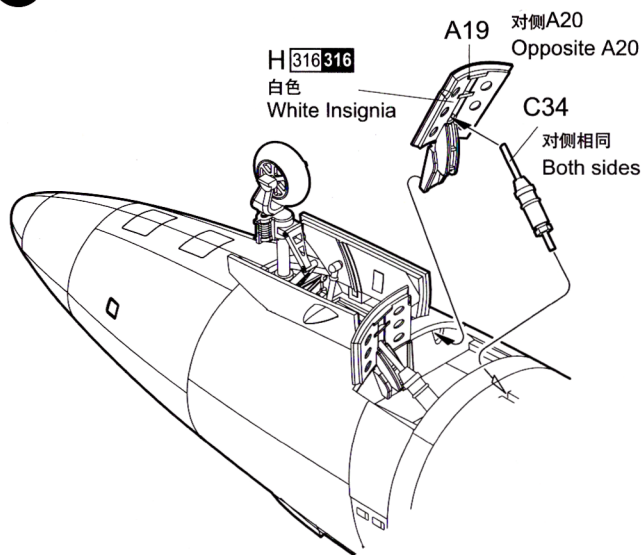
12



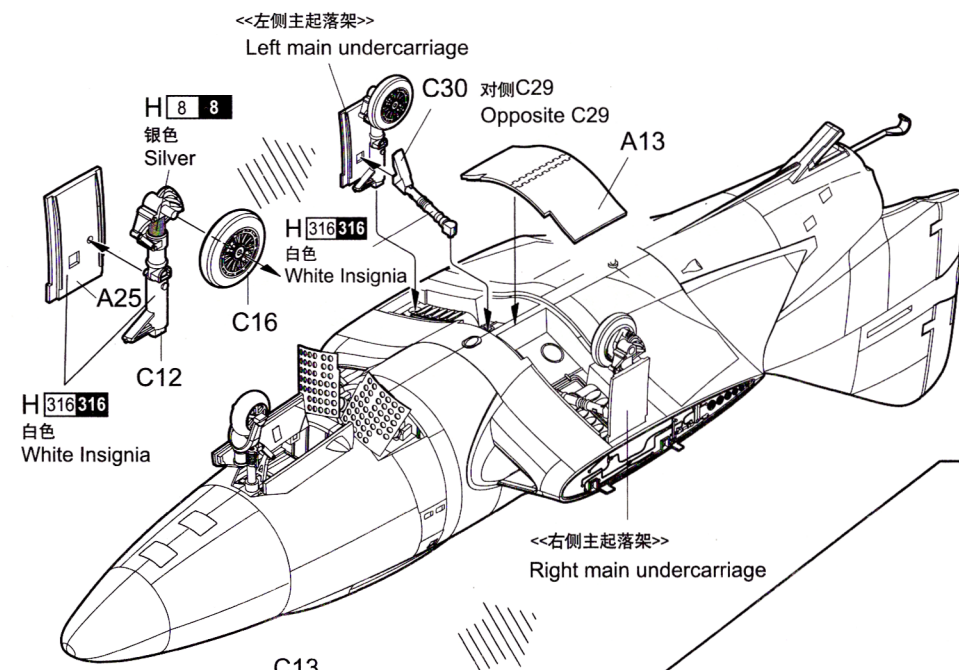
13



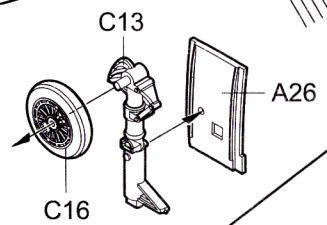
14



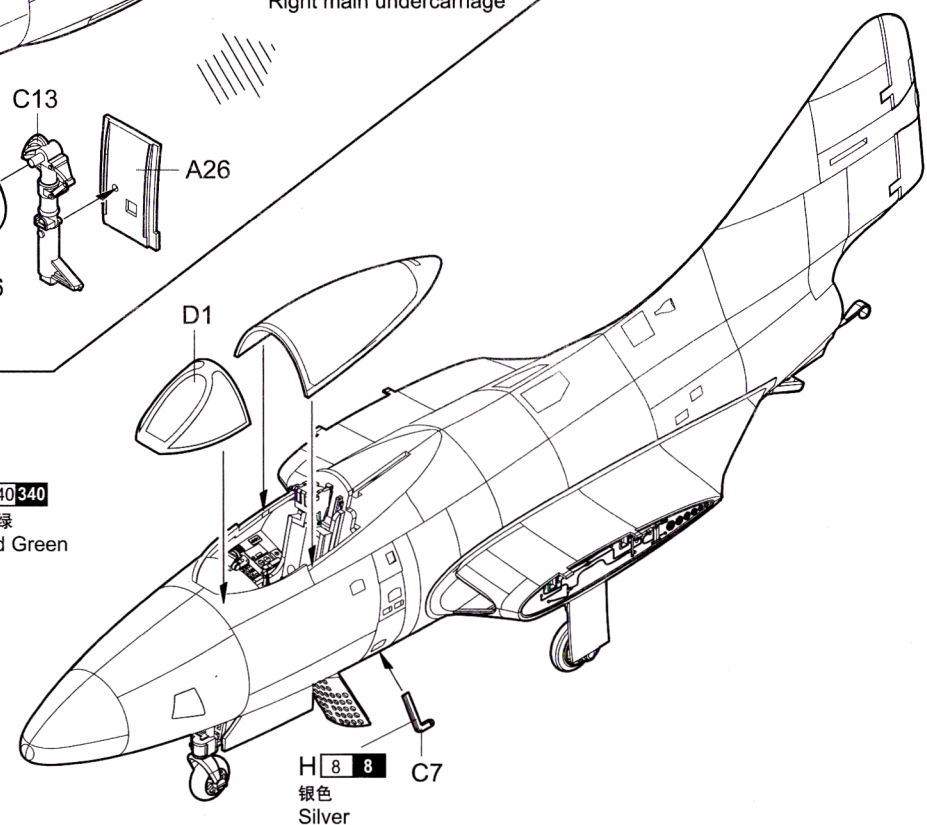
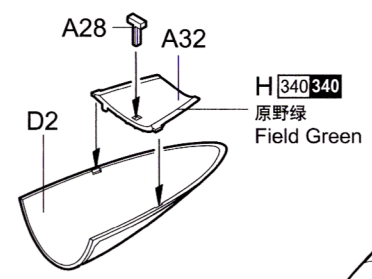
15



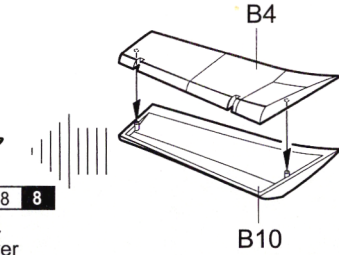
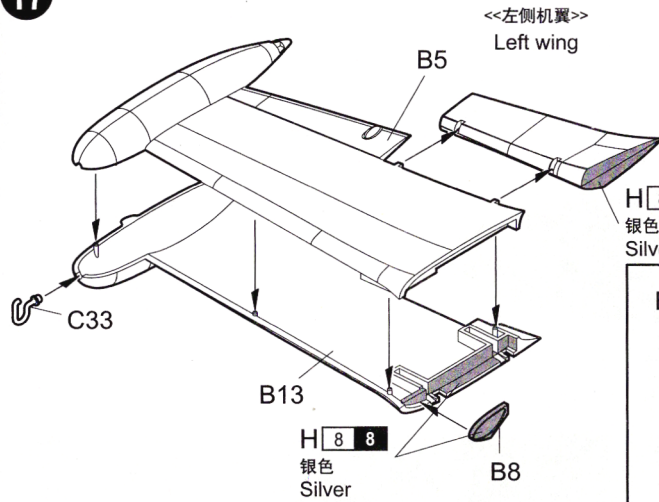
<<右侧主起落架>>  
Right main undercarriage



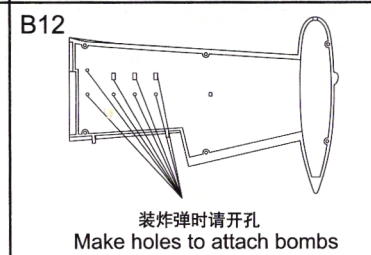
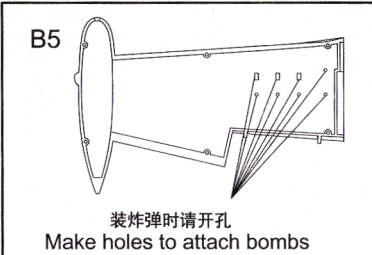
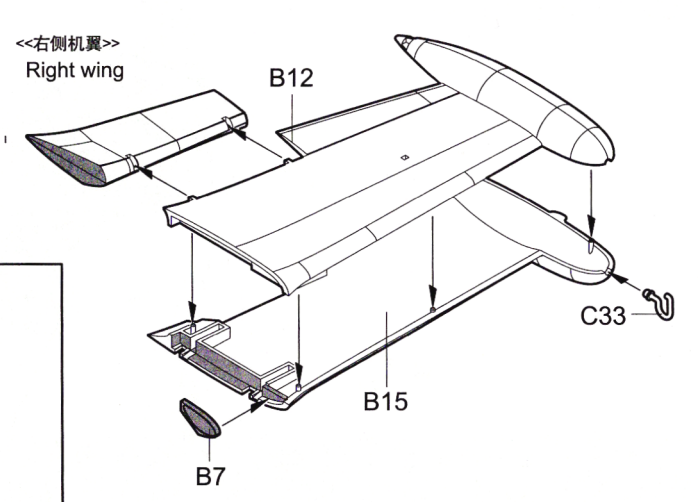
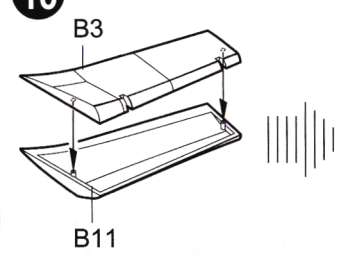
16



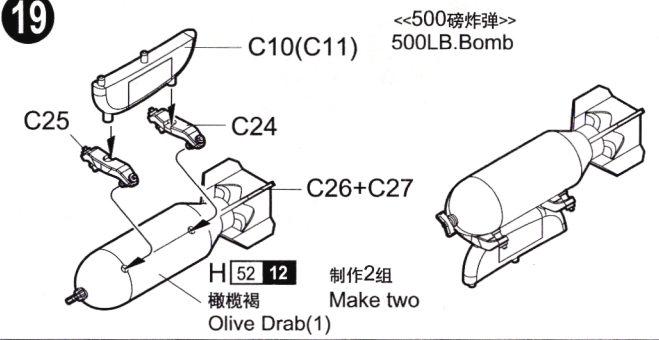
17



18



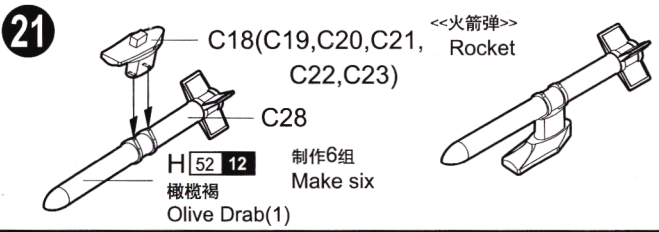
19



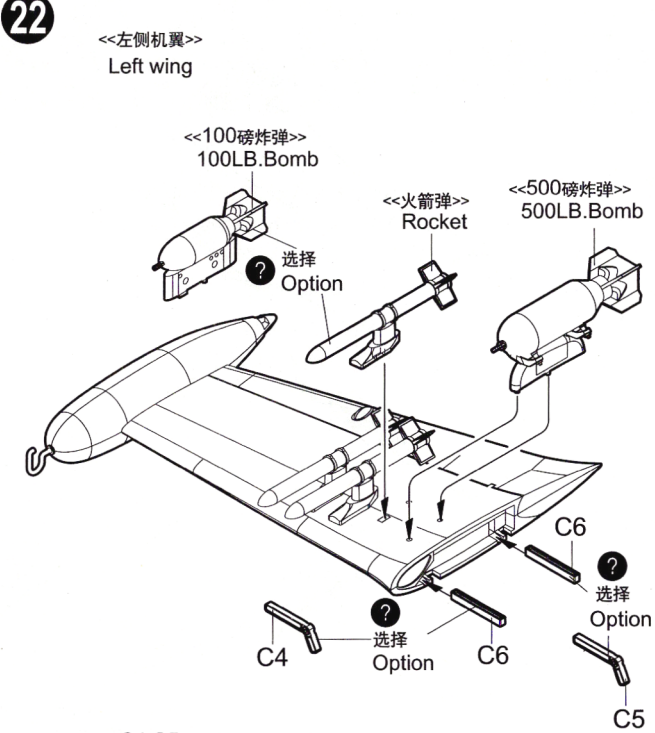
20



21

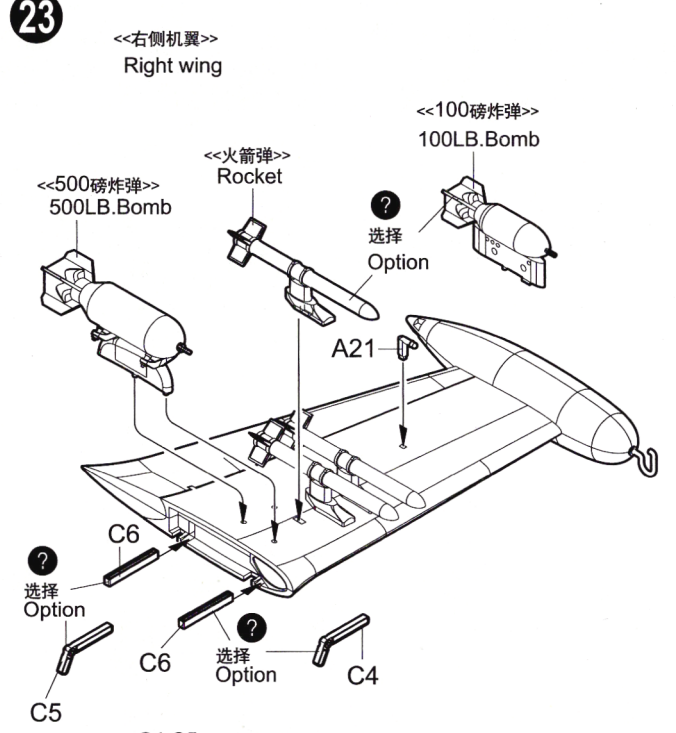


22

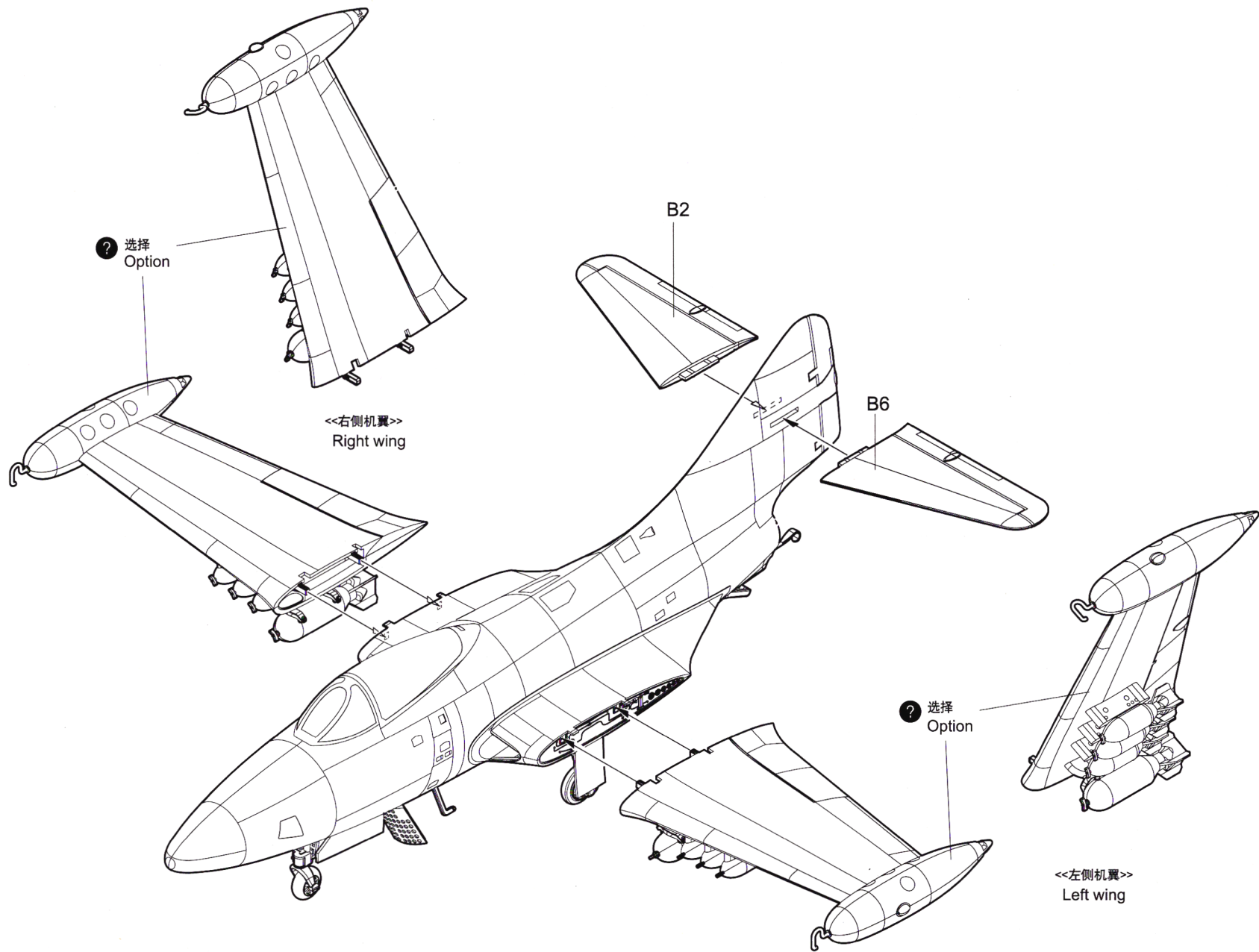


C4,C5仅在机翼折叠时使用  
Use C4&C5 when folding wings

23



C4,C5仅在机翼折叠时使用  
Use C4&C5 when folding wings





# 涂装同标贴指示 Painting & Marking guide

Gunze					
H 94	透明绿	Clear Green	H 304 304	橄榄色	Olive Drab
H 4 4	黄色	Yellow	H 316 316	白色	White Insignia
H 90 47	透明红	Clear Red	H 365	海军蓝	Deck Blue



郡仕色使用  
Gunze Mr. color used

H [X] GUNZE SANGYO AQUEOUS HOBBY COLOUR    X GUNZE SANGYO MR COLOUR

155

3

LIFE

155PP

2

155PP

154

6

Look

154PP

5

154PP

UA

7

UA

8

31

9

31

10

NAVY

11

F9F-2P  
123709

12

UA

UA

31

31

NAVY

12

F9F-2P  
123709

PP

13

NAVY

14

VC6I



15



18

17



PP

NAVY

VC6I



16

17



18

02833 1/48 US.NAVY F9F-2P "PANTHER"