



M1129 Stryker Mortar Carrier Vehicle (MC-B)

美国M1129 “斯崔克”迫击炮车

READ BEFORE ASSEMBLY:

- Study and understand these instructions thoroughly before beginning assembly
- When needed, remove photo-etch parts carefully using a modeling knife or photo etch sprue cutter, being careful not to damage or lose small parts.
- Take extra care in handling photo etch parts in order to avoid injury
- Apply instant cement sparingly to photo etch parts where instructed
- Tools recommended(not included in kit):Plastic and instant cements, sprue cutters,long nose pliers,modeling knife, small files, tweezers, pin vise & scissors. Soft cloth and sandpaper will also assist in construction
- Glue and paint are not included in the kit. Use plastic cement and hobby paints only. Color guide for purchasing paint is included in the kit.

装配之前仔细阅读

- 小心用模型锉刀锉平所有零件表面的注射浇口。
- 小心用刀片切下蚀刻片零件，不要遗失小零件。
- 用强力快干胶水粘合蚀刻片零件和金属轴。过量快干胶水使用可能导致可动零件会粘住，小心涂胶。
- 取蚀刻片时应特别注意安全，防止利边划伤手指。
- 某些零件表面需贴上水贴纸，请选择在装配的同时进行。
- 推荐模型工具(自备)：胶水，水口剪刀，长咀钳，刀片，锉刀，镊子，钳，钻，剪刀，瞬间快干胶。
- 软布同砂纸同时也应该是必备工具。
- 请使用塑料胶水和油漆，模型内不含。



配重
Weight



使用强力胶
Cyanoacrylate glue



钻孔
Make hole



切除
Cut / Remove



贴纸
Decal



锉平
File / Sand



选择
Option



不涂胶水
No cement



弯曲
Bend

水贴纸的使用:

- 1.从水贴上剪下印花;
- 2.将印花放入温水中浸10秒, 然后放在干净布上。
- 3.拿着印花纸板将印花移到模型上;
- 4.手指蘸水将印花移到适当的位置;
- 5.用软布轻压印花直至水干, 气泡消失

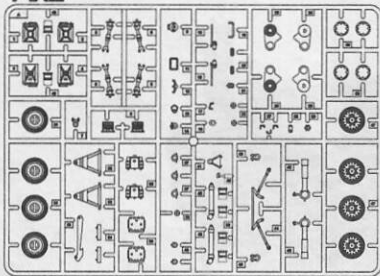
DECAL APPLICATION

- 1.Cut decals from sheet as needed
- 2.Dip the decal in warm water for about 10 seconds and then place on soft clean cloth.
- 3.Hold the decal backing sheet edge and gently slide the decal onto the model in its proper position.

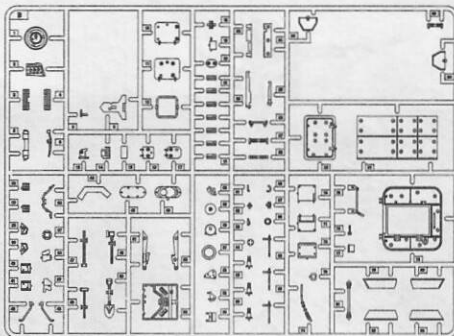
- 4.While still wet,decal can be adjusted for better fit on model by dampening it gently with your finger.
- 5.When placed in the proper position,gently press decal down with a soft cloth until excess water and air bubbles are gone.
- 6.Allow decal to dry completely before handling model

部品图 parts

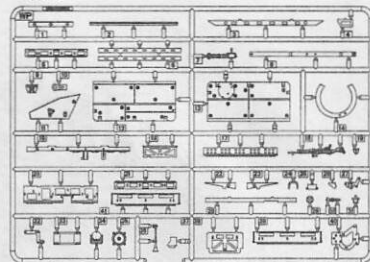
Ax2



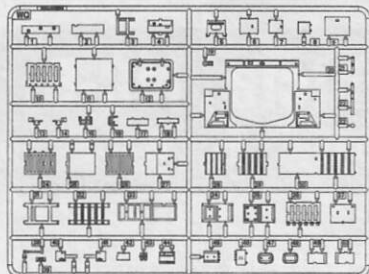
B



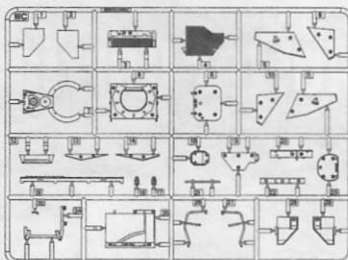
WP



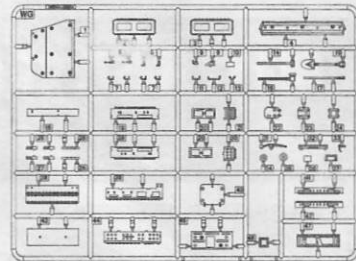
WQ



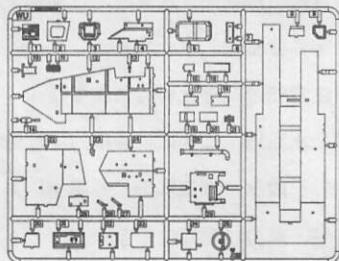
WC



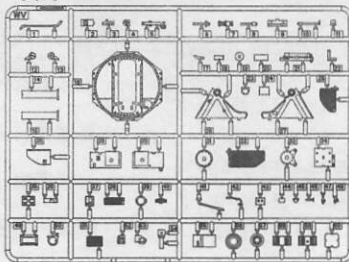
WG



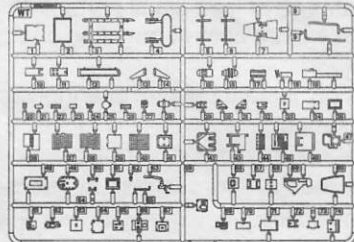
WU



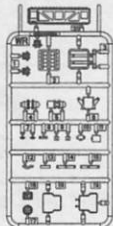
WV



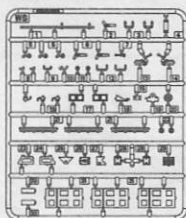
WT



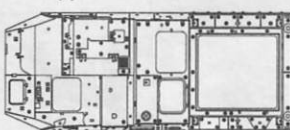
WRx2



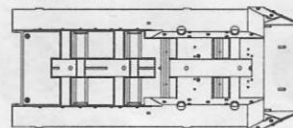
WSx2



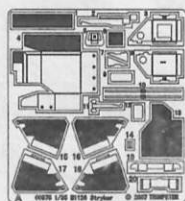
《车面》
Upper hull



《车底》
Lower hull



《蚀刻片A》
PE-A



《水贴纸》
Decal



R



《弹簧》
Spring



N



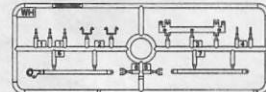
《轮胎》x8
Tyre x8



P



WH

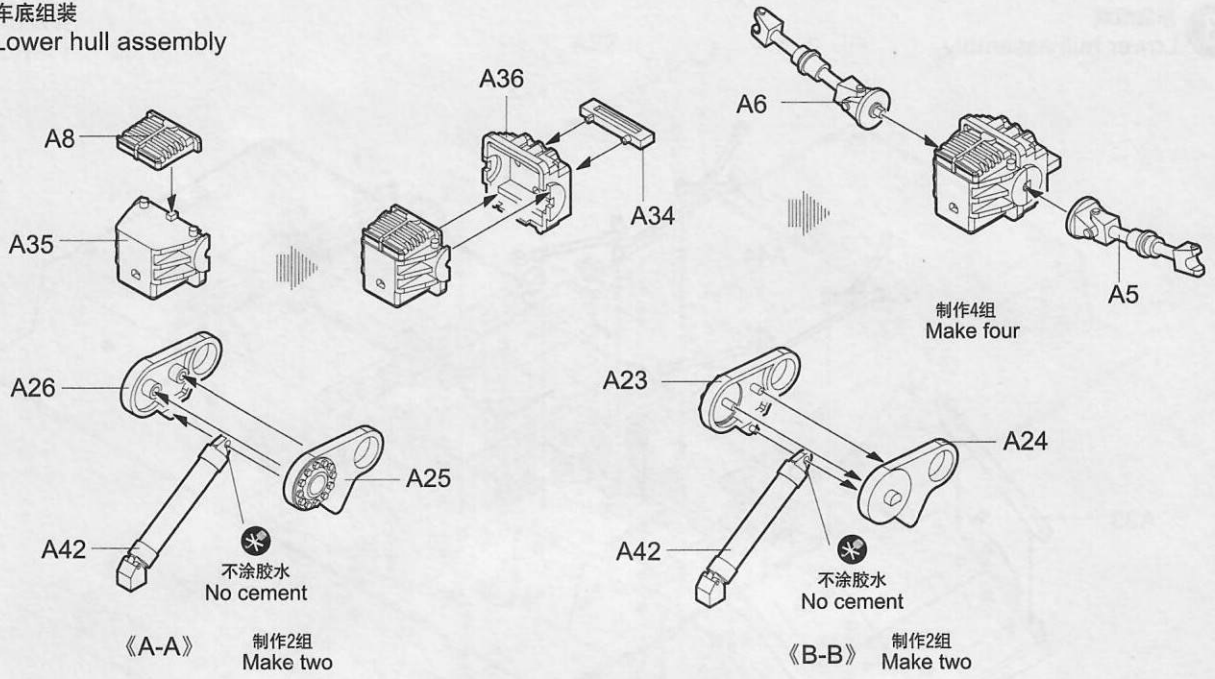


《遮盖纸》
Mask

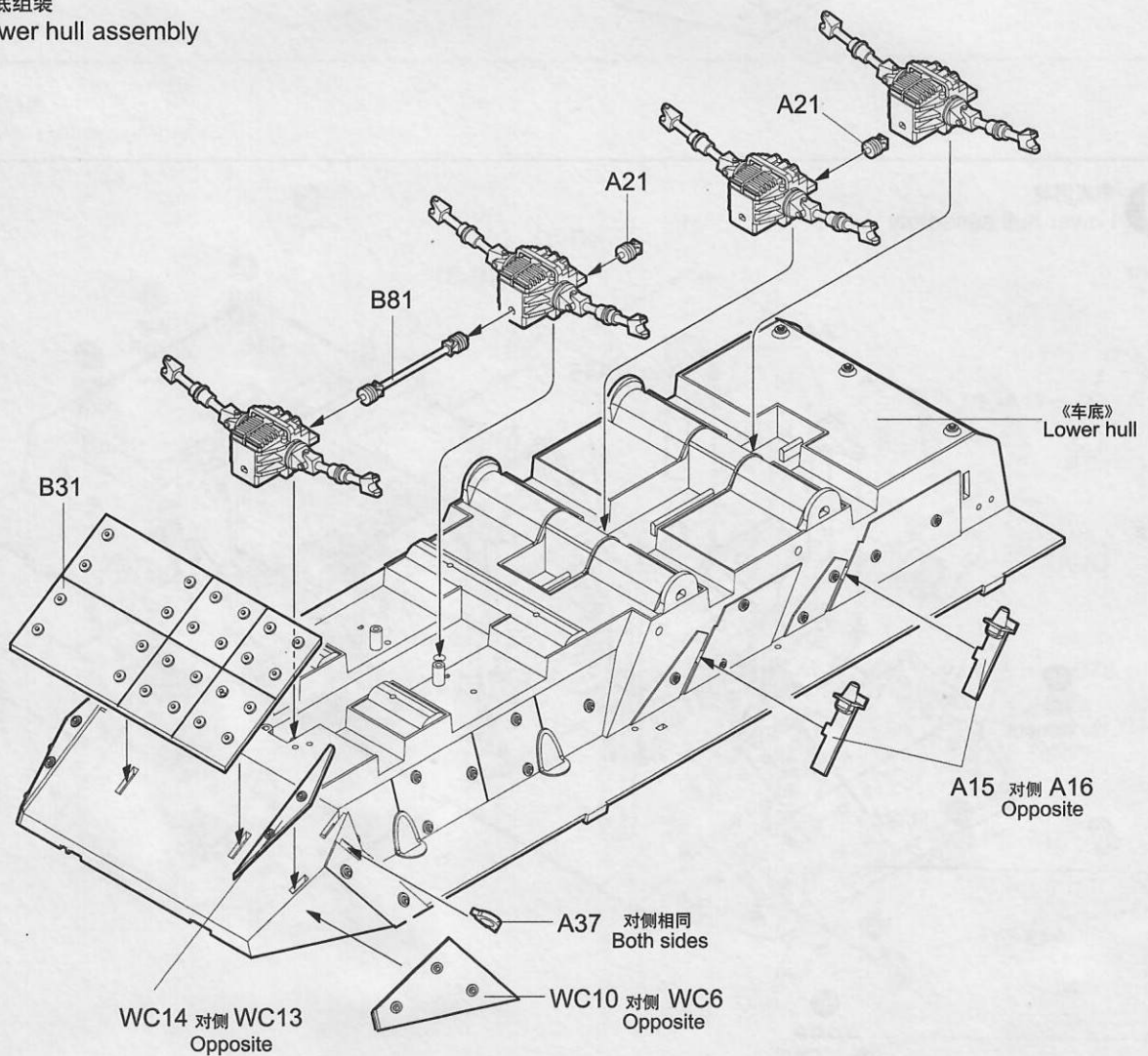


不用部品: B5, B6, B7, B10, B12, B17, B19, B29, B30, B47, B48, B49, B50, B57, B64, B85, WC7, N3, N5
Unused parts WG2, WG3, WG8, WG9, WG11, WG12, WG19, WG20, WG21, WG25, WG26, WG27, WG28, WG29, WG30
WG37, WG39, WG41, WG42, WG44, WG45

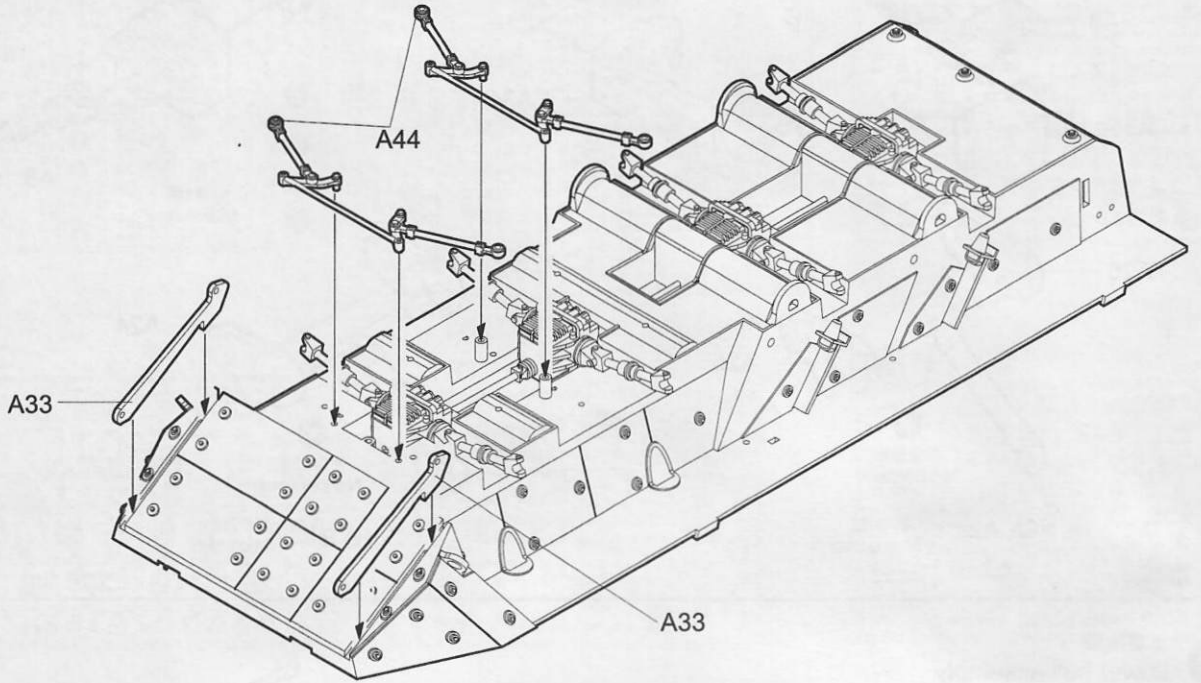
1 车底组装
Lower hull assembly



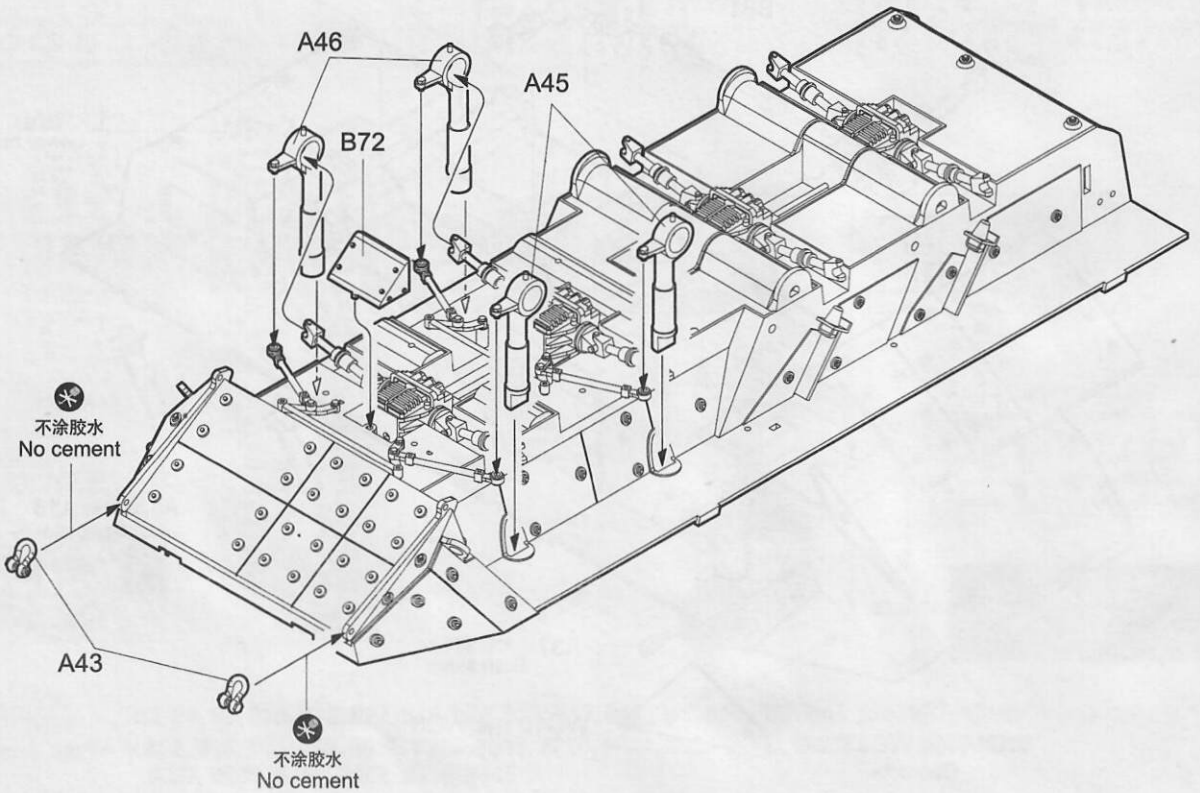
2 车底组装
Lower hull assembly



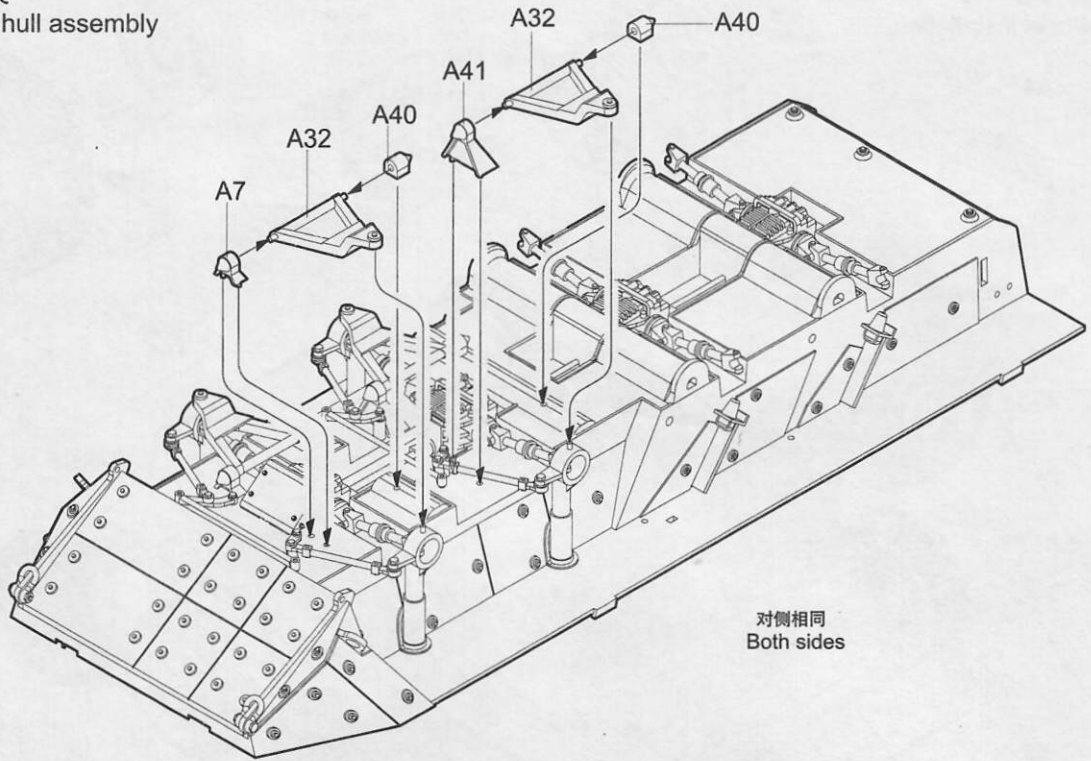
3 车底组装
Lower hull assembly



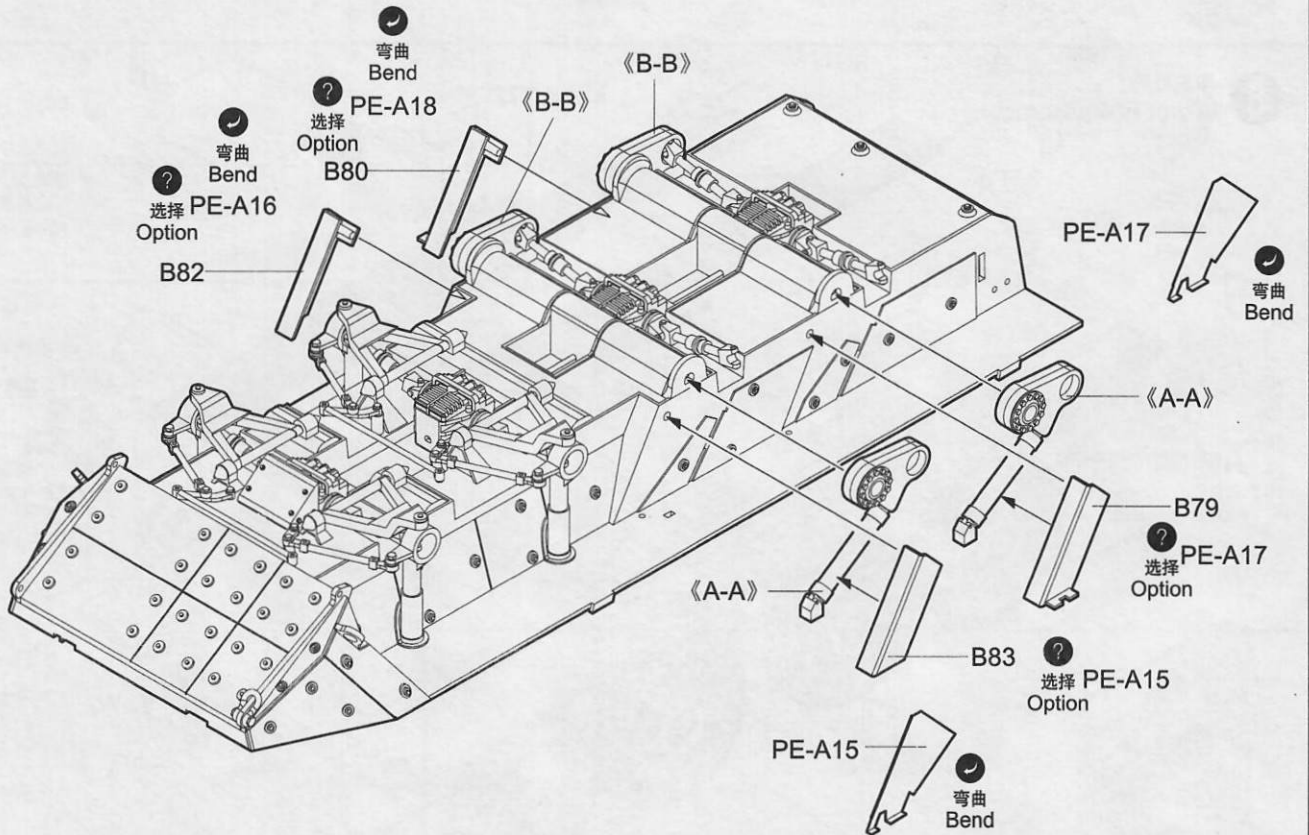
4 车底组装
Lower hull assembly



5 车底组装
Lower hull assembly

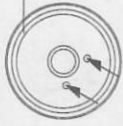


6 车底组装
Lower hull assembly

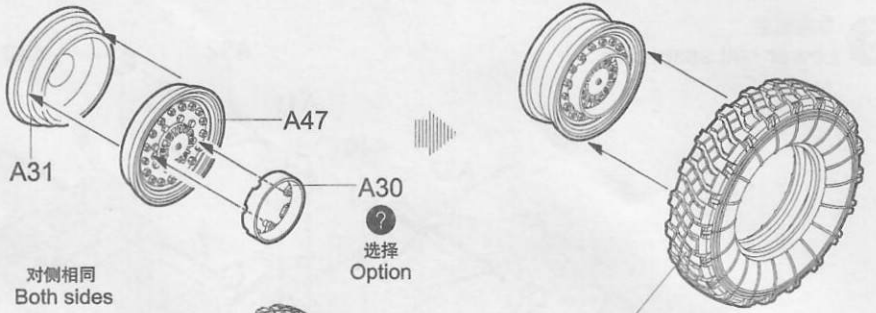


7 车轮安装
Wheel installation

A47



碰穿图中所示孔位
Make holes

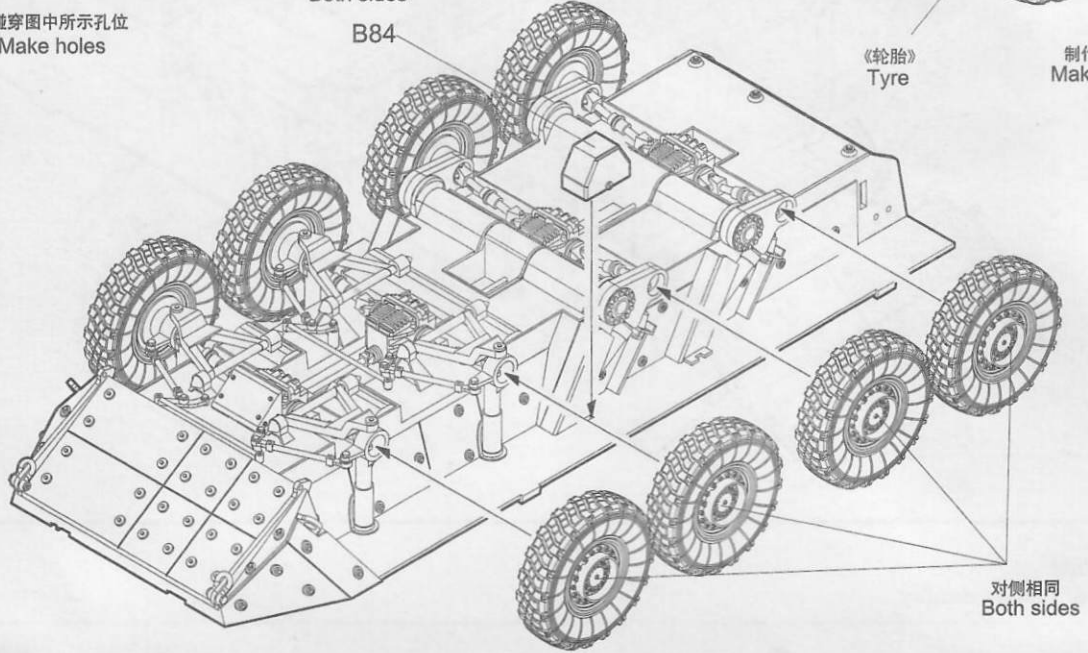


对侧相同
Both sides

选择
Option

《轮胎》
Tyre

制作8组
Make eight



对侧相同
Both sides

8 车底组装
Lower hull assembly

WT72

WT70

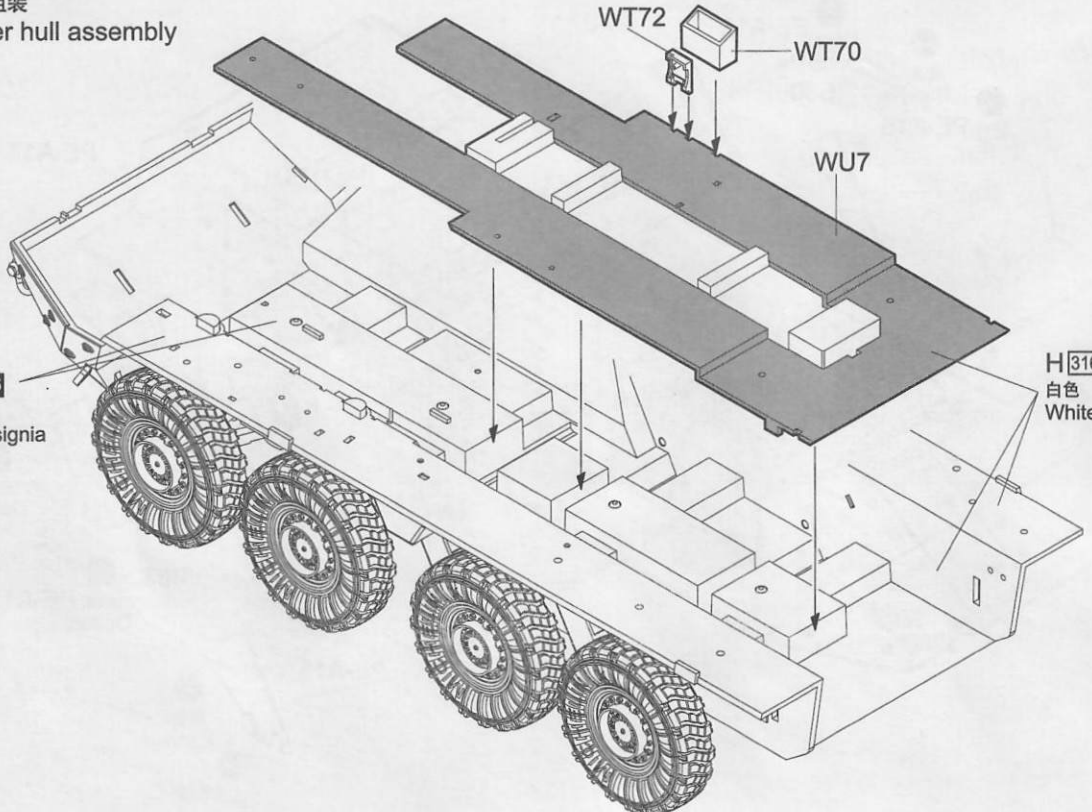
WU7

H 316316

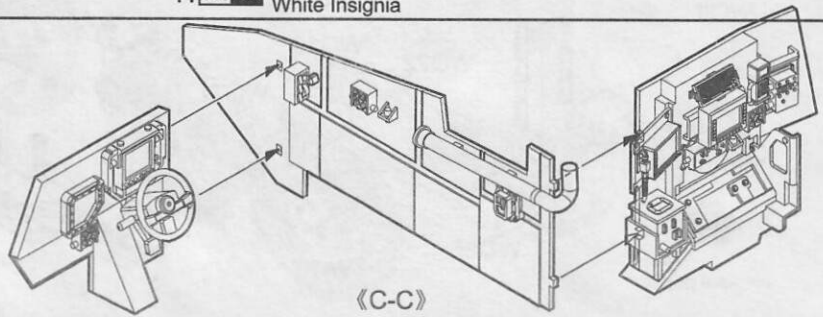
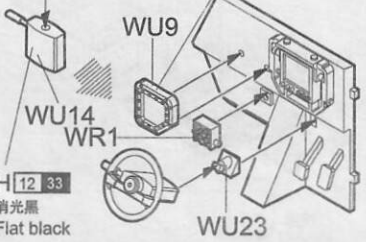
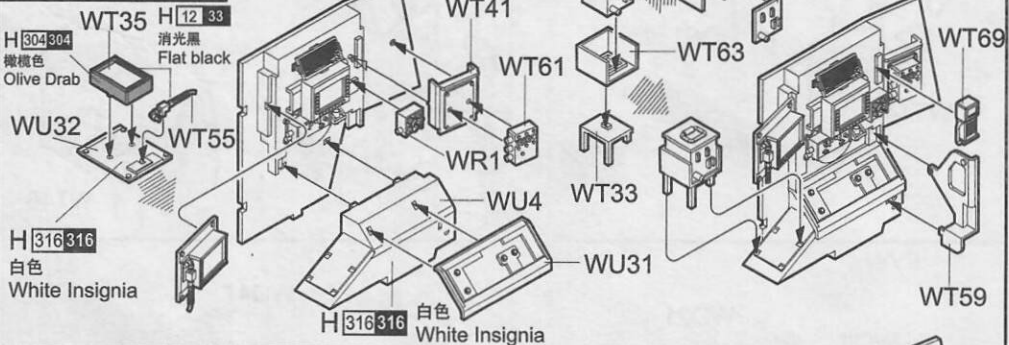
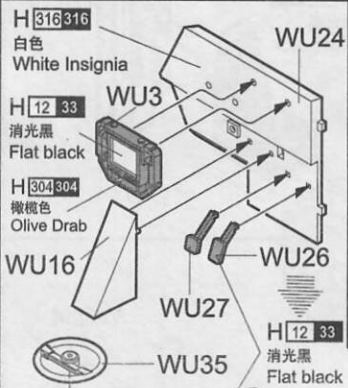
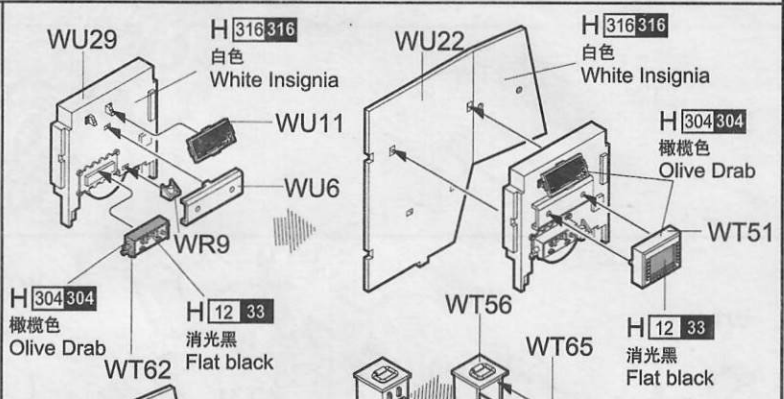
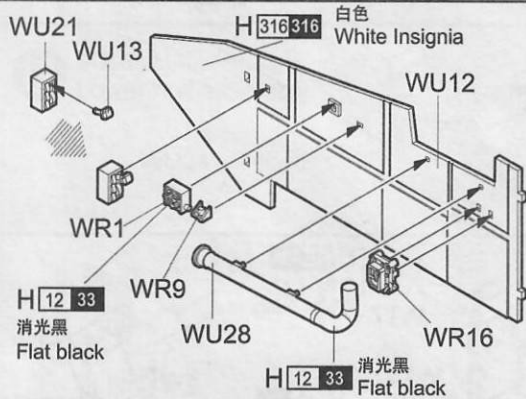
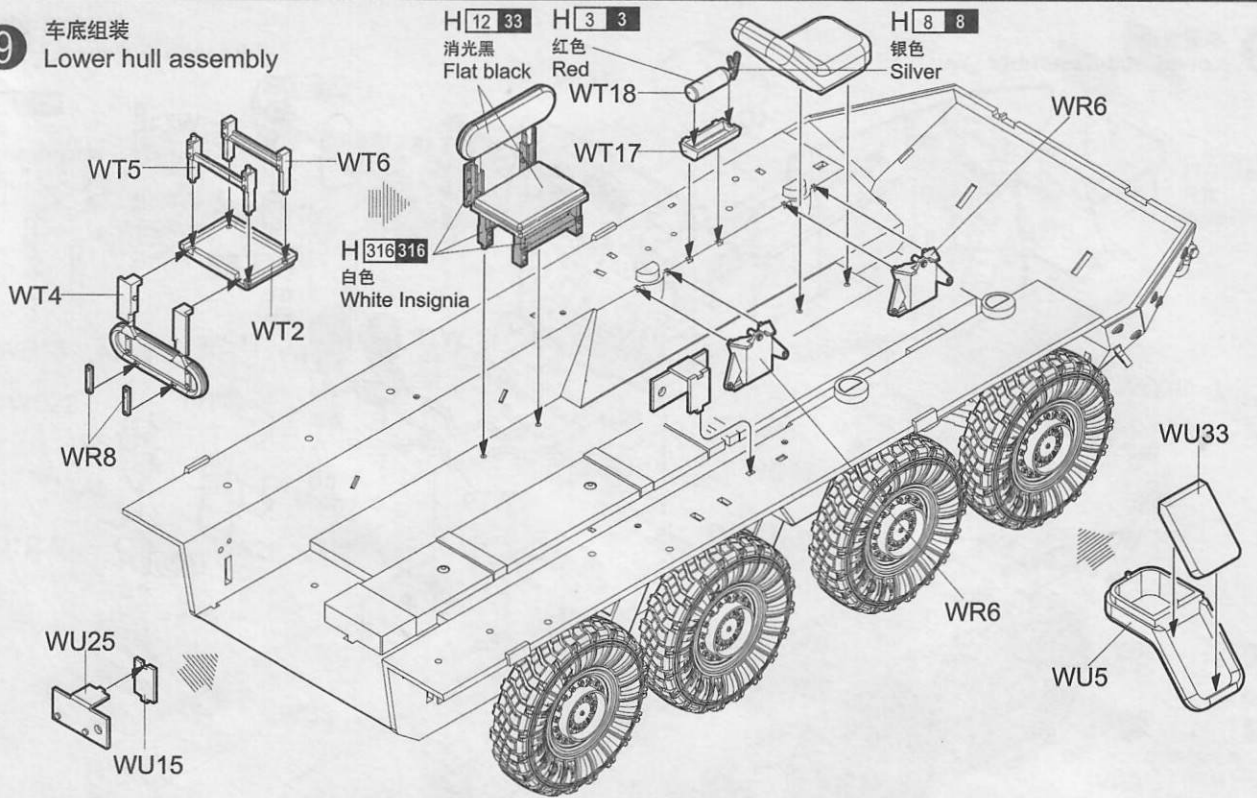
白色
White Insignia

H 316316

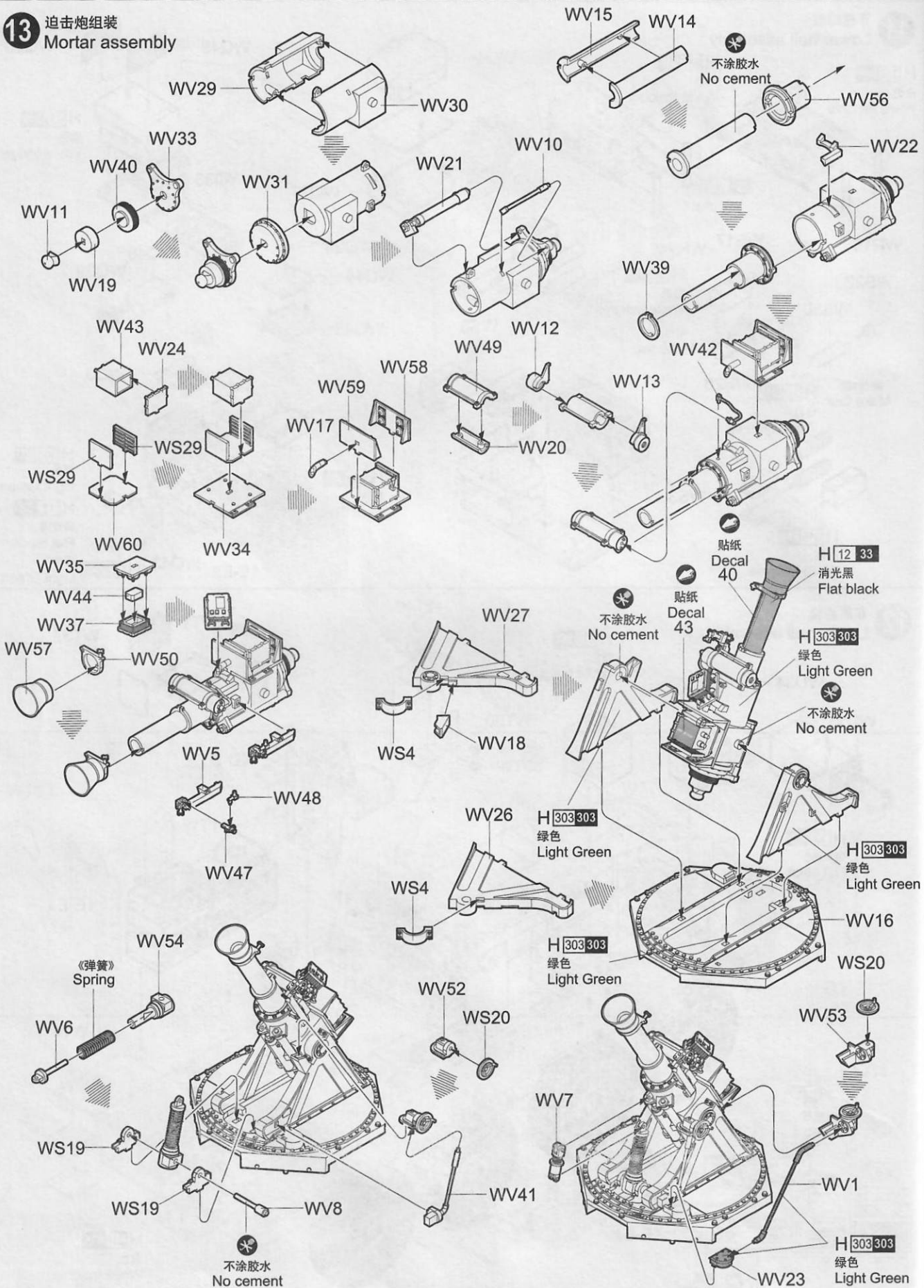
白色
White Insignia



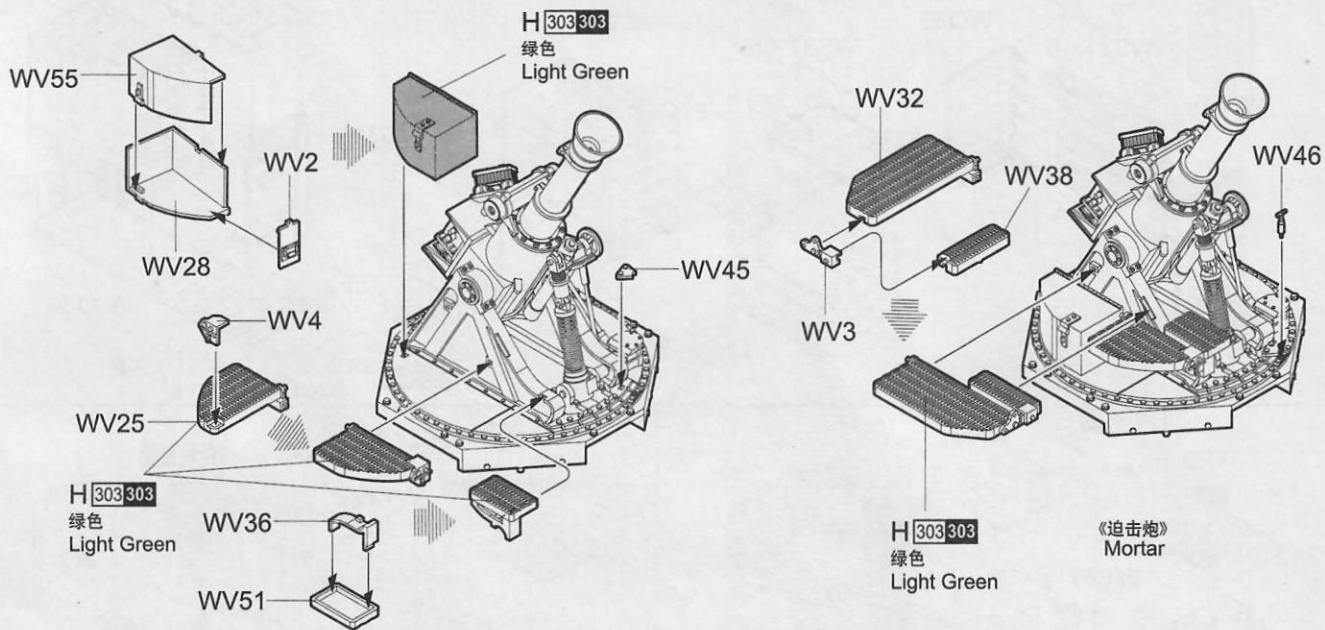
9 车底组装
Lower hull assembly



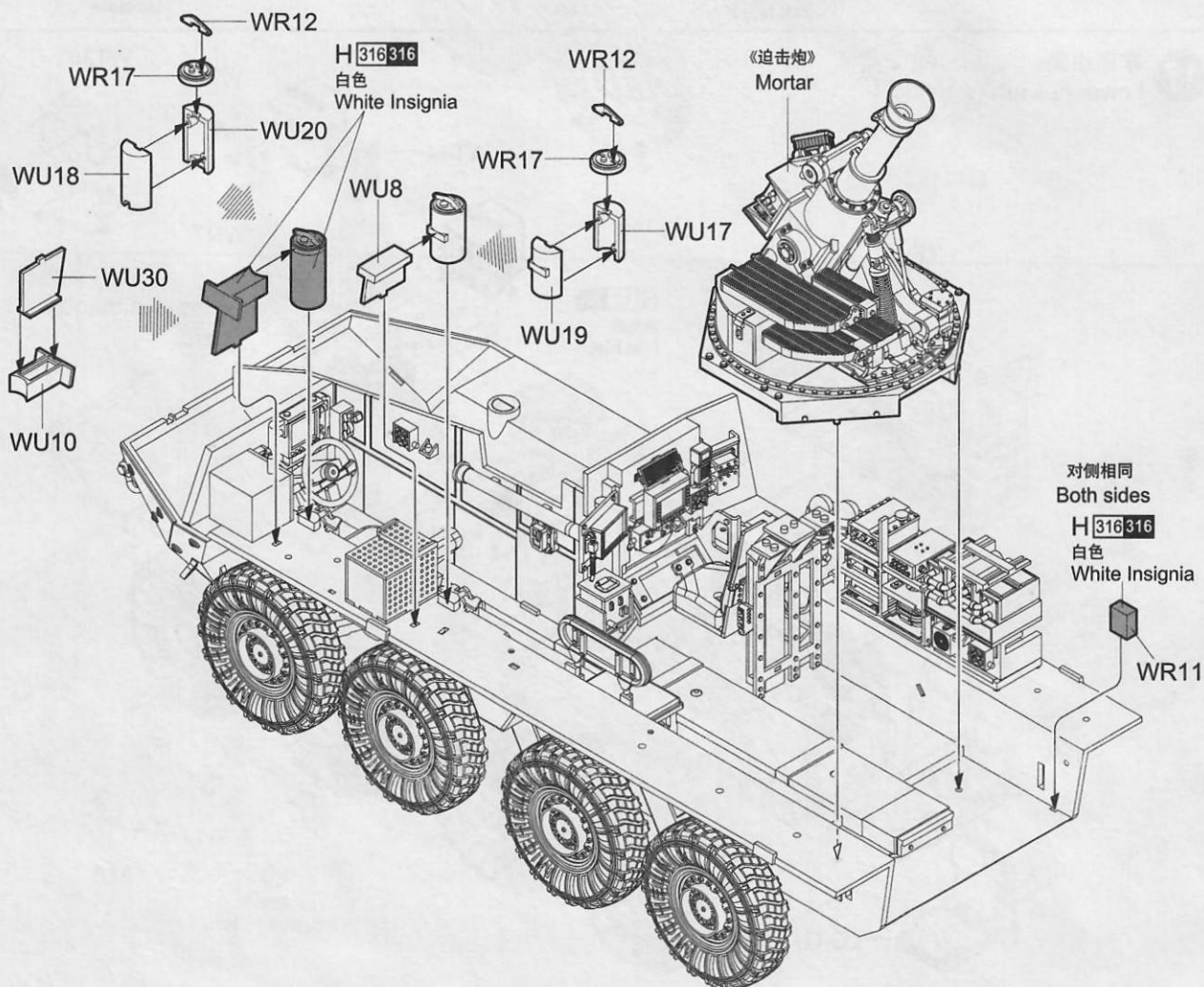
13 迫击炮组装
Mortar assembly



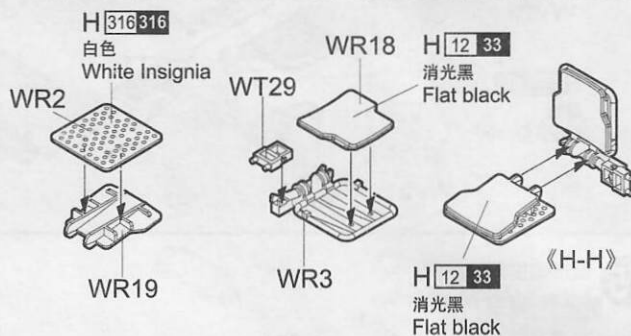
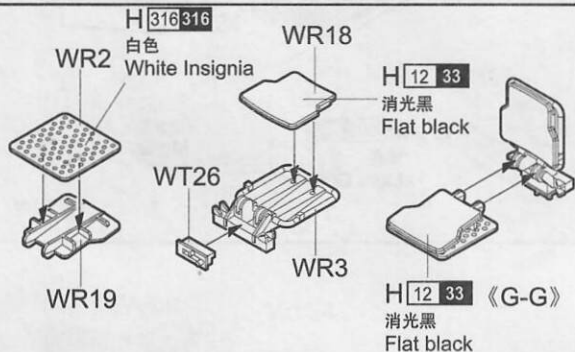
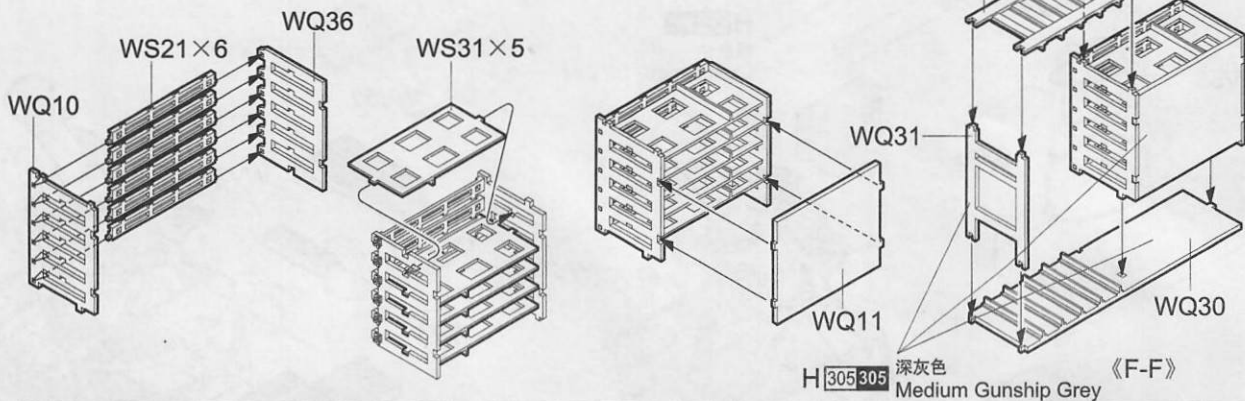
14 迫击炮组装
Mortar assembly



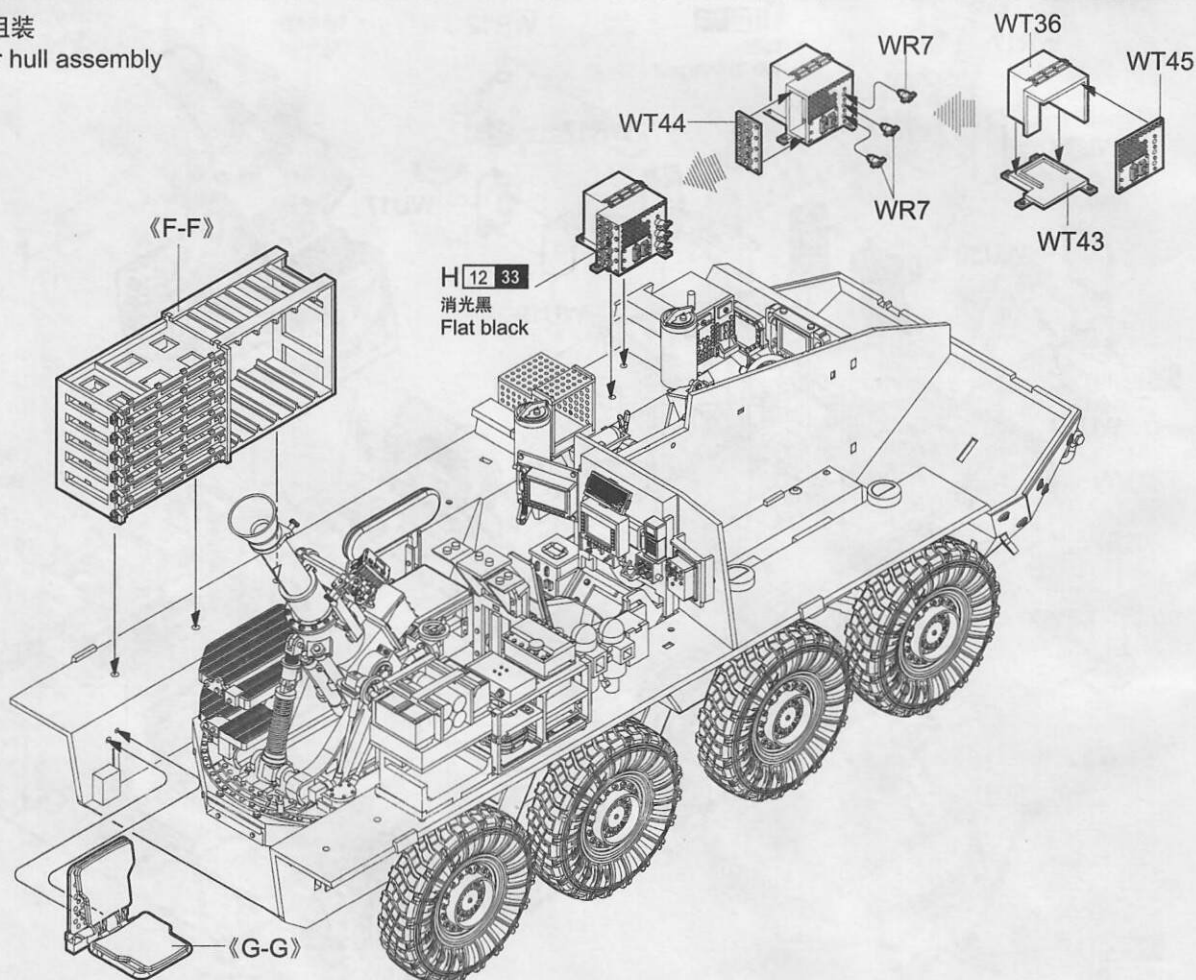
15 迫击炮安装
Attaching mortar



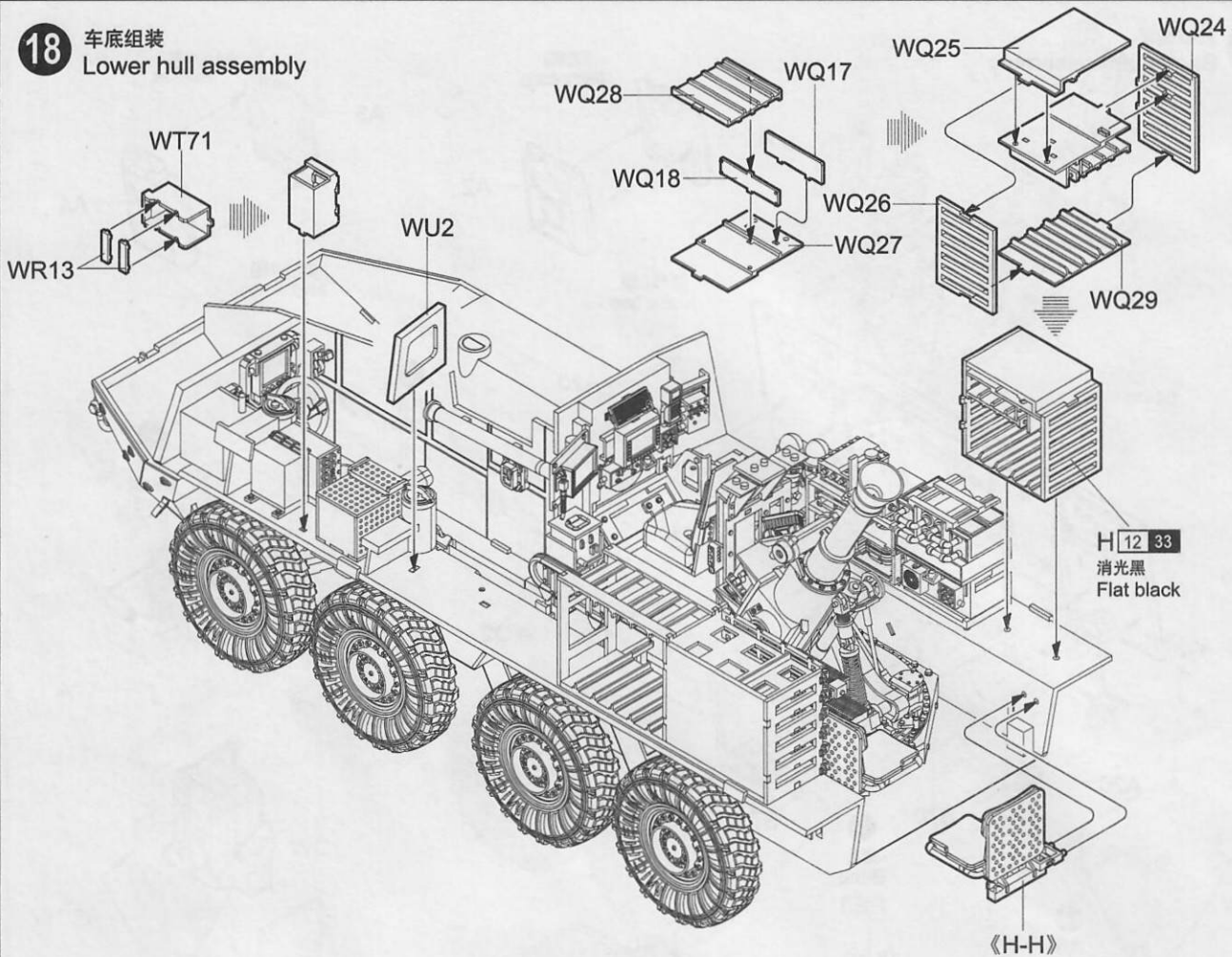
16



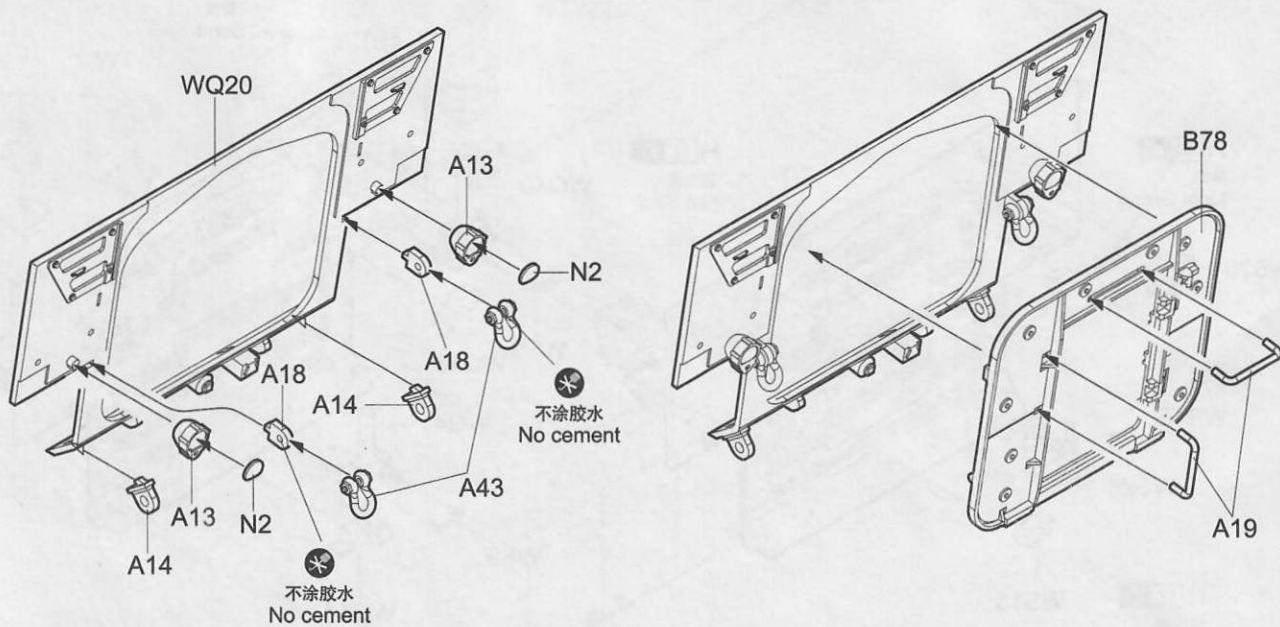
17 车底组装
Lower hull assembly



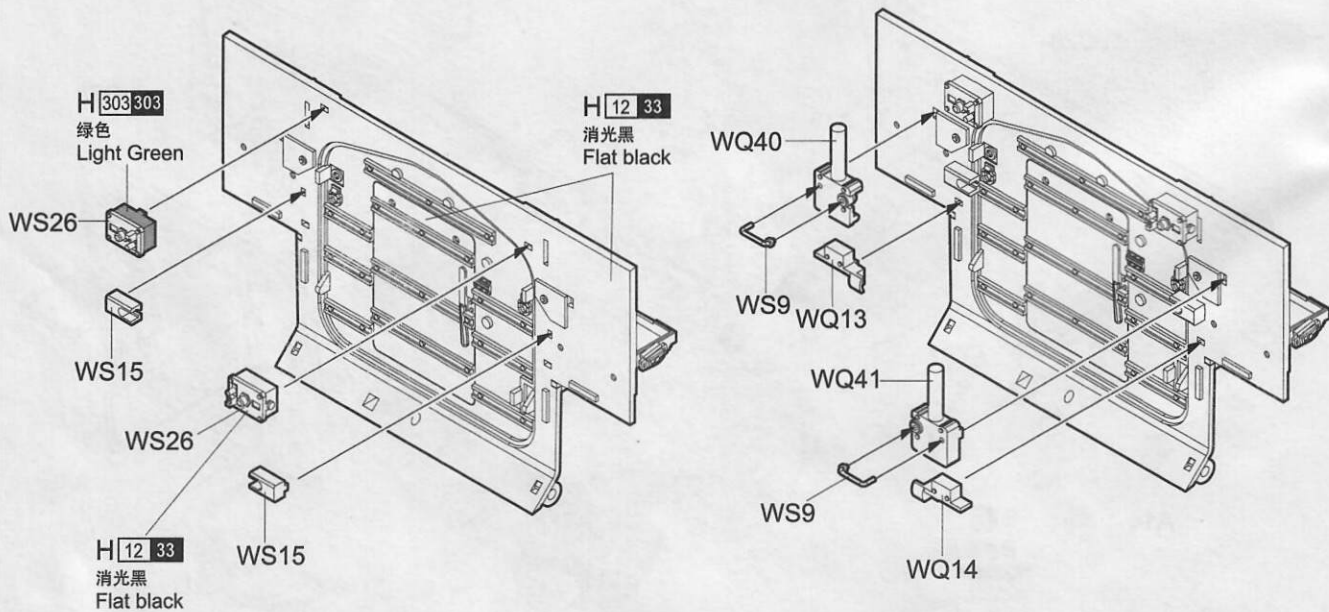
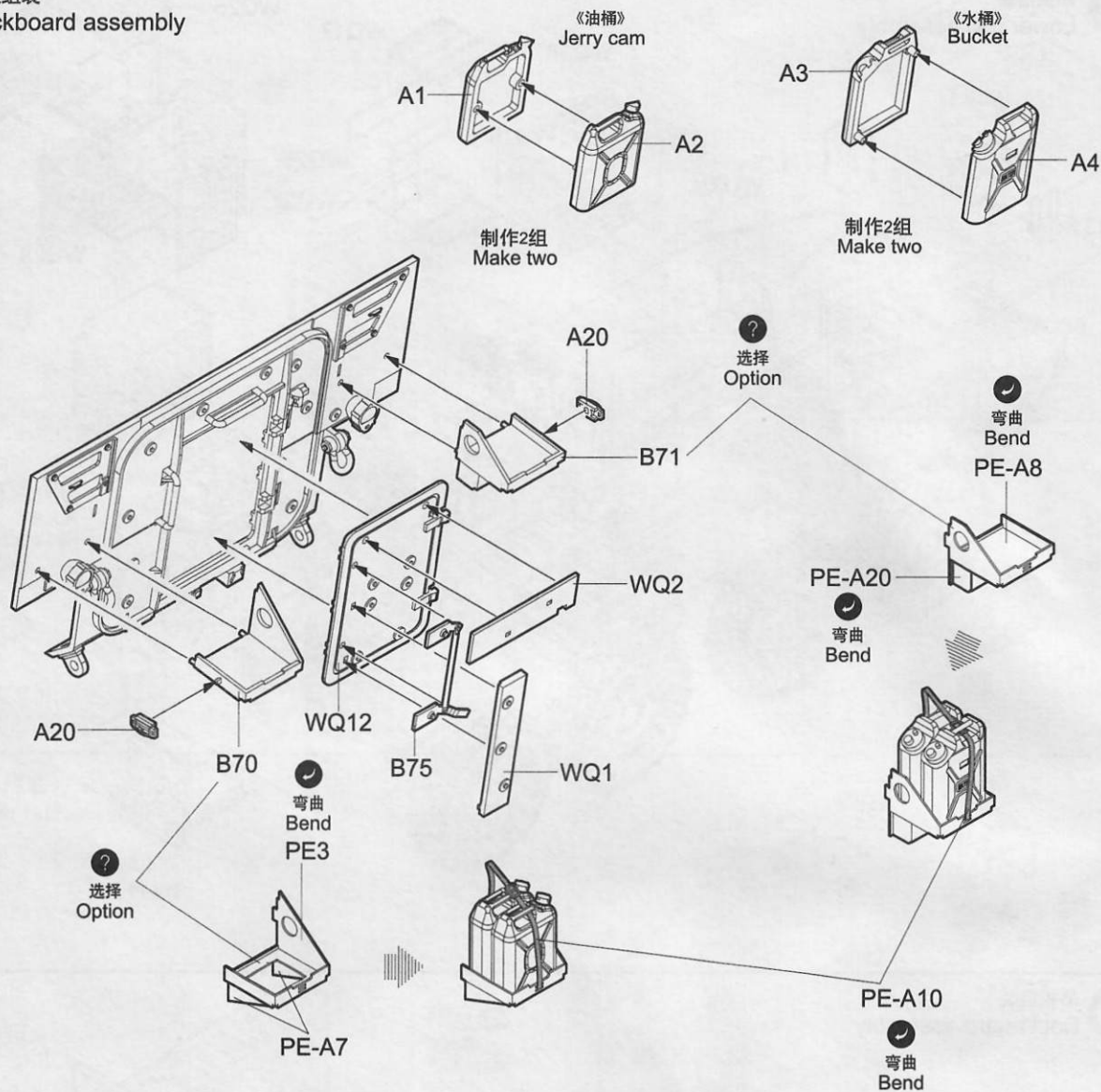
18 车底组装
Lower hull assembly



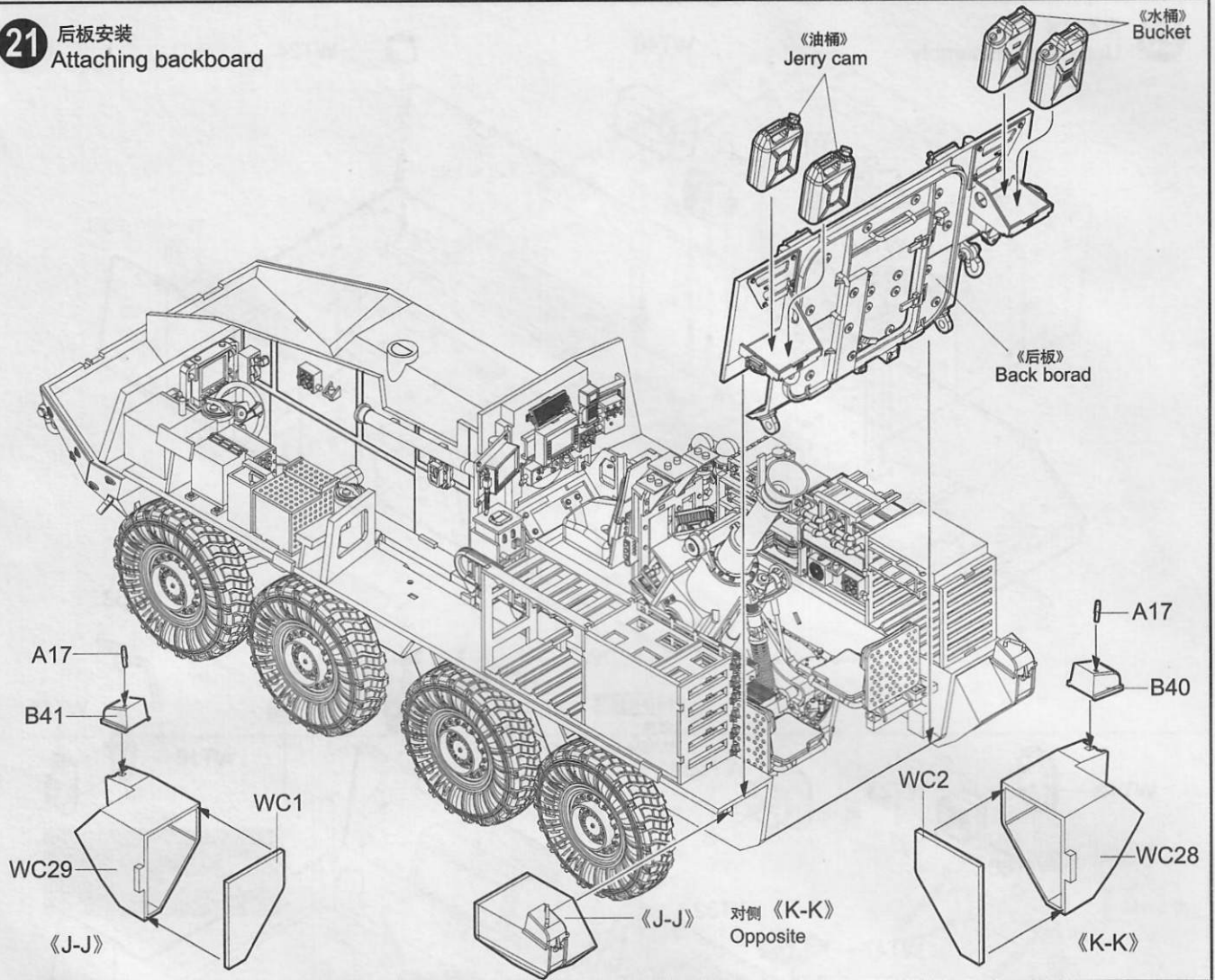
19 后板组装
Backboard assembly



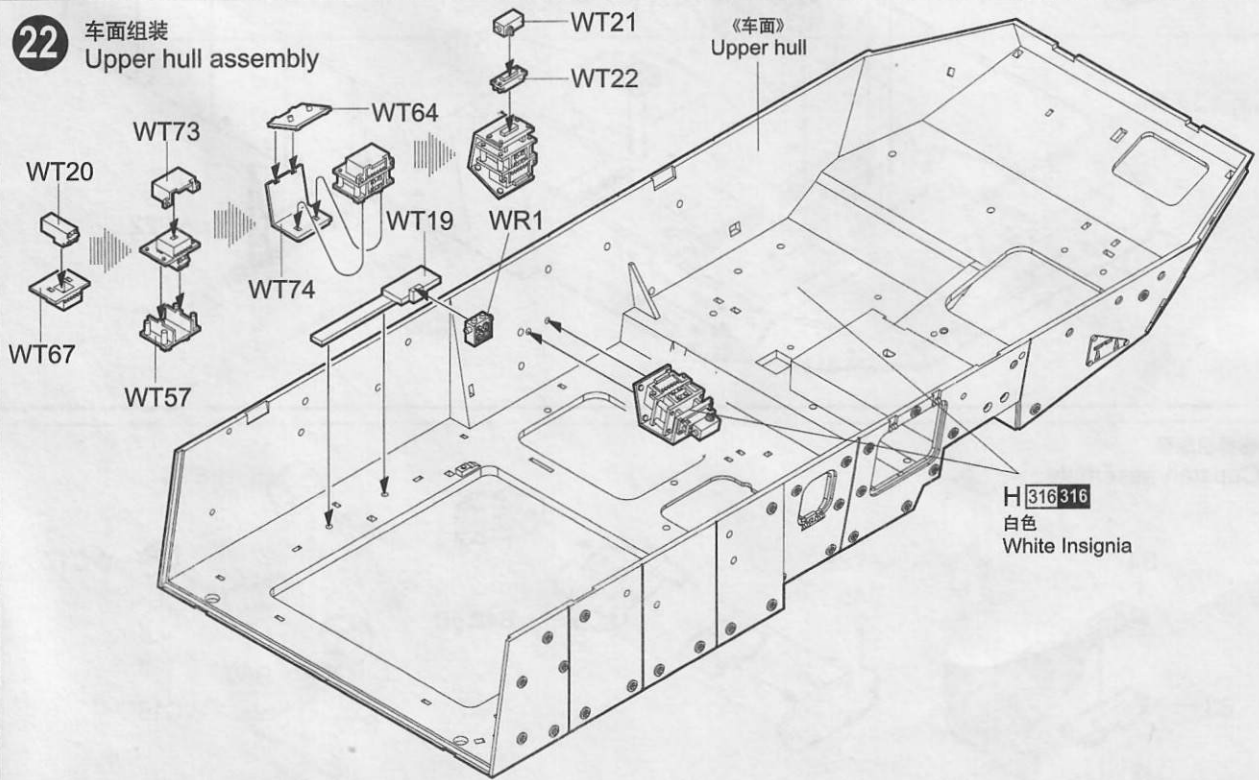
20 后板组装
Backboard assembly



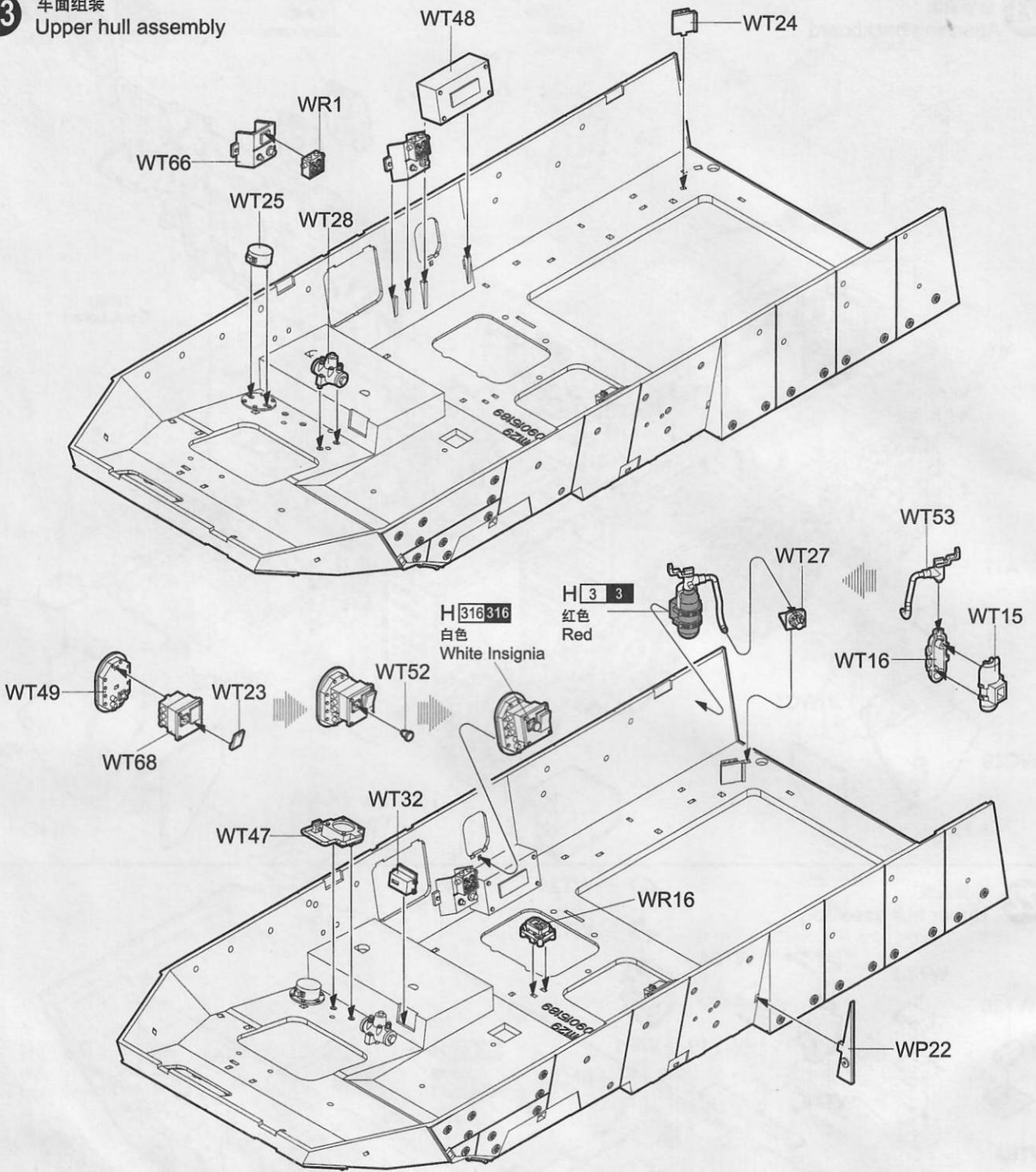
21 后板安装
Attaching backboard



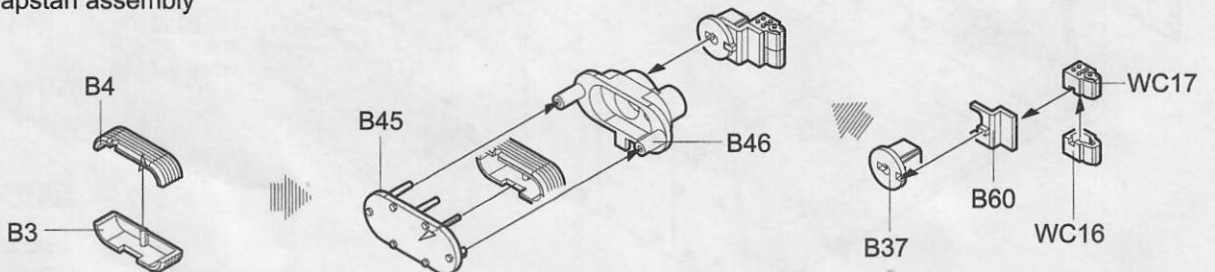
22 车面组装
Upper hull assembly



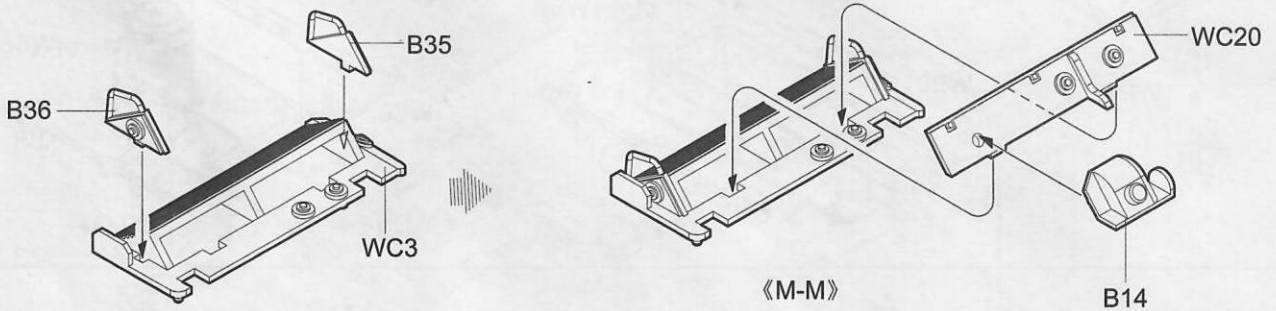
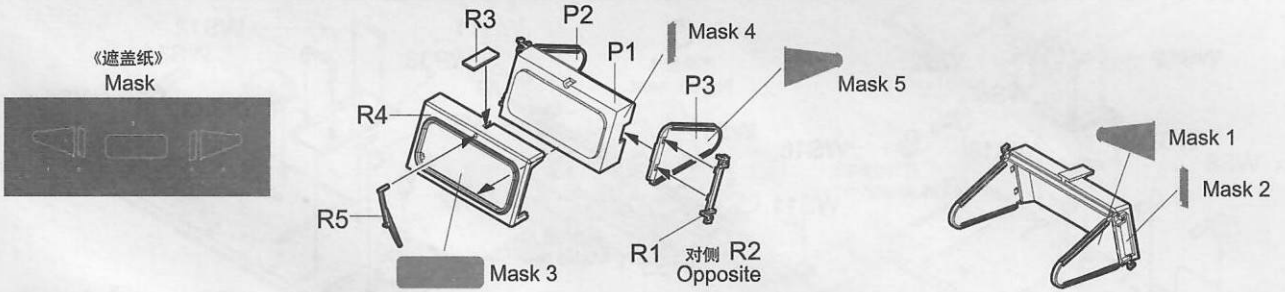
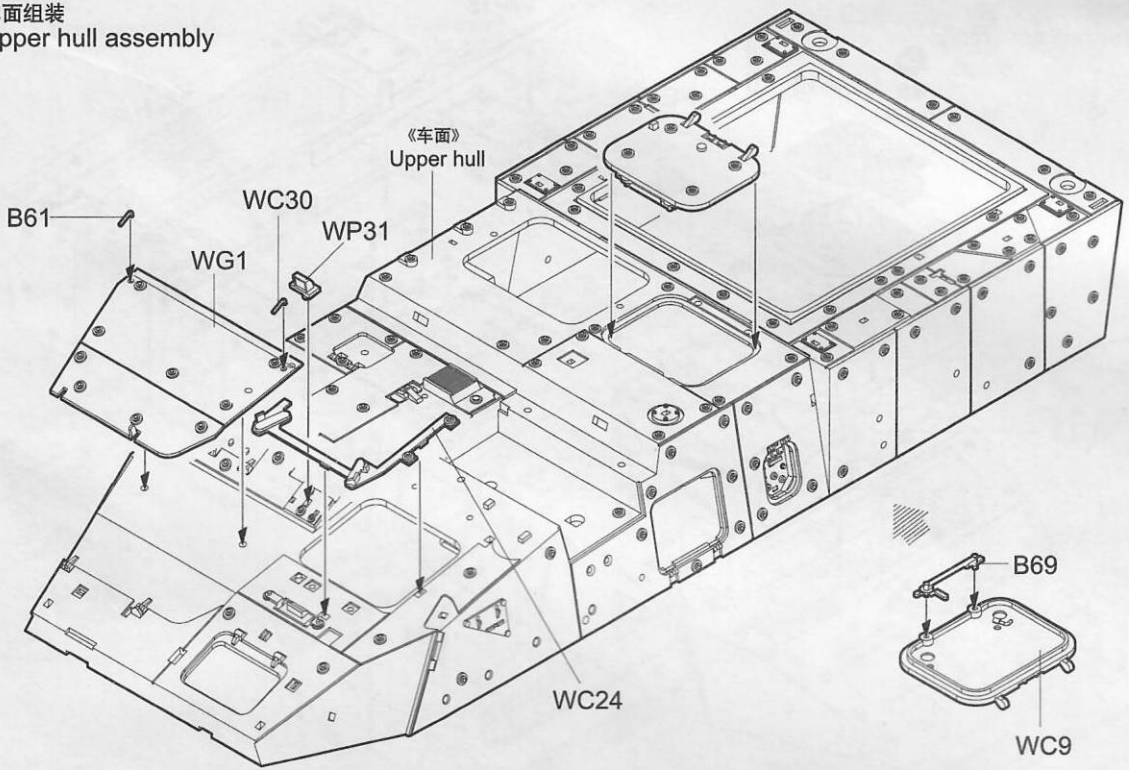
23 车面组装
Upper hull assembly

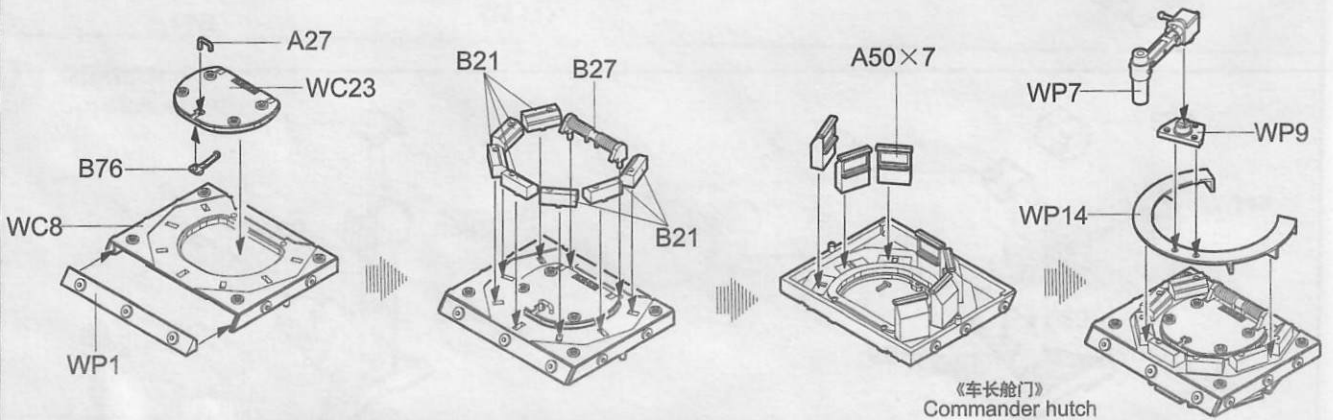
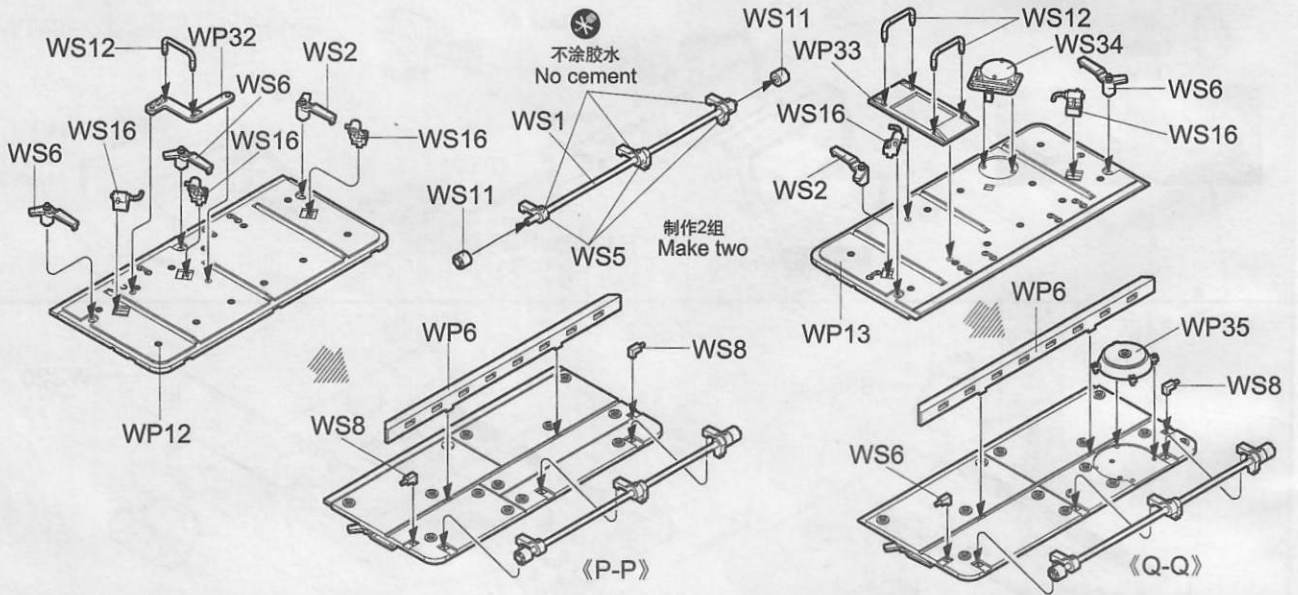
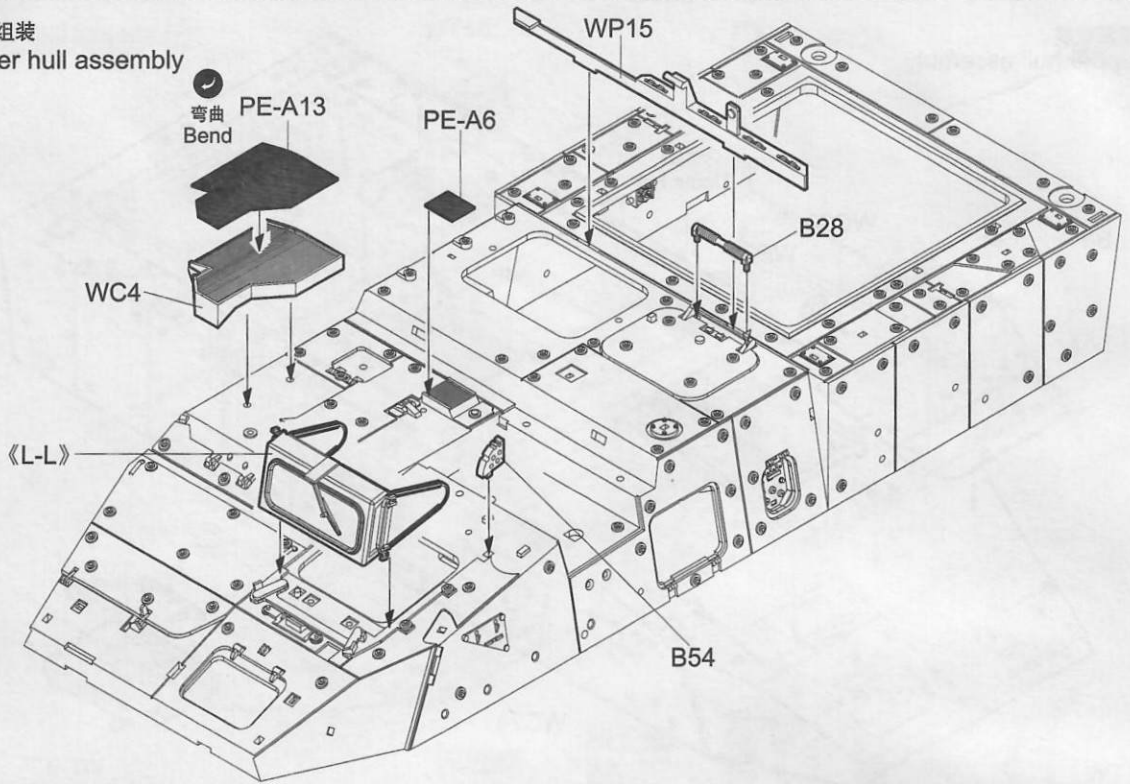


24 卷扬机组装
Capstan assembly

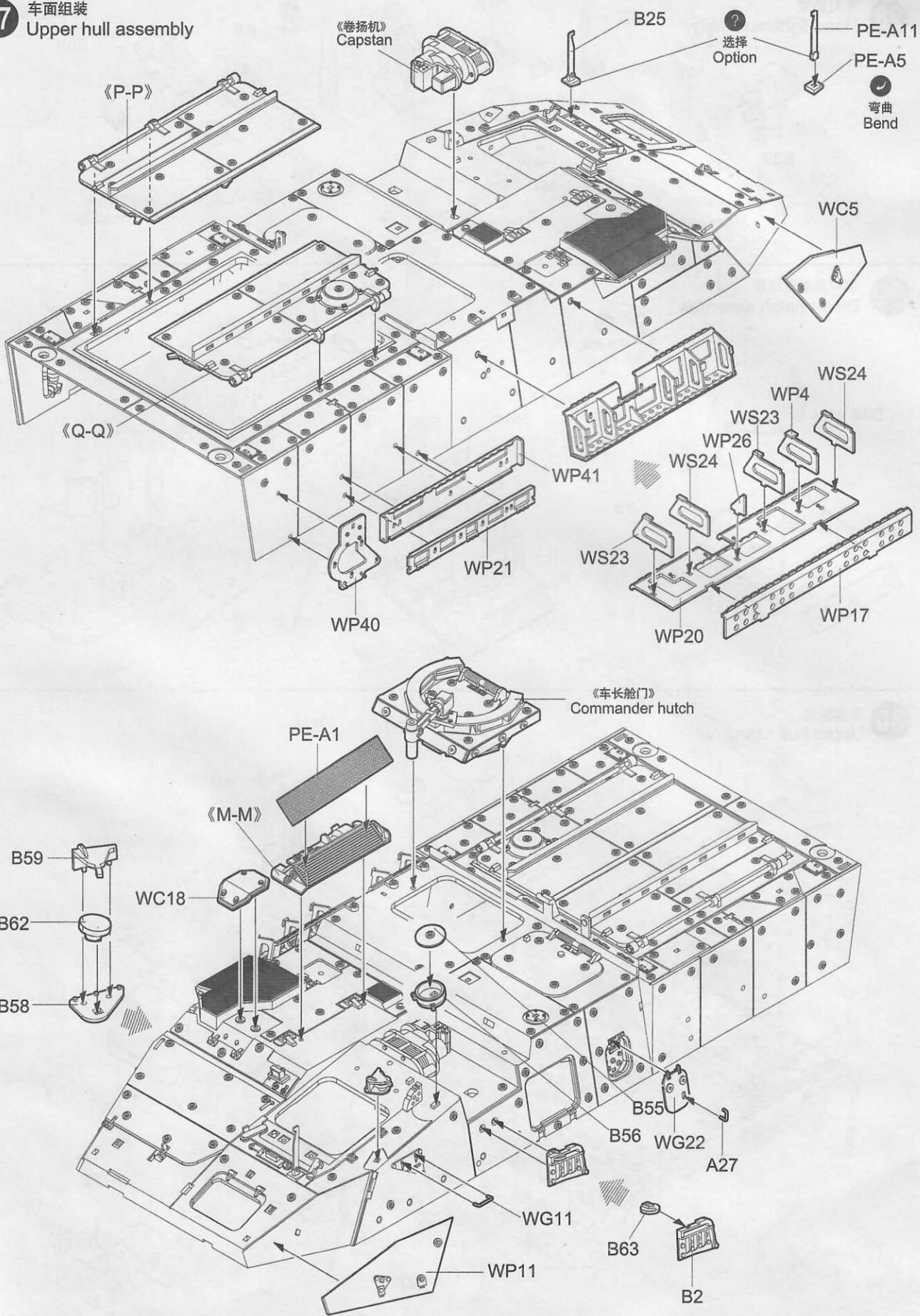


25 车面组装
Upper hull assembly

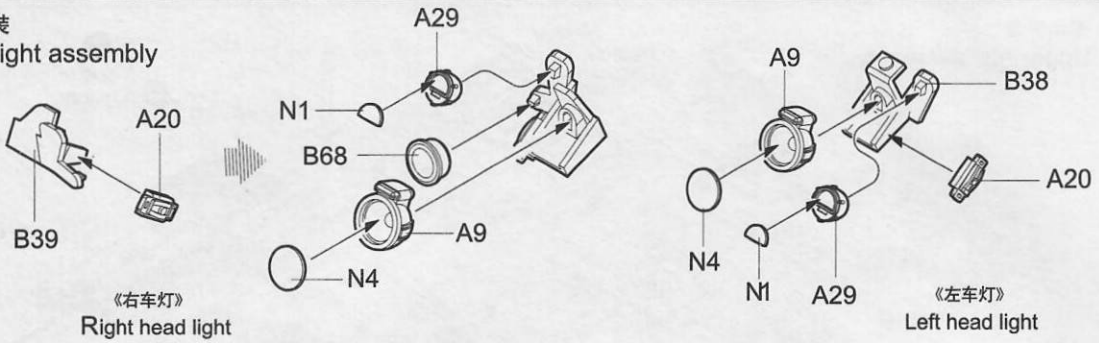




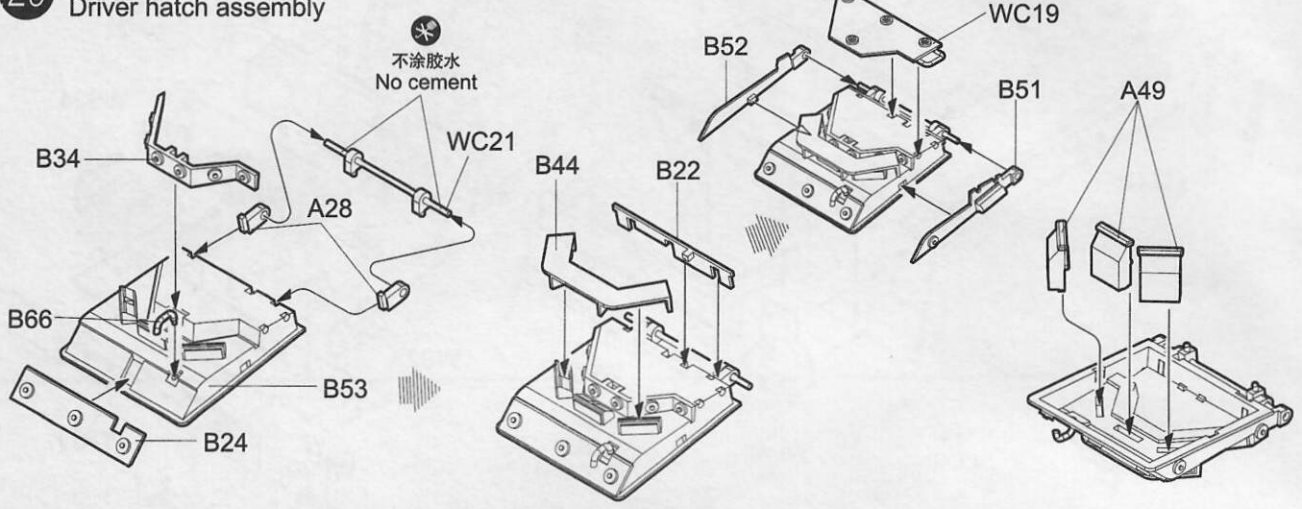
27 车面组装
Upper hull assembly



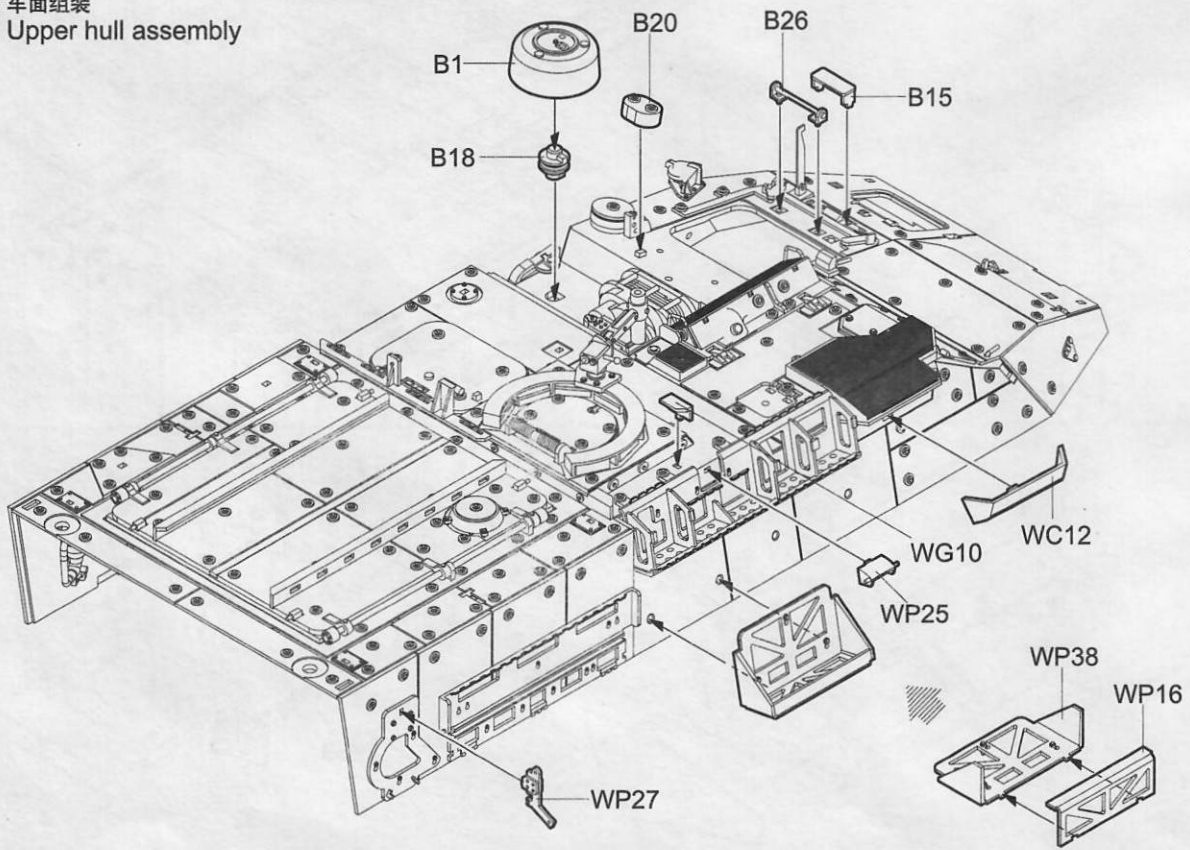
28 车灯组装
Head light assembly



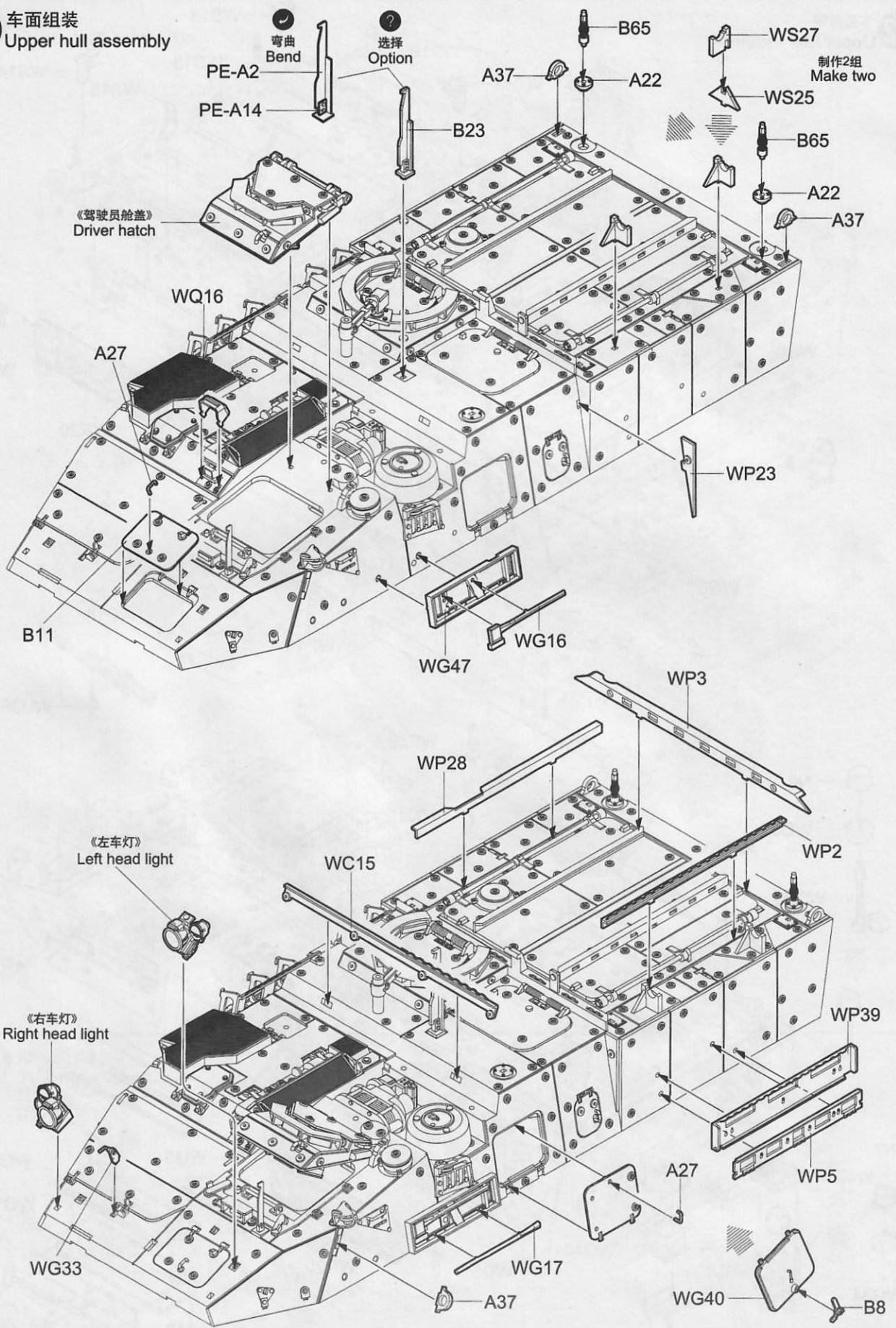
29 驾驶员舱盖组装
Driver hatch assembly



30 车面组装
Upper hull assembly

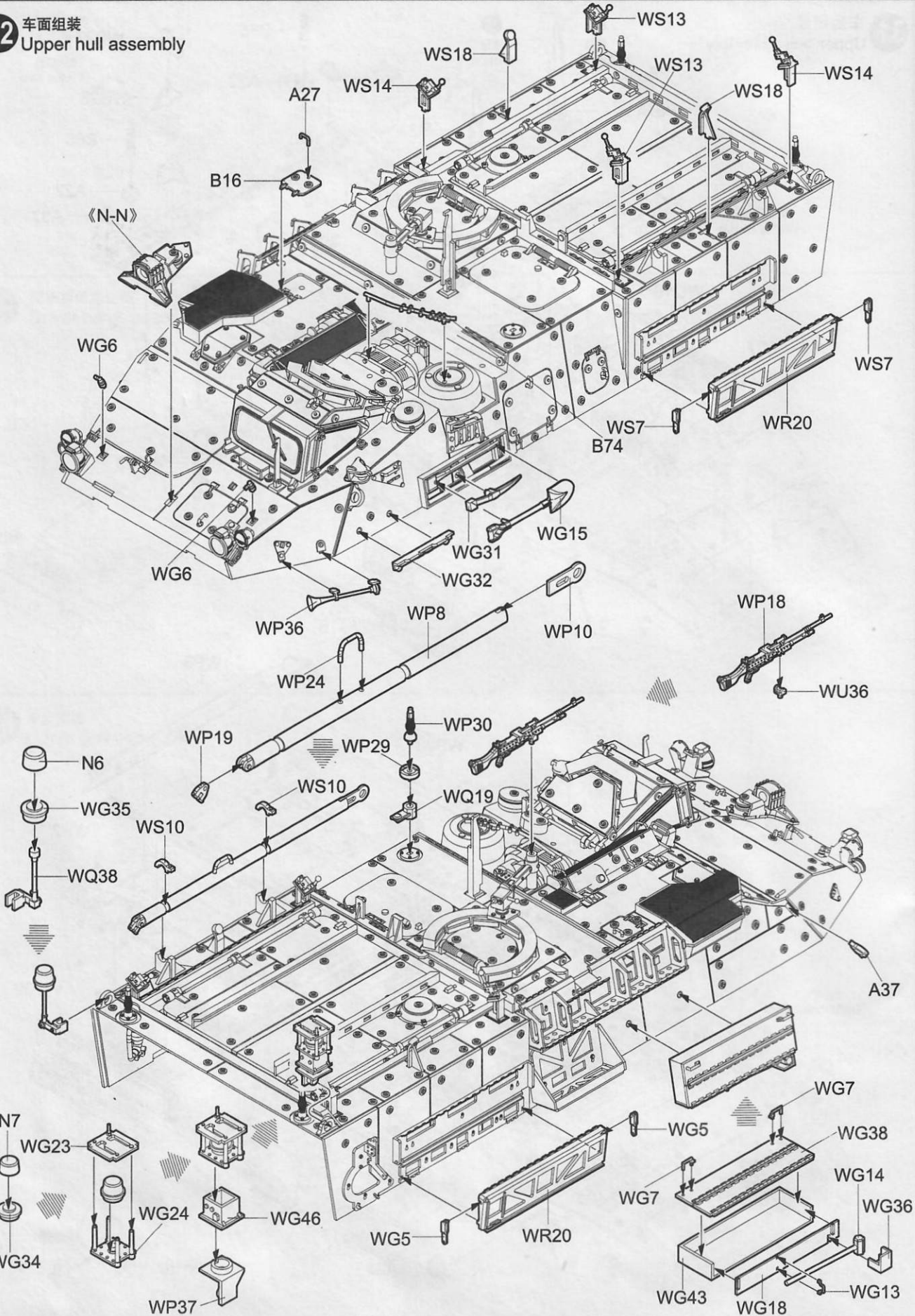


31 车面组装
Upper hull assembly

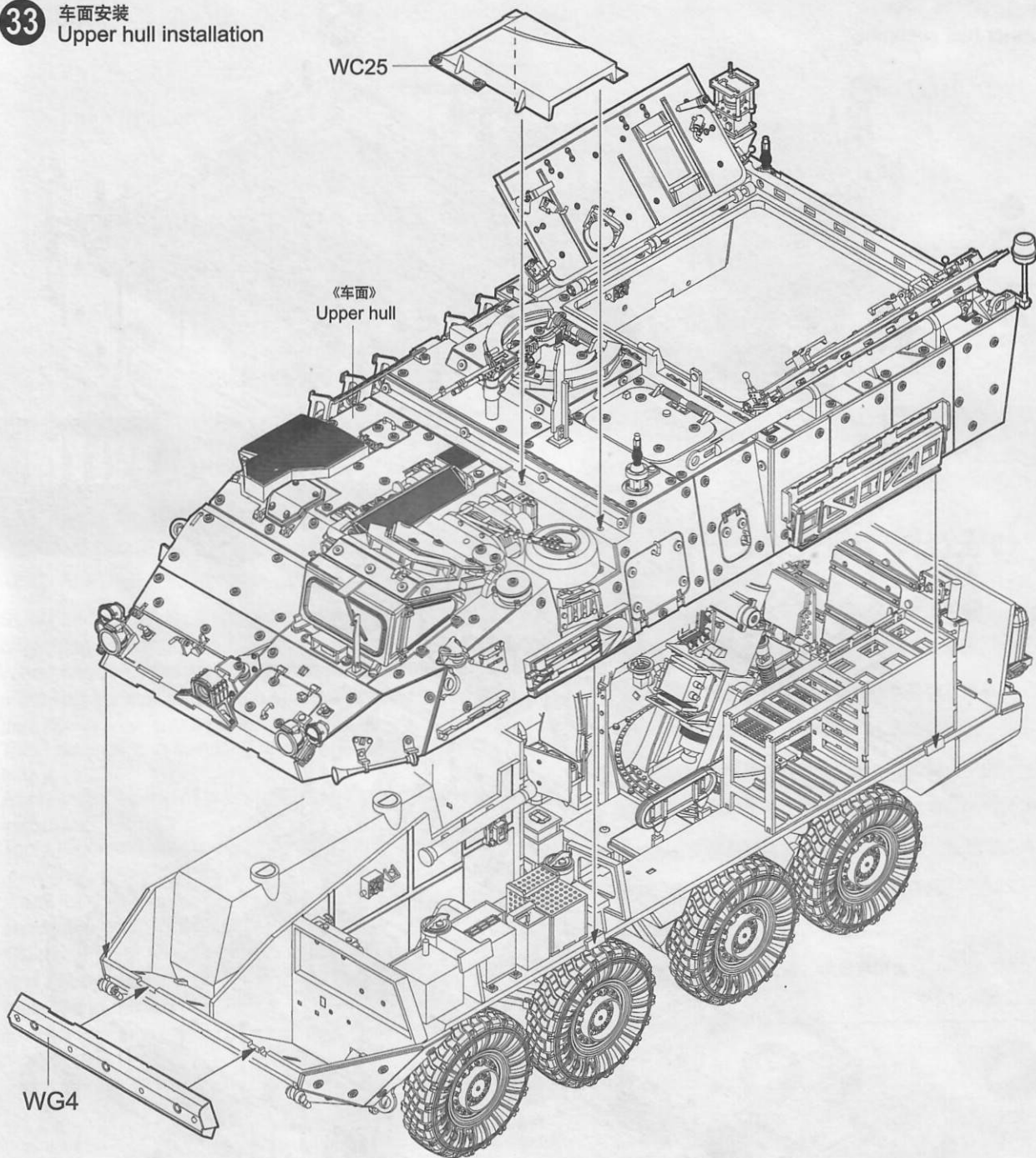


制作2组
Make two

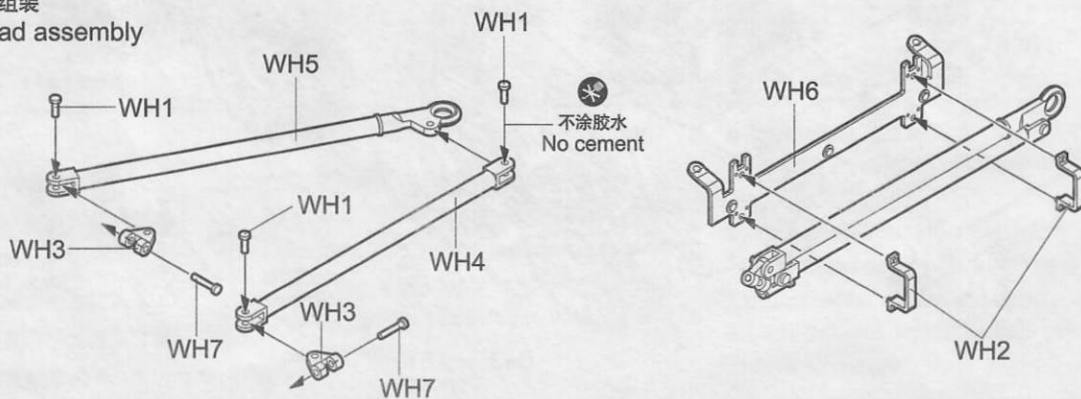
32 车面组装
Upper hull assembly



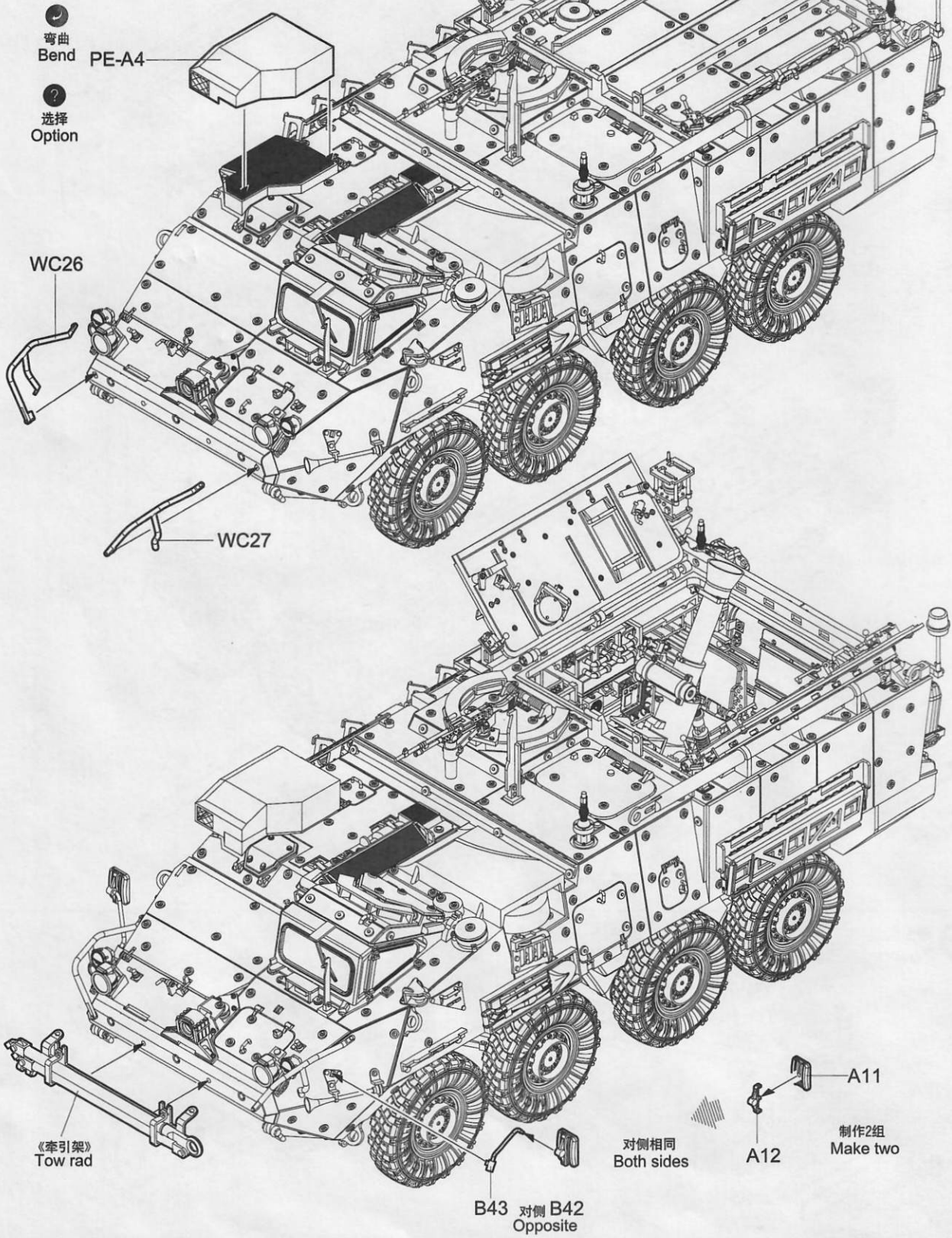
33 车面安装
Upper hull installation



34 牵引架组装
Tow rad assembly



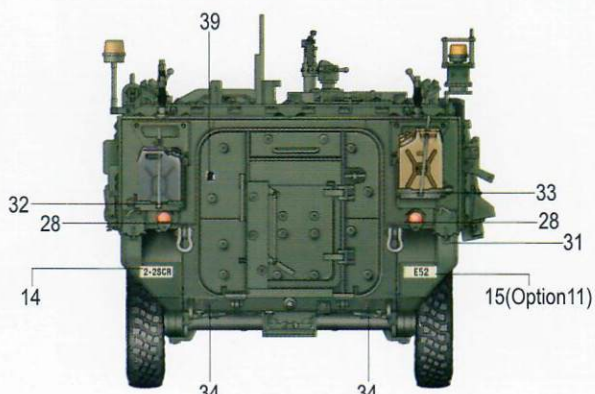
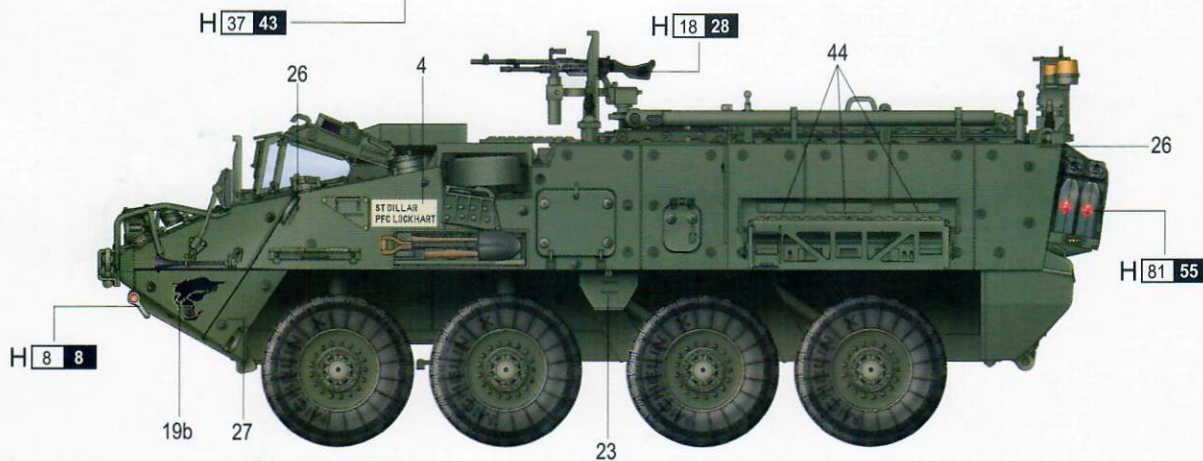
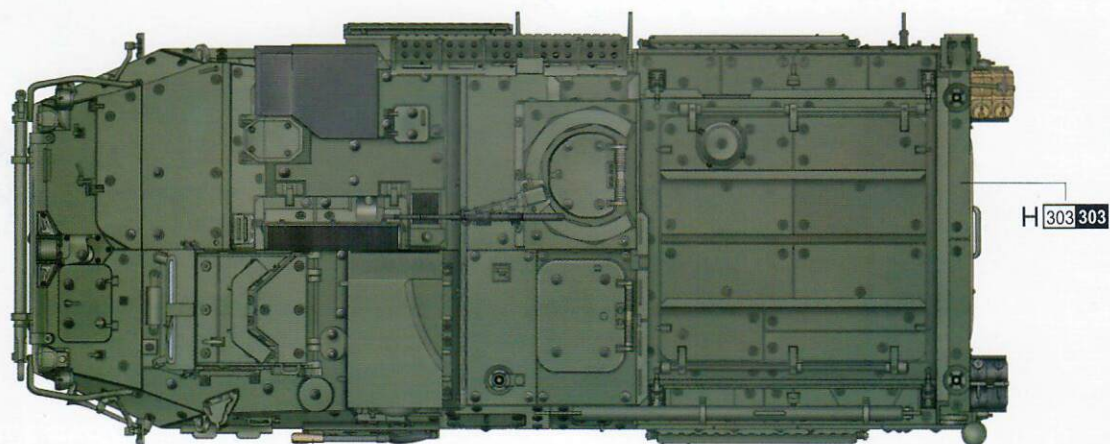
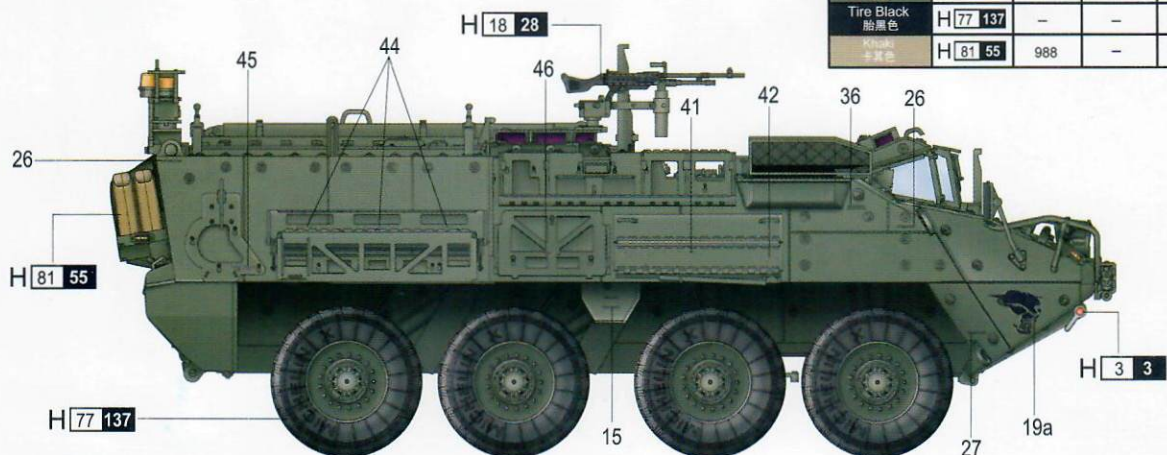
35 车面组装
Upper hull assembly



涂装同标贴指示

Painting & Marking guide

Color	Mr.Hobby	Vallejo	Model Master	Tamiya	Humbrol
Silver 银色	H 8 8	997	1546	X11	11
Metal Black 黑铁色	H 18 28	864	1402	-	-
Wood Brown 木棕色	H 37 43	983	1701	-	186
Red 红色	H 3 3	908	1503	X7	19
Light Green 绿色	H 803 303	-	1713	XF20	117
Tire Black 胎黑色	H 77 137	-	-	-	-
Khaki 土黄色	H 81 55	988	-	XF49	26



H AQUEOUS HOBBY COLOR ■ Mr. COLOR