

1/48 SCALE

J-7B Fighter

歼-7B战斗机

READ BEFORE ASSEMBLY:

- Study and understand these instructions thoroughly before beginning assembly
- When needed, remove photo-etch parts carefully using a modeling knife or photo etch sprue cutter, being careful not to damage or lose small parts.
- Take extra care in handling photo etch parts in order to avoid injury
- Apply instant cement sparingly to photo etch parts where instructed

- Tools recommended(not included in kit):Plastic and instant cements,sprue cutters,long nose pliers,modeling knife, small files, tweezers, pin vise & scissors. Soft cloth and sandpaper will also assist in construction
- Glue and paint are not included in the kit. Use plastic cement and hobby paints only. Color guide for purchasing paint is included in the kit.

装配之前仔细阅读

- 小心用模型锉刀锉平所有零件表面的注射浇口。
- 小心用刀片切下蚀刻片零件，不要遗失小零件。
- 用强力快干胶水粘合蚀刻片零件和金属轴。过量快干胶水使用可能导致可动零件会粘住，小心涂胶。
- 取蚀刻片时应特别注意安全，防止利边划伤手指。
- 某些零件表面需贴上水贴纸，请选择在装配的同时进行。
- 推荐模型工具(自备)：胶水，水口剪刀，长咀钳，刀片，锉刀，镊子，钳，钻，剪刀，瞬间快干胶。
- 软布同砂纸同时也应该是必备工具。
- 请使用塑料胶水和油漆，模型内不含。

水贴纸的使用:

1. 从水贴上剪下印花;
2. 将印花放入温水中浸10秒，然后放在干净布上。
3. 拿着印花纸板将印花移到模型上;
4. 手指蘸水将印花移到适当的位置;
5. 用软布轻压印花直至水干，气泡消失。

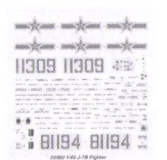
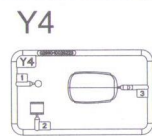
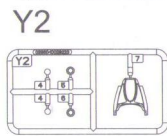
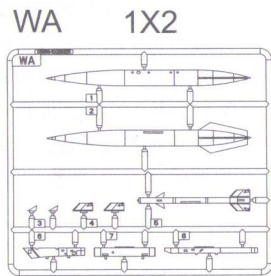
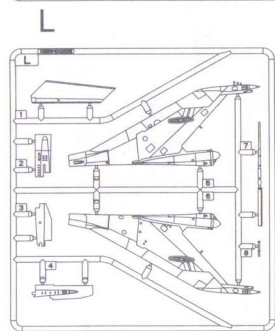
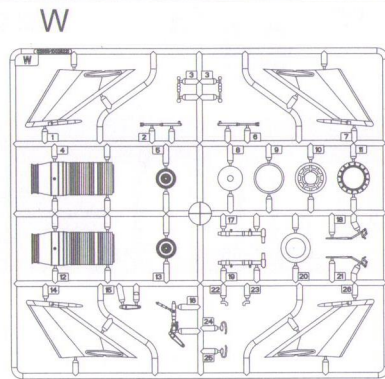
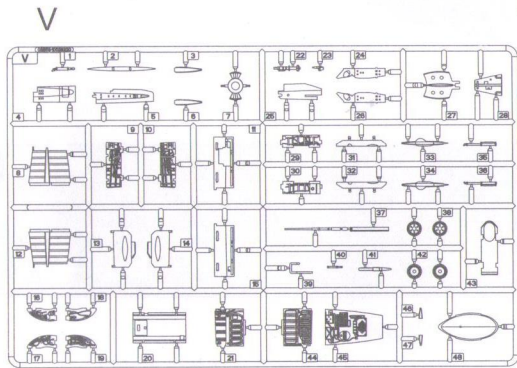
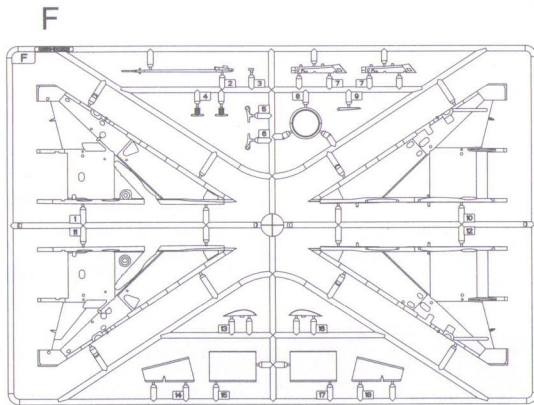
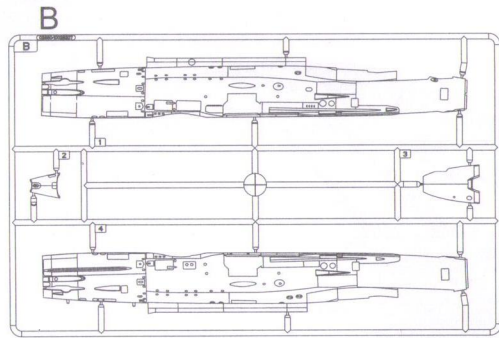
DECAL APPLICATION:

1. Cut decals from sheet as needed
2. Dip the decal in warm water for about 10 seconds and then place on soft clean cloth.
3. Hold the decal backing sheet edge and gently slide the decal onto the model in its proper position.

4. While still wet,decal can be adjusted for better fit on model by dampening it gently with your finger.
5. When placed in the proper position,gently press decal down with a soft cloth until excess water and air bubbles are gone.
6. Allow decal to dry completely before handling model

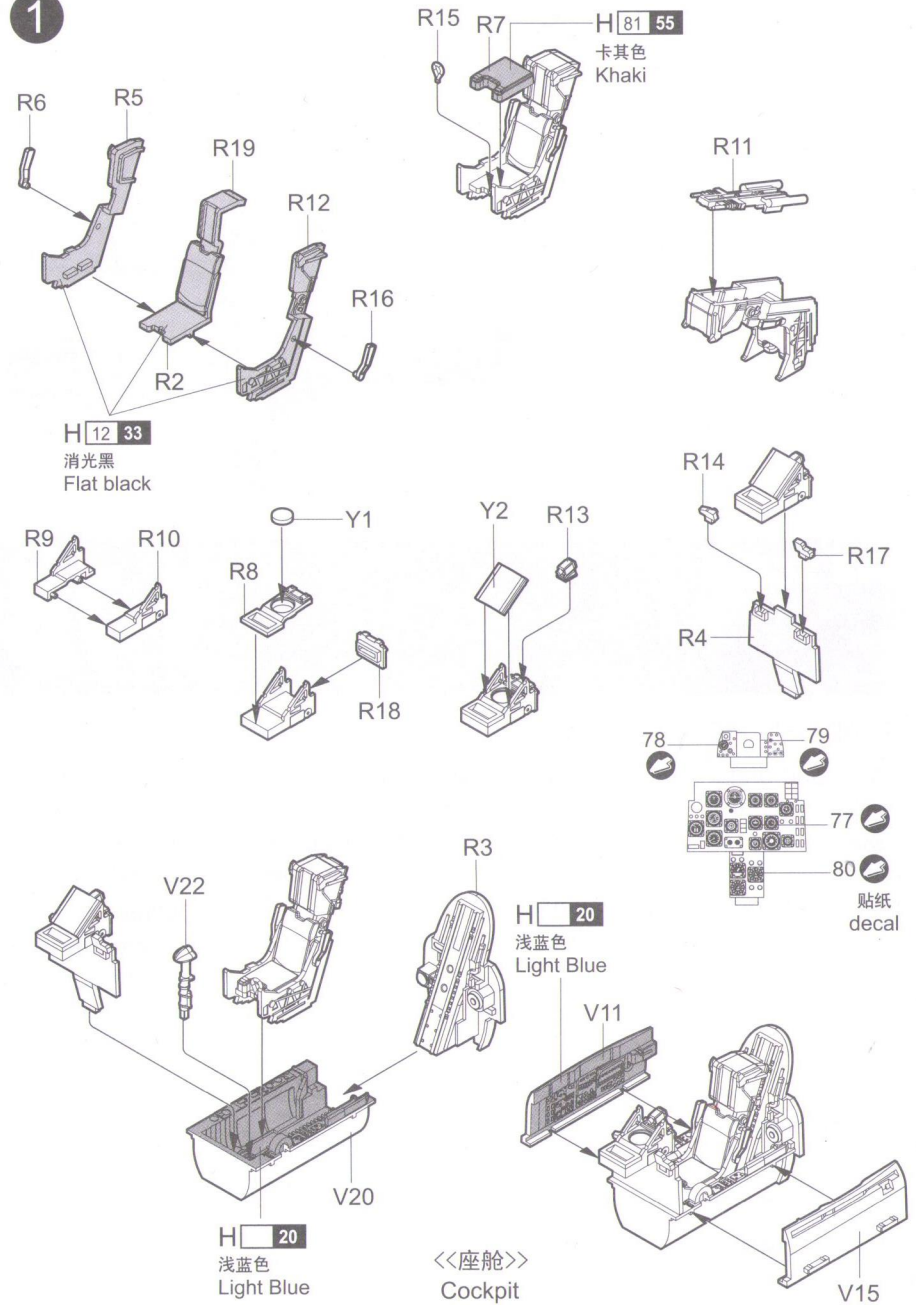


部品图
Parts



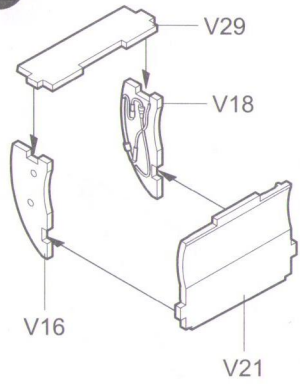
不用部品 PE5 WA6
Unused Parts

1

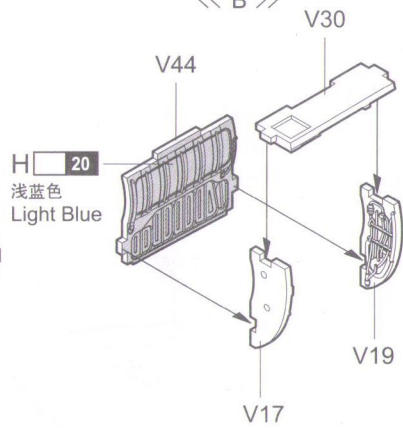


2

<< A >>

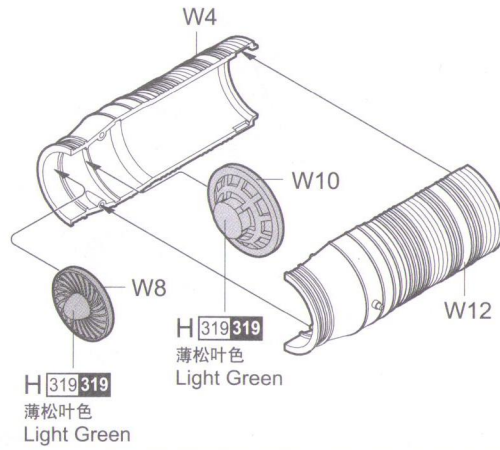


<< B >>

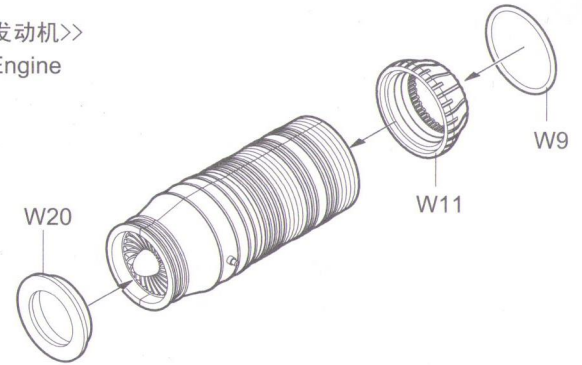


H 20
浅蓝色
Light Blue

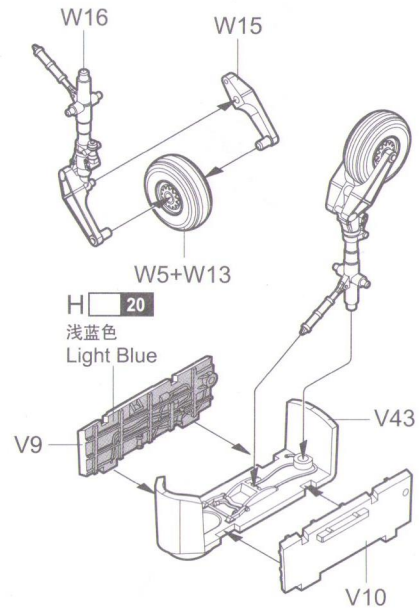
<<发动机>>
Engine



H 319 319
薄松叶色
Light Green

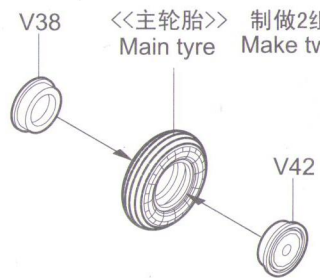


<<前起落架>>
nose undercarriage

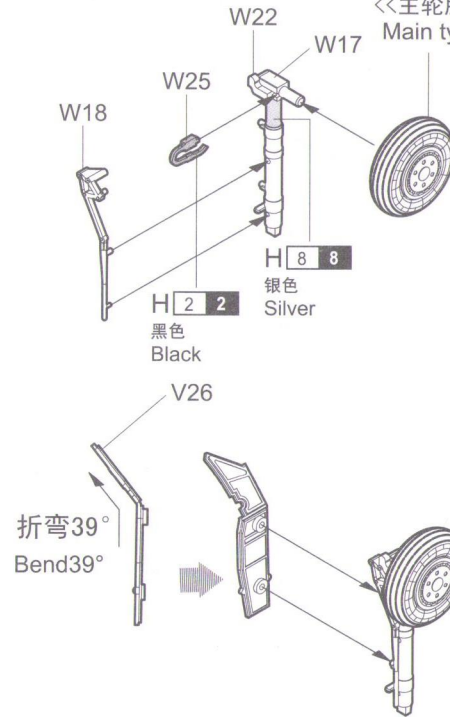


H 20
浅蓝色
Light Blue

<<主轮胎>> 制做2组
Main tyre Make two



<<主轮胎>>
Main tyre

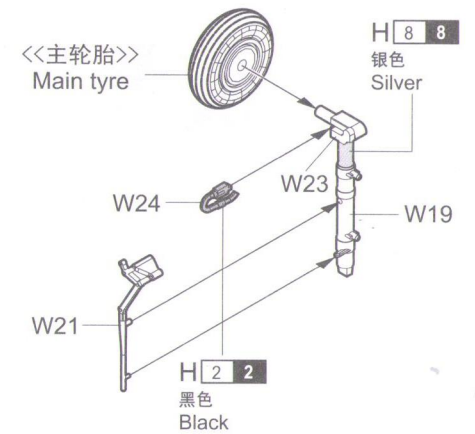


H 8 8
银色
Silver

H 2 2
黑色
Black

折弯39°
Bend 39°

<<右侧主起落架>>
Right main undercarriage



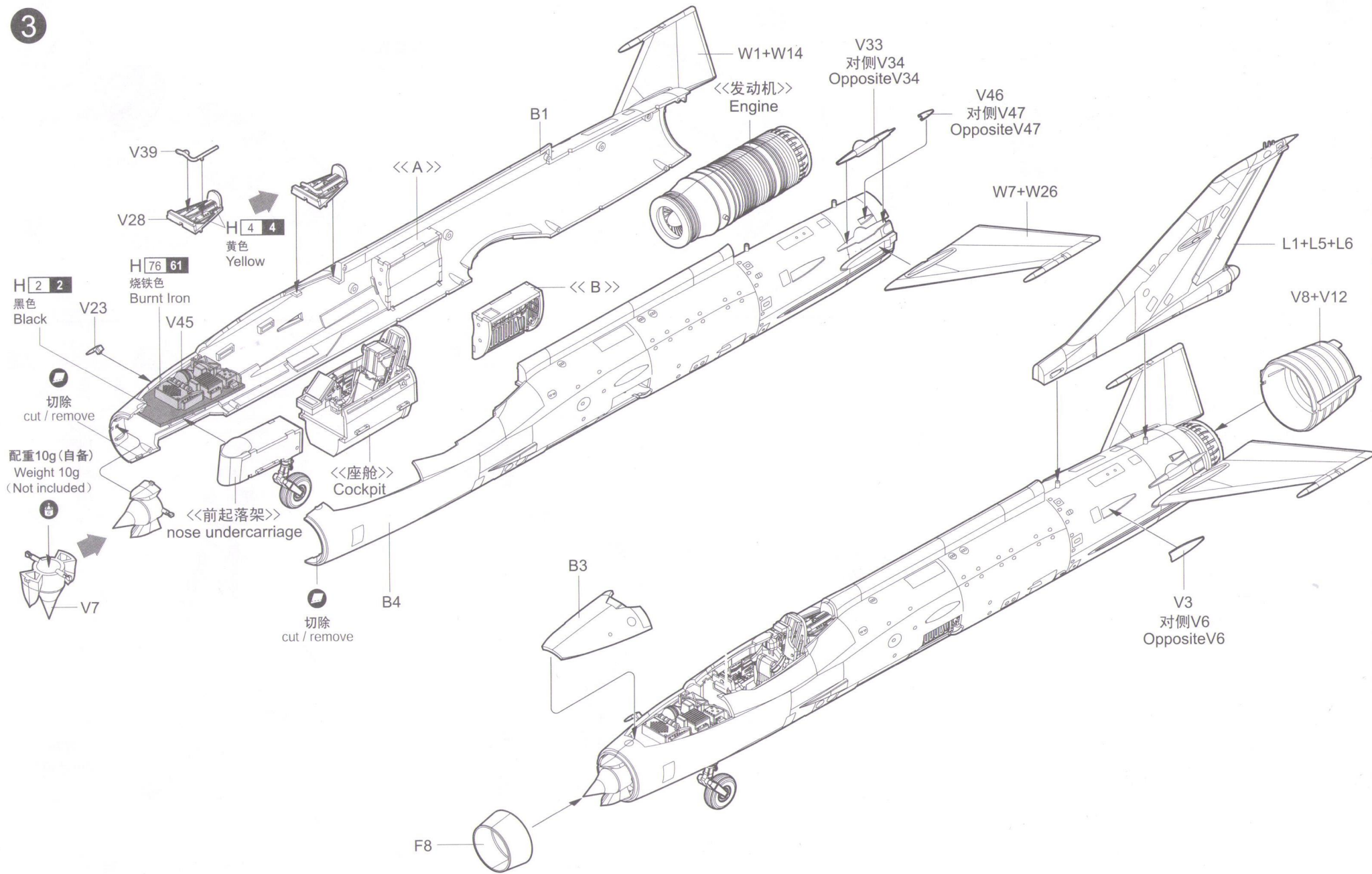
H 8 8
银色
Silver

H 2 2
黑色
Black

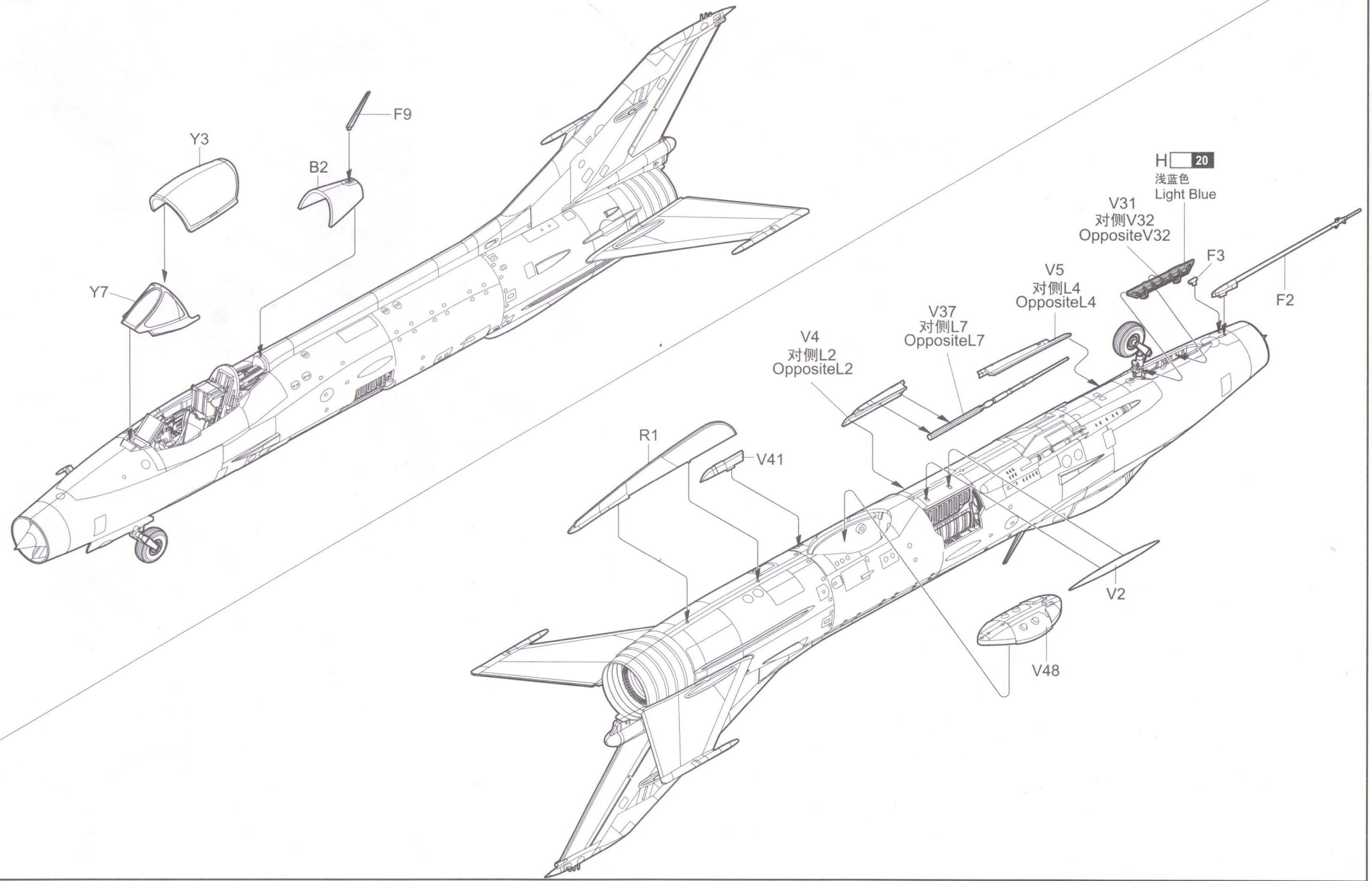
折弯39°
Bend 39°

<<左侧主起落架>>
Left main undercarriage

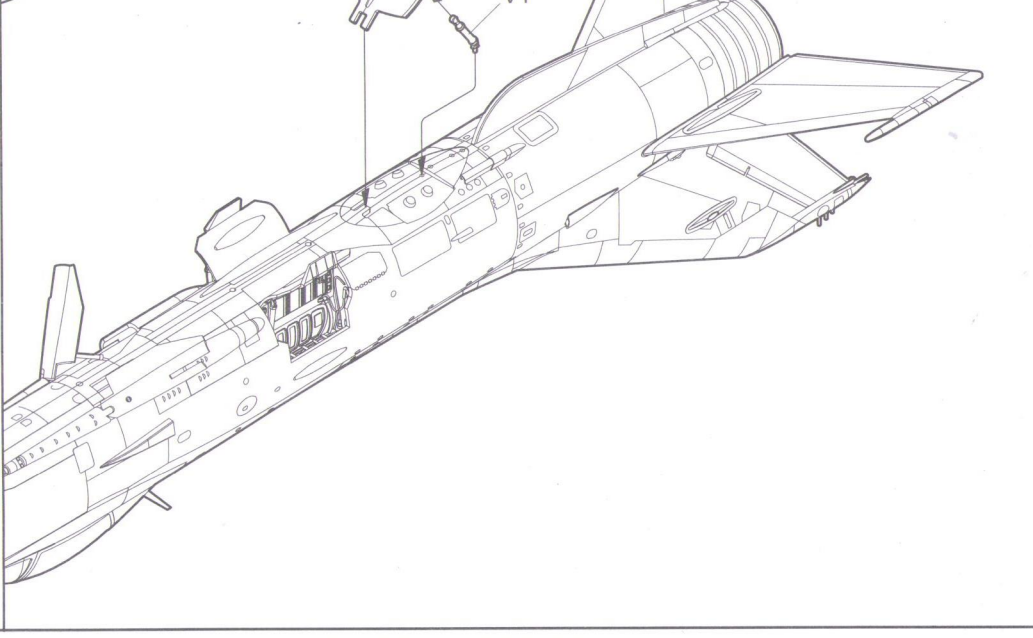
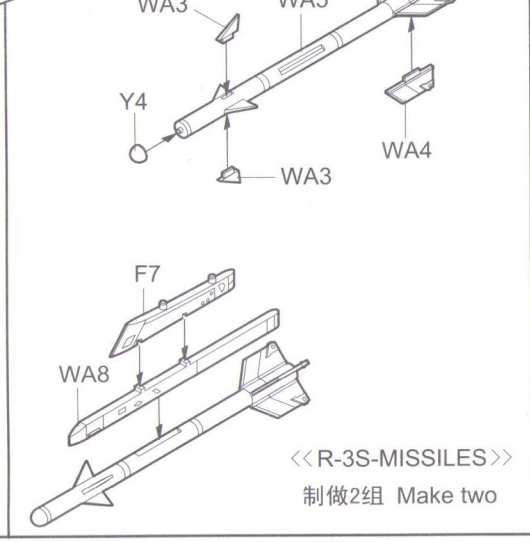
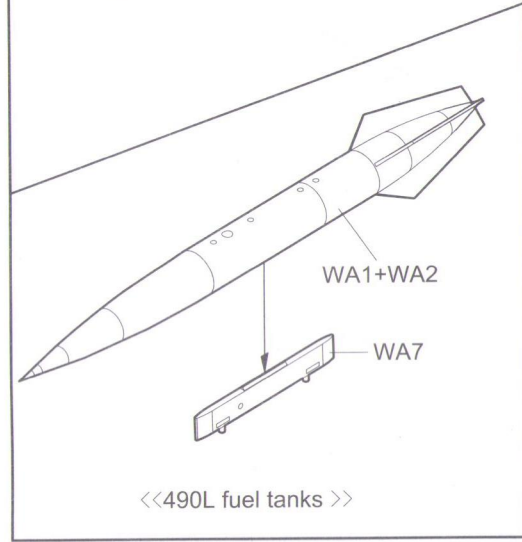
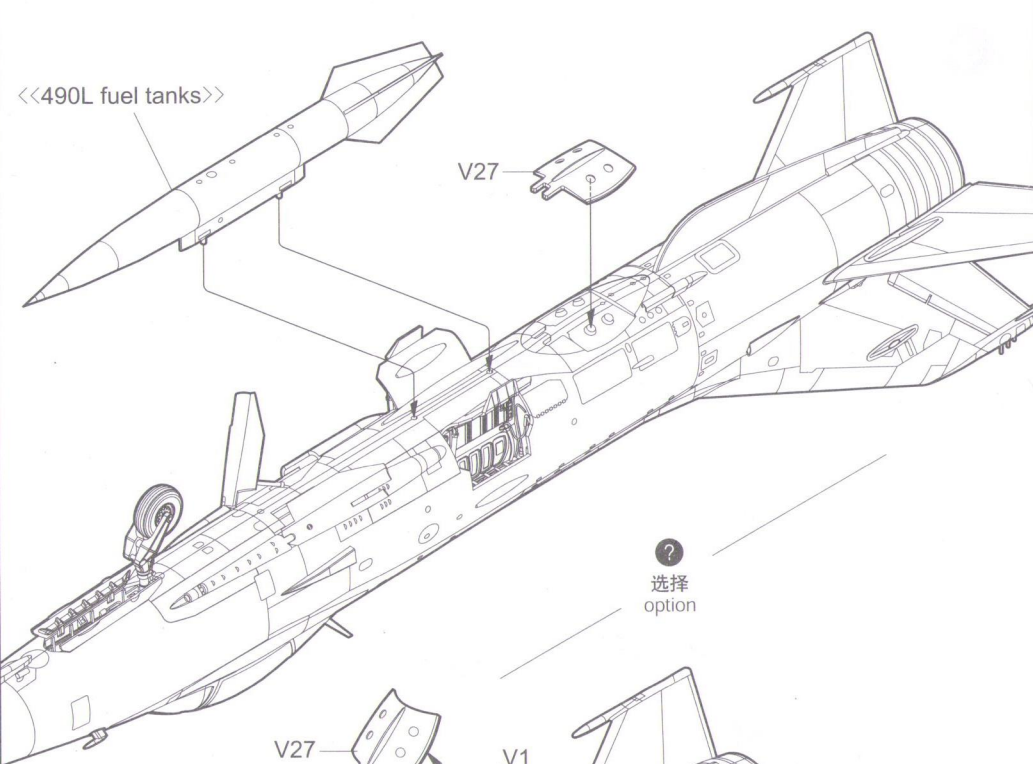
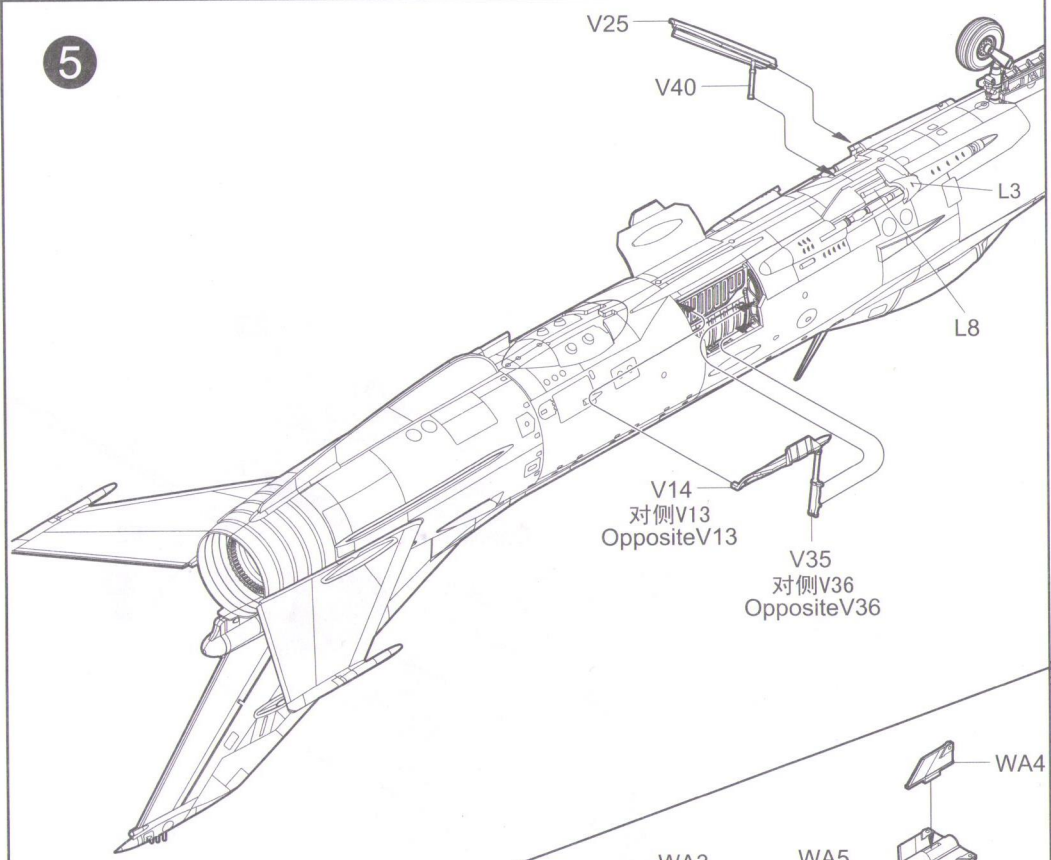
3



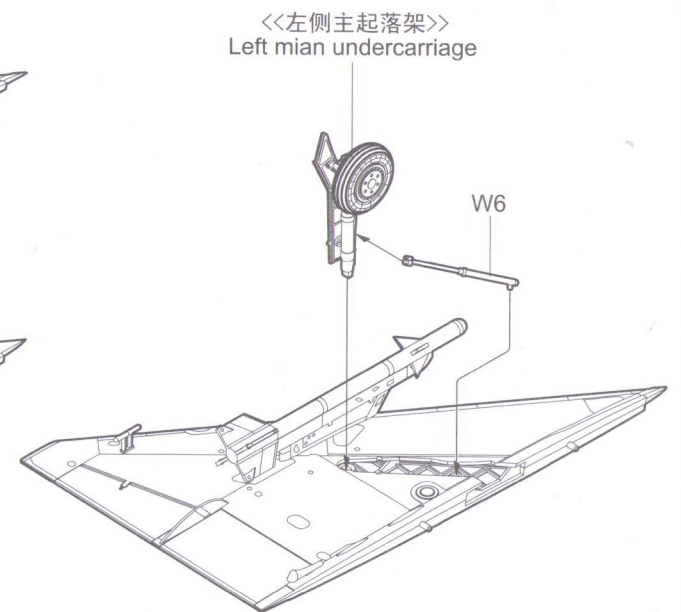
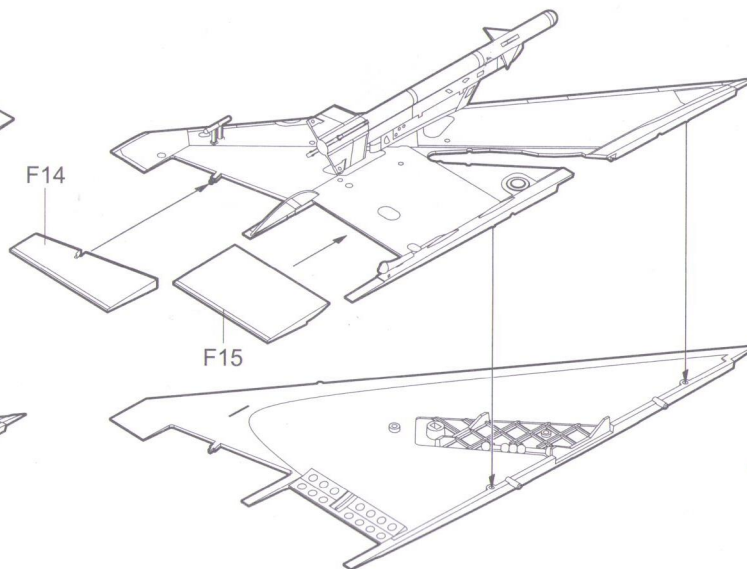
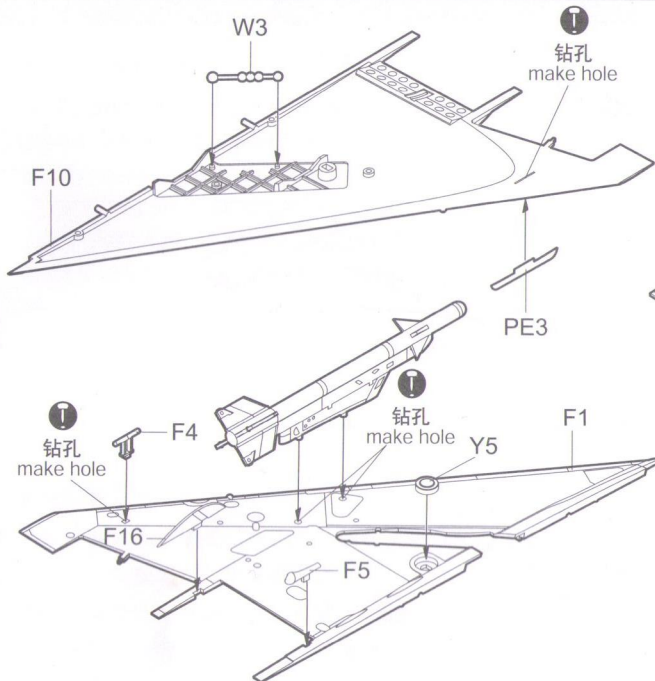
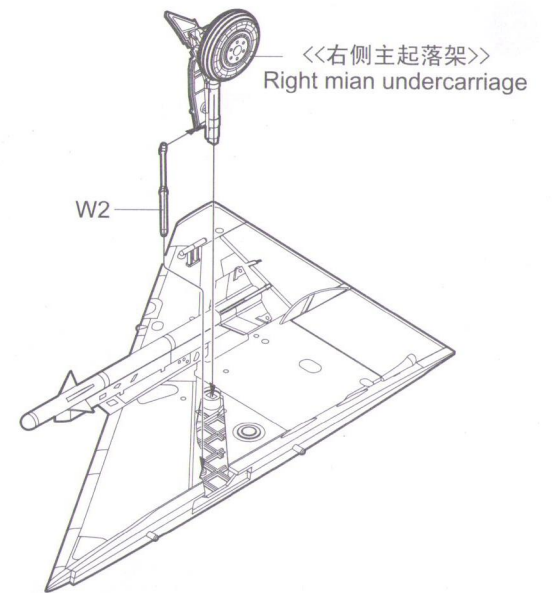
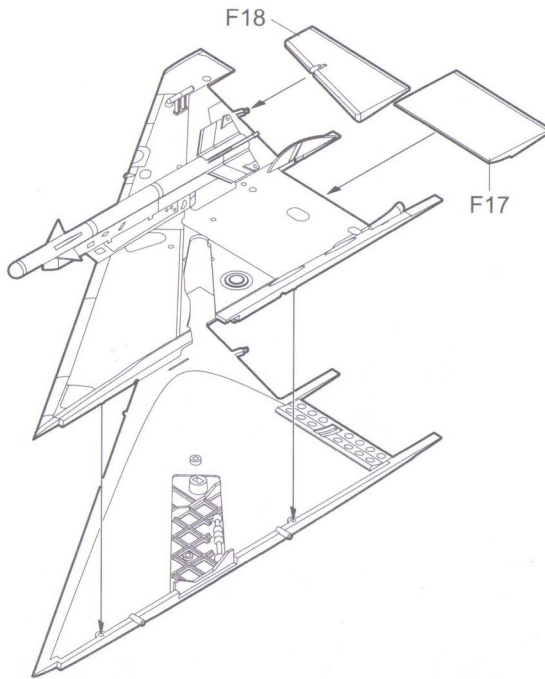
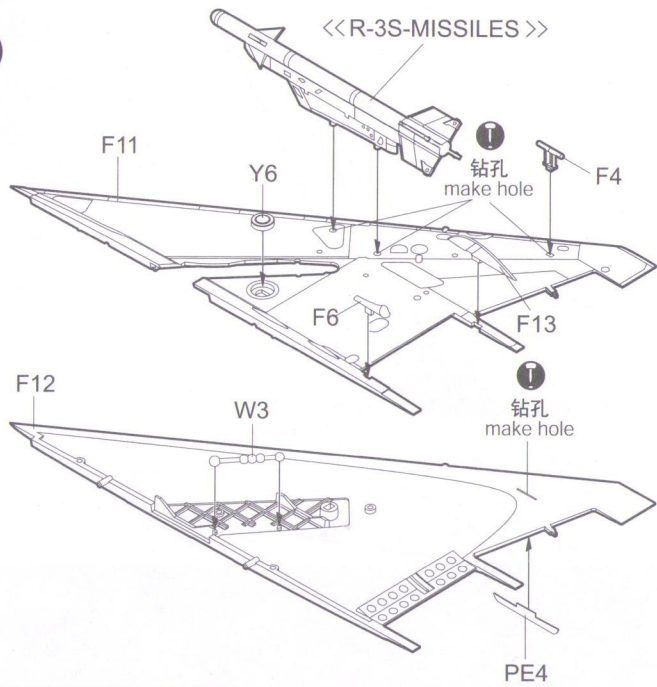
4



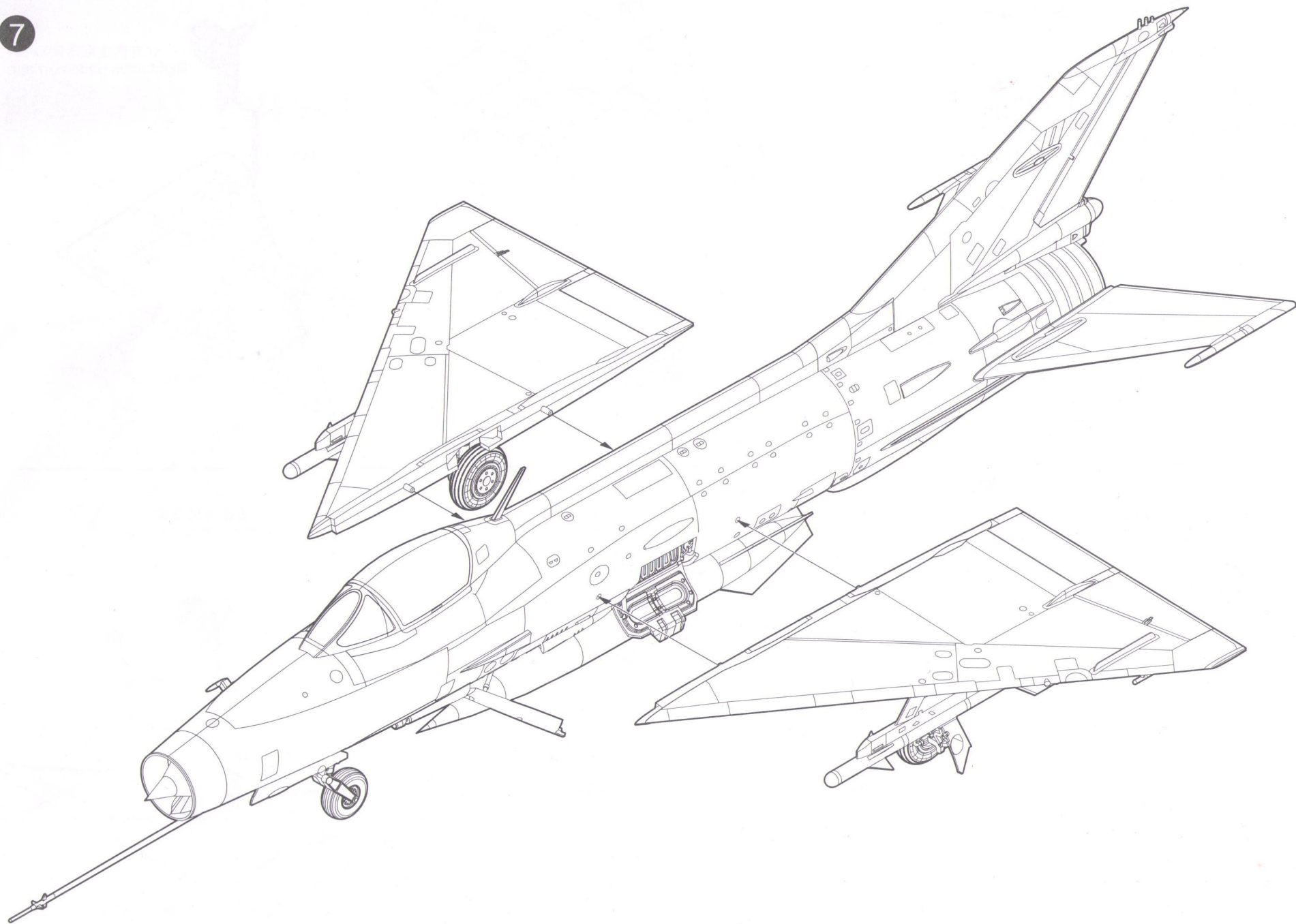
5



6



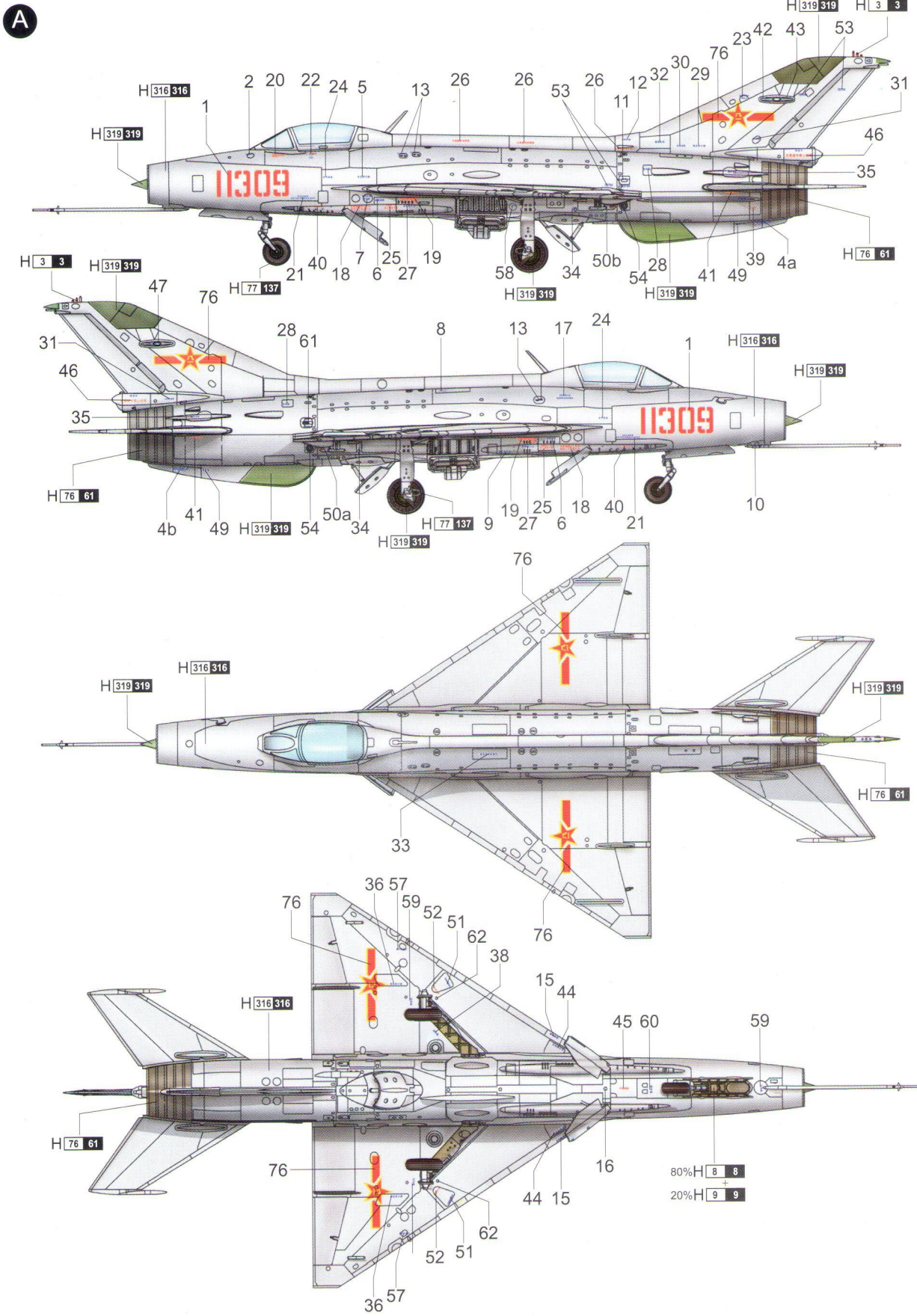
7



涂装同标贴指示 Painting & Marking guide

PAINT REFERENCE COLOUR

Color	Mr.Hobby	Vallejo	Model Master	Tamiya	Humbrol	Color	Mr.Hobby	Vallejo	Model Master	Tamiya	Humbrol
White 白色	H[316 316]	991	1745	X2	22	Tire Black 轮胎色	H[77 137]	—	—	—	—
Red 红色	H[3 3]	908	1503	X7	19	Light Green 浅绿色	H[319 319]	—	1731	—	117
Burnt Iron 锈色	H[76 61]	863	1795	X10	53	Gold 金色	H[9 9]	878	1744	X12	16
Silver 银色	H[8 8]	997	1546	X11	11						



80% H[8 8]
20% H[9 9]

H [] AQUEOUS HOBBY COLOR [] Mr. COLOR

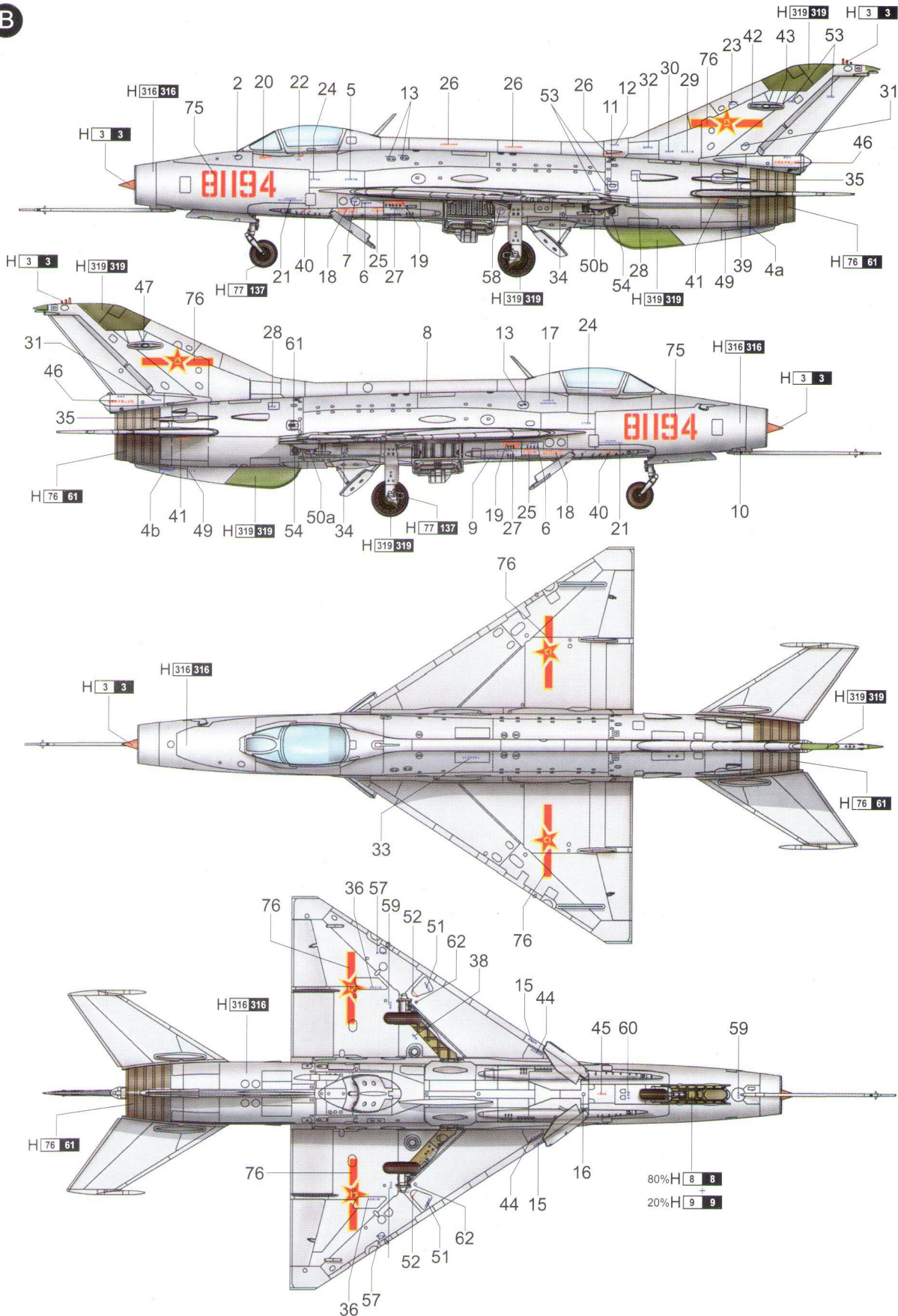
涂装同标贴指示

Painting & Marking guide

PAINT REFERENCE COLOUR

Color	Mr.Hobby	Vallejo	Model Master	Tamiya	Humbrol	Color	Mr.Hobby	Vallejo	Model Master	Tamiya	Humbrol
White 白色	H 316 316	991	1745	X2	22	Tire Black 胎黑色	H 77 137	-	-	-	-
Red 红色	H 3 3	908	1503	X7	19	Light Green 浅绿色	H 319 319	-	1731	-	117
Burnt Iron 烧铁色	H 76 61	863	1795	X10	53	Gold 金色	H 9 9	878	1744	X12	16
Silver 银色	H 8 8	997	1546	X11	11						

B



H □ AQUEOUS HOBBY COLOR

■ Mr. COLOR