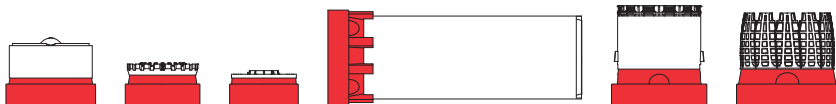
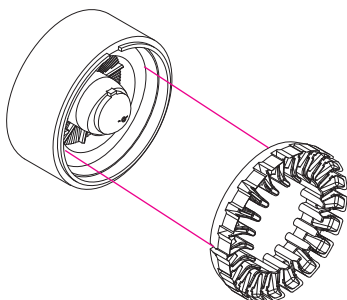


1

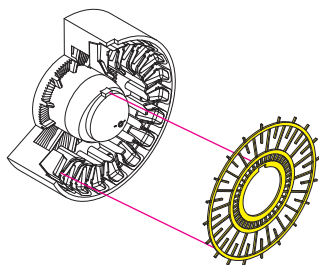


CUT

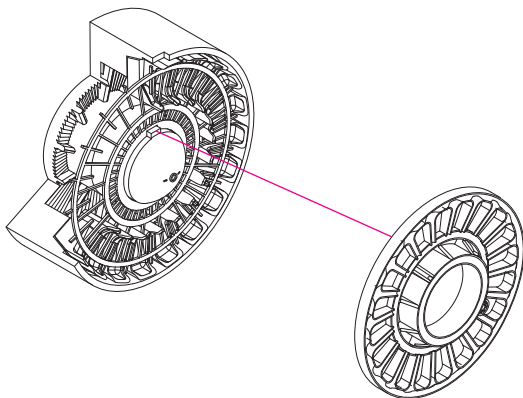
2 X2



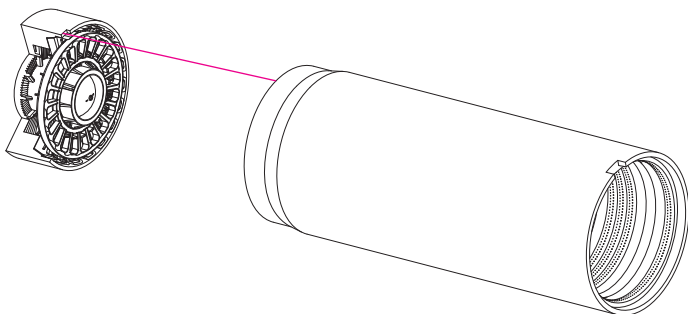
3 X2



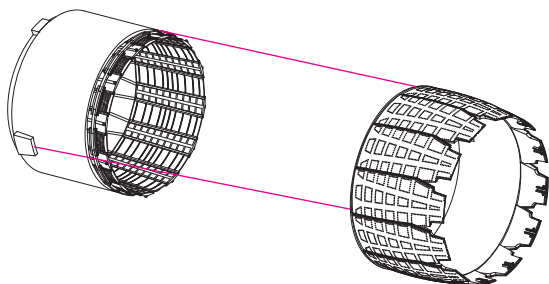
4 X2



5 X2



6 X2



7 X2

