

**Monogram**®

quality hobby kits



MK IV BOMBER

KIT PA129  
SCALE: 1/4" = 1'  
1/48th SIZE



MK II NIGHT-INTRUDER



MK II NIGHT-FIGHTER



MK VI FIGHTER-BOMBER

# DeHAVILLAND MOSQUITO

First conceived in 1938 as a high speed bomber capable of outperforming the contemporary fighters of the day, the De Havilland Mosquito became one of the most versatile military aircraft to come out of the second World War. It was produced in bomber, fighter-bomber, night-fighter, night-intruder and photo-reconnaissance configurations.

The first Mosquito prototype was flight tested November 25, 1940, just under 11 months from the time detail design work commenced. The first fighter and photo-reconnaissance prototypes followed on May 15 and June 10, 1941, respectively.

The use of wood in the construction of this aircraft not only reduced construction time, but also made use of the relatively untapped wood working industry in wartime England. The light weight of the wood structure contributed to the excellent power to weight ratio.

The fuselage skin employed balsa sandwiched between two layers of plywood. The one piece wing was covered with plywood reinforced with fir stringers. Metal construction was used for the engine nacelles, wheel doors, ailerons and elevators. This airplane because of its great speed flew its many varied missions virtually unopposed until the end of the war. Its exploits are legendary. These include the tree top level bombing of the Gestapo Headquarters in Oslo, Norway, the carefully planned interruption of a speech by Reichsmarshal Goering in Berlin and night fighter escort of R.A.F. bombers to mention but a few of its many roles.

The Mosquito Mark IV Bomber was powered by two Rolls Royce Merlin V-12 60° liquid-cooled engines. Each producing 1,460 horsepower at take-off. This gave the Mark IV Mosquito a top speed of 380 m.p.h. at 13,000 feet, a service ceiling of 34,000 feet and a range of over 2,000 miles. Its wing span measured 54 feet 2 inches and the length was 40 feet, 6 inches.

This Monogram 1/48 scale kit was designed from photographs and measurements of actual Mosquitos. We wish to acknowledge the assistance of R. G. Moulten who furnished us with data, all of which enabled us to make this model accurate. This kit includes all of the parts necessary for assembling any one of four versions of this famous aircraft.

COPYRIGHT © 1965 & 66 MONOGRAM MODELS, INC. MORTON GROVE, ILLINOIS PRINTED IN U.S.A.  
ALL RIGHTS RESERVED

00129-020

# READ THIS BEFORE YOU BEGIN!

Your Monogram Mosquito kit will authentically reproduce four specific versions. Read the instructions and study the assembly drawings and photos carefully to decide on the version you want before you begin the assembly. The assembly procedure is written for the Bomber version. The assembly of the other three versions is the same with the exceptions listed under "Conversions". Read "Conversions" before starting the assembly if you are going to build a version other than the Bomber.

Each tree of plastic parts is molded with identifying numbers appearing on the part or on a tab next to the corresponding parts. In the

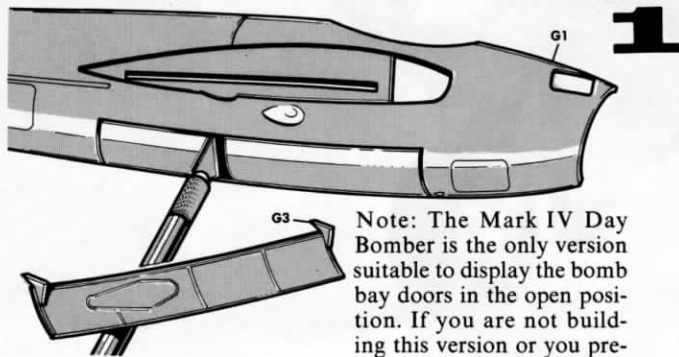
assembly instructions identifying numbers are preceded by the letters G, B, or C, to indicate whether the parts can be found on a GRAY, BLACK, or CLEAR parts tree. This makes it easy for you to locate parts during the assembly.

Do not detach parts from the trees until you are ready to use them. After cutting or breaking off the required part, trim away any excess bits of plastic. Use a small sharp knife, such as an X-acto knife, available at your hobby counter.

Keep in mind, the importance of not rushing the assembly of your model and avoid the use of excessive amounts of cement. All plastic cements contain solvents which dissolve plastic in order

to form a solid weld between the cemented parts. Too much cement can soften and distort the plastic, spoiling your model's appearance. When applying cement to small or confined areas, use cement on the end of a toothpick instead of the tube nozzle to better regulate the amount being applied.

If you plan to paint your model, refer to the instructions, "Finishing your Model", for helpful hints on painting. It is best to paint some parts before cementing them into place. Remember to scrape paint away from areas which will be cemented. Cement will not stick to paint.



Note: The Mark IV Day Bomber is the only version suitable to display the bomb bay doors in the open position. If you are not building this version or you prefer doors closed, omit this step and proceed with Step 2.

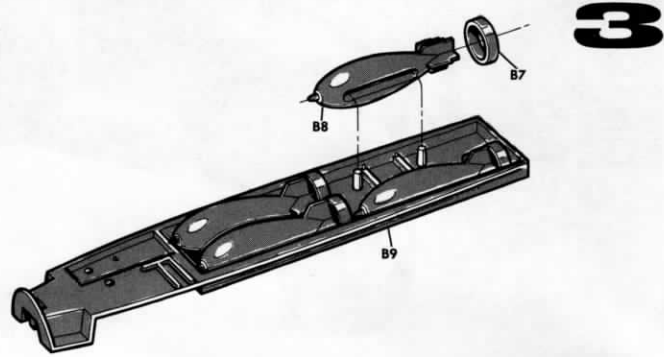
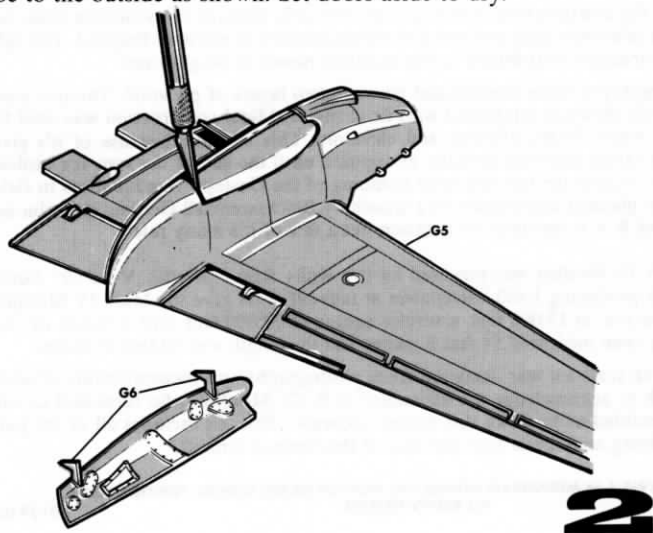
**A.** Cut very carefully along outline of bomb bay door as shown, with point of your razor knife for both fuselage halves G1 and G2. Use a series of light cuts rather than one deep cut.

**B.** Cement hinges G3 to bomb bay door in position shown. Repeat for opposite door. Set aside to dry.

Note: If landing gear doors are preferred in the closed position, omit this step and proceed with Step 3.

**A.** Cut along outline of landing gear doors with point of your razor knife on both lower wing halves G4 and G5. Use a series of light cuts rather than one deep cut.

**B.** Cement landing gear door hinges G6 to two raised pads on each of the four doors. Sharp point of each hinge must be to the outside as shown. Set doors aside to dry.



Note: If bomb bay doors were not opened in Step 1, omit this step.

**A.** Cement bomb ring B7 to bomb B8. Repeat for all four bombs.

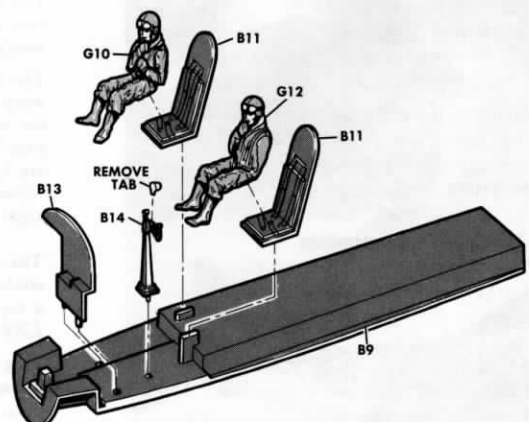
**B.** Cement assembled bombs to pins on underside of cockpit floor B9.

**A.** Cement navigator G10 to seat B11.

**B.** Cement pilot G12 to seat B11.

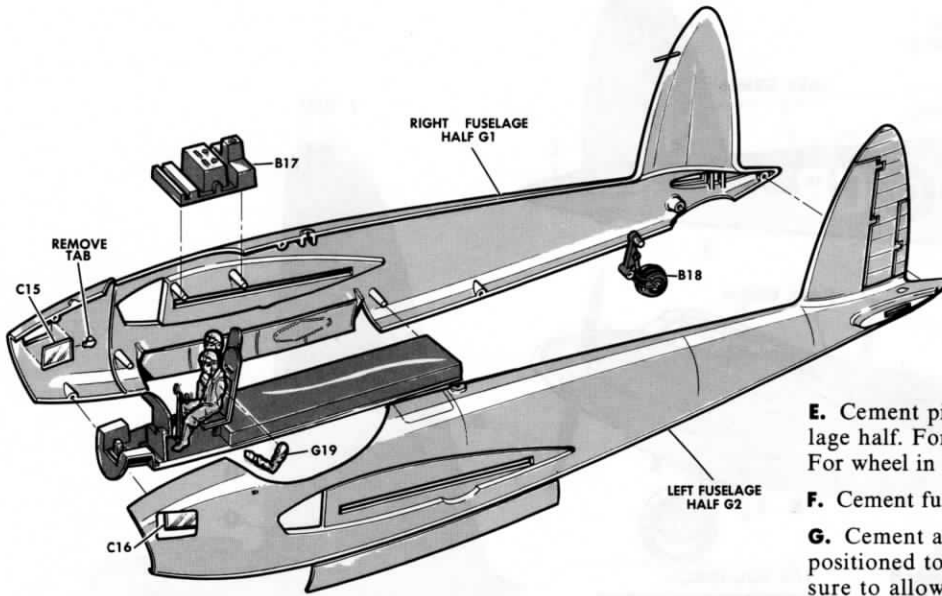
**C.** Cement control panel B13 and bomber control column B14 to B9, in positions shown.

**D.** Cement navigators and pilots seats to tabs on floor as shown.



2

4



**A.** Cement clear window C15 to inside of opening in right fuselage half G1. Repeat using window C16 in left fuselage half G2.

**B.** If bomb bay doors were cut open in Step 1, cement hinges of right door to right fuselage half as shown. Repeat for left door.

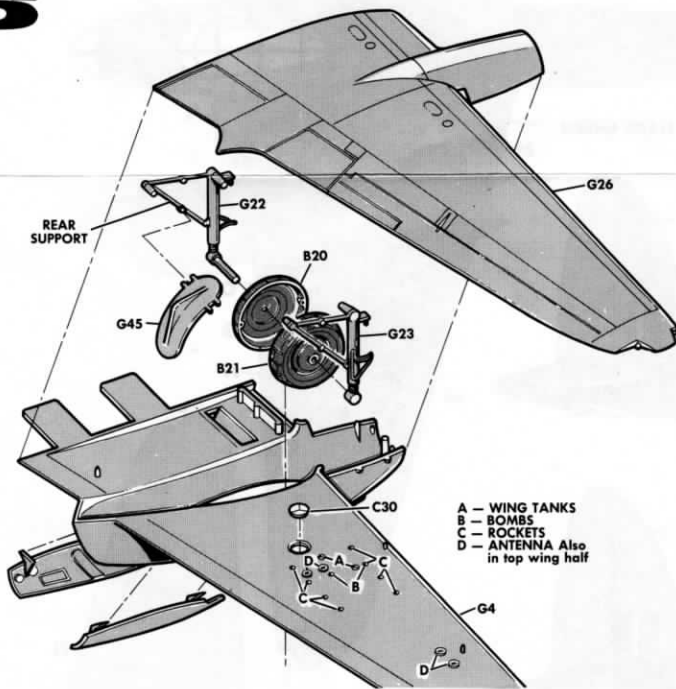
**C.** Cement radio equipment B17 to top of pins in upper right fuselage half.

**D.** Cement cockpit floor assembly to top of two pins in right fuselage half. Rear pin in fuselage half goes just behind small pin on underside of cockpit floor.

**E.** Cement pins on tail wheel B18 into sockets in left fuselage half. For wheel in up position, use two lower sockets. For wheel in landing position use two rear sockets.

**F.** Cement fuselage halves together.

**G.** Cement arm G19 to pilot. Using tweezers, arm may be positioned to appear to be holding controls or waving. Be sure to allow clearance for canopy to be installed later if arm is in a waving position.



Note: If landing gear doors were not opened in Step 2, omit Sections **A** thru **F** of this step.

**A.** Cement wheel halves B20 and B21 together.

**B.** Slip wheel onto axle on strut half G22 and cement strut halves G22 and G23 together.

**C.** Cement mud guard G45 between rear supports of strut assembly.

**D.** Cement two pins on upper arms of landing gear assembly into two sockets in bottom of engine nacelle in lower wing half. Support leg should just come to edge of opening.

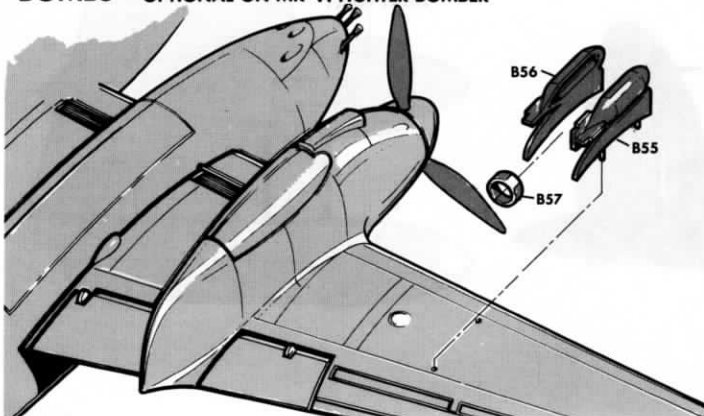
**E.** Cement hinges on landing gear doors to inside edges of opening.

**F.** Repeat above procedure for opposite landing gear using parts G24, G25 and G45 in lower wing half G5.

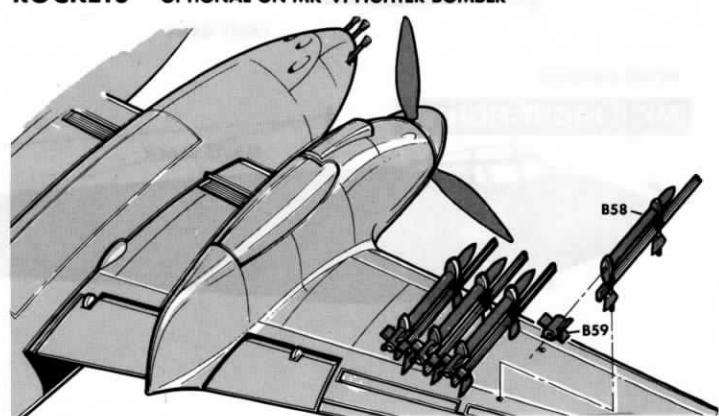
**G.** Open appropriate holes indicated in drawing for the underwing stores or antenna to be used on the version you've selected to assemble. See drawings below. Open holes from the inside with the tip of your razor knife. Cement the underwing stores to wings after model has been assembled.

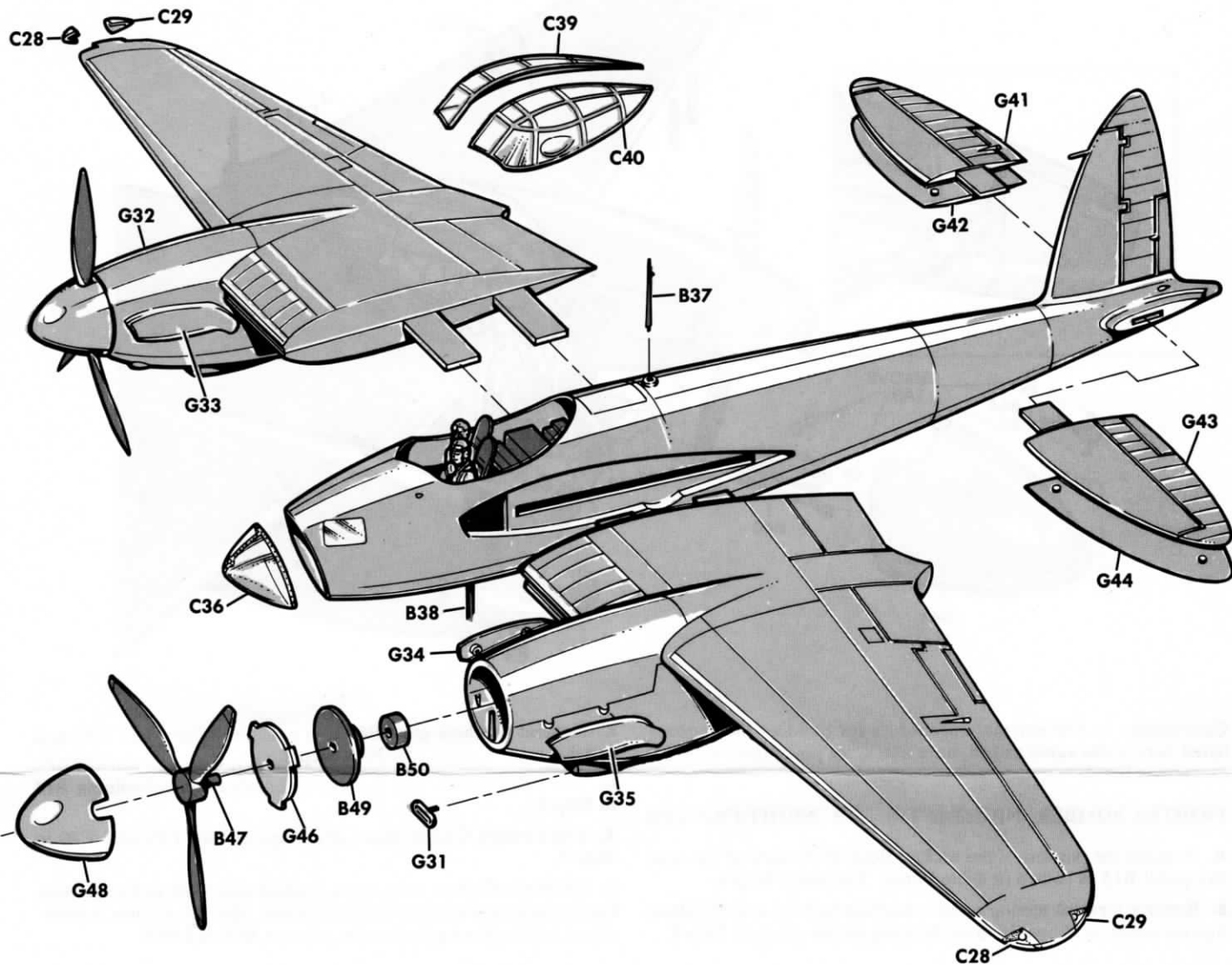
**H.** Cement landing light lenses C30 into hole in each lower wing half. Cement top wing halves G26 and G27 to bottom wing halves.

## BOMBS OPTIONAL ON MK VI FIGHTER BOMBER



## ROCKETS OPTIONAL ON MK VI FIGHTER BOMBER





**A.** Cement forward navigational light lenses C28 and rear navigational light lenses C29 to right and left wing tips.

**B.** Cement pin on intake screens G31 to front face of intakes on underside of each nacelle. Pin on each screen produces the correct gap between the screens and the front face of the intakes.

**C.** Cement exhaust deflectors G32, G33, G34 and G35 to pins on sides of nacelles.

**D.** Cement clear bomber nose C36 to front of fuselage. Add antenna support post B37 to hole in top and trailing antenna B38 to hole in bottom of fuselage.

**E.** Cement canopy halves C39 and C40 together and then to cockpit area on fuselage.

**F.** Cement top and bottom right stabilizer G41 and G42 together and then cement tab into slot in fuselage. Repeat for left stabilizer with pieces G43 and G44.

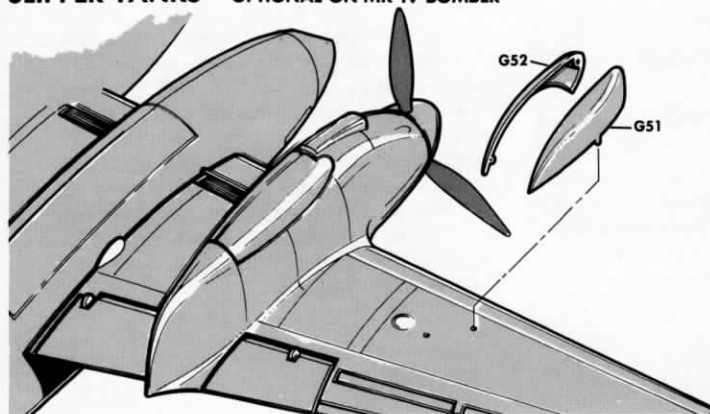
**G.** Cement tabs on right and left main wing assemblies into slots in fuselage sides.

**H.** Slip spinner backing plate G46 onto propeller B47 shaft. Cement spinner G48 to backing plate (with number on backing plate towards propeller).

**I.** Slip propeller bearing B49 onto propeller shaft with two ribs pointing away from propeller and then carefully cement retainer B50 to end of prop shaft. Be careful not to get cement between retainer and bearing or bearing and shaft as this will prevent propeller from rotating.

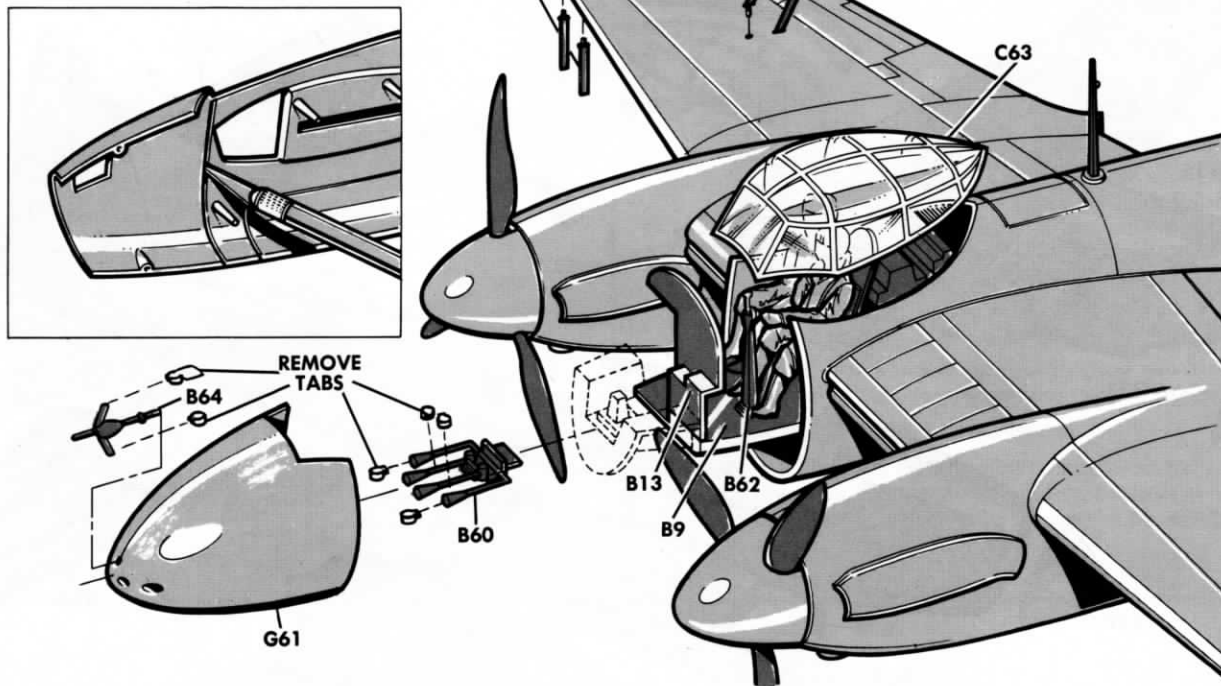
**J.** Repeat procedure h and i for assembling opposite propeller and then cement propeller assemblies to nacelles. Vertical pin in each nacelle fits between ribs on propeller bearing.

#### SLIPPER TANKS OPTIONAL ON MK IV BOMBER





# CONVERSIONS



Conversions — The assembly procedure for building the versions listed here is the same as the main assembly procedure, with the exceptions listed.

## FIGHTER-BOMBER NIGHT-INTRUDER NIGHT-FIGHTER

- A.** Remove the portion of the cockpit floor B9 forward of the control panel B13 as shown in dotted lines. Do this in Step 4.
- B.** Remove forward section of each fuselage half G1 and G2 along line on inside as shown in inset drawing before going to Step 5.

**C.** Cement machine guns B60 into holes in fighter nose G61 and use this nose in place of C36 in Step 7.

**D.** Use control stick B62 in place of bomber control column B14 in Step 4.

**E.** Use canopy C63 in place of canopy halves C39 and C40 in Step 7.

**F.** On Night-Fighter only, open flashed over hole in fighter nose G61 and cement antenna B64 into holes. Also open holes in sockets on inside of wing halves for antenna B65 and B66.

## FINISHING YOUR MODEL

**PAINTING** — The plastic parts in this kit are molded in gray, black and clear polystyrene. A realistic and attractive model can be completed without painting. However, if you wish to paint additional details or camouflage your model, suggestions are given here and on box cover.

It is best to paint most of the parts before cementing them. The large outside surfaces such as wings and fuselage may be painted after assembly. Only ENAMEL or PAINT FOR PLASTICS should be used. All colors used should have a flat finish. A small pointed brush is best for painting small parts. Larger areas are best covered with a soft brush about 1/4 inch wide. Allow time for paint to dry thoroughly before handling parts. Scrape paint away from areas which will be cemented because cement will not hold to painted surfaces. The following suggestions are for all versions:

**SILVER** — Wheels — landing struts — raised lines and control details in cockpit — buckles on seat belts — navigation light on rear tip of fuselage.

**LIGHT GRAY GREEN** — All inside surfaces visible through open bomb bay or landing gear doors — pilot and navigators seats.

**YELLOW** — Propeller tips.

**RED** — Port (left) navigation lights — gas cap on top of slipper tanks.

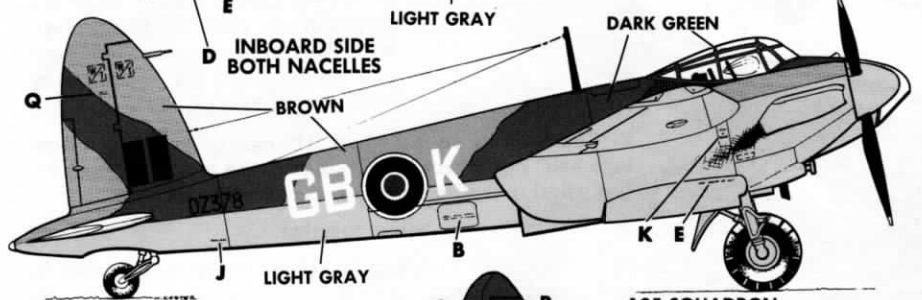
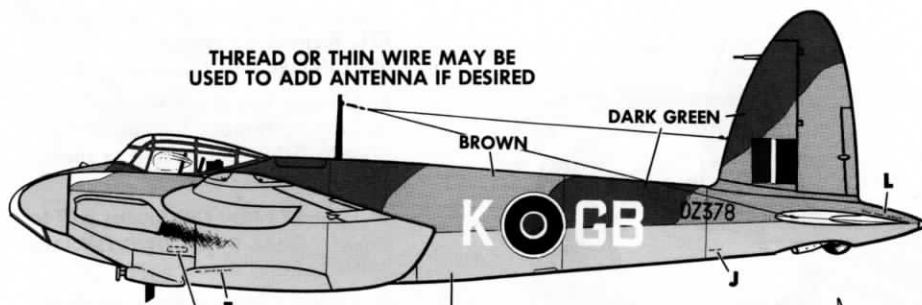
**GREEN** — Starboard (right) navigation lights.

**PILOT** — Blue uniform — yellow life jacket — white goggle strap and parachute harness — brown helmet, gloves and boots — black goggle frames — flesh face — silver buckles — cream fur collar.

**EXTERNAL COLORS** — As shown in illustrations.

**APPLYING DECALS** — When applying decals, refer to the drawing of the specific version you have assembled. The letters shown on the drawings are in reference to those on the decal sheet. The stenciling is the same for all versions. To apply decals, select the item you wish to apply and cut it from the sheet with scissors. For a neat job work with one subject at a time, and trim it close to color outline. Dip the decal in water for a few moments until it slides easily on the paper backing. Next, slide the decal into correct position. After the decal is in correct position, press out trapped air bubbles and blot with a soft rag. Before they are completely dry, decals should be pressed firmly against surface contours, such as rivets and lines.

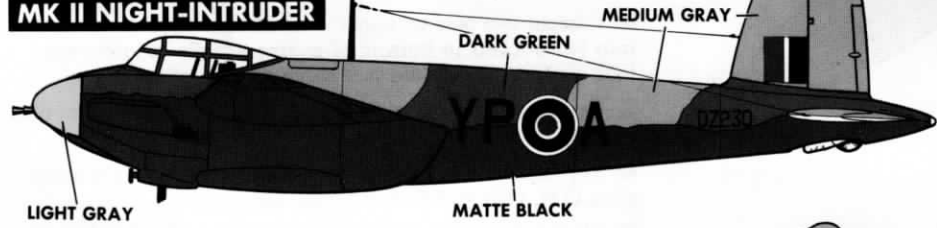
THREAD OR THIN WIRE MAY BE USED TO ADD ANTENNA IF DESIRED



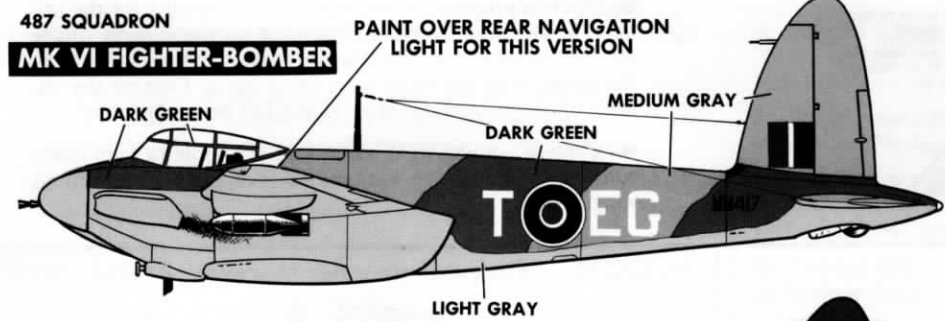
105 SQUADRON  
MK IV BOMBER



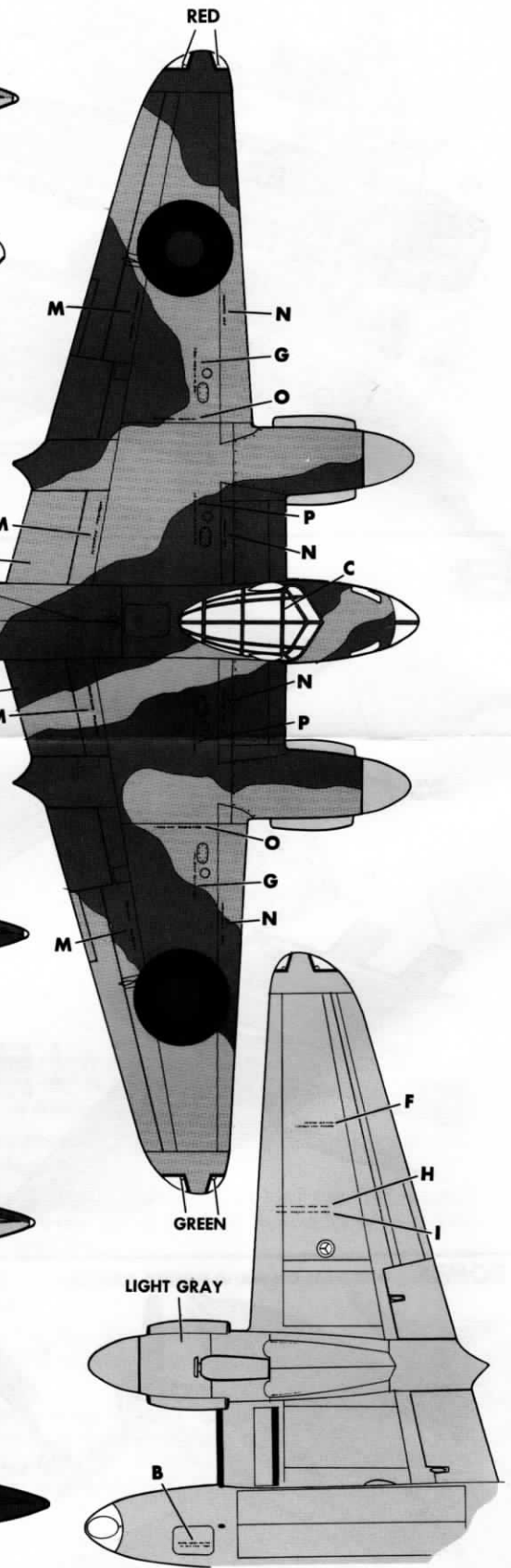
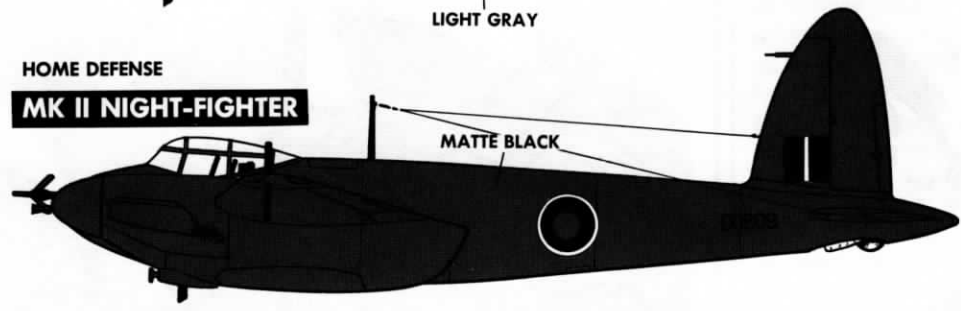
23 SQUADRON  
MK II NIGHT-INTRUDER



487 SQUADRON  
MK VI FIGHTER-BOMBER



HOME DEFENSE  
MK II NIGHT-FIGHTER



**Monogram**®

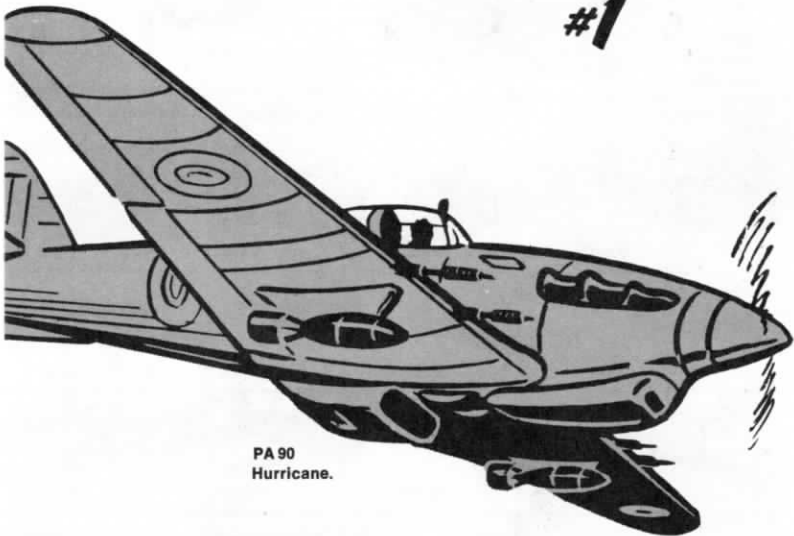
quality hobby kits



1/48 SCALE (QUARTER INCH)  
AND 1/32 SCALE (3/8 INCH)

# HOBBY CATALOG

#1



PA 90  
Hurricane.

**MONOGRAM MODELS, INC. MORTON GROVE, ILLINOIS**

COPYRIGHT © 1968, MONOGRAM MODELS, INC. MORTON GROVE, ILL. 60053 PRINTED IN U.S.A.  
06001 - 356

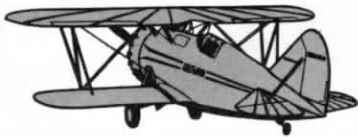
1/32 SCALE

## AIRPLANES (3/8 INCH)

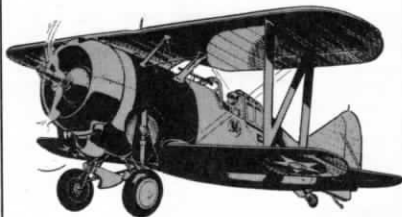


Four models of three famous aircraft in a popular, widely-chosen scale. All have working action, figure of pilot and complete detail.

**PA77 F-51 Mustang.** Wingspan 14 inches. Operating landing gear, sliding canopy, bomb-drop gear, detailed cockpit. \$2.00



**PA184 Gulfhawk.** Flown by Al Williams, famous air race pilot. Movable controls, retracting gear, detailed cockpit. \$2.00



**PA186 F3F-3 Navy Fighter.** Historic action model, movable controls, sliding canopy, simulated fabric covered wings. \$2.00

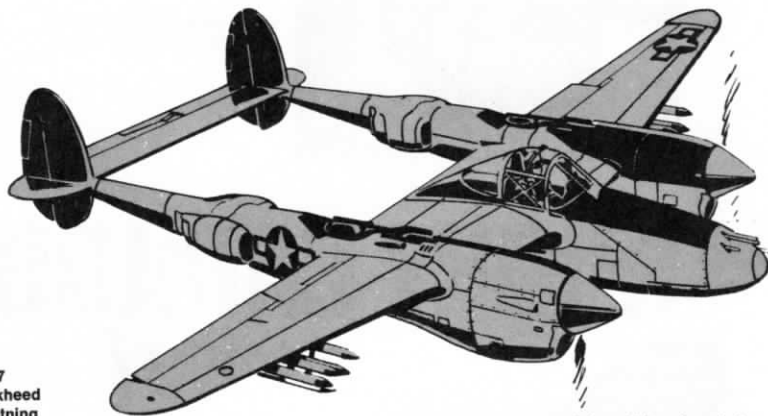


**PA67 Phantom Mustang.** Transparent, see-thru action model. Drops bombs, spins prop, operates landing gear, with push of button. Two electric motors and display pylon. \$7.00







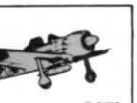













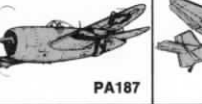

## QUARTER INCH SCALE AIRPLANES

Most popular continuing scale series of airplane models ever produced.  
Extra fine detailing. Most kits have working action — folding wings — retractable landing gear, etc. Authentic decals.



**PA97**  
Lockheed  
Lightning

World War II twin boom fighter. Kit makes choice of five versions. Nose armament door and canopy open. Pilot ladder retracts. \$2.00.

 <b>PA31</b>	 <b>PA54</b>	 <b>PA66</b>	 <b>PA69</b>	 <b>PA73</b>
 <b>PA74</b>	 <b>PA79</b>	 <b>PA80</b>	 <b>PA82</b>	 <b>PA90</b>
 <b>PA96</b>	 <b>PA107</b>	 <b>PA121</b>	 <b>PA129</b>	 <b>PA135</b>
 <b>PA136</b>	 <b>PA151</b>	 <b>PA152</b>	 <b>PA187</b>	 <b>PA207</b>

- PA31 TBF Avenger.** Drops torpedo, bomb bay doors open, wings fold, landing gear retracts. \$1.50
- PA54 SBD Dauntless.** Movable dive brakes, retracting gear, swiveling gun. \$1.50
- PA66 F4F Wildcat.** Folding wings, under-wing tanks. \$1.00
- PA69 SB2C Helldiver.** Folding wings, retracting landing gear. \$1.50
- PA73 Japanese Zero.** Carrier based fighter. Retracting gear. \$1.00
- PA74 Messerschmitt Me109.** Retracting gear, 3-blade prop. Luftwaffe decals. \$1.00
- PA79 Spitfire.** Retractable landing gear, 4-blade prop, belly tank. \$1.00
- PA80 F6F-5 Hellcat.** Folding wings, retracting gear, bombs, rockets. \$1.50
- PA82 F4U-4 Corsair.** Folding wings, retracting gear, doors open. \$1.50
- PA90 Hurricane.** Retracting gear. Extra parts for several versions. \$1.00
- PA96 P-40B Tiger Shark.** Famous shark's mouth decals. Selective landing gear. \$1.00
- PA107 Focke Wulf Fw190.** Extra parts for making choice of 6 versions. \$1.00
- PA121 T-28D.** Retractable gear, sliding canopy, U.S.—South Viet Nam decals. \$1.00
- PA129 Mosquito.** Parts for choice of 4 versions, tanks, bombs, rockets. \$2.00
- PA135 Kingfisher OS2U-3.** Assemble as land or seaplane. U.S.—British decals. \$1.50
- PA136 Mustang P-51B.** Regular and Malcolm canopies, detailed cockpit interior. \$1.00
- PA151 Huey Armed Helicopter.** Rotating rotors, pilot, machine guns. \$1.00
- PA152 Huey Rescue Helicopter.** Rotating rotor, stretcher bearers, occupied stretchers. \$1.00
- PA187 Thunderbolt P-47D.** Detailed cockpit, pilot, bombs and drop tank. \$1.50
- PA207 Ju87G-1 Stuka.** The German "Tank Buster". Two figures, 37mm cannon, machine guns. \$1.50

**Monogram**

quality hobby kits





EG T A T EG

A  
A



K GB GB K



W/T

Y P A

DD609  
DD609

W/T



MM417  
MM417



A Y P

DZ378  
DZ378

A

Q

S

B

D

F

H

J

L

R

O

C

E

G

I

K

M

N

P

00129-030

DZ230  
DZ230