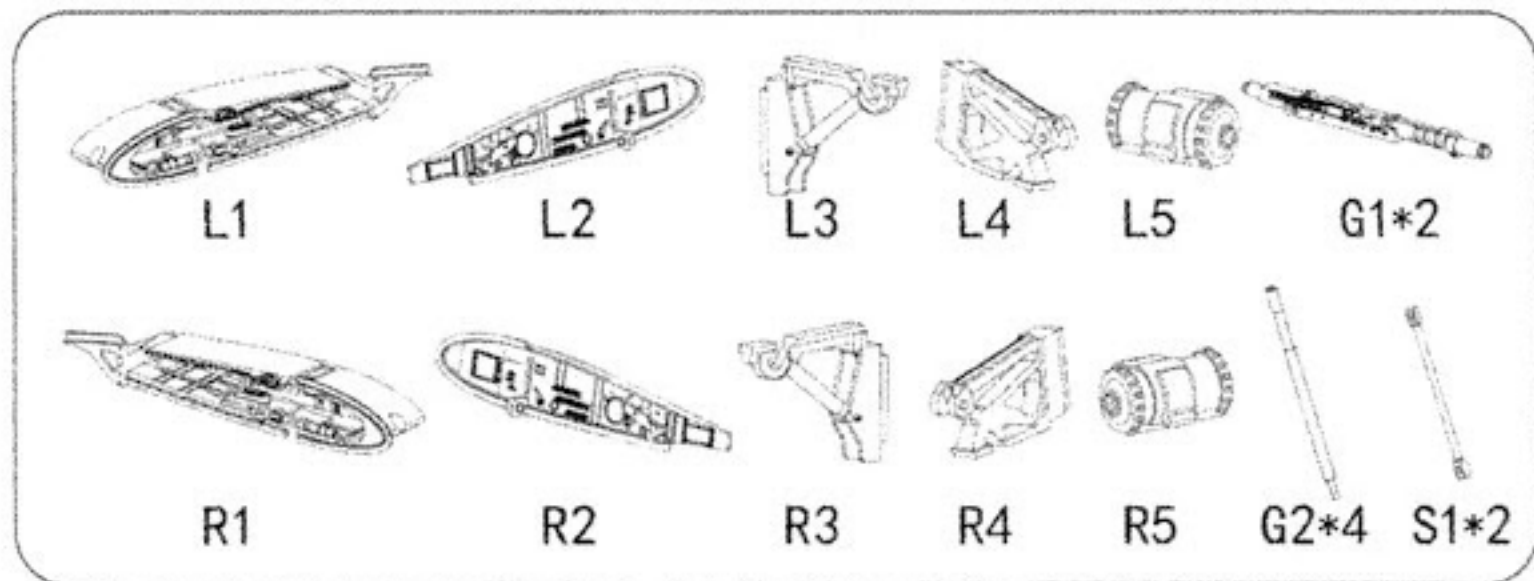
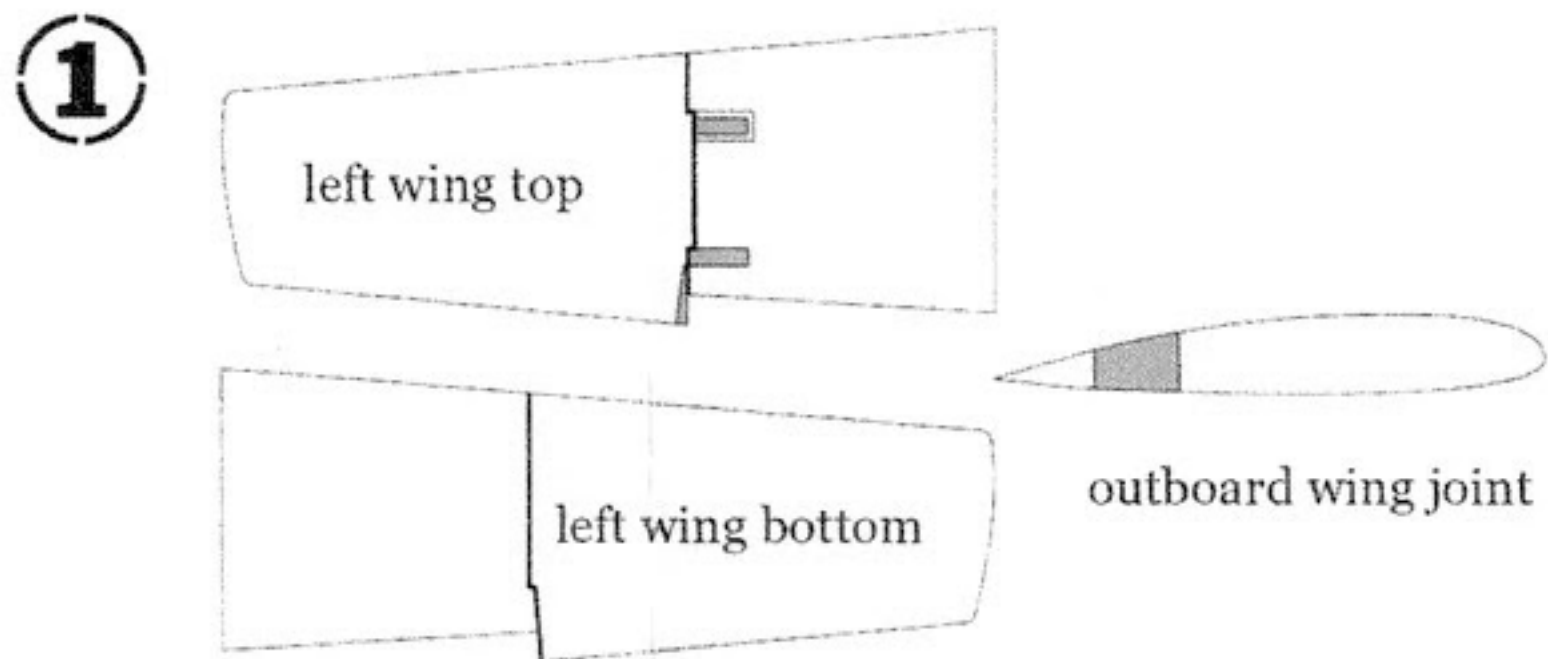


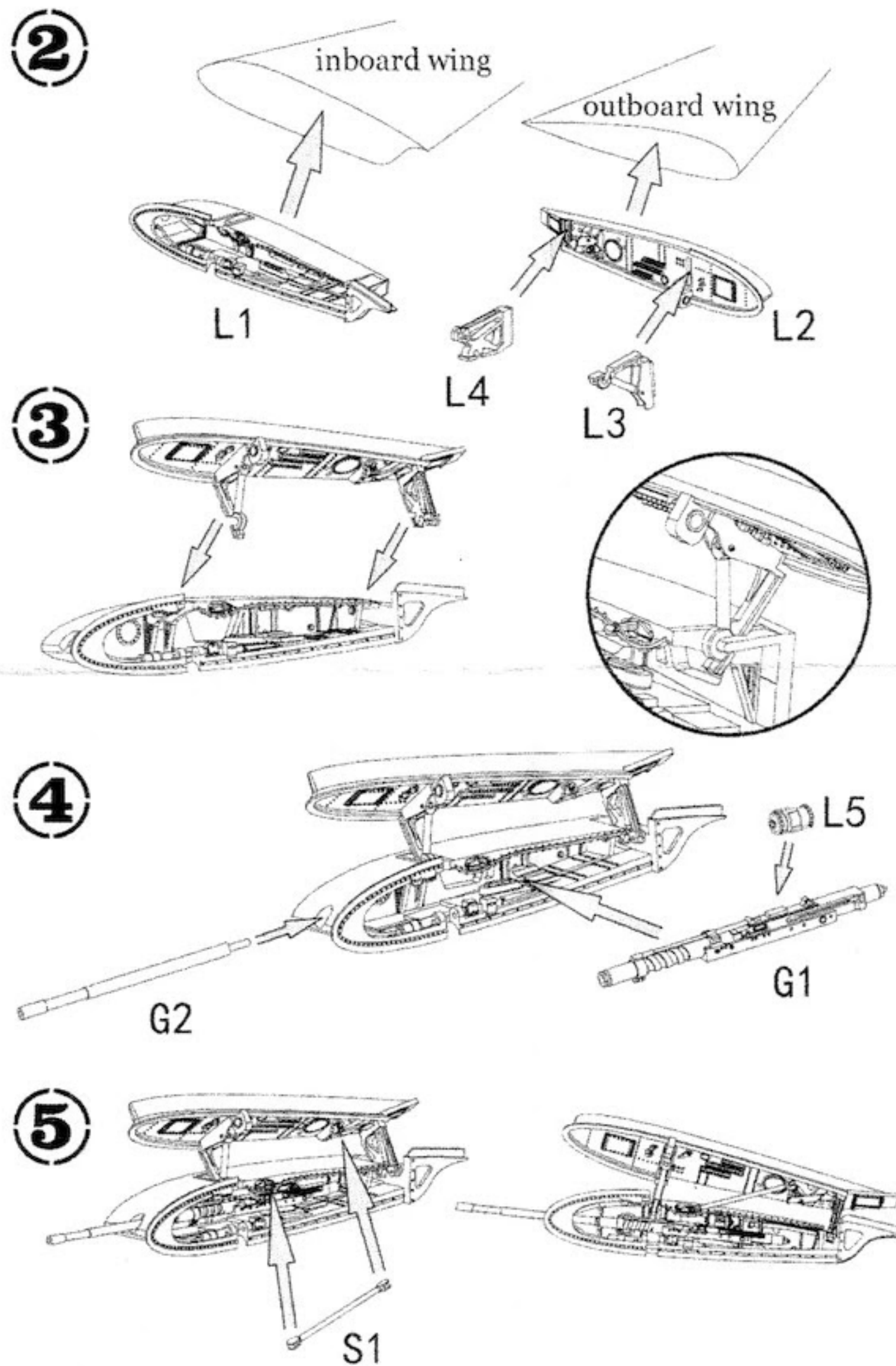
Recommend kit: TAMIYA



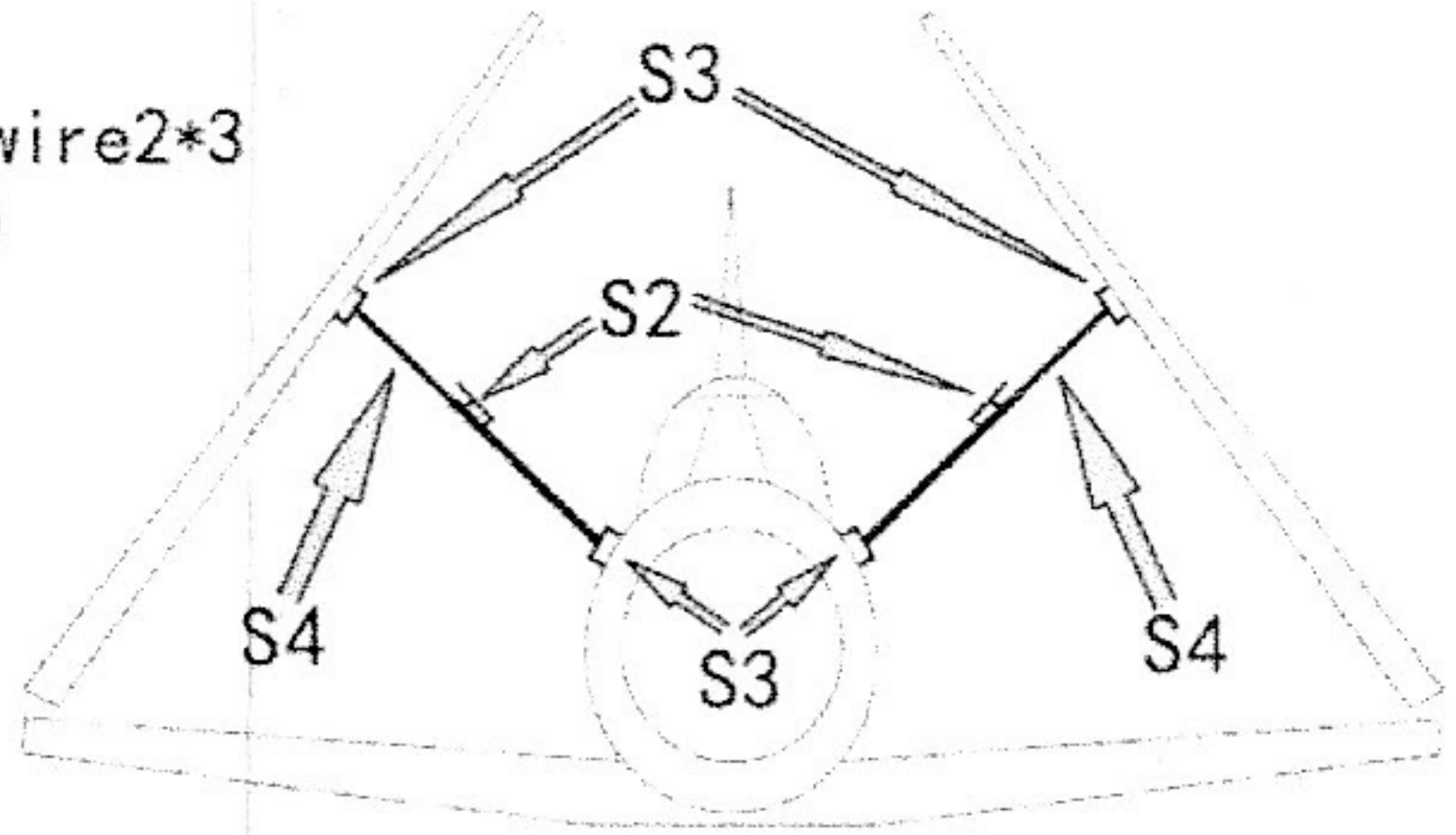
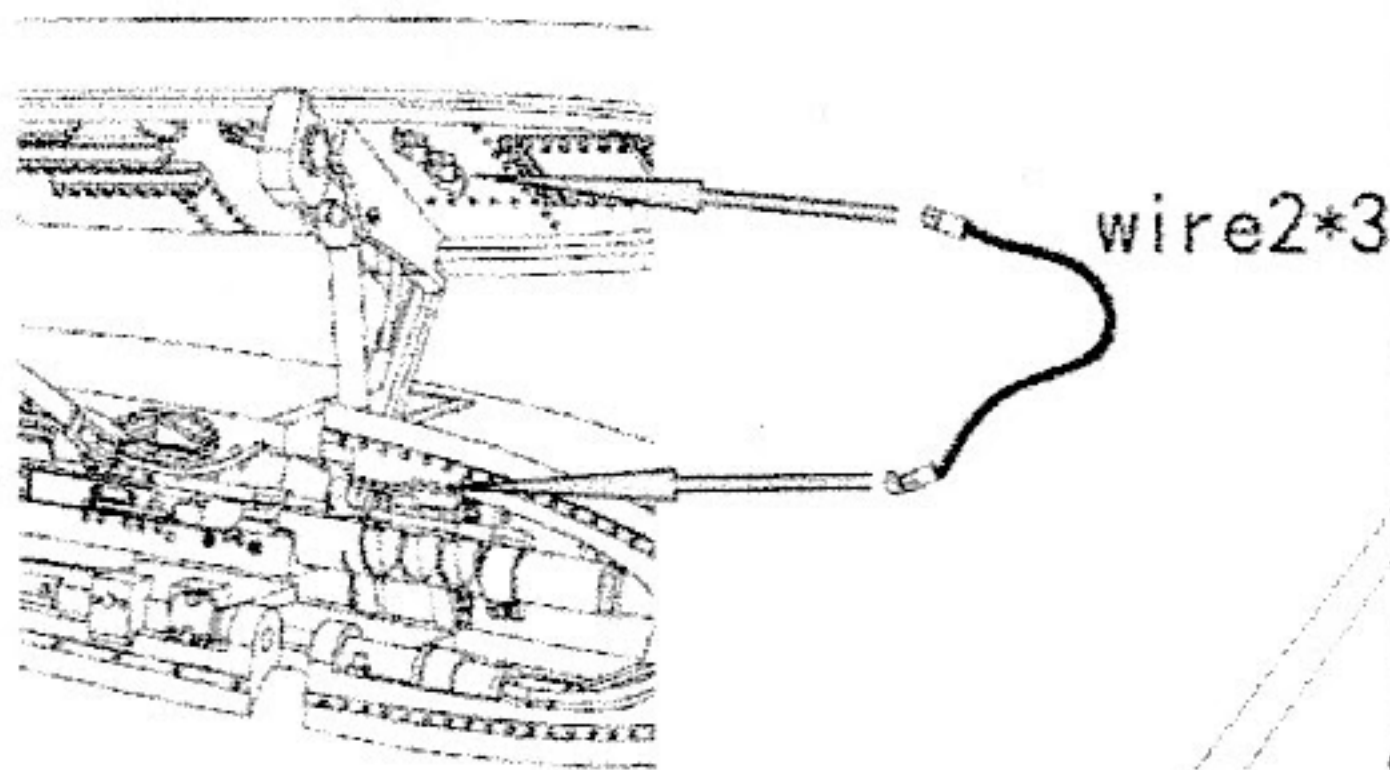
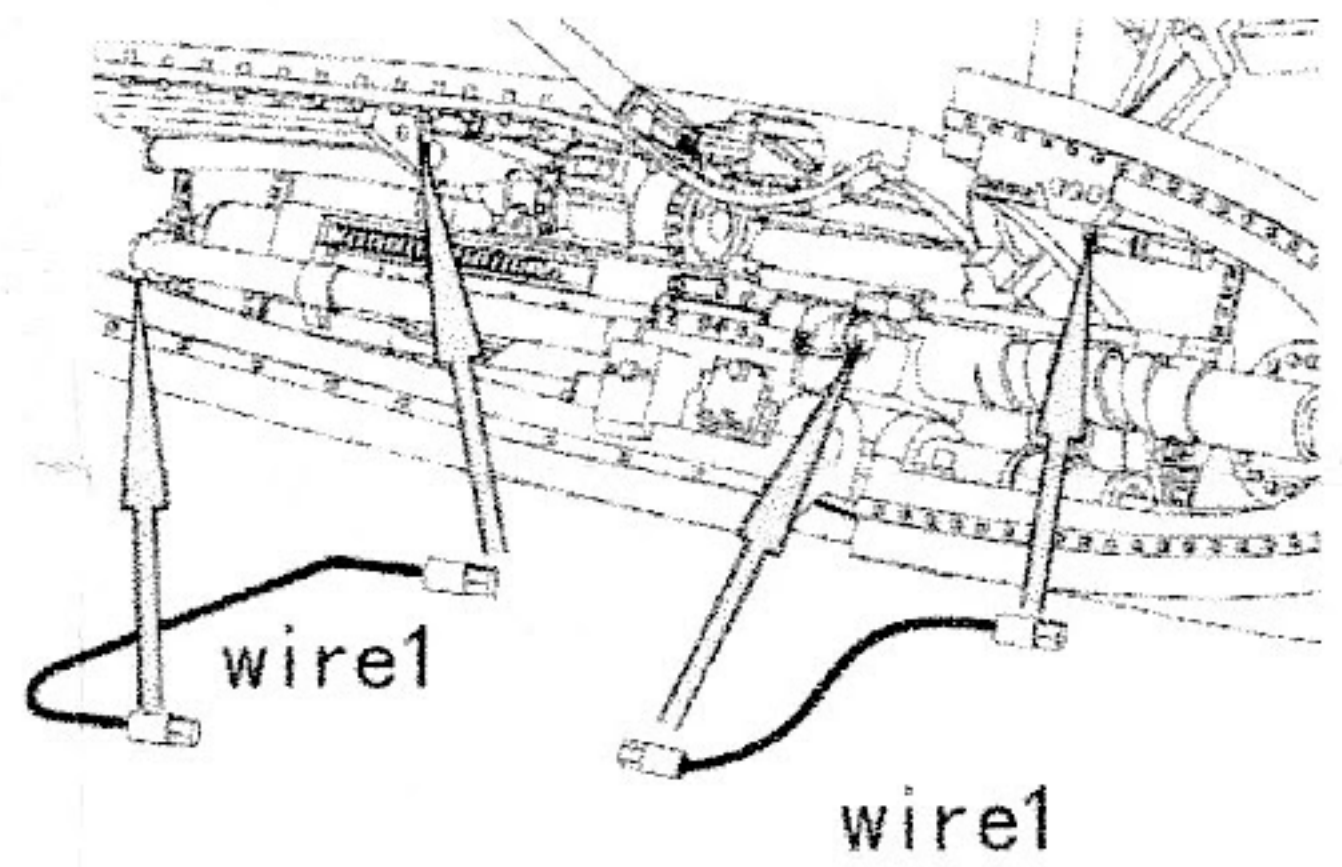
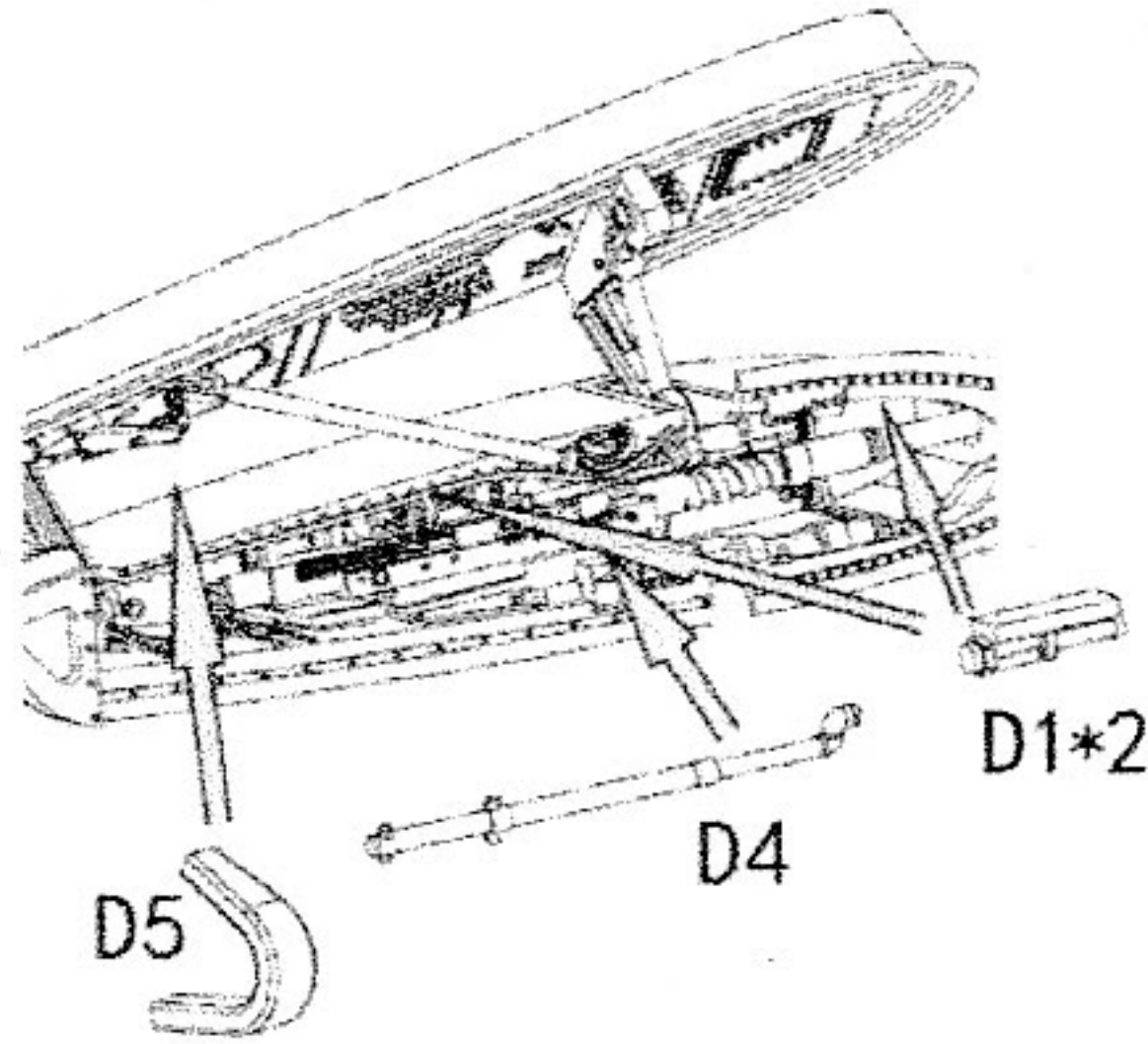
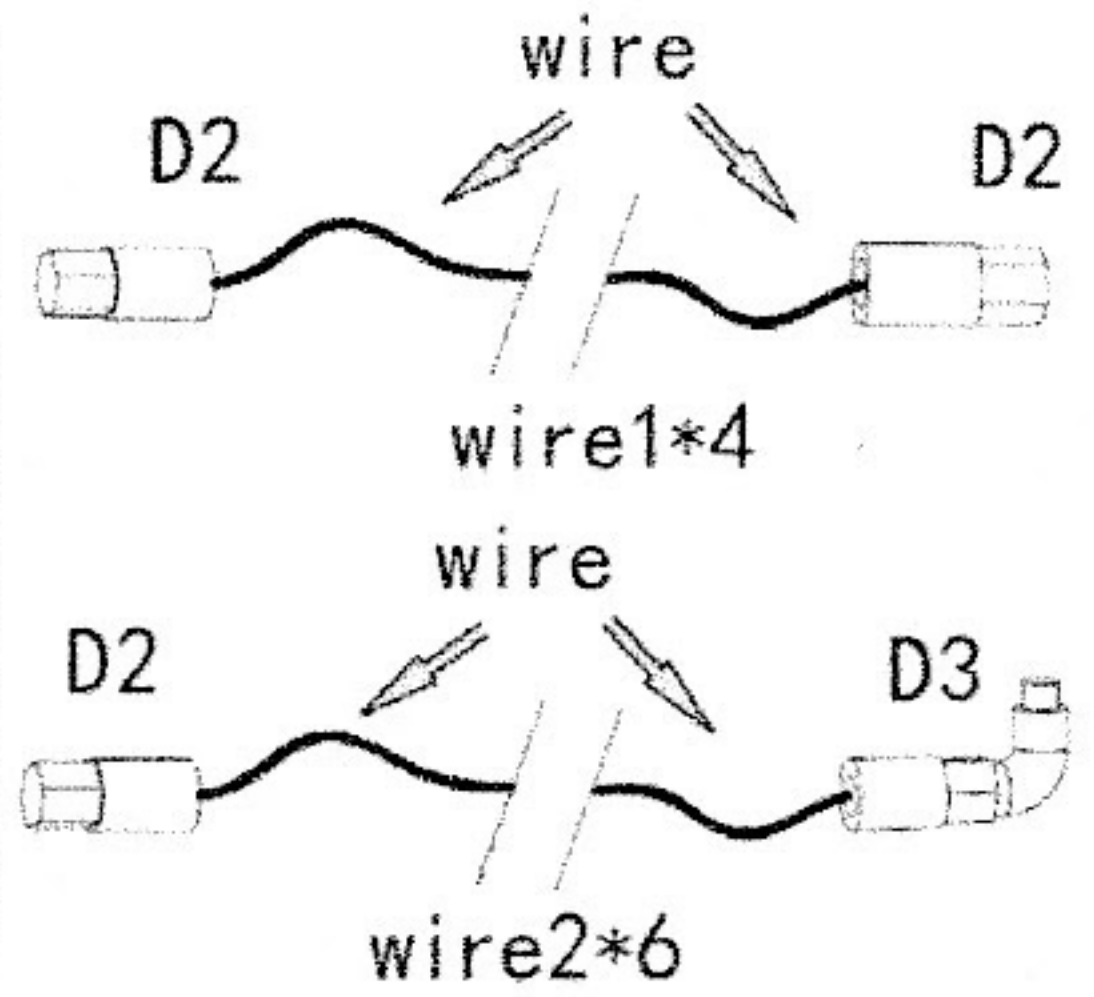
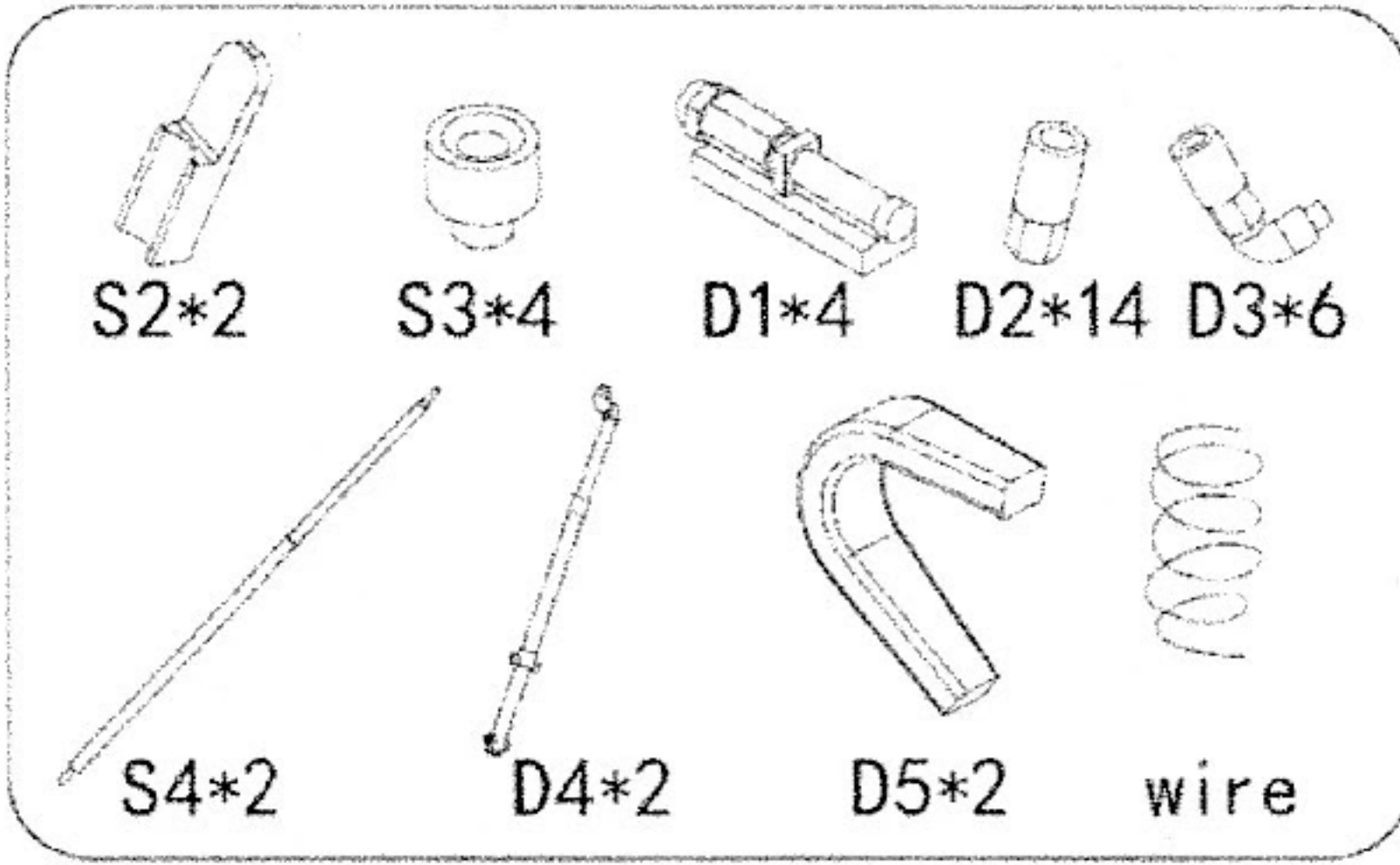
- TIPS:
- This instruction uses left wing as an example. Do the same on opposite side.
 - The wingfold joint lines are wider than other panel lines. Cut carefully.
 - Use spare G2 part to replace the kit gun barrel.



Separate wing parts along the black line.
Remove the grey area.



Wing folded struts & other details



- It's not necessary to install all the parts shown on this page.they are used in some particular cases.
- Check your references before assembly.
- Attach S3 parts on the outboard wing top and fuselage first. It's easy to find the holes on kitparts to joint them together.