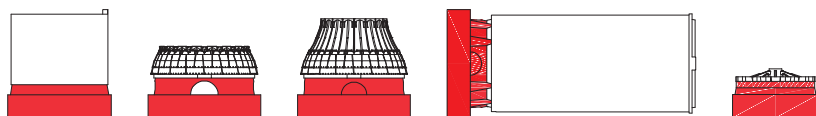
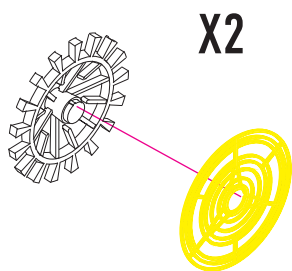


1

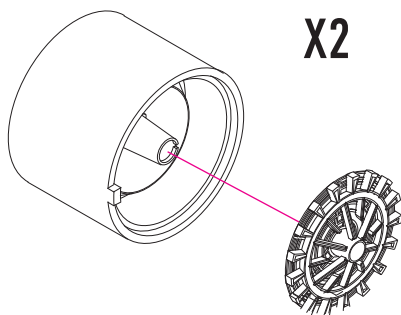


CUT

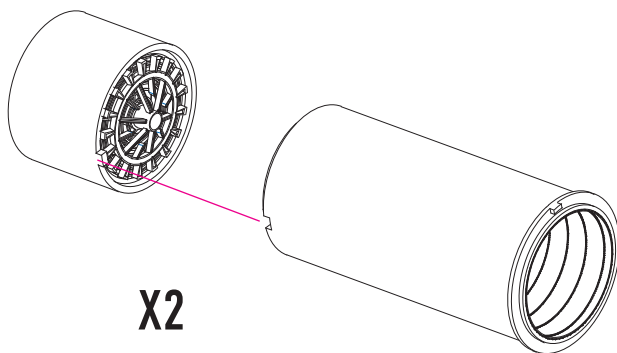
2



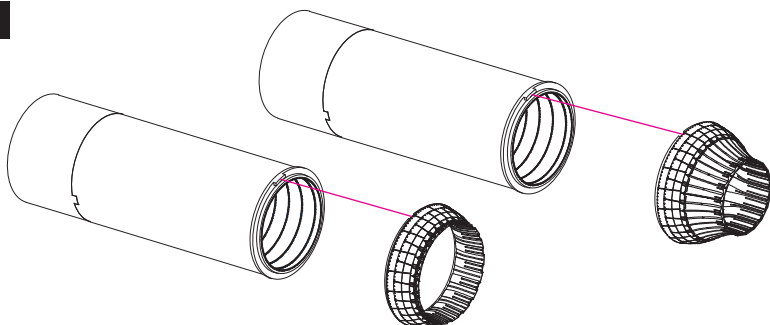
3



4

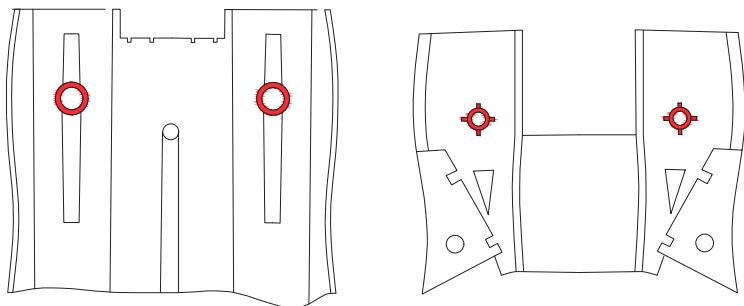


5

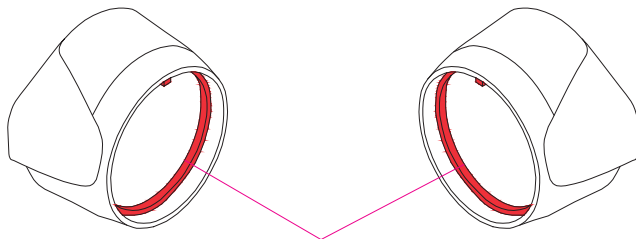


6

Remove from Upper fuselage, Lower fuselage



7



Remove from parts C11, C12