

## US C-RAM with HEMTT A3

### C-RAM防空系统(HEMTT A3底盘)

#### READ BEFORE ASSEMBLY:

- Study and understand these instructions thoroughly before beginning assembly
- When needed, remove photo-etch parts carefully using a modeling knife or photo etch sprue cutter, being careful not to damage or lose small parts.
- Take extra care in handling photo etch parts in order to avoid injury
- Apply instant cement sparingly to photo etch parts where instructed
- Tools recommended(not included in kit):Plastic and instant cements, sprue cutters,long nose pliers,modeling knife, small files, tweezers, pin vise & scissors. Soft cloth and sandpaper will also assist in construction
- Glue and paint are not included in the kit. Use plastic cement and hobby paints only. Color guide for purchasing paint is included in the kit.

#### 装配之前仔细阅读

- 小心用模型锉刀锉平所有零件表面的注射浇口。
- 小心用刀片切下蚀刻片零件，不要遗失小零件。
- 用强力快干胶水粘合蚀刻片零件和金属轴。过量快干胶水使用可能导致可动零件会粘住，小心涂胶。
- 取蚀刻片时应特别注意安全，防止利边划伤手指。
- 某些零件表面需贴水上贴纸，请选择在装配的同时进行。
- 推荐模型工具(自备)：胶水，水口剪刀，长咀钳，刀片，锉刀，镊子，钳，钻，剪刀，瞬间快干胶。
- 软布同砂纸同时也是所需工具。
- 请使用塑料胶水和油漆，模型内不含。



使用强力胶  
Cyanoacrylate glue



配重  
Weight



钻孔  
Make hole



切除  
Cut / Remove



贴纸  
Decal



锉平  
File / Sand



选择  
Option



不涂胶水  
No cement



弯曲  
Bend



先装  
Install it first



填补  
Repair

#### 水贴纸的使用:

- 1.从水贴上剪下印花;
- 2.将印花放入温水中浸10秒,然后放在干净布上.
- 3.拿着印花纸板将印花移到模型上;
- 4.手指蘸水将印花移到适当的位置;
- 5.用软布轻压印花直至水干,气泡消失

#### DECAL APPLICATION

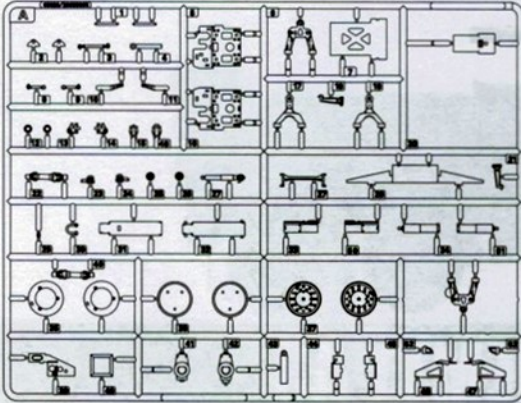
- 1.Cut decals from sheet as needed
- 2.Dip the decal in warm water for about 10 seconds and then place on soft clean cloth.
- 3.Hold the decal backing sheet edge and gently slide the decal onto the model in its proper position.

- 4.While still wet,decal can be adjusted for better fit on model by dampening it gently with your finger.
- 5.When placed in the proper position,gently press decal down with a soft cloth until excess water and air bubbles are gone.
- 6.Allow decal to dry completely before handling model

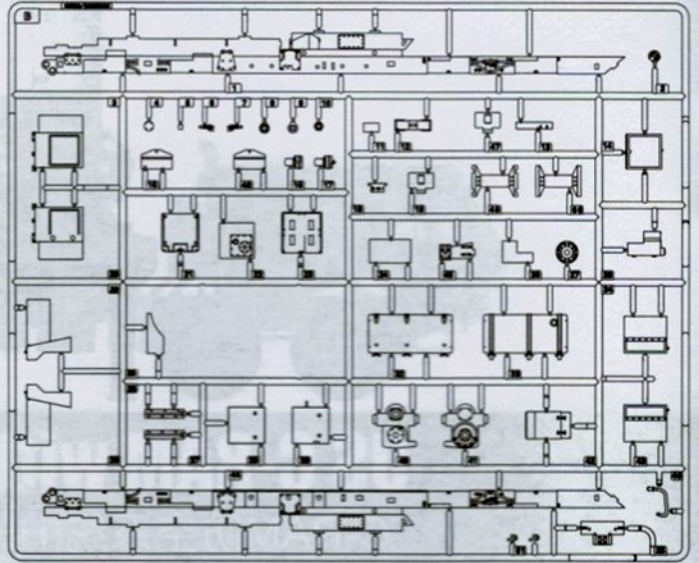
\* 说明书中含有重要信息，应保留。 Please Keep instruction since it contains important information.

部品图  
Parts

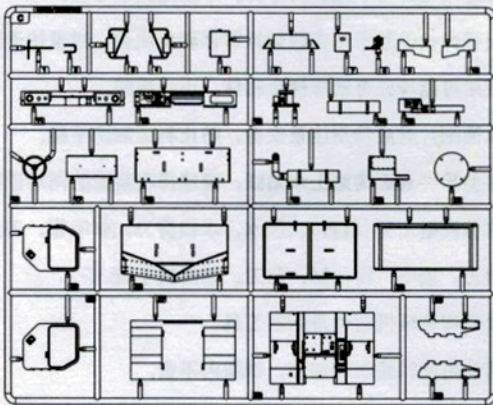
Ax4



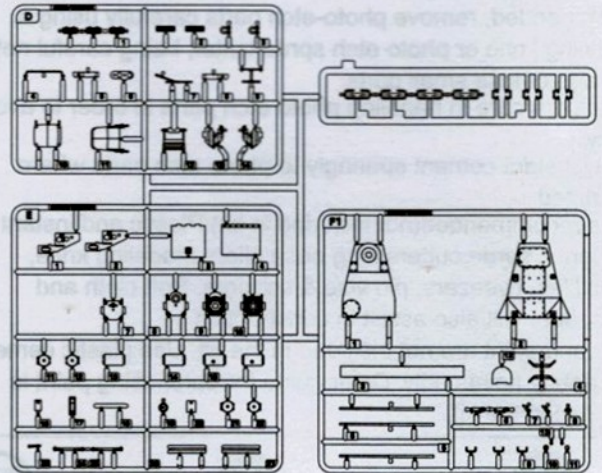
B



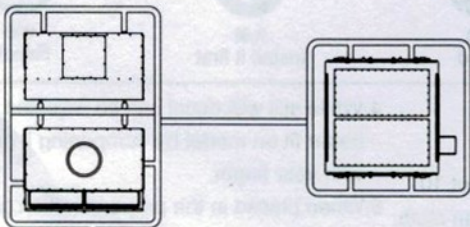
C



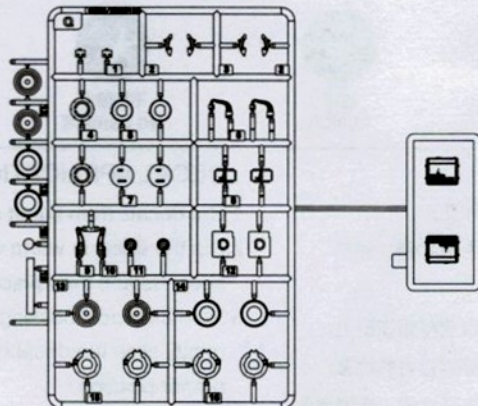
DEFx2



L

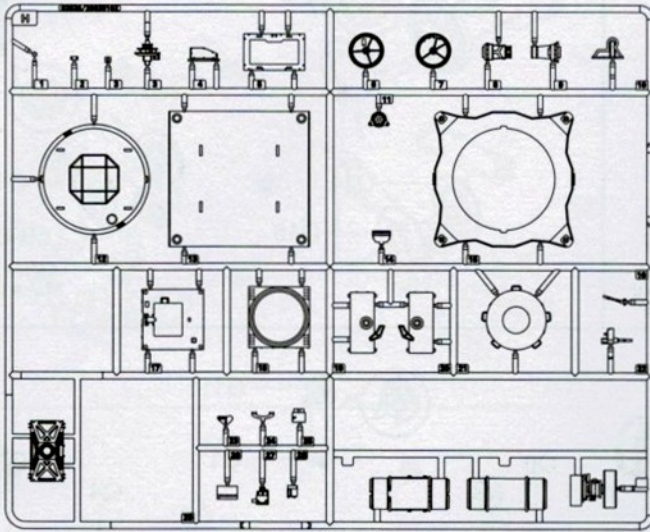


Qx2

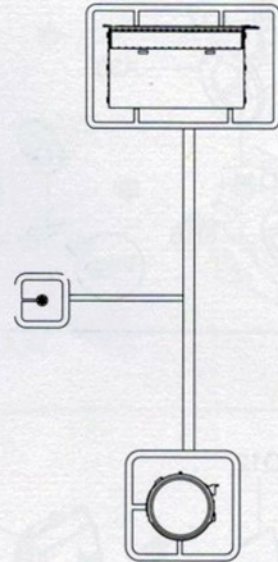


部品图  
Parts

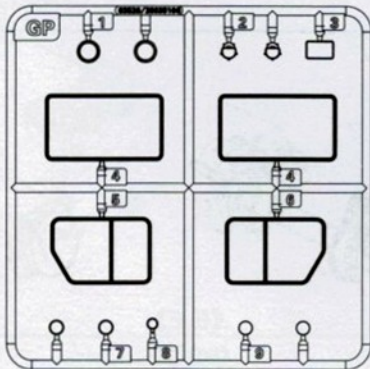
H



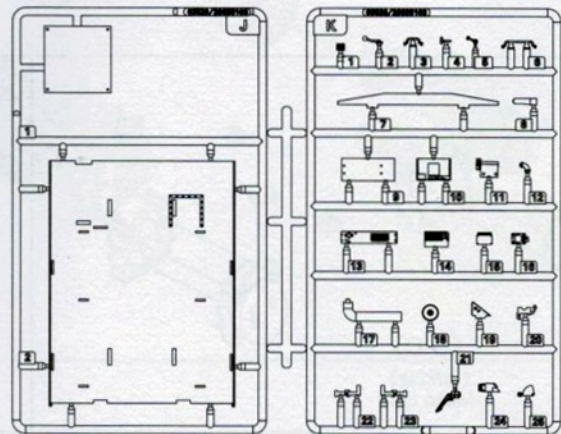
M



GP



JK



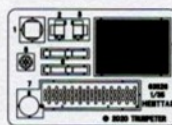
《轮胎》x8  
Tyre



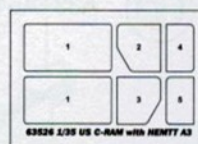
T



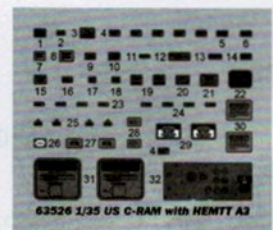
《蚀刻片》  
Photo Etched

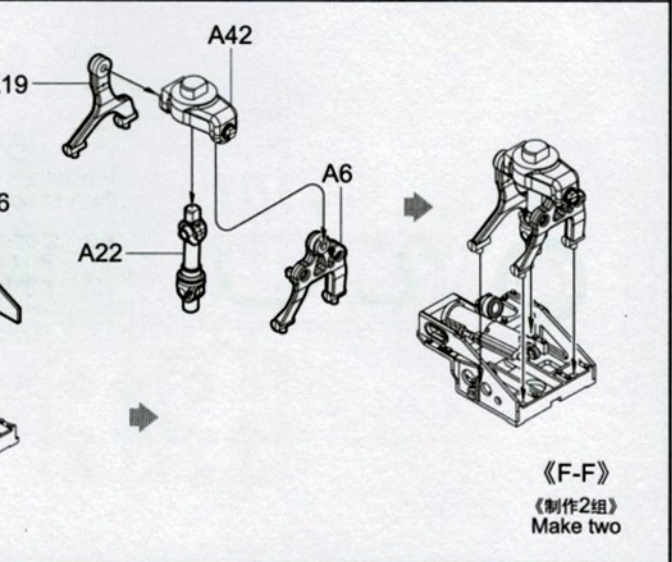
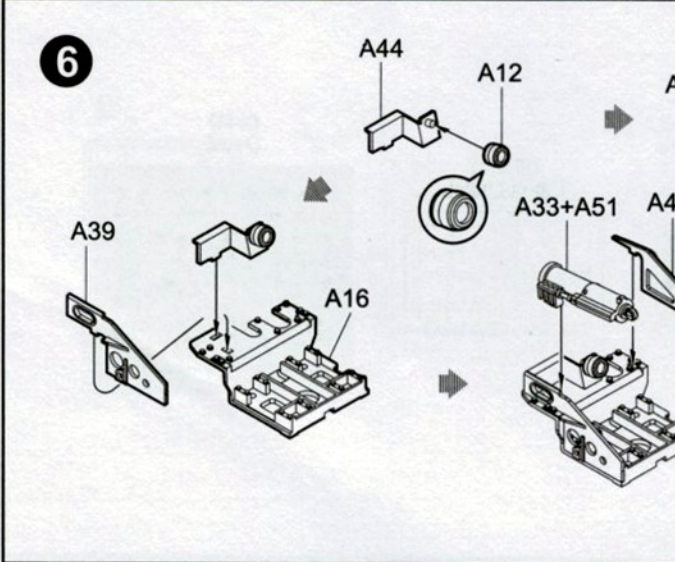
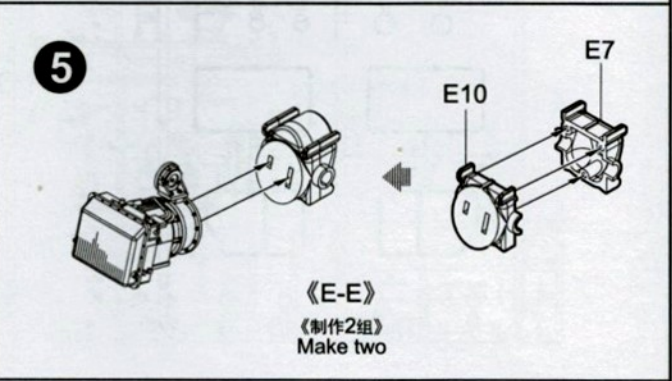
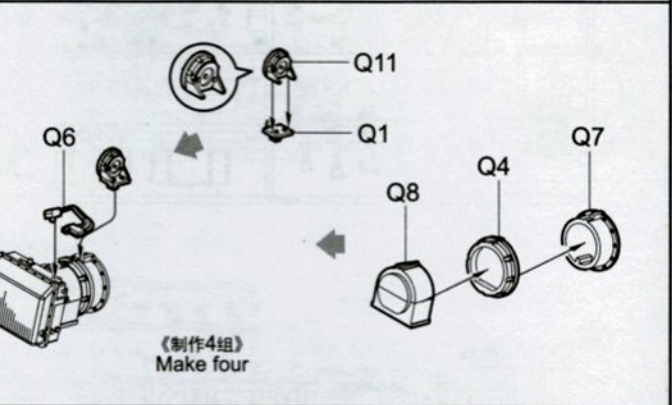
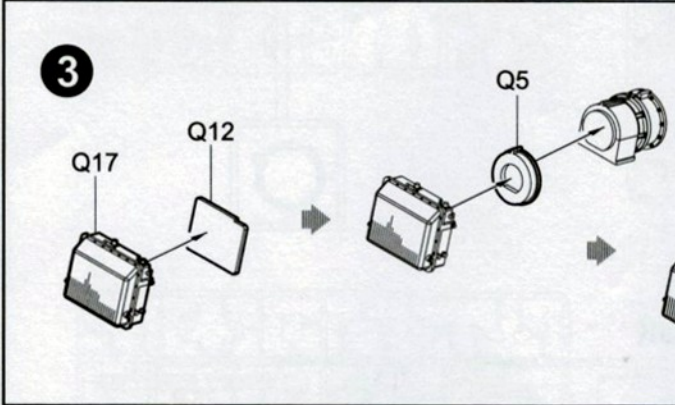
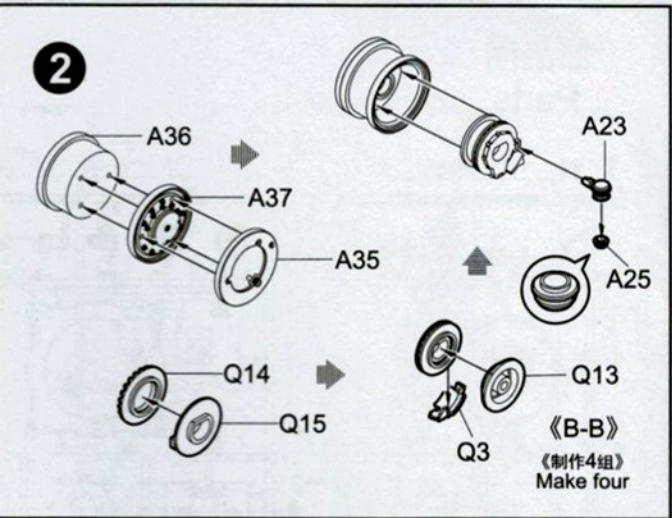
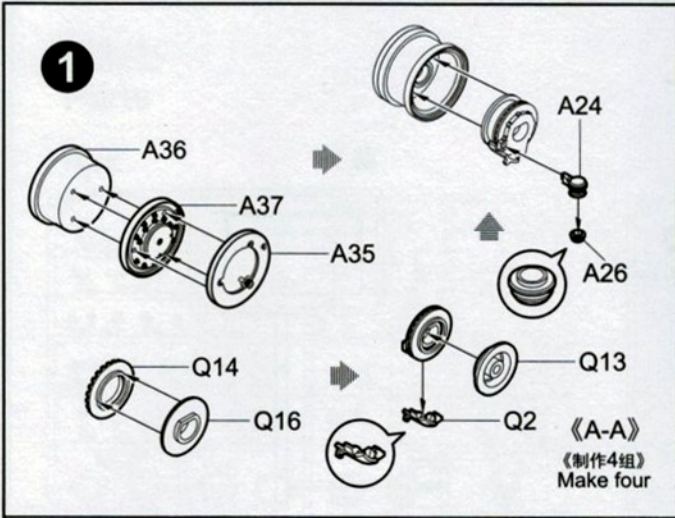


《遮盖纸》  
Die-cut mask

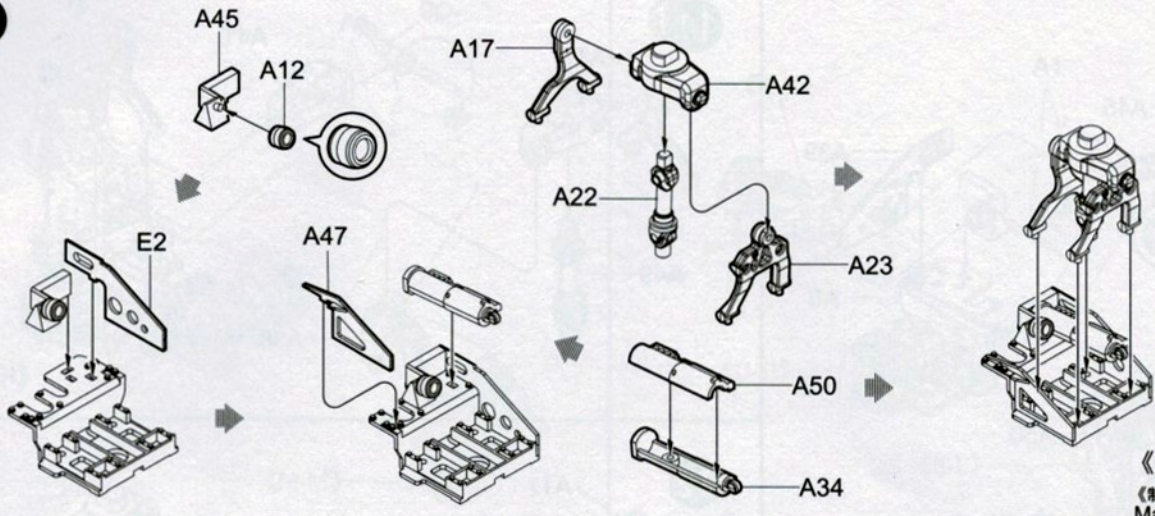


《水贴》  
Decal



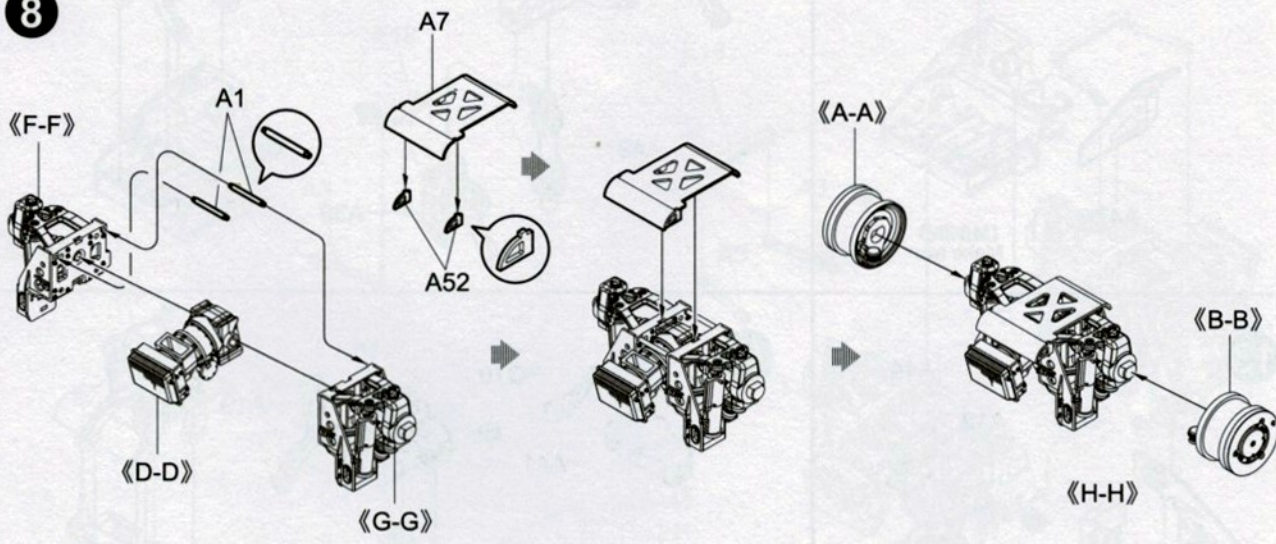


7

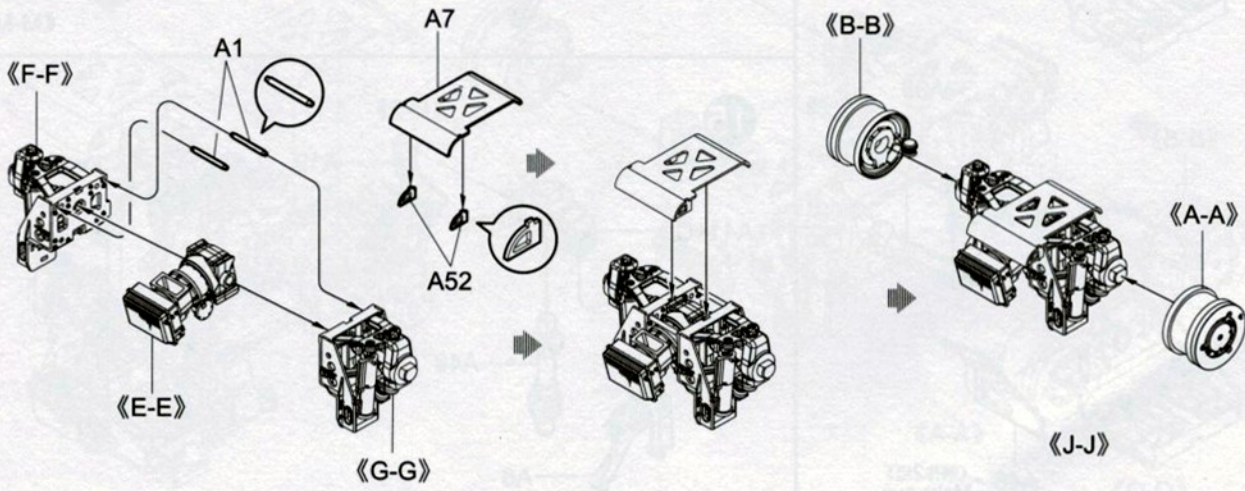


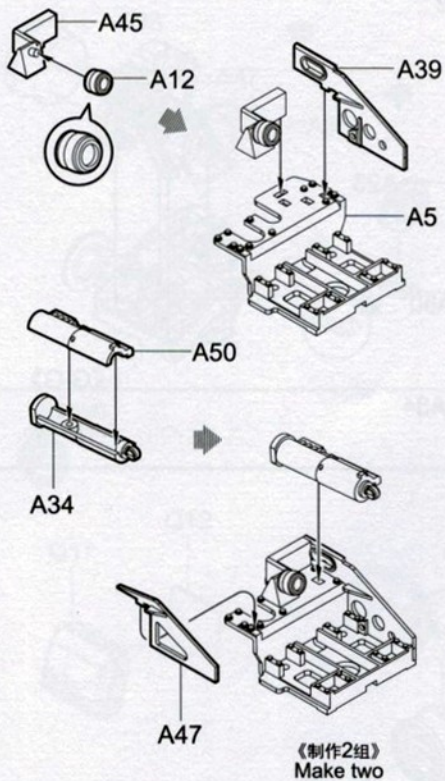
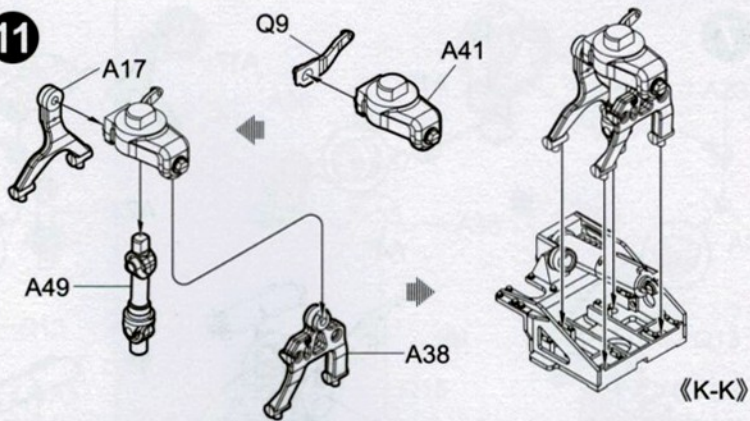
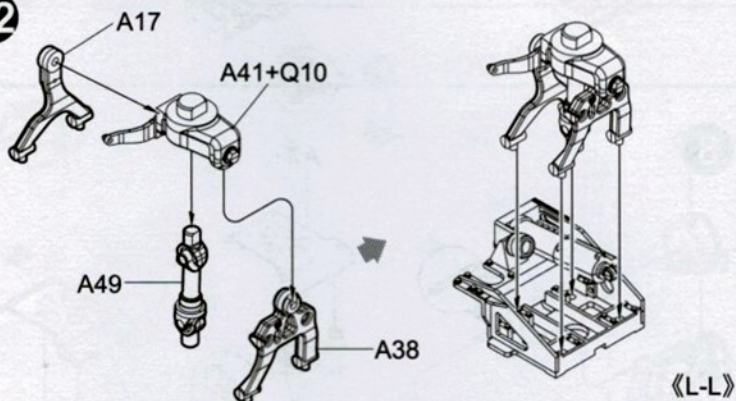
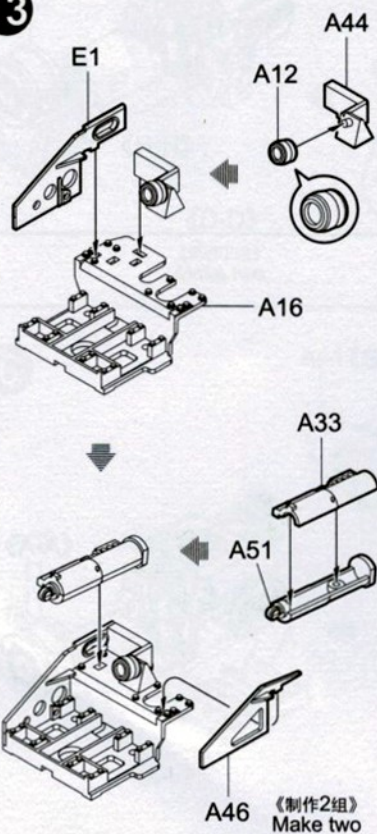
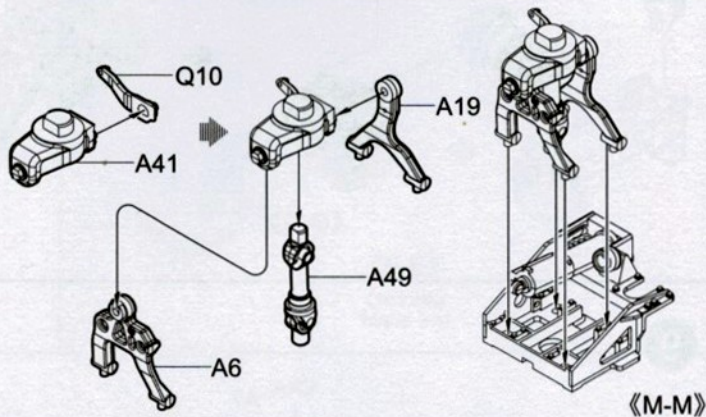
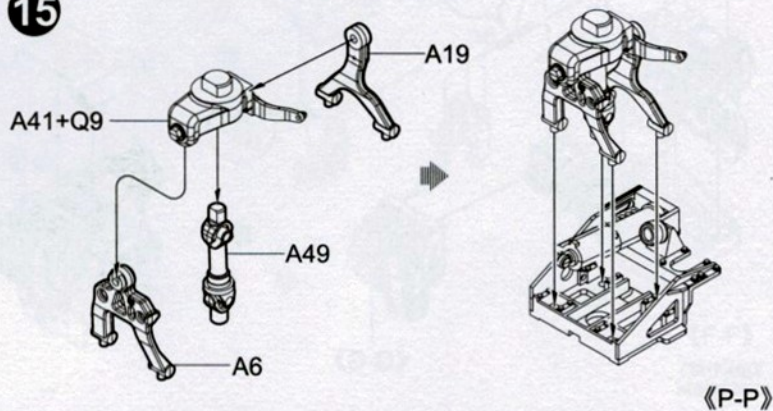
《G-G》  
《制作2组》  
Make two

8

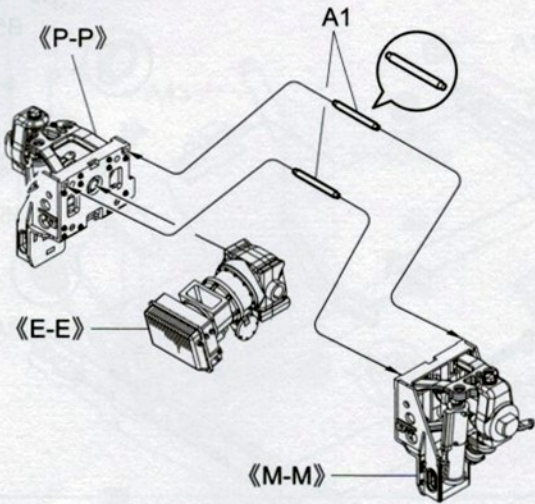


9

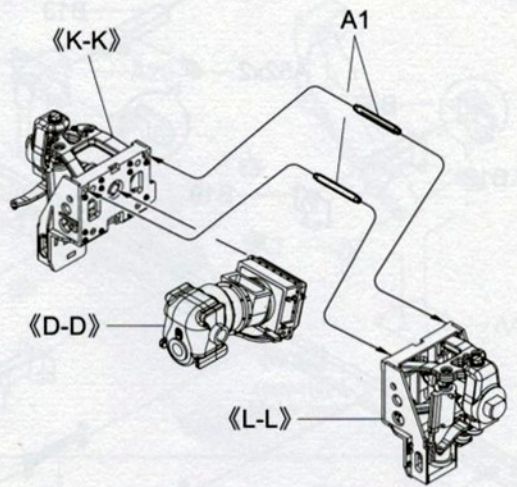


**10****11****12****13****14****15**

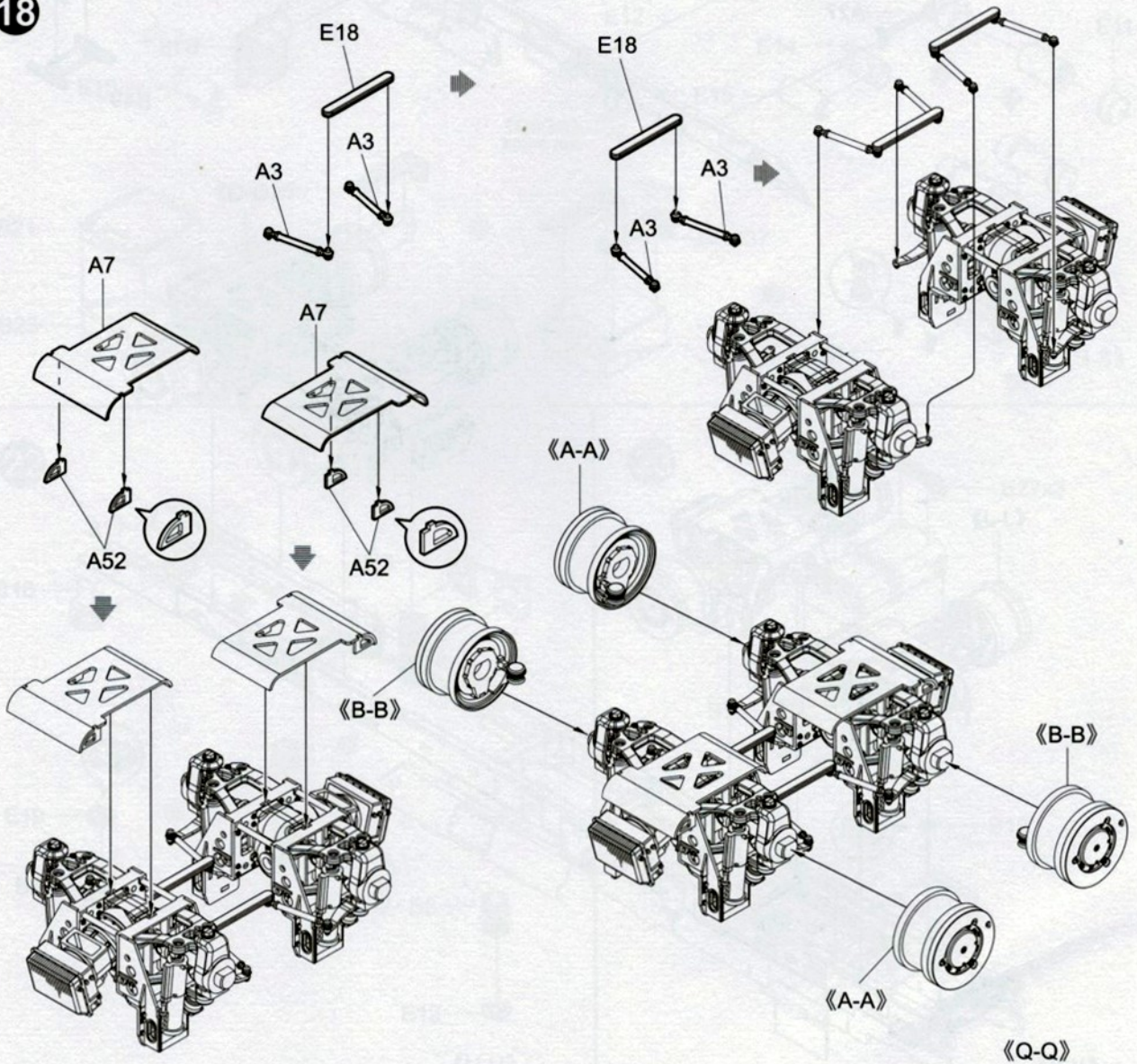
16



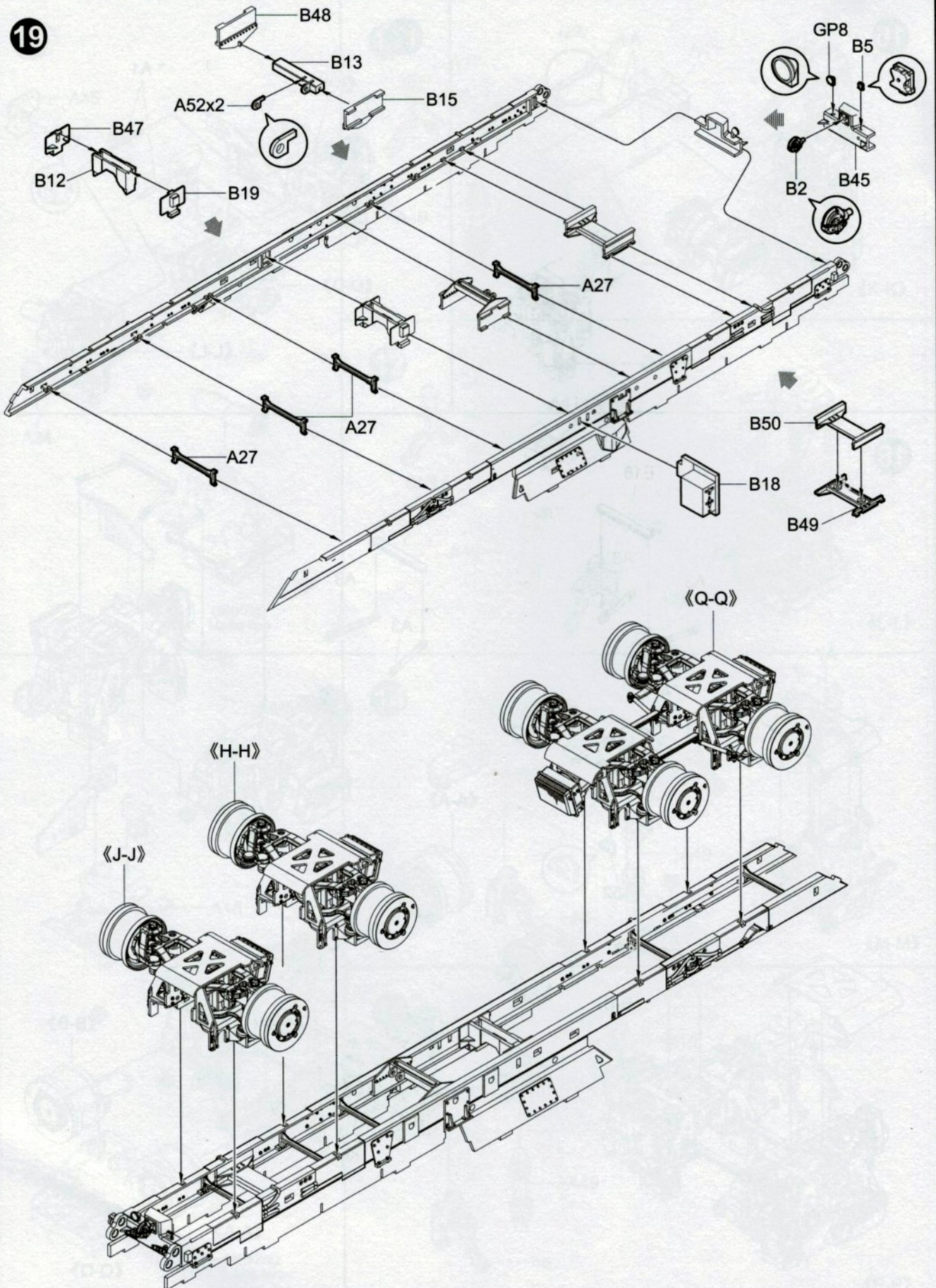
17



18

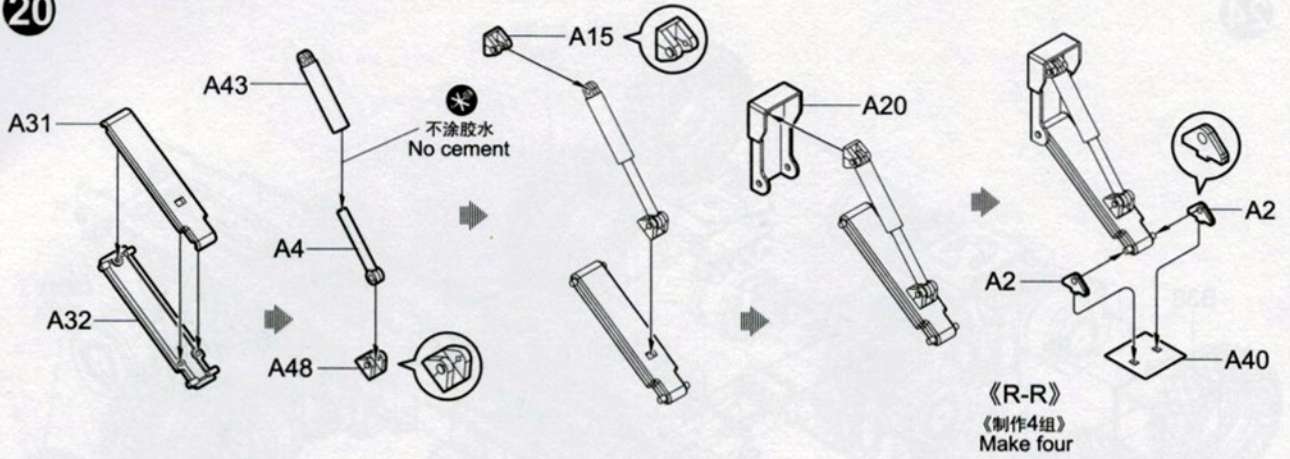


19

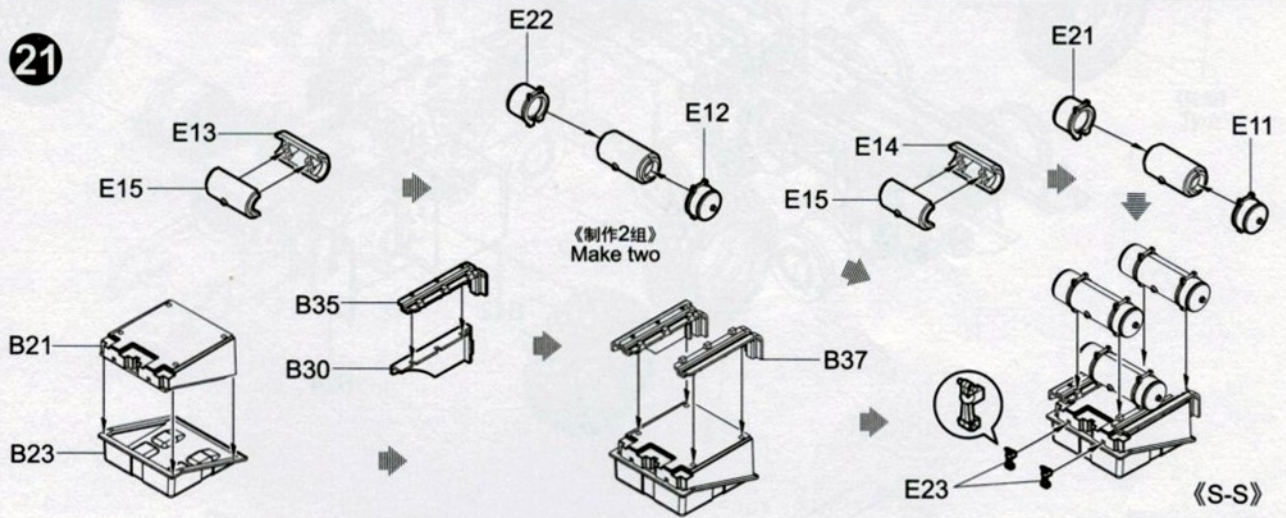




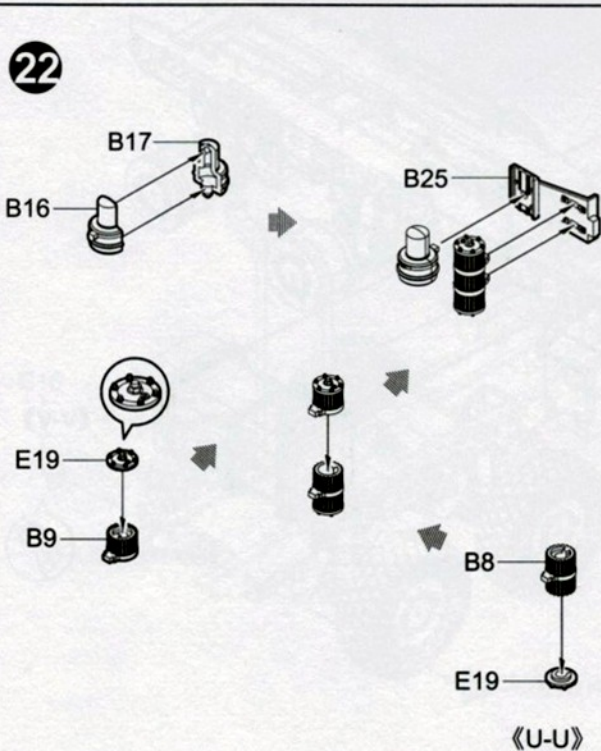
20



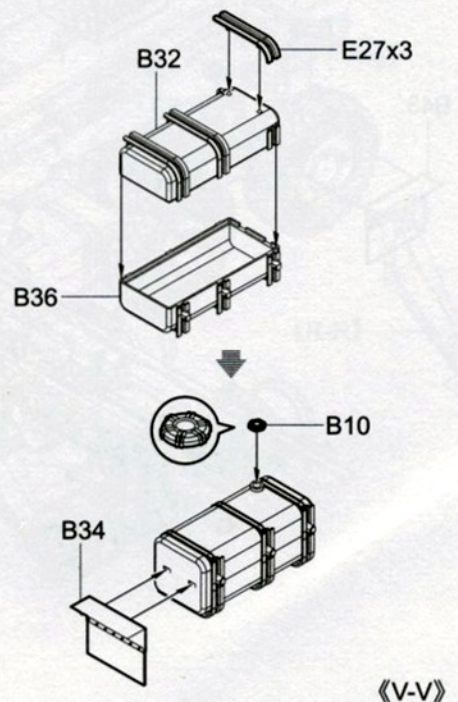
21

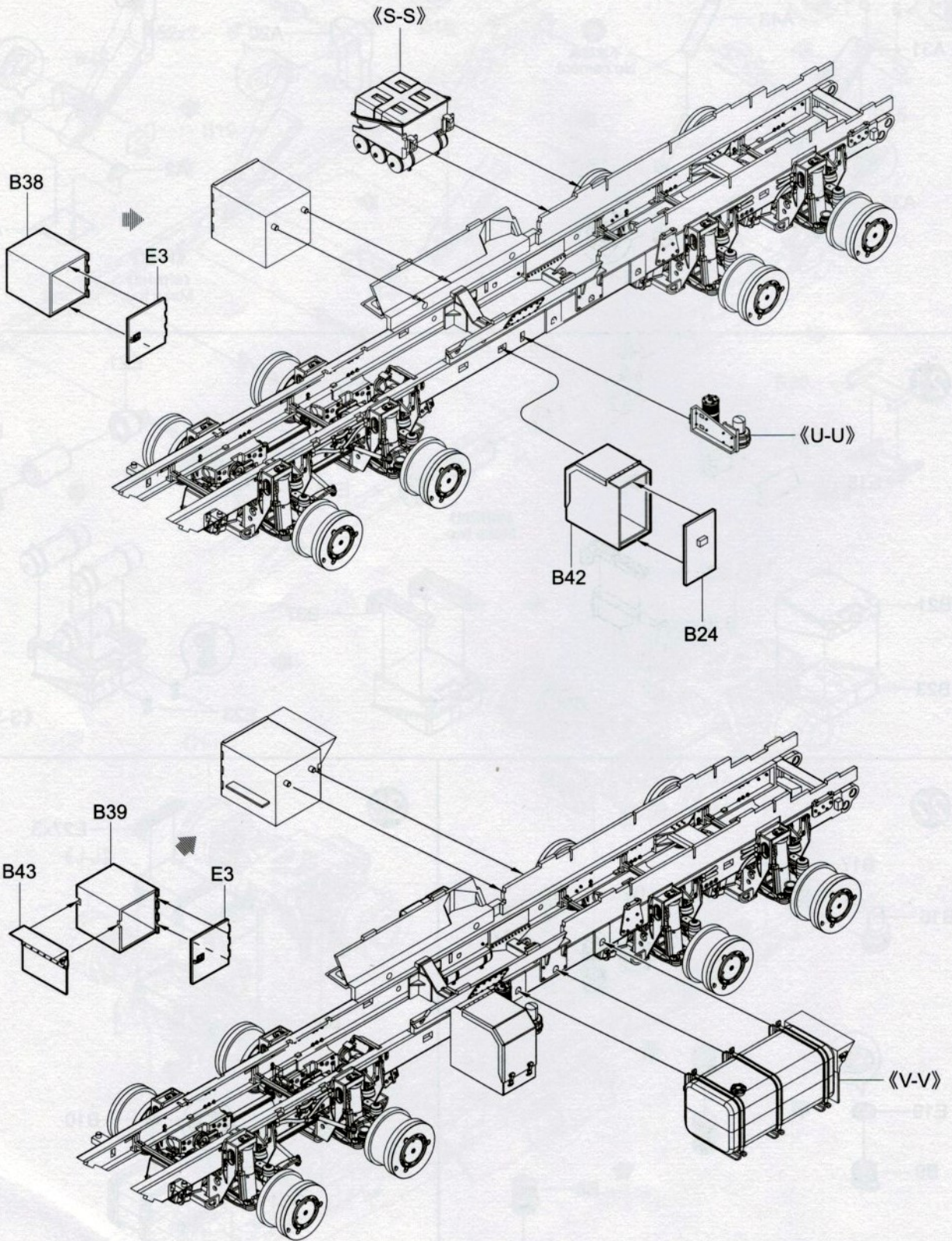


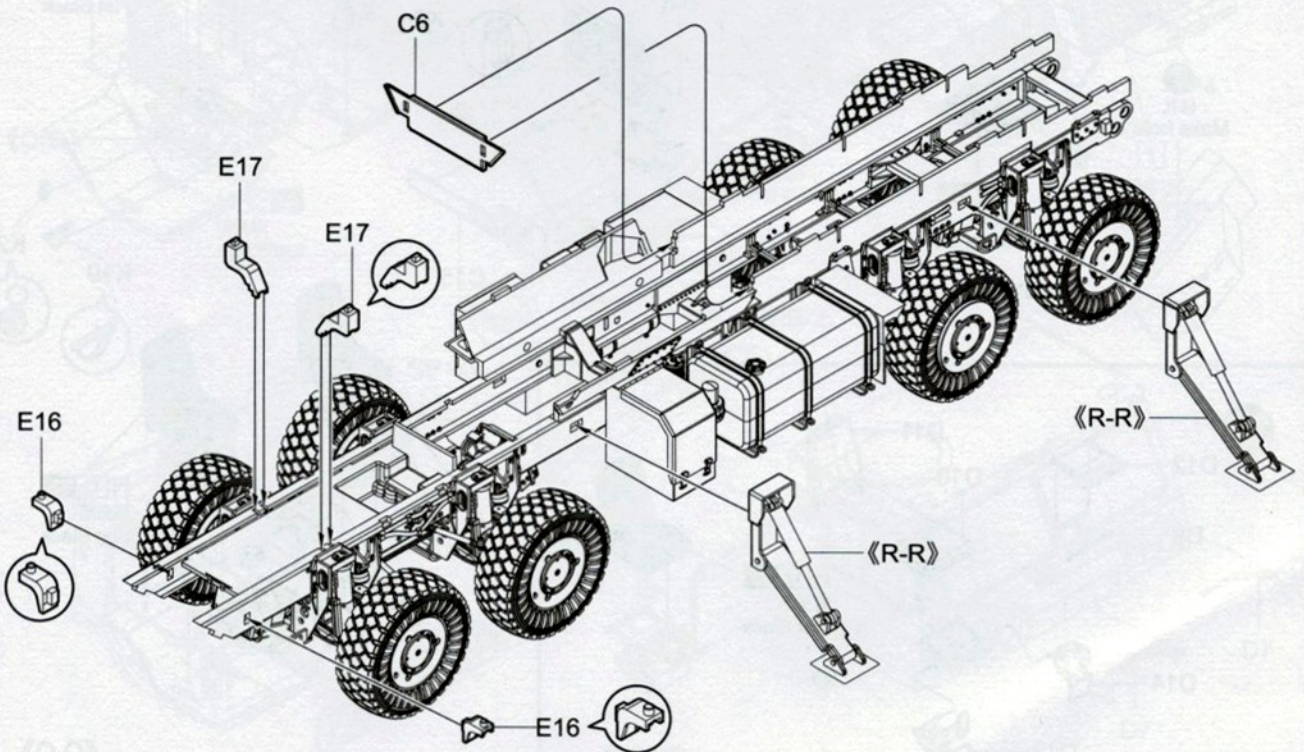
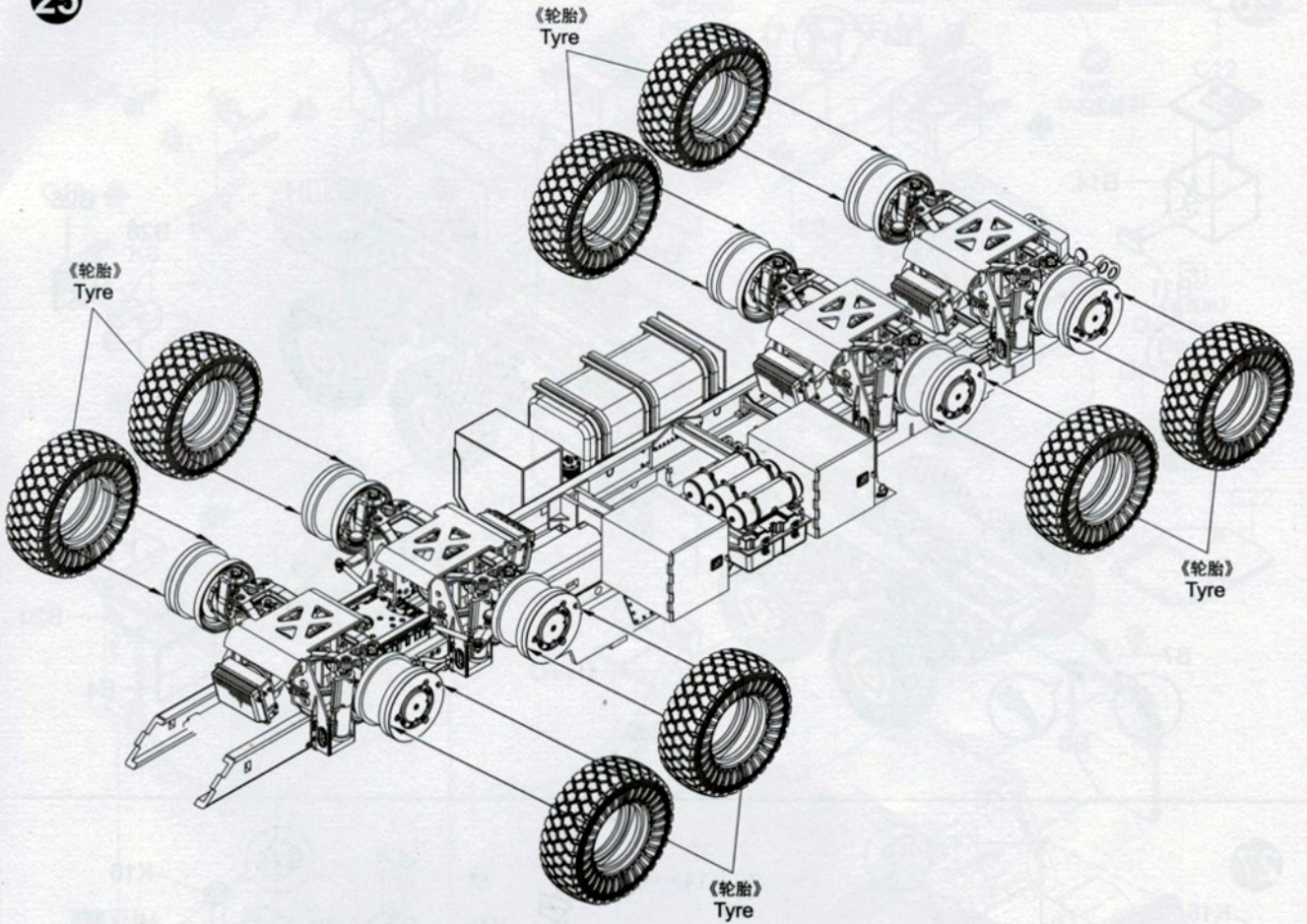
22



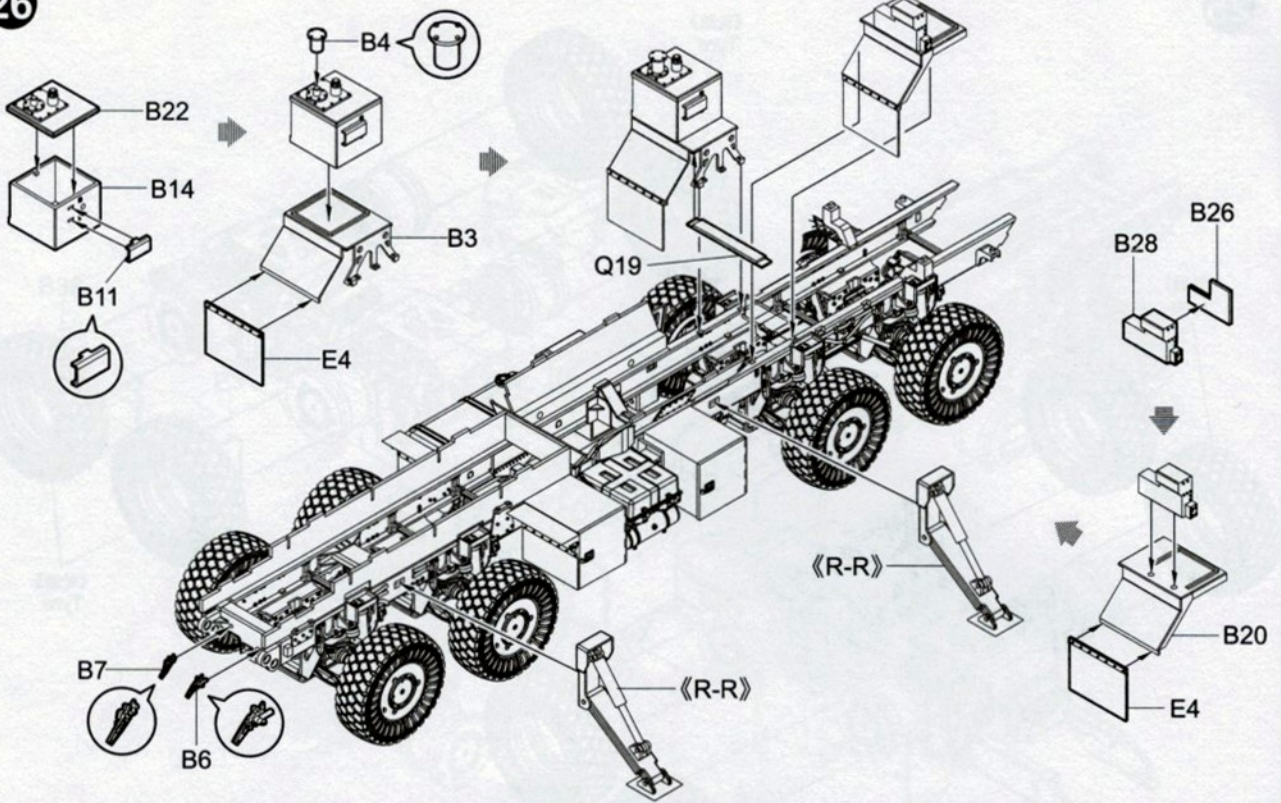
23



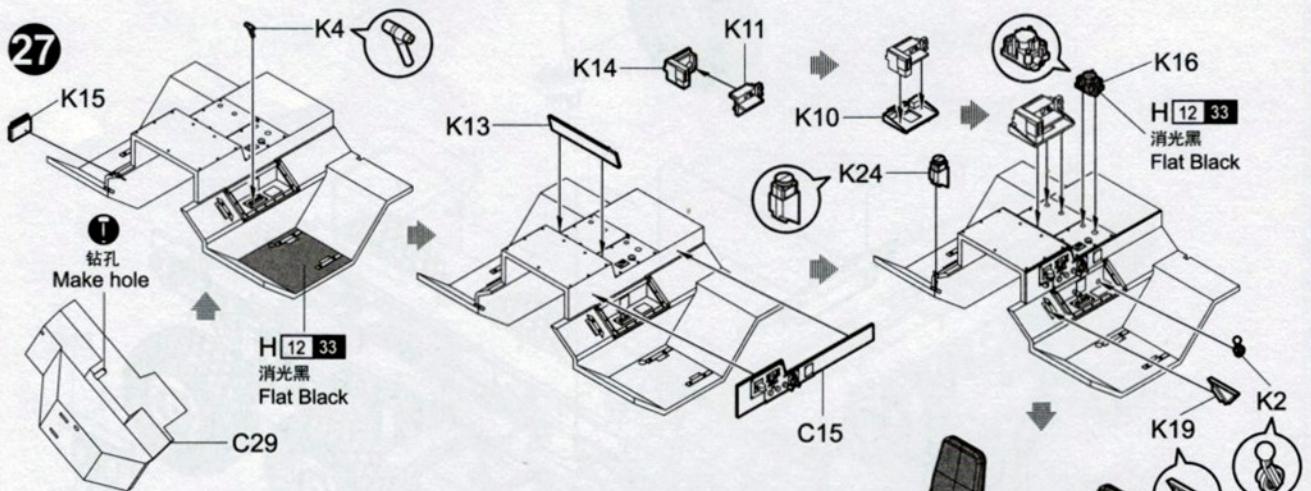




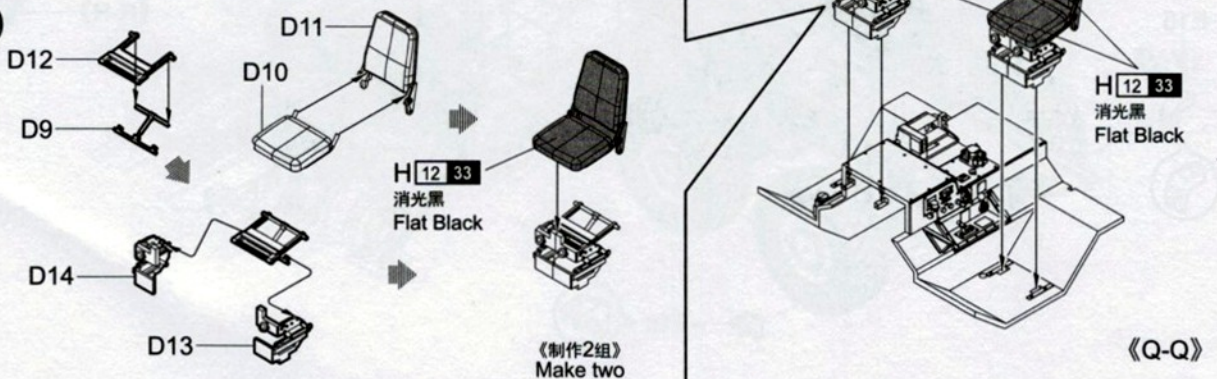
26

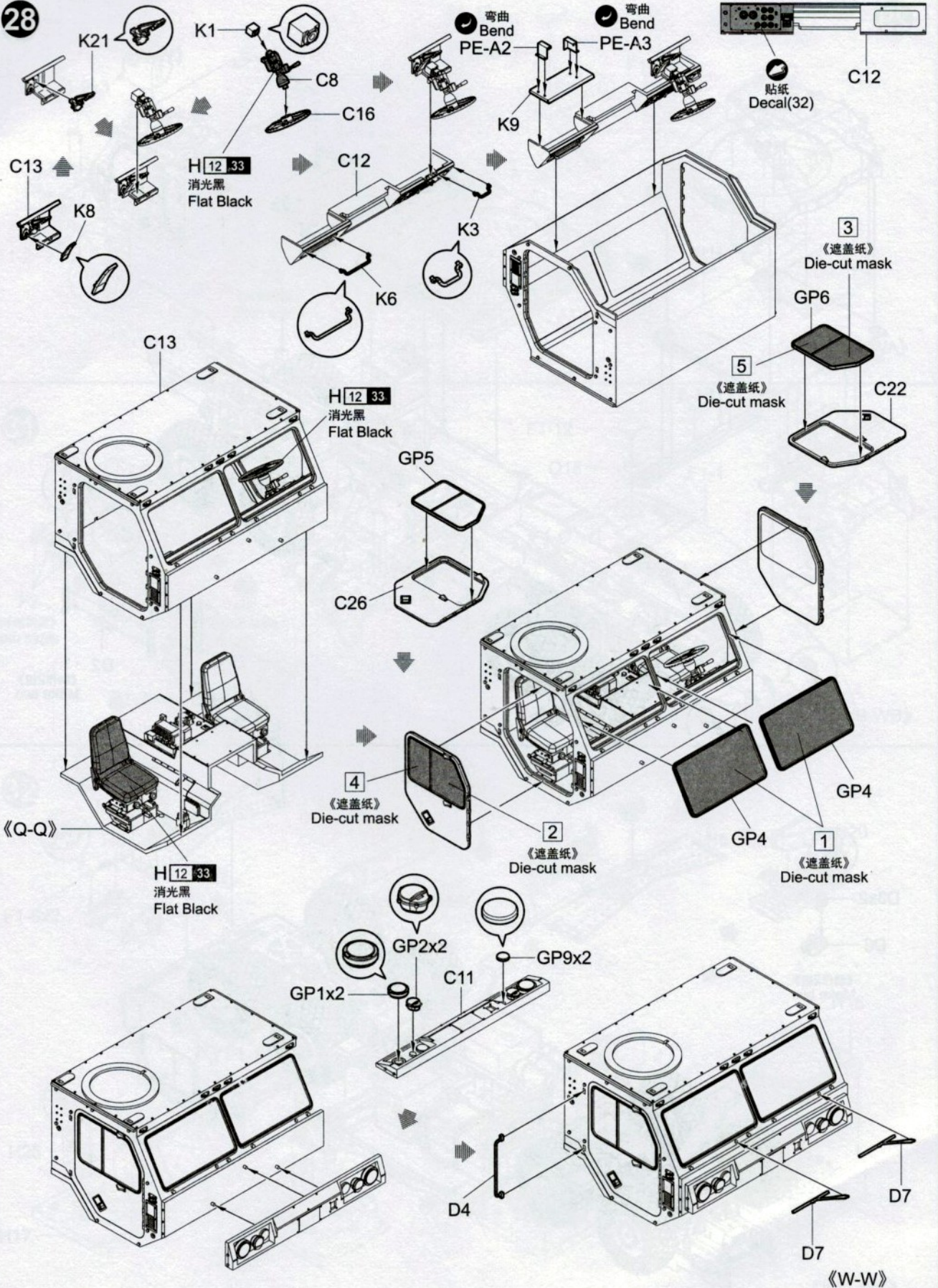


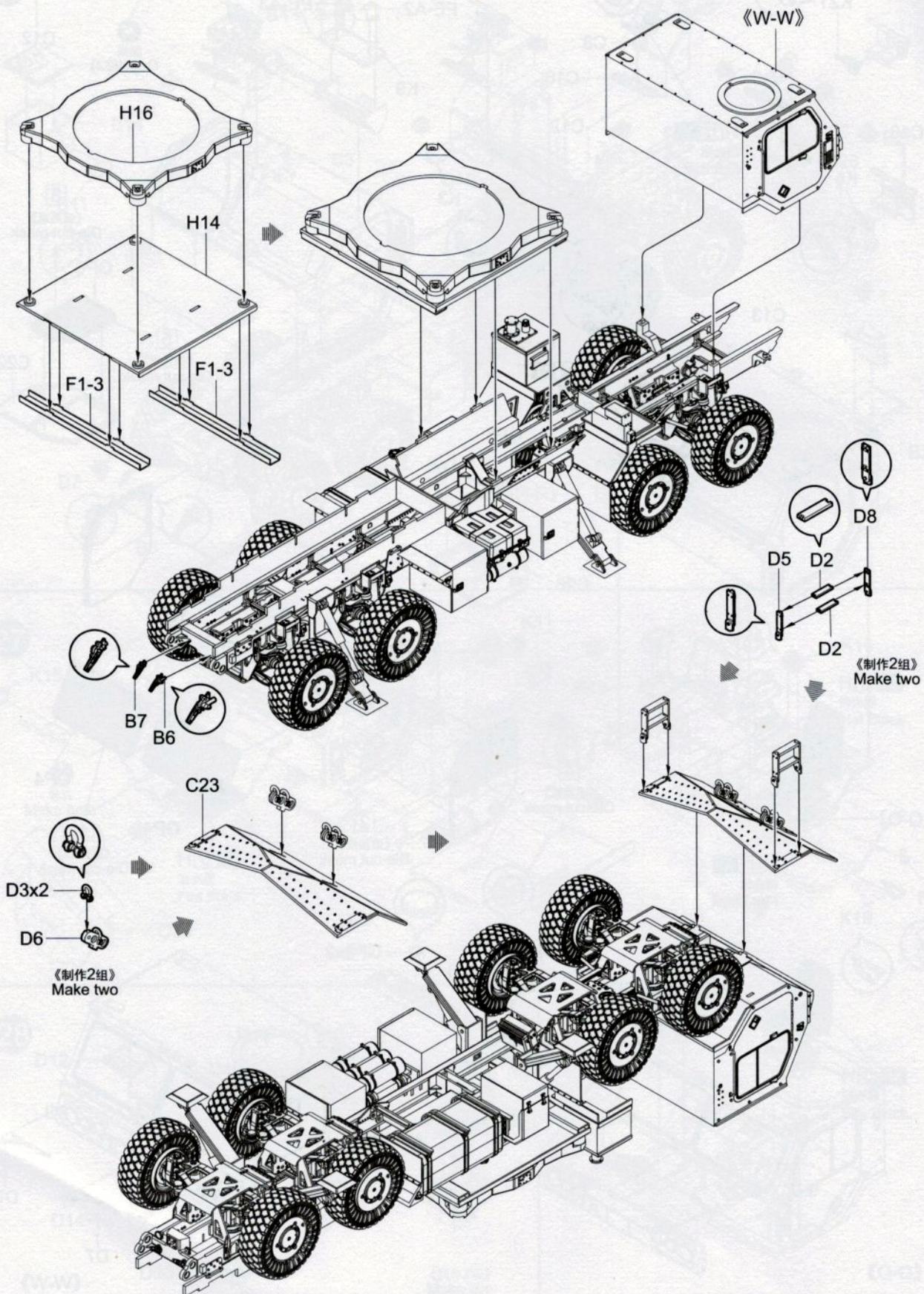
27



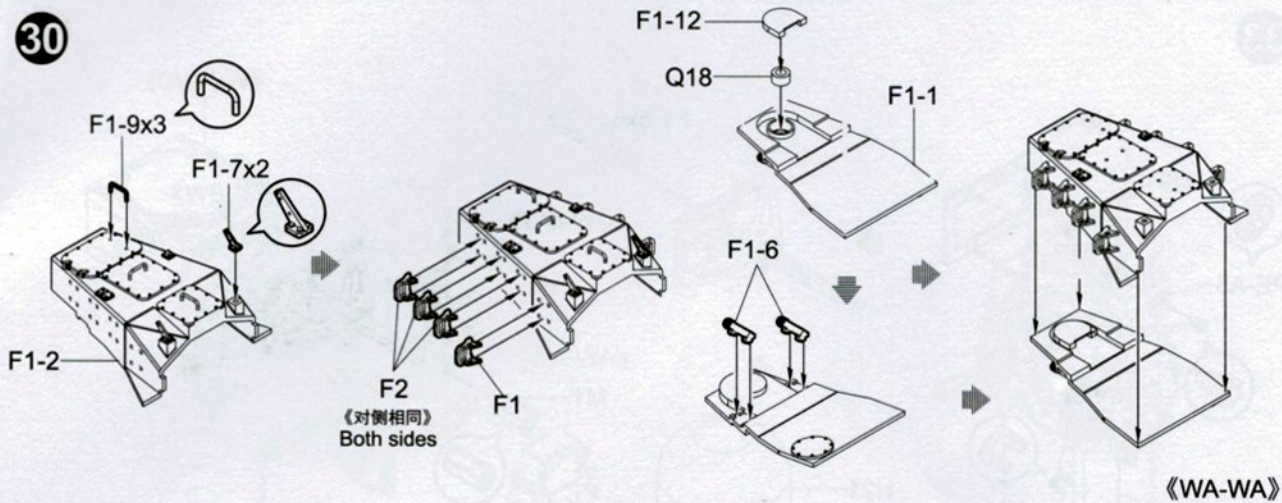
28



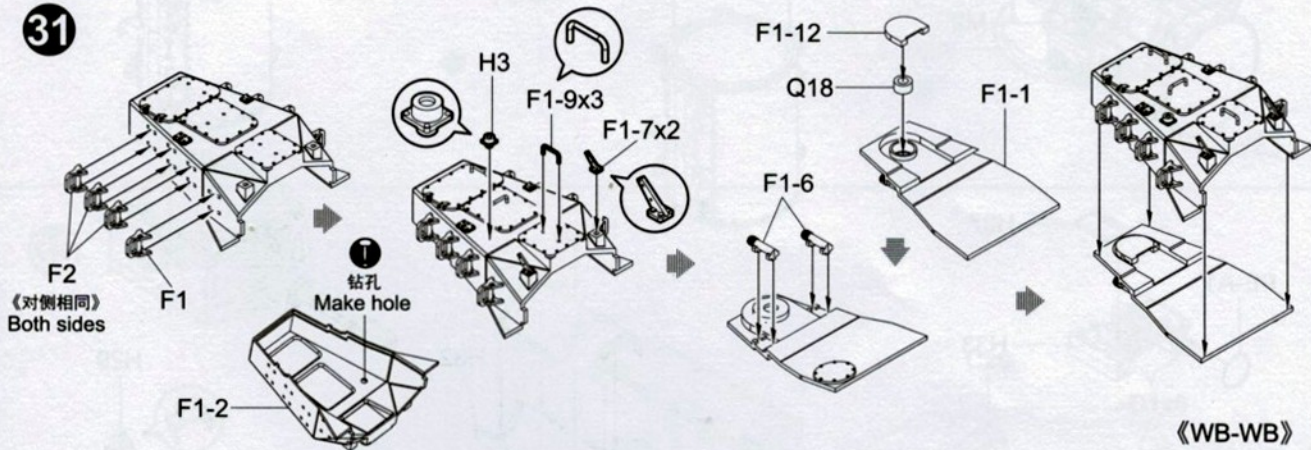




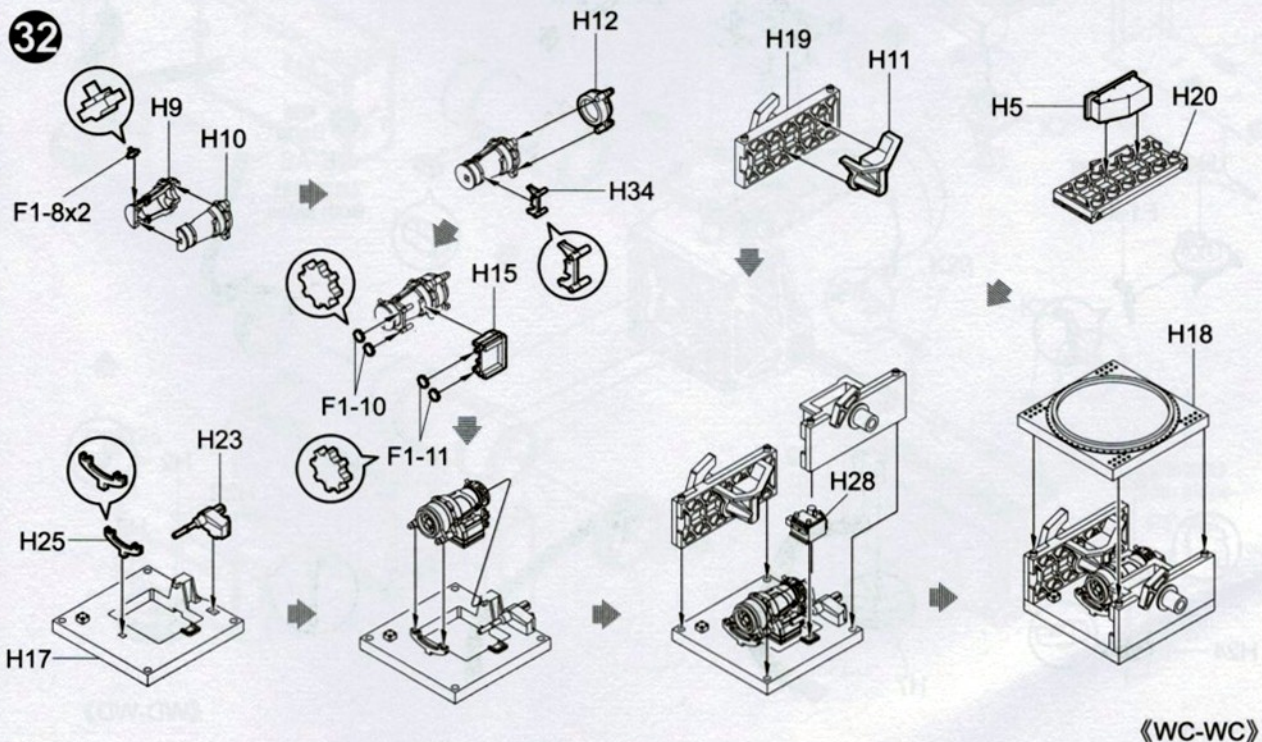
30

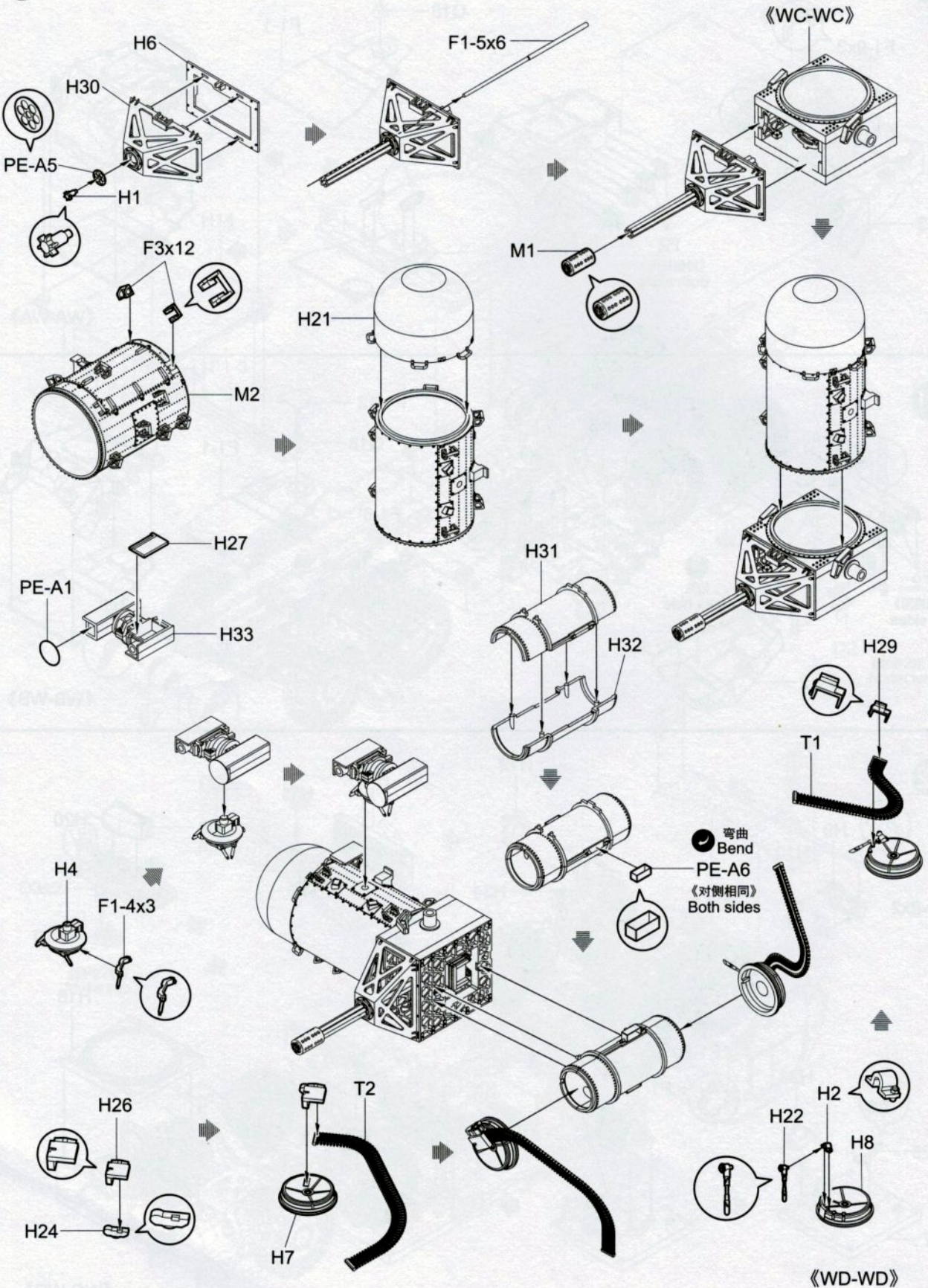


31



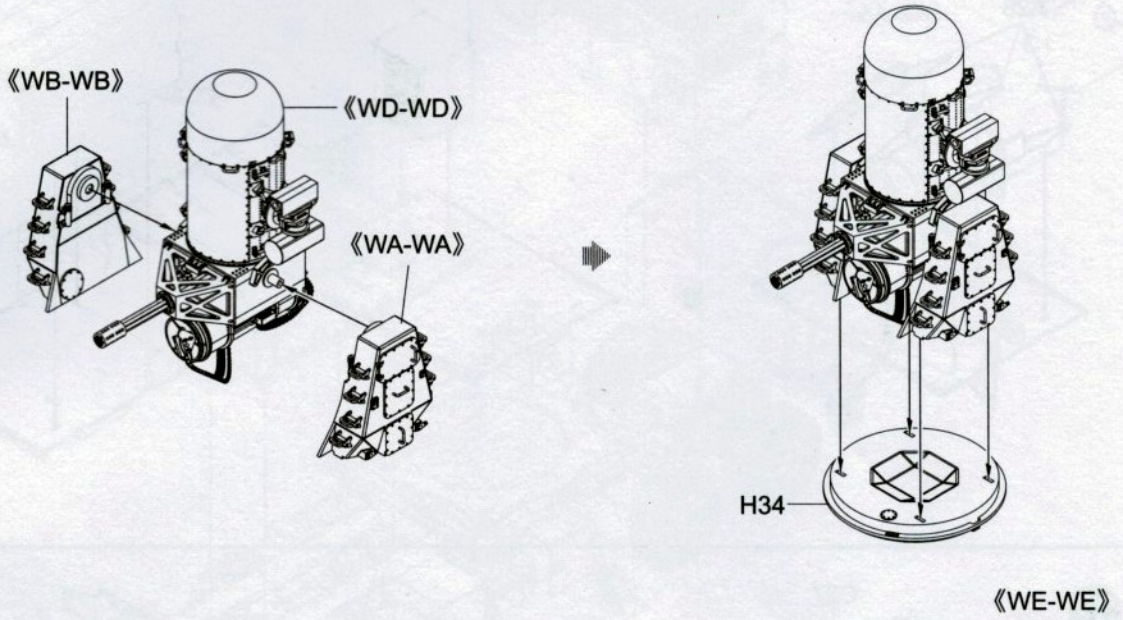
32



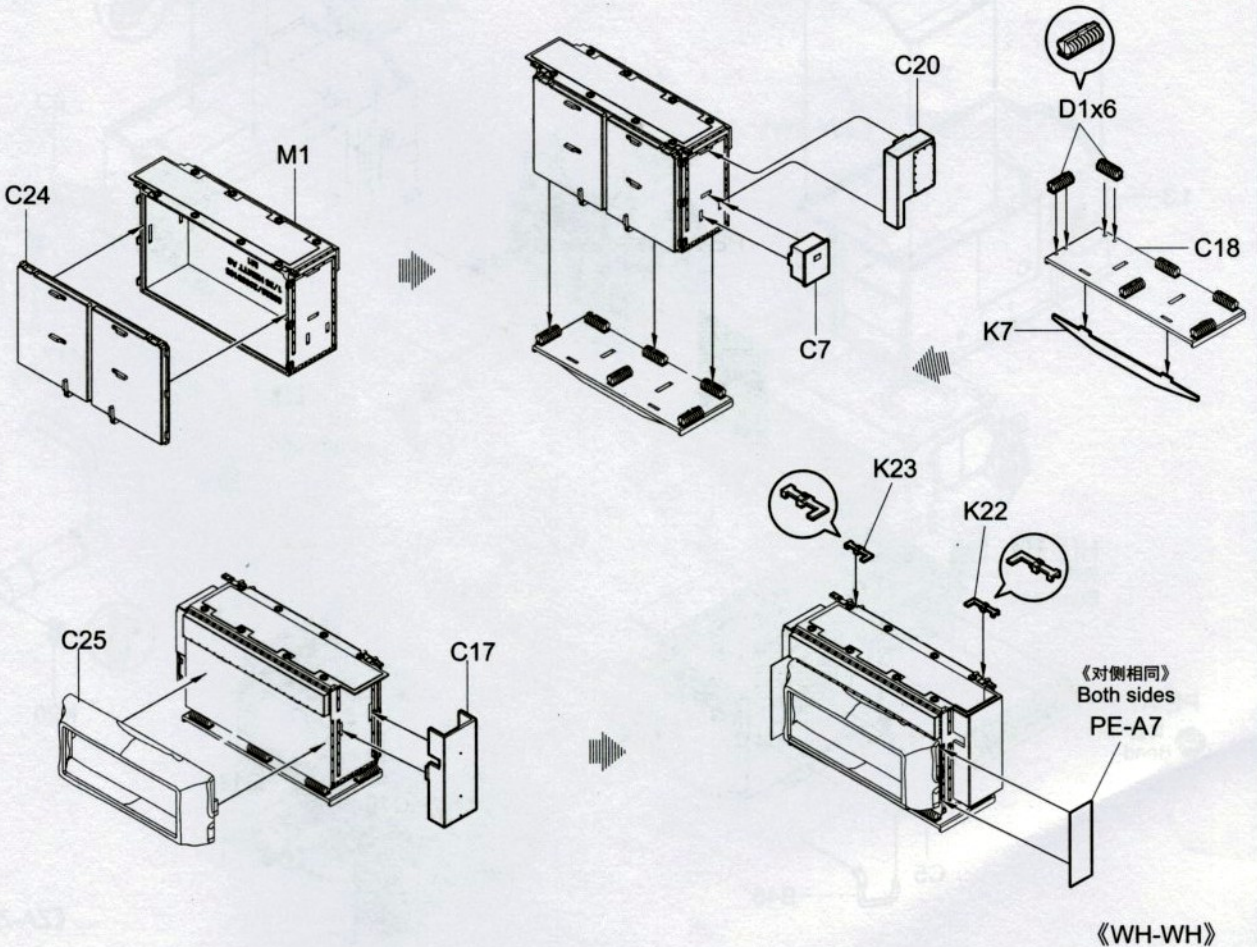




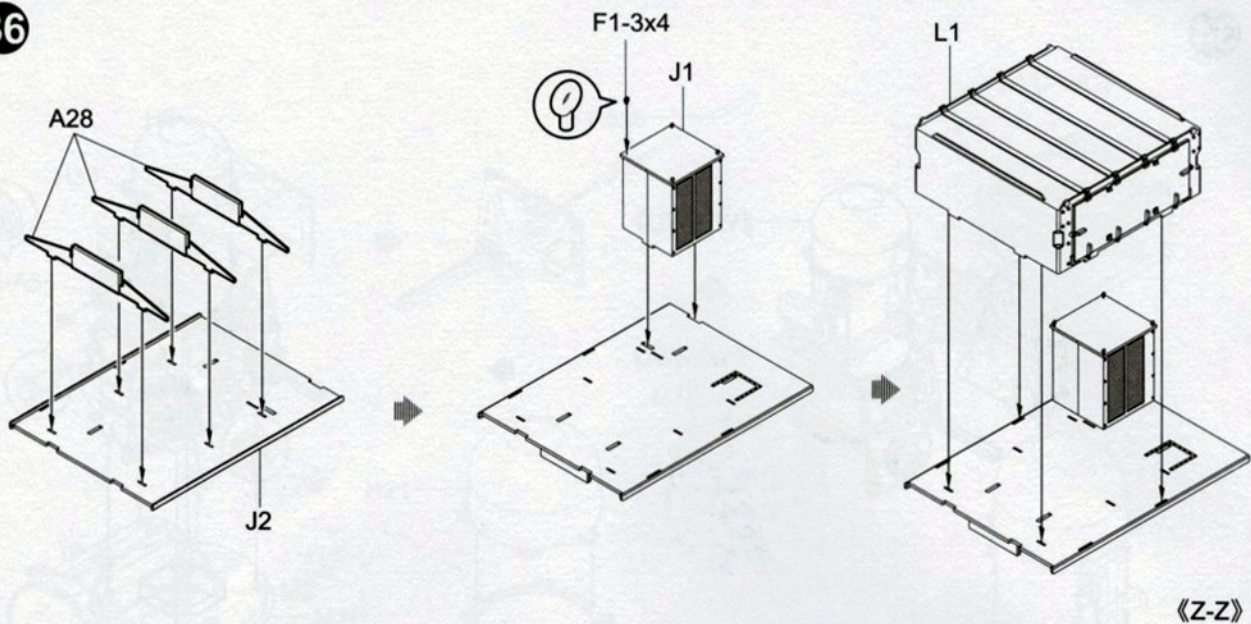
34



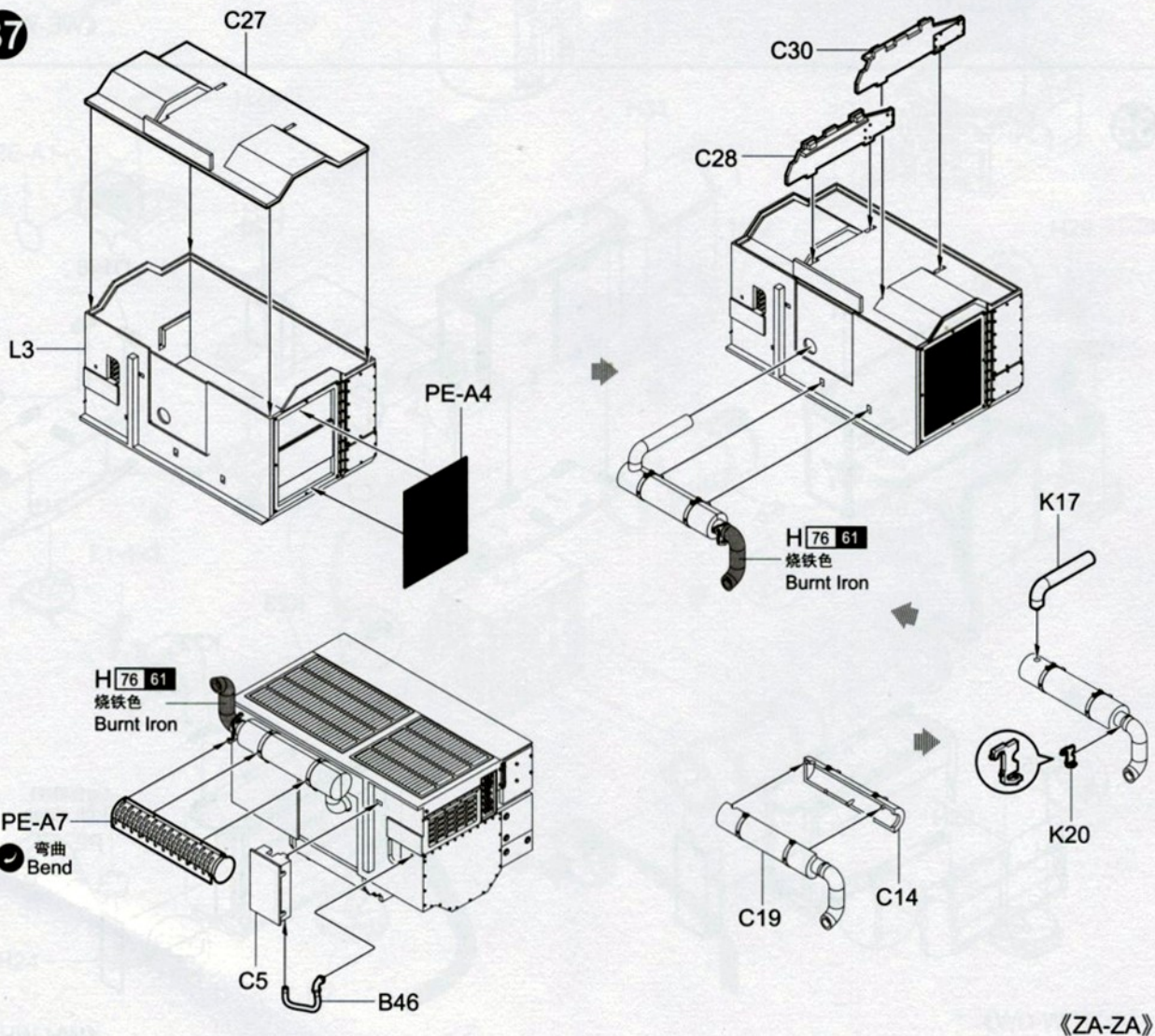
35

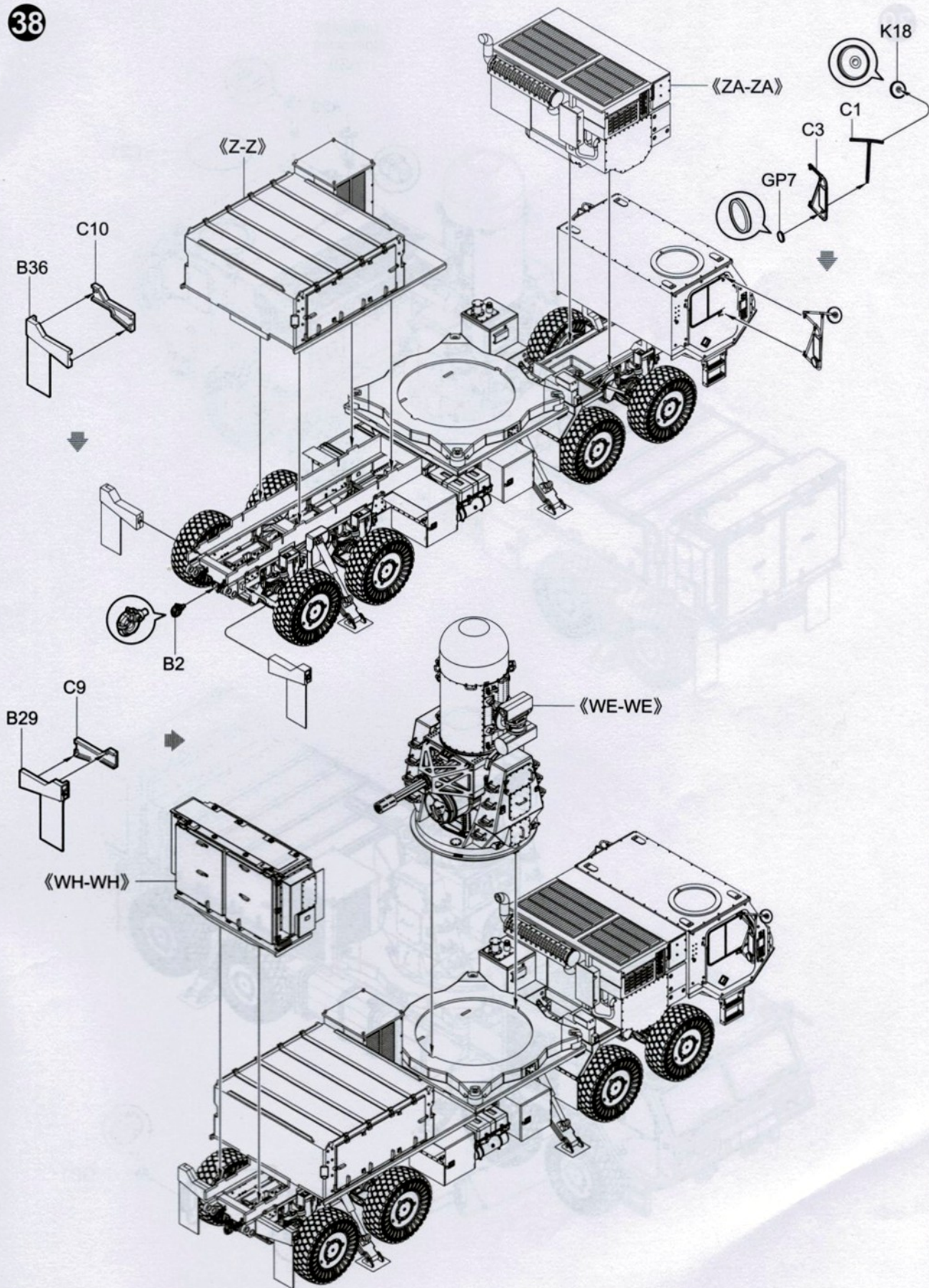


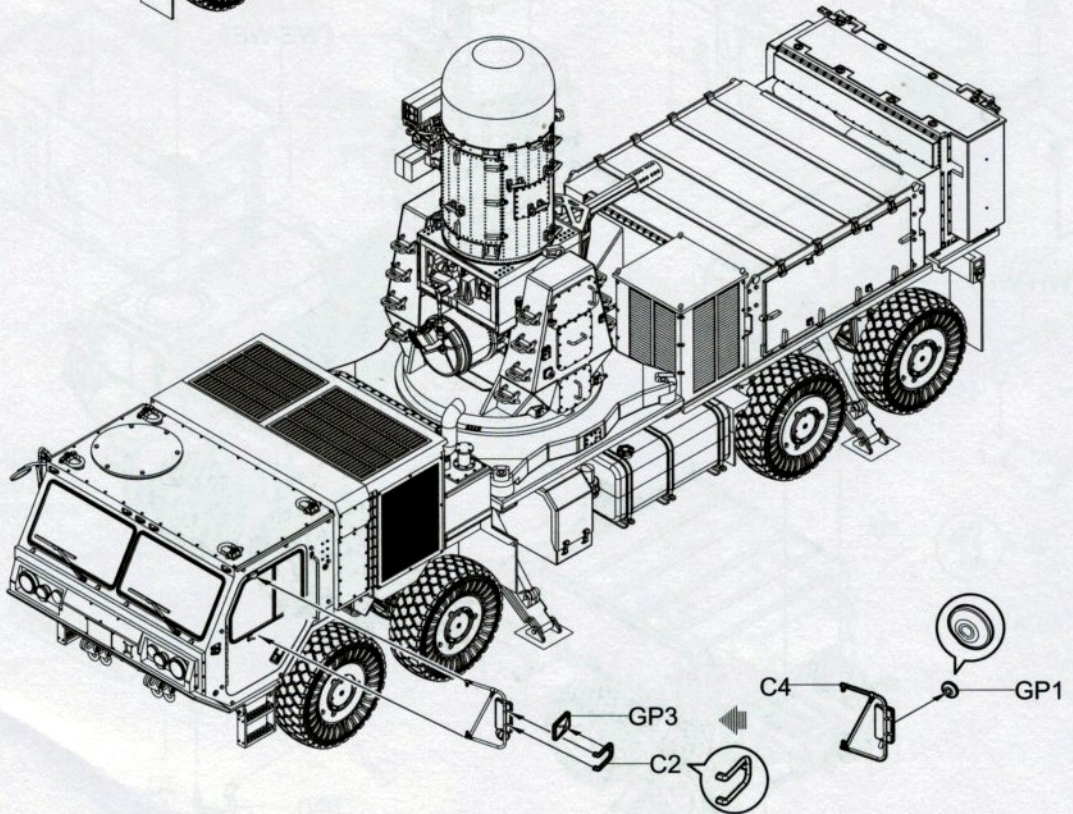
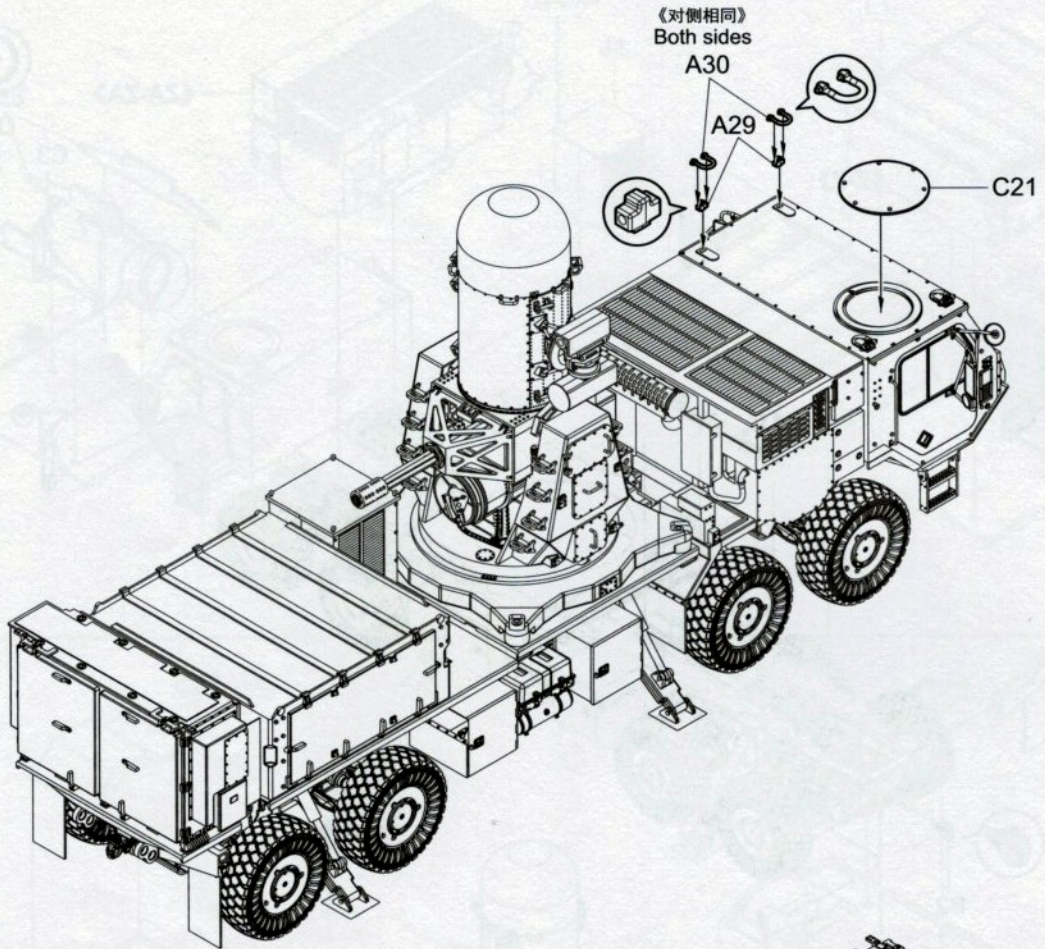
36



37



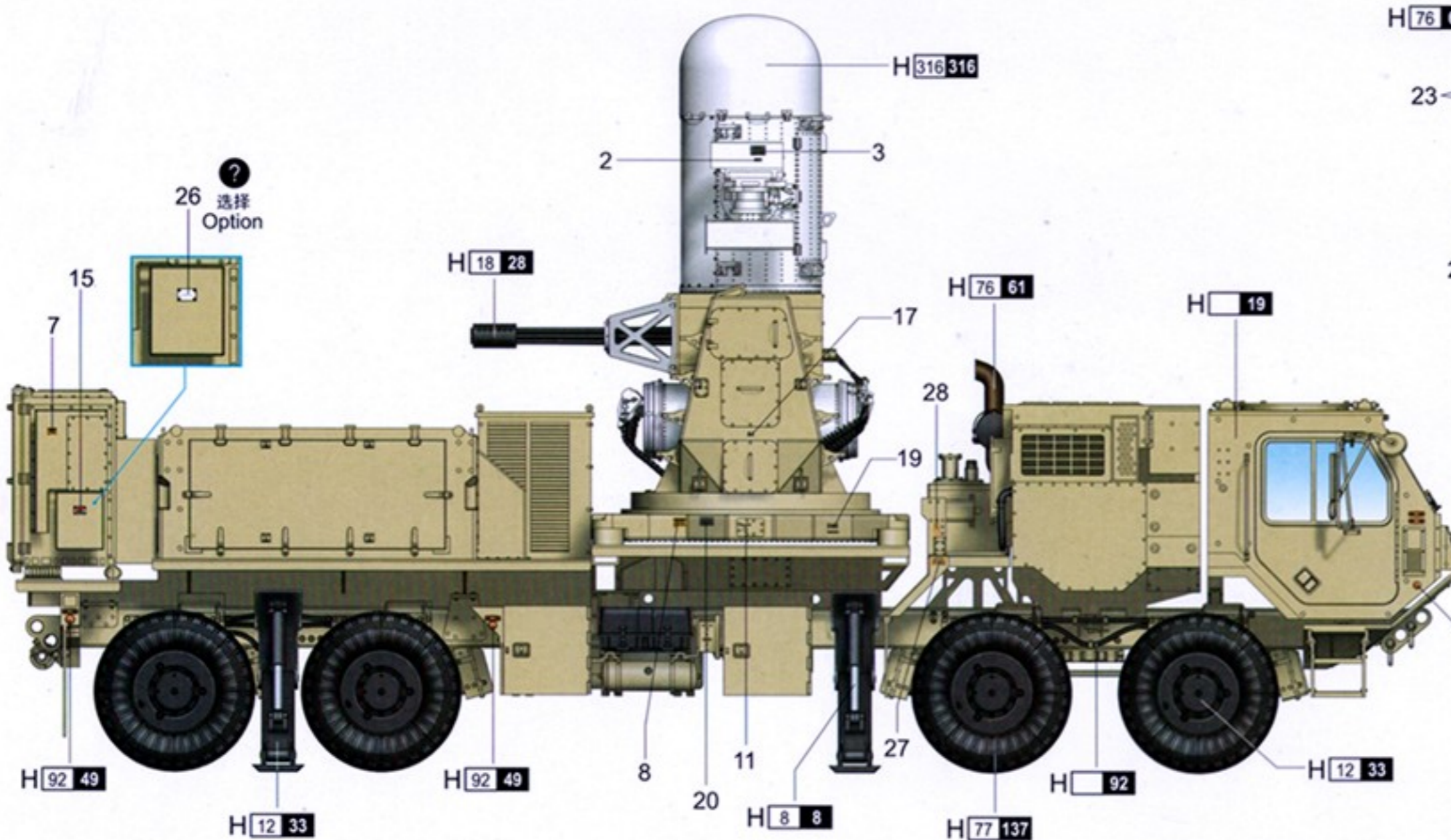
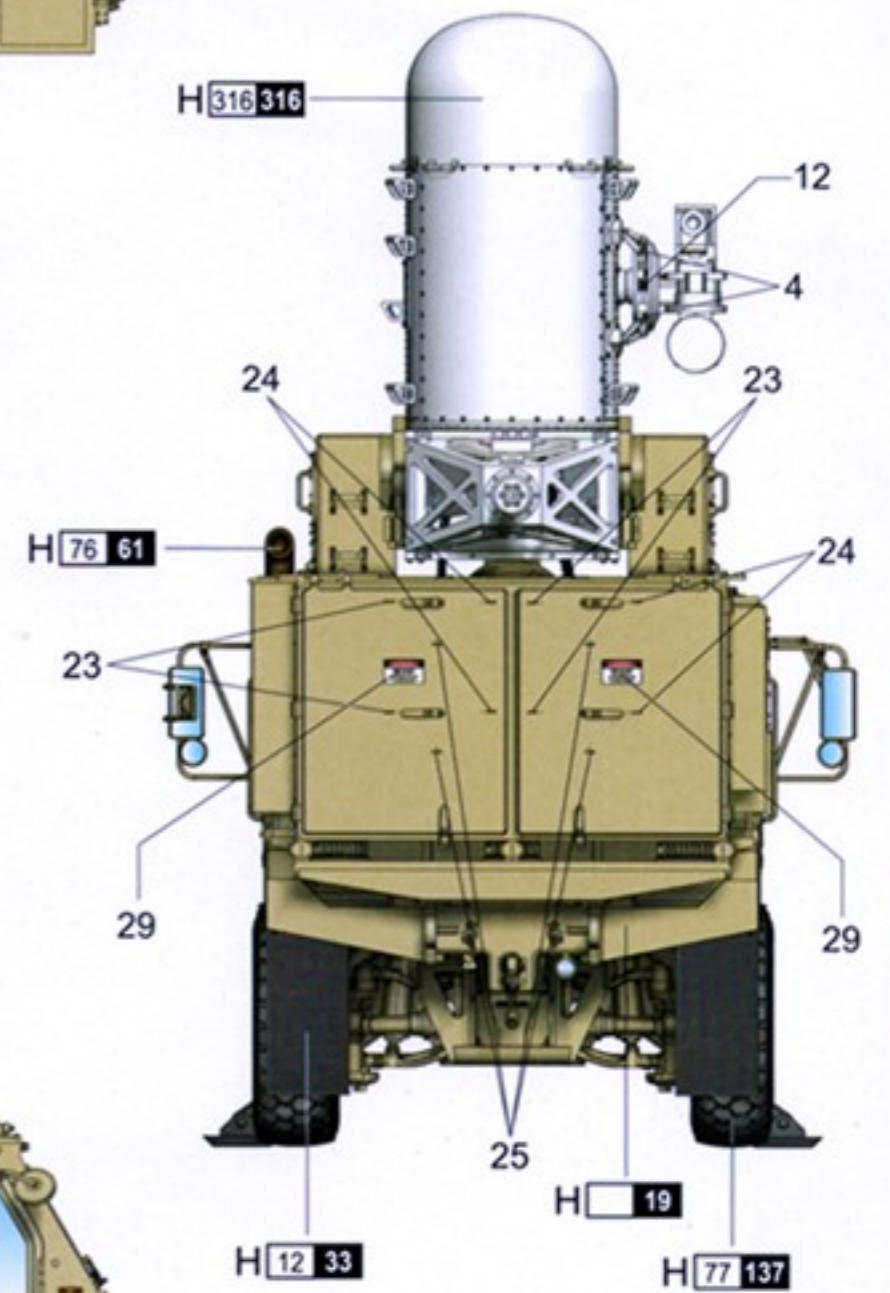
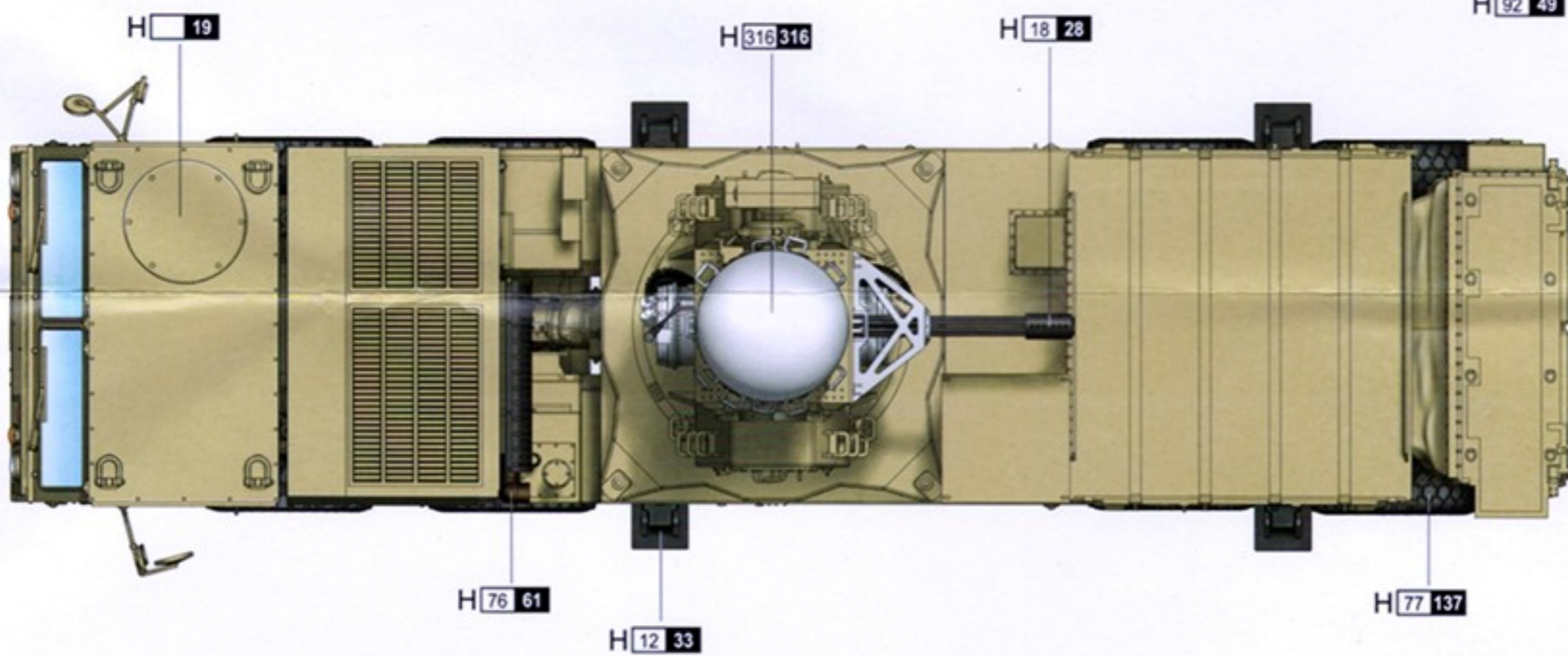
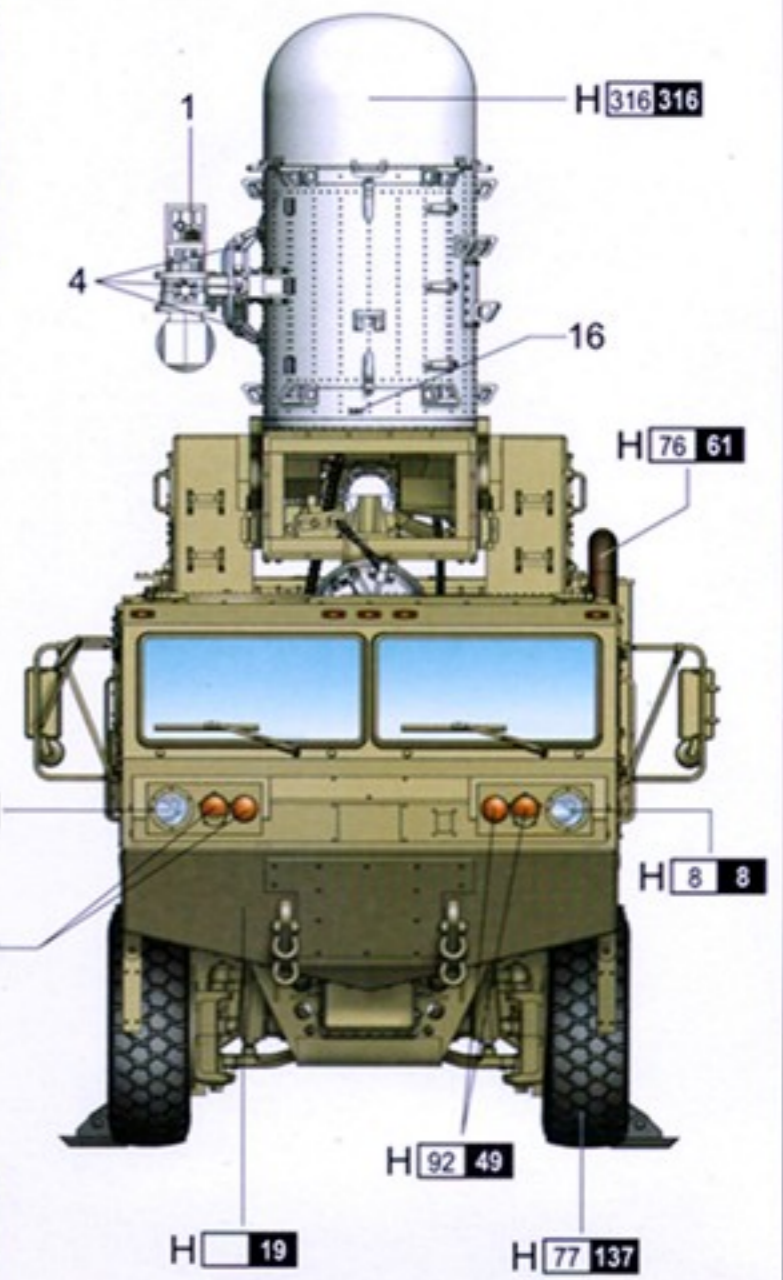
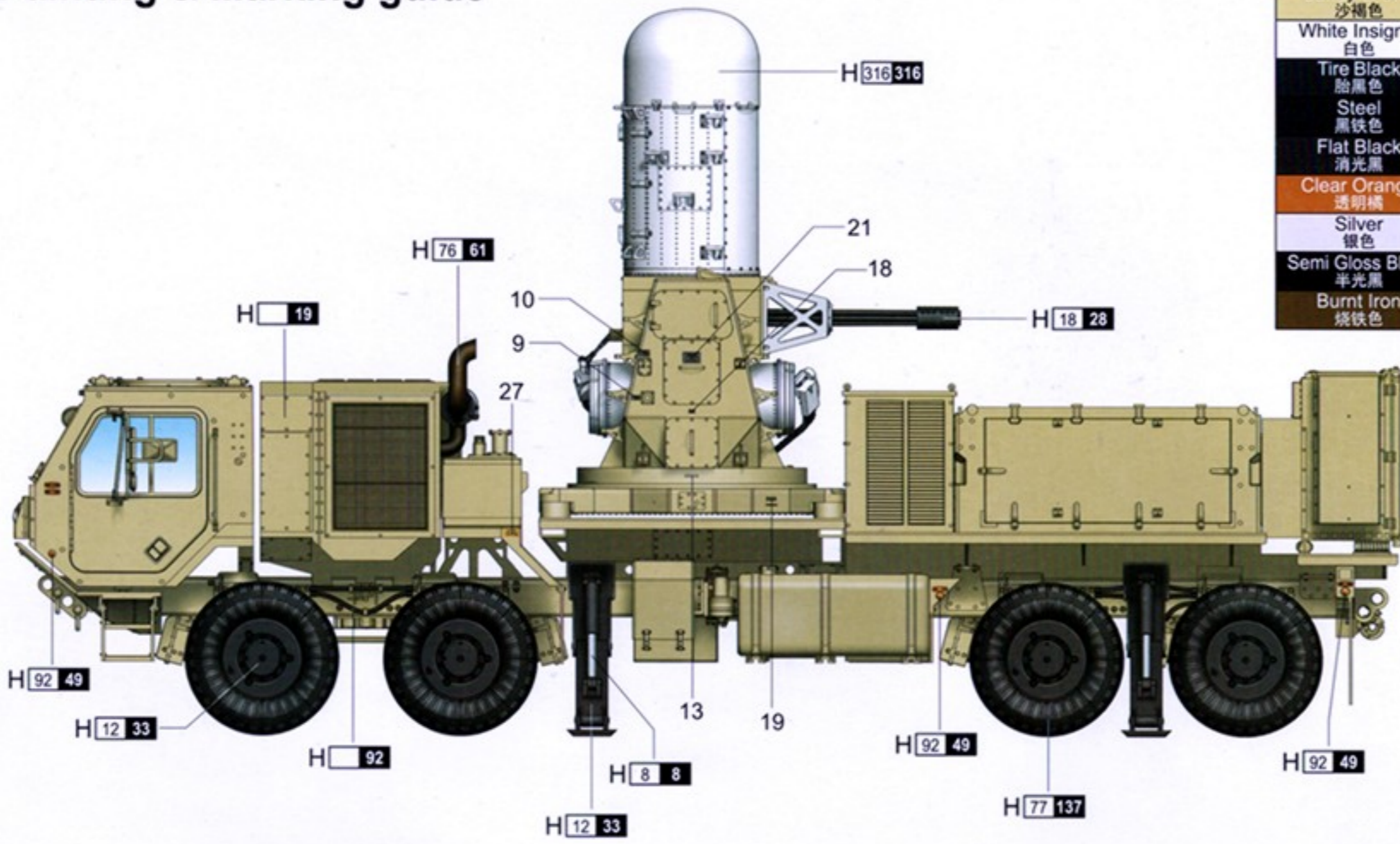




# 涂装同标贴指示 Painting & Marking guide

## PAINT REFERENCE COLOR

Color	Mr.Hobby	Acrycion	Vallejo	Model Master	Tamiya	Humbrol
Sandy Brown 沙褐色	H 19	N	-	-	-	-
White Insignia 白色	H 316 316	N 316	991	1745	X2	22
Tire Black 胎黑色	H 77 137	N 77	-	-	XF85	-
Steel 黑铁色	H 18 28	N 18	864	1402	XF84	-
Flat Black 消光黑	H 12 33	N 12	950	1749	XF1	33
Clear Orange 透明橘	H 92 49	N 92	935	-	X26	-
Silver 银色	H 8 8	N 8	997	1546	X11	11
Semi Gloss Black 半光黑	H 92	N	950	-	X18	-
Burnt Iron 烧铁色	H 76 61	N 76	863	1795	X10	53



H AQUEOUS HOBBY COLOR    Mr. COLOR    N ACRYSION COLOR