

# Patriot Abschussrampe Auf 15t mil gl Br A1

德国KAT-1A1 “爱国者” 导弹发射车

WSM

**READ BEFORE ASSEMBLY:**

- Study and understand these instructions thoroughly before beginning assembly
- When needed, remove photo-etch parts carefully using a modeling knife or photo etch sprue cutter, being careful not to damage or lose small parts.
- Take extra care in handling photo etch parts in order to avoid injury
- Apply instant cement sparingly to photo etch parts where instructed
- Tools recommended(not included in kit):Plastic and instant cements, sprue cutters,long nose pliers,modeling knife, small files, tweezers, pin vise & scissors. Soft cloth and sandpaper will also assist in construction
- Glue and paint are not included in the kit. Use plastic cement and hobby paints only. Color guide for purchasing paint is included in the kit.

**装配之前仔细阅读**

- 小心用模型锉刀锉平所有零件表面的注射浇口。
- 小心用刀片切下蚀刻片零件，不要遗失小零件。
- 用强力快干胶水粘合蚀刻片零件和金属轴。过量快干胶水使用可能导致可动零件会粘住，小心涂胶。
- 取蚀刻片时应特别注意安全，防止利边划伤手指。
- 某些零件表面需贴水上贴纸，请选择在装配的同时进行。
- 推荐模型工具(自备)：胶水，水口剪刀，长咀钳，刀片，锉刀，镊子，钳，钻，剪刀，瞬间快干胶。
- 软布同砂纸同时也是所需工具。
- 请使用塑料胶水和油漆，模型内不含。



使用强力胶  
Cyanoacrylate glue



配重  
Weight



钻孔  
Make hole



切除  
Cut / Remove



贴纸  
Decal



锉平  
File / Sand



选择  
Option



不涂胶水  
No cement



弯曲  
Bend



先装  
Install it first



填补  
Repair

**水贴纸的使用:**

- 1.从水贴上剪下印花;
- 2.将印花放入温水中浸10秒, 然后放在干净布上。
- 3.拿着印花纸板将印花移到模型上;
- 4.手指蘸水将印花移到适当的位置;
- 5.用软布轻压印花直至水干, 气泡消失

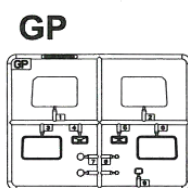
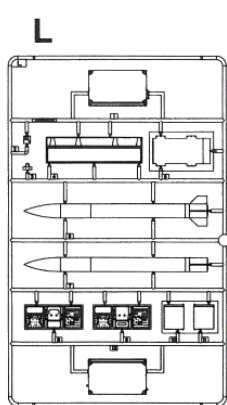
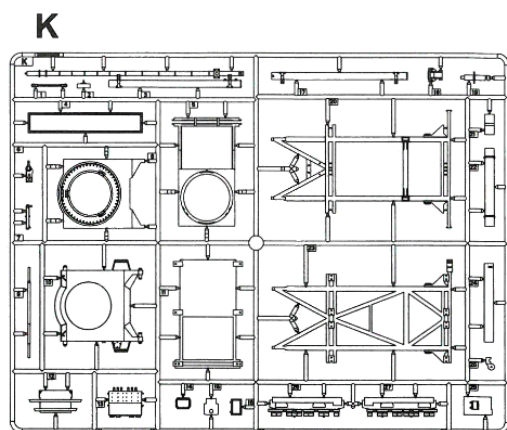
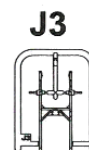
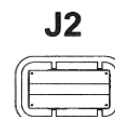
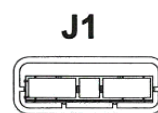
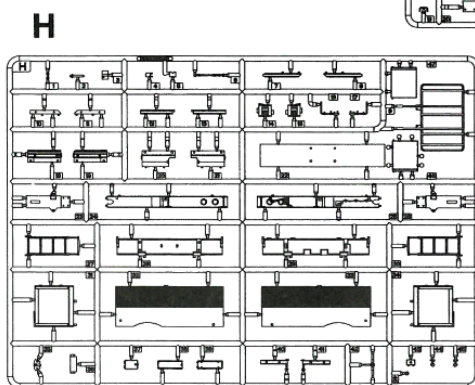
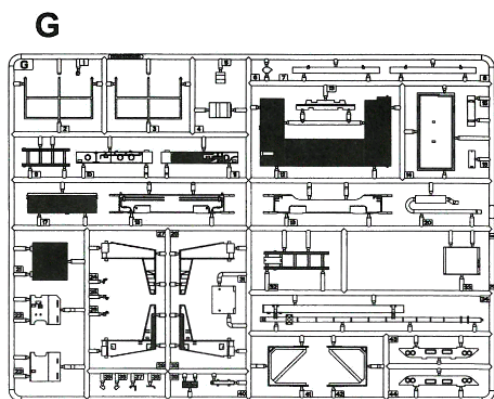
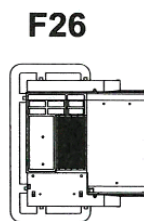
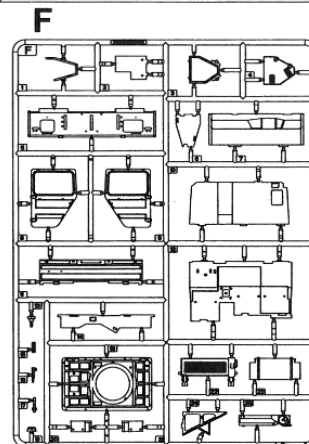
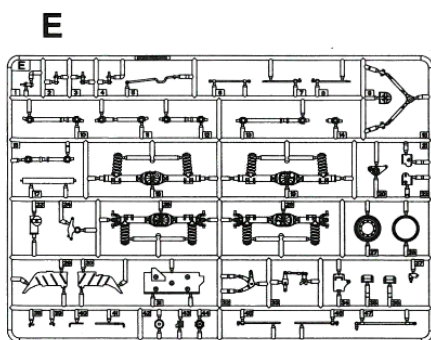
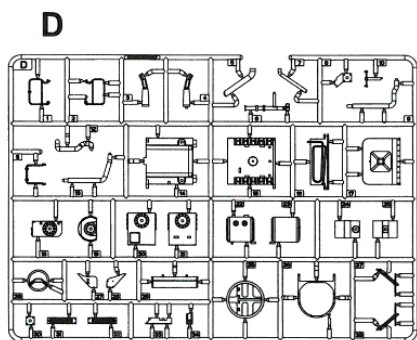
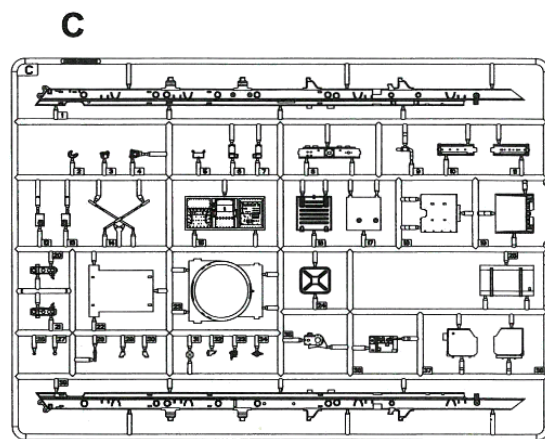
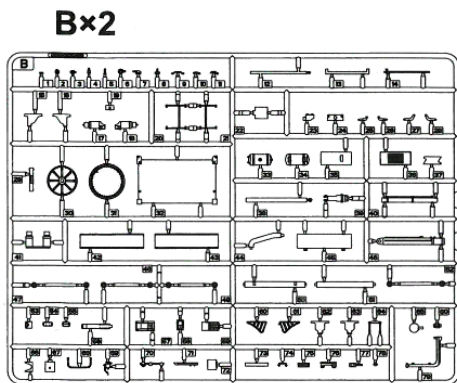
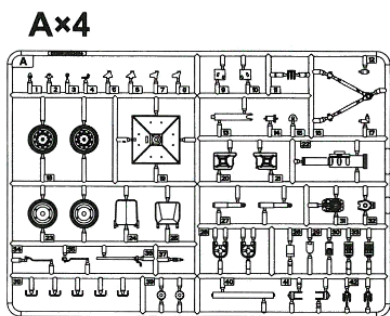
**DECAL APPLICATION**

- 1.Cut decals from sheet as needed
- 2.Dip the decal in warm water for about 10 seconds and then place on soft clean cloth.
- 3.Hold the decal backing sheet edge and gently slide the decal onto the model in its proper position.

- 4.While still wet,decal can be adjusted for better fit on model by dampening it gently with your finger.
- 5.When placed in the proper position,gently press decal down with a soft cloth until excess water and air bubbles are gone.
- 6.Allow decal to dry completely before handling model

\* 说明书中含有重要信息, 应保留。 Please Keep instruction since it contains important information.

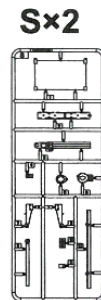
# 部品图 Parts



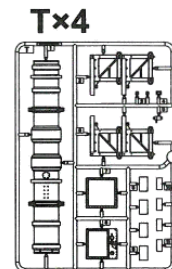
《遮盖纸》  
Die-cut mask



01088 1/25 Puffer Abschleppwagen Auf 15t mit 6x A1



《软管》  
Vinyl tubing



**T12x4**



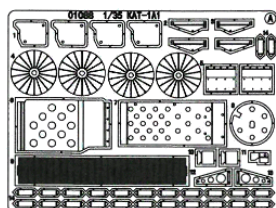
轮胎x9  
Tyre



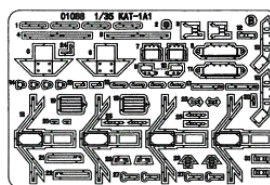
小轮胎x2  
Small tyre



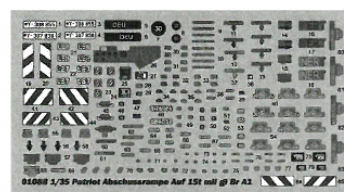
《蚀刻片-A》  
PE-A



《蚀刻片-B》  
PE-B



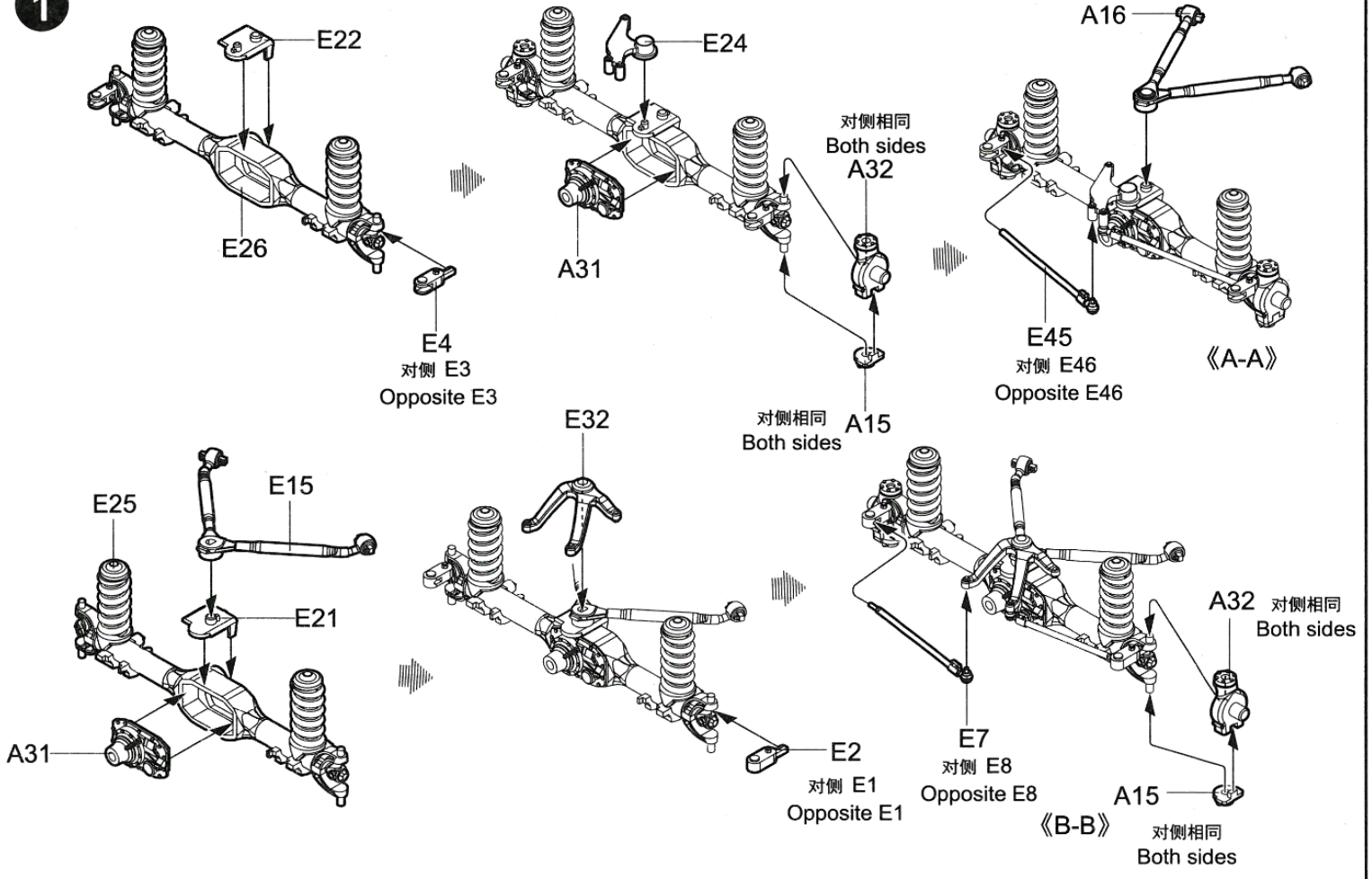
《水贴》  
Decal



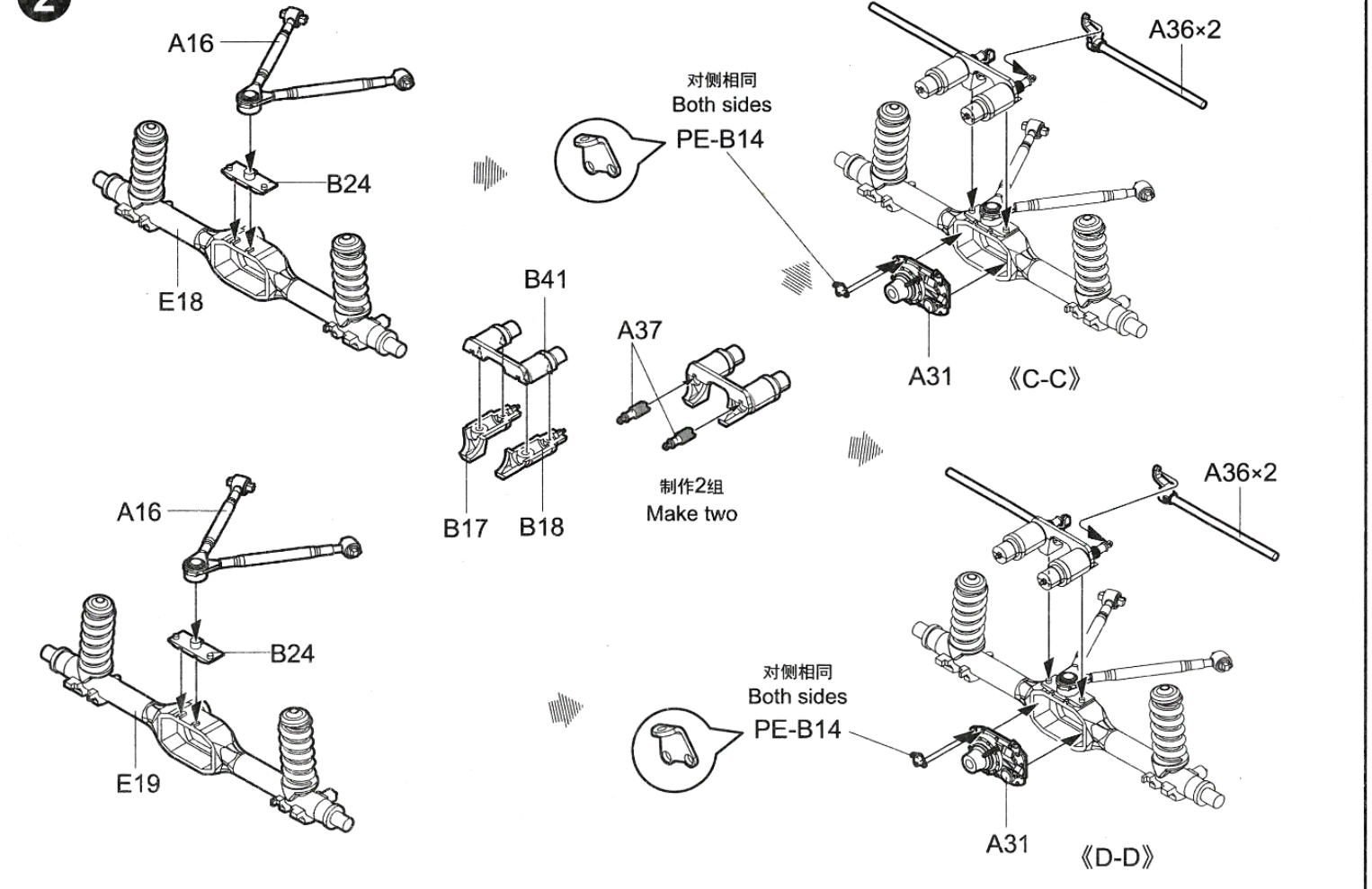
不用部件: K3,K4,K5,K7,K11,K21,KC2,K24,K26,K27,L3,L4,L5,S1,S2,S8,S10,S12,S13.

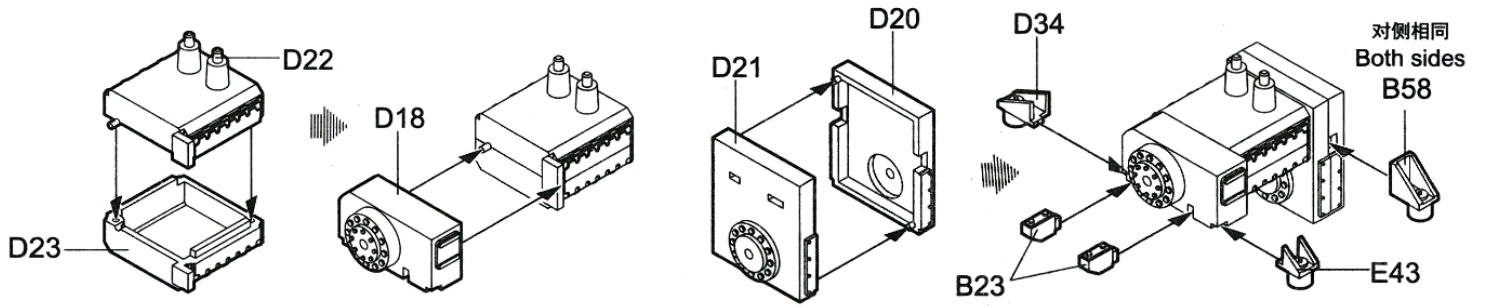
No parts: K3,K4,K5,K7,K11,K21,K22,K24,K26,K27,L3,L4,L5,S1,S2,S8,S10,S12,S13.

1

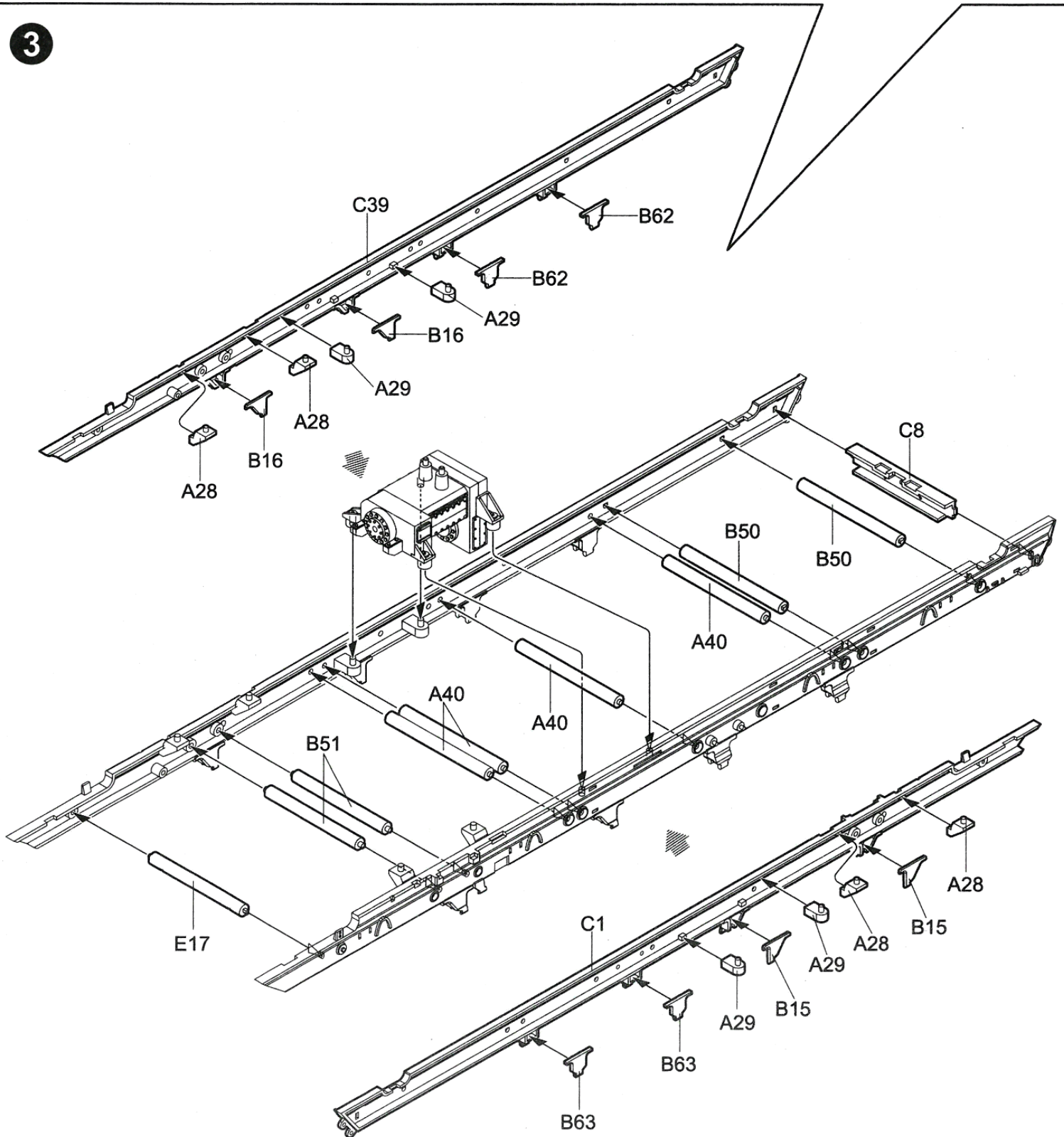


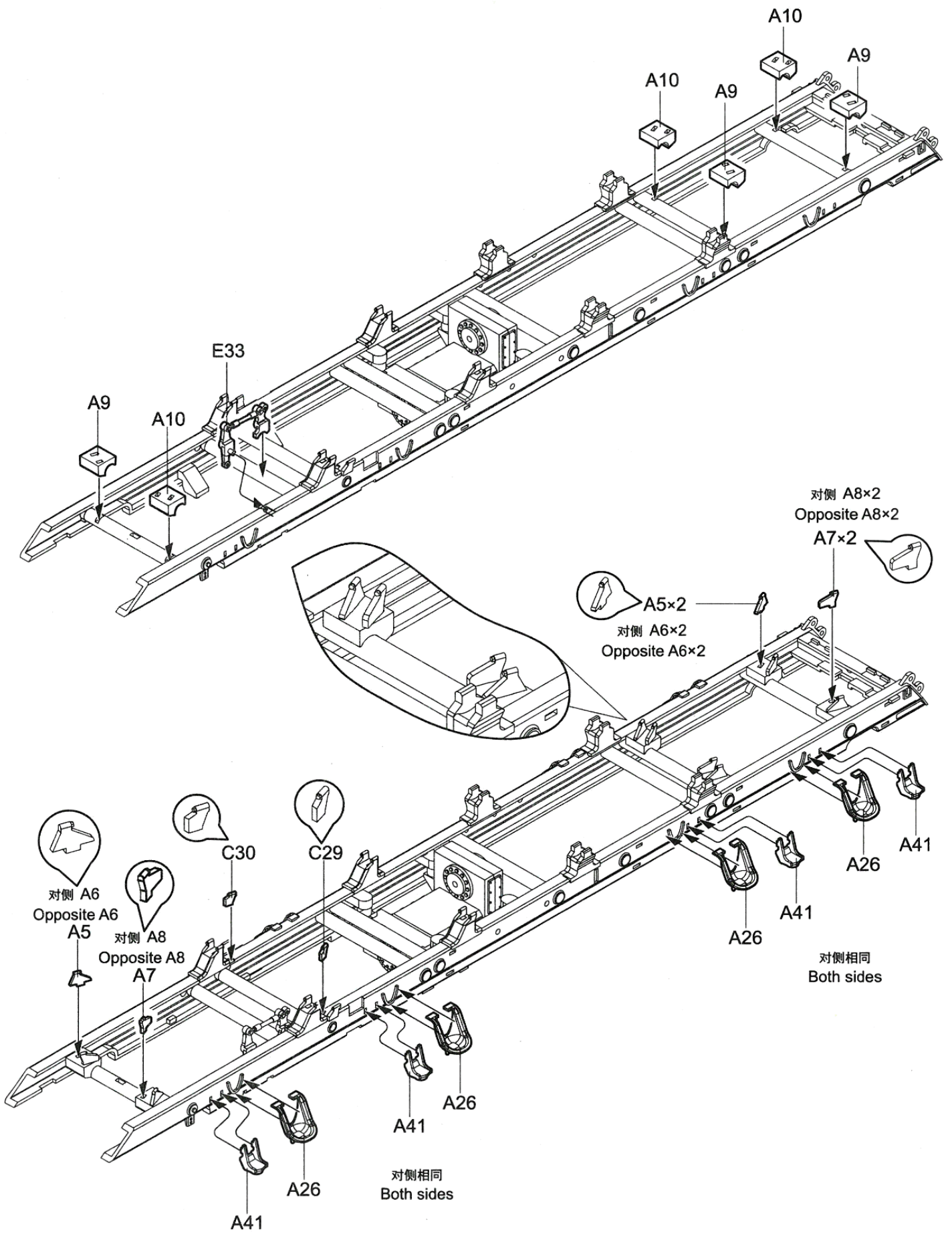
2



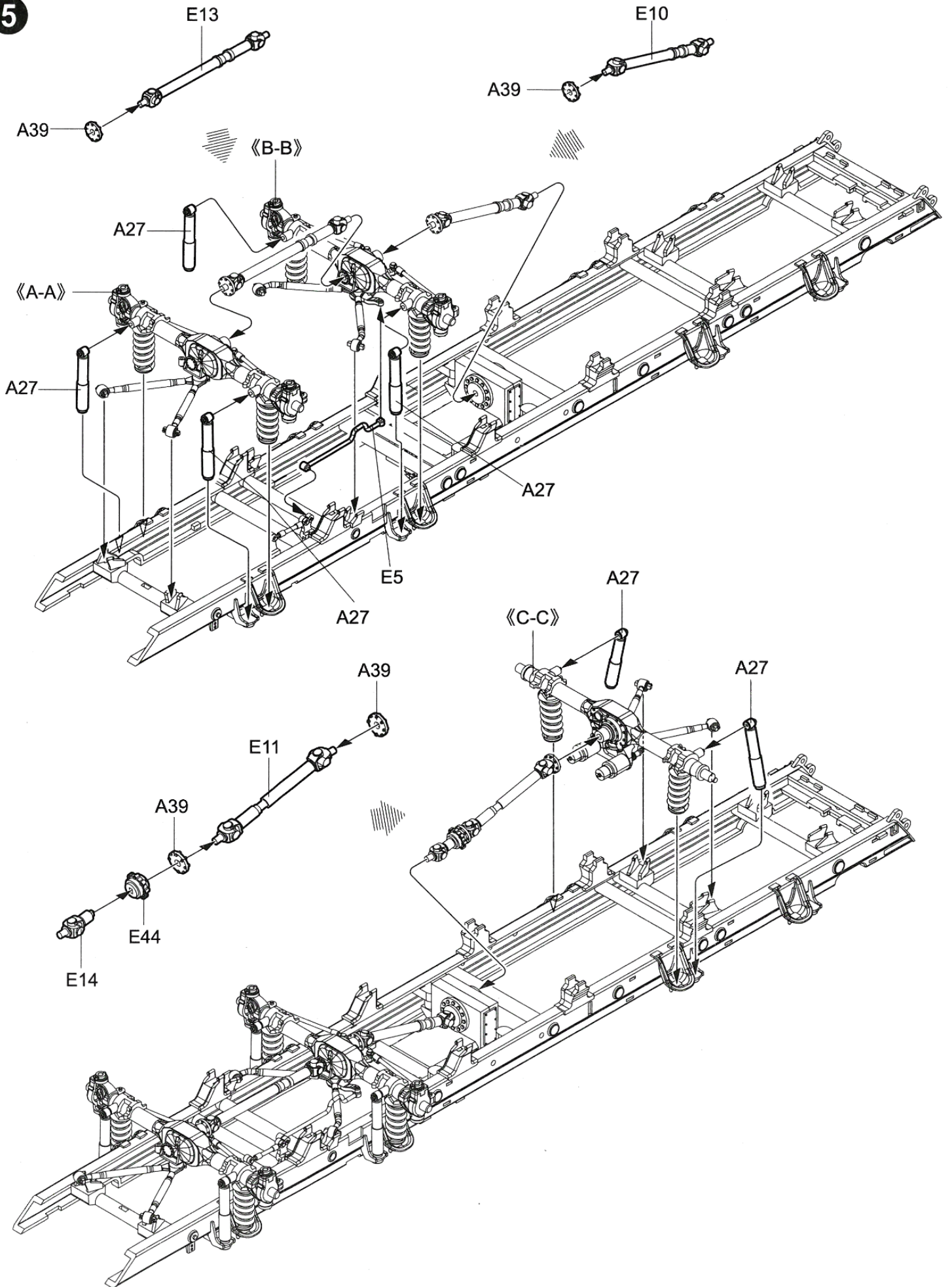


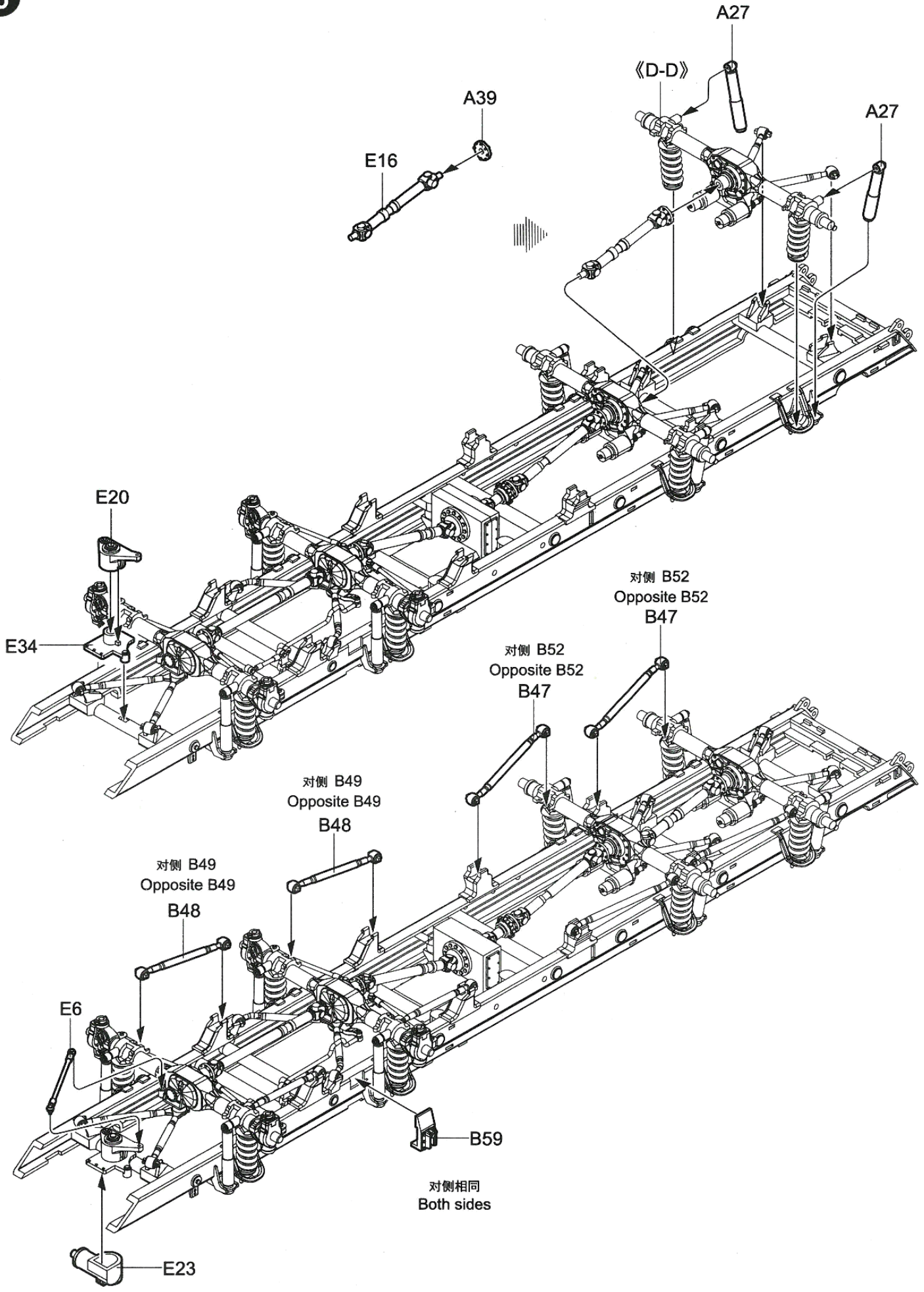
3



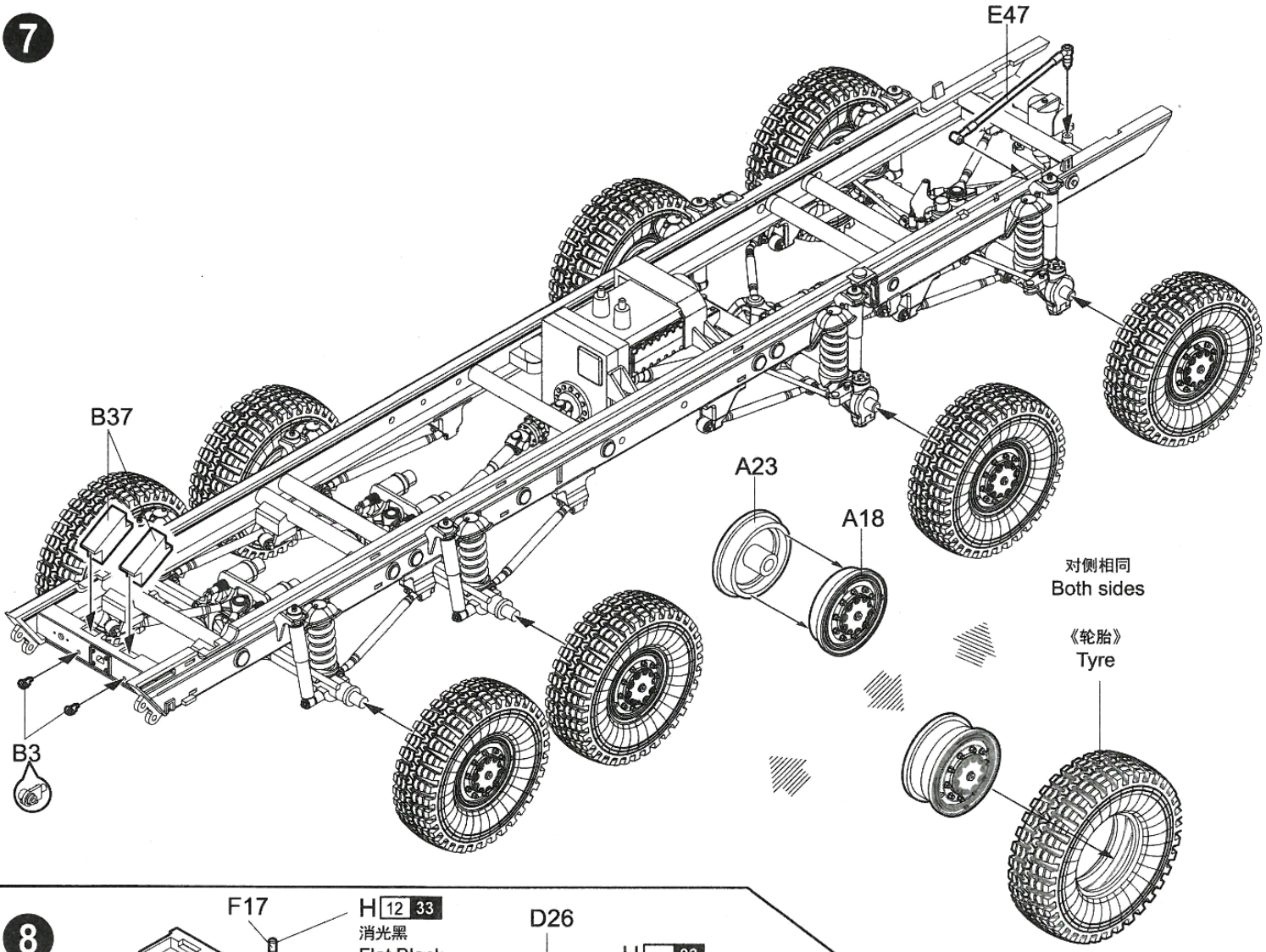


5

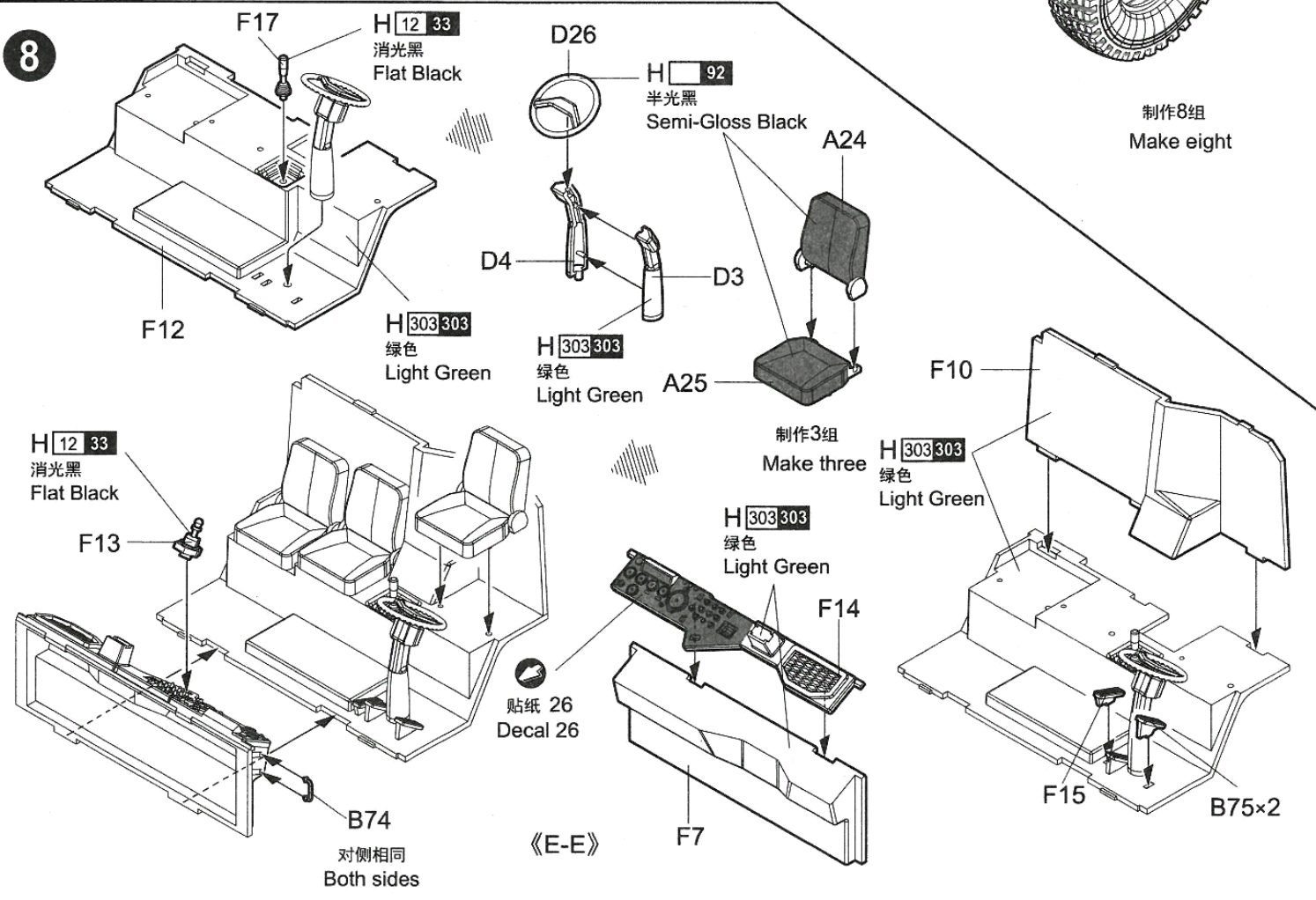




7



8

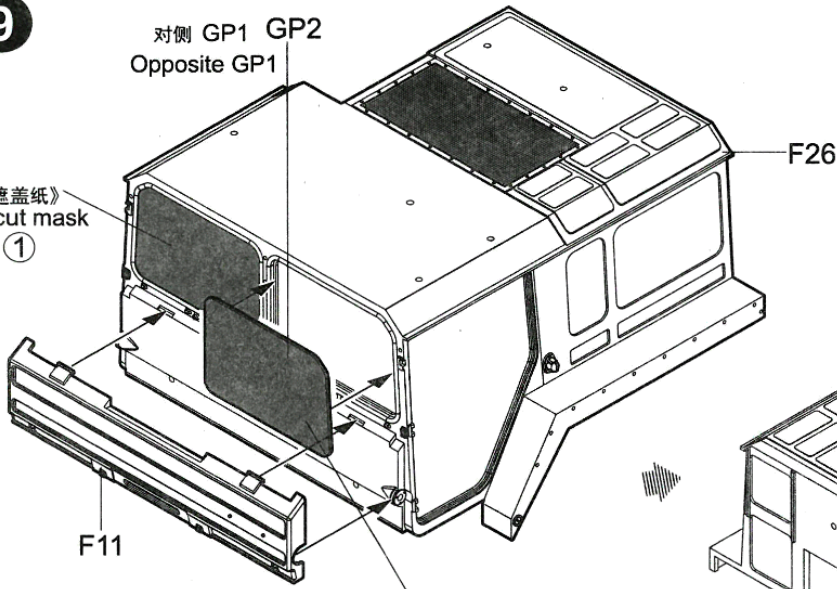




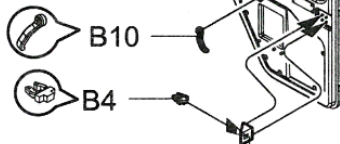
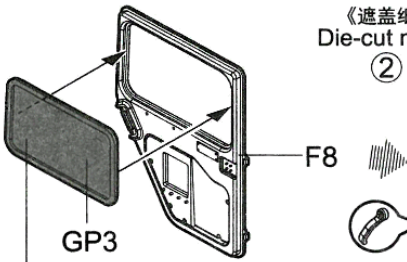
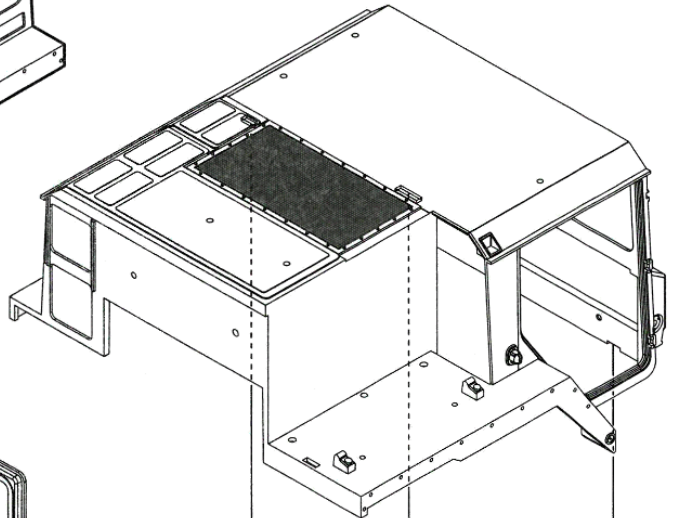
9

对侧 GP1 GP2  
Opposite GP1

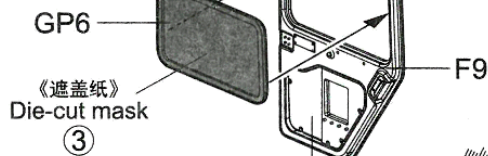
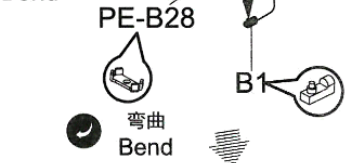
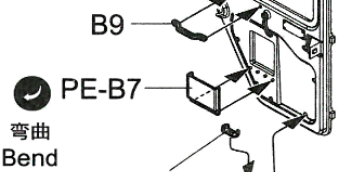
《遮盖纸》  
Die-cut mask  
①



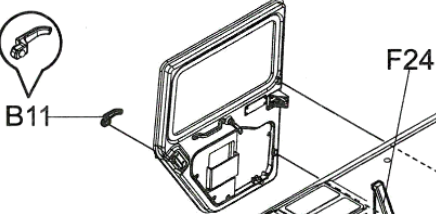
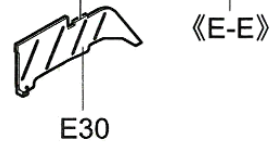
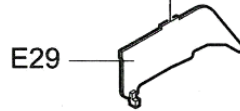
《遮盖纸》  
Die-cut mask  
②



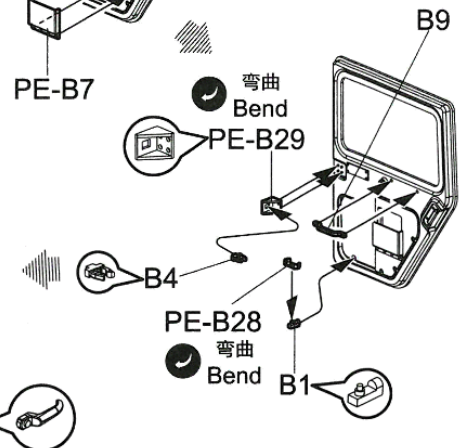
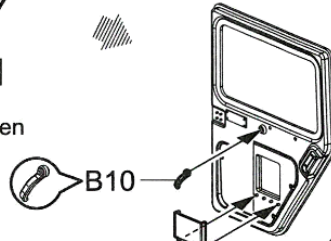
《遮盖纸》  
Die-cut mask  
④

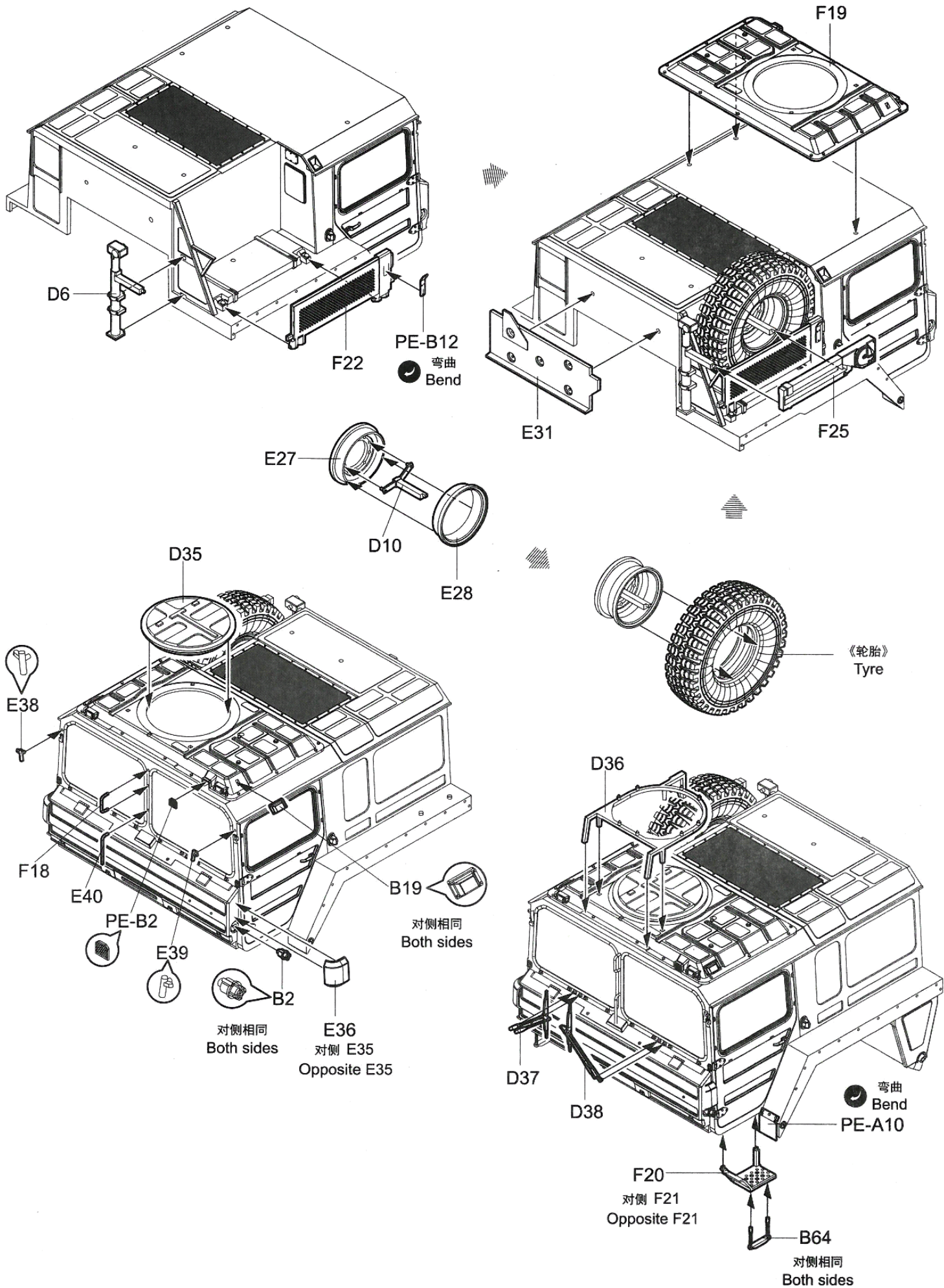


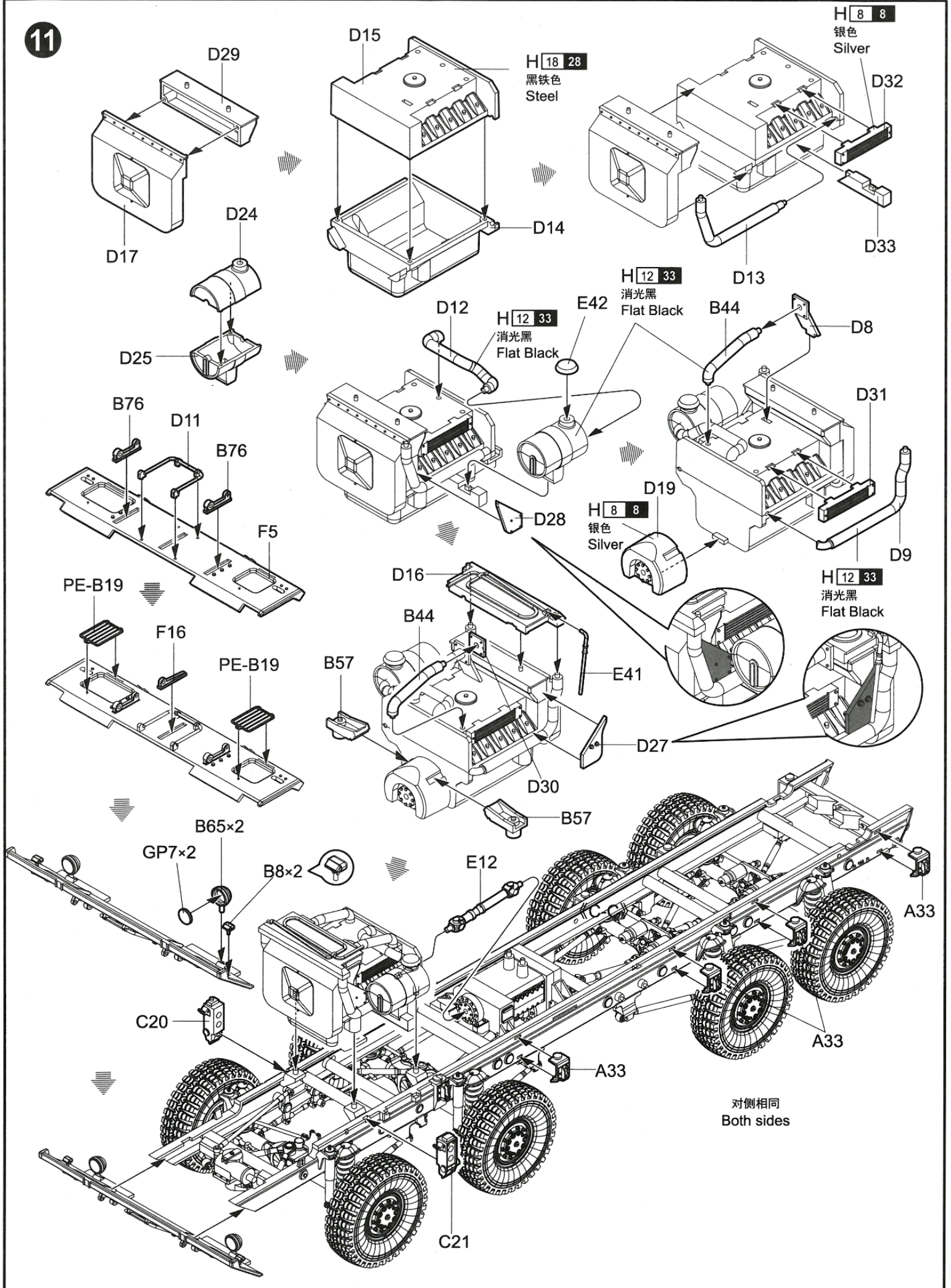
PE-B29  
弯曲  
Bend



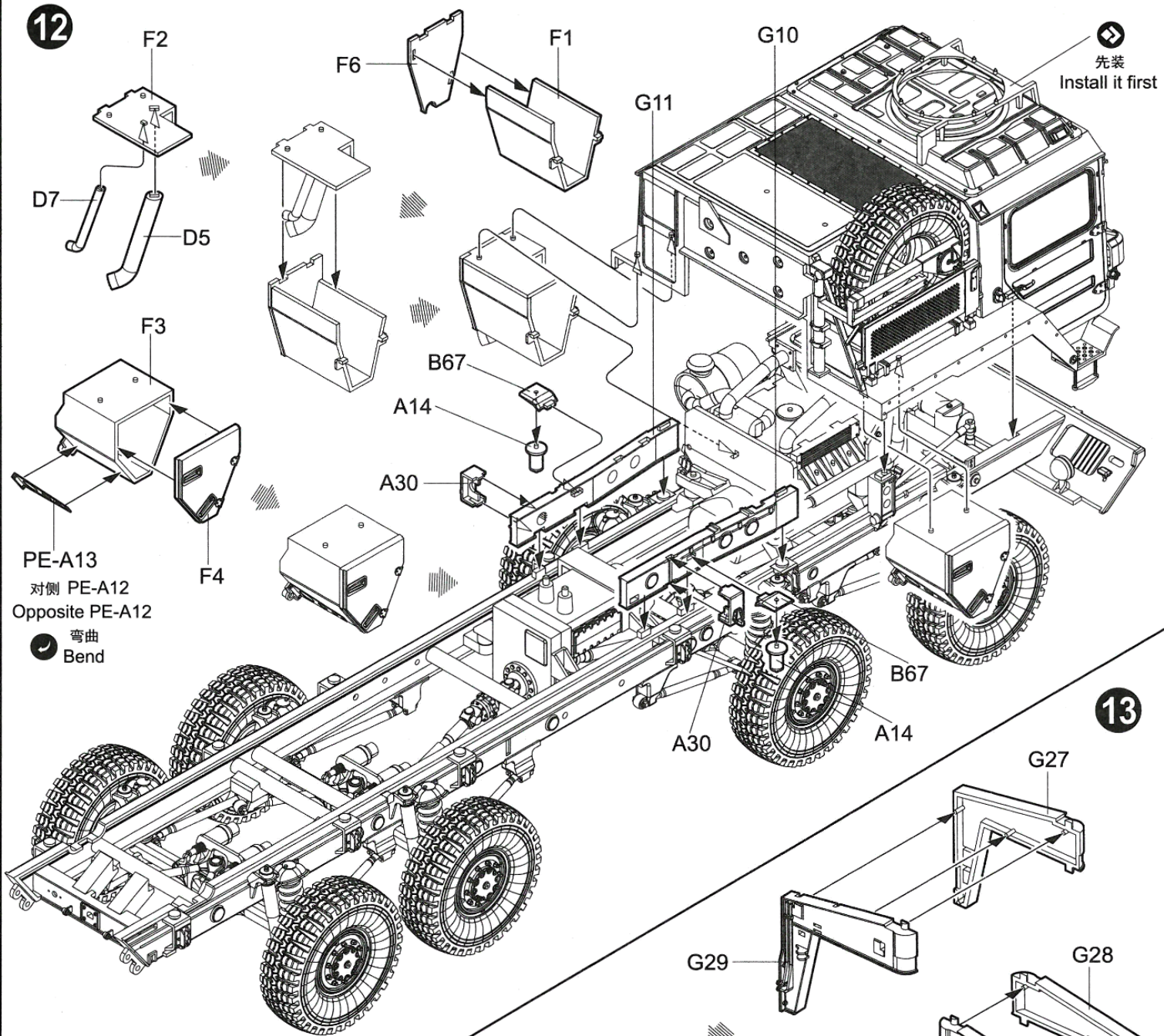
F23  
H 303 303  
绿色  
Light Green





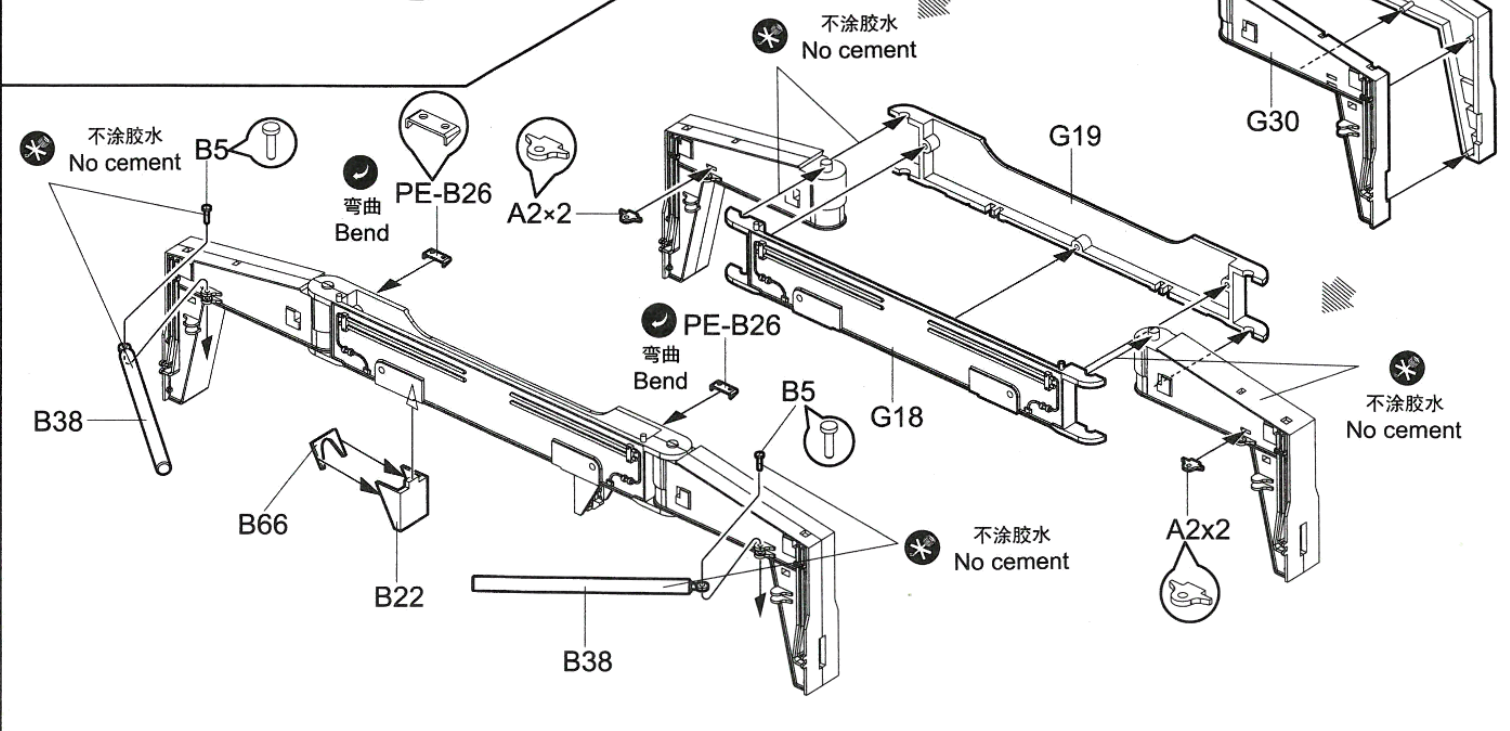


12



PE-A13  
 对侧 PE-A12  
 Opposite PE-A12  
 弯曲  
 Bend

13



不涂胶水  
 No cement

弯曲  
 Bend

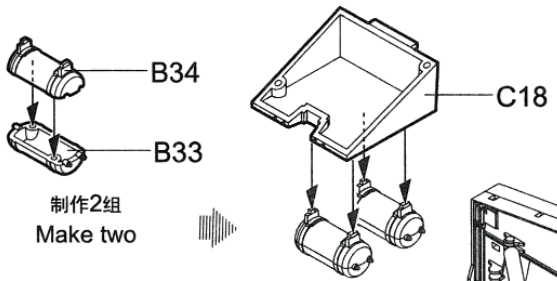
PE-B26  
 弯曲  
 Bend

不涂胶水  
 No cement

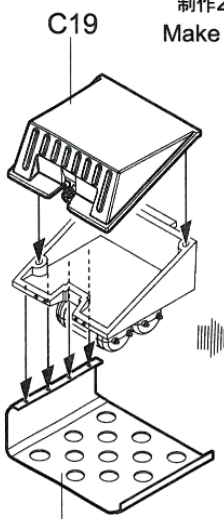
不涂胶水  
 No cement

不涂胶水  
 No cement

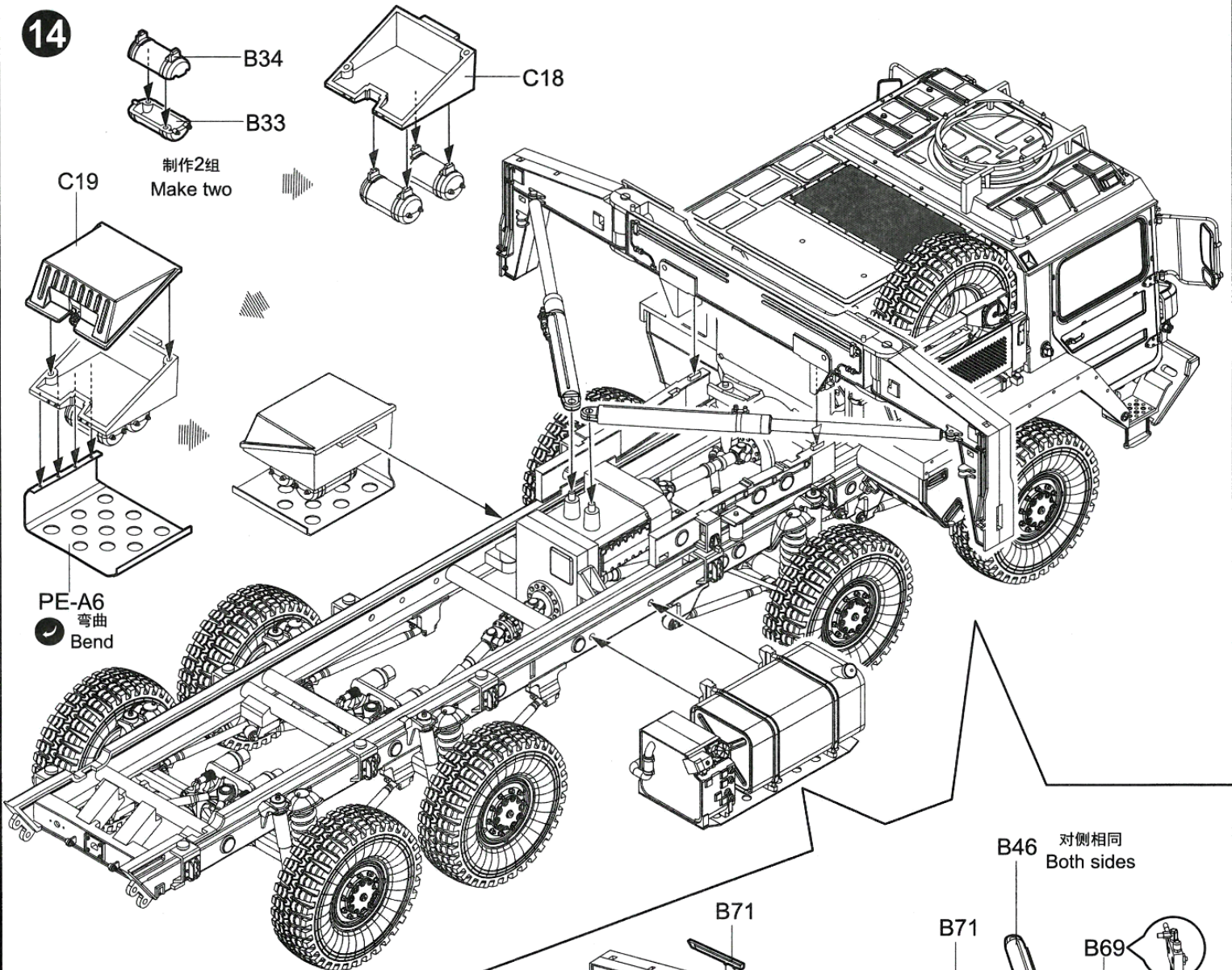
14



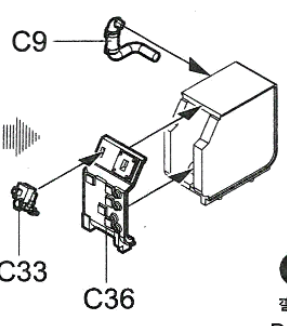
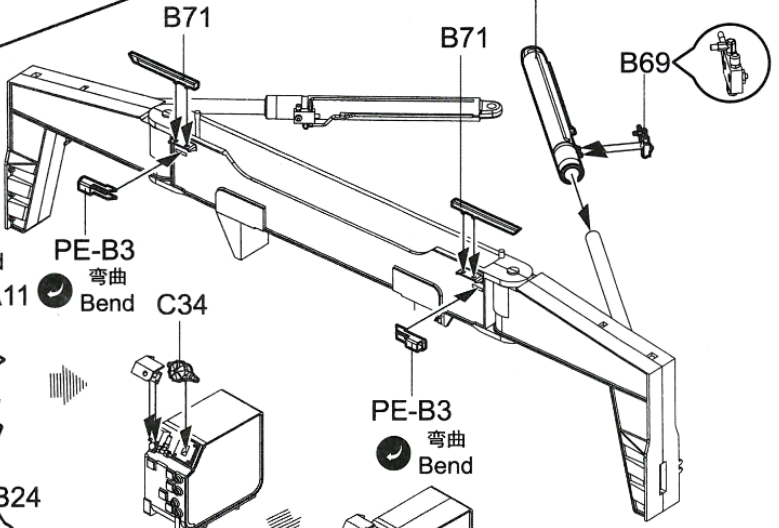
制作2组  
Make two



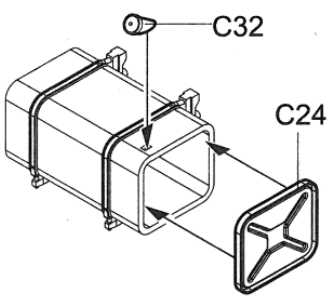
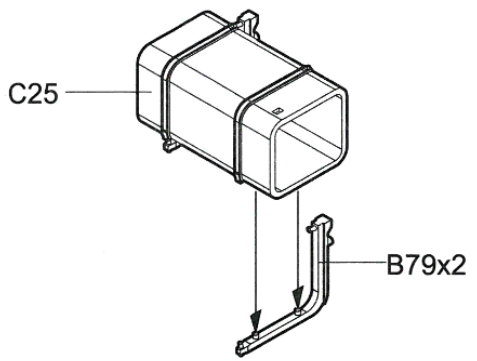
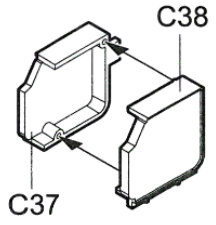
PE-A6  
弯曲  
Bend



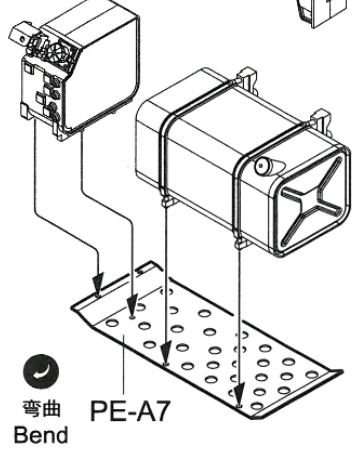
B46 对侧相同  
Both sides



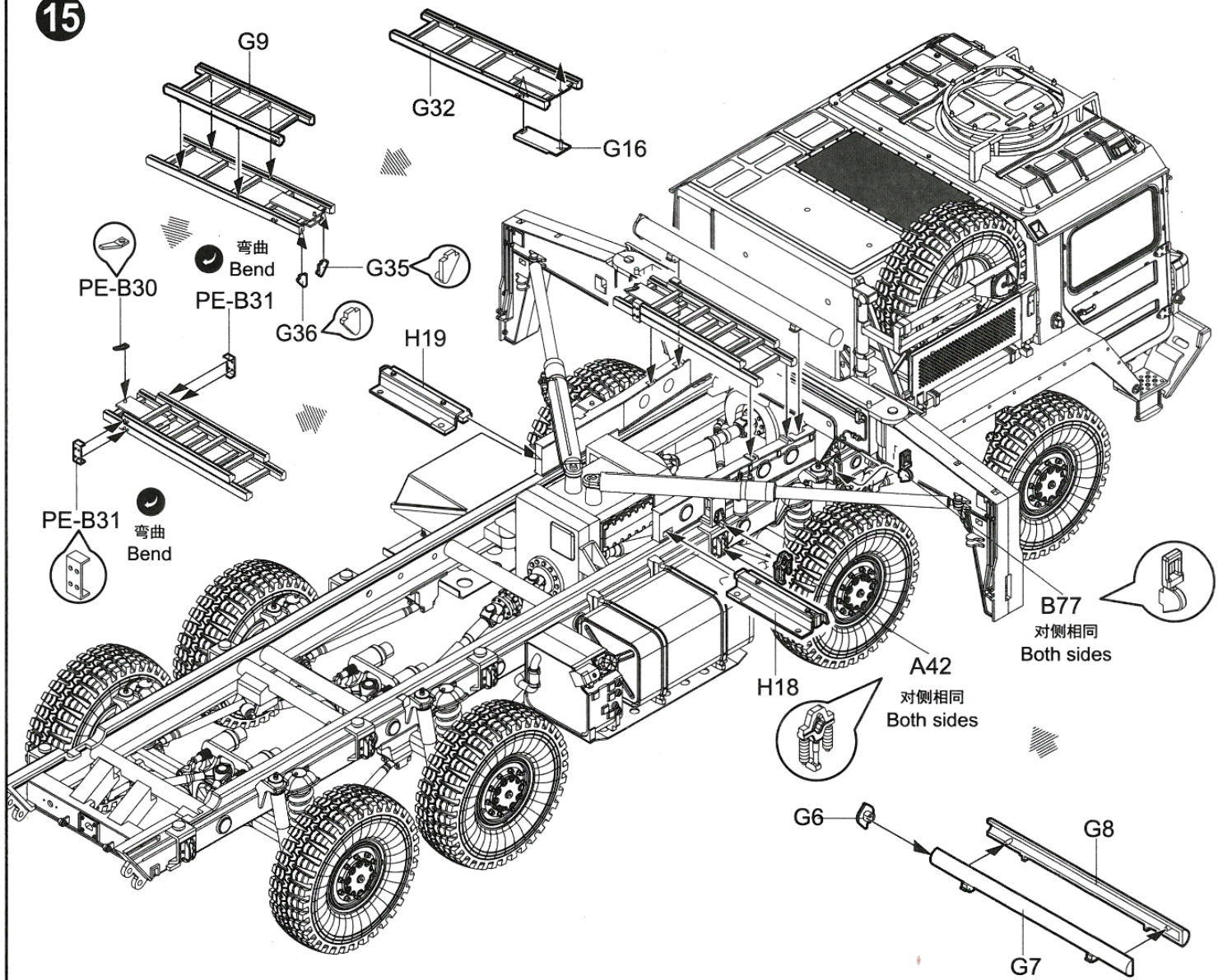
弯曲  
Bend  
PE-A11 弯曲  
Bend  
PE-B24 弯曲  
Bend



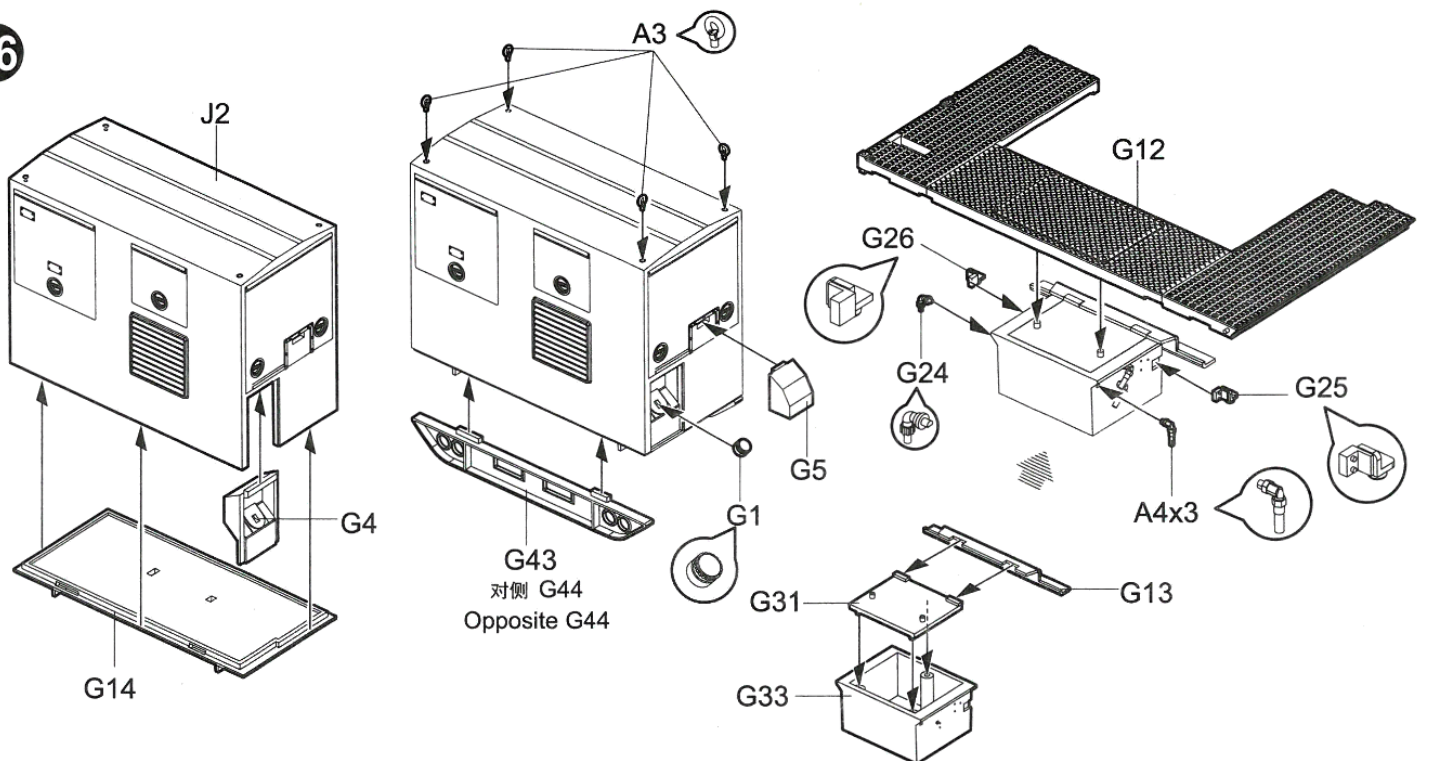
PE-B3 弯曲  
Bend



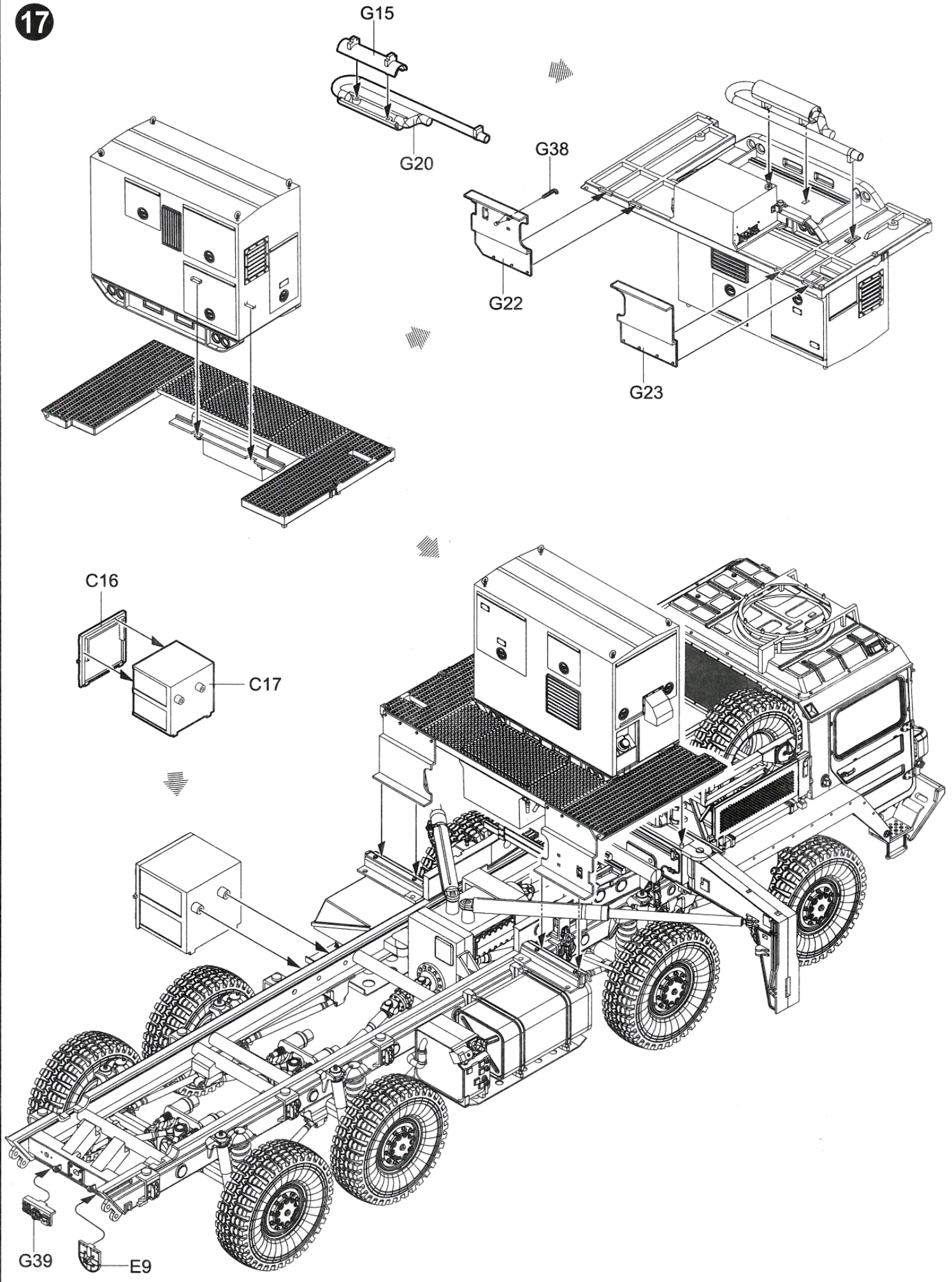
15

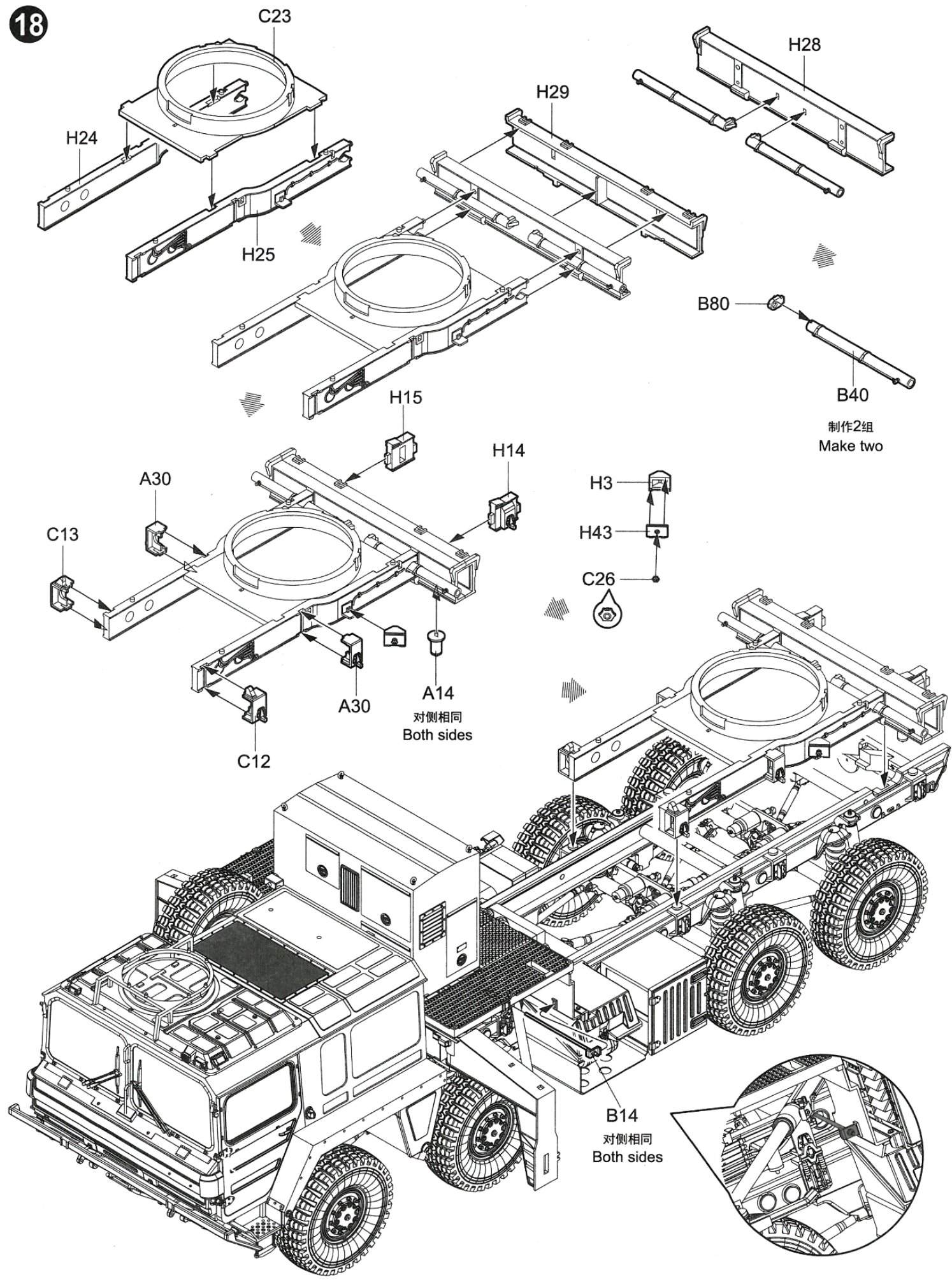


16



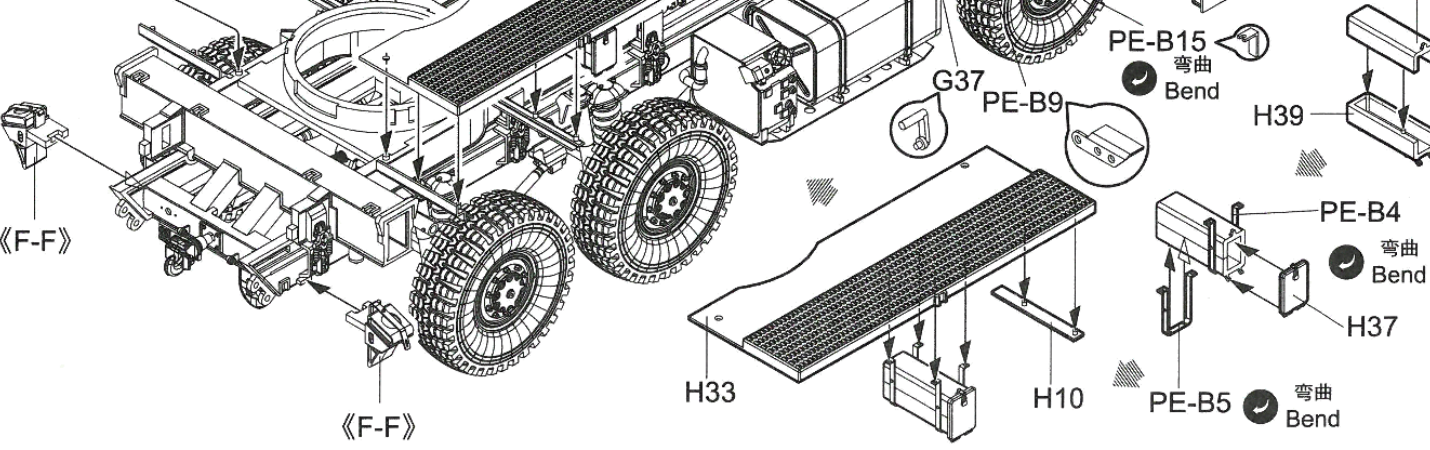
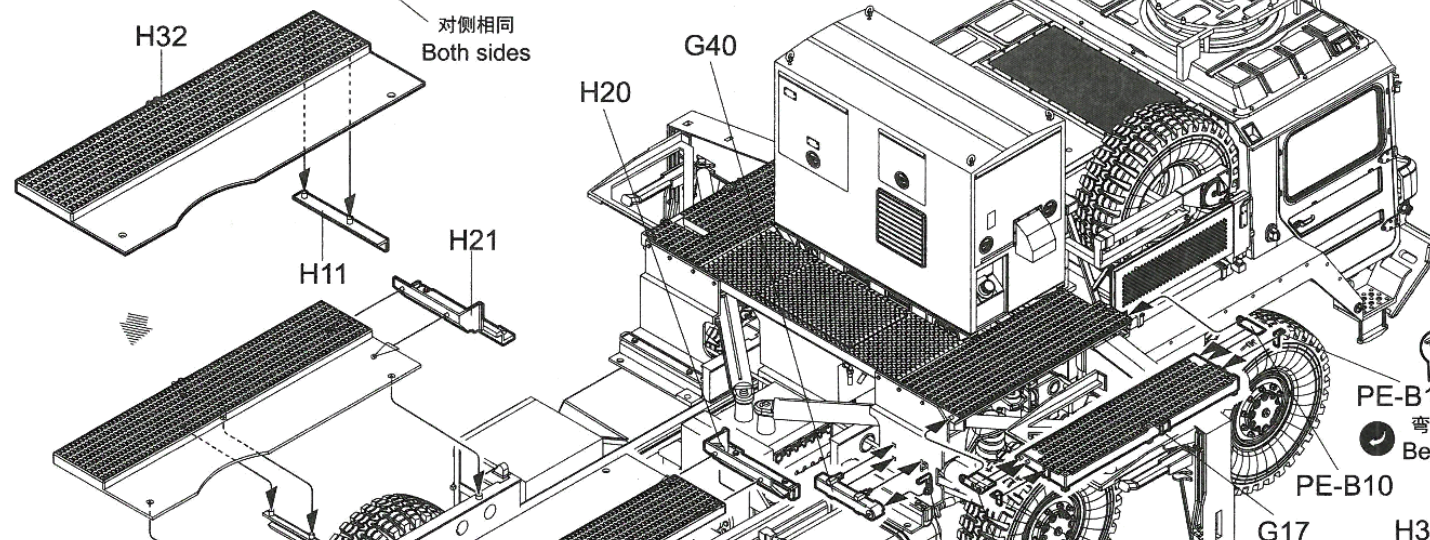
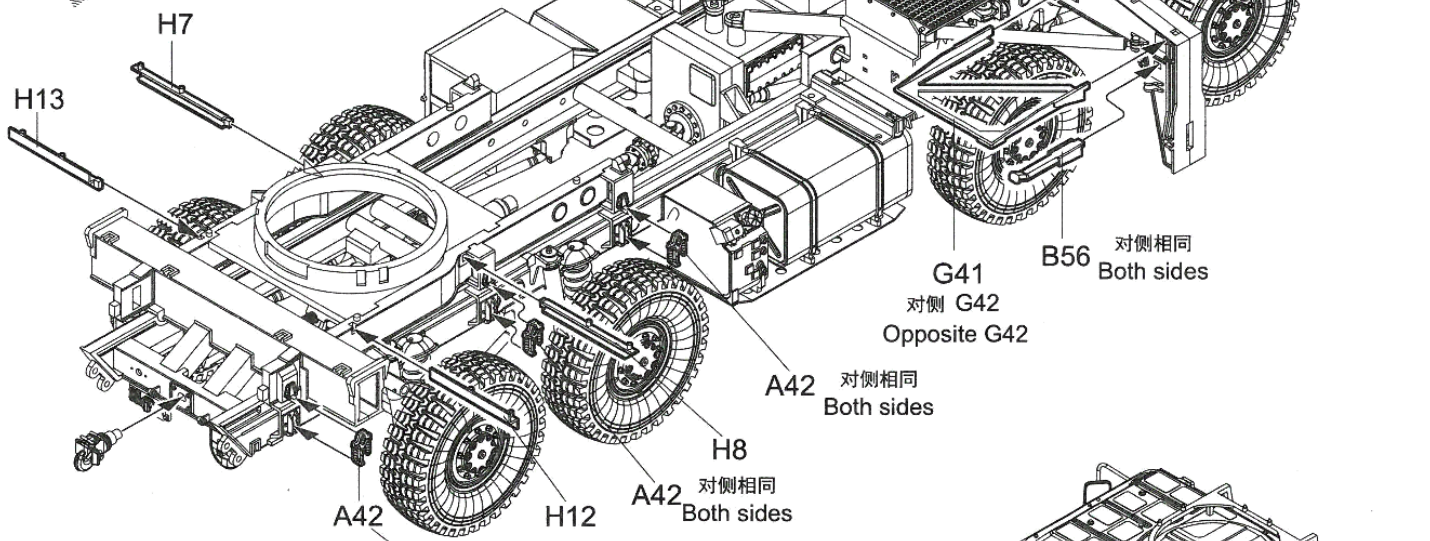
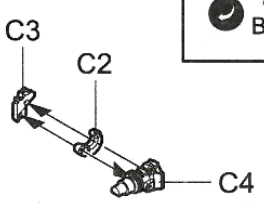
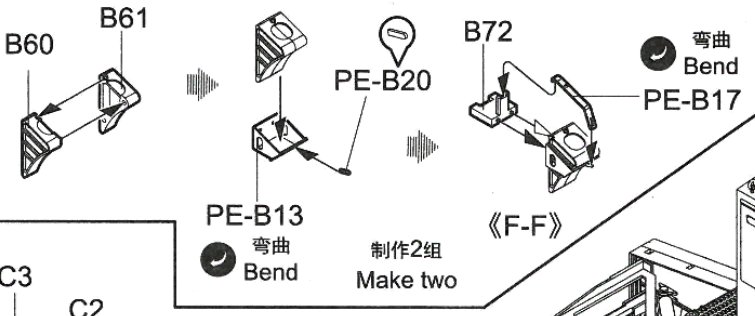
17

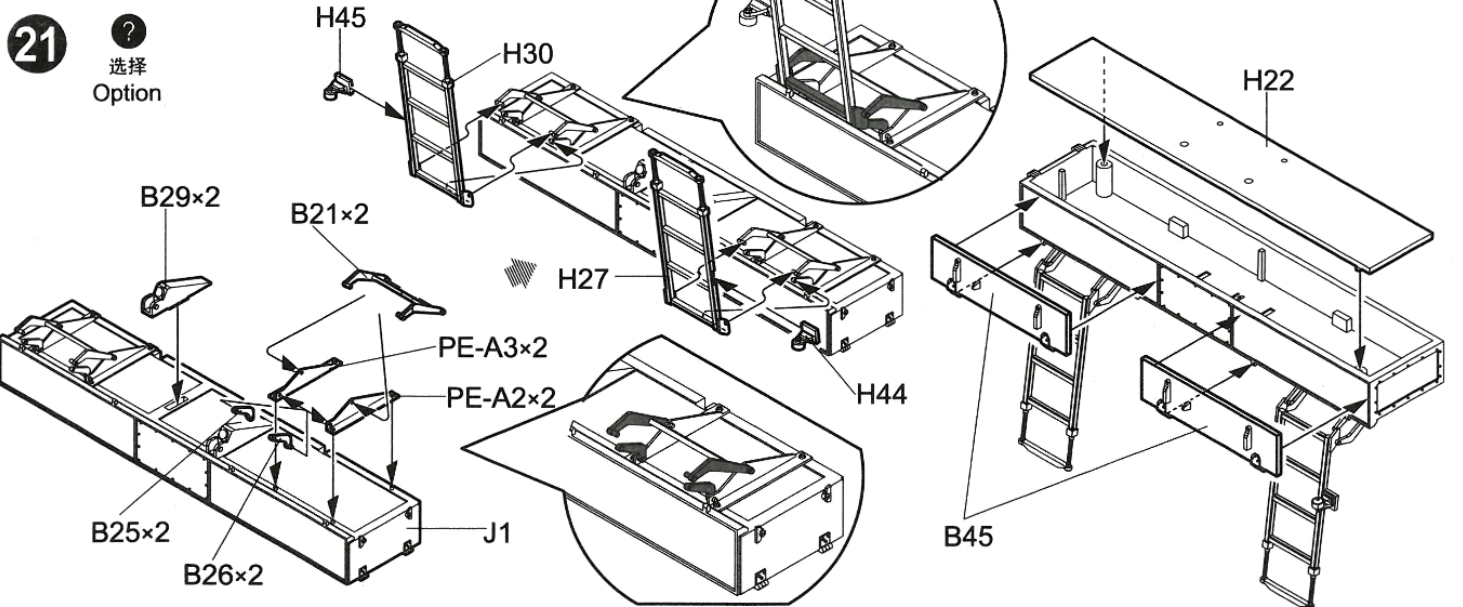
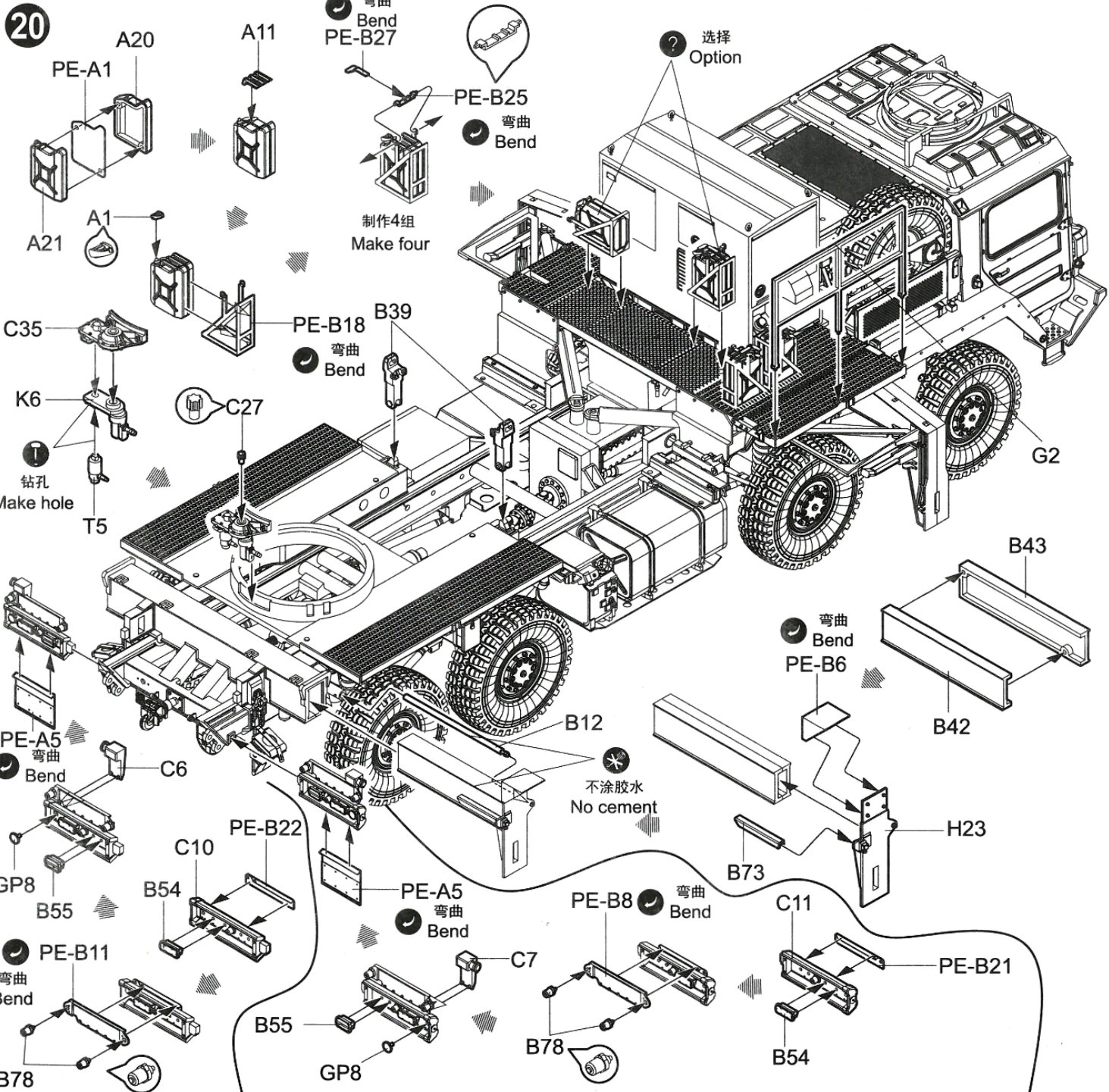






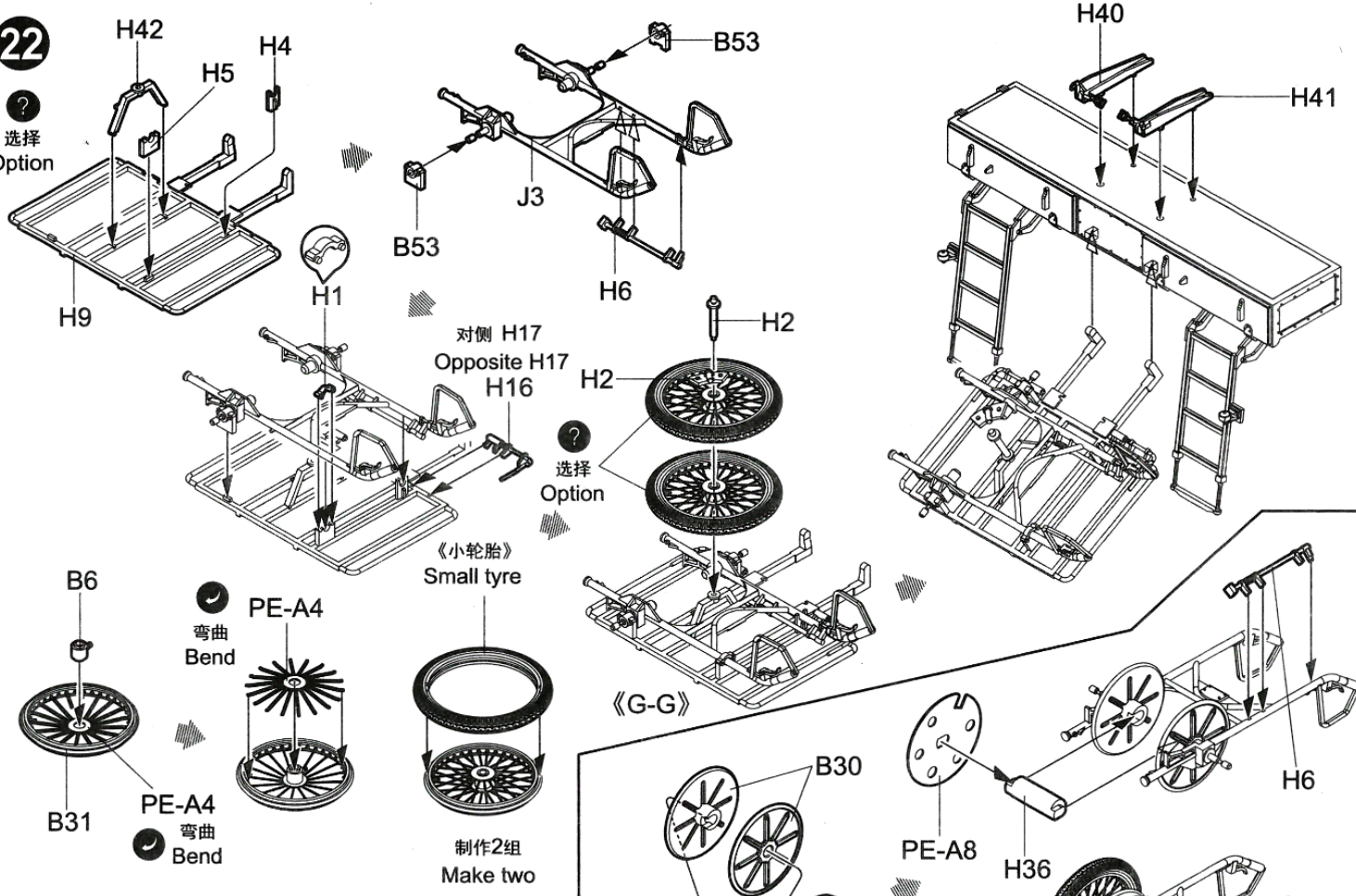
19





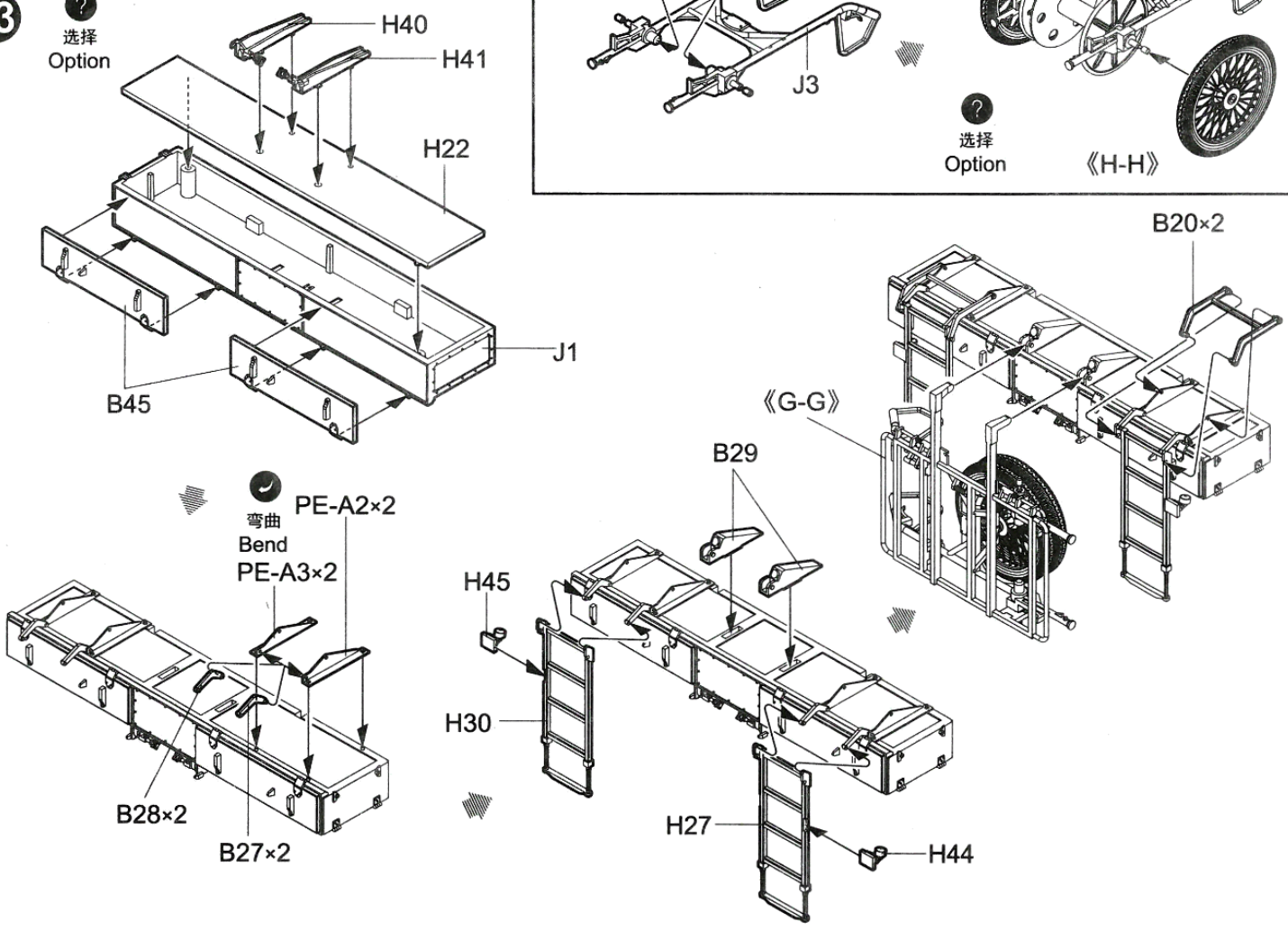
22

选择 Option

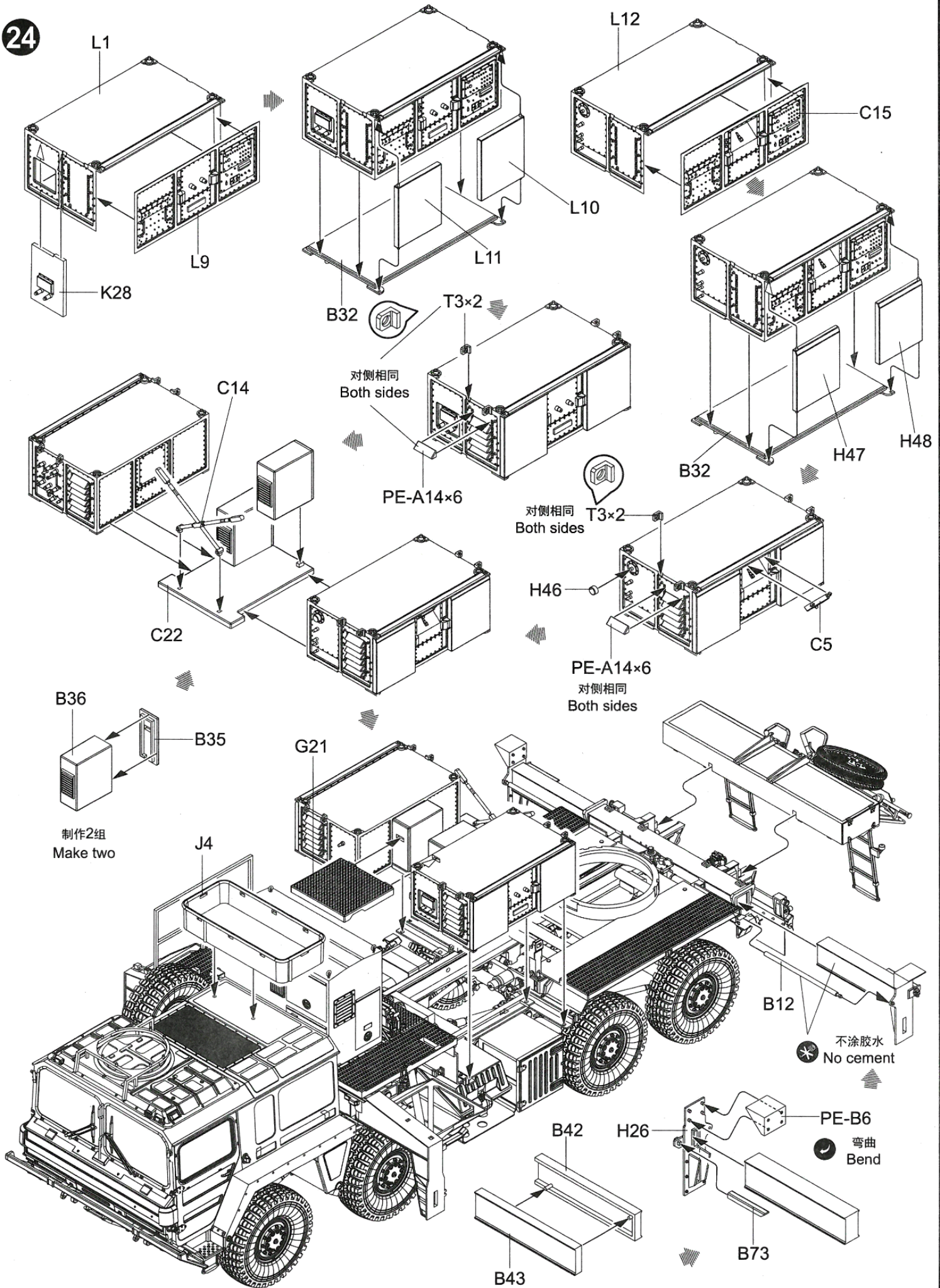


23

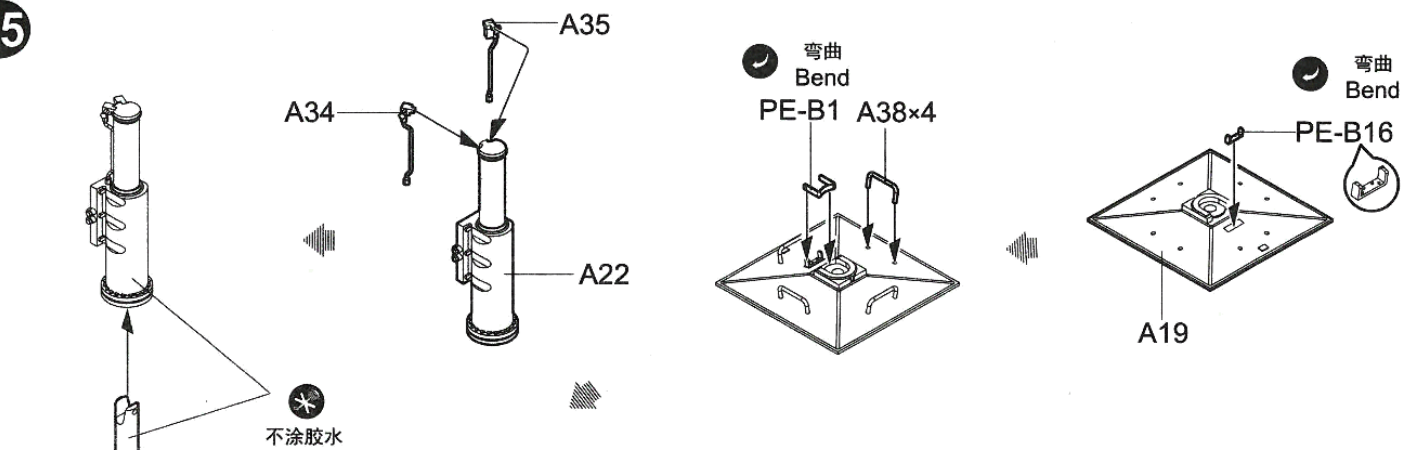
选择 Option



24



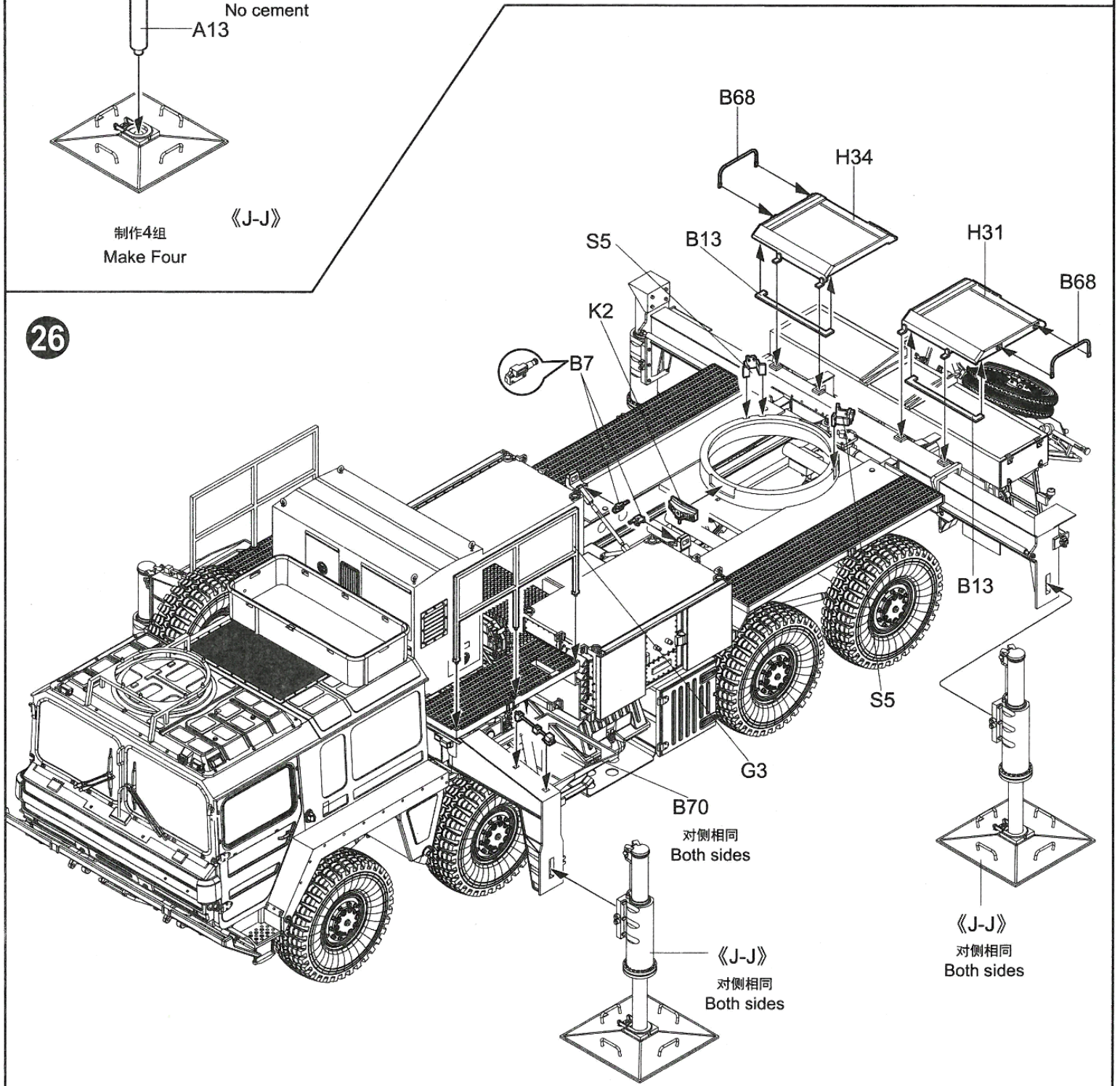
25

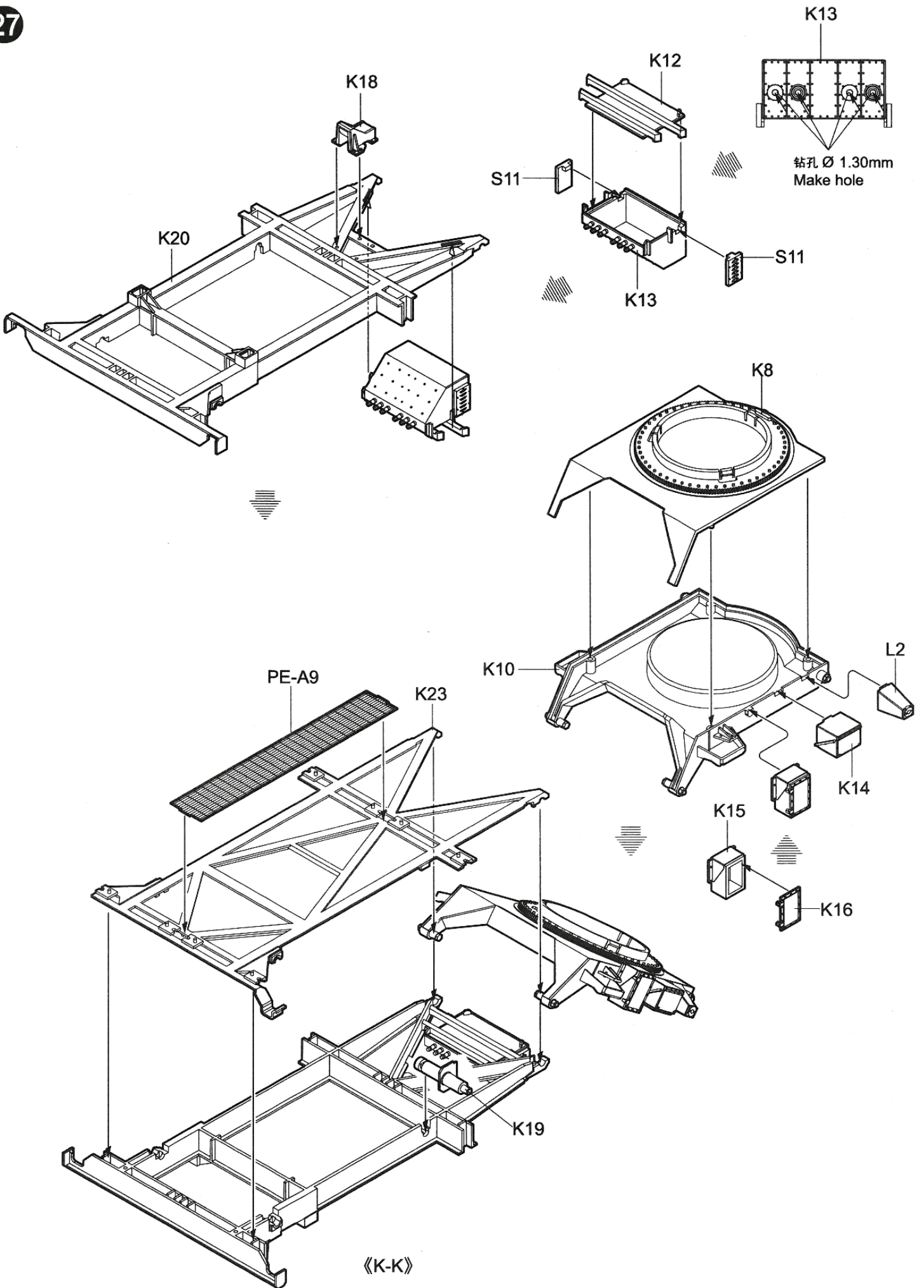


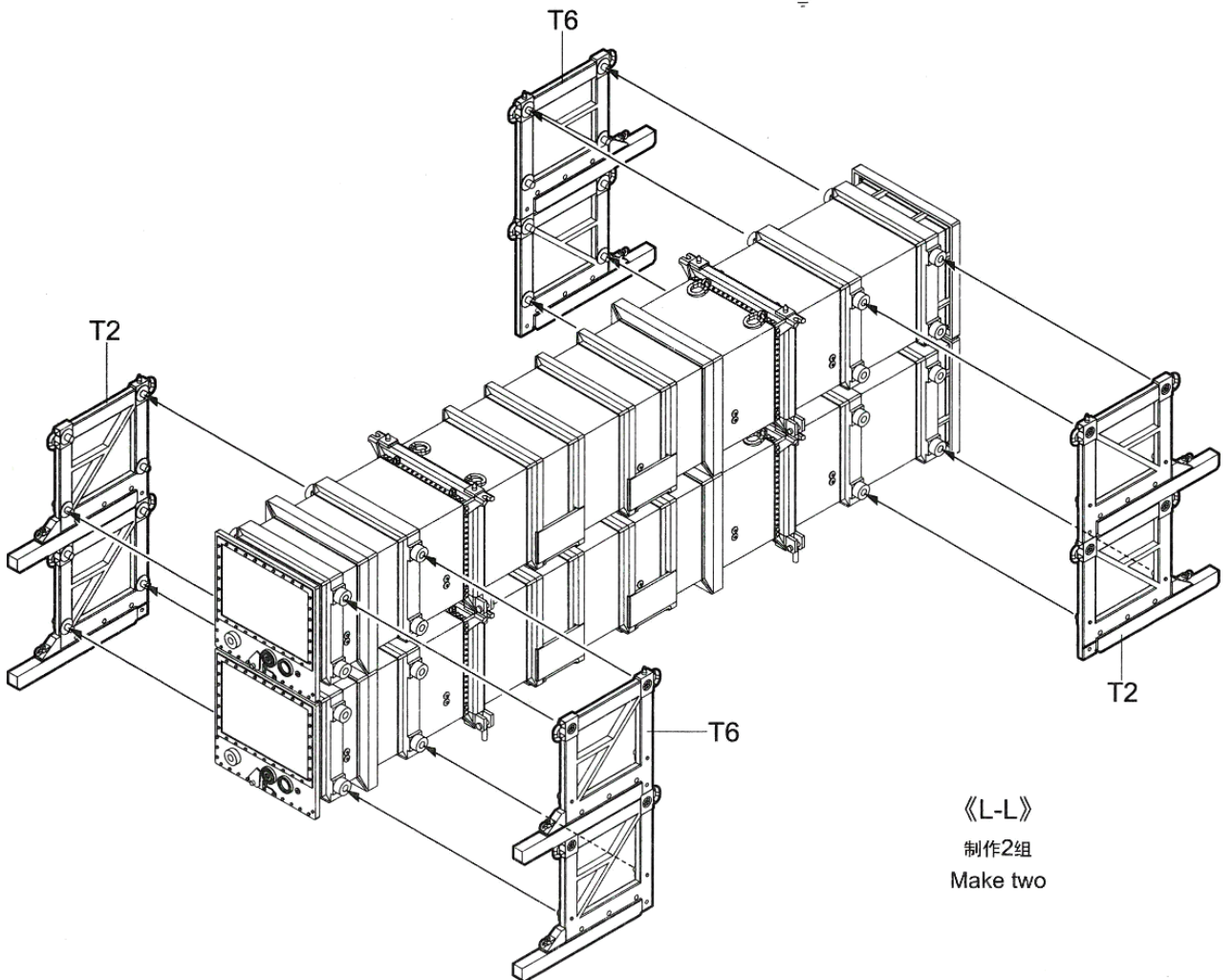
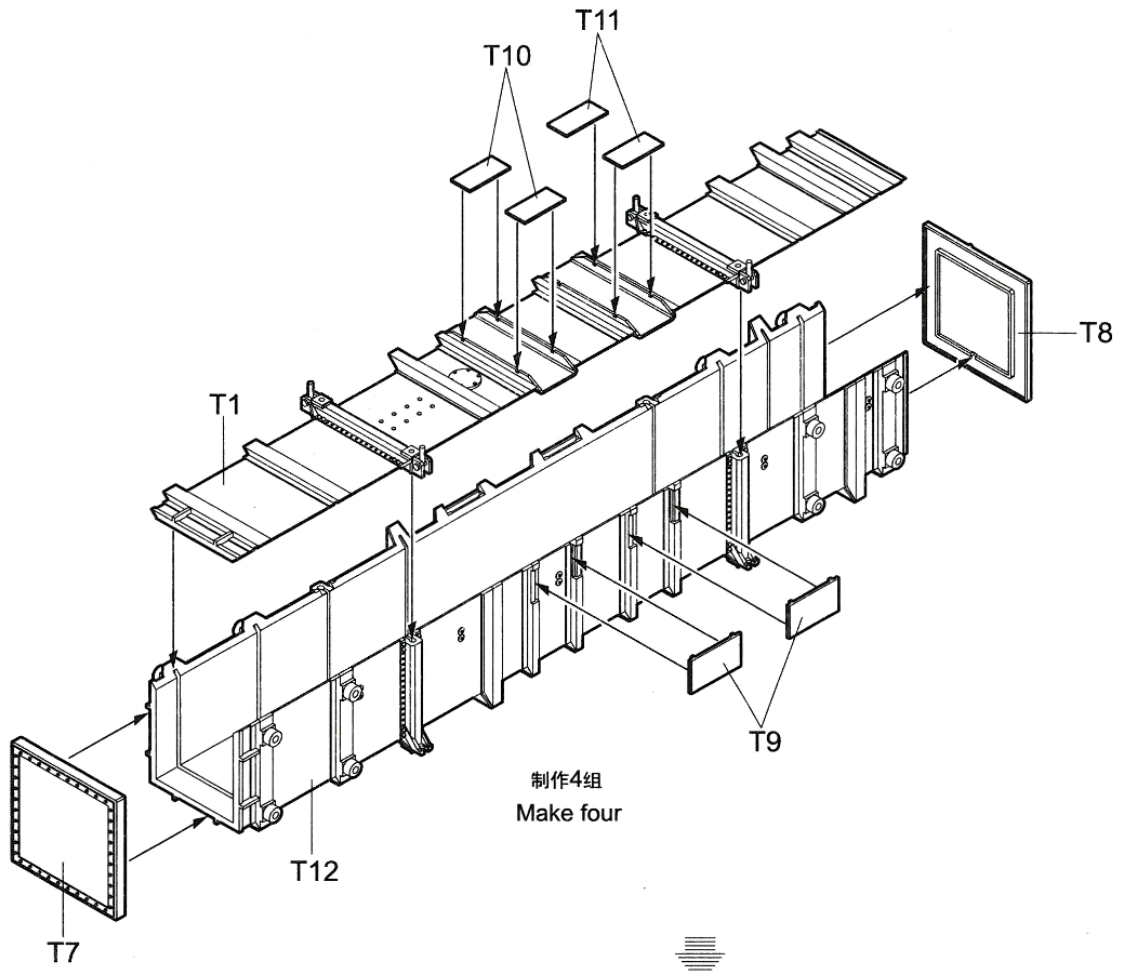
制作4组  
Make Four

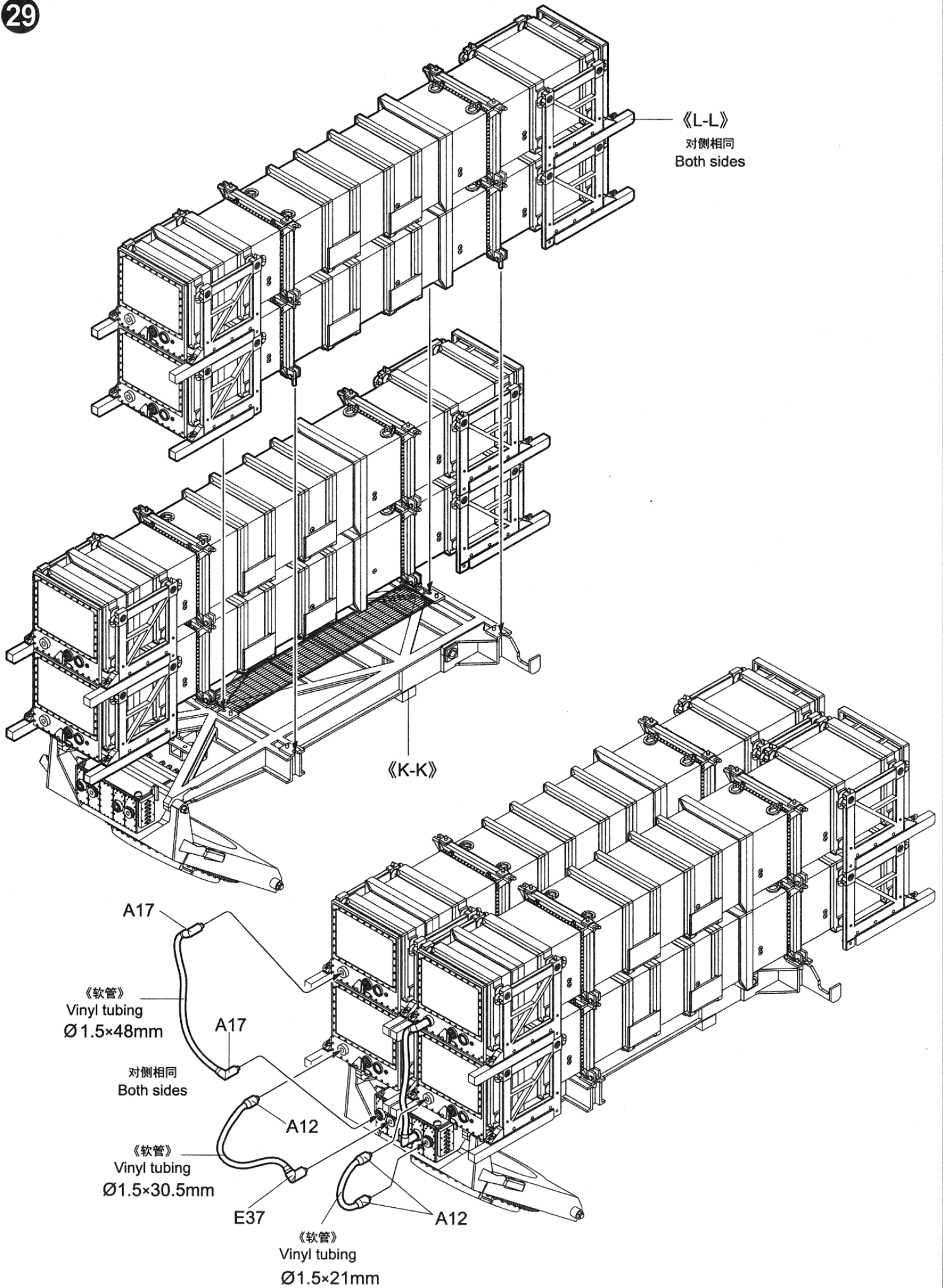
《J-J》

26



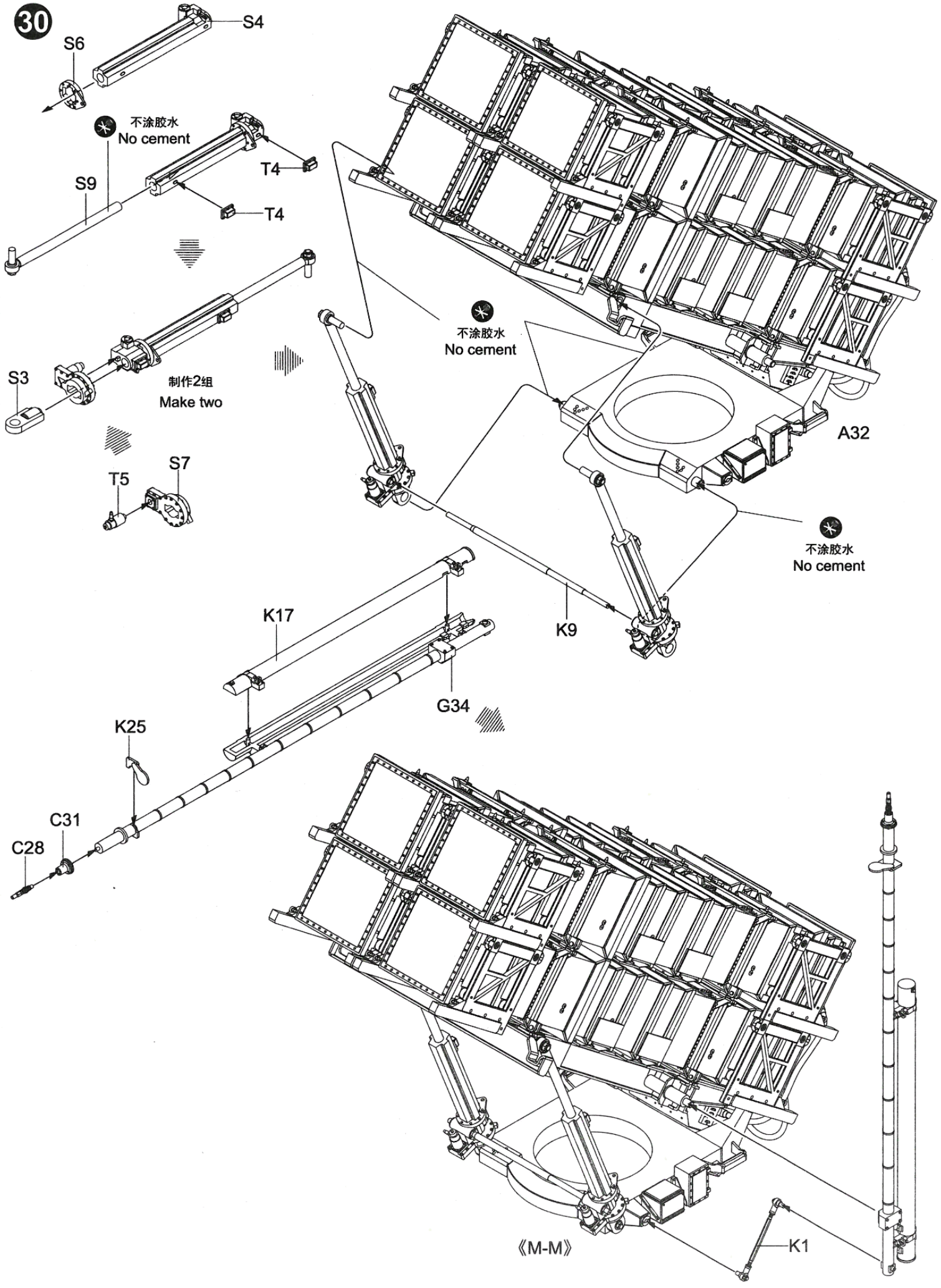


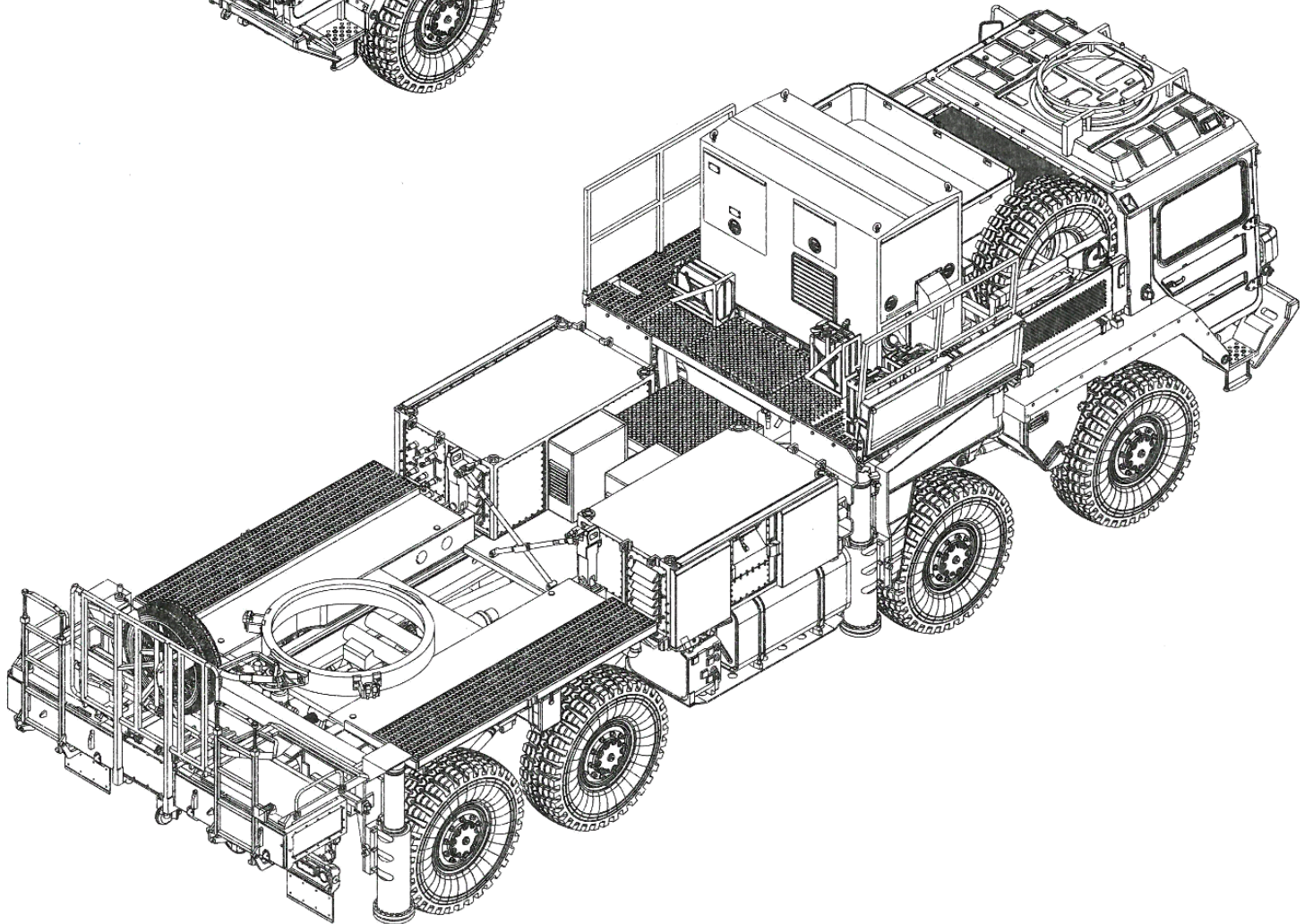
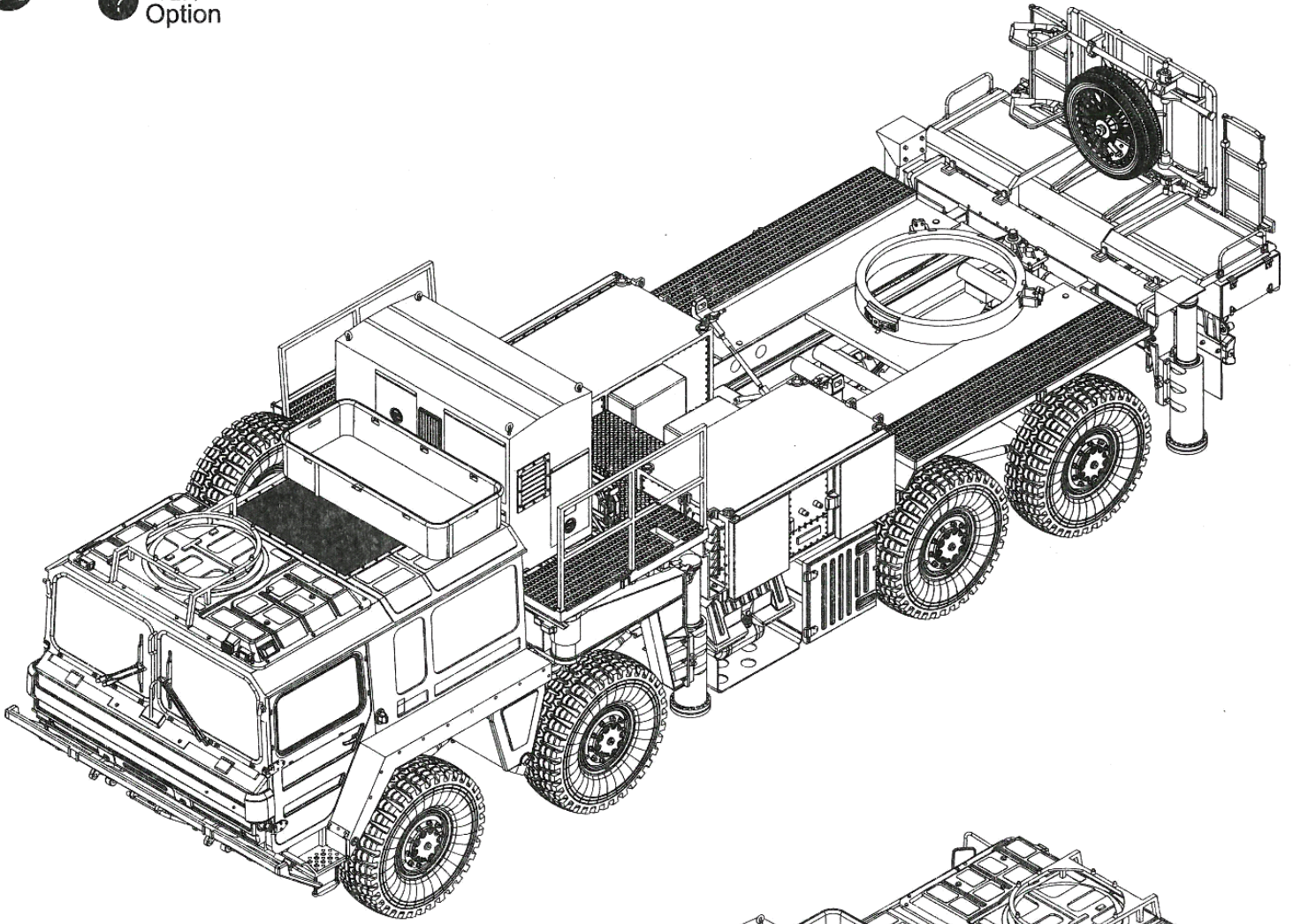




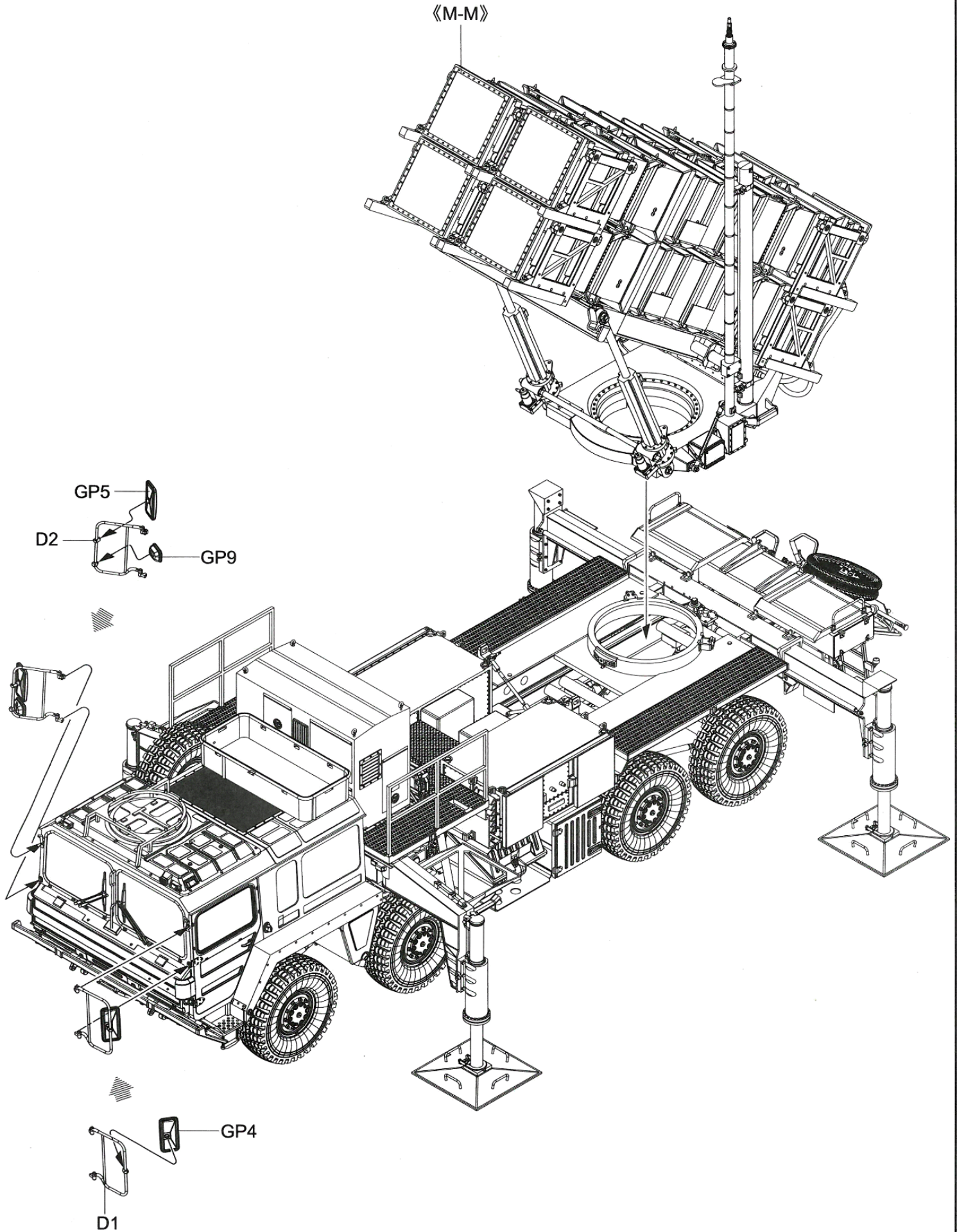


30





«M-M»



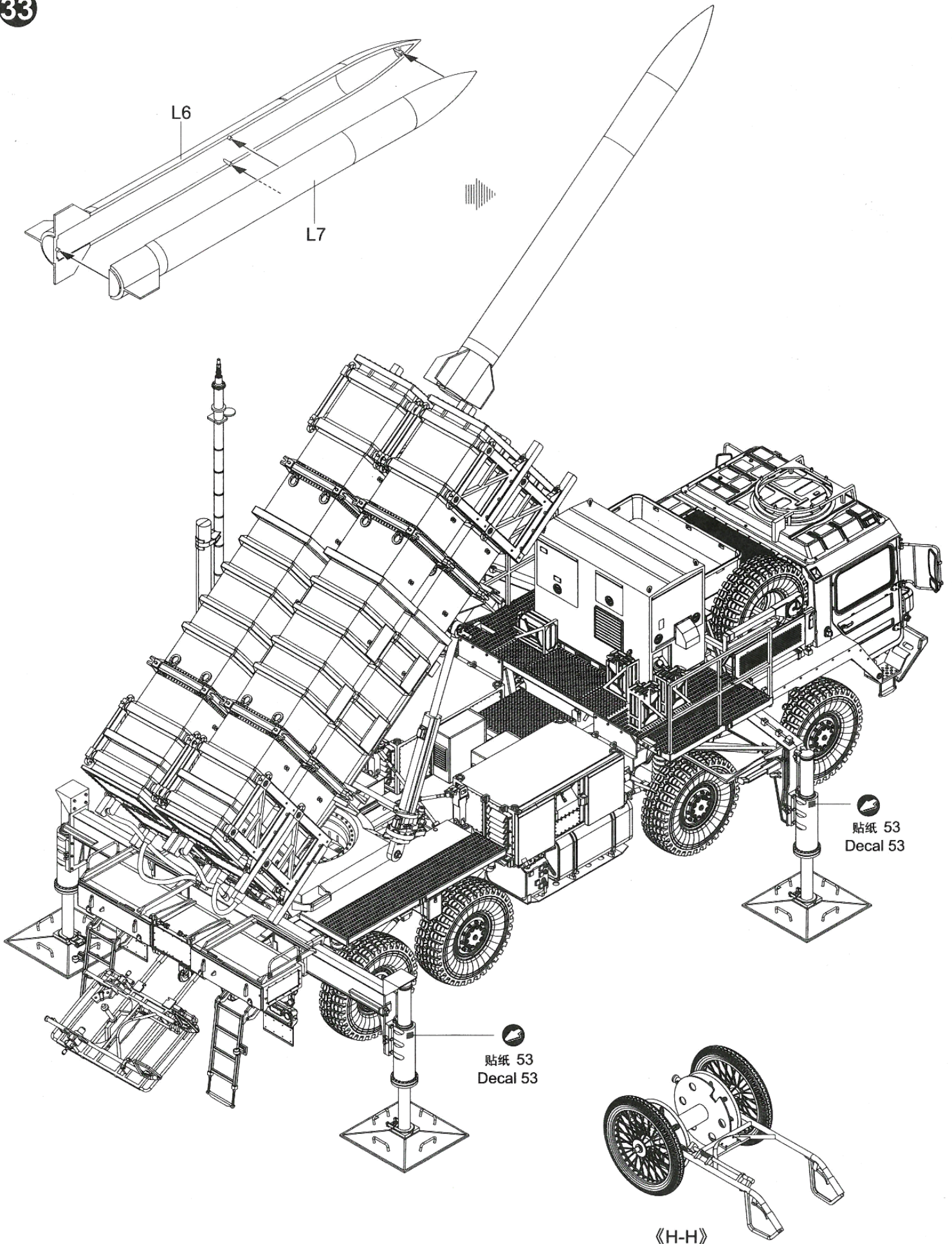
GP5

D2

GP9

GP4

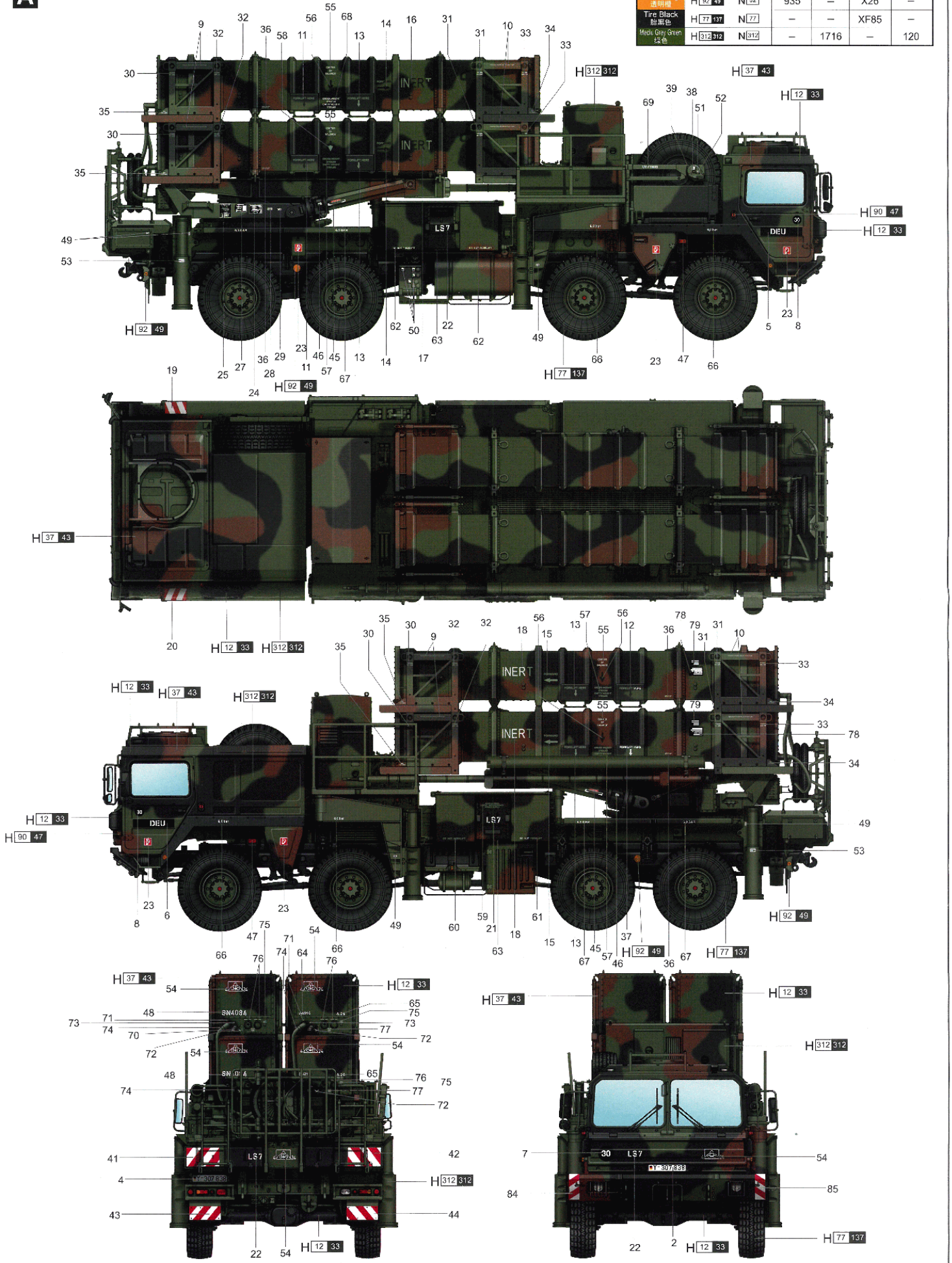
D1



# 涂装同标贴指示 Painting & Marking guide

**A**

PAINT REFERENCE COLOR						
Color	Mr.Hobby	Acrycion	Vallejo	Model Master	Tamiya	Humbrol
Wood Brown 木棕色	H 37 43	N 37	983	1701	—	186
Flat Black 消光黑	H 12 33	N 12	950	1749	XF1	33
Clear Red 透明红	H 90 47	N 90	934	—	X27	—
Clear Orange 透明橙	H 92 49	N 92	935	—	X26	—
Tire Black 胎黑色	H 77 137	N 77	—	—	XF85	—
Mech. Grey Green 灰绿色	H 312 312	N 312	—	1716	—	120



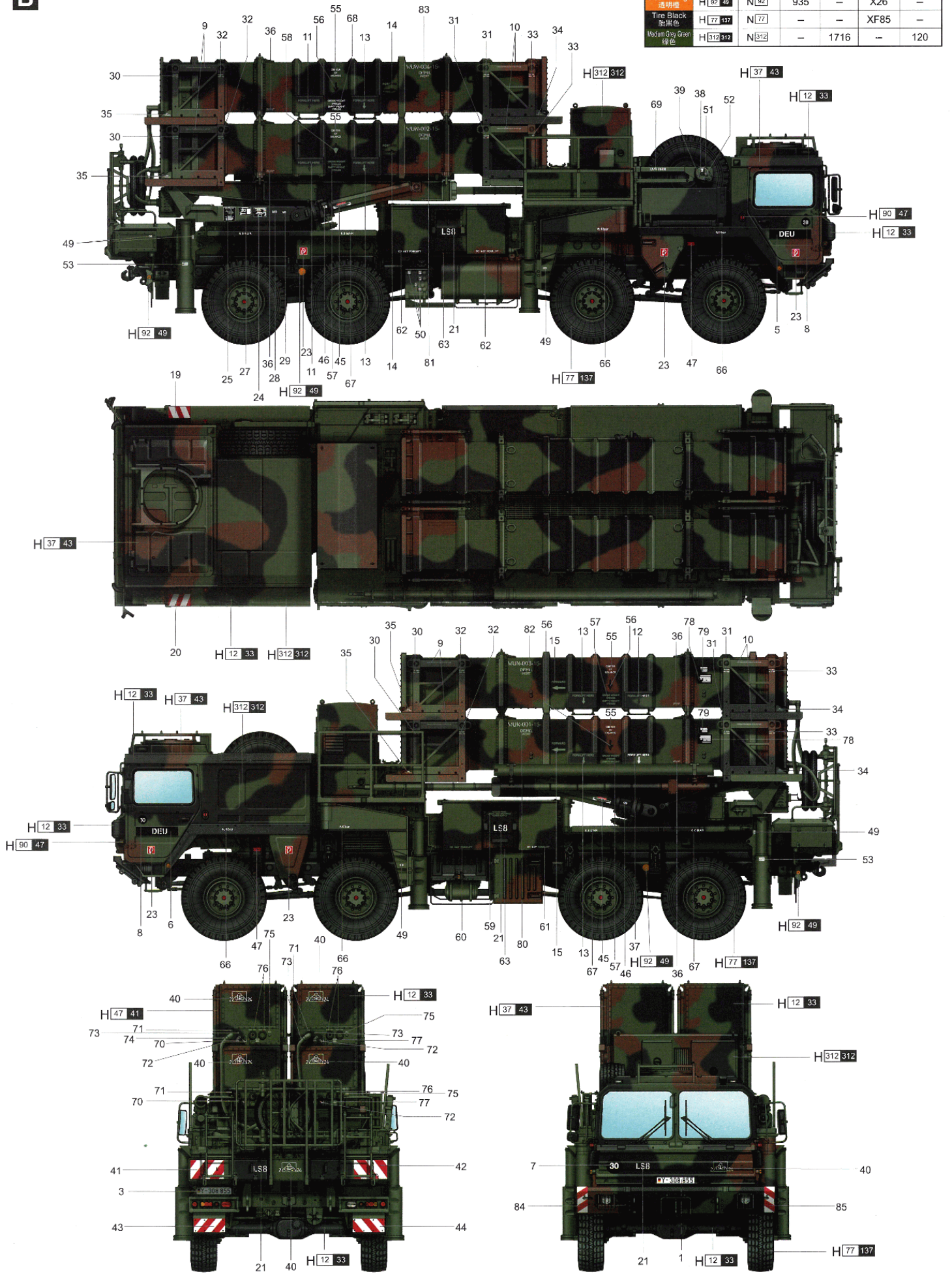
H [X] AQUEOUS HOBBY COLOR    X Mr. COLOR    N [X] ACRYSION COLOR

# 涂装同标贴指示 Painting & Marking guide

**B**

## PAINT REFERENCE COLOR

Color	Mr.Hobby	Acrycion	Vallejo	Model Master	Tamiya	Humbrol
Wood Brown 木棕色	H 37 43	N 37	983	1701	—	186
Frat Black 海光黑	H 12 33	N 12	950	1749	XF1	33
Clear Red 透明红	H 90 47	N 90	934	—	X27	—
Clear Orange 透明橙	H 92 49	N 92	935	—	X26	—
Tire Black 轮胎色	H 77 137	N 77	—	—	XF85	—
Medium Gray Green 绿色	H 312 312	N 312	—	1716	—	120



H [X] AQUEOUS HOBBY COLOR    X Mr. COLOR    N [X] ACRYCION COLOR