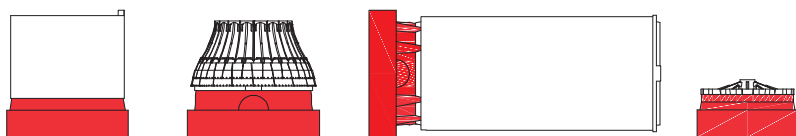
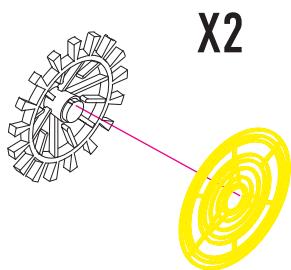


**1**

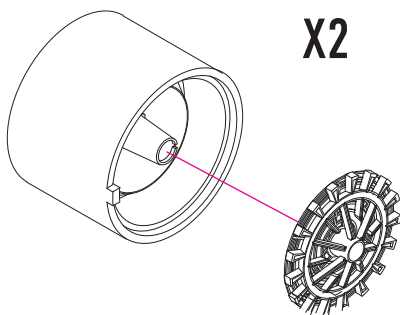


**CUT**

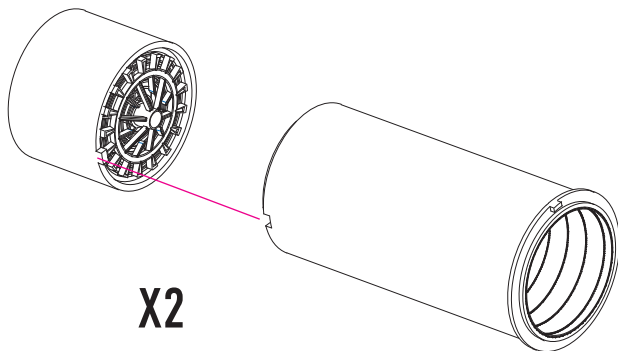
**2**



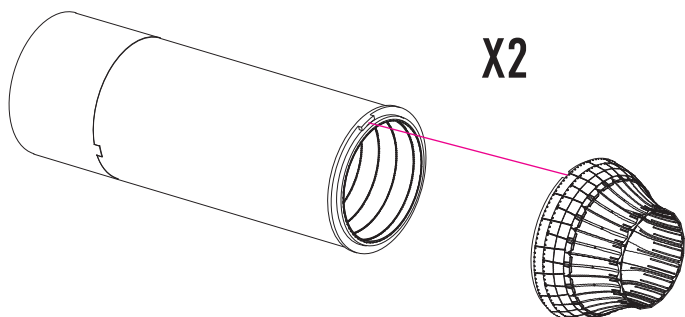
**3**



**4**

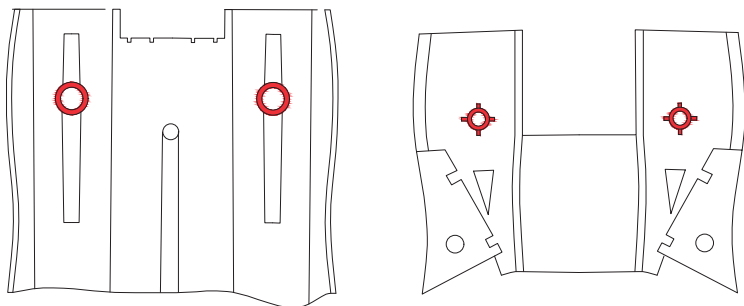


5

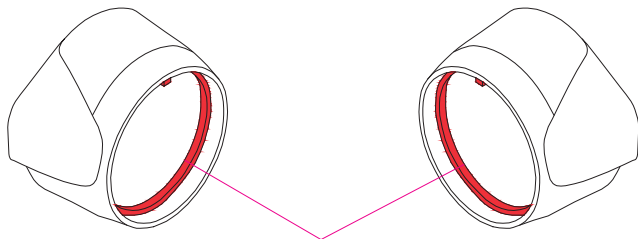


6

Remove from Upper fuselage, Lower fuselage



7



Remove from parts C11, C12