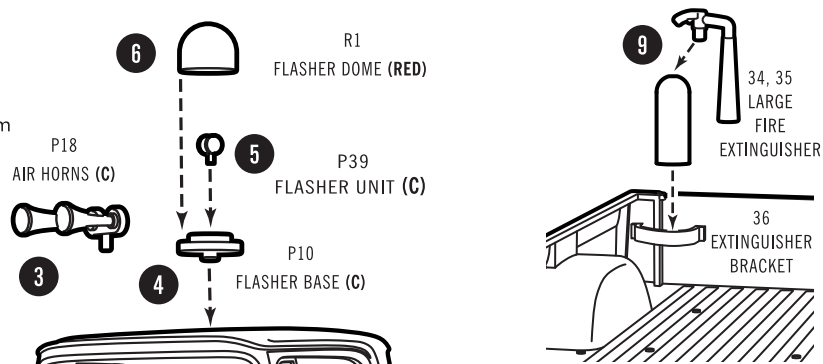
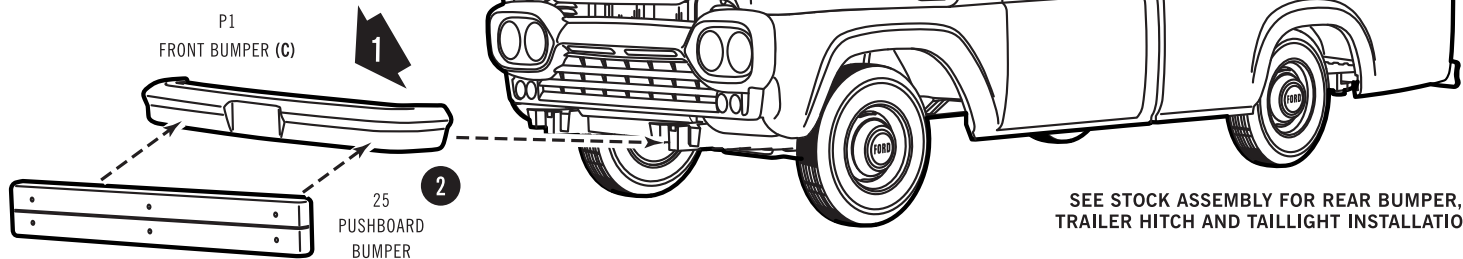


service

NOTE: Open the two holes from inside roof of body in order to install the flasher and horns.

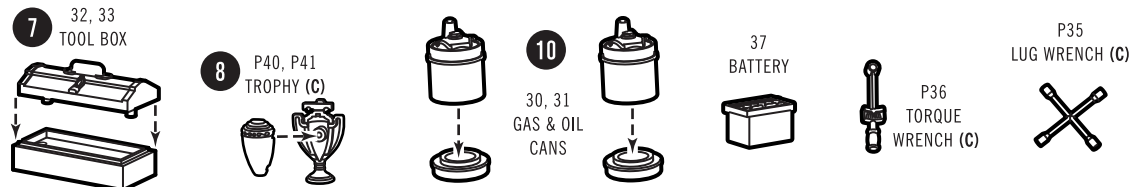


NOTE: Open the two holes from back side of front bumper in order to install the pushboard.



SEE STOCK ASSEMBLY FOR REAR BUMPER, TRAILER HITCH AND TAILLIGHT INSTALLATION

LOCATE ACCESSORIES AS DESIRED



NOTE: Assembly of accessory parts is shown here but they may also be used with stock and custom versions.



A1407-200



1960 FORD F-100 PICKUP TRUCK

READ THIS BEFORE YOU BEGIN

This kit may be built more than one way. Look over this instruction sheet carefully before you begin building. You may decide to combine parts from the different versions shown, or use parts from other AMT kits for a really personalized model. After you've planned your build, follow the assembly instructions and "test-fit" the parts WITHOUT CEMENTING. This will familiarize you with the location of the parts.

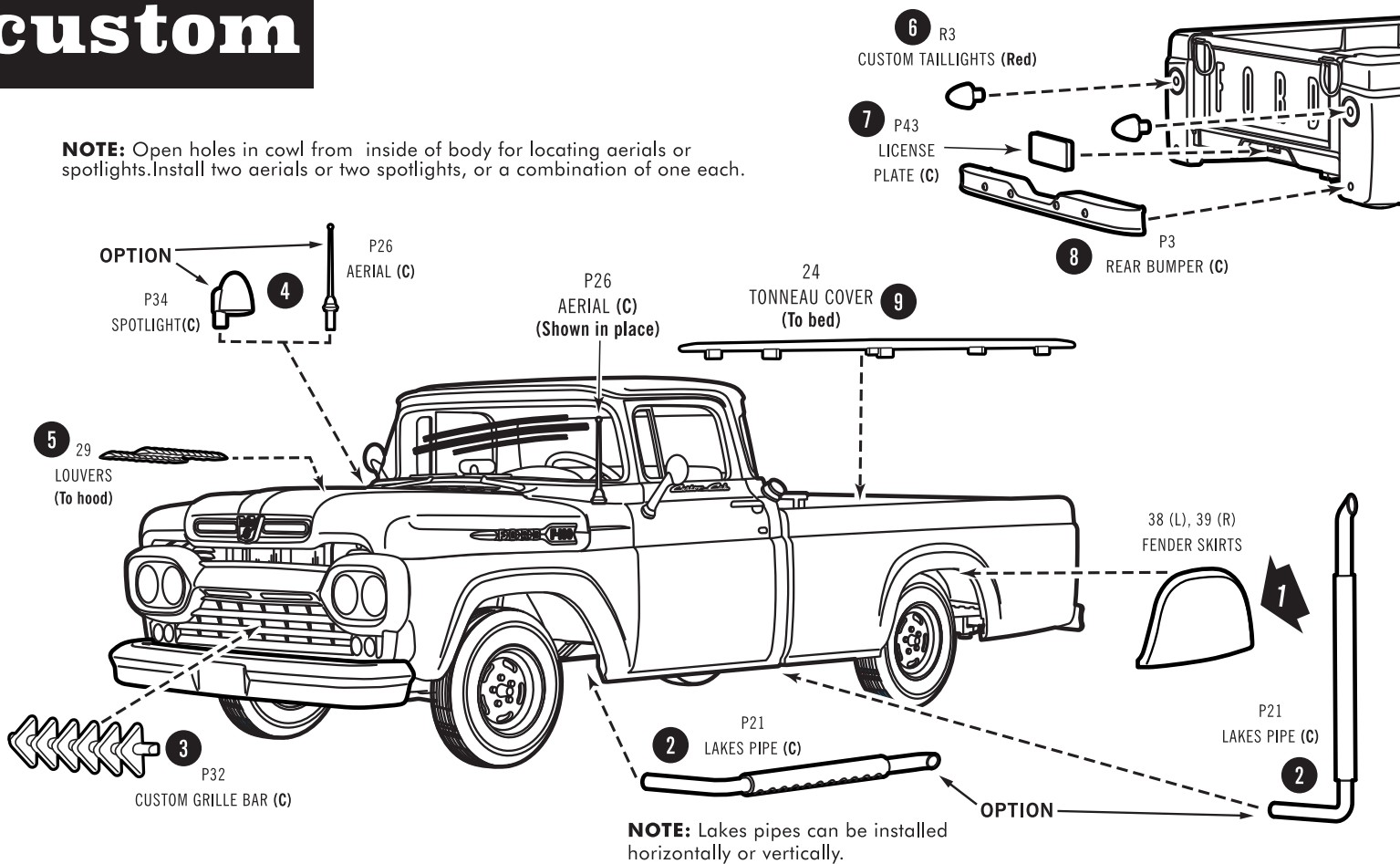
For the neatest job, the various sub-assemblies and components should be painted before any chrome parts are attached. AMT kits are molded from the finest high-impact styrene plastic.

Trim off any excess plastic before cementing parts. Use only paint and cement made for styrene plastic. When attaching CHROME parts (indicated by "C" after part names), scrape plating away where cement is to be applied. Use just enough cement to join parts, and be especially careful not to smear cement on exposed surfaces.

Built according to the instructions on this sheet, you should have no trouble assembling your kit. Just FOLLOW THE CIRCLED NUMBERS which show the order of assembly. Each part also has a part number for locating it on the sprues.

custom

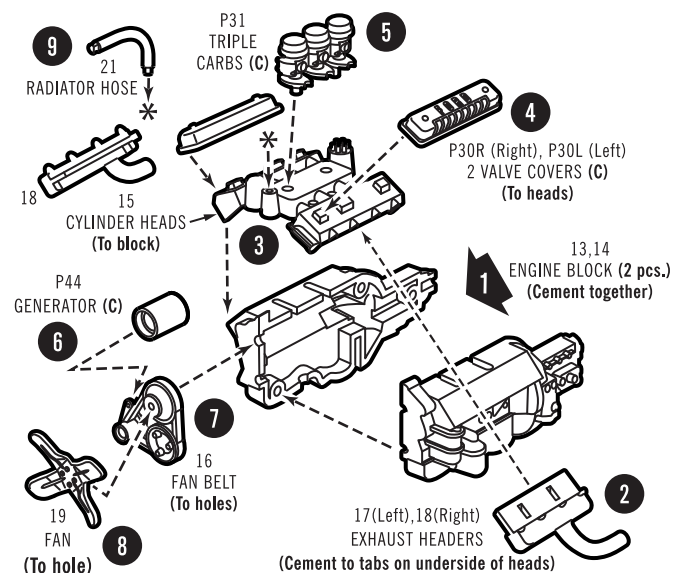
NOTE: Open holes in cowl from inside of body for locating aeriels or spotlights. Install two aeriels or two spotlights, or a combination of one each.



NOTE: Lakes pipes can be installed horizontally or vertically.

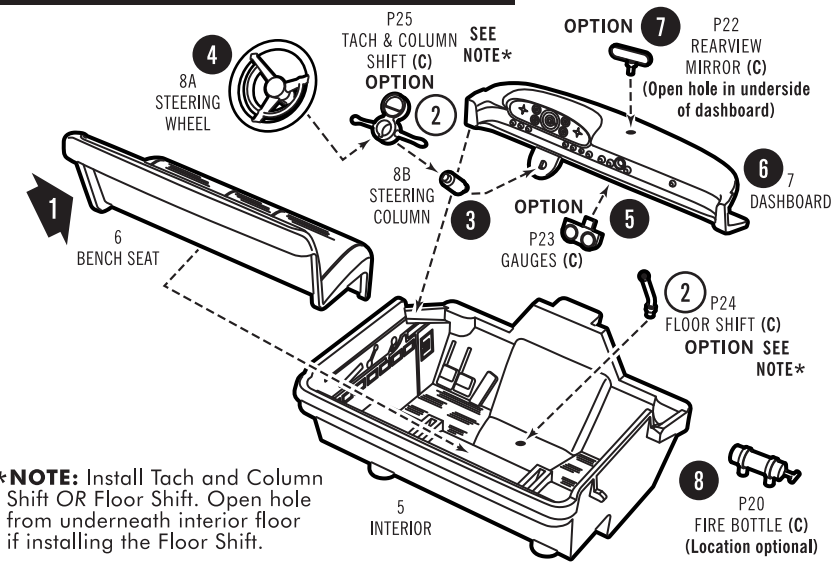
1. engine

***NOTE:** Rad hose shown for location only. Install in final assembly.



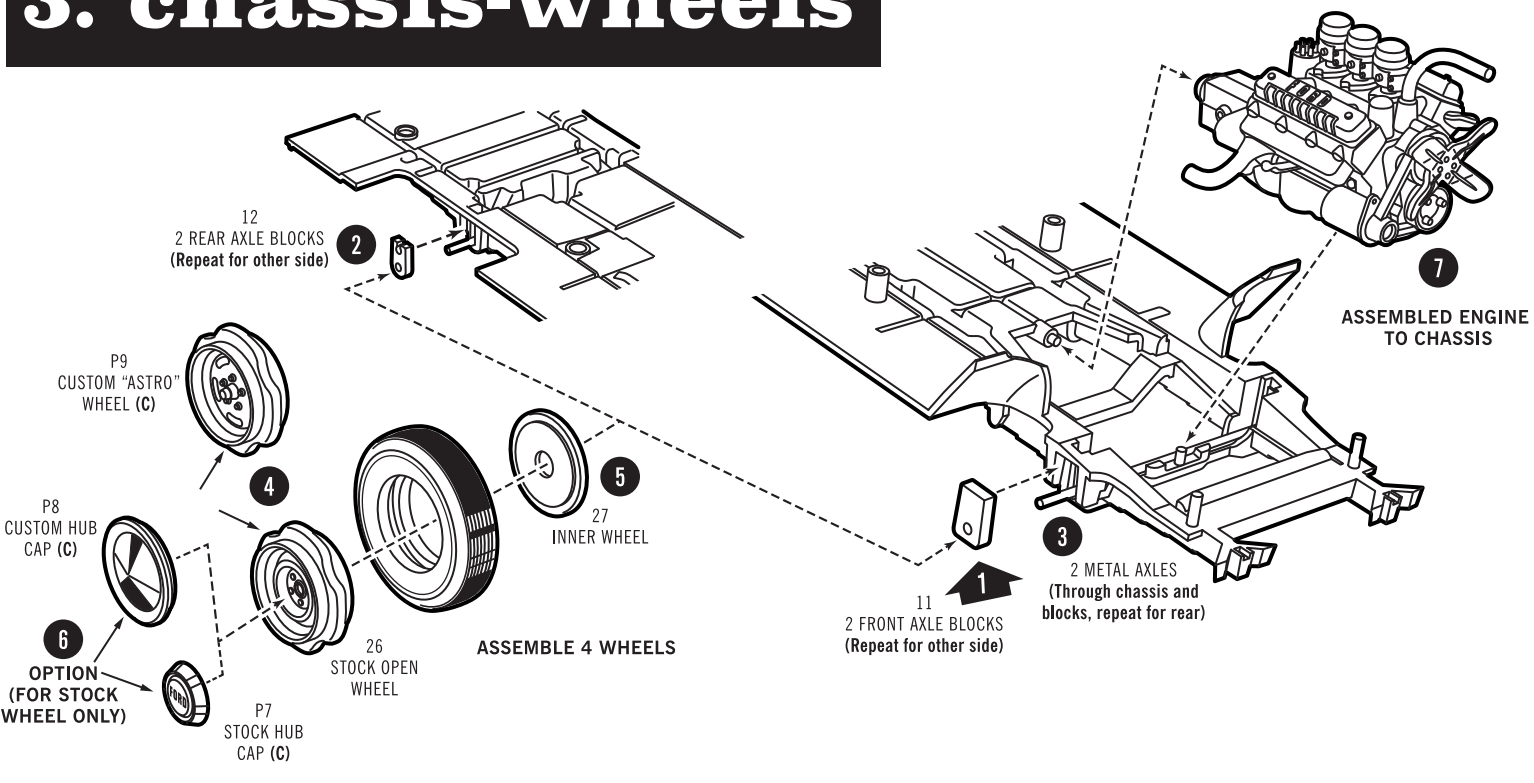
2. interior

NOTE: Rearview mirror can be installed on dash or in roof of cab. See assembly section 4.

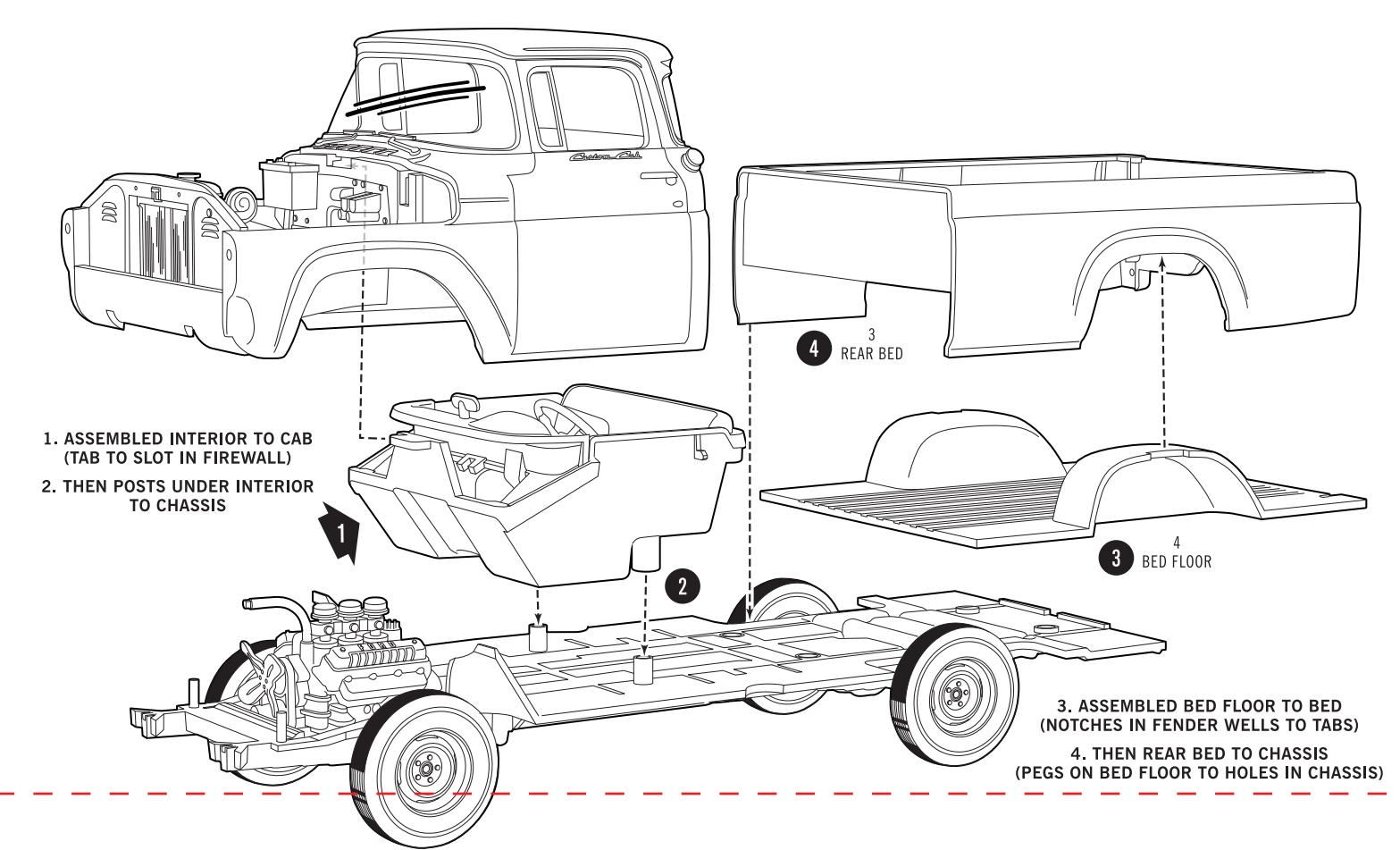


***NOTE:** Install Tach and Column Shift OR Floor Shift. Open hole from underneath interior floor if installing the Floor Shift.

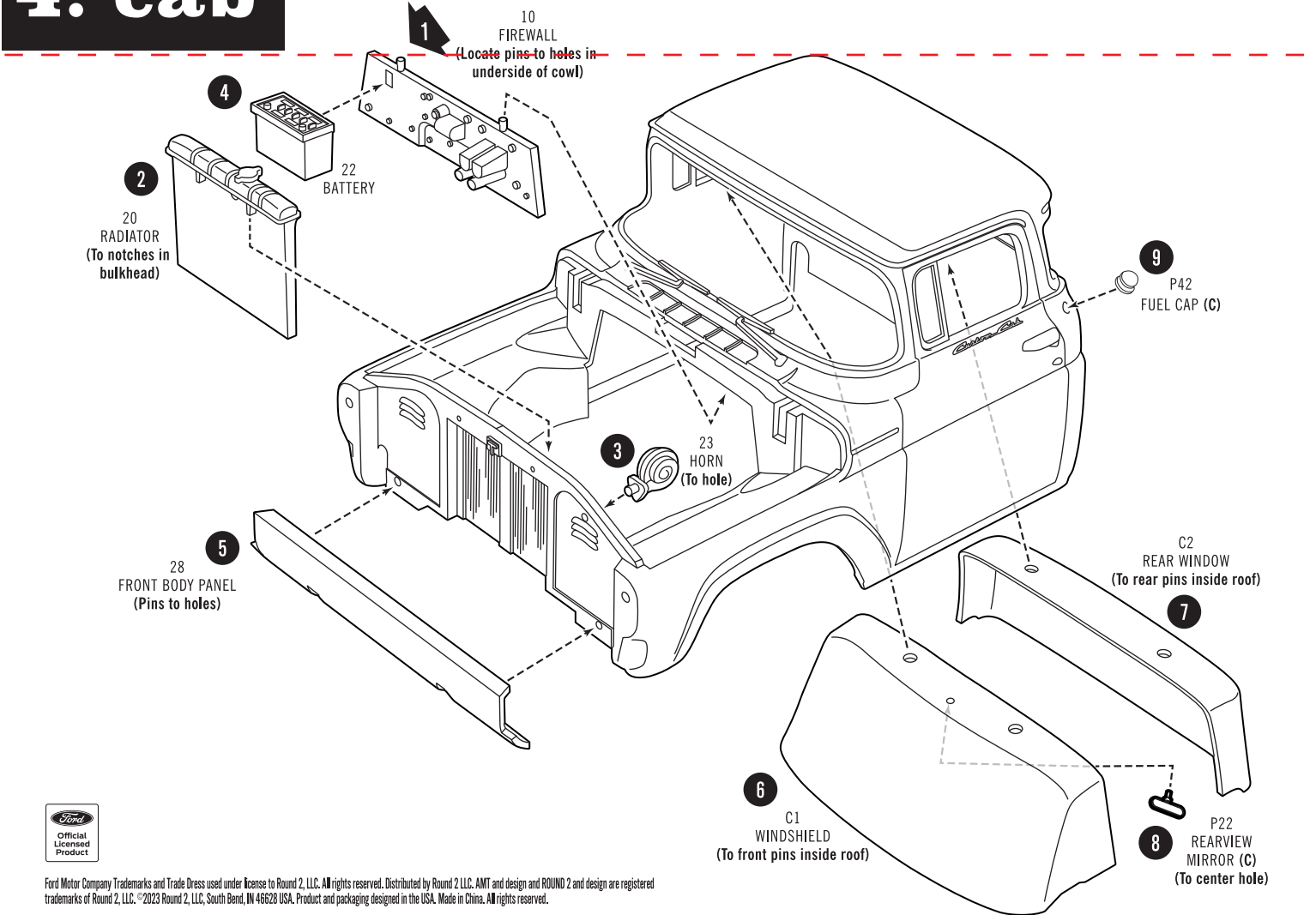
3. chassis-wheels



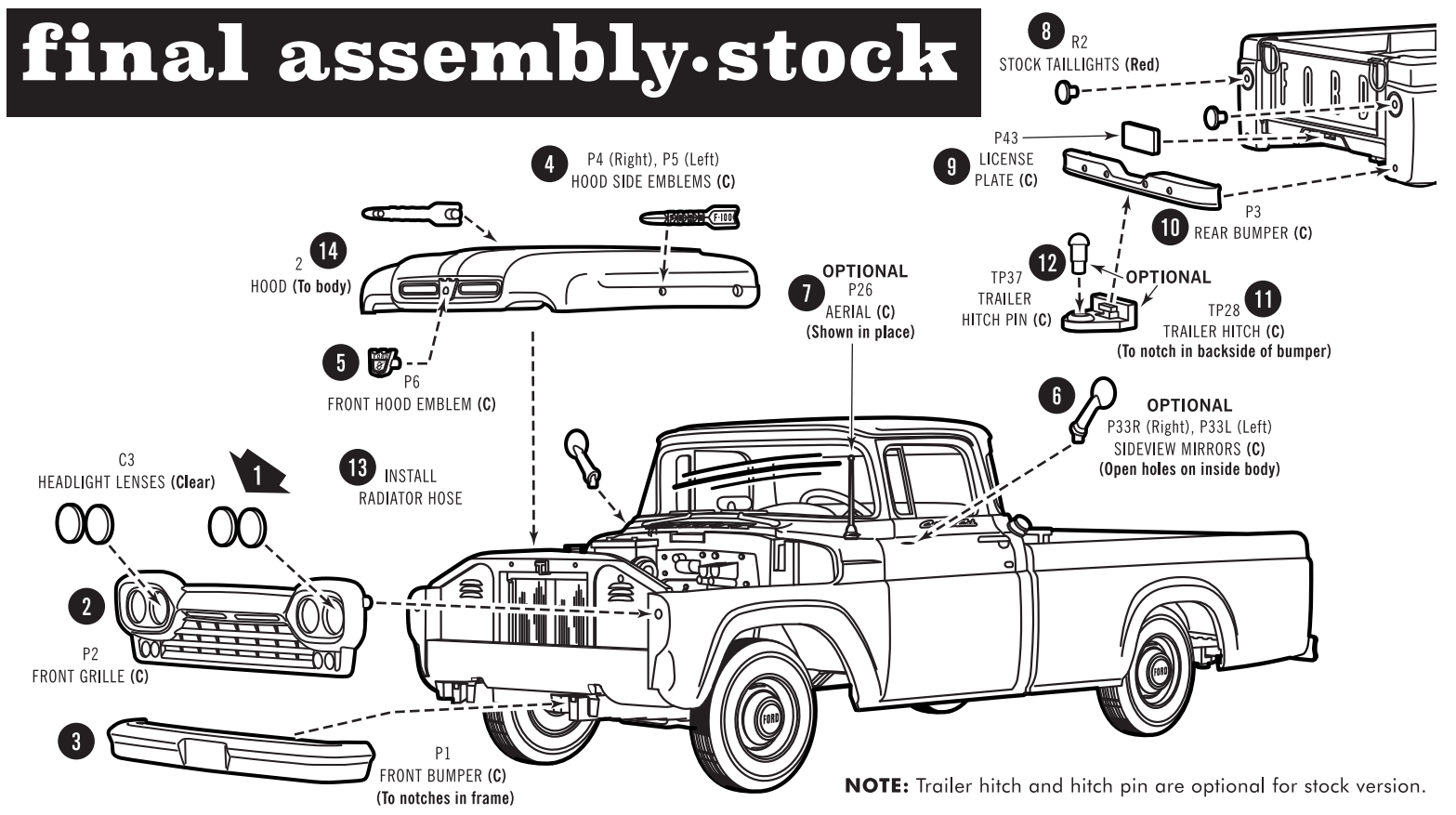
5. body/interior to chassis



4. cab



final assembly-stock



NOTE: Trailer hitch and hitch pin are optional for stock version.



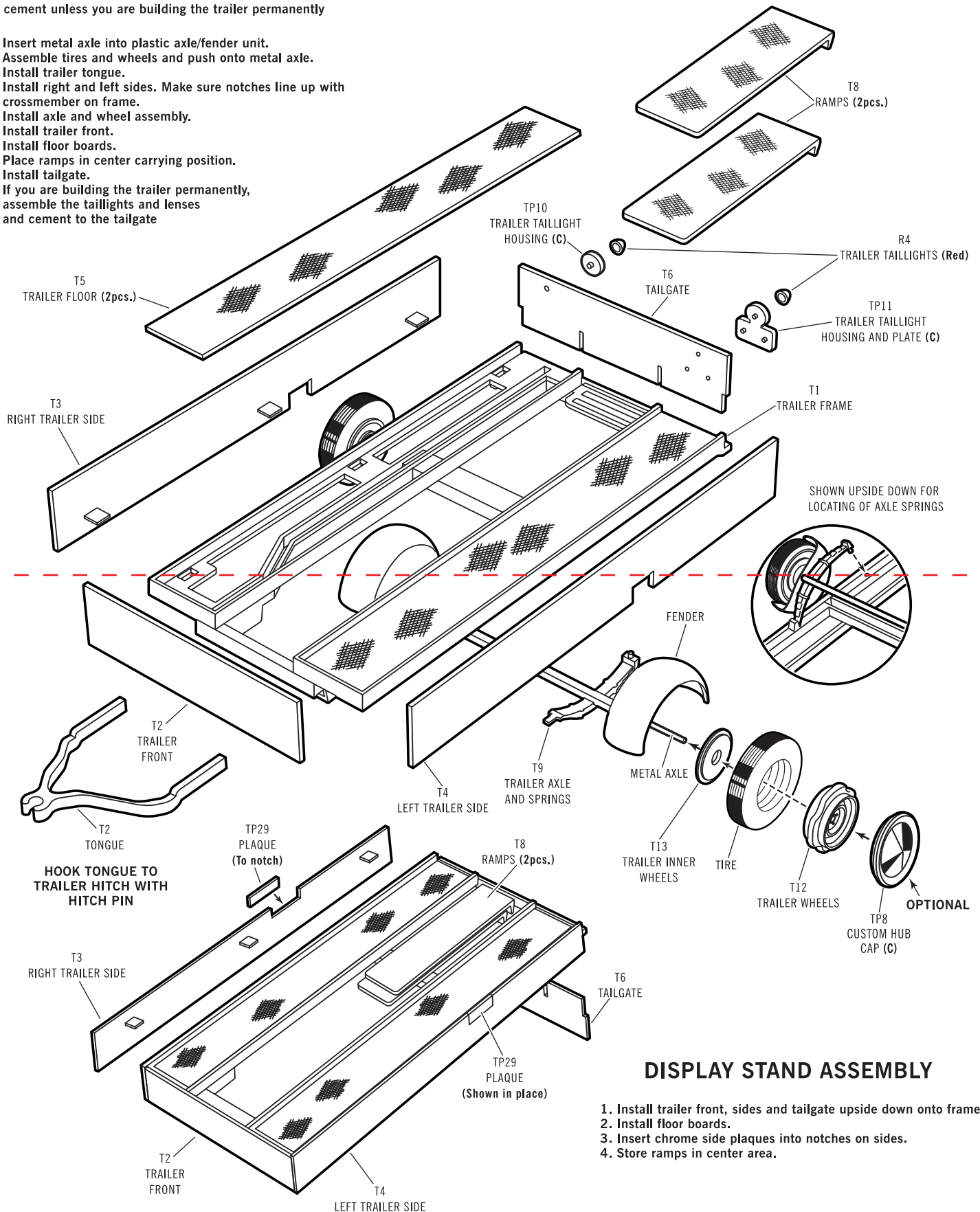
Ford Motor Company Trademarks and Trade Dress used under license to Round 2, LLC. All rights reserved. Distributed by Round 2, LLC. AMT and design and ROUND 2 and design are registered trademarks of Round 2, LLC. ©2023 Round 2, LLC, South Bend, IN 46628 USA. Product and packaging designed in the USA. Made in China. All rights reserved.

trailer/display base

TRAILER ASSEMBLY

Do not cement unless you are building the trailer permanently

1. Insert metal axle into plastic axle/fender unit.
2. Assemble tires and wheels and push onto metal axle.
3. Install trailer tongue.
4. Install right and left sides. Make sure notches line up with crossmember on frame.
5. Install axle and wheel assembly.
6. Install trailer front.
7. Install floor boards.
8. Place ramps in center carrying position.
9. Install tailgate.
10. If you are building the trailer permanently, assemble the taillights and lenses and cement to the tailgate



DISPLAY STAND ASSEMBLY

1. Install trailer front, sides and tailgate upside down onto frame.
2. Install floor boards.
3. Insert chrome side plaques into notches on sides.
4. Store ramps in center area.