

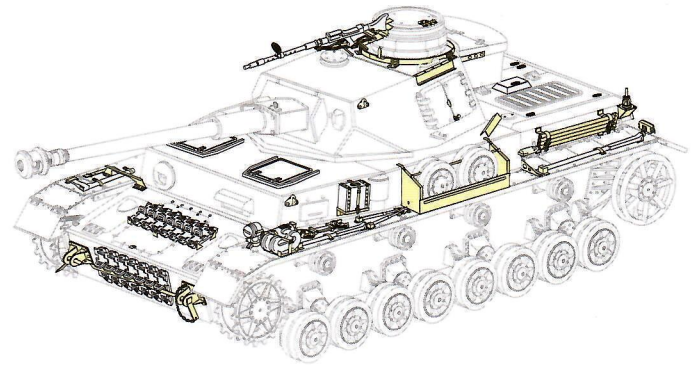
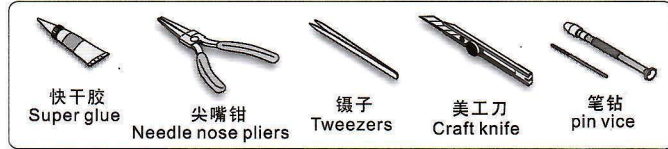
1/35 MILITARY MINIATURE VEHICLE UPGRADE SERIES PE 35211

WWII German Pz.Kpfw.IV Ausf.J

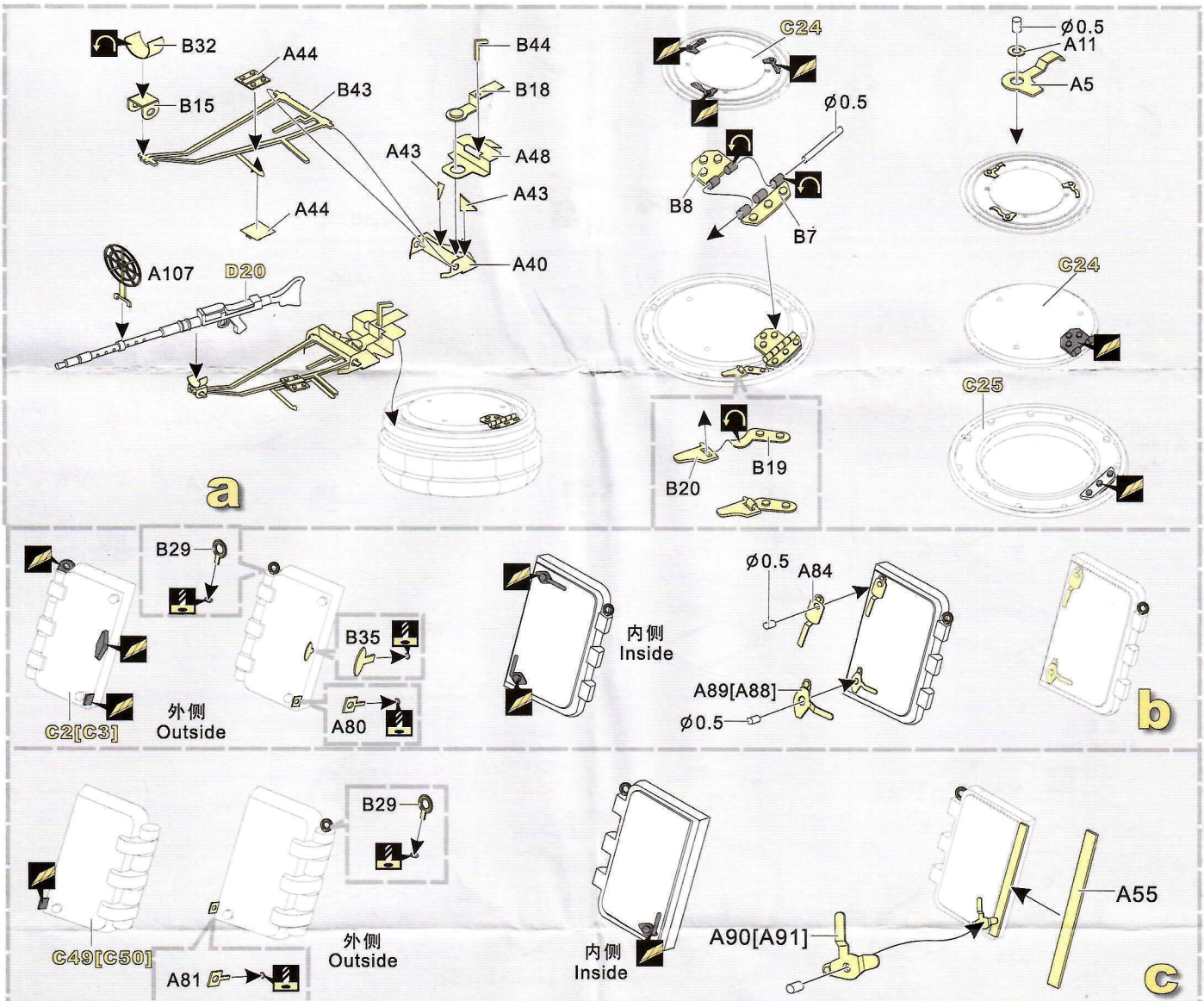
二战德军IV号坦克J型改造件

[For Tamiya 35181]

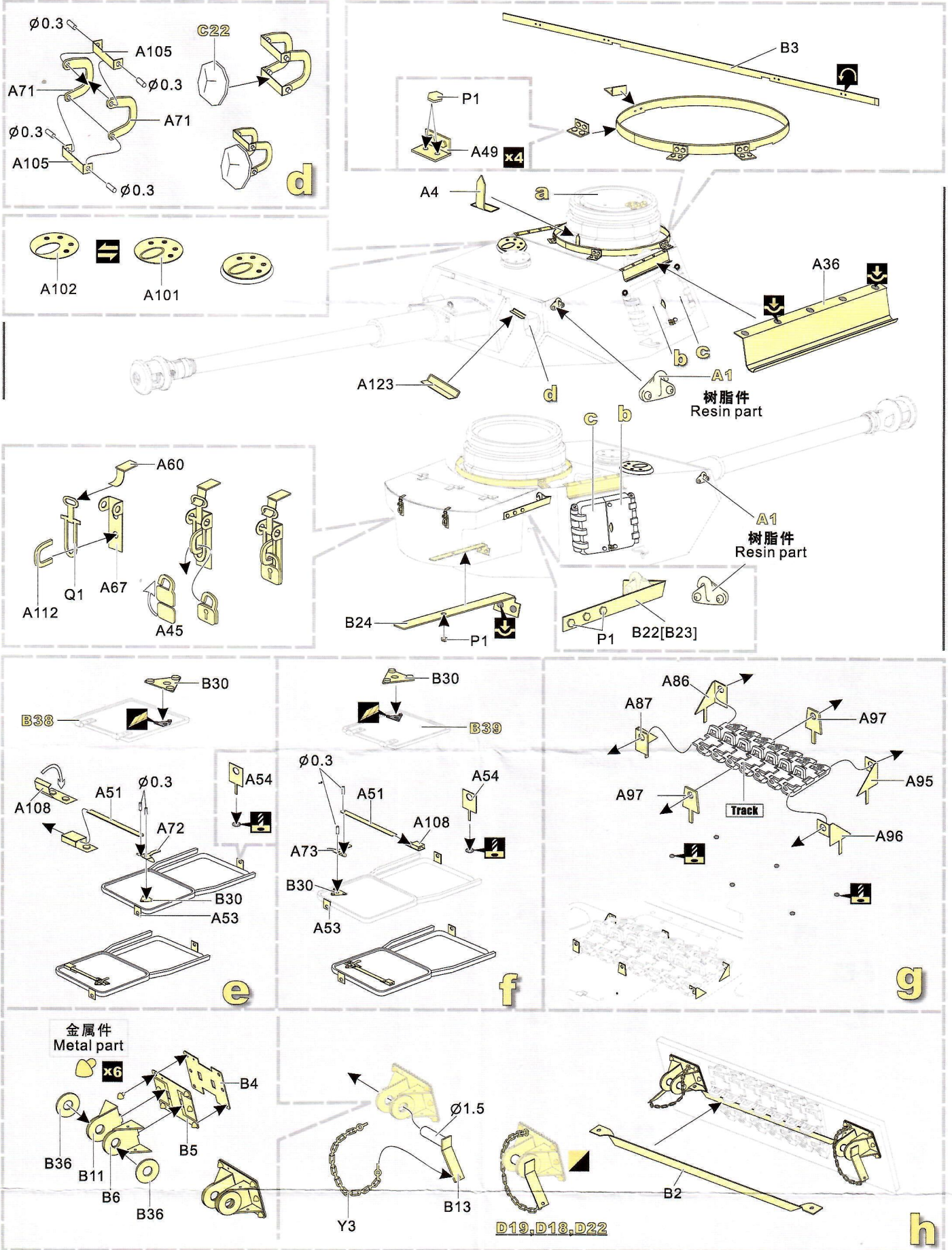
推荐使用工具 RECOMMENDED TOOLS



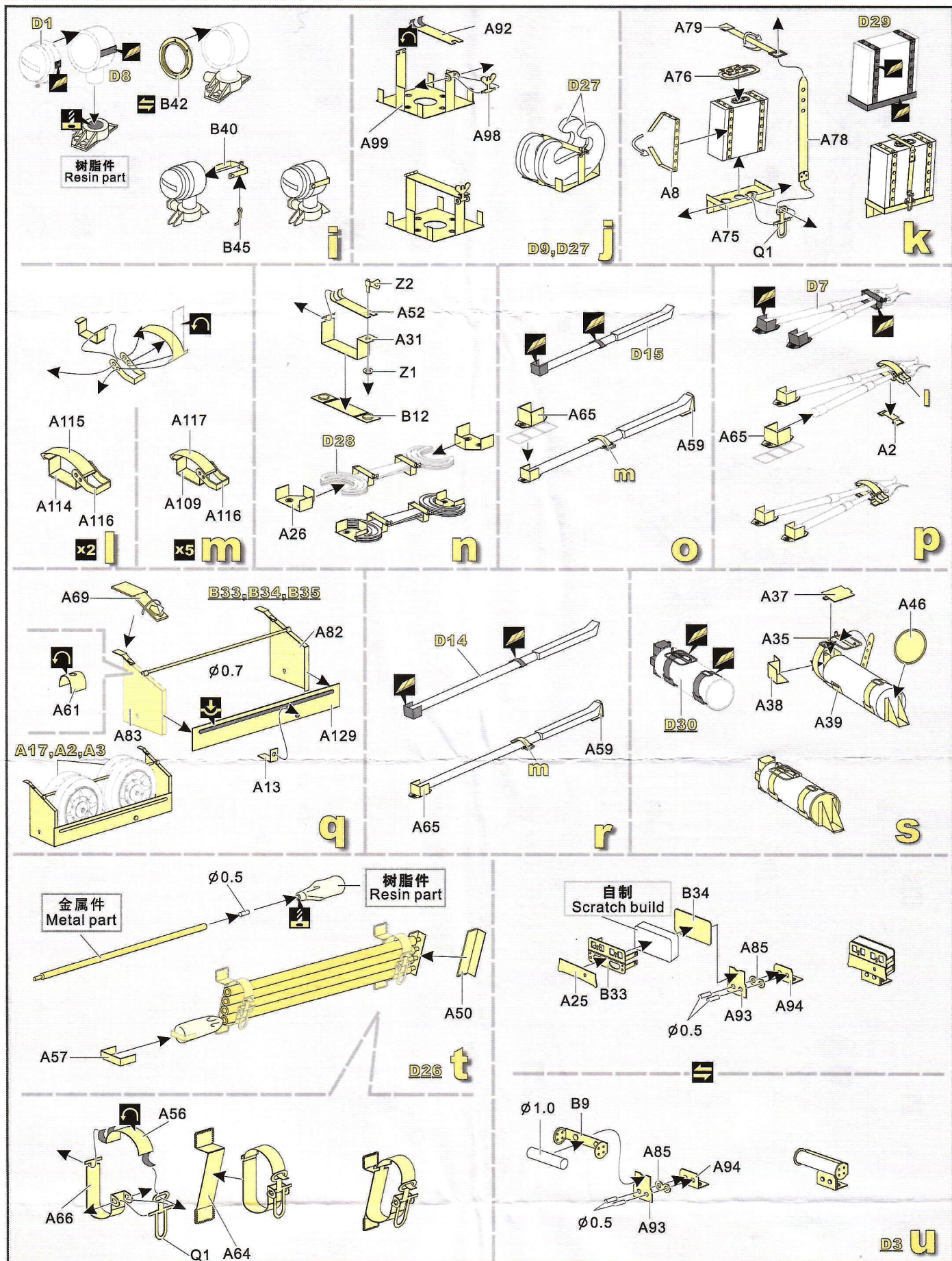
- 
安装
install
- 
折叠
bend
- A1**
 改造件零件编号
PE/resin part number
- B12**
 原零件编号
kit part number
- G22**
 被替换的原零件编号
replaced kit part number
- x2**
 制作若干组
multiple assembly
- 
弧度卷曲
radial bending
- 
选择安装
alternative
- 
切除
remove
- 
钻孔
drill
- 
注意
caution
- 
另一侧相同制作
repeat on opposite side
- 
烙刻片零件内侧面
PE part inboard side turn up
- 
圆珠笔
Ballpen
- 
用尖端在凹槽处冲压
use penpoint to press on the dent
- 
打磨
grind off
- 
用铜管制作
make from brass tube
- 
用胶棒制作
make from plastic rod
- 
用笔尖在凹槽处刮
Use penpoint scratch on the flute



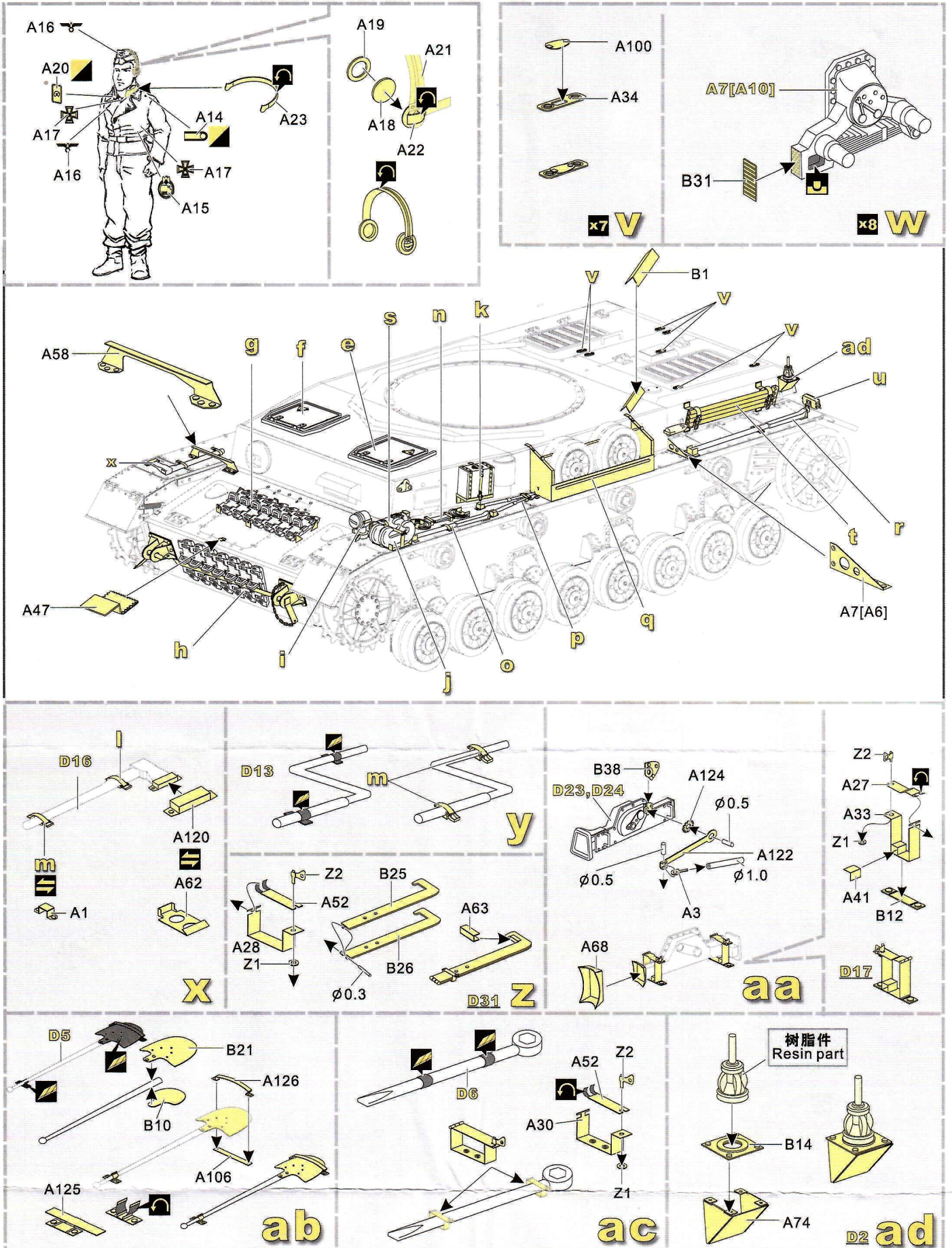
1/35 MILITARY MINIATURE VEHICLE UPGRADE SERIES PE35211



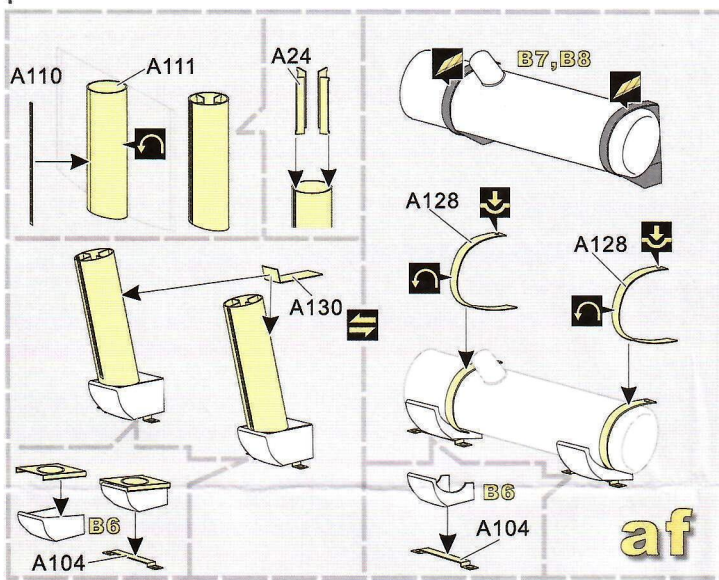
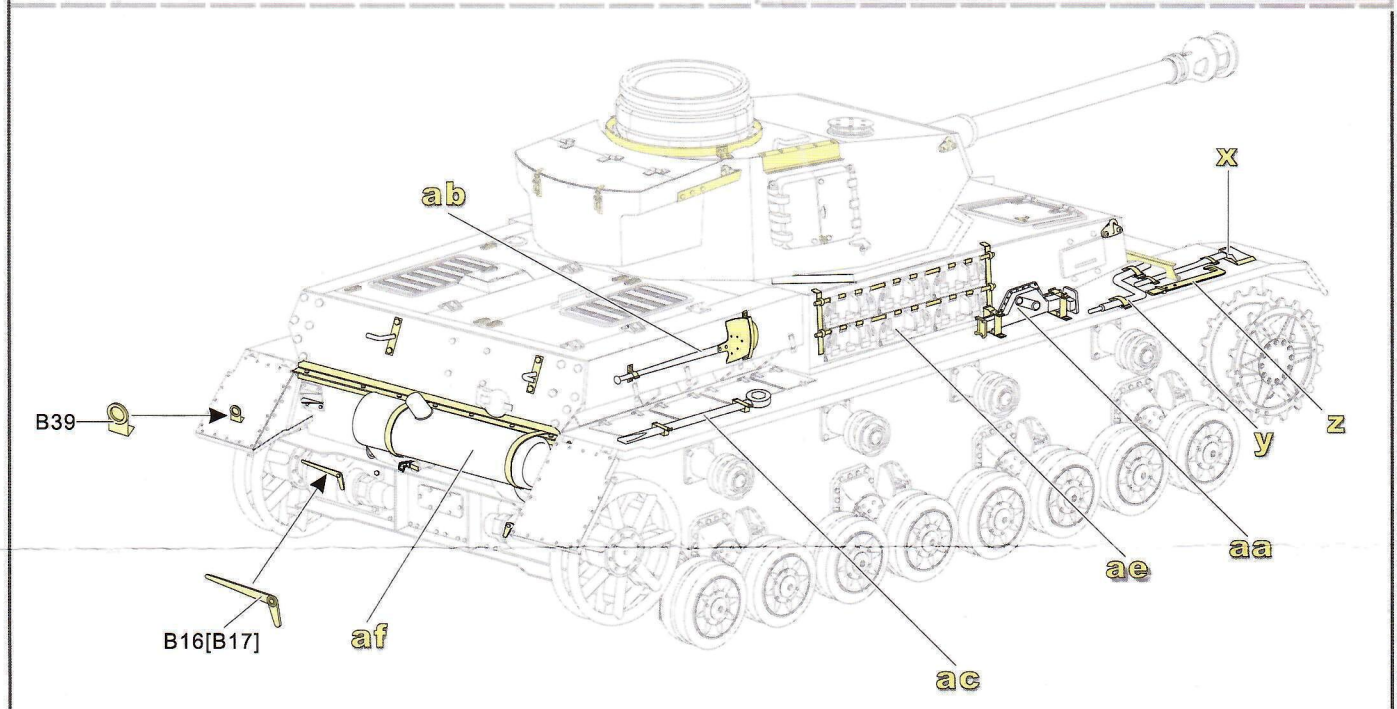
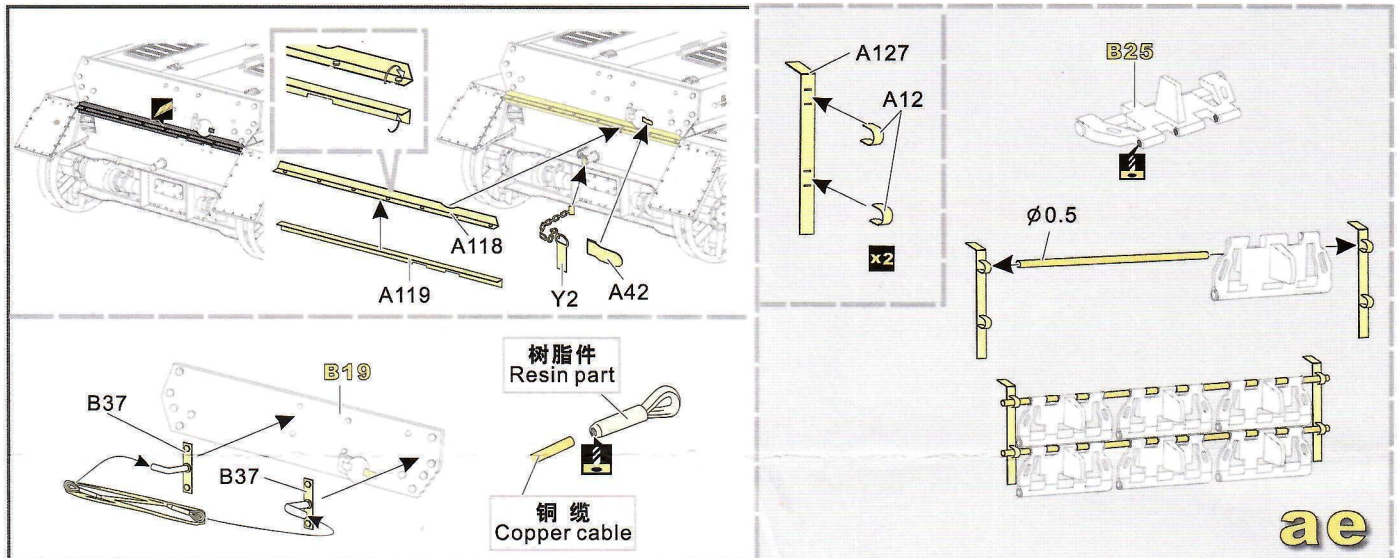
1/35 MILITARY MINIATURE VEHICLE UPGRADE SERIES PE35211



1/35 MILITARY MINIATURE VEHICLE UPGRADE SERIES PE35211



1/35 MILITARY MINIATURE VEHICLE UPGRADE SERIES PE35211



VOYAGERMODEL[®] 无微不至 精益求精

Recommended item

PE 35145	WWII German Pz.Kpfw.IV Ausf.F1/H Fenders
PEA 052	WWII German Pz.Kpfw.IV Stowage Bin (for Ausf.E-J)
PEA 163	WWII German Pz.Kpfw.IV Ausf.H late Production/Ausf.J Turret Armour
PEA 164	WWII German Panzer.IV Ausf.J "Thoma shields" wire mesh schürzen
PEA 165	WWII German Panzer.IV Ausf.H/J schürzen
VBS0129	WWII German Panzer IV Ausf H/J .L/48 75mm Barrel w/Mantlet Pattern 1
VBS0130	WWII German Panzer IV Ausf H/J .L/48 75mm Barrel w/Mantlet Pattern 2
VBS0131	WWII German Panzer IV Ausf H/J. L/48 75mm Barrel w/Mantlet Pattern 3