

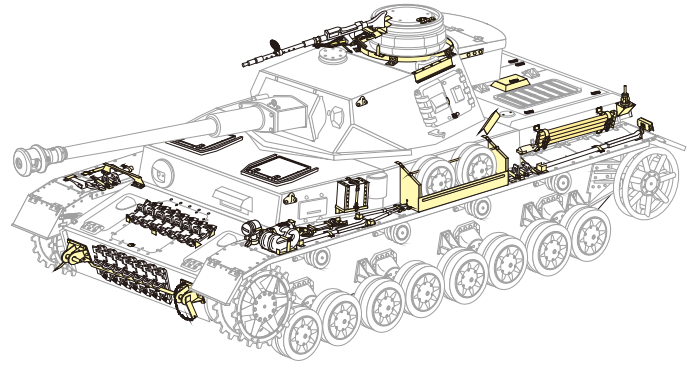
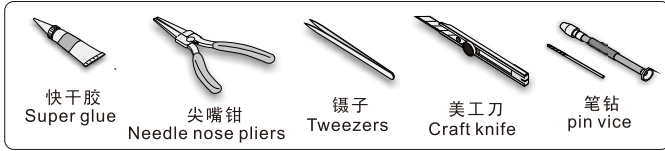
1/35 MILITARY MINIATURE VEHICLE UPGRADE SERIES PE 35210

WWII German Pz.Kpfw.IV Ausf.H

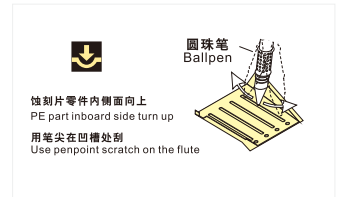
二战德军IV号坦克H型改造件

[For Tamiya 35209]

推荐使用工具 RECOMMENDED TOOLS



↑ 安装 install	↩ 折叠 bend	A1 改造件零件编号 PE/resin part number	B12 原零件编号 kit part number	C22 被替换的原零件编号 replaced kit part number	x2 制作若干组 multiple assembly
↪ 弧度卷曲 radial bending	↔ 选择安装 alternative	✂ 切除 remove	⚡ 钻孔 drill	⚠ 注意 caution	↔ 另一侧相同制作 repeat on opposite side
⬇ 用尖端在凹槽处冲压 use penpoint to press on the dent	⬇ 打磨 grind off	⬇ 用铜管制作 make from brass tube	⬇ 用胶棒制作 make from plastic rod		

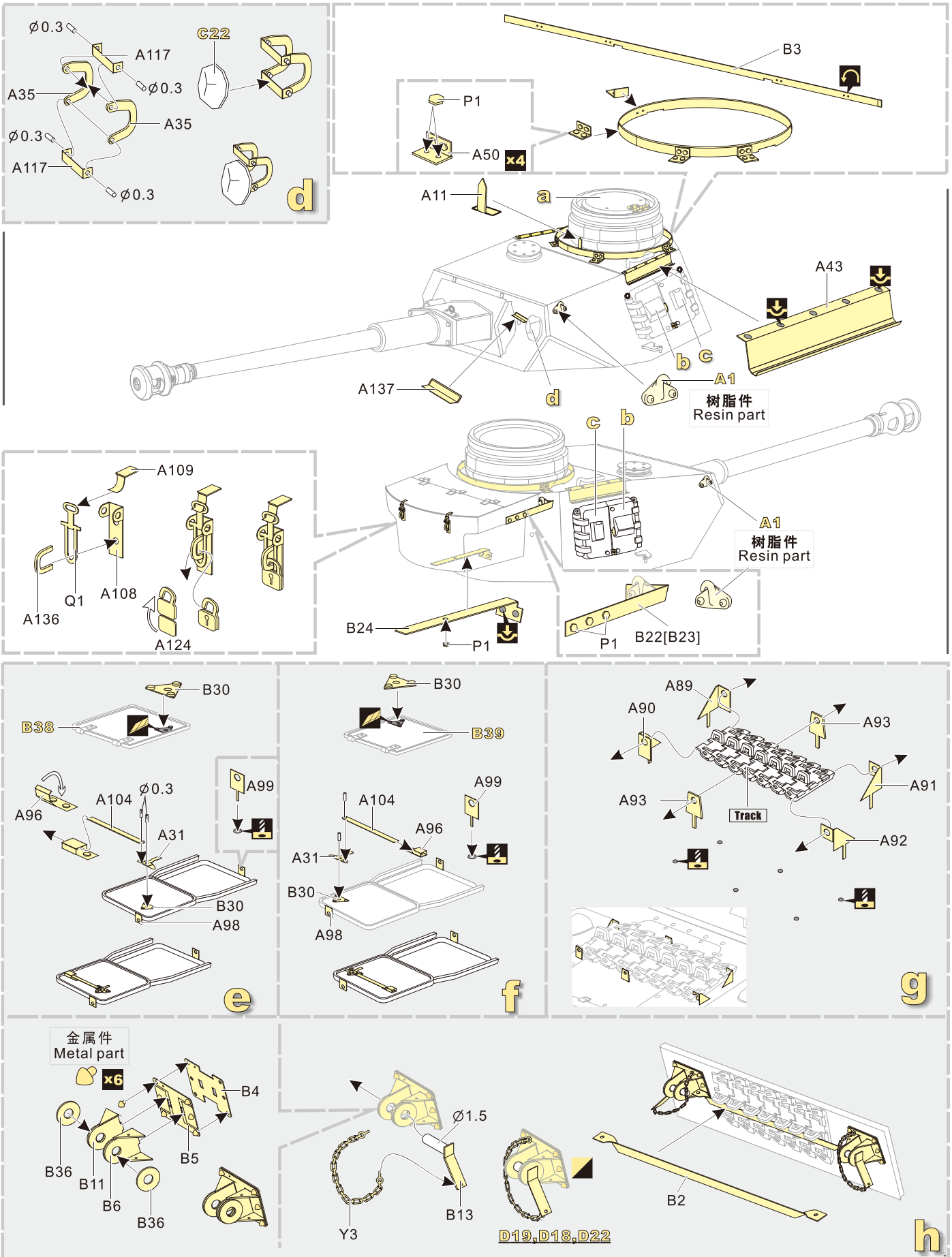


a

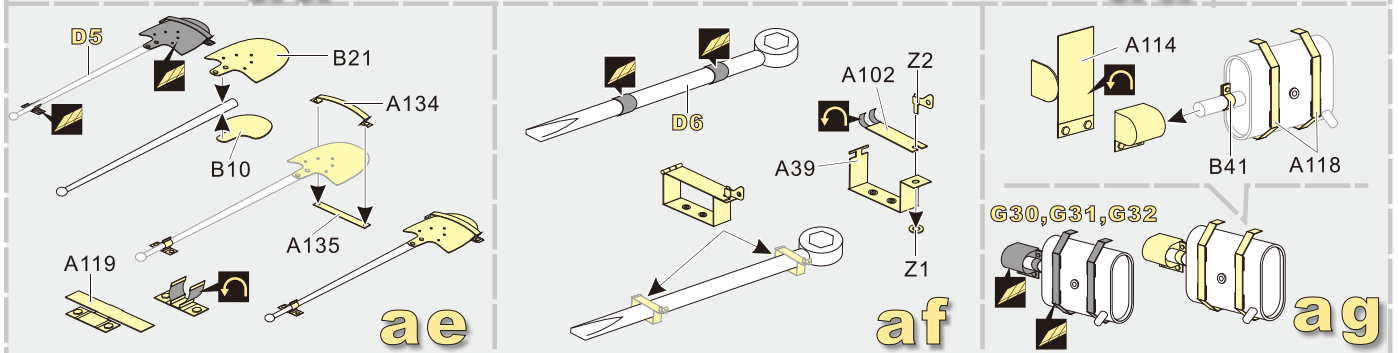
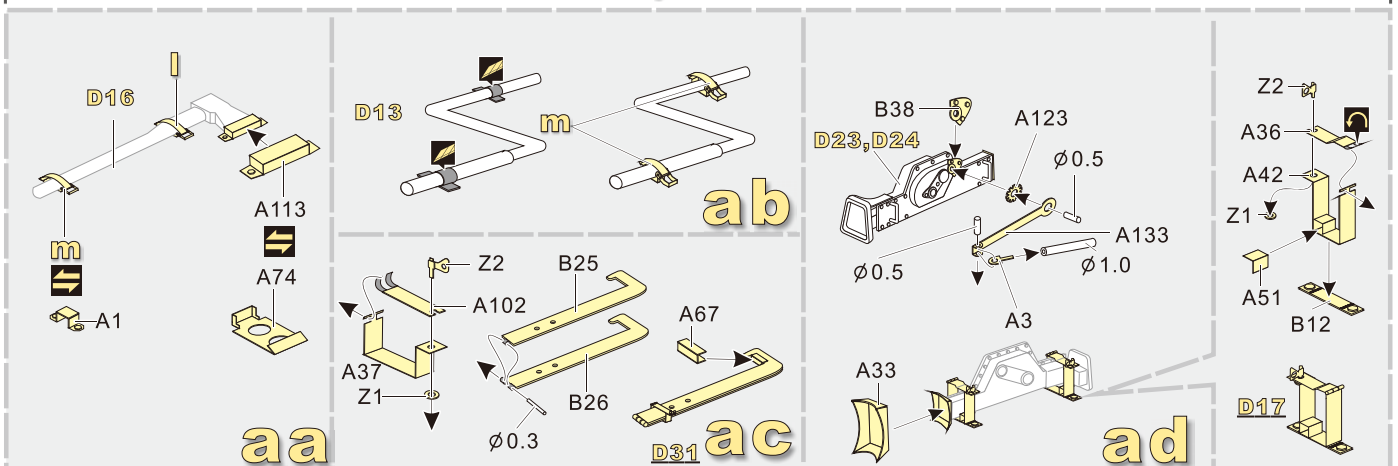
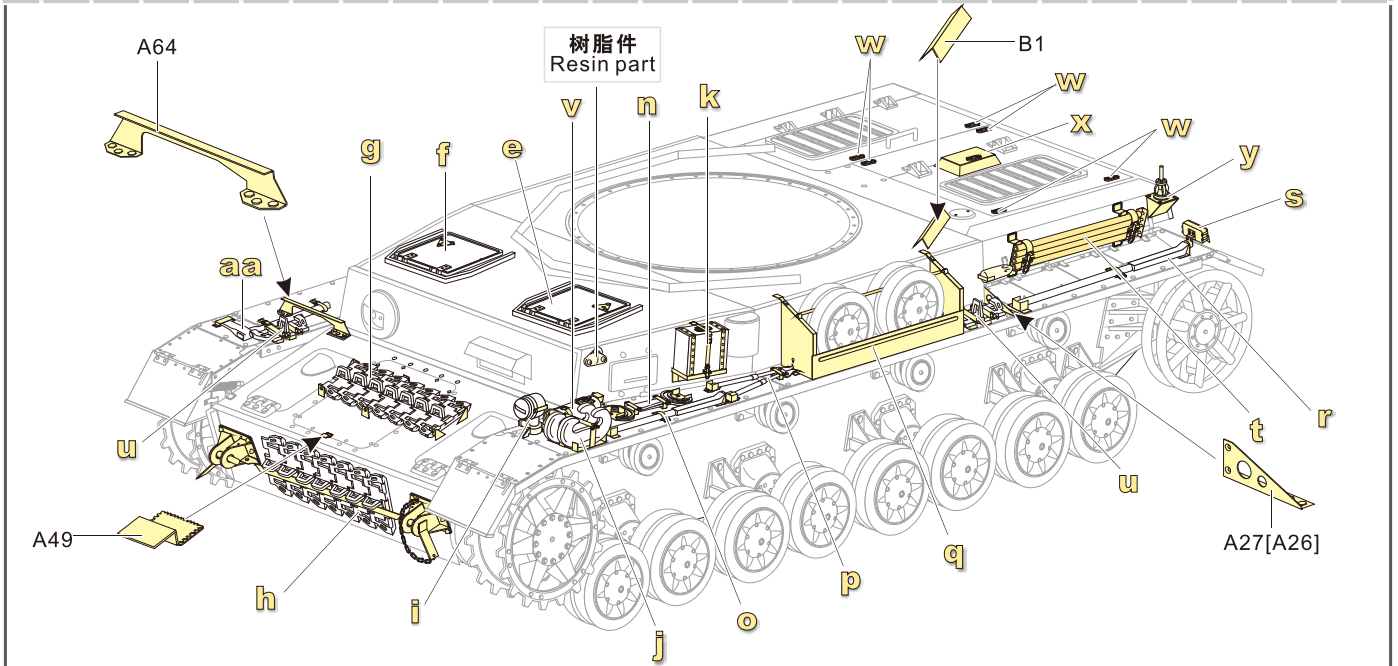
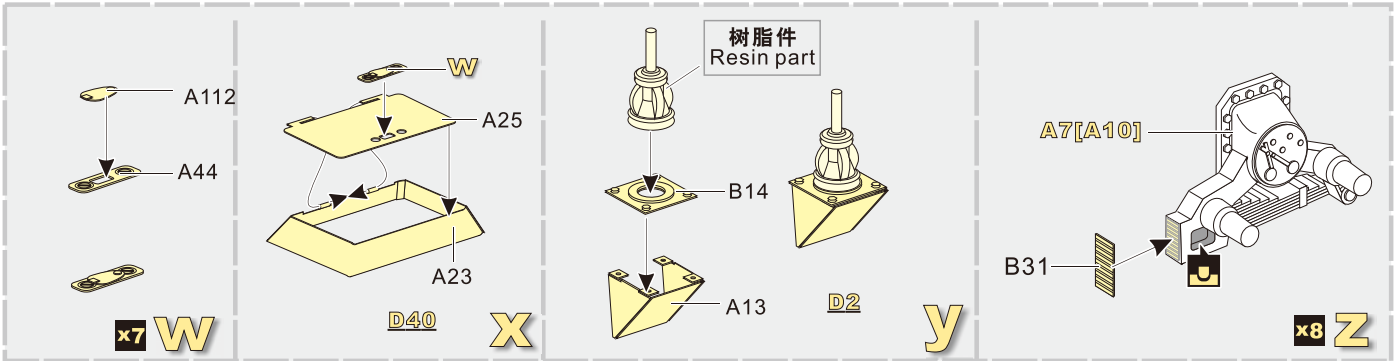
b

c

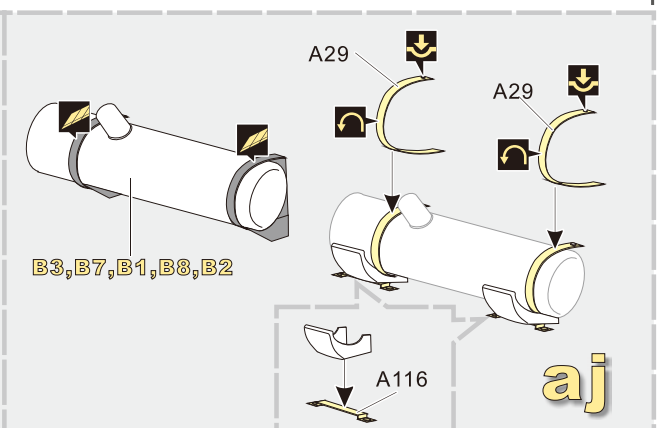
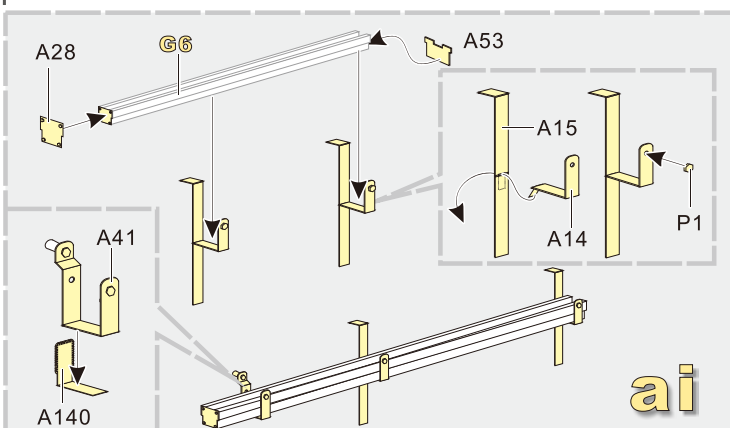
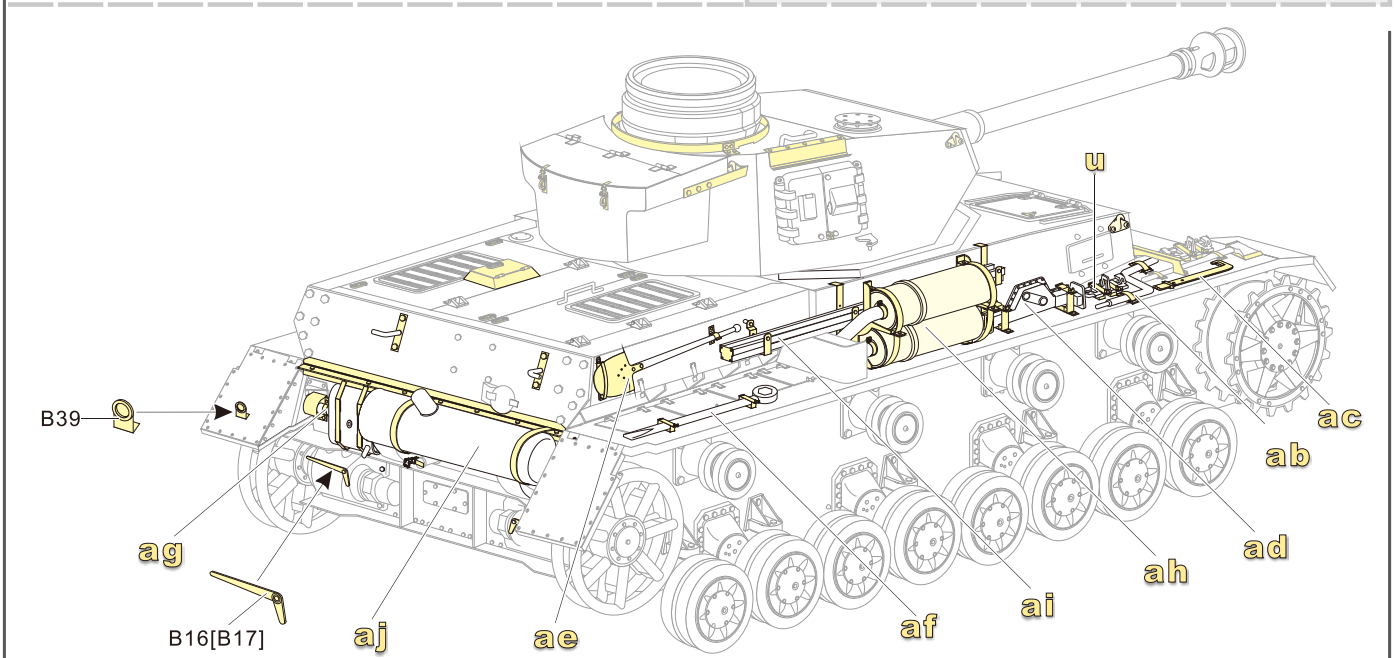
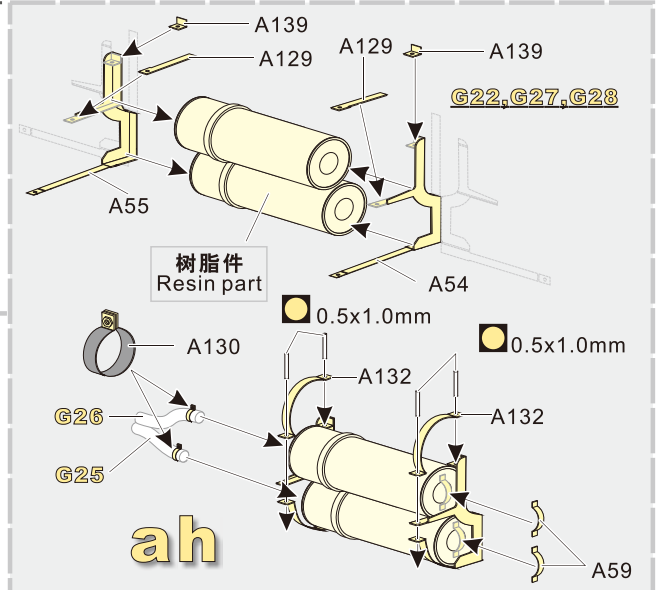
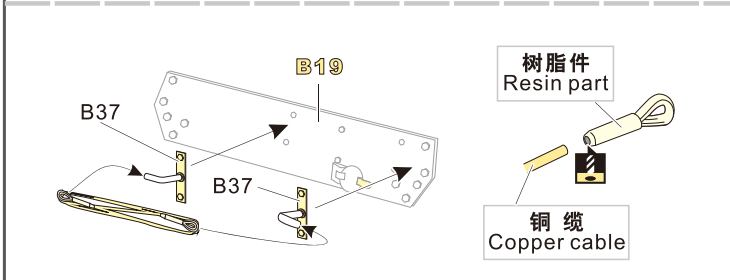
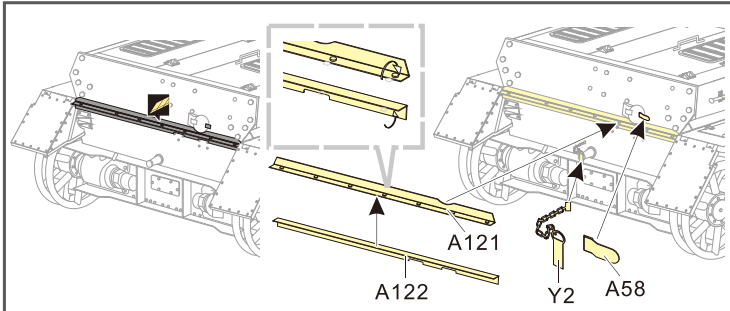
1/35 MILITARY MINIATURE VEHICLE UPGRADE SERIES PE35210



1/35 MILITARY MINIATURE VEHICLE UPGRADE SERIES PE35210



1/35 MILITARY MINIATURE VEHICLE UPGRADE SERIES PE35210



VOYAGERMODEL[®] 无微不至 极尽享受

Recommended item

PE 35145	WWII German Pz.Kpfw.IV Ausf.F1/H Fenders
PEA 090	WWII German Pz.Kpfw.IV Ausf.G late Production/Ausf.H early Production Turret Armour

PEA 052	WWII German Pz.Kpfw.IV Stowage Bin (for Ausf.E-J)
PEA 163	WWII German Pz.Kpfw.IV Ausf.H late Production/Ausf.J Turret Armour
PEA 165	WWII German Panzer.IV Ausf.H/J schürzen
VBS0129	WWII German Panzer IV Ausf H/J .L/48 75mm Barrel w/Mantlet Pattern 1
VBS0130	WWII German Panzer IV Ausf H/J .L/48 75mm Barrel w/Mantlet Pattern 2
VBS0131	WWII German Panzer IV Ausf H/J .L/48 75mm Barrel w/Mantlet Pattern 3